

Installation Plan
Tumble dryer



PT 8507 EL (Electrically heated)

U.S.A.

Miele, Inc.

National Headquarters

9 Independence Way
Princeton, NJ 08540

Phone: 800-991-9380

Fax: 609-419-4241

www.mieleusa.com

Technical Service & Support

Nationwide

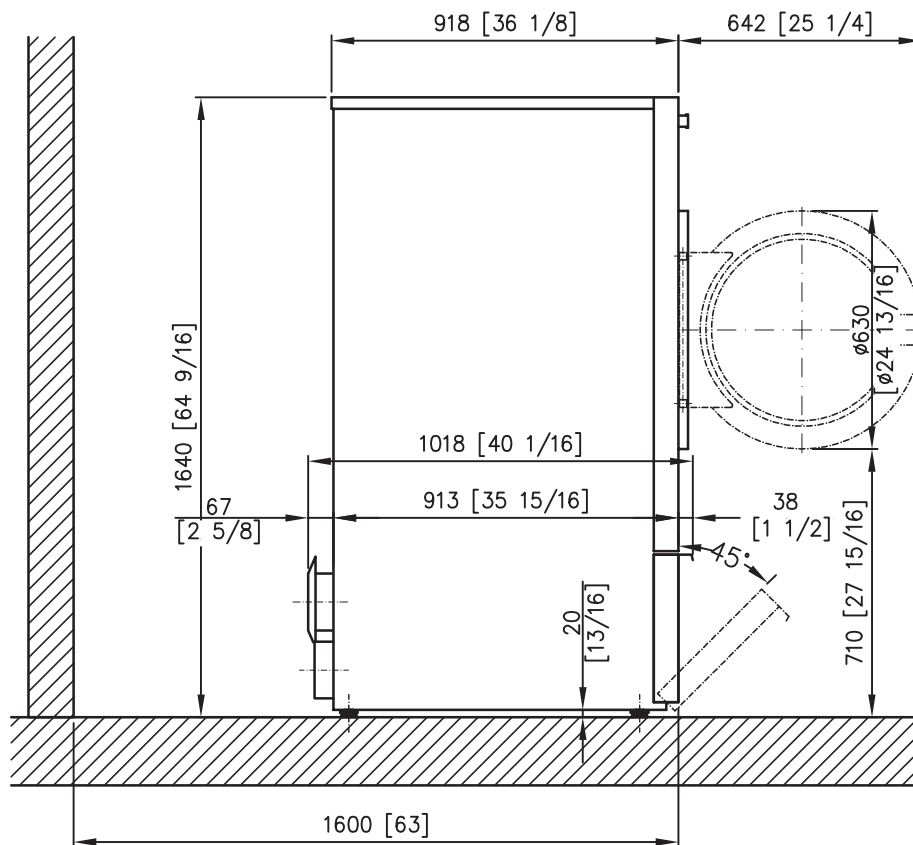
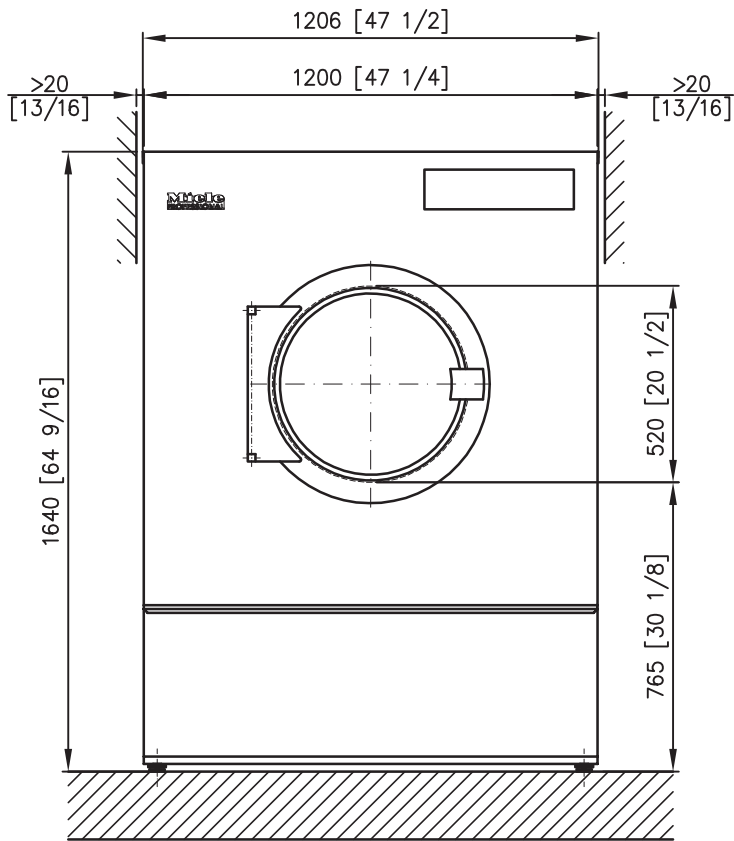
Phone: 800-991-9380

Fax: 800-220-1348

proservice@mieleusa.com

It is essential to read the operating and installation instructions before
installing, commissioning or using the machine.
This avoids the risk of accidents or damage.

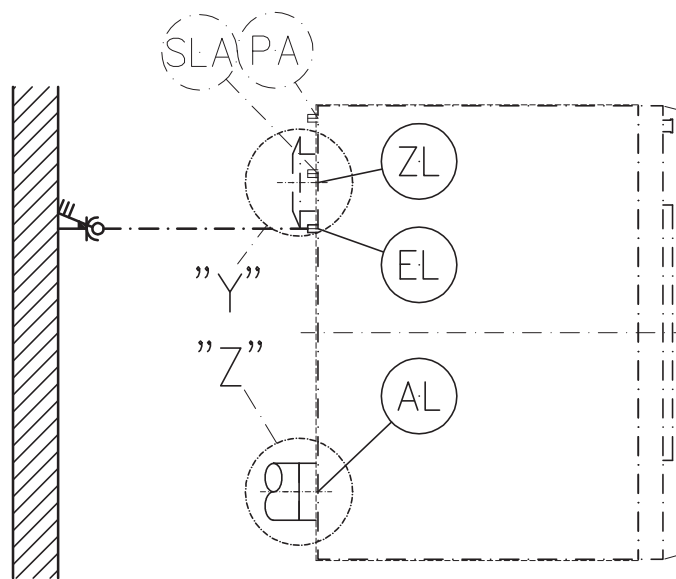
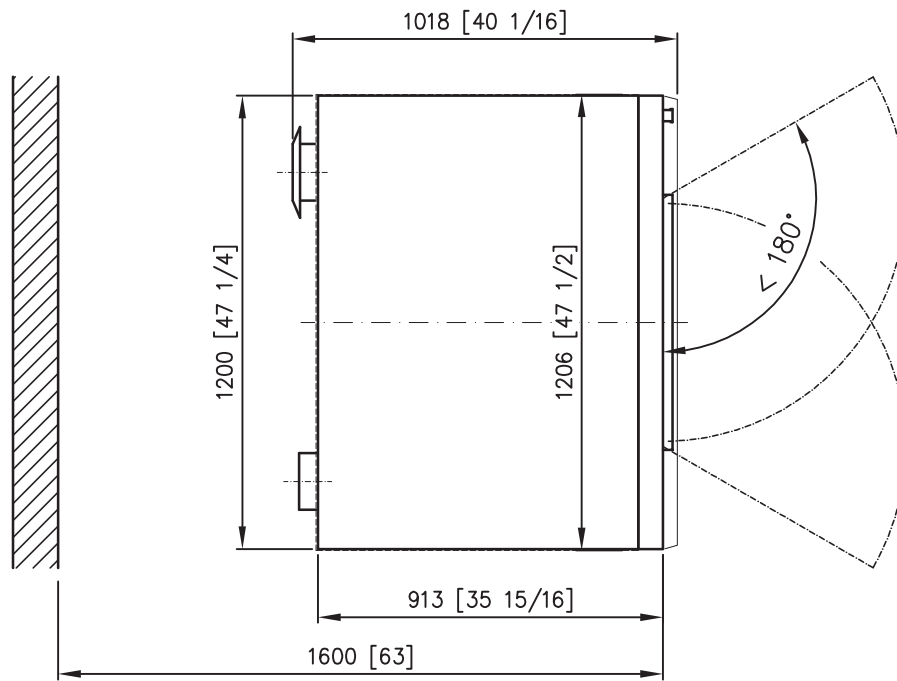
All rights reserved



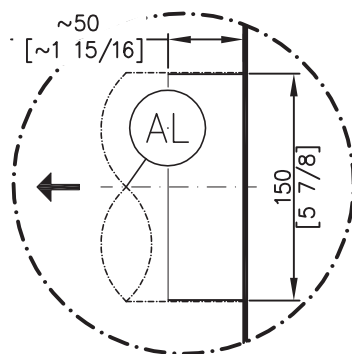
Miele
PROFESSIONAL

Installationsplan / Installation plan
Trockenautomat / Tumble dryer
PT 8503/8505/8507 EL

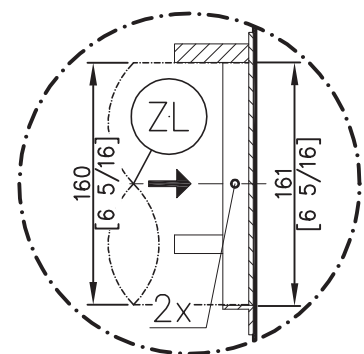
Date	16.11.2011
Page	3
Name	DEBOHD

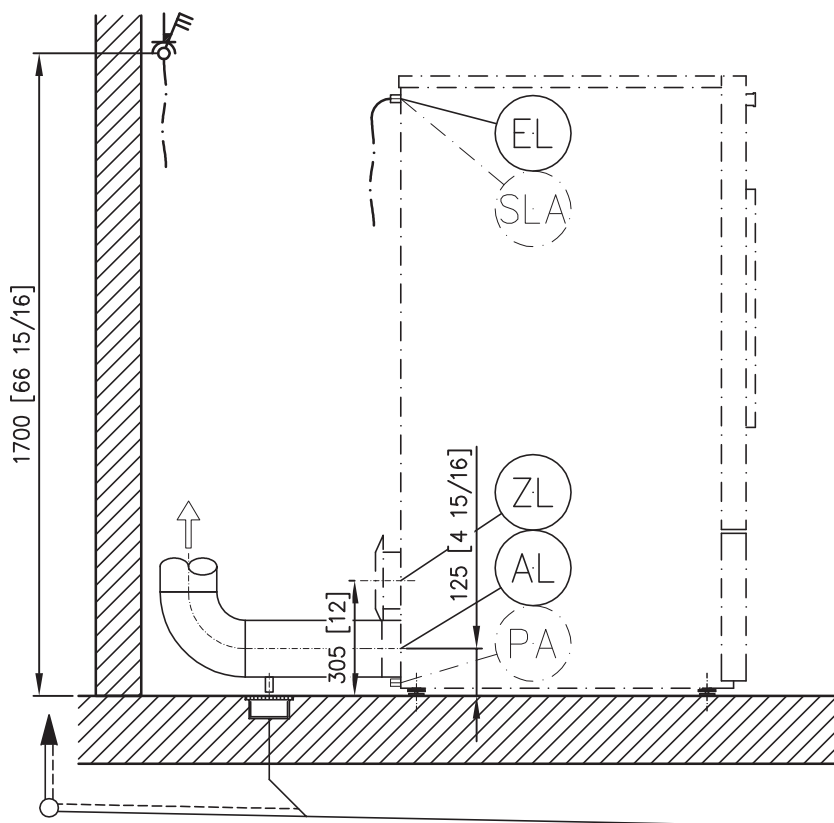
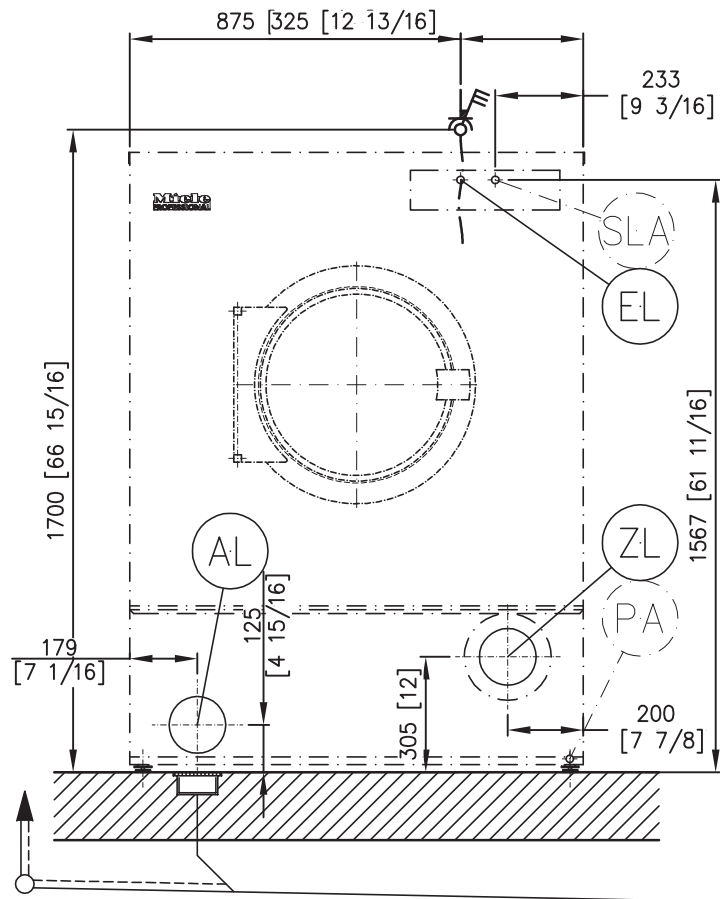


"Z"



"Y"

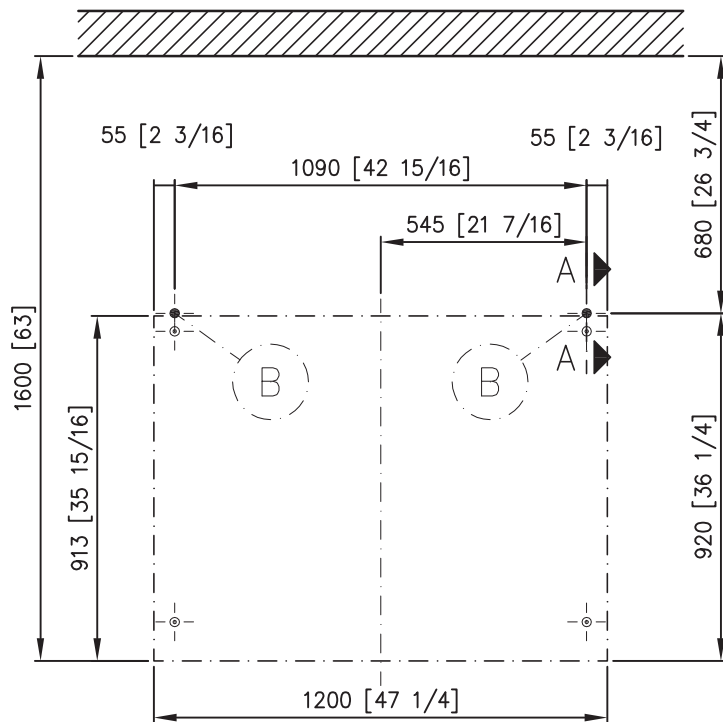
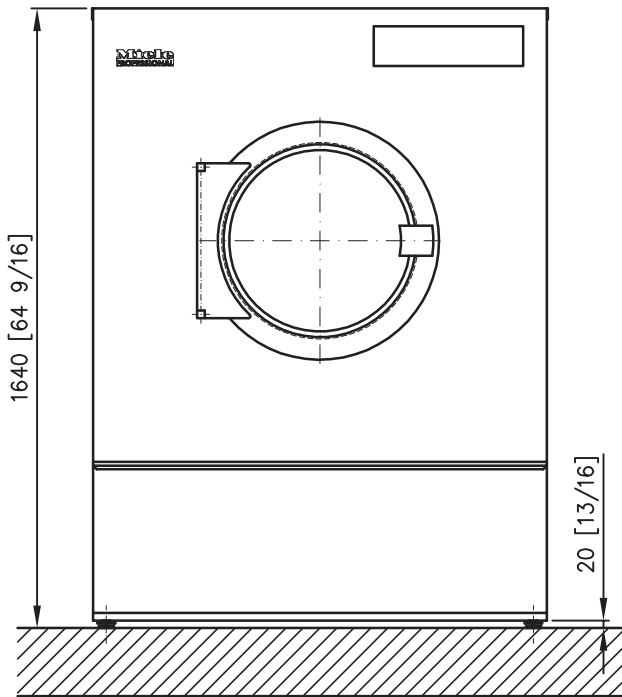




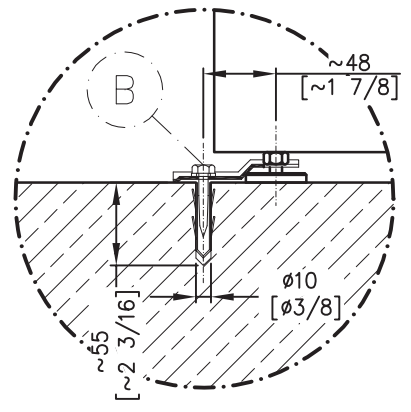
Miele
PROFESSIONAL

Installationsplan / Installation plan
Trockenautomat / Tumble dryer
PT 8503/8505/8507 EL

Date	16.11.2011
Page	5
Name	DEBOHD



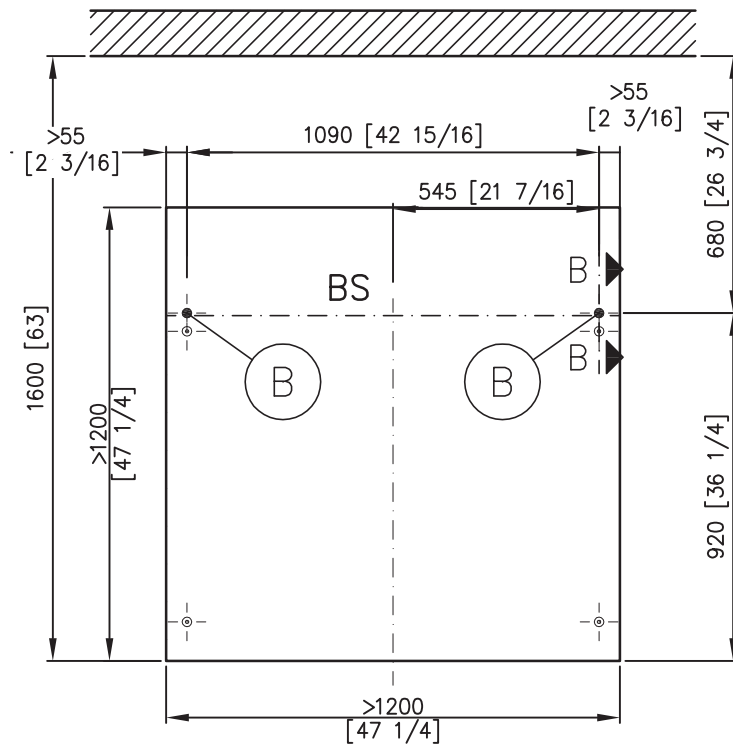
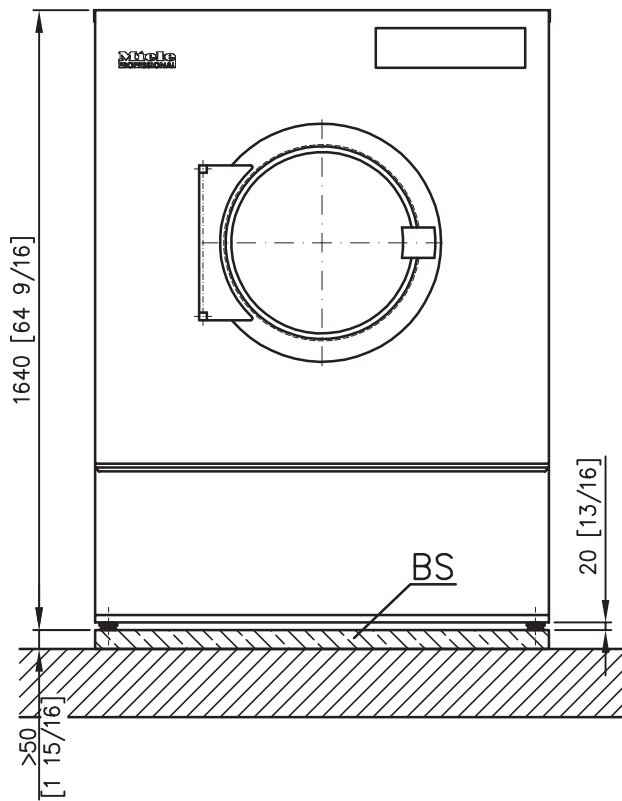
A - A



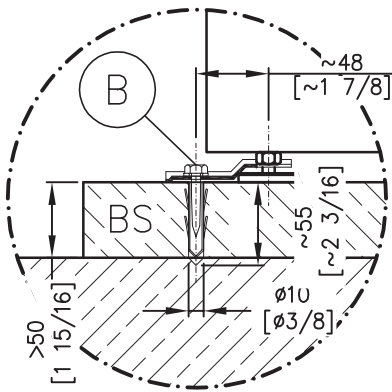
Miele
PROFESSIONAL

Installationsplan / Installation plan
Trockenautomat / Tumble dryer
PT 8503/8505/8507 EL

Date	16.11.2011
Page	6
Name	DEBOHD



B - B



Miele
PROFESSIONAL

Installationsplan / Installation plan
Trockenautomat / Tumble dryer
PT 8503/8505/8507 EL

Date	16.11.2011
Page	7
Name	DEBOHD

Technical datasheet

Miele
PROFESSIONAL

Tumble dryer:
Heating:

PT 8507
Electric (EL)

Legend:



Abbreviations in bold type:
Connection required



Abbreviations in circle with dashes:
Connection optional or required depending on model version

en - US

Optional extras:

BS	Concrete base	Quality and density of concrete must comply with load. Concrete base must be firmly secured to floor!		
		Recommended height	4"	100 mm
		Minimum height	2"	50 mm
		Minimum width	47"	1200 mm
		Minimum depth	43"	1100 mm

Machine connections:

EL	Electrical connection (Convertible)	Standard voltage Frequency Rated load	3 AC 220 - 240V 60 Hz 88775 - 104820 BTU/h	26.0 – 30.7 kW
		Fuse rating Connection cable, min. cross-section (Connection cable to be ordered separately)	3 x 80 A 4 x AWG 6	4 x 10 mm
		Convertible to Frequency Rated load Fuse rating Connection cable, min. cross-section (Connection cable to be ordered separately)	3 AC 208V 60 Hz 78532 BTU/h 3 x 50 A 5 x AWG 6	23 kW 5 x 10 mm
<p>Electrical connection must comply with national regulations.</p> <p>Connection using multi-pole wall socket in compliance with IEC/EN 60309 and IEC/EN 60947 is recommended in order to simplify electrical tests.</p> <p>If machines are hard-wired, a multi-pole switch must be provided on site.</p> <p>A wall socket or isolator must be accessible after installation.</p>				

(PA)	Equipotential bonding	Connection with male thread Connection with washers and nut	3/8" x 1 3/8" 3/8"	10 mm x 35 mm M 10
		Accessories not included. If necessary, equipotential bonding with good galvanic contact must be provided in accordance with all appropriate national and local regulations.		
(SLA)	Peak load energy management	Control contact voltage Connection cable, min. cross-section	AC 230V 5 x AWG 14	5 x 1.5 mm
		Connection cable to be ordered separately. Connection via a flexible supply lead with a separate isolator is recommended. The isolator should be visible and easily accessible after machine installation.		
(AL)	Air outlet	Max. nominal air flow in vented mode Max. permissible pressure loss Connection on machine side (ext. diameter) Connection pipe provided on site (int. diameter) Max. temperature	506.2 cfm 0.04 psi 5 7/8" 5 7/8" 176 °F	860 m³/h 300 Pa 150 mm 150 mm 80 °C
		As relative humidity inside the vent ducting can be as high as 100%, suitable measures must be taken to prevent a backflow of condensate into the machine.		
(ZL)	Air intake	Standard connection: Air intake from installation site Unobstructed air intake into room recommended (corresponding to 3 times the vent cross-section of machine) A sufficient supply of fresh air should be ensured to replace the air extracted.	82.3 in²	531 cm²
		Alternative connection: Ducted air intake (from outside building) Connector on machine (int. diameter) Connection pipe provided on site (ext. diameter) Lid removal exposes live components! For safety reasons, the pipe connected for central air intake should be at least 35 7/16" [900 mm] long and secured with two screws.	6 3/8" 6 1/4"	161 mm 160 mm
(B)	Fittings (supplied)	Without base 2 x clamps 2 x screws DIN 571 (Ø x length) 2 x rawl plugs (Ø x length) The machine should be bolted to the floor. Fixing materials for floor screed have to be provided on site.	1/4" x 1 5/8" 3/8" x 2"	6 mm x 40 mm 10 mm x 50 mm
		On concrete platform 2 x clamps 2 x screws DIN 571 (Ø x length) 2 x rawl plugs (Ø x length) Machine must be bolted to the platform! Fixing materials for floor screed have to be provided on site.	1/4" x 1 5/8" 3/8" x 2"	6 mm x 40 mm 10 mm x 50 mm

	Machine data	Machine width Machine depth Machine height Casing width Casing depth Minimum width of delivery access to installation site Recommended rear wall gap (measured to front of machine) Min. wall gap (to rear edge of lid) Net weight Dynamic floor load, max. Average heat dissipation (depends on ambient room temperature and selected program) Noise level Sound pressure level (measured at a distance of 39 3/8" from the machine and at a height of 63")	47 1/2" 40 1/8" 64 5/8" 47 1/4" 36" 40 1/2" 63" 19 3/4" 524.7 lbs 607.7 lbf 2763.8 BTU 72.2 dB (A) 60 dB (A)	1206 mm 1018 mm 1640 mm 1200 mm 913 mm 1030 mm 1600 mm 500 mm 238 kg 2703 N 810 W
<p>Installation should only be carried out by authorised installers in accordance with all local and national regulations! Follow installation instructions when installing machine. All rights reserved.</p>				