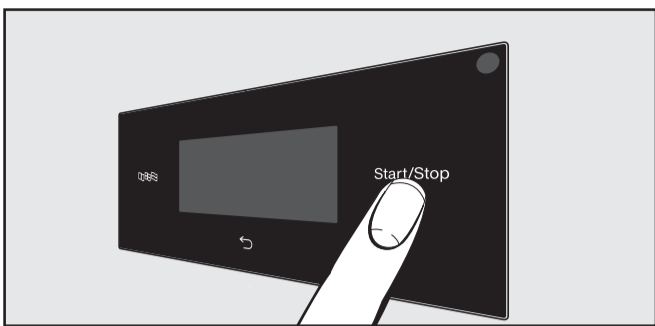
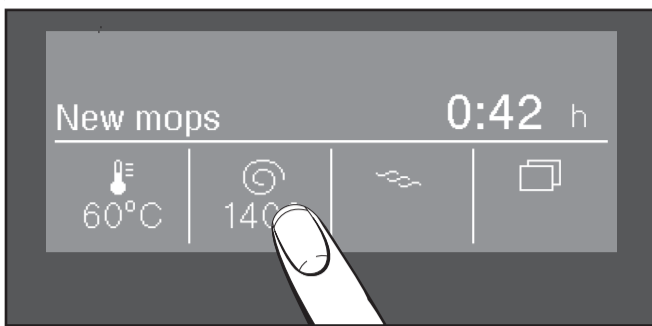


Touch display and sensor controls

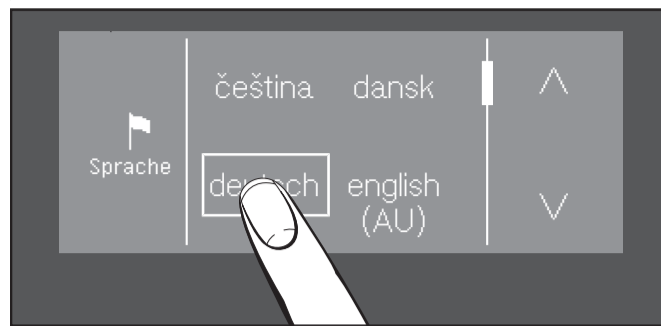


- Switch on the appliance with the **Start/Stop** button.
- The **Start/Stop**, **Back** and **Start/Stop** sensor controls and the sensor controls in the display react to finger tip contact.



You can change or activate the temperature, spin speed or Extras by touching the **Temperature**, **Spin Speed** and **Extras** sensor controls.

1 Selecting the language



- Touch the **Language** sensor control.
- Touch the **Up** or **Down** sensor control until the language you want appears in the display.
- Select the language.

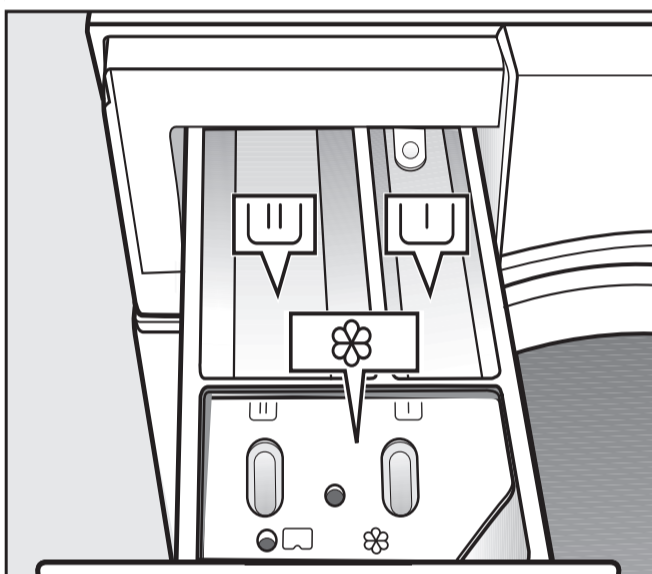
Mops

2 Loading the washing machine



- Always shake mops out thoroughly before washing them.
- Open the door and put the mops inside.
- Shut the door with a gentle swing. Make sure mops do not get caught in the door.

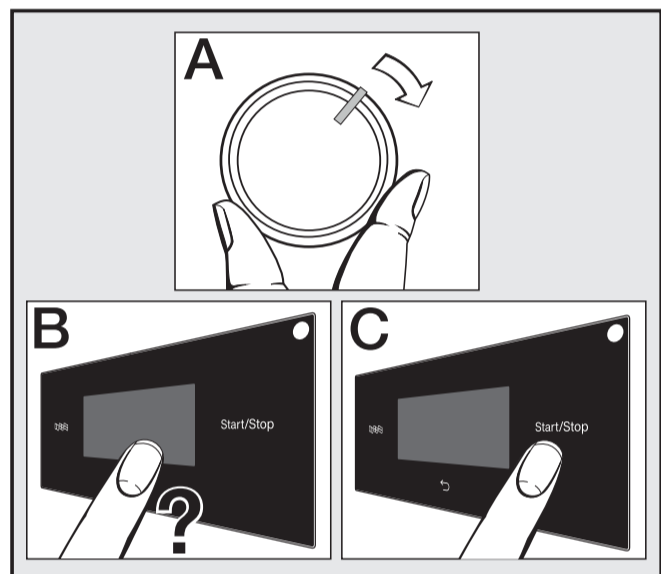
3 Adding detergent



- Fill compartment **1** with detergent.
- Fill compartment **2** with pre-treating agent.

For disinfection programmes, the **1** and **2** compartments can be filled with detergent.

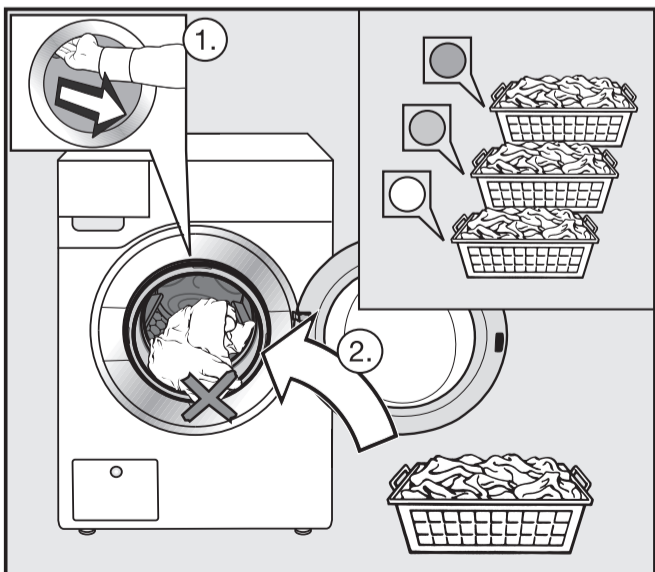
4 Selecting and starting the programme



- Select a programme (A).
- Select the spin speed and Extras (B).
- Touch the **Start/Stop** sensor control (C).

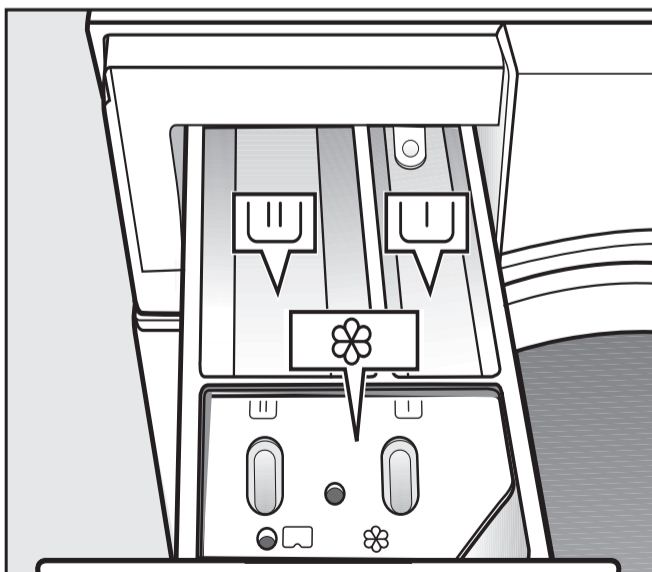
Cleaning cloths

2 Loading the washing machine



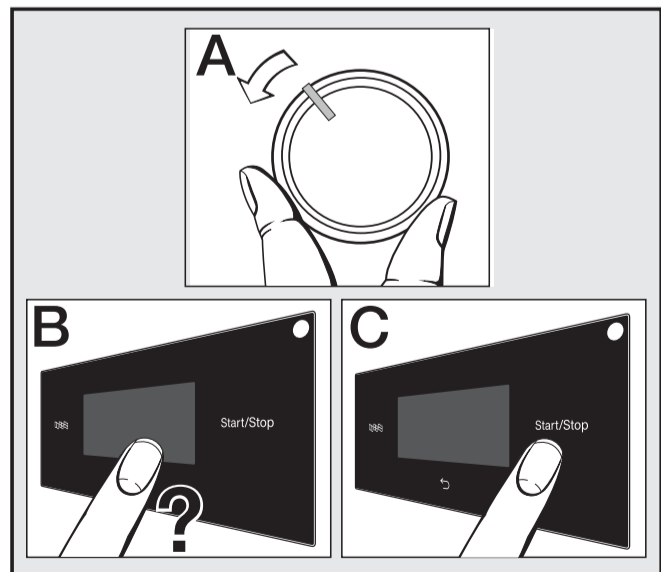
- Sort cleaning cloths by colour.
- Open the door and put the cloths inside.
- Shut the door with a gentle swing. Make sure cloths do not get caught in the door.

3 Adding detergent



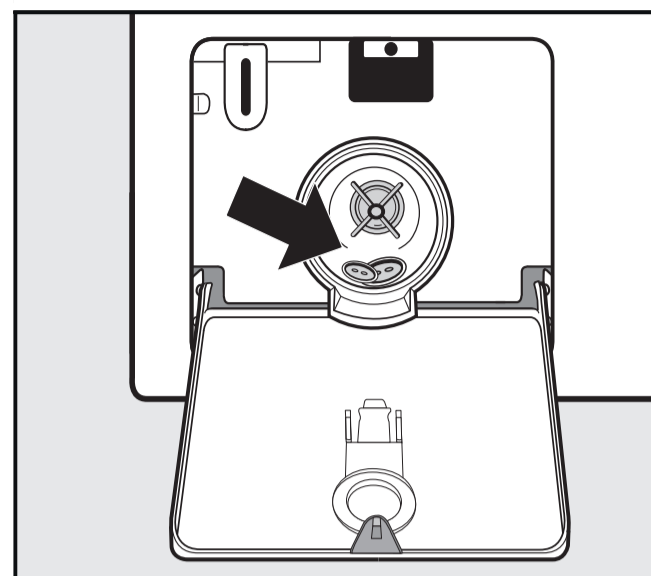
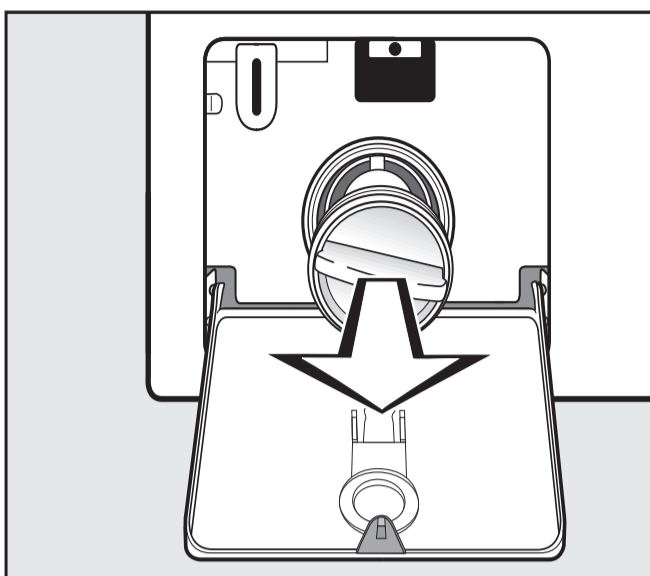
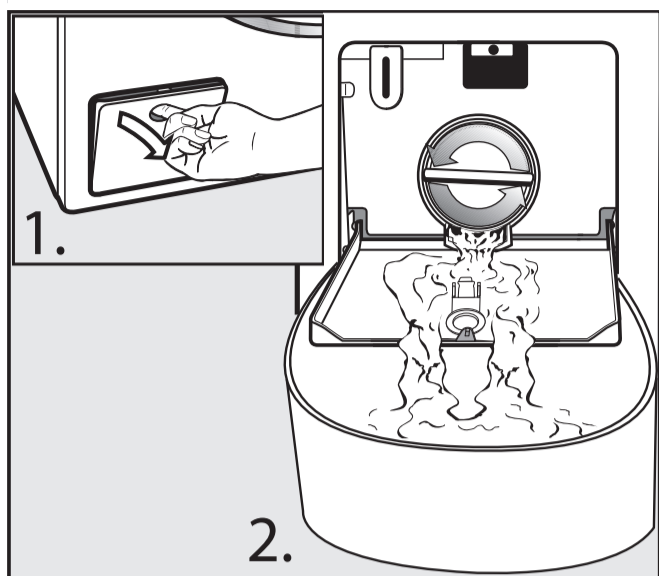
- Fill compartment **1** with detergent for the pre-wash, if selected.
- Fill compartment **2** with detergent for the main wash.
- Fill compartment **3** with pre-treating agent.

4 Selecting and starting the programme



- Select a programme (A).
- Select the spin speed and Extras (B).
- Touch the **Start/Stop** sensor control (C).

Daily cleaning of the drain filter and the drain pump



- Open the access panel to the drainage system (1).
- Slowly unscrew the drain filters to let the water out (2).

- Unscrew the drain filter completely and remove it.
- Clean the drain filter thoroughly under running water.

- Remove foreign objects and clean the interior.
- Replace the drain filter and tighten it securely.

Mop programmes		Load
Mops 60 °C / Mops plus 40 °C to 90 °C		max. 8.0 kg
Use for	Cotton, mixed fibre or microfibre mops.	
Mops – thermal disinfection		max. 8.0 kg
Use for	Cotton, mixed fibre or microfibre mops.	
Mops – chemo-thermal disinfection		max. 8.0 kg
Use for	Cotton, mixed fibre or microfibre mops.	
Cleaning cloth programmes		
Cleaning cloths 60 °C / Cleaning cloths plus 40 °C to 90 °C		max. 4.0 kg
Use for	Cotton, mixed fibre or microfibre cloths.	
Thermal disinfection 85 °C/15 min		max. 4.0 kg
Use for	Cotton, mixed fibre or microfibre cloths.	
Chemo-thermal disinfection		max. 4.0 kg
Use for	Cotton, mixed fibre or microfibre cloths.	
Pads 40 °C		max. 1.5 kg
Use for	Microfibre polishing pads and buffers.	
Cottons PRO 60 °C		max. 8.0 kg
Use for	Mixed fibre textiles (50 % cotton and 50 % polyester).	

Further programmes are described in the operating instructions.

