

## Operating Instructions Heat-Pump Dryer



It is **essential** to read these operating instructions before installation or use of this appliance. This prevents both personal injury and damage to the appliance.

# Contents

---

<b>Caring for the environment</b> .....	6
<b>WARNING AND SAFETY INSTRUCTIONS</b> .....	7
<b>Operating the tumble dryer</b> .....	16
Control panel.....	16
Touch display and sensor controls.....	16
Main menu.....	17
Examples of how to operate the appliance.....	18
<b>Energy saving tips</b> .....	20
<b>Functioning of the heat-pump dryer</b> .....	21
<b>Initial commissioning</b> .....	22
Downtime after installation.....	22
Miele@home.....	22
Setting the display language.....	23
<b>1. Notes on correct laundry care</b> .....	25
Points to note regarding washed laundry.....	25
Preparing the laundry before drying.....	25
Drying .....	26
Understanding the care-label symbols .....	26
Selecting the correct drying level.....	26
<b>2. Loading the tumble dryer</b> .....	27
Loading the laundry.....	27
<b>3. Selecting a program</b> .....	28
Switching on the tumble dryer .....	28
<b>4. Selecting program settings</b> .....	29
Program settings .....	29
Selecting the drying level for programs with a selectable drying level .....	29
Time-controlled and other programs.....	29
Selecting an extra option.....	30
<b>5. Starting a program</b> .....	31
Starting a program .....	31
<b>6. Program end – removing the laundry</b> .....	32
End of program.....	32
Removing the laundry .....	32
<b>Program chart</b> .....	33

<b>Extra options</b> .....	39
Gentle .....	39
Freshen up.....	39
Drying program chart – extra options.....	40
<b>Favourite programs</b> .....	41
Creating a Favourite program.....	41
Option 1.....	41
Option 2.....	41
Entering a name .....	41
Changing a Favourite program .....	41
<b>Drying assistant</b> .....	42
<b>Timer</b> .....	43
Setting the timer .....	43
Changing the timer.....	43
Deleting the timer .....	43
Starting the timer.....	43
SmartStart .....	44
Setting the timeframe .....	44
<b>Changing the program sequence</b> .....	45
Adding or removing laundry .....	45
<b>Condensed water container</b> .....	46
Emptying the condensed water container .....	46
Preparing the condensed water container for the SoftSteam program .....	47
<b>Fragrance capsule</b> .....	48
FragranceDos .....	48
Removing the protective seal from the fragrance flacon.....	48
Inserting a fragrance capsule .....	49
Setting the fragrance intensity.....	50
Closing the fragrance flacon .....	50
Removing / replacing the fragrance capsule.....	51
<b>Cleaning and care</b> .....	52
Cleaning the lint filters .....	52
Removing the fragrance flacon .....	52
Removing visible lint.....	52
Cleaning the lint filters and air flow openings thoroughly .....	53

# Contents

---

Cleaning the plinth filter.....	56
Removing the plinth filter .....	56
Cleaning the plinth filter.....	57
Cleaning the plinth filter flap.....	58
Cleaning the tumble dryer.....	58
<b>Frequently Asked Questions .....</b>	<b>59</b>
The display indicates messages or faults .....	59
Unsatisfactory drying results.....	62
The drying cycle duration is very long.....	63
General problems with the tumble dryer .....	64
Replacing the plinth filter.....	66
Reactivating the plinth filter.....	68
Checking the heat exchanger unit.....	68
Cleaning the lint filter in the condensed water container .....	69
Replacing the blocked spray jet for the SoftSteam program .....	70
Bottom right grille.....	71
<b>Technical Service.....</b>	<b>72</b>
Contact in the event of a fault .....	72
Warranty .....	72
Optional accessories.....	72
<b>WARNING AND SAFETY INSTRUCTIONS .....</b>	<b>73</b>
<b>Installation.....</b>	<b>75</b>
Front view .....	75
Rear view.....	76
Transporting the tumble dryer .....	76
Transporting the tumble dryer to its installation site .....	76
Installation .....	77
Installation .....	77
Downtime after installation.....	77
Ventilation.....	77
Before moving the tumble dryer again .....	78
Additional installation requirements .....	78
Product dimensions .....	80
Dimensions.....	80
Installation on a plinth .....	80
Washer-dryer stack .....	80
Electrical connection .....	81
Connection adapter for NEMA 14-30 socket.....	81

---

External draining of condensed water.....	82
Laying the drain hose .....	82
Condensate drain .....	82
Changing the door hinging.....	83
Changing the hinging over .....	83
Refitting .....	88
<b>Technical data</b> .....	<b>89</b>
<b>Settings</b> .....	<b>90</b>
Calling up settings.....	90
Operation / display ▾.....	91
Language ▾ .....	91
Code.....	91
Memory .....	91
Clock display.....	91
Volume.....	92
Display brightness.....	92
“Display” off status.....	92
Networking .....	93
Miele@home .....	93
SmartGrid .....	94
Remote Control .....	94
RemoteUpdate .....	95
Program sequence .....	96
Anti-crease .....	96
Drying levels .....	96
Appliance parameters .....	97
Airways indicator.....	97
Conductivity .....	97
Legal Information.....	98

# Caring for the environment

---

## Disposal of the transport packaging material

The packaging material protects the dryer from transport damage. The packaging materials used are selected from materials which are environmentally friendly for disposal and should be recycled.

Recycling the packaging reduces the use of raw materials in the manufacturing process and also the amount of waste.

## Disposal of your old appliance

Electronic and electrical appliances contain many valuable materials. They also contain certain materials, compounds and components which were essential for the proper functioning and safe use of the equipment. These could be hazardous to your health and to the environment if disposed of with general waste or if handled incorrectly. Therefore, please do not dispose of your old appliance with general waste.



Consult with local authorities, dealers or Miele in order to dispose of and recycle electrical and electronic appliances. Miele assumes no responsibility for deleting any personal data left on the appliance being disposed. Please ensure that your old appliance is kept away from children until removal. Observe safety requirements for appliances that may tip over or pose an entrapment hazard.

## WARNING AND SAFETY INSTRUCTIONS

### WARNING

In order to prevent fire, electric shock or injury to persons during the use of this tumble dryer, you must observe the following vital precautionary measures:

### WARNING

This tumble dryer is intended for use in domestic households and similar working and residential environments.

- ▶ You must read all instructions before using the tumble dryer for the first time.
- ▶ Children must not play with, on or inside the tumble dryer. Children should be supervised in the vicinity of the tumble dryer. Make sure the door of the tumble dryer is always closed in order to avoid endangering children.
- ▶ If the tumble dryer is no longer in use and you wish to dispose of it, remove the door.
- ▶ Do not install or use a dryer with visible damage.
- ▶ Do not touch the drum whilst it is still rotating.
- ▶ Do not store or operate the tumble dryer outdoors.
- ▶ Do not make any alterations to the tumble dryer.
- ▶ Unauthorized repairs could result in unforeseen dangers for the user, for which Miele cannot accept liability. Do not make any alterations to the tumble dryer, unless authorized to do so by Miele. Repairs should only be carried out by a Miele approved service technician, otherwise there could be a considerable danger to the user.

## WARNING AND SAFETY INSTRUCTIONS


---

► Important information regarding use of fabric softener sheets:  
We do not recommend use of fabric softener sheets. Use of fabric softener sheets can clog the surfaces of the lint filters, extending the drying time and increasing energy consumption. During subsequent cleaning, the plastic and surfaces of the lint filters can be damaged! The best results are obtained by using liquid fabric softener in the washing machine. Follow the manufacturer's instructions.  
If you still wish to use fabric softener sheets, be sure to follow the cleaning instructions under “Cleaning and care” in the “Cleaning instructions when using fabric softener sheets” section.

### Tip:

Using a fragrance capsule (optional accessory) will add a pleasant fragrance to your laundry.

When a fragrance capsule is used, the fragrance is absorbed by the entire load of laundry. The disadvantage of fabric softener sheets is that the fragrance is sometimes only absorbed by a few items of laundry, especially when drying a full load.

 When you use a fragrance capsule, always follow the warnings in this section as well as those under “Fragrance capsule”.




## WARNING AND SAFETY INSTRUCTIONS

---

▶ To prevent the risk of fire, the following items must not be tumble dried:

- Items which have not been washed.
- Items which have not been thoroughly cleaned and are still soiled with grease, oil or other deposits (such as work clothes, kitchen linens or cosmetics cloths with lubricants, cooking oils, grease, lotions, etc, as there is a danger that they might ignite when heated (chemical reaction), even after they have been removed from the dryer at the end of the program.
- Items which have been washed or dry-cleaned using chemicals or other flammable substances (e.g. professional dry-cleaning agents). They could emit explosive fumes.
- Items that have been soiled with flammable or explosive cleaning agents or substances containing acetone, alcohol, gasoline, petroleum, kerosene, spot removers, turpentine, waxes, wax removers and other chemicals (e.g. mops and floor cloths).
- Items which have been soiled with hair lacquer, hair spray, nail polish remover or similar substances.

 When washing such heavily soiled items ensure that you use a larger quantity of detergent and select a high temperature. If in doubt, wash the items several times.

- Items which contain a large proportion of rubber, foam rubber or rubber-like materials. For example, products made from latex foam rubber, shower caps, waterproof textiles, rubberized articles, and items of clothing and pillows with foam rubber filling.
- Items which contain padding or fillings (e.g. pillows, jackets) and are damaged. The filling could fall out and cause a risk of fire.

## WARNING AND SAFETY INSTRUCTIONS

---

▶ In many programs, the heating phase is followed by a cooling down phase to ensure that the items are not too hot to handle when you remove them (this also prevents the danger of the laundry igniting). The program is not finished until after the cooling down phase. It is advisable to remove all laundry as soon as the program has finished.

▶ The lint filters must be cleaned before or after every drying cycle!

▶ Keep the room where the tumble dryer is located, particularly the plinth area, free from dust and lint.

▶ The inside of the tumble dryer must be cleaned regularly by an authorized specialist.

### ▶ GROUNDING INSTRUCTIONS

The electrical safety of this dryer can only be guaranteed when continuity is complete between it and an effective grounding system. It is essential that this standard safety requirement is observed and regularly tested. If in any doubt, please have the electrical installation inspected by a qualified electrician. Miele cannot be held liable for the consequences of an inadequate grounding system. The electrical socket must be easily accessible so that the dryer can be disconnected from the electricity supply.

▶ **WARNING** – If the grounding conductor is connected incorrectly, this can result in electric shock. Contact a qualified electrician if you are unsure whether the appliance is properly grounded.

## WARNING AND SAFETY INSTRUCTIONS

---

► Temporary or permanent operation on an autonomous power supply system or a power supply system that is not synchronized with the grid power supply (e.g., island networks, back-up systems) is possible. A prerequisite for operation is that the power supply system complies with the specifications of EN 50160 or an equivalent local standard.

The function and operation of the protective measures provided in the domestic electrical installation and in this Miele product must also be maintained in isolated operation or in operation that is not synchronized with the grid power supply, or these measures must be replaced by equivalent measures in the installation. As described, for example, in the current version of VDE-AR-E 2510-2 or an equivalent local standard.

## WARNING AND SAFETY INSTRUCTIONS

---

- ▶ Do not change the plug: If it does not fit into the socket, you should have a proper outlet installed by a qualified electrician.
- ▶ In the event of a fault or during cleaning and maintenance, the tumble dryer is only completely disconnected from the electricity supply when the tumble dryer plug has been removed or if the fuse has been disconnected or if the screw-out fuse has been removed. Do not switch on the supply until the task has been completed.
- ▶ Miele tumble dryers and Miele washing machines can be installed as a washer-dryer stack. A Miele washer-dryer connection kit is required as an optional accessory for this. Please ensure that the washer-dryer connection kit is suitable for the Miele tumble dryer and the Miele washing machine.
- ▶ If you order a plinth for this tumble dryer (available from Miele as an optional accessory), make sure it is the correct one.
- ▶ The maximum dry laundry weight is 8,0 kg. See the “Program chart” for the maximum recommended loads for individual programs.
- ▶ Do not place shoes inside the drum for drying. Placing shoes inside the drum for drying can cause the belt to tear, requiring a service call.  
You must always use the dryer basket (optional accessory) when drying/airing shoes. Follow the additional operating instructions for the dryer basket.
- ▶ This tumble dryer is supplied with a special lamp to cope with particular conditions (e.g. relating to temperature, moisture, chemical resistance, abrasion resistance and vibration). This special lamp must only be used for the purpose for which it is intended. It is not suitable for room lighting. Replacement lamps may only be fitted by a Miele authorized person or by Miele Customer Service.

## WARNING AND SAFETY INSTRUCTIONS

### ► Heat pump technology and refrigerant:

The heat pump in this tumble dryer uses a gaseous refrigerant which is condensed by the compressor. The refrigerant, which is brought to a higher temperature level and liquefied by condensing, is led in a closed circuit through the heat exchanger unit where heat exchange with the circulating drying air takes place.

 Damage to the tumble dryer by switching it on too soon.

This can damage the heat pump.

After setting up the tumble dryer, wait for at least one hour before starting a drying program.

- The humming noises caused by the heat pump during the drying process are normal. They do not impair the efficient functioning of the tumble dryer.
- The refrigerant is not flammable or explosive.
- This tumble dryer contains fluorinated greenhouse gases.  
Hermetically sealed.

Designation of refrigerant: R134a

Amount of refrigerant: 0,47 kg

Global warming potential of refrigerant: 1430 kg CO<sub>2</sub> e

Global warming potential of appliance: 672 kg CO<sub>2</sub> e

► This product can contain chemicals known by the state of California to cause cancer, birth defects and other genetic defects.

## WARNING AND SAFETY INSTRUCTIONS

---

### Using a fragrance capsule (optional accessory)

- ▶ Only use genuine Miele original fragrance capsules.
- ▶ The fragrance capsule must be stored in its original packaging so please make sure you retain this.
- ▶ Caution: The fragrance can leak out of the capsule! Make sure that you always keep the capsule or the lint filter with the capsule inserted in it in a horizontal position when carrying, and do not tip or place it down on any surface.
- ▶ Use an absorbent cloth to wipe up any fragrance which has leaked out of the capsule onto the floor, the dryer or any dryer components (e.g. the lint filter) immediately.
- ▶ If fragrance comes in contact with the body: Wash **skin** thoroughly with soap and water. Flush **eyes** with clean water for at least 15 minutes. If swallowed, rinse **mouth** thoroughly with clean water. Seek medical attention if the fragrance comes in contact with the eyes or is swallowed!
- ▶ Immediately change clothes that have come in contact with the fragrance. Thoroughly wash clothing or fabric using a large amount of water and detergent.
- ▶ There is the risk of fire or damage to the tumble dryer if the following instructions are not observed:
  - Never refill a capsule with fragrance.
  - Never use a faulty fragrance capsule.
- ▶ Dispose of an empty fragrance capsule with the household waste and never use it for any other purpose.
- ▶ Please also observe the information supplied with the fragrance capsule.

# WARNING AND SAFETY INSTRUCTIONS

---

## **FCC Declaration of Conformity**

▶ This appliance complies with Part 15 of the FCC regulations. This appliance has been tested and found to comply with the limits for a Class B digital device, pursuant to Part 15 of the FCC Rules and is subject to the following conditions: This appliance does not cause harmful interference. The appliances may be interconnected as desired.

## **FCC Radiation Exposure Statement**

▶ This appliance complies with FCC RF radiation exposure limits set forth for an uncontrolled environment. These appliances should be installed and operated with a minimum distance of 8" (20 cm) between the radiator and body.

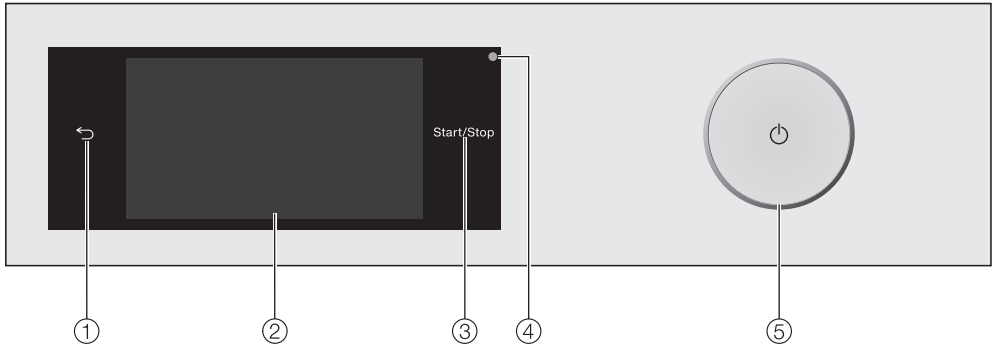
## **Industry Canada Statement**

▶ This digital device does not exceed the Class B limits for radio noise emissions from digital devices specified in the radio regulations of the Canadian Radio-television and Telecommunications Commission. This appliance complies with the Class B specification of the Canadian ICES-003.

**KEEP THESE OPERATING INSTRUCTIONS IN A SAFE PLACE**

# Operating the tumble dryer

## Control panel



- ① **Sensor button** ↩  
Takes you back one level in a menu.
- ② **Touch display**
- ③ **Start/Stop sensor button**  
Touching the *Start/Stop* sensor button starts the selected program or cancels a program that has already been started. The sensor button flashes slowly as soon as it is possible for a program to be started and then lights up constantly after the program has started.
- ④ **Optical interface**  
For Miele Service.
- ⑤ **⏻ button**  
For switching the tumble dryer on and off. The tumble dryer switches off automatically to save energy. This occurs 15 minutes after the end of the program / Anti-crease phase, or after being switched on if no further selection is made.

## Touch display and sensor controls

The ↩ and *Start/Stop* sensor buttons and the sensor buttons in the display react to finger tip contact.

The touch display can be scratched by pointed or sharp objects, e.g. pens. Only touch the display with your fingers.




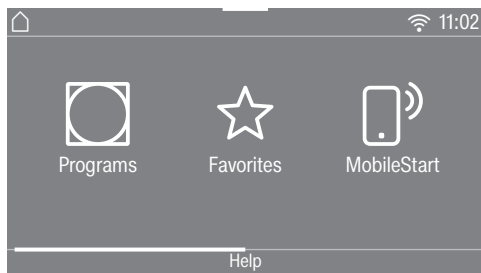
# Operating the tumble dryer

## Main menu

After switching on the tumble dryer, the main menu will appear in the display.

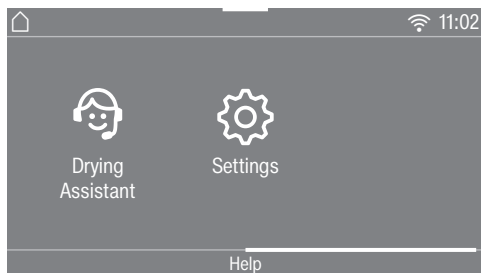
You can access all the important sub-menus from the main menu.

Touch the  sensor control at any time to return to the main menu. Values set previously are not saved.



Main menu page 1

You can scroll to the second page of the main menu by swiping your finger across the display.



Main menu page 2

## Programs

For selecting the drying programs.

## Favourites

You can save up to 12 of your own customized drying programs (see “Favourites”).

## MobileStart

With MobileStart you can operate your tumble dryer remotely with the Miele@mobile app.

The Remote control setting must be switched on.

Touch the MobileStart sensor button and follow the instructions in the display.

## Drying assistant

The Drying assistant guides you step by step so that you can select the optimum drying program for your laundry (see “Drying assistant”).

## Settings

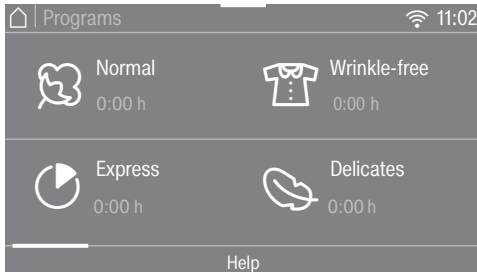
You can alter the tumble dryer’s electronics to suit changing requirements in the Settings menu (see “Settings”).

# Operating the tumble dryer

## Examples of how to operate the appliance

### Option lists

#### Programs menu



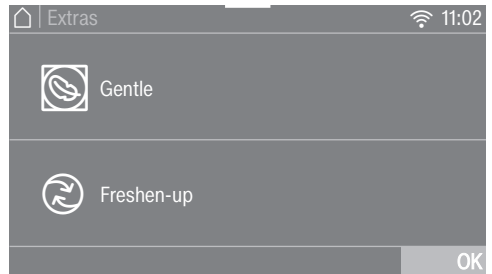
You can scroll right or left by swiping your finger across the screen. To do this, place your finger on the touch display and swipe it in the direction you want.

The orange scroll bar under the pictures shows that there are further options to choose from.

Touch a program name to select the drying program.

The display will change to the standard menu for that program.

#### Extra options menu



Touch an *Extra option* to select it.

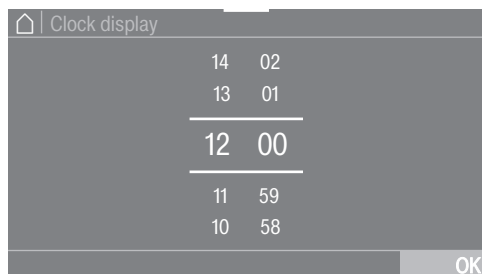
The *Extra option* will be highlighted in orange.

To deselect an *Extra option*, simply touch the *Extra option* again.

Activate the *Extra option* with the OK sensor button.

## Setting numerical values

You can set numerical values in some menus.



Enter the numbers by swiping up or down. Place your finger on the number that you want to change and move your finger in the direction you want. Use the OK sensor button to accept the set numerical value.

**Useful tip:** Briefly touching the orange numbers between the two lines will bring up the numerical keypad. Once a valid number has been entered, the OK sensor button will be highlighted in green.

## Pull-down menu

The pull-down menu can be used to display information, e.g. about a drying program.



Touch the top edge of the screen in the middle and drag down with your finger.

## Help display

With some menus, Help appears along the bottom line of the display.

- Touch the Help sensor button to display the text.
- Touch the Close sensor button to return to the previous screen.

## Exiting a menu

- Touch the ← sensor button to return to the previous screen.

Entries made before this which have not been confirmed with OK will not be saved.

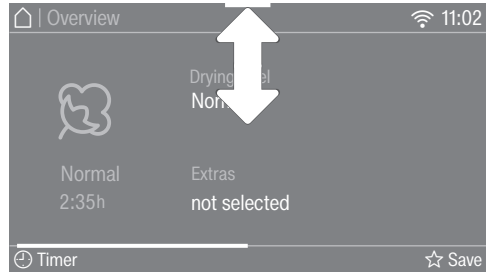
# Energy saving tips

This dryer with heat pump technology is designed for energy-saving drying cycles. However, you can save a little more energy with the following measures as the drying time is not extended unnecessarily.

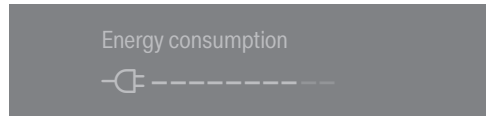
- Make sure your laundry is spun at the maximum spin speed in the washing machine before drying. The higher the spin speed, the greater the savings that can be made in energy and time during drying, e.g., approx. 20% energy can be saved if spun at 1,600 rpm instead of 1,000 rpm.
- Load according to the optimum amount of laundry recommended for the drying program being used. This will mean that the energy consumption for the amount of laundry is at its most economical.
- Make sure that the room temperature is not too high. If there are other heat-producing appliances in the room in which the dryer is located, make sure the room is well ventilated and switch the other appliances off.
- Clean the lint filters in the door opening after every drying cycle.

You can view an energy consumption estimate of your tumble dryer in the pull-down menu.

When a program has been selected, the display will show the estimate before the program starts.



- Open the pull-down menu.



The more bars visible, the higher the energy consumption. The estimate will vary depending on the drying program and any extra options selected.

# Functioning of the heat-pump dryer

Two separate circuits ensure that the laundry is dried:

## Dry air circuit

The drying air flows through a heat exchanger, the drum and several filters. This is ensured by a blower in the dryer.

- The drying air flows through the heat exchanger in the longitudinal direction and is heated in the rear area.
- The drying air is then blown into the drum, where it absorbs the moisture of the laundry.
- The damp drying air is blown back through the heat exchanger via several filters in the fill area and the plinth area of the dryer.
- The drying air cools down in the front, cool area of the heat exchanger and loses its moisture.
- The circuit begins afresh.

## Refrigerant circuit


The refrigerant circuit regulates the heating and cooling of the drying air through the heat exchanger. The heat pump is the central component: This is a compressor that is connected to a pipeline system which is filled with refrigerant.

- The pipeline system surrounds the heat exchanger in several bends.
- The compressor draws in the gaseous refrigerant and compresses it, causing the temperature to rise.
- The hot refrigerant is passed through the pipeline system to the rear of the heat exchanger. The heat is released into the drying air, which flows through the heat exchanger.
- The refrigerant liquifies by dissipating the heat.
- The liquid refrigerant then flows through a capillary tube (a very thin tube) to the front area of the heat exchanger. This changes the pressure of the refrigerant.
- The refrigerant cools and reverts to its gaseous state. This in turn cools the front area of the heat exchanger and dehumidifies the drying air.
- The circuit begins anew.

# Initial commissioning

---

## Downtime after installation

 Damage caused by switching the appliance on too soon.

This can damage the heat pump. After setting up the tumble dryer, wait for at least one hour before starting a drying program.

## Removing the protective foil and stickers

### ■ Remove:

- any protective film from the door
- any stickers from the front and the lid

Please do not remove any labels (e.g. the data plate) which are visible when you open the door.

## Miele@home

Your tumble dryer is equipped with an integrated WiFi module.

To use this feature, you will need:

- a WiFi network
- the Miele@mobile app
- a Miele user account You can create a user account via the Miele@mobile app.

The Miele@mobile app will guide you as you connect your tumble dryer to your home WiFi network.

Once your dryer is connected to your WiFi network, you can use the app to carry out various activities, such as:

- controlling your tumble dryer remotely

- calling up information on the operating status of your tumble dryer
- calling up information on the program sequence of your tumble dryer

Connecting your tumble dryer to your WiFi network will increase energy consumption, even when the tumble dryer is switched off.

Before installing the dryer in its final location, ensure the signal strength is sufficient for your WiFi network.

## Availability of the WiFi connection

The WiFi connection shares a frequency range with other appliances (including microwave ovens and remote control toys). This may result in sporadic or even complete connection failures. Therefore, the availability of featured functions cannot always be guaranteed.

## Miele@home availability

The ability to use the Miele app depends on the availability of the Miele@home service in your country.

The Miele@home service is not available in every country.

For information about availability, please visit [www.miele.com](http://www.miele.com).

## Miele app

The Miele App is available to download free of charge from the Apple App Store<sup>®</sup> or from the Google Play<sup>™</sup> store.



## Switching on the tumble dryer

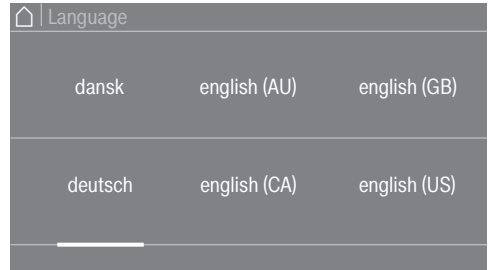
- Press the ⓘ button.

The welcome screen will light up.

The display will guide you step by step through the initial commissioning process.

## Setting the display language

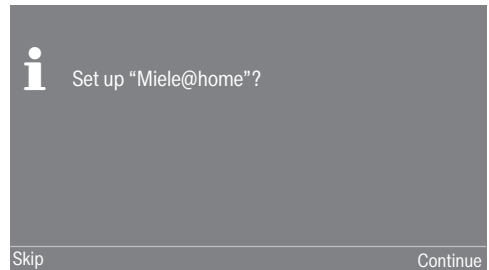
You will be asked to select the display language. It is possible to change the language at any time via the Settings menu.



- Scroll to the left or the right until the language you want appears.
- Touch the sensor button for the language you want.

The selected language will be highlighted in orange and the display will change to the next setting.

## Setting up Miele@home



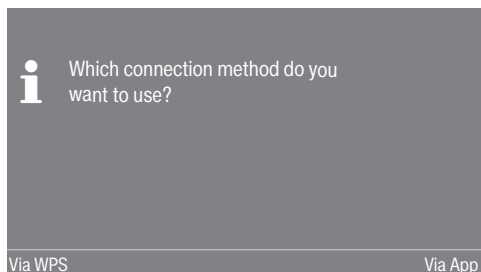
- To set up Miele@home now: touch the Continue sensor button.

# Initial commissioning

**Useful tip:** To postpone setup until later: touch the **Skip** sensor button. The following message will then appear in the display:

**i** It is possible to set up later in “Settings” / “Miele@home”.

Confirm with the **OK** sensor button.



- Select the connection method you wish to use.

You will then be guided by the display and the Miele@home app.

You will require a WPS-compatible router for the Via WPS connection type.

- Activate the WPS function on your router within 2 minutes.

## Setting the clock format

The time of day can be displayed in 12-hour or 24-hour clock format.

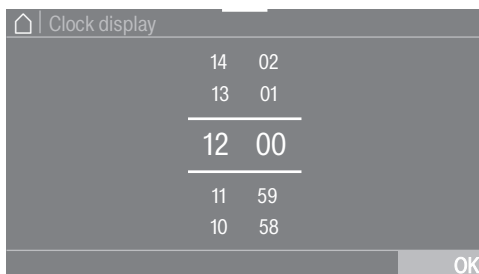
- Select the clock format you want and confirm this with the **OK** sensor button.

The display will change to the next setting.

## Setting the time

This message only appears if the tumble dryer has not yet been connected to a WiFi network.

The time is set automatically when a connection is established with a WiFi network.



- Place your finger on the number that you want to change and move your finger in the direction you want.

- Confirm with the **OK** sensor button.

Further information will appear on the display.

## Continuing with commissioning

- Please see “1. Notes on correct laundry care”.
- You can then select a program and load the tumble dryer as described in “2. Loading the tumble dryer” and “3. Selecting a program”.

The procedure for initial commissioning is completed when a program lasting longer than one hour has been carried out in full.




# 1. Notes on correct laundry care

## Points to note regarding washed laundry


- When washing very heavily soiled items, ensure that you use sufficient detergent and select a high temperature. If in doubt, wash the items several times.
- Do not load the drum with items that are still soaking wet. Make sure your laundry is spun at the maximum spin speed before drying. The higher the spin speed, the greater the savings that can be made in energy and time during drying.
- New dark-coloured garments should be washed and dried separately from light-coloured garments. There is the risk of colours running and discolouring other garments or even plastic components in the dryer. Dark coloured fibres can also settle on light coloured garments and vice versa.
- Starched laundry can be tumble dried. To achieve the usual finish, double the amount of starch should be used.

## Preparing the laundry before drying

 Damage due to foreign objects which were not removed from the laundry.

Foreign objects can melt, burn, or explode.

Ensure that any foreign objects (e.g., detergent dispensing balls, lighters, etc.) have been removed from the laundry.

 Risk of fire due to incorrect use and operation.

The laundry can burn and destroy the tumble dryer and the surroundings.

See “WARNING AND SAFETY INSTRUCTIONS” for further information.

- Sort the laundry according to the type of fibre and weave, size, garment care label symbol, and the drying level required.
- Check seams and stitching to ensure that padding and linings are intact. This way you will avoid the danger of fillings coming out. These could catch fire when being dried.
- Untangle the laundry.
- Tie together textile belts and apron ties.
- Fasten duvet covers and pillow cases to prevent small items from becoming rolled up inside them.
- Fasten hooks and eyes.
- Leave jackets open and undo any long zippers so that textiles dry evenly.
- Sew in or remove underwiring from bras.
- If necessary, reduce the size of the load for these types of fabric. Wrinkle-free fabric tends to crease more, the larger the load. This is particularly the case for garments made from very fine weave fabric, such as dress shirts or blouses.




# 1. Notes on correct laundry care





## Drying

**Useful tip:** See the “Program chart”. This describes the programs and gives their maximum load.

- Always observe the maximum recommended load for each program. This will mean that the energy consumption for the amount of laundry is at its most economical.
- Down-filled garments have linings which have a tendency to shrink, depending on the quality of the item. Only use the *SoftSteam* program for these items.
- You should only tumble dry pure linen if it is specified as suitable by the manufacturer on the care label, as the surface of the fabric may otherwise become rough. Only use the *SoftSteam* program for these items.
- Woolens and wool blends tend to become matted and shrink if tumble dried. Only use the *Woolens Handcare* program for these items.
- Jersey fabrics (e.g. T-shirts, underwear) tend to shrink when they are washed for the first time. Therefore, do not over-dry the fabrics to prevent them from shrinking further. Buy jersey fabrics that are one or two sizes bigger.
- Select the *Gentle* extra option for fabric which is particularly heat-sensitive or susceptible to creasing.

## Understanding the care-label symbols

Drying	
	Normal / higher temperature
	Low temperature* *Select <i>Gentle</i>
	Do not tumble dry

Ironing	
	Very hot
	Hot
	Warm
	Do not iron

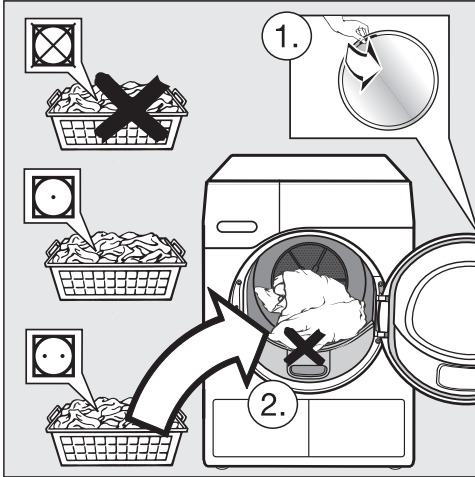
## Selecting the correct drying level

- *Extra dry* for hard-wearing and very thick fabrics.
- *Normal plus* if you want to fold the laundry after drying and put it in the closet.
- *Normal* for textiles that can shrink. Or for light cotton or jersey textiles.
- *Slightly dry* for particularly delicate garments that you wish to line dry afterwards.
- *Hand iron*  $\Delta/\Delta\Delta$  or *Machine iron* if you want to iron the laundry after drying.

## 2. Loading the tumble dryer

### Loading the laundry

Textiles may be damaged.  
Before loading, read “1. Notes on correct laundry care”.



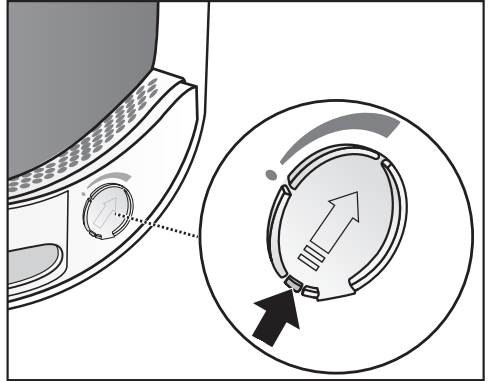
- Unfold the laundry and load loosely into the drum.

Do not overload the drum.  
Overloading can cause unnecessary wear and tear to the laundry, give a disappointing drying result, and cause more creasing.

This can result in damage to the laundry.  
When closing the door, make sure that laundry does not get trapped in the door opening.

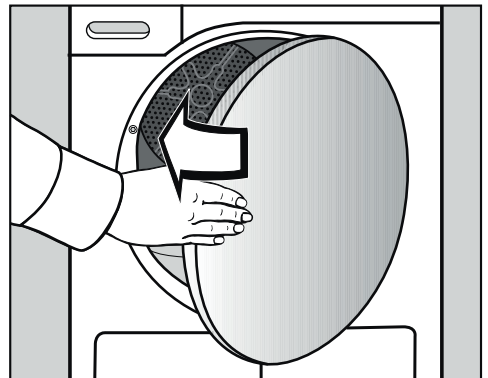
### 2 sockets for inserting fragrance capsules

The “Fragrance capsule” chapter describes how to use the fragrance capsule.



If you are not using a fragrance capsule: push the tab down completely (see arrow) so that the socket is closed. Otherwise, lint will accumulate here.


### Closing the door



- Shut the door with a gentle swing.

### 3. Selecting a program

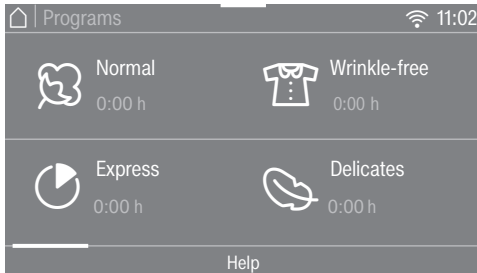
#### Switching on the tumble dryer

- Touch the  sensor button to switch the tumble dryer on.

#### Selecting a program

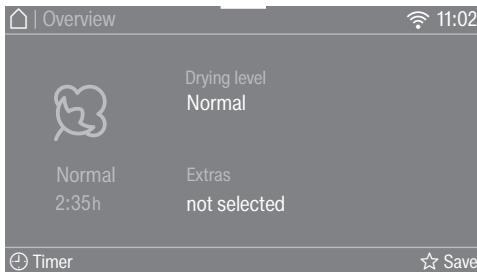
There are various ways to select a program.

- Touch the Programs sensor button.



- Scroll to the right in the display until required program appears.
- Touch the sensor button for that program.

The display will change to the Overview menu.



**Useful tip:** In the pull-down menu, you can menu the maximum recommended load for the selected program.

There are 3 further ways of selecting a program.

1. Favourites
2. Drying assistant
3. MobileStart

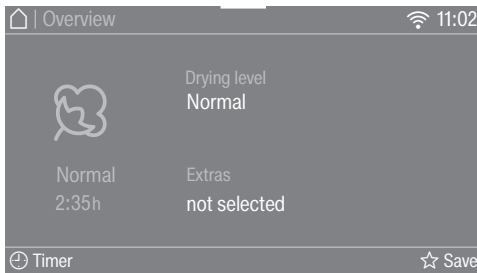
## 4. Selecting program settings

### Program settings

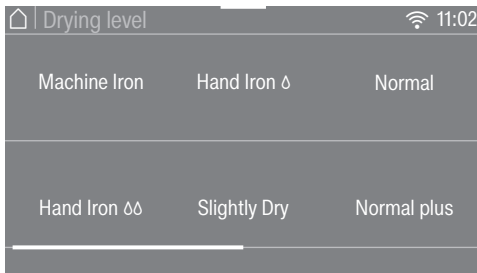
#### Selecting the drying level for programs with a selectable drying level

Normal, Express, Wrinkle-free, Delicates, Dress Shirts, Denims, Bed Linens, Table Linens / Drapes, Outerwear, SoftSteam, Smoothing

The pre-set drying level can be changed if required.



- Touch the Drying level sensor button.



- Scroll in the display until the drying level you want appears.
- Touch the sensor button for the drying level.

Not all drying levels are suitable for use with every program. The range is limited for certain programs.

When selecting the *SoftSteam* program, you must make sure that the condensed water container has been filled as described in these operating instructions (see “Condensed water container”).

#### Time-controlled and other programs

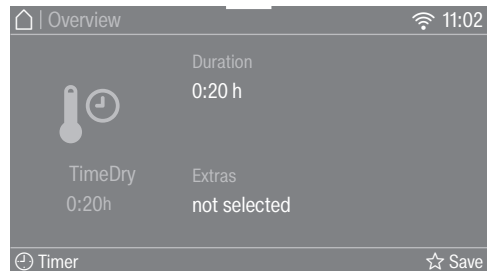
Woollens, Silks, Proofing, Pillows

The drying result is preset by the dryer and cannot be altered.

Time Dry, Cold Air, Basket, DryFresh

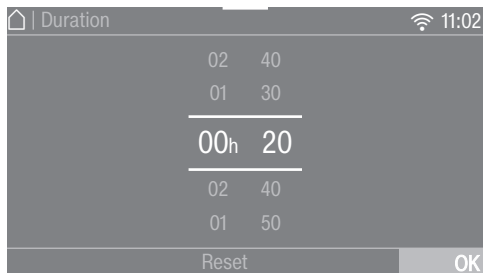
You can change the duration in 10-minute increments.

Cold Air: 20 min – 1:00 h  
Time Dry: 20 min – 2:00 h  
Basket: 40 min – 2:30 h  
DryFresh: 1:00–2:00 h



- Touch the Duration sensor button (only in *Time Dry* program).

## 4. Selecting program settings



- Place your finger on the number that you want to change and move your finger in the direction you want.

- Time Dry

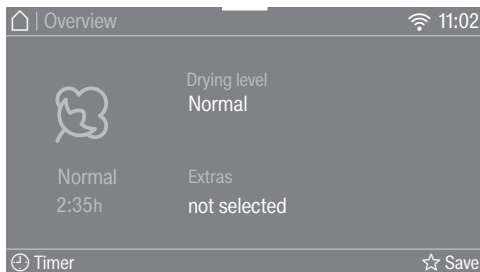
- Confirm with the OK sensor button.

- Cold Air, Basket, DryFresh

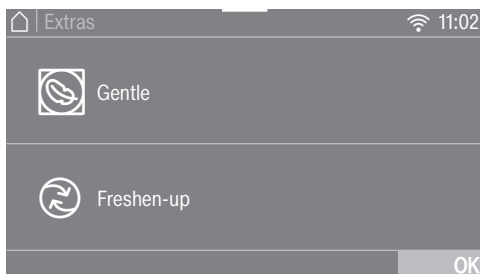
- Touch the *Start/Stop* sensor button.

The program starts.

### Selecting an extra option



- Touch the **Extras** sensor button.



- Touch the sensor button for the extra option you want.

**Useful tip:** Touching the sensor button for an extra option again allows you to deselect it.

You can only select one extra option, as they cannot be combined with one another. See “Extra options” for further information.

- Confirm with the OK sensor button.

The symbol for the selected extra option is displayed.

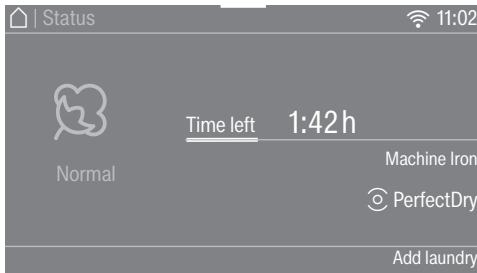
## 5. Starting a program

### Starting a program

The program can be started when the *Start/Stop* sensor button is flashing on and off.

- Touch the *Start/Stop* sensor button.

The *Start/Stop* sensor button lights up constantly.



Drying and the program duration remaining will light up in the display.

The laundry will be cooled down shortly before the end of the program.


**Useful tip:** In the pull-down menu, you can view the selected drying level or duration and the energy consumption.

With programs with a selectable drying level, *PerfectDry* calculates the residual moisture present in the laundry to ensure precise drying results. However, if you load the dryer with little or dry laundry, it will be dried / aired for a set duration.


The *PerfectDry* display will only light up with programs with selectable drying levels:

- hollow point  after a program has started

The drying level reached will still be shown later on.

- solid point  when the drying level is reached

The time left for the drying level programs can vary or “jump”. It depends on the load quantity, type of laundry, residual moisture in the laundry, or water hardness. *PerfectDry* continually adapts, constantly increasing the accuracy of the time left.

 Avoid over-drying laundry and garments.  
Otherwise they can wear out!

### Energy savings

After 10 minutes, the indicators dim and the *Start/Stop* sensor button starts flashing.

- Touch the *Start/Stop* sensor button to switch the indicators on again (this does not have any effect on a running program).

The drum lighting switches off once the program has started.

### Adding laundry

You can add laundry after the program has started.

- Follow the description in “Changing the program sequence – Adding or removing laundry”.

## 6. Program end – removing the laundry

### End of program

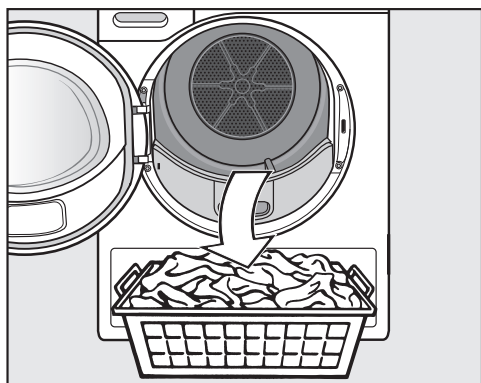
The program is finished when *Finish/Anti-crease* appears in the display. The *Start/Stop* sensor button will no longer light up.

The tumble dryer will switch off automatically 15 minutes after the end of the *Anti-crease* phase (with programs without an *Anti-crease* phase it will switch off 15 minutes after the end of the program).

### Removing the laundry


Only open the door when the drying process has finished. Otherwise, the laundry will not be properly dried through and cooled down.

- Pull the door open at the side with the orange marker.



- Remove the laundry.


Items left in the dryer could be damaged by overdrying when the dryer is used the next time. Always remove all items from the drum.

- Touch the  sensor button to switch the tumble dryer off.
- Remove the lint from the 2 lint filters in the door opening; see “Cleaning and care – Lint filters”.
- Shut the door gently.
- Empty the condensed water container.

**Useful tip:** The condensed water can be used for the *SoftSteam* program. See “Condensed water container – Preparing the condensed water container for the *SoftSteam* program”.

### Drum lighting

The inside of the drum lights up so that you don't forget any items of laundry when you empty it. The drum lighting will go out automatically to save energy.

**Useful tip:** To switch the drum lighting on again, open the pull-down menu from the overview menu and then touch the  sensor button.




# Program chart

All weights marked with \* are based on the weight of dry laundry.

<b>Normal</b>		<b>Full load (17.6 lb/8 kg)*</b>
<b>Extra dry, Normal plus, Normal**, Slightly dry</b>		
Items	Single and multi-layered cotton items. For example, T-shirts, underwear, baby clothes, workwear, jackets, covers, aprons, overalls, hand towels, bath towels, bathrobes and flannelette/bed linen.	
Tip	<ul style="list-style-type: none"> <li>- Select <i>Extra dry</i> for multi-layered and very thick fabrics.</li> <li>- Do not use <i>Extra dry</i> for jersey fabrics (e.g. T-shirts, underwear, baby clothes) because they can shrink.</li> </ul>	
<b>Hand iron<math>\Delta</math>, Hand iron<math>\Delta\Delta</math>, Machine iron</b>		
Items	All cotton or linen fabrics requiring further processing. For example, table linen, bed linen or starched laundry.	
Tip	To prevent laundry from drying out it should be rolled up until you are ready for ironing.	
<p>** Note: The Normal programme with the Normal drying level is the most energy-efficient for drying cotton items with normal residual moisture levels. Using the Normal programme with the Normal drying level is recommended for a mixed cotton load and is the programme used in energy consumption tests to CAN/CSA-C361-16 Standard and DOE test procedure methods specified at 10 CFR 430, Subpart B, Appendix D2.</p>		
<b>Express</b>		<b>Half load (8.8 lb/4 kg)*</b>
<b>Extra dry, Normal plus, Normal, Slightly dry, Hand iron<math>\Delta</math>, Hand iron<math>\Delta\Delta</math>, Machine iron</b>		
Items	Suitable for resistant garments for the <i>Normal</i> program.	
Note	The program duration is shortened.	
<b>Wrinkle-free</b>		<b>Half load (8.8 lb/4 kg)*</b>
<b>Normal plus, Normal, Slightly dry, Hand iron<math>\Delta</math>, Hand iron<math>\Delta\Delta</math></b>		
Items	For wrinkle-free items made of cotton, synthetic or mixed fibre. For example, workwear, overalls, pullovers, dresses, pants, pantyhose and table linen.	

## Program chart

<b>Delicates</b>		<b>Small load (5.7 lb/2.5 kg)*</b>
<b>Normal plus, Normal, Slightly dry, Hand iron<math>\Delta</math>, Hand iron<math>\Delta\Delta</math></b>		
Items	Delicate items with the  symbol on the care label made of synthetic fibre, mixed fibre, rayon and easy care cotton. For example, dress shirts, blouses, lingerie and appliquéd garments.	
Tip	The load should be reduced further for a particularly crease-free drying process.	
<b>Dress Shirts</b>		<b>Small load (4.4 lb/2 kg)*</b>
<b>Normal plus, Normal, Slightly dry, Hand iron<math>\Delta</math>, Hand iron<math>\Delta\Delta</math></b>		
Items	For all shirts and blouses.	
<b>Denims</b>		<b>Small load (6.6 lb/3 kg)*</b>
<b>Normal plus, Normal, Slightly dry, Hand iron<math>\Delta</math>, Hand iron<math>\Delta\Delta</math></b>		
Items	All denim garments, e.g. jackets, jeans, shirts and skirts.	
<b>Woollens</b>		<b>Small load (4.4 lb / 2 kg)*</b>
Items	For woollen garments and fabric containing wool blends. For example, pullovers, knitted jackets, and pantyhose.	
Tip	<ul style="list-style-type: none"> <li>- Woollen garments are loosened and fluffed up in a short amount of time.</li> <li>- The items are not dried completely in this program.</li> <li>- Please remove the garments as soon as the program has finished.</li> </ul>	
<b>Silks</b>		<b>Small load (2.2 lb / 1 kg)*</b>
Items	Silk garments which are suitable for drying in the tumble dryer, e.g., blouses and shirts.	
Note	<ul style="list-style-type: none"> <li>- This program reduces creasing. Items are not dried completely by this program.</li> <li>- Remove the garments immediately after the end of the program.</li> </ul>	

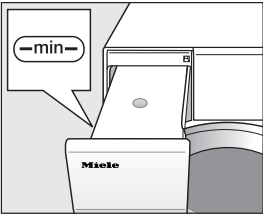
## Program chart

<b>Bed Linens</b>		<b>Half load (8.8 lb/4 kg)*</b>
<b>Extra dry, Normal plus, Normal, Slightly dry, Hand iron<sup>Δ</sup>, Hand iron<sup>ΔΔ</sup>, Machine iron</b>		
Items	Bed linen	
Tip	<ul style="list-style-type: none"> <li>- Select <i>Extra dry</i> for multi-layered and very thick fabrics.</li> <li>- To prevent laundry from drying out it should be rolled up until you are ready for ironing.</li> </ul>	
<b>Table Linens/Drapes</b>		<b>Full load (8.8 lb/4 kg)*</b>
<b>Normal, Hand iron<sup>Δ</sup>, Hand iron<sup>ΔΔ</sup></b>		
Items	For resistant garments made of cottons, linens or polycottons, e.g. table linen, curtains and drapes.	
<b>Outdoor</b>		<b>Small load (5.5 lb / 2.5 kg)*</b>
<b>Normal, Hand iron<sup>Δ</sup></b>		
Items	Outdoor clothing which is suitable for drying in a tumble dryer.	
<b>Proofing</b>		<b>Small load (5.5 lb/2.5 kg)*</b>
Items	For drying microfibre fabrics, skiwear, outerwear, fine, closeweave cotton garments (poplin) and table linen which are suitable for drying in a tumble dryer.	
Note	<ul style="list-style-type: none"> <li>- Items are dried to a <i>Normal</i> level only.</li> <li>- This program includes a proofing fixing phase.</li> <li>- Only use proofing agents which are stated by the manufacturer as being “suitable for use on membrane textiles”. These agents contain fluorochemical compounds.</li> <li>- <b>Risk of fire!</b> Do not dry items which have been treated with proofing agents containing paraffin.</li> </ul>	

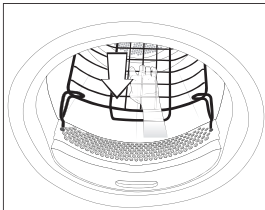
## Program chart

<b>Time Dry</b>		<b>Full load (17.6 lb/8 kg)*</b>
Items	<ul style="list-style-type: none"> <li>- For multi-layered fabric whose layers have different drying characteristics, e.g. jackets, pillows, sleeping bags and other voluminous items.</li> <li>- For drying individual items, e.g. bath towels, swimwear, dish cloths and towels.</li> </ul>	
Tip	Do not select the longest drying time to start with. Check the items as you are drying them to find the optimum time.	
<b>Cold Air</b>		<b>Full load (17.6 lb/8 kg)*</b>
Items	Any item which only needs airing.	
<b>DryFresh</b>		<b>Full load (17.6 lb / 8 kg)*</b>
Items	Any item which only needs airing.	
Note	<p>You can reduce or eliminate unwanted odours in clean, dry textiles. Use this program in conjunction with the DryFresh fragrance capsule (optional accessory<sup>1</sup>). Select a time of at least 60 minutes in order to freshen up the textiles effectively.</p> <p><sup>1</sup> Insert fragrance capsule and set the intensity: see “Fragrance capsule”</p>	

# Program chart


<b>Soft Steam</b>		<b>Very small load (2.2 lb/1 kg)*</b>
<b>Normal, Hand iron<sup>Δ</sup></b>		
Items	<ul style="list-style-type: none"> <li>- All items made of cotton or linen fabric.</li> <li>- For wrinkle-free items made of cotton, mixed or synthetic fibre. For example, pants, anoraks and shirts.</li> </ul>	
Tip	<ul style="list-style-type: none"> <li>- For dampening the items before ironing.</li> <li>- For smoothing items that are creased.</li> <li>- Select <i>Hand iron</i> if the items are to be ironed after drying.</li> </ul>	
Note	<ul style="list-style-type: none"> <li>- At the beginning of the program, the condensed water collected in the condensed water container is sprayed into the drum via a spray jet. The condensed water container must therefore be filled with water to at least the <b>-min-</b> marker.</li> </ul>	
		
	<ul style="list-style-type: none"> <li>- You can hear a humming noise during the spraying process.</li> </ul>	
<b>Pillows</b>		1–2 pillows 15 3/4" (40 x 80 cm) or 1 pillow 31 1/2" (80 x 80 cm)
Items	Pillows suitable for drying in a tumble dryer, with feather, down or synthetic fillings.	
Note/tip:	<ul style="list-style-type: none"> <li>- Items are dried to a <i>Normal</i> level only.</li> <li>- Pillows can still feel damp after being dried. You can use this program several times until the pillow feels dry.</li> </ul>	

## Program chart

<b>Smoothing</b>		<b>Very small load (2.2 lb/1 kg)*</b>
<b>Normal, Hand iron</b>		
Items	<ul style="list-style-type: none"> <li>- Cotton and linen fabric.</li> <li>- For wrinkle-free items made of cotton, mixed or synthetic fibre. For example, pants, anoraks and shirts.</li> </ul>	
Tip	<ul style="list-style-type: none"> <li>- This program smoothes out creasing caused during the spin cycle in the washing machine.</li> <li>- This program is also suitable for dry fabrics.</li> <li>- Please remove the garments as soon as the program has finished.</li> </ul>	
<b>Basket</b>		<b>Load for basket (7.7 lb/3.5 kg)</b>
Note	<ul style="list-style-type: none"> <li>- This program may only be used with the Miele dryer basket (optional accessory) fitted.</li> <li>- It is essential to observe the operating instructions for the dryer basket!</li> </ul>	
		
Fabric type/items	<ul style="list-style-type: none"> <li>- It is essential to observe the operating instructions for the dryer basket!</li> <li>- Only use this program to dry or air items which are suitable for drying in a tumble dryer but which are not suitable for drying using mechanical action.</li> <li>- Do not place shoes inside the drum for drying. Placing shoes inside the drum for drying can cause the belt to tear. You must always use the dryer basket when drying/airing shoes.</li> </ul>	

The drying programs can be augmented with various extra options. The table lists the selection options.

### Gentle

Delicate fabrics (with the  symbol on the care label, e.g., acrylic garments) are dried at a lower temperature and the program duration is longer.

### Freshen up

You can use the *Freshen up* extra option to help remove or reduce odours in clean (dry or damp) clothing.

The drying air is heated up for a specific length of time. After this, the garments are aired to the *Normal* drying level without any more heat being added. The drying level cannot be altered.

The option will be more effective if you dampen the garments a little beforehand, use a fragrance capsule, and reduce the load. Please note that odours will not be removed as effectively from parts of garments made of synthetic fibres.

# Extra options

## Drying program chart – extra options

	Freshen-up <sup>1</sup>	Gentle <sup>1</sup>
Normal	<b>X</b>	<b>X</b>
Express	-	-
Wrinkle-free	<b>X</b>	<b>X</b>
Delicates	-	<b>O</b>
Dress Shirts	<b>X</b>	<b>X</b>
Denims	<b>X</b>	<b>X</b>
Woolens	-	-
Silks	-	-
Bed Linens	-	-
Table Linens/Drapes	-	-
Outdoor	-	<b>O</b>
Proofing	-	-
TimeDry	-	<b>X</b>
Cold Air	-	-
DryFresh	-	-
SoftSteam	-	-
Pillows	-	-
Smoothing	-	<b>O</b>
Basket	-	-

<sup>1</sup> = These extra options cannot be combined with one another

**X** = Can be selected

**O** = Cannot be changed/Always active

- = Cannot be selected



## Creating a Favourite program

You can save your own customized programs under names of your choice.

There are 2 ways to create a Favourite program.

### Option 1

- The main menu must be visible in the display. Touch the **Favorites** sensor button.

The display will change to show the **Favorites** menu.


- Touch the **Create sensor** button.


The display will change to the **Create Favorite** menu.

- Select the program you want to use.
- Select all the program settings you want.
- Then select **Save**.
- Enter a name.

### Option 2

You can save a program which has been selected as a Favourite program before you start it.

- Before the program starts, touch the  **Save sensor** button.
- Enter a name.

If 12 Favourites have already been saved, the **Create** or  **Save sensor** button will not be visible. Delete an existing Favourite if you wish to create a new one.

## Entering a name

It is best to select short, memorable names.

- Tap the letters or characters you want.
- Confirm with the **Save sensor** button.

The program will then be saved to the **Favorites** program list.

## Changing a Favourite program

You can rename, delete, or move a Favourite program.

- Select the **Favorites sensor** button from the main menu.
- Touch the Favourite program that you wish to change until the context menu opens.
- Select **Rename**, **Delete**, or **Move**.

## Drying assistant

The Drying assistant helps you when drying a wide variety of items. The washing machine will use the list of items to put together a suitable drying program.

- Scroll to the second page in the main menu.
- Touch the Drying assistant sensor button.

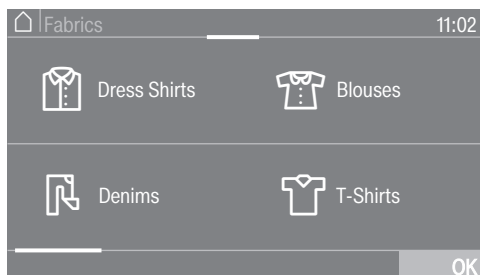
A list will open. The drying purpose is grouped into different areas.



**Useful tip:** Touch the **i** sensor button to find out more about each purpose.

- Touch the sensor button for the Purpose which matches your drying requirement.

A list of items will appear.



- Touch the appropriate sensor button for your item of laundry.

The item selected will be highlighted orange. You can select several items.

With some items, helpful information will also appear in the display when they are selected.

- Confirm with the OK sensor button.
- Follow the instructions in the display.

A summary of the selected parameters will then appear in the display.


- Confirm with the OK sensor button or select Change if you would like to make any changes.

The program which has been tailored to your laundry is ready to start.

**Useful tip:** You can add individual program settings, e.g., extra options before you start the program.


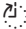
The timer can be used to set the time you wish a program to finish or start at. The program start can be delayed by up to 24 hours.

## Setting the timer

- Touch the  Timer sensor button.
- Select the *Finish at* or *Start at* option.
- Set the hours and the minutes and confirm your entry with the *OK* sensor button.

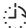
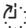
## Changing the timer

The selected timer can be changed before the program starts.

- Touch the  or  sensor button.
- If required, change the specified time and confirm with the *OK* sensor button.

## Deleting the timer

The selected timer can be deleted before the program starts.

- Touch the  or  sensor button.

The selected delay start time will appear in the display.

- Touch the *delete* sensor button.
- Confirm with the *OK* sensor button.

The selected delay start time is deleted.

## Starting the timer

- Touch the *Start/Stop* sensor button.

The time until the program starts will appear in the display.

After the program has started, the selected delay start time can only be changed or cancelled by interrupting the program.

The program can be started immediately at any time.

- Touch the *Start immediately* sensor button.

## Adding laundry during ongoing delay start period

- Follow the description in “Changing the program sequence – Adding or removing laundry”.

With a longer delay start time, the drum will rotate occasionally to untangle the laundry. This is not a fault.

# Timer

---

## SmartStart

The SmartStart function lets you define a time period during which your dryer will start automatically. The start takes place via a signal, e.g., from your energy supplier, that indicates that the electricity tariff is particularly economical.

This function is active when the SmartGrid setting is switched on.

The timeframe can be defined between 1 minute and 24 hours. During this period, the dryer waits for the signal from the energy supplier. If no signal is sent during the defined period, the dryer starts the drying program.

## Setting the timeframe

If you have activated the SmartGrid function in Settings, SmartStart or SmartFinish will appear in the display instead of Start at or Finish at when you touch the ⌚ Timer sensor (see “Settings – SmartGrid”).

The procedure for setting this is the same as for setting the time for delay start.

- Now set the time you want and confirm with the OK sensor button.
- Touch the Start/Stop sensor button to start the drying program with SmartStart.

The selected program will start automatically, as soon as the energy supplier has sent the signal, or the latest calculated start time has been reached.

The procedure for changing or deleting the SmartStart function is the same as described for the Delay start function.

## Changing a program once it has started

You cannot change to another program once a program has started (this prevents unintentional alterations).

You will need to cancel the current program before you can select a new one.

### Canceling a program

- Touch the *Start/Stop* sensor button.

The following will appear in the display:

**i** Cancel the program?

- Select yes.

The following will appear in the display:  
Program cancelled.

- Open the door.

### Selecting another program

- Close the door.
- Select the program you want to use.
- Touch the *Start/Stop* sensor button.

## Adding or removing laundry

You have forgotten an item of laundry, but the program has already started.

- Touch the *Add laundry* sensor button.

The following appears in the display:  
*Add laundry* and *The door can be opened.*  
The *Start/Stop* sensor button will flash slowly.

- Open the door.
- Add or remove laundry items.
- Close the door.
- Touch the *Start/Stop* sensor button.

The program continues.

### Exceptions when adding laundry

In some cases – for example, during the cooling phase or the *Proofing* program – it is not possible to add laundry items.

In exceptional cases, the door can be opened while the program is running.

# Condensed water container

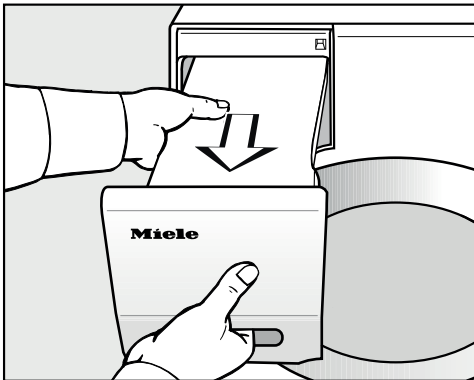
## Emptying the condensed water container

The condensed water is collected in the condensed water container. Empty the condensed water container after every drying program.

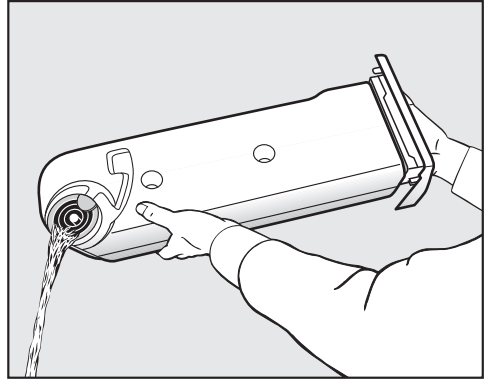
When the maximum level in the condensed water container is reached, the following message lights up in the display: Empty the container or check the drain.

To delete the message:

- Open and close the door (with the dryer switched on).



- Remove the condensed water container.
- To prevent water running out, keep it in a horizontal position when carrying it. Hold the condensed water container by the front panel and at the back.



- Empty the condensed water container.
- Replace the condensed water container in the dryer.

It can cause health problems in people and animals.  
Do not drink condensed water.

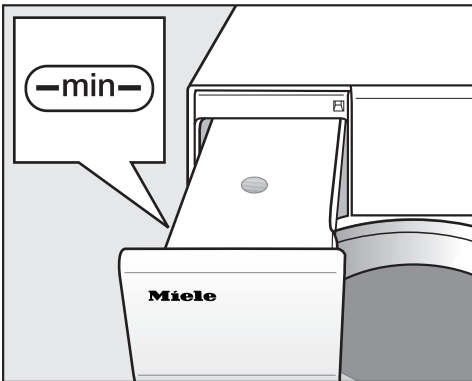
The condensed water can be used for the *Soft Steam* program. The condensed water container must be filled to use this program (see the following section).

# Condensed water container

## Preparing the condensed water container for the SoftSteam program

During the *SoftSteam* program, the condensed water collected in the condensed water container is sprayed into the drum via a spray jet. The condensed water container must therefore be filled with water to at least the **-min-** marker. Otherwise, this could cause a fault.

The **-min-** marker is at the front left-hand side of the container.

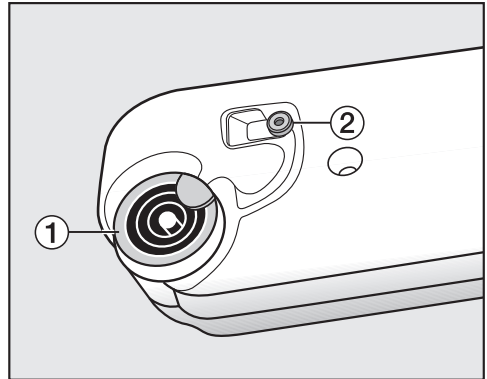


Make use of the condensed water which collects during the drying process.

## Filling the empty condensed water container

- You can fill the condensed water container with commercially available condensed water (ironing water).

You should only use tap water in exceptional circumstances. If tap water is used frequently, however, the spray jet (in the door opening) can become calcified.



1 spout, 2 rubber seal

- Pour the water in through the rings of the spout 1.

The spray jet in the door opening can suffer a blockage.

It should only be filled with clean water. The water must not contain any fragrance, detergent, or other substances.

## Check the rubber seal from time to time

If tap water is used frequently, white limescale deposits can build up on the rubber seal 2.

- Use a damp cloth to carefully remove any limescale deposits from the rubber seal 2.


# Fragrance capsule

## FragranceDos

Fragrance capsules (optional accessories) can be used to give your laundry a pleasant scent.

This tumble dryer has 2 sockets for inserting fragrance capsules. This gives you a choice of how to use them.

- You can use both sockets if you wish to change from one fragrance to another. You can close the fragrance capsule that you are not using.
- Use both sockets if you want a more intense scent of the same fragrance. Or if you wish to conveniently switch between a fragrance for normal laundry and DryFresh to freshen up your laundry.
- To use just one fragrance, use one socket only.

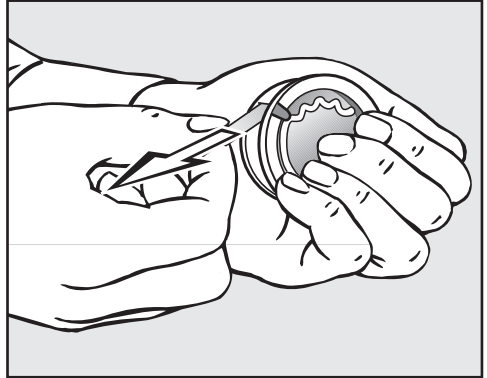
 Risk of fire and harm to health if fragrance capsules are used incorrectly.

Leaked fragrance can be harmful to your health if it comes into contact with your body. Leaked fragrance can cause fire.

Before using a fragrance capsule, please read “WARNING AND SAFETY INSTRUCTIONS – Using a fragrance capsule (optional accessory)”.

## Removing the protective seal from the fragrance flacon

Only hold the fragrance flacon as illustrated. Do not hold it at an angle or tip it as the fragrance will leak out of the pod.



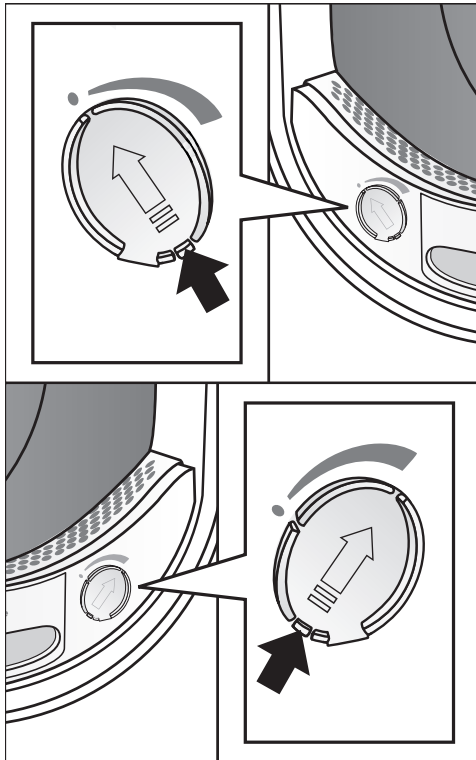
- Hold the pod securely so that you do not open it by mistake.
- Pull off the protective seal.



## Inserting a fragrance capsule

- Open the door of the tumble dryer.

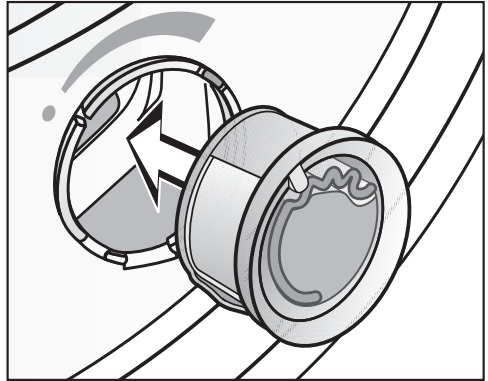
The fragrance capsule is inserted in the upper lint filter. There is one socket on the left-hand side of the recessed grip and another on the right-hand side.



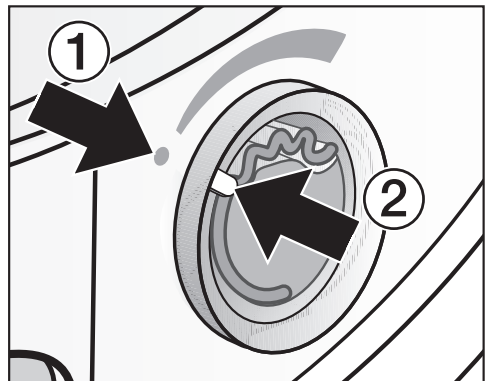
- To open the cover, push the tab all the way up to the top.

If you are not using a socket, keep its cover closed to prevent the accumulation of lint.

Push the tab of the cover all the way down (see arrow), until you hear it click into position.

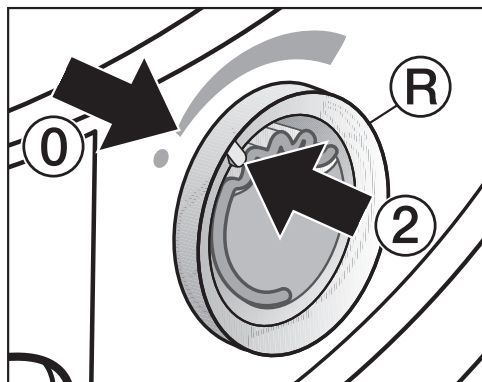


- Insert the fragrance capsule as far it will go into the socket.



The markers ① and ② must line up with one another.

## Fragrance capsule

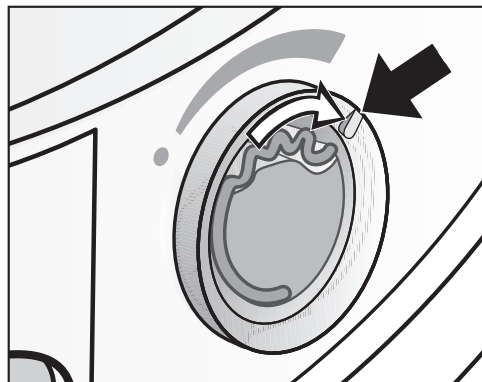


- Turn the outer ring **R** clockwise a little.

The fragrance capsule may slip out. Turn the outer ring so that the markers **2** and **0** line up.

### Setting the fragrance intensity

Before drying, you can select the intensity of the fragrance.



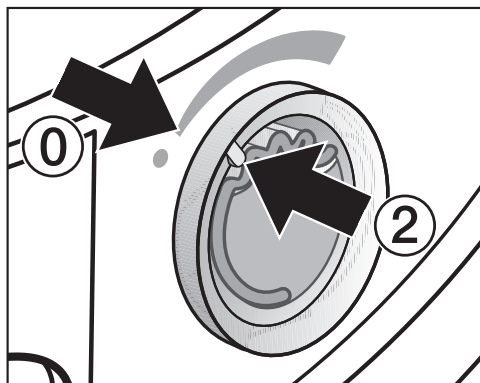
- Turn the outer ring clockwise: the further you open the fragrance capsule, the more intense the fragrance.

Damp laundry and longer drying durations with sufficient heat transfer are needed for the fragrance to be

released into the laundry effectively. The fragrance will also be noticeable in the room air during the process. The *Cold Air* program will not generally apply fragrance.

### Closing the fragrance flacon

After drying, the fragrance flacon should be closed to prevent the fragrance from escaping needlessly.

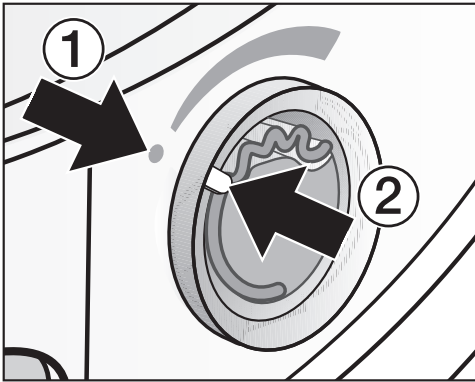


- Turn the outer ring counter-clockwise until marker **2** is in position **0**.

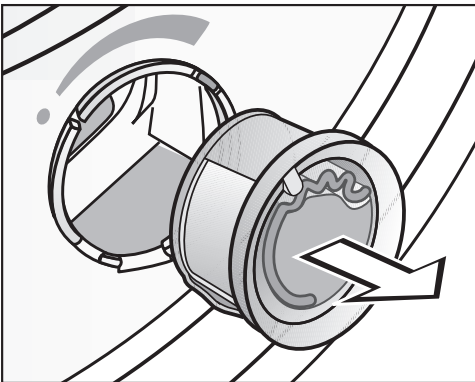
If you wish to dry without the fragrance occasionally: Remove the fragrance flacon and store it in its original packaging.

Replace the fragrance flacon with a new one when the intensity of the fragrance is no longer sufficient.

## Removing / replacing the fragrance capsule



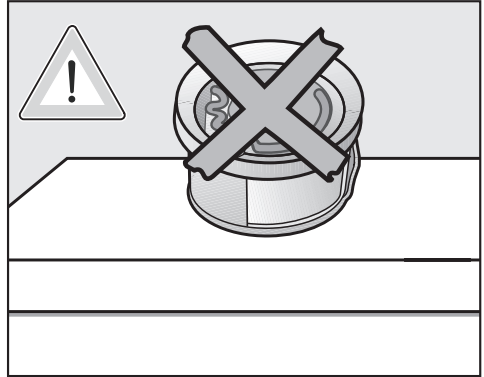
- Turn the outer ring counterclockwise until markers ① and ② line up.



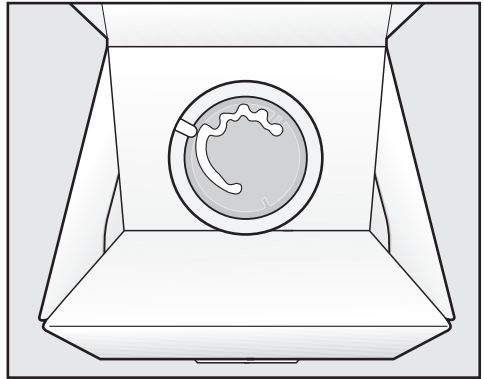
- Replace the fragrance capsule with a new one.

When not in use, you can store the fragrance capsule in its original packaging.

Fragrance capsules are available to order from Miele dealers, Miele Service, or online.



The fragrance can leak out of the capsule.  
Do not lay the fragrance capsule down.



- If you are keeping the fragrance flacon in its original packaging, do not store the packaging upright on its edge or upside down. Otherwise, the fragrance will leak out.
- Always store in a cool, dry place away from direct sunlight.
- When purchasing new fragrance flacons, only remove the protective seal just before use.

# Cleaning and care

## Cleaning the lint filters

This tumble dryer has 2 lint filters in the door opening: the upper and lower lint filters trap lint produced during the drying process.

Clean the lint filters after each drying program. This prevents an extension of the program duration.

Also clean the lint filters when this message appears in the display: Clean the lint and plinth filters. See the Operating Instructions for more information.

To delete the message:

- Confirm with OK.

## Removing the fragrance flacon

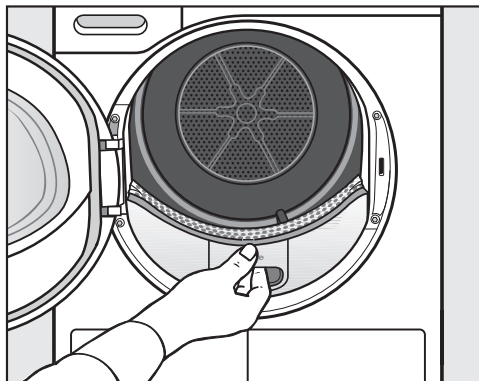
The intensity of the fragrance will be reduced if the lint filters and plinth filter are not cleaned.

- Remove the fragrance flacon. See “Fragrance flacon”, “Removing/replacing the fragrance flacon”.

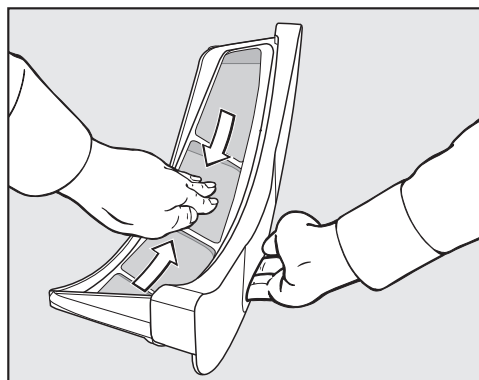
## Removing visible lint

**Useful tip:** You can also use a vacuum cleaner so that you can remove the lint without touching it.

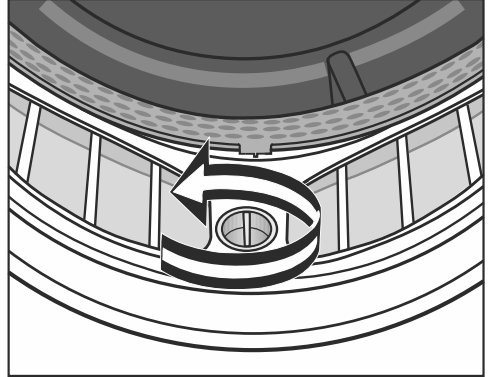
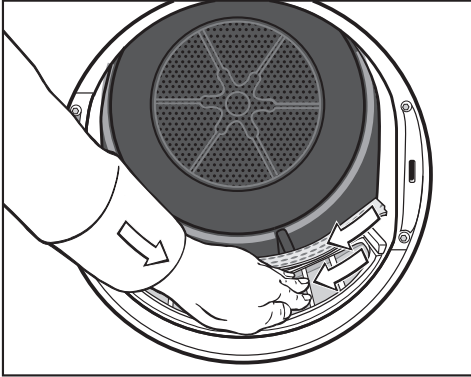
- Open the door.



- Pull the upper lint filter forward to remove it.



- Remove the lint (see arrows).

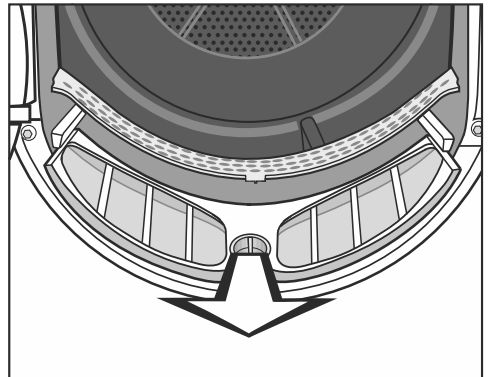


- Remove the lint (see arrows) from the filter surface of all the lint filters and the perforated laundry deflector.
  - Push the upper lint filter back into position until it clicks.
  - Close the door.
- Turn the yellow knob on the lower lint filter in the direction of the arrow (until you hear it click).

### Cleaning the lint filters and air flow openings thoroughly

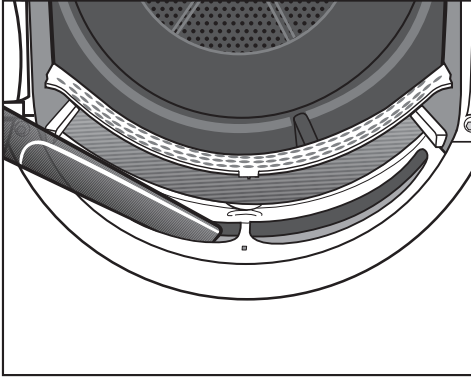
If the drying duration has become longer or the surface of the filters is visibly compacted with lint, you should carry out the following cleaning procedure.

- Remove the fragrance capsule. See "Fragrance capsule".
  - Pull the upper lint filter forward to remove it.
- Hold the knob and pull the lint filter forward to remove it.



## Cleaning and care

---



- Use a vacuum cleaner with a long crevice nozzle attached to remove any visible lint from the upper air flow openings.

Finally, clean the lint filters with water.

### Cleaning the lint filters with water


- Wipe the smooth plastic surfaces of the lint filters with a damp cloth to clean them.
- Rinse the lint filters through with warm running water.
- Shake the lint filters thoroughly and then dry them carefully.

Ensure the filters are dry before replacing them. Wet filters could cause operational faults.

- Push the lower lint filter in completely and lock it with the yellow knob.
- Push the upper lint filter in completely.
- Close the door.


## Cleaning instructions when using fabric softener sheets

If you are using fabric softener sheets, please follow these warnings and instructions.

 First, clean the filters as described in “Cleaning the lint filters with water”.

If the surfaces of the lint filters are still strongly compacted with lint, then follow these measures.

Please note the plastic and surfaces of the lint filters can be damaged by the cleaning process described below!

 If the surfaces of the lint filters are not cleaned, this can extend the drying time and increase the energy consumption.

Try the following 3 cleaning instructions to determine the one that achieves the best results.

### Option 1

- Wipe the surfaces of the lint filters several times with a cleaning cloth with an alcohol base until you have removed the impurities/obstructions.

 Risk of fire!


Then rinse the filter surfaces thoroughly with warm water to remove all residues.

### Option 2

- Clean the lint filters in the dishwasher without any other dishes. Use a high-temperature program (at least 70 °C).

### Option 3

- Wet the surfaces of the lint filters with a liquid colour detergent (e.g. Miele Ultra Colour Liquid Laundry Detergent).
- Leave it on for approx. 2 hours.

 Risk of fire!

Then rinse the filter surfaces thoroughly with warm water to remove all residues.

## Cleaning and care

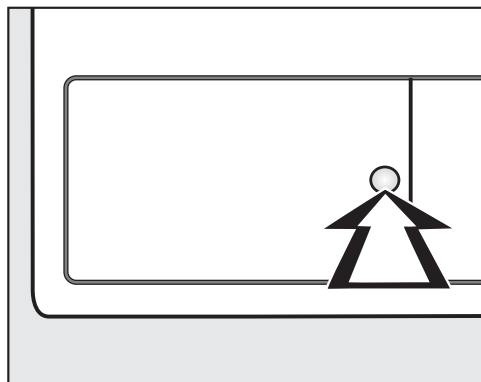
### Cleaning the plinth filter

Clean the plinth filter when the program duration has been extended or when this message appears in the display: Clean the lint and plinth filters. See the Operating Instructions for more information.

To delete the message:

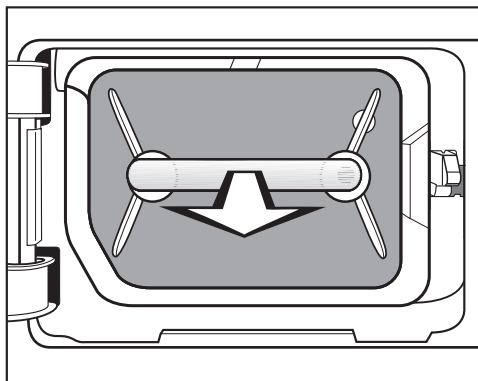
- Confirm with OK.

### Removing the plinth filter



- Press the round, indented area on the heat exchanger access panel to open it.

The flap will spring open.

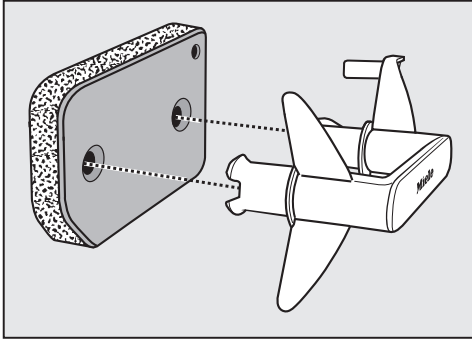


- Pull the plinth filter out by the handle.


The right-hand guide pin comes out when the plinth filter is removed. The guide pin prevents the flap from closing without the plinth filter.



## Cleaning the plinth filter

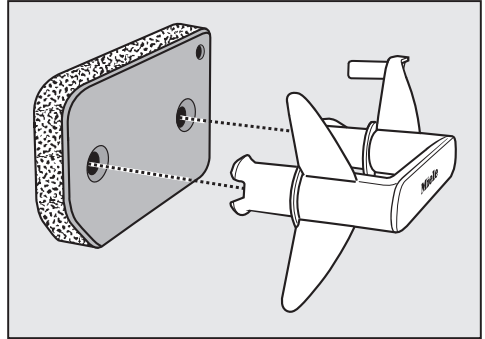


- Pull the handle out of the plinth filter.
- Clean the plinth filter thoroughly under running water.
- Squeeze the plinth filter very carefully several times as you rinse it.
- Rinse the plinth filter until all visible residues have been removed.
- Use a damp cloth to remove any lint from the handle.

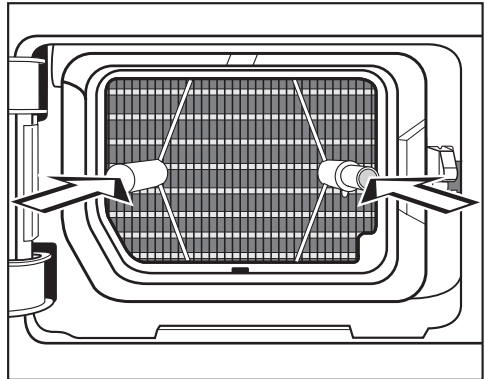
 **Damage caused by a damaged or worn plinth filter.**

The heat exchanger will clog up if the plinth filter is not in good working order. This can cause a fault.

Check the plinth filter following the instructions provided in “Frequently Asked Questions – Replacing the plinth filter”. Replace the plinth filter if necessary.



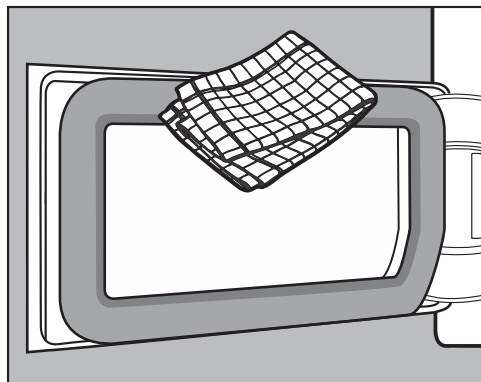
- Fit the plinth filter back on the handle. Make sure it is the correct way round.



- Push the plinth filter in completely. This will push in the right-hand guide pin at the same time.

## Cleaning and care

### Cleaning the plinth filter flap



- Use a damp cloth to remove any lint. Make sure that you do not damage the rubber seal when doing this.
- Close the heat exchanger flap.

**⚠** Damage or ineffective drying if drying takes place without a plinth filter or when the heat exchanger flap is open.

An excessive accumulation of lint can damage the tumble dryer. If the system is not leak-tight, this can make the drying ineffective.

Only operate the tumble dryer with the plinth filter installed and the heat exchanger flap closed.

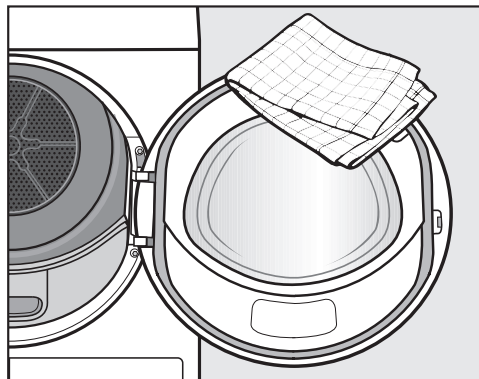
### Cleaning the tumble dryer

Disconnect the tumble dryer from the electrical supply.

**⚠** Damage due to the use of unsuitable care products.

Unsuitable care products could damage plastic surfaces and other parts.

Do not use any solvents, abrasive cleaners, glass cleaners, or all-purpose cleaners.






- Clean the tumble dryer and the seal on the inside of the door with a slightly damp soft cloth, a mild solution of dish detergent, and water.
- Dry all the parts with a soft cloth.

# Frequently Asked Questions


With the help of the following guide, minor faults in the performance of the machine, some of which may result from incorrect operation, can be remedied without contacting the Service Department. This will save you time and money because you won't need a service call.

This guide may help you find the reason for the fault and help you correct it.




## The display indicates messages or faults

Message	Possible cause and solution
000 <b>lights up after switching on.</b>	Access via a PIN code has been activated. <ul style="list-style-type: none"><li>■ Enter the code and confirm the entry. Deactivate the PIN code if you do not wish this message to appear in the display the next time the machine is switched on.</li></ul>
Finish/Cooling Down	The laundry will be cooled down at the end of the program. <ul style="list-style-type: none"><li>■ Either remove the laundry and spread it out to cool down or leave it in the tumble dryer to cool down during the cooling phase.</li></ul>
 Fault F. If restart fails, contact Service <b>lights up after a program has been cancelled.</b>	There is no obvious cause. <ul style="list-style-type: none"><li>■ Switch the dryer off and then on again.</li><li>■ Start a program.</li></ul> If the program terminates again with the same fault message, then there is a fault. Contact Miele Service.
 Fill condensate container with water	Water is taken from the condensed water container when the SoftSteam program is being used. The condensed water container must be filled with water to at least the <b>-min-</b> marker. <ul style="list-style-type: none"><li>■ Fill the condensed water container as described under "Condensed water container".</li><li>■ To switch off the message: press OK.</li></ul>
 Please open and close the door	This is to remind you to load the laundry when the SoftSteam program is selected. <ul style="list-style-type: none"><li>■ Load the laundry in the drum.</li></ul>

## Frequently Asked Questions

Message	Possible cause and solution
<p><b>i</b> Clean the lint and plinth filters. See the Operating Instructions for more information. <b>lights up at the end of a program.</b></p>	<p>The tumble dryer is not working correctly or economically. Possible causes could be clogging caused by lint or detergent residue.</p> <ul style="list-style-type: none"> <li>■ Please see “Cleaning and care” for notes on cleaning.</li> <li>■ Clean the lint filters.</li> <li>■ Also check the plinth filter and clean it if necessary.</li> <li>■ To switch off the message: press OK.</li> </ul> <p>You can influence when the Clean the lint and plinth filters. See the Operating Instructions for more information. message lights up.</p> <ul style="list-style-type: none"> <li>■ To do this, follow the instructions in “Settings – Airway indicator”.</li> </ul>
<p> Clean the lint filter. Check the airways. <b>lights up after a program has been cancelled.</b></p>	<p>The system has been clogged by lint or detergent residue.</p> <ul style="list-style-type: none"> <li>■ To switch off the message: press OK.</li> <li>■ Clean the lint filters and the plinth filter.</li> </ul> <p>Please see “Cleaning and care” for notes on cleaning.</p> <ul style="list-style-type: none"> <li>■ Check that the lint filters and the plinth filter are not damaged or worn.</li> </ul> <p>If all lint filters are damaged, deformed, or cannot be cleaned anymore, they must be replaced. For information on when to replace a plinth filter that is not functioning properly, refer to “Frequently Asked Questions – Replacing the plinth filter”.</p>

## Frequently Asked Questions

Message	Possible cause and solution
 Clean the lint filter. Check the airways. <b>continues to light up after a program has been cancelled, despite thorough cleaning.</b>	<p>The plinth filter looks clean after thorough cleaning. However, the program terminates and the fault message appears again. It is likely that there is still underlying residue that could not be removed.</p> <ul style="list-style-type: none"> <li>■ To switch off the message: press OK.</li> <li>■ Check for the possible causes described below.</li> </ul> <p>The heat exchanger is clogged.</p> <ul style="list-style-type: none"> <li>■ Check the heat exchanger. Follow the instructions described in “Frequently Asked Questions – Checking the heat exchanger”.</li> </ul> <p>The plinth filter is clogged further down.</p> <ul style="list-style-type: none"> <li>■ Check the plinth filter. Follow the instructions described in “Frequently Asked Questions – Replacing the plinth filter”.</li> <li>■ If the plinth filter is not deformed or defective, you can reactivate it in the washing machine. Follow the instructions described in “Frequently Asked Questions – Reactivating the plinth filter”.</li> </ul>
 Empty the container or check the drain. <b>lights up after a program has been cancelled.</b>	<p>The condensed water container is full or there is a kink in the drain hose.</p> <ul style="list-style-type: none"> <li>■ Empty the condensed water container.</li> <li>■ Check the drain hose.</li> </ul> <p>To switch the fault message off:</p> <ul style="list-style-type: none"> <li>■ Open and close the door while the dryer is switched on or switch the dryer off and back on again.</li> </ul>
 Blockage detected. Untangle laundry and restart <b>lights up after a program has been cancelled.</b>	<p>The laundry is unevenly distributed or has rolled up.</p> <ul style="list-style-type: none"> <li>■ Open the door and loosen the laundry. Remove a few items if necessary.</li> <li>■ Switch the dryer off and then on again.</li> <li>■ Start a program.</li> </ul>

## Frequently Asked Questions

---

### Unsatisfactory drying results

Problem	Possible cause and solution
<b>The laundry is not sufficiently dry.</b>	The load consisted of different types of fabric. <ul style="list-style-type: none"><li>■ Finish drying using the <i>Time Dry</i> program.</li><li>■ Select a more suitable program next time.</li></ul> Tip: You can alter the residual moisture level for some programs. See “Settings”.
<b>The laundry or feather-filled pillows develop a smell after drying.</b>	The laundry was washed with insufficient detergent. Feathers have the property of developing a significant odour when they are warm. <ul style="list-style-type: none"><li>■ Laundry: use sufficient detergent</li><li>■ Pillows: take out of the tumble dryer and air them</li><li>■ Use a fragrance capsule (available as an optional accessory) for your favourite fragrance.</li></ul>
<b>Items made of synthetic fibres are charged with static electricity after drying.</b>	Synthetic fibres tend to attract static charge. <ul style="list-style-type: none"><li>■ Static charge can be reduced by adding a fabric softener to the final rinse in the washing program.</li></ul>
<b>There is a build-up of lint.</b>	Lint is principally the result of friction when garments are being worn and to some extent when they are being washed. Machine drying hardly causes any lint to form. Lint is collected by the lint filters and the plinth filter and can be removed easily. <ul style="list-style-type: none"><li>■ See “Cleaning and care”.</li></ul>

## Frequently Asked Questions

### The drying cycle duration is very long


Problem	Possible cause and solution
<p><b>The drying process goes on too long or even switches off.*</b></p>	<p>The room in which the tumble dryer is located is too warm.</p> <ul style="list-style-type: none"> <li>■ Ventilate the room thoroughly.</li> </ul>
	<p>Detergent residue, hair, and fine lint can clog the filters.</p> <ul style="list-style-type: none"> <li>■ Clean the lint filters and the plinth filter.</li> <li>■ Remove visible lint               <ul style="list-style-type: none"> <li>– at the bottom left, behind the panel in the heat exchanger cavity (see “Cleaning and care”)</li> <li>– at the bottom right of the cooling fins behind the grille (see the end of this section)</li> </ul> </li> </ul>
	<p>The laundry is unevenly distributed or has rolled up. The drum is too full.</p> <ul style="list-style-type: none"> <li>■ Untangle the laundry and remove a few items.</li> <li>■ Start a program.</li> </ul>
	<p>The cold air intake (bottom right grille) is blocked.</p> <ul style="list-style-type: none"> <li>■ Move any objects such as a laundry basket away from the dryer.</li> </ul>
	<p>The laundry is too damp.</p> <ul style="list-style-type: none"> <li>■ Spin using a higher spin speed in the washing machine.</li> </ul>
	<p>Metallic components, e.g. zippers, have prevented the dryer from registering the correct moisture level.</p> <ul style="list-style-type: none"> <li>■ Open the zippers next time.</li> <li>■ If the problem recurs, dry these items using the <i>Time Dry</i> timed drying program.</li> </ul>

\* Switch the tumble dryer off and on again before starting a new program.

# Frequently Asked Questions

---

## General problems with the tumble dryer

Problem	Possible cause and solution
<b>You can hear operating noises (buzzing / humming).</b>	<p>This is not a fault. The compressor (heat pump) is operating or you have selected the <i>SoftSteam</i> program.</p> <ul style="list-style-type: none"><li>■ No action required. These noises are quite normal and can be heard when the compressor or the condensed water pump is operating.</li></ul>
<b>A program does not start.</b>	<p>There is no obvious cause.</p> <ul style="list-style-type: none"><li>■ Connect the power plug.</li><li>■ Turn on the tumble dryer.</li><li>■ Close the door.</li><li>■ Check whether the fuse has tripped.</li></ul>
	<p>Power outage? When power is restored, any previously running program will restart automatically.</p>
<b>The display is dark and the <i>Start/Stop</i> sensor button is flashing slowly.</b>	<p>The display has switched off automatically to save energy (Standby mode). The drum will turn at intervals in the Anti-crease phase.</p> <ul style="list-style-type: none"><li>■ Press any button. This switches Standby off.</li></ul>
<b>The tumble dryer is switched off at the end of the program.</b>	<p>The tumble dryer switches off automatically. This is not a fault, but a normal function.</p>
<b>The display is in a different language.</b>	<p>A different language has been selected in “Settings, Language ”.</p> <ul style="list-style-type: none"><li>■ Set the language you want. The flag symbol will guide you.</li></ul>
<b>The interior drum lighting does not come on.</b>	<p>Not a fault. The drum lighting switches off automatically in the following cases: If the door is closed. If the door remains open for an extended period of time.</p>



## Frequently Asked Questions

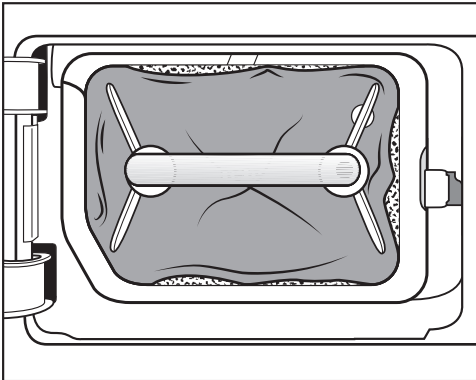
Problem	Possible cause and solution
<b>Insufficient spray for the Soft Steam program.</b>	The lint filter in the condensed water container is clogged. ■ Clean the lint filter in the condensed water container. See “Lint filter in the condensed water container”.
	The spray jet in the door opening is heavily calcified. ■ Replace the spray jet. See “Spray jet for the Soft Steam program”. ■ Only use condensed water. Do not use tap water. The frequent use of tap water leads to limescale deposits.

# Frequently Asked Questions

## Replacing the plinth filter

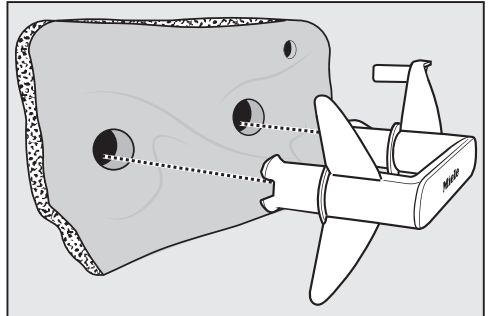
The heat exchanger can clog up. Replace the plinth filter immediately if you see the following signs of wear before or after cleaning (optional accessory).

### Poor fit



The edges of the plinth filter do not sit properly and the plinth filter is deformed. Lint will blow into the heat exchanger unfiltered through edges that do not sit properly. This will cause a permanent obstruction in the heat exchanger.

### Deformation



Deformations indicate that the plinth filter has become worn.

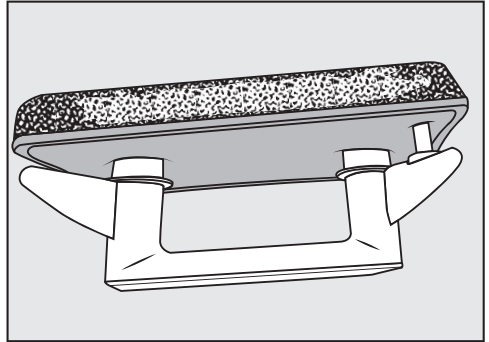
## Frequently Asked Questions

### Cracks, tears, indentations



Lint will blow into the heat exchanger through cracks and tears. This will cause a permanent obstruction in the heat exchanger.

### White residues or residues of other colours



Residues arise from laundry fibres and traces of detergent components. They can be found on the front and side edges of the plinth filter. In extreme cases, they can form stubborn crust. Residues are a sign that the plinth filter no longer has a snug fit at the sides, even if it appears to be perfect: lint is getting in unfiltered at the edges.

Reactivate the plinth filter. If these residues appear on the plinth filter again soon after cleaning, the plinth filter must be replaced.

# Frequently Asked Questions

## Reactivating the plinth filter

You can reactivate one or more dirty plinth filters in the washing machine. You will then be able to use the plinth filter again.

Prior to reactivation, check that the plinth filter is in good order. Check the plinth filter following the instructions provided in “Frequently Asked Questions – Replacing the plinth filter”. Replace the plinth filter if it has worn out.

- Wash the plinth filter(s) separately, not with any laundry items. Do not add any detergent.
- Select a short wash program with a maximum temperature of 40°C and a maximum spin speed of 600 rpm.

You can re-insert the plinth filter once the wash and spin cycle is complete.

## Checking the heat exchanger unit

⚠ Risk of injury from sharp cooling fins.

You could cut yourself.

Do not touch the cooling fins with your hands.

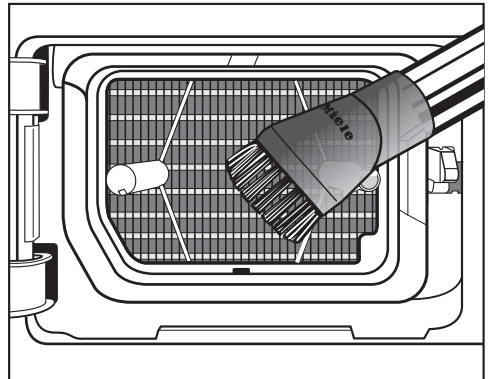
- Look to see if lint has accumulated.

Remove any lint you can see.

⚠ Damage due to incorrect cleaning of the heat exchanger.

The tumble dryer will not dry if the cooling fins are damaged or bent.

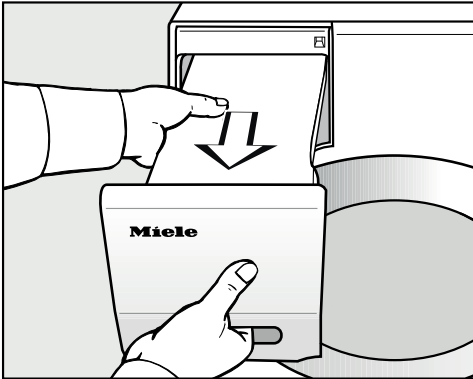
Clean using a vacuum cleaner with a dusting brush attached. Only pass the vacuum cleaner dusting brush over the heat exchanger fins lightly, without applying any pressure.



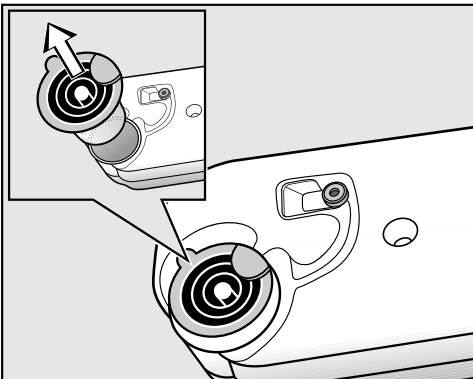
- Vacuum up any lint and residues.

### Cleaning the lint filter in the condensed water container

In some circumstances, there can be problems running the *SoftSteam* program. The lint filter at the end of the hose which is connected to the rubber seal in the condensed water container could be blocked.

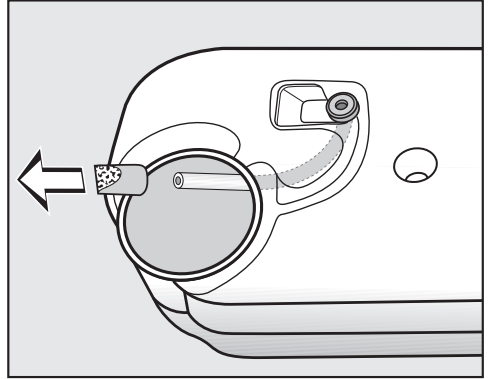


- Remove the condensed water container.



- Pull out the spout. Remove the spout by holding the side lug and pulling upwards.

⚠ To avoid detaching the hose, be careful not to tug on it!




- Guide the end of the hose through the opening and hold it securely with one hand.
- Use your other hand to pull the lint filter off the hose.
- Rinse the lint filter with a jet of water until all the lint has been removed.
- Refit the cleaned lint filter onto the hose.
- Now feed the hose with its lint filter attached into the condensed water container.
- Refit the spout in the condensed water container ensuring that it is positioned correctly. Please refer to the image.

# Frequently Asked Questions

## Replacing the blocked spray jet for the SoftSteam program

Limescale deposits will impair the spray jet.  
In this case, the spray jet must be removed and replaced with a new one (see “Optional accessories”).

You can only replace the spray jet using a special tool. The special tool is supplied with the new spray jet.

 Using the wrong tool can cause damage.

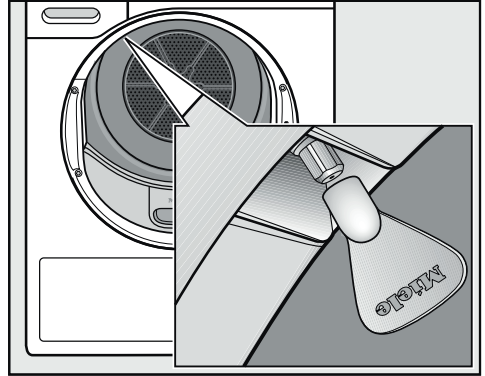
Doing so can damage the spray jet or the tumble dryer.

Only use the tool supplied. Do not use any other tool.

The *SoftSteam* program must never be used without the spray jet fitted and screwed in correctly.

- Open the door of the tumble dryer.

The spray jet is located in the top left of the door opening.



- Attach the tool to the spray jet.
- Turn the tool counterclockwise to unscrew the spray jet.
- Insert the new spray jet in the tool.
- Turn the tool clockwise to screw the spray jet securely in position.

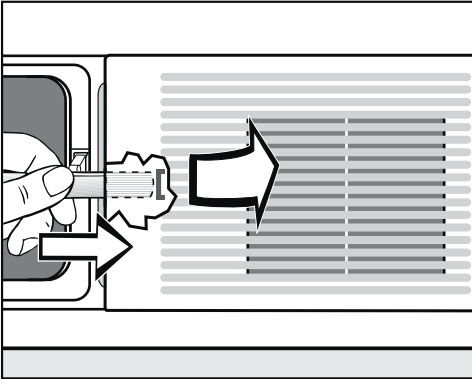
## Frequently Asked Questions

### Bottom right grille

⚠ In general, the cooling fins behind the grille on the bottom right do not need cleaning. They should only be cleaned if the drying process is taking an exceptionally long time due to a very high level of dust or lint in the room in which the dryer is located!

- First open the flap for the plinth filter (bottom left).

To remove the grille, the catch underneath it needs to be released using a teaspoon.

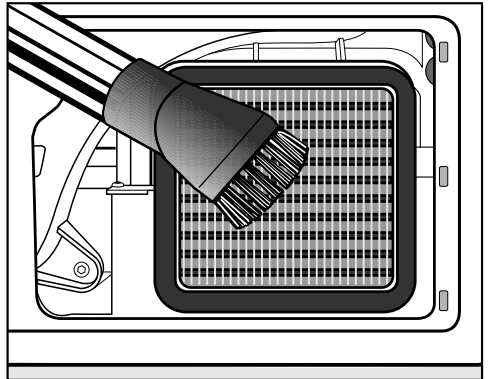


- Insert a spoon handle underneath the grille in the middle.
- Press the spoon handle against the catch and lever the grille open.
- Remove the grille.

⚠ Danger of injury! Do not touch the cooling fins with your hands. You could cut yourself.

⚠ Clean using a vacuum cleaner with a dusting brush attached. Only pass the vacuum cleaner brush over them lightly, without applying any pressure.

Take care not to bend the cooling fins out of shape or to damage them!



- Carefully vacuum up any visible lint or dirt.
- Re-insert the three hooks on the grille into the appropriate holes in the front of the dryer.
- Press the grille firmly back into position by pressing it in at the middle on the left.

# Technical Service

---

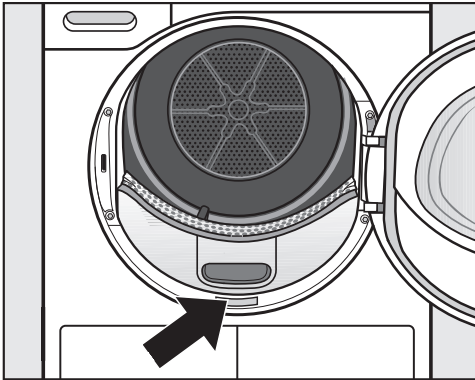
## Contact in the event of a fault

In the event of a fault which you cannot remedy yourself, please contact your Miele dealer or Miele Service.

Contact information for Miele Service can be found at the end of this document.

Please quote the model identifier and serial number of your appliance (SN) when contacting Miele Service. This information can be found on the data plate.

Open the door of your tumble dryer to find the data plate:



## Warranty

For further information, please refer to your warranty booklet.

## Optional accessories

Optional accessories for this tumble dryer are available from Miele Technical Service.

You also can order these and many other useful products from the Miele online shop or Miele Experience Centers.

## Dryer basket

The dryer basket enables items which must not be subjected to mechanical action to be dried or aired.

## Fragrance capsule

A fragrance capsule can be used in your tumble dryer to add a pleasant fragrance to your laundry.



## WARNING AND SAFETY INSTRUCTIONS

---

### **WARNING – Fire hazard**

- ▶ Follow the installation instructions in order to reduce the risk of serious or fatal injury.
- ▶ The installation of the tumble dryer must be carried out by a qualified specialist.
- ▶ The tumble dryer must be installed in accordance with local regulations.
- ▶ Unauthorized repairs could result in unforeseen dangers for the user, for which Miele cannot accept liability. Repairs should only be carried out by a Miele approved service technician, otherwise any subsequent damage will not be covered by the warranty.
- ▶ In the event of a fault or during cleaning and maintenance, the tumble dryer is only completely disconnected from the electricity supply when the tumble dryer plug has been removed or if the fuse has been disconnected or if the screw-out fuse has been removed. Do not switch on the supply until the task has been completed.

### ▶ **GROUNDING INSTRUCTIONS**

The electrical safety of this dryer can only be guaranteed when continuity is complete between it and an effective grounding system. It is essential that this standard safety requirement is observed and regularly tested. If in any doubt, please have the electrical installation inspected by a qualified electrician. Miele cannot be held liable for the consequences of an inadequate grounding system. The electrical socket must be easily accessible so that the dryer can be disconnected from the electricity supply.

- ▶ **WARNING** – If the grounding conductor is connected incorrectly, this can result in electric shock. Contact a qualified electrician if you are unsure whether the appliance is properly grounded.
- ▶ Do not change the plug: If it does not fit into the socket, you should have a proper outlet installed by a qualified electrician.

## WARNING AND SAFETY INSTRUCTIONS

---

- ▶ Do not connect the dryer to the domestic electricity supply by a multi-socket adapter, extension cord or similar. These do not guarantee the required safety of the machine (fire hazard due to the risk of overheating).
- ▶ This tumble dryer may only be operated in non-stationary locations (e.g. on ships) if the installation has been carried out by a qualified installer or a service agency in strict accordance with national and local safety requirements and standards.
- ▶ Do not install the tumble dryer in a room where there is a risk of frost occurring. At temperatures around freezing point the tumble dryer may not be able to operate properly.
- ▶ This dryer is not intended for wall-insert.
- ▶ Should you have any questions regarding installation, please get in touch at:

### **USA**

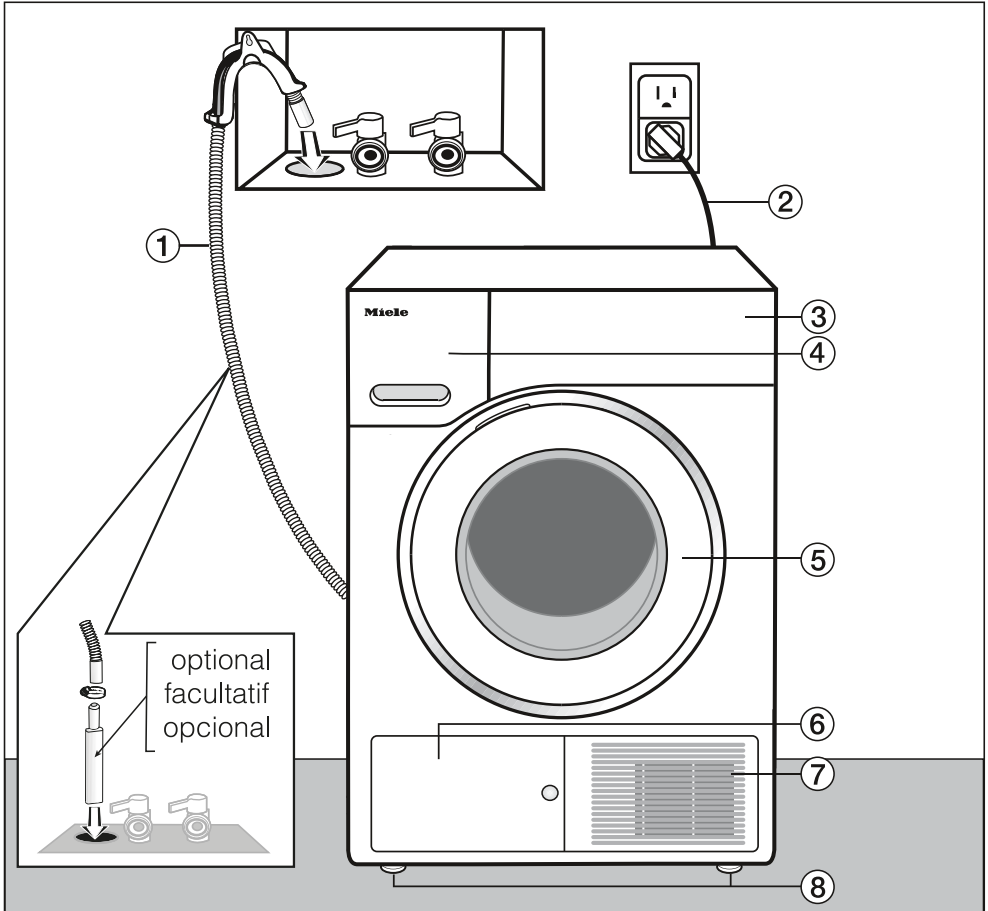
1-800-999-1360 [techserv@mieleusa.com](mailto:techserv@mieleusa.com)

### **CDN**

1-800-565-6435 [service@miele.ca](mailto:service@miele.ca)

**KEEP THESE OPERATING INSTRUCTIONS IN A SAFE PLACE**

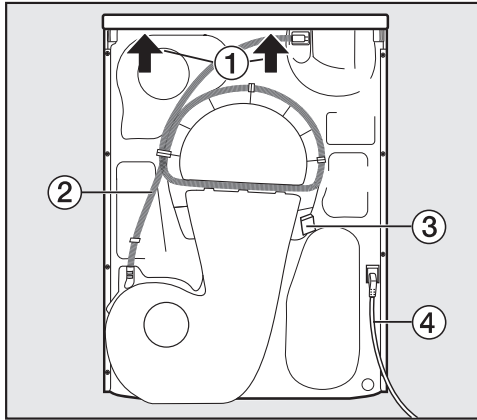
## Front view



- ① Drain hose for condensed water
- ② Power cord
  - ⚠ Observe the section entitled “Electrical connection”!
- ③ Control panel
- ④ Condensed water container
  - empty after every drying cycle
- ⑤ Door
  - do not open during drying
- ⑥ Access panel to the heat exchanger and plinth filter
  - do not open during drying
- ⑦ Cold air intake grille
  - do not obstruct with a laundry basket or other objects
- ⑧ four height-adjustable screw feet


# Installation

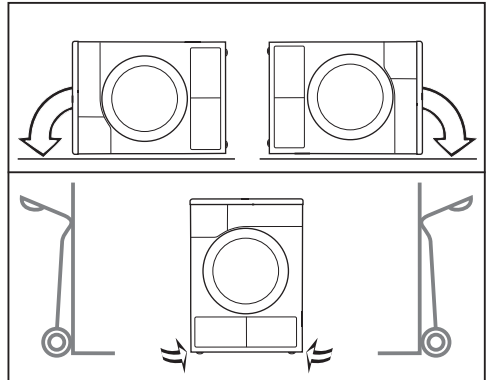
## Rear view



- ① Protruding lid for holding when moving the tumble dryer (see arrows)
- ② Drain hose for condensed water
- ③ Hook for winding the power cord during transport
- ④ Power cord


## Transporting the tumble dryer

 **Danger of injury to people and damage to property caused by moving the appliance incorrectly.**  
If the tumble dryer tips up, there is a danger of injury to people and damage to property.  
Ensure that the tumble dryer is stable during transportation.



- If the tumble dryer is being transported on its side, it must be tipped onto its left or right side.
- If the tumble dryer is being transported upright and you are using a hand truck, you must transport it with its left or right side resting on the truck.

## Transporting the tumble dryer to its installation site

 The fixings at the back of the lid may become brittle due to external circumstances.

There is a danger of the lid being pulled off when carrying the appliance.

Before carrying the appliance, check that the lid is secure where it protrudes at the back of the appliance.

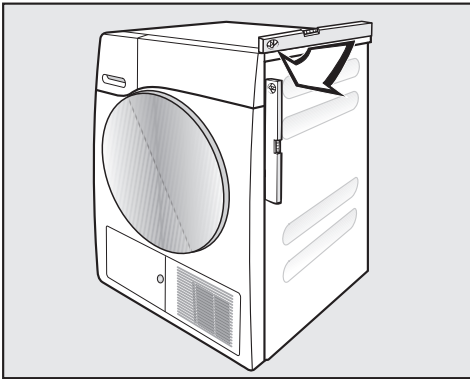
- Carry the tumble dryer by the front feet and by the lid where it protrudes at the back of the appliance.

## Installation

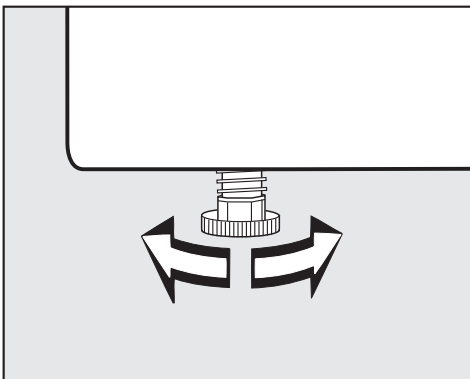
### Installation

#### Levelling the tumble dryer

⚠ Ensure that no closeable door, sliding door or an oppositely hinged door is installed that would hinder the door of the dryer being opened in any way.



The appliance must stand perfectly level to ensure safe and proper operation.



The screw feet can be adjusted to compensate for unevenness in the floor.

#### Downtime after installation

⚠ Damage caused by switching the appliance on too soon.

This can damage the heat pump. After setting up the tumble dryer, wait for at least one hour before starting a drying program.

#### Ventilation

The cold air intake at the front of the dryer must not be blocked or covered. This would hinder a sufficient intake of cold air for the heat exchanger.

Do not block the gap between the bottom of the tumble dryer and the floor with plinth facings, deep pile carpet, etc. This would otherwise hinder a sufficient flow of air to the tumble dryer.

The hot air that is blown out from the heat exchanger warms the room air. Ensure sufficient ventilation of the room: e.g., open the window. The drying time will otherwise take longer (higher energy requirement).

# Installation

## Before moving the tumble dryer again

A small quantity of condensed water that remains in the area around the pump after the drying process can run out if the dryer is tilted.

Recommendation: Start the *Time Dry* program for approx. 1 minute before transporting the dryer. Any remaining condensed water will then be fed into the condensed water container (which you will need to empty again) or out through the drain hose.

## Additional installation requirements

⚠ All installations must be carried out in accordance with local regulations.

### Slot-in

This tumble dryer is suitable for pushing under a countertop.

⚠ It is very important to avoid a build-up of heat. The warm air which is expelled from the dryer must be able to dissipate. Warm air which cannot dissipate could cause a fault!

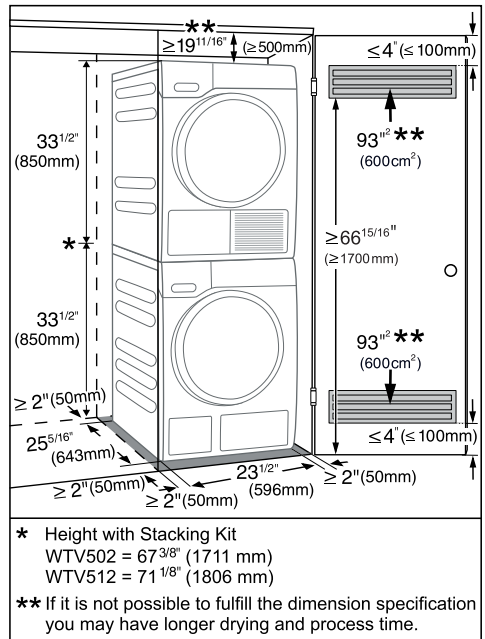
- The appliance lid must not be removed.
- The electrical socket must be located in an accessible position near the tumble dryer.
- Drying durations may increase slightly.

## Installing the dryer in a closet

### Minimum installation distance

⚠ You must insert sufficiently large ventilation openings into the closet door. You can also open the closet door slightly while the dryer is operating.

Otherwise, the dryer can overheat, which can cause a fault!




⚠ Ensure that the dryer door can be opened at any time. Ensure that the laundry can be removed at any time without hindrance.

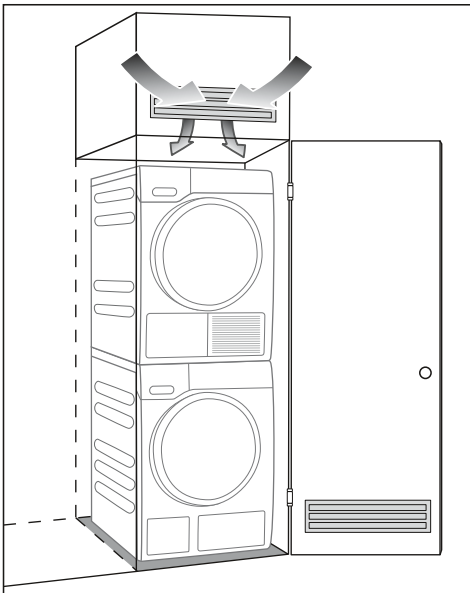
## Installing the dryer in a floor-to-ceiling closet

You can also insert a ventilation opening at the top of the closet. In addition, you must also provide an opening on the bottom side of the closet door.

Direct ventilation is also possible via an air conditioning outlet in the closet.

 The air must be able to circulate freely at the top of the closet.

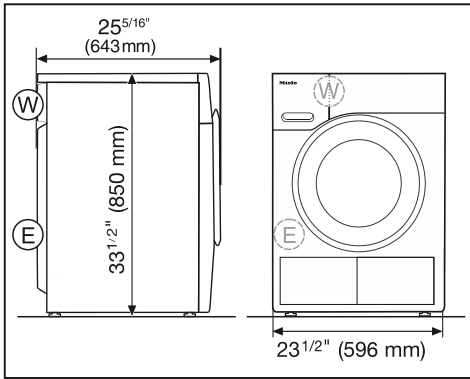
The air supply must not be hindered by an additional closet or shelf!



# Installation

## Product dimensions

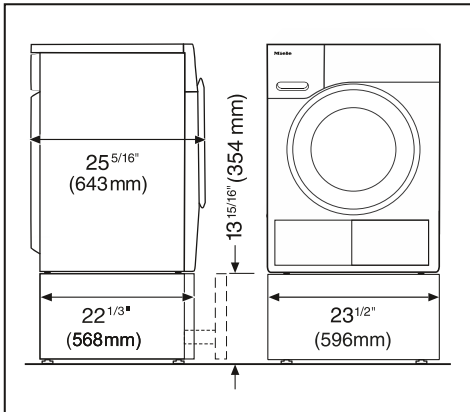
### Dimensions



- Ⓜ 1.60 m drain hose, detachable, top right on the rear
- ⓔ 2 m wiring, bottom right on the rear

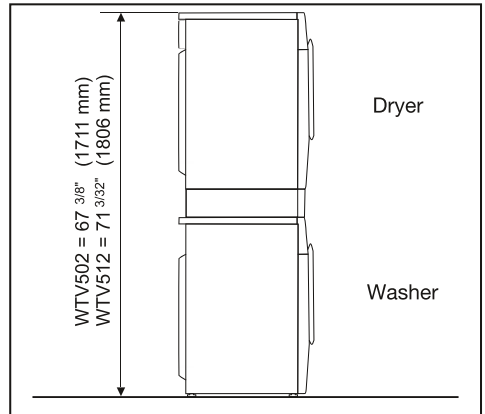
### Installation on a plinth

- WTS 510



## Washer-dryer stack

- WTV502 or WTV512





## Electrical connection

### ⚠ GROUNDING INSTRUCTIONS

The electrical safety of this dryer can only be guaranteed when continuity is complete between it and an effective grounding system. It is essential that this standard safety requirement is observed and regularly tested. If in any doubt, please have the electrical installation inspected by a qualified electrician. Miele cannot be held liable for the consequences of an inadequate grounding system. The electrical socket must be easily accessible so that the dryer can be disconnected from the electricity supply.

**WARNING** – If the grounding conductor is connected incorrectly, this can result in electric shock. Contact a qualified electrician if you are unsure whether the appliance is properly grounded.

Do not change the plug: If it does not fit into the socket, you should have a proper outlet installed by a qualified electrician.

The dryer is equipped with a 6' 7" (2 m) power cord with plug. The dryer is connected to a NEMA 5-15 socket with an electrical connection of 120 V, 60 Hz, 15 A.

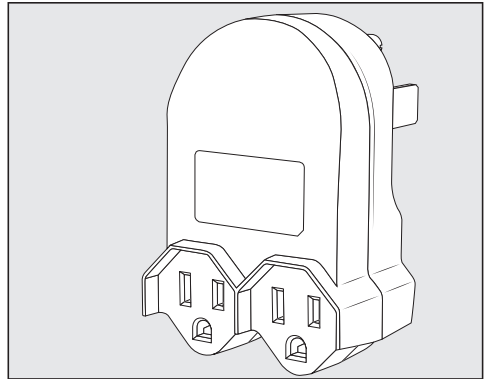
The manufacturer recommends operating the appliance on a dedicated circuit to avoid overloading the electrical circuit.

## Connection adapter for NEMA 14-30 socket

⚠ If a NEMA 14-30 socket is provided on-site for the dryer, the Miele connection adapter\* can be used.

Observe the following description to avoid damage to the dryer.

**Useful tip:** \* You can order the connection adapter directly from Miele (USA or CDN).



- The connection adapter has a NEMA 14-30 plug and two NEMA 5-15 socket-side connectors. The dryer and washing machine can therefore be connected to the 120 V / 60 Hz electricity supply.
- The connection adapter is equipped with two 15 A fuses which protect both the connected appliances and the connection adapter.

# Installation

## External draining of condensed water


### Note

When drying is in progress, condensed water is pumped into the condensed water container through the drain hose which is located at the back of the dryer.

The condensed water can also be externally drained away via the drain hose on the back of the dryer. This means that the condensed water container no longer has to be emptied.

Drain hose length: 1.60 m  
Maximum delivery head: 1.00 m  
Maximum drain hose length: 4.00 m

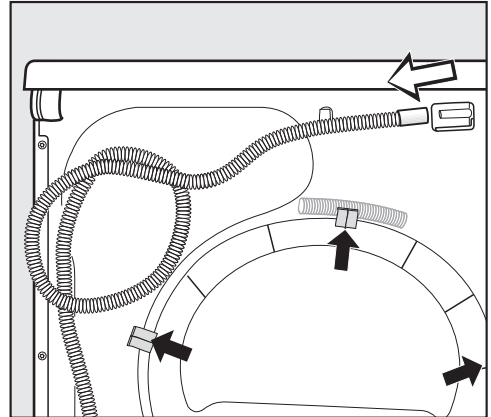
### Laying the drain hose

 Damage to the drain hose through incorrect handling.

The drain hose can suffer damage and leak.

Do not pull on the drain hose and do not stretch it or allow it to become kinked.

There will be a small amount of residual water left in the drain hose. Have a container ready to collect this.




- Pull the drain hose off its connection (light arrow).
- Pull the hose out of the holders (dark arrow) and unwind it.
- Allow any residual water to run into a container.

### Condensate drain

The drain hose on the back of the dryer can be inserted into the drainage mechanism.

- Attach the end of the hose to the drainage mechanism.

 Secure the drain hose carefully (e.g. by tying it) to make sure it cannot slip.

Overflowing water can cause damage.

## Changing the door hinging

You can change the door hinging on this tumble dryer yourself.

For safety reasons, the tumble dryer must be disconnected from the electricity supply before changing the door hinging.

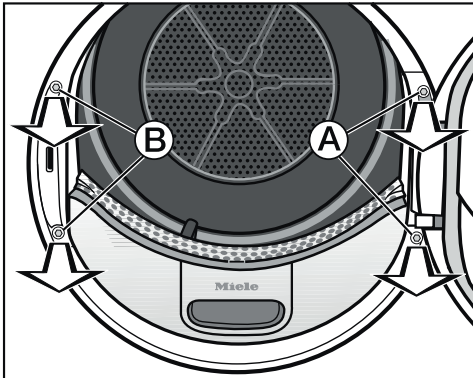
You will need:

- a Torx T20 and T30 screwdriver
- a flat head screwdriver or pointed pliers
- the lock catch cover supplied
- the door hinge cover supplied
- a soft surface (e.g. a blanket)

### Changing the hinging over

#### 1. Remove the door from the tumble dryer

- Open the door.



- Use a T30 Torx screwdriver to unscrew the two screws on the base plate of the door hinge (A).

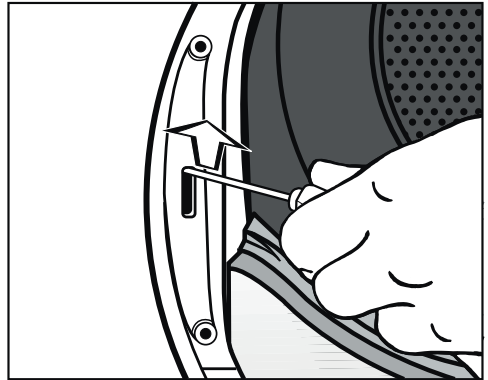
The door cannot fall off.

- Hold the door securely and pull it forwards: to remove the door you will need to pull the base plate of the hinge with its 2 pins out of the dryer.

⚠ To avoid scratching the door, place it outer side downwards on a soft surface (e.g. a blanket).

#### 2. Change over the door lock on the dryer

- Use a Torx T30 screwdriver to unscrew the two screws on the door lock (B).

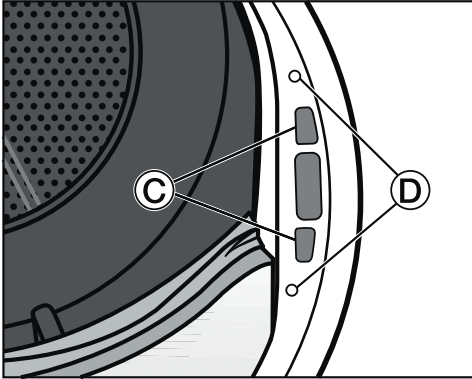


- Use the screwdriver to press the door lock upwards.

The door lock will spring out of its position and can then be removed.

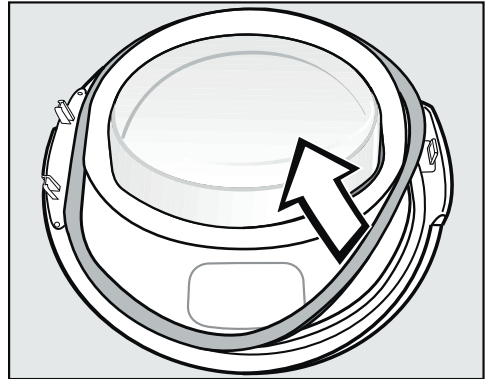
# Installation

- Turn the door lock by 180°.

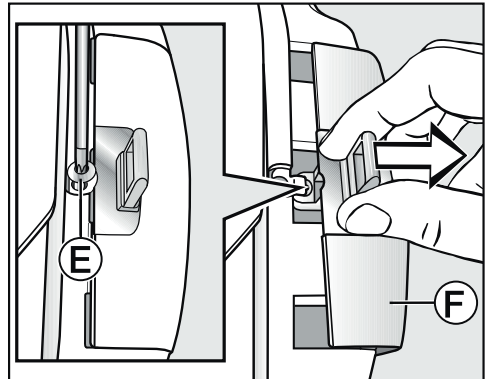


- Press the door lock into the openings © on the opposite side of the door opening.
- Adjust the position of the door lock so that the screw holes line up with those in the front panel of the dryer ©.
- Screw in both Torx screws in order to secure the door lock.

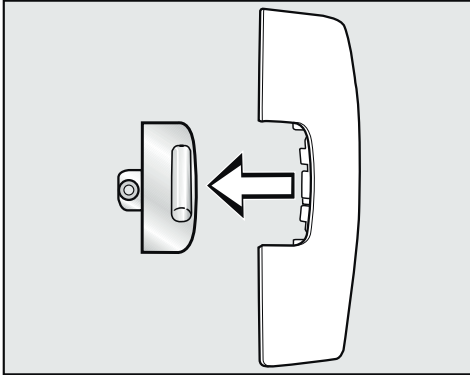
## 3. Remove the lock catch from the door



- First take the rubber seal off the door and place this to one side.

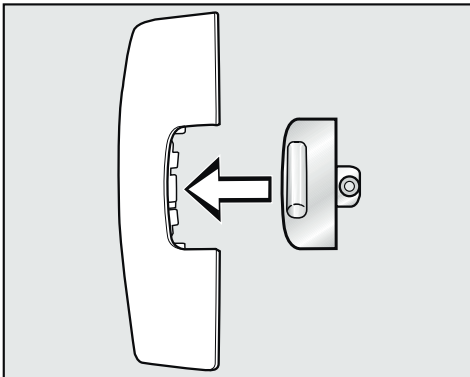


- Use a T20 Torx screwdriver to remove screw © on the lock catch.
- Pull off the lock catch together with the lock catch cover ©.



- Remove the lock catch from the cover.

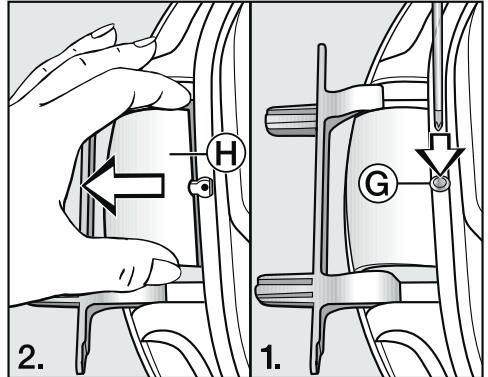
This lock catch cover is no longer needed.



- Insert the lock catch into the new cover supplied with the dryer.
- Place this new lock catch cover to one side for now.

## 4. Dismantle the door hinge from the door

The door hinge cover must be unclipped from position ③ and then removed.



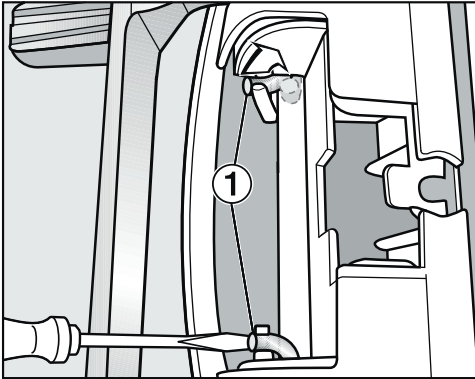
- Use a screwdriver to press down gently on position ③ on the door hinge cover.
- Using a little force, pull out door hinge cover ④.

This door hinge cover is no longer needed.

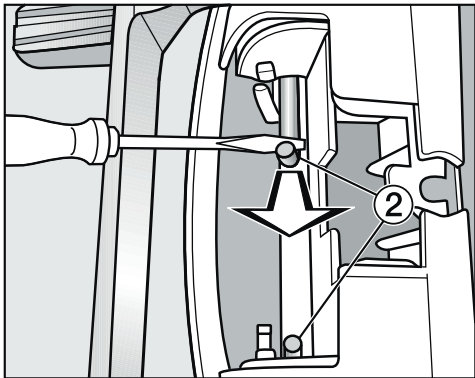
# Installation

## 5. Change the door hinge on the door

The door hinge is secured to the door with 2 angled rods. These rods need to be removed with a screwdriver or pointed pliers.



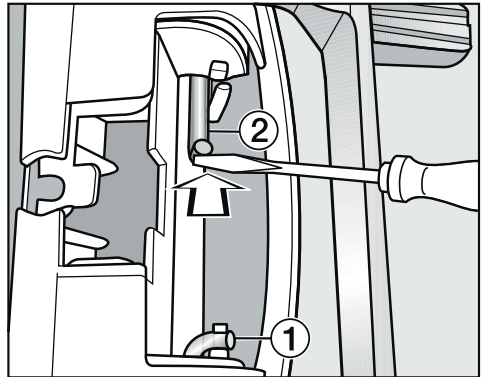
- Insert the end of the screwdriver blade under rod ① and rotate it so it is in an upright position. Do the same to the other rod.




- Use the screwdriver or pointed pliers to guide first one then the other rod ② to the middle until each can be removed.

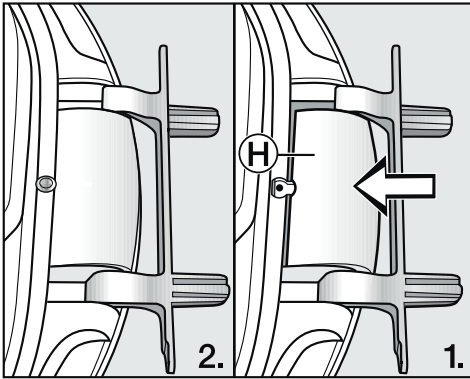
**Useful tip:** In some circumstances, the rods can be difficult to dislodge. Moving the screwdriver with a levering action while pulling at the same time may help to work the rods free.

- Remove the door hinge and turn it through 180°.
- Refit the door hinge on the opposite side of the door.




- Secure the door hinge with the two rods ②.
- Position the screwdriver under the end of the rod and then push it into its resting position ①.

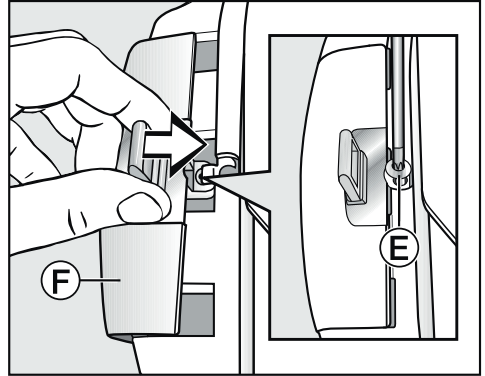
 You now need the new door hinge cover supplied with the dryer.



- Fit new door hinge cover **H** and clip it into position.

## 6. Change the lock catch on the door

 You now need the new lock catch cover supplied with the dryer which you have already fitted with the lock catch.

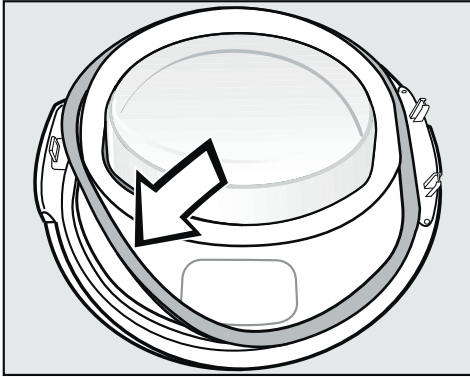


- Push the lock catch cover **F** with its lock catch into position.
- Tighten the screw **E**.

# Installation

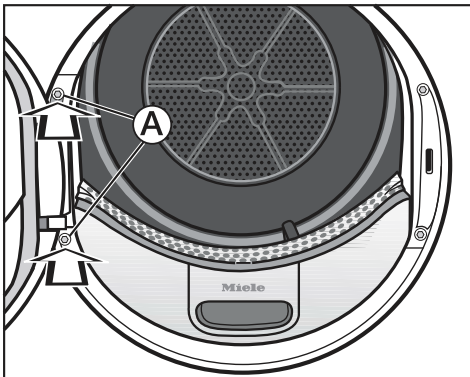
## Refitting

### 7. Refit the door



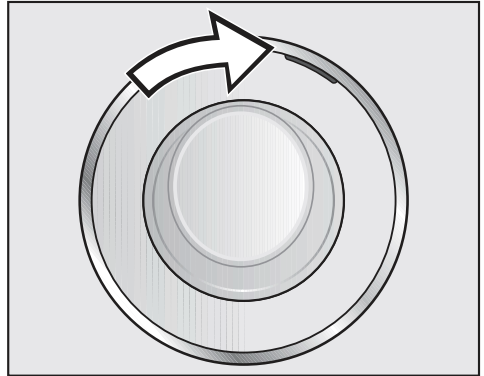
- Press the rubber seal back into the groove on the door.
- Position the door in front of the dryer.
- Fit the base of the door hinge with its 2 pins into the openings on the dryer.

The base of the door hinge must be flush with the front panel of the dryer. The door cannot fall off in this position.



- Screw the door securely to the dryer at the base of door hinge (A).

⚠ Now that you have changed the door hinging, the door will open from the opposite side.



- Push the orange marker round to the other side so that you will see at which side to pull the door open.

⚠ Please keep the lock catch and door hinge covers which were no longer needed in a safe place. These will be required if, for example, you move to a new house and need to change the door hinging back to its original position.



## Technical data

Height	33 7/16" (850 mm)
Width	23 7/16" (596 mm)
Depth	25 5/8" (643 mm)
Depth with door open	42 3/8" (1077 mm)
Slot-in	Yes
Stackable	Yes
Weight	Approx. 137 lbs (62 kg)
Drum volume	31.7 gal (120 L)
Load quantity	17.6 lb (8 kg) dry laundry
Capacity of condensed water container	1.27 gal (4.8 L)
Hose length	63" (1.60 m)
Maximum head height	39 1/3" (1.00 m)
Maximum drain hose length	157 1/2" (4.00 m)
Length of connection cable	78 3/4" (2.00 m)
Connection voltage	See data plate
Connected load	See data plate
Fuse	See data plate
Test certificates awarded	See data plate
LEDs	Class 1
Frequency band	2.4000 GHz – 2.4835 GHz
Maximum transmitting power	< 100 mW

# Settings

---

You can alter the tumble dryer's electronics to suit changing requirements with the settings. The settings can be altered at any time.

## Calling up settings

- Switch the tumble dryer on.
- Scroll to the second page in the main menu.
- Touch the Settings sensor button.

## Selecting settings

The settings are grouped into different areas.

- Select the required area.
- Scroll through the list until the setting you want appears.
- Touch the sensor to select the setting you require.

## Changing a setting

- Change the value displayed and confirm with OK.

or

- Touch an option to select it.

An option which is selected will be highlighted orange.

The option is saved. The display will then switch to the Settings menu, or go back to the previous menu level.

## Closing the Settings menu

- Touch the ↶ sensor button.

The display will then go back to the previous menu level.


- Touch the ⏠ sensor button.

The display will change to the main menu.

## Operation / display

### Language

The display can be set to appear in one of several different languages.

The flag  after the word Language acts as a guide in case a language which is not understood is set.

The language selected is saved to memory.

### Code

The PIN code prevents your dryer being used without your knowledge.

#### Options

- Activate  
If the PIN code has been activated, you have to enter the PIN code after switching the dryer on. Otherwise the dryer cannot be operated.  
The factory default PIN code is 250.
- Change  
You can enter a PIN code of your own.

If you forget the PIN code, only Miele Service can unlock the tumble dryer. Make a note of the new PIN code.

- Deactivate  
For using the dryer without entering the code. Only appears when the PIN code has been activated in advance.

### Memory

The dryer saves the settings that were selected last for a drying program (drying stage and/or extra option, or the duration for some programs).

When the program is chosen again, the saved settings will appear in the display.

#### Options

- Off (factory setting)
- On

The activation of the delay start, the buzzer, or the EcoFeedback data are not saved.

### Clock display

After selecting the clock format, you can set the time of day.

#### Options

- Clock format  
The clock format is set.
  - 24 h (factory setting)
  - 12 h
- Time  
The current time is set.

# Settings

---

## Volume

The volume can be changed for the buzzer that sounds when the dryer is switched on and at the end of the program. The volume of the buzzer that sounds when a sensor button is touched can also be changed.

### Options

- Finish tone
- Keypad tone
- Welcome Tone

It can be set to one of 7 different levels or switched off altogether.

## Display brightness

The brightness of the display can be altered.

They can be set to one of 7 different levels.

medium setting (factory setting)

### **“Display” off status**

To save energy, the display and sensor buttons will go out after 10 minutes and the *Start/Stop* button will flash slowly. You can alter this setting.

### Options

- Off  
The display will remain on (i.e., it will never go out).
- On  
The display will go out (after 10 minutes):
  - if a program is not selected after the dryer has been switched on
  - during the current program
  - at the end of a program
- On -Not in current prog.  
(Factory setting)  
The display will go out (as described above) but will remain on while the program is running.

You can switch the display back on by touching any sensor button.

## Networking

### Miele@home

Control the networking of your dryer with your WiFi network.

The following points may appear in the submenu:

#### Set up

This message only appears if the tumble dryer has not yet been connected to a WiFi network.

Please refer to “Initial commissioning” for instructions on how to set up the connection.

#### Activate

(visible if Miele@home is deactivated)

The WiFi function is reactivated.

#### Deactivate

(visible if Miele@home is activated)

Miele@home remains set up; the WiFi function is turned off.

#### Connection status

(visible if Miele@home is activated)

The following values are displayed:

- the quality of WiFi reception
- the network name
- the IP address

#### Set up again

(visible if set up)

Resets the WiFi login (network) to immediately re-establish a new connection.

#### Reset

(visible if set up)

- The WiFi is switched off.
- The WiFi connection will be reset to the factory default.

The network configuration should be reset whenever a tumble dryer is being disposed of or sold, or if a used tumble dryer is being put into operation. This is the only way to ensure that all personal data has been removed and the previous owner will no longer be able to access the tumble dryer.

A new connection setup has to be carried out in order to use the Miele@home setting again.

# Settings

---

## SmartGrid

The SmartGrid setting is only visible if the Miele@home setting is set up and activated.

This function can be used for starting your tumble dryer automatically at a time when your energy costs are most economical.

Activating SmartGrid gives the *Delay start* button a new function. Use the “delay start” button to set the SmartGrid. The tumble dryer will then start within the timeframe specified when it receives a signal from the energy supplier. If it has not received a signal from the energy supplier by the latest start time set, the tumble dryer will start automatically (see “Delay start”).

SmartGrid is deactivated as standard.

## Remote Control

The Remote Control setting is only visible if the Miele@home setting is set up and activated.

Once the Miele@mobile app has been installed on your mobile device, you can check the status of your tumble dryer from anywhere and start it remotely. You can also control it remotely via the *MobileStart* function.

You can switch off the Remote Control setting if you do not want to operate the dryer with your mobile device.

If Remote Control is not switched on, the app can cause the program to be cancelled.

Use the “delay start” button to set a time at which you wish to start the tumble dryer and start the delay start (see “Delay start / SmartStart”). The tumble dryer will then start within the timeframe specified when it receives your signal.

If it has not received a start signal from the energy supplier by the latest start time set, the tumble dryer will start automatically.

Remote control is activated by default.

## RemoteUpdate

The RemoteUpdate function is used for updating the software in your tumble dryer.

RemoteUpdate is activated by default.

If you do not install a RemoteUpdate, you can continue to use your tumble dryer in the usual way. However, Miele recommends installing RemoteUpdates.

## Activation

The RemoteUpdate menu option is only displayed and can only be selected if you have added your tumble dryer to your WiFi network (see “Settings – Miele@home”).

Miele’s RemoteUpdate function can only be used if the tumble dryer is connected to a WiFi network and you have an account in the Miele@mobile app. The tumble dryer must be registered in the app.

See the Miele@mobile app for terms and conditions of use.

Some software updates can only be carried out by Miele Service.

## Running a RemoteUpdate

If a RemoteUpdate is available for your tumble dryer, it will be displayed automatically for you.

You can choose to start the RemoteUpdate immediately or wait until later. If you select “Start later”, the prompt to run the RemoteUpdate will be displayed again the next time you switch on your tumble dryer.

The RemoteUpdate can take a few minutes.

Please note the following information about the RemoteUpdate function:

- You will only receive a message when a RemoteUpdate is available.
- Once a RemoteUpdate has been installed, it cannot be undone.
- Do not switch off the tumble dryer during a RemoteUpdate. Otherwise, the RemoteUpdate will be aborted and will not be installed.

# Settings

---

## Program sequence

### Anti-crease

The Anti-crease function reduces creasing after the end of the program.

The drum will continue to rotate for up to 2 hours after the drying cycle has finished. This helps to reduce creasing.

### Options

- Off (factory setting)
- 1 h
- 2 h

## Drying levels

You can alter the drying levels for the *Cottons* and *Wrinkle-free* programs.

They can be set to one of 7 different levels.

medium setting (factory setting)



## Appliance parameters

### Airways indicator


Lint should be removed after drying. In addition, this indicator will remind you to clean the filters when a certain amount of lint has collected in them:

**i** Clean the lint and plinth filters. See the Operating Instructions for more information.

You can decide at what level of lint this reminder should be given.

#### Options

You will have an idea of how often this should be done after a few drying programs.

- Off  
This reminder does not appear. However, if there is a very severe blockage in the ducting, the program will be cancelled and the fault message  
 Clean the lint filter. Check the airways. will appear in the display regardless of this option.
- Heavy  
The reminder only appears when there is a heavy build-up of lint.
- Normal (factory setting)
- Delicate  
The reminder appears when there is only a small build-up of lint.

### Conductivity

This setting is only relevant for regions with very soft water.

Very soft water can result in unsatisfactory drying results.

You should only select this setting if the water used for washing the laundry is extremely soft with a conductivity reading (electrical conductivity) less than 150  $\mu\text{S}/\text{cm}$ . Contact your local water authority for the conductivity level of your domestic water supply.

#### Options

- Normal (factory setting)
- low <150mS (only for regions with very soft water)

# Settings

---

## Legal Information

### Open source licenses

You can view information here.

### **Copyrights and licenses for operator and control software**

For the purpose of operating and controlling the appliance, Miele uses proprietary or third-party software that is not covered by open source licensing terms. These items of software/software components are protected by copyright. The copyright powers of Miele and third parties must be respected.

In addition, the appliance contains software components which are distributed under open source licensing terms. You can access these open source components along with the associated copyright notices, copies of the valid licensing terms, and any further information in the appliance under the menu option **Settings | Appliance parameters | Legal information | Open source licences**. **The liability and warranty arrangements for the open source licences displayed at this location only apply in relation to the respective rights holders.**

**Please have the model and serial number  
of your appliance available when  
contacting Customer Service.**

---

**Canada  
Importer  
Miele Limited**

**Headquarters and Miele Centre**

161 Four Valley Drive  
Vaughan, ON L4K 4V8  
[www.miele.ca](http://www.miele.ca)

**Customer Care Centre**

Phone: 1-800-565-6435  
[customercare@miele.ca](mailto:customercare@miele.ca)

**Germany  
Manufacturer**

Miele & Cie. KG  
Carl-Miele-Straße 29  
33332 Gütersloh

TXR 860 WP

en-CA

M.-Nr. 11 677 050 / 02