

Installation plan Commercial Washing Machine PW 6321 EL/RH Electrically heated







It is **essential** to read these instructions before installing and using the appliance. This prevents both personal injury and damage to the appliance.

en-AU, NZ

Contents

Installation notes	3
Explanation of the safety instructions and warnings on the machine.....	3
Installation requirements	3
General operating conditions	3
Installation	4
Electrical connection	4
Water connection	5
Cold water connection	6
Hot water connection	6
Hard water connection	6
Drain valve.....	6
Dispenser pump connections	7
Optional accessories.....	8
BSK = Payment system kit.....	8
Peak load cut-out kit (BSS)	8
XKM RS232 communication module	9
Vapour and foam venting kit (APWM 063)	9
Installation	10
Installation	10
Installation	12
Dimensions.....	12
Standard floor anchoring.....	13
Technical data	14
Voltage versions and electrical data.....	14
Connection for equipotential bonding.....	14
Water connections	14
Cold water connection	14
Hard water connection	14
Waste water (drain valve).....	14
Anchoring	15
Fittings.....	15
Floor anchoring	15
Emissions	15
Appliance data	15
Transport data	15

Explanation of the safety instructions and warnings on the machine

	Read the operating instructions
	Read the instructions e.g. installation instructions
	Warning: hot surfaces
	Caution: voltage up to 1000 volts
	Earthing
	Equipotential bonding

Installation requirements

The washing machine must be installed and commissioned by a Miele Service technician or by an authorised service technician.

- ▶ The washing machine must be installed in accordance with applicable regulations and standards. Local energy and water supplier regulations must also be observed.
- ▶ This washing machine must only be operated in a room that has sufficient ventilation and which is frost-free.

This machine should not be installed or operated in any area where there is a risk of explosion.

General operating conditions

This washing machine is intended only for use in a commercial environment and must only be operated indoors.

- Ambient temperature: 0-40 °C
- Relative humidity: non-condensing
- Maximum height above sea level of installation site: 2000 m

Depending on the nature of the installation site, sound emissions and vibration may occur.

Useful tip: Have the installation site inspected and seek the advice of a professional in instances where increased noise may cause a nuisance.

Installation notes

Installation

Transport the washing machine to its installation site using a suitable pallet truck and remove the transport packaging.

The washing machine must be set up on a completely level, horizontal and firm surface with the minimum stated load bearing capacity (see "Technical data").

Useful tip: A concrete floor is the most suitable installation surface. It is far less prone to vibration during the spin cycle than wooden floorboards or a carpeted surface.

The floor load created by the washing machine is concentrated and transferred to the installation footprint via the surface load in the area of the contact patch.

The washing machine requires a gap of at least 50 mm on each side to allow for movement during operation. Please ensure a minimum distance of 1800 mm is maintained between the front of the appliance and the rear wall.

The washing machine must not be installed on a carpeted floor.

The feet of the washing machine must be secured to the 4 fastening points on the floor using the fittings supplied.

The material provided is intended for use in bolting the machine to a concrete floor. If other floor types are present at the installation site, the fastening material must be ordered by the customer.

The base frame of the washing machine contains four drilled holes through which it is possible to drill straight into the floor.

Electrical connection

The electrical connection must be carried out by a qualified electrician who must ensure that all electrical work is carried out in accordance with applicable electrical regulations and standards.

- ▶ This washing machine must be connected to an electrical mains supply that complies with local and national regulations. Please also observe your insurance and energy supplier's regulations as well as any workplace health and safety regulations.
- ▶ The required voltage, rated load and fusing rating can be found on the data plate on the washing machine. Before connecting the machine to the electricity supply, please ensure that the mains supply voltage complies with the values given on the data plate.

Connection to a supply voltage other than the one quoted on the data plate can lead to functional faults and damage to the washing machine.

If more than one voltage is quoted on the data plate, the washing machine can be converted for connection to the voltages stated.

► Conversion to a different voltage must only be carried out by a Miele Professional Service technician or by an authorised service technician. The wiring instructions given on the wiring diagram must be followed.

The machine can either be hard-wired or connected using a plug-and-socket. For a hard-wired connection, an all-pole isolation device must be installed on site.

For hard-wired machines, connection should be made via a suitable mains switch with all-pole isolation which, when in the off position, ensures a 3 mm gap between all open contacts. These include circuit breakers, fuses and relays.

If the mains supply cannot be permanently disconnected, the isolator switch (including plug and socket) must be safeguarded against being switched on either unintentionally or without authorisation.

Useful tip: We recommend connection to the power supply via a suitable plug and socket which must be easily accessible for servicing and maintenance work after the machine has been installed. An electrical safety test must be carried out after installation and after any service work.

► If it is necessary to install a residual current device (RCD) in accordance with local regulations, a residual current device type B (sensitive to universal current) must be used.

An existing type A residual current device (RCD) must be exchanged for a type B RCD.

An equipotential bond with good contact connection must always be provided in accordance with all national and local regulations. Accessories for equipotential bonding are not supplied and need to be ordered separately.

Water connection

This washing machine has been supplied separately with a non-return valve (dual check valve). The non-return valve to prevent back siphoning must be fitted between the tap and water inlet hose or tap and Y-piece if connecting 2 hoses to the same tap. The non-return valve prevents water from the water inlet hose from flowing back into the on-site drinking water supply.

Backflow preventers are supplied.

The flow pressure must amount to a minimum of 100 kPa and must not exceed 1000 kPa. If the flow pressure is higher than 1000 kPa, a pressure reducing valve must be used.

The machine must be connected to the water supply using the inlet hoses provided.

Installation notes

⚠ The connection points are subject to water supply pressure. Turn on the tap slowly and check for leaks. Correct the position of the seal and union if necessary.

Cold water connection

For the cold water connection, one tap each with a ¾" external thread is required. A connector (Y-piece) can be used if required to connect 2 water inlet hoses with a ¾" screw thread to a single tap with a 1" male thread.

The water inlet hose for cold water (blue stripes) is not intended to be used with a hot water connection.

Hot water connection

To minimise energy consumption during operation with hot water, the washing machine should be connected to a hot water ring circuit.

So-called "transmission pipes" (single pipes to hot water generators) can result in cooling down of the water remaining in the pipes if not in constant use. More energy would then be consumed to heat the suds up again.

Use the inlet hose supplied (red stripes) for the hot water connection.

The temperature of the water intake must not exceed 70 °C on appliances with electric heating (EL).
The appliance must be connected to the water supply using the water inlet hoses provided.

If there is no hot water supply at the installation location for the washing machine, the connection hose for hot water must be connected to the cold water supply. A Y-piece is required in this case. The cold water consumption increases accordingly to account for the missing hot water intake.

For functional and technical reasons it is not possible to operate the machine exclusively with a hot water connection.
Even if a hot water connection is present, the washing machine must be connected to a cold water intake.

Hard water connection

Connection for hard water. For the hard water connection, the same requirements apply as for the cold water connection.

If there is no hard water connection on site, the hose must be connected to the cold water connection.

Drain valve

In the case of washing machines with a drain valve, a motorised valve is used to drain the machine. An HT DN 70 angle connector can be used for draining the machine directly into the waste water system (without a siphon) or into an on-site gully (with odour trap).

Thanks to an improved closing mechanism and a larger cross-section, even the coarsest of soiling does not leave any deposits or debris behind which could result in blockages. The dump valve can also be operated manually to allow the suds container to be emptied in the event of a power cut.

A vented drainage system is vital for unimpeded drainage. If several machines are connected to a single drain pipe, this should be sufficiently large to allow all machines to drain simultaneously.

The appropriate Miele installation set M.-No.: 05 238 090 is available from Miele for venting an HT DN 70 pipe (not available from Miele).

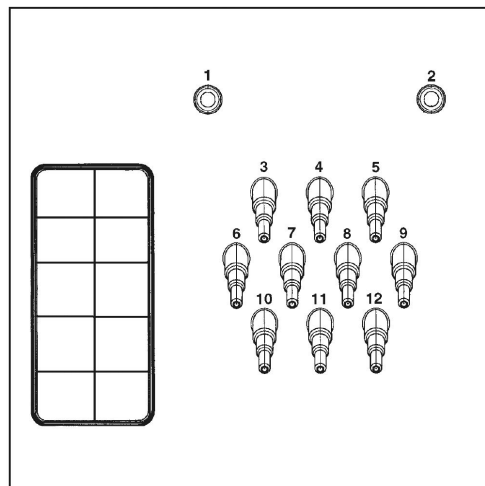
If the slope for drainage is extremely steep, the piping must be vented to prevent formation of a vacuum in the machine's drain system.

Slow or obstructed drainage or a backup of water in the drum as a result of undersized pipework can result in faults occurring during programmes, which will result in fault messages appearing in the display.

⚠ Outflowing suds can be as hot as 95 °C. Danger of burning!
Avoid direct contact.

Dispenser pump connections

Up to 12 dispenser pumps can be connected to the washing machine.

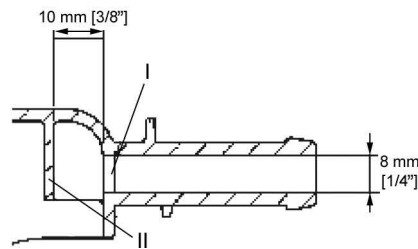


Dispenser pump connections on the back of the machine

Connections **1** and **2** which are provided for viscous agents can also be used for high pressure dispensing systems with water injection. The dispensing systems must comply with all relevant local and national regulations and fitted with suitable backflow prevention. The maximum flow rate is 1500 ml/min with a maximum flow pressure of 300 kPa.

Installation notes

These connections are sealed and need to be drilled open using an 8 mm drill bit before connecting.



Make sure that you only drill through the first panel (I) as there is a deflecting panel (II) 10 mm behind it.

Connections **3** to **12** are provided for liquid detergent. High pressure dispensing systems with water injection must not be connected to these connections. The connectors are sealed and must be cut to the diameter of the hose with a small saw before they are connected.

If opened connections are no longer required, they must be resealed using a suitable sealant (e.g. silicone).

Connection terminals for five time-controlled dispenser pumps, which can be operated without a multifunction module, are located behind the cover adjacent to the electrical connection.

Calibration of the dispenser pumps and regulation of dispensing quantities is carried out partly automatically for washing machines fitted with an optional multifunction module. Information regarding settings is given in the operating instructions.

A flowmeter or throughput sensors can be connected for precise monitoring of the dispensing quantity.

Connections for level monitoring are available for every agent dispensed.

Optional accessories

Only use genuine Miele spare parts and accessories with this machine.

Using spare parts or accessories from other manufacturers will invalidate the warranty, and Miele cannot accept liability.

BSK = Payment system kit

The washing machine can be equipped with a payment system (e.g. for self-service operations) using the optional BSK payment system kit. This must be connected and programmed by a Miele Professional Service technician. Payment systems with mechanical or electronic coin validator are available from Miele as optional accessories for individual target groups.

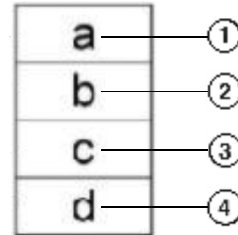
The programming required for connecting a payment system must be carried out by Miele Professional Service. A separate electrical connection is not required for a payment system.

Peak load cut-out kit (BSS)

The washing machine can be connected to an energy management system via a peak load cut-out kit which is available as an optional accessory.

The peak load cut-out monitors the energy consumption of a system and deactivates individual pieces of equipment temporarily in order to ensure that certain total load limits are not exceeded. Monitoring is externally controlled.

The kit provides three signal contacts and a neutral conductor via a terminal block. The terminal block is marked with “a”, “b”, “c”, and “d”.



- ① Output signal, start of machine operation
- ② Output signal, machine heating request
- ③ Peak load input signal, machine heating deactivated
- ④ Neutral conductor

When the peak-load function is activated the current programme is stopped and a message appears in the display on the washing machine. At the end of the peak load function the programme resumes automatically.

XKM RS232 communication module

The serial interface RS232 can be retrofitted to the washing machine via an XKM RS232 communication module (optional accessory available from Miele). This communication module must only be used with Miele Professional machines that are fitted with an appropriate slot for the module.

The data interface provided via communication module XKM RS232 complies with SELV (Safety Extra Low Voltage) in accordance with IEC 62368-1. Appliances connected to this interface must also be SELV compliant.

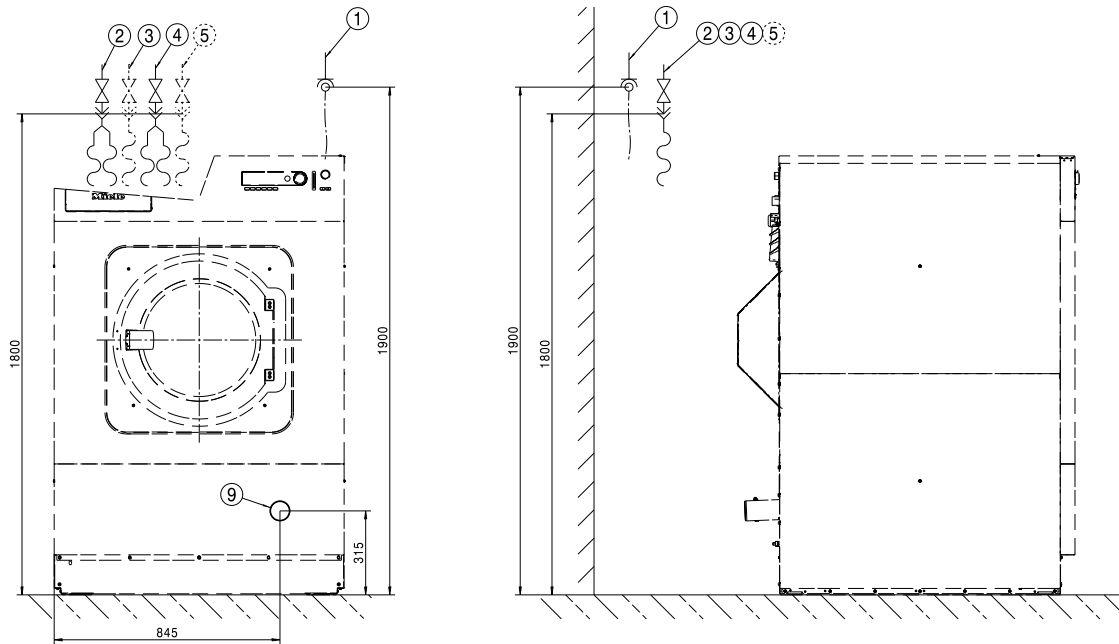
Communication module XKM RS232 is supplied with a connection cable and a D-sub-connector.

Vapour and foam venting kit (APWM 063)

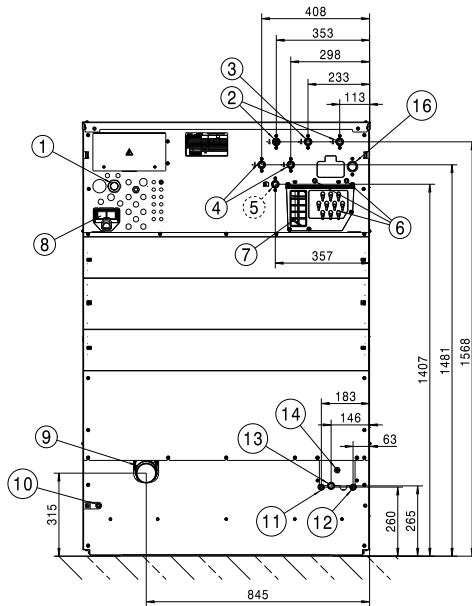
If excessive suds form, foam may escape from the vapour vent. To remove the foam, an optional vapour and foam venting kit (BWS) can be used.

Installation

Installation



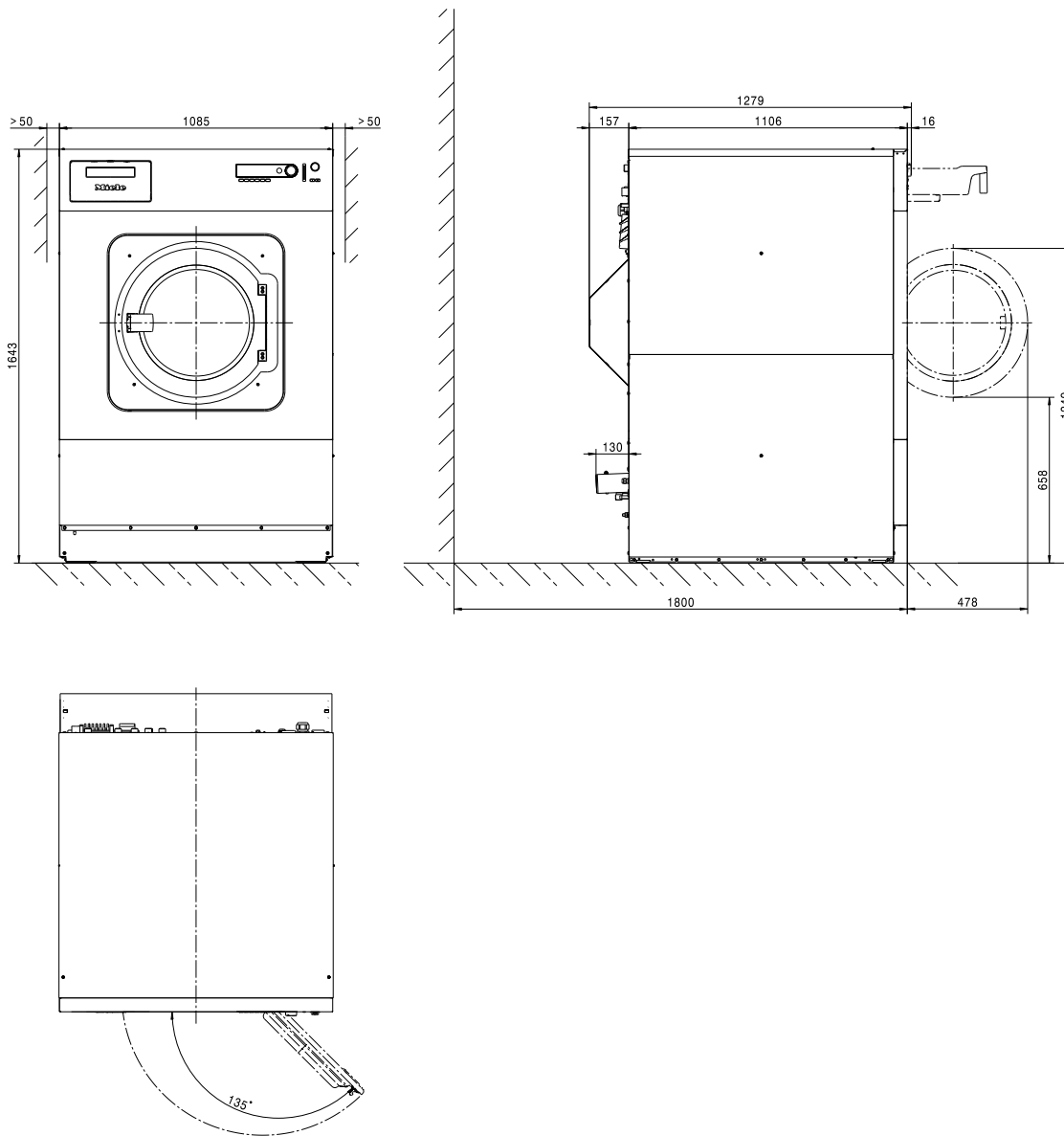
- ① Electrical connection
- ② Cold water connection
- ③ Hot water connection
- ④ Cold water connection (alternatively, hard water connection)
- ⑤ Cold water connection for liquid dispensing (optional)
- ⑥ Dispenser pump connections
- ⑦ Overflow
- ⑧ Communication connection
- ⑨ Drain pipe



- ① Electrical connection
- ② Cold water connection
- ③ Hot water connection
- ④ Cold water connection (alternatively, hard water connection)
- ⑤ Cold water connection for liquid dispensing (optional)
- ⑥ Dispenser pump connections
- ⑦ Overflow
- ⑧ Communication connection
- ⑨ Drain pipe
- ⑩ Connection for equipotential bonding

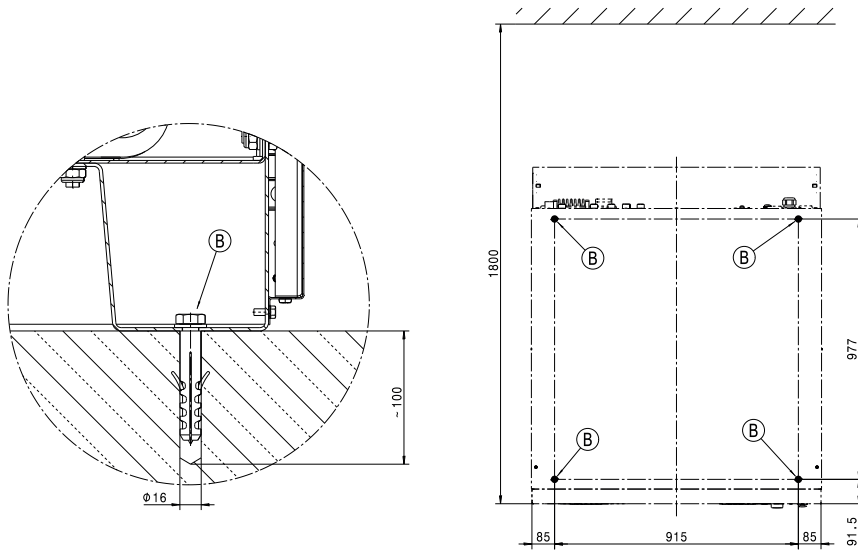
Installation

Dimensions



Dimensions in millimetres

Standard floor anchoring



Dimensions in millimetres

Ⓑ screw / anchor point

Technical data

Voltage versions and electrical data

	<i>Standard:</i>	<i>Convertible to:</i>
Supply voltage	3N AC 380–415 V	3N AC 380–415 V
Frequency	50 Hz	60 Hz
Total rated load	31 kW	31 kW
Fuse rating (on site)	3 x 63 A	3 x 63 A
Mains connection cable, min. cross-section	5 x 16 mm ²	5 x 16 mm ²
Cable gland	M16 x 1.5 mm	M16 x 1.5 mm

Miele recommends connecting the appliance via a wall socket with an all-pole means of deactivation and interlock so that electrical safety checks can be carried out easily.

For hard-wired appliances, an isolator must be installed.

The wall socket or isolator must remain accessible at all times once the appliance has been installed.

To increase safety, Miele recommends installation of a residual current device (RCD). Only use residual current devices that are sensitive to universal current (type B).

Connection for equipotential bonding

Connection with male thread (machine)	10 mm x 30 mm (3/8" x 1 3/16")
Size of washers and nuts	M10

An equipotential bond with good contact connection must always be provided in accordance with all national and local regulations.

Water connections

Cold water connection

Required flow pressure	100–1000 kPa (1–10 bar)
Maximum flow rate (if no hot water and hard water supply)	74 (79.5*) l/min
Maximum flow rate	26 (31.5*) l/min
Threaded union required (to be provided by customer in accordance with AS 3688, flat sealing)	3/4"
Length of water inlet hose supplied	1550 mm
*With liquid dispensing	

Hard water connection

Required flow pressure	100–1000 kPa (1–10 bar)
Maximum flow rate	32 l/min
Threaded union required (in accordance with AS 3688, flat sealing)	3/4"
Length of water inlet hose supplied	1550 mm

Waste water (drain valve)

Maximum drain water temperature	95 °C
Appliance-side drain connection (external diameter)	HT DN 70
On-site drain (internal diameter)	75 x 1.9 x 110 mm (pipe sleeve DN 70)
Maximum flow rate	200 l/min

A vented combined pipe is required to drain the waste water. If several appliances are connected to a single drain pipe, this should be sufficiently large to allow all appliances to drain simultaneously.

Anchoring

Fittings

4 x wood screws DIN 571 (∅ x length)	12 mm x 90 mm
4 x plugs (∅ x length)	16 mm x 80 mm

Fixing the appliance in place is absolutely essential.
Fastenings for floating screed must be supplied by the customer on site.

Floor anchoring

Required anchor points	4
DIN 571 wood screw (diameter x length)	12 mm x 90 mm
Rawl plugs (diameter x length)	16 mm x 80 mm

Emissions

Average heat dissipation rate to installation site	6.1 MJ/h
Emission sound pressure level in the workplace	73 dB(A) re 20 µPa

Appliance data

Appliance width (without add-on components)	1085 mm
Appliance height (without add-on components)	1643 mm
Appliance depth (without add-on components)	1106 mm
Appliance width, total	1089 mm
Appliance height, total	1646 mm
Appliance depth, total	1279 mm
Minimum width of loading aperture (internal width)	1185 mm
Recommended distance between wall and front of machine	1800 mm
Net weight	648 kg
Maximum floor load during operation	8975 N
Maximum static load	7456 N
Maximum dynamic load	1520 N
Maximum rotation frequency of drum	16.7 Hz

Transport data

Packaging width	1260 mm
Packaging height	1710 mm
Packaging depth	1470 mm
Gross weight	705 kg

Miele Australia Pty. Ltd.

ACN 005 635 398

ABN 96 005 635 398

Melbourne:

Level 4, 141 Camberwell Road

Hawthorn East, VIC 3123

Telephone: 1300 731 411

service.prof@miele.com.au

**www.miele.com.au/professional
sales@miele-professional.com.au**

Miele New Zealand Limited

IRD 98 463 631

8 College Hill

Freemans Bay

Auckland 1011

New Zealand

Telephone: 0800 4 MIELE

(0800 464 353)

www.miele.com.au/professional

sales@miele-professional.com.au



Miele Global Headquarters: Miele & Cie. KG
Carl-Miele-Straße 29, 33332 Gütersloh, Germany