

Miele










Operating and Installation Instructions Commercial Washing Machine PWM 509 PWM 511

Always read the operating instructions before setting up, installing, and commissioning the machine. This prevents both personal injury and damage to the appliance.

en-US, CA

M.-Nr. 12 072 000

Contents

Caring for the environment	6
Disposing of your old machine	6
IMPORTANT SAFETY INSTRUCTIONS	7
Explanation of the safety notes and warnings on the machine	7
Appropriate use	8
Preventing misuse	9
Technical safety	10
Correct use.....	11
Chlorine and component damage.....	13
Accessories	14
Disposing of your old machine	14
Description of the machine	15
Description of the machine.....	15
Control panel.....	16
Operation	17
Sensor controls and touch display.....	17
Main menu	17
Examples of how to operate the machine	18
Operating a laundromat machine	21
Washing	22
Preparing for use	22
Emptying pockets	22
Sorting the laundry	22
Sorting mops, cleaning cloths, etc.....	22
Pre-treating stains	22
General tips	22
Loading and switching on the washing machine	23
Loading the washing machine	23
Washing with detergent drawer	25
Adding detergent using the detergent drawer.....	25
Adding fabric softener or liquid starch separately	25
Adding starch separately	25
Dyes, dye removers, and descaling agents.....	26
Detergent dispensing.....	26
Selecting a program	27
Selecting program settings	27
Selecting Extras	31
Pre-wash 	31
Soak 	31
Rinse plus 	31
Rinse hold 	31
Filling stop 	31
Intensive 	31
Water plus 	31
Program start – program end	32
Timer	32
Special features in the program sequence	34
Spinning.....	34
Anti-crease	34

Changing the program sequence	35
Changing a program	35
Altering the wash program	35
Canceling a program	35
Switching on the washing machine after a power failure	35
Adding or removing laundry	36
Frequently asked questions	37
Troubleshooting	37
Customer Service	38
Frequently asked questions	38
The wash program will not start	38
Program cancellation and fault message	39
There is a fault message on the display	39
Insufficient wash results	40
General problems with the washing machine	41
The door will not open	42
Opening the door in the event of a blocked drain outlet and/or power outage	42
Cleaning and care	45
Build-up of rust	45
Cleaning the detergent drawer, detergent compartments, and siphons	46
Cleaning the water inlet filters	47
Installation	49
Installing the washing machine	49
Securing the machine	49
General operating conditions	49
Performing maintenance	50
PWM 509	50
PWM 511	51
Installing the washing machine	52
Installation on a base	52
Shipping struts	53
Leveling the machine	55
Water connection	55
Use of non-return valves	56
Hot water connection	57
Cold water connection	57
Note for Switzerland	58
Regulations for Austria	58
Electrical connection	60
Reference to external machines	60
Optional accessories	60
Connector Box	60
WiFi/LAN interface	62
Base (APWM037/038/039)	62
Supervisor level	63
Opening the supervisor level	63
Code-based access	63
Changing the code	63
Closing the Settings menu	63

Contents

Operation/display.....	64
Language.....	64
Language menu.....	64
Set languages.....	64
Display brightness.....	64
Time.....	65
Date.....	65
Volume.....	65
Visibility parameters.....	65
Machine off status.....	65
Delay start.....	65
Memory.....	65
Temperature unit.....	66
Weight unit.....	66
Supervisor code.....	66
WiFi.....	66
Program selection.....	67
Controls.....	67
Program packages.....	67
Favorite programs.....	67
Sort programs.....	67
Program color allocation.....	68
Expert code.....	68
Process technology.....	69
Anti-crease.....	69
Automatic drainage.....	70
Service.....	70
Service interval.....	70
External applications.....	70
Connector box.....	70
Automatic dispensing.....	70
Dosage.....	70
Peak load prevention.....	71
Machine parameters.....	71
Maximum spin speed.....	71
Max. adjust. temperature.....	71
Legal Information.....	71
Networking.....	72
Pairing instructions.....	72
Opening the supervisor level.....	72
Establishing the network connection via WPS.....	72
Establishing the network connection via soft AP.....	72
Establishing the network connection using a LAN cable.....	72
Technical data.....	72

Technical data	74
PWM 509/511 machine data	74
Electrical connection.....	74
PWM 509 installation dimensions	74
PWM 511 installation dimensions.....	74
Weight and floor load	74
Emission values.....	74
WiFi.....	74
Product safety.....	75
EU declaration of conformity.....	75
WiFi data protection	76
Data protection and data security	76
Factory default settings for network configuration	76
Copyrights and licenses	76

Caring for the environment

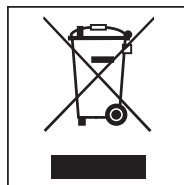
Disposal of the packaging material

The packaging is designed to protect the washing machine against transport damage. The packaging materials used are selected from materials which are environmentally friendly for disposal and can therefore be recycled.

Recycling the packaging material reduces the use of raw materials in the manufacturing process and also reduces the amount of waste in landfill sites. Your dealer will take the packaging material away.

Disposing of your old machine

Old electrical and electronic machines often contain valuable materials. However, they also contain harmful substances which were essential for their correct functioning and safety. These could be hazardous to human health and to the environment if disposed of with household waste or if handled incorrectly. Therefore, please do not dispose of your old machine with household waste.



Please dispose of it at your local community waste collection/recycling center. Consult your dealer if necessary. Please ensure that your old machine poses no risk to children while being stored for disposal.

Energy saving tips

Energy and water consumption

- Make use of the **maximum** load size that the wash program can accommodate.
The most efficient use of energy and water is achieved when a full load is washed.

Detergent

- Do not exceed the amounts of detergent recommended on the packaging.
- Reduce the amount of detergent for smaller load sizes.







When drying with a tumble dryer

Select the highest possible spin speed for the wash program to save energy in the subsequent drying cycle.

IMPORTANT SAFETY INSTRUCTIONS

Original operating instructions

Explanation of the safety notes and warnings on the machine

	Read the operating instructions
	Read all the instructions, e.g., the installation instructions
	Warning, hot surfaces
	Warning, voltage up to 1000 volts
	Grounding
	Equipotential bonding

This washing machine complies with all current local and national safety requirements. Inappropriate use can, however, lead to personal injury and material damage.

Read the operating instructions carefully before using the washing machine. They contain important information on safety, installation, use, and maintenance. This prevents both personal injury and damage to the washing machine.

Miele expressly and strongly advises that you read and follow the instructions in the section on installing the washing machine as well as the IMPORTANT SAFETY INSTRUCTIONS.

Miele cannot be held liable for injury or damage caused by non-compliance with these instructions.

Keep these operating instructions in a safe place and pass them on to any future user.

When instructing other people how to use the washing machine, they must be made aware of these IMPORTANT SAFETY INSTRUCTIONS.

IMPORTANT SAFETY INSTRUCTIONS

Appropriate use

- ▶ The washing machine is only suitable for washing fabrics with a care label stating that they are suitable for machine washing. Any other applications may be dangerous. The manufacturer cannot be held liable for damage resulting from incorrect or improper use or operation of the machine.
- ▶ This washing machine must be used as described in the operating instructions and must be checked on a regular basis to make sure it is functioning correctly. Maintenance must be carried out when necessary.
- ▶ The washing machine is not suitable for outdoor use.
- ▶ Do not install the washing machine in a room where there is a risk of frost. Frozen hoses are at risk of tearing or bursting. The reliability of the electronic may be impaired at temperatures below freezing point.
- ▶ This washing machine is intended only for use in a commercial environment.
- ▶ The machine may only be operated by trained or qualified personnel. This machine is not intended to be used in a place open to the public.
- ▶ The washing machine must not be used in a non-stationary installation site (e.g., on a ship).
- ▶ This washing machine should not be used by persons with reduced physical, sensory, or mental capabilities, or a lack of experience and knowledge, unless they are supervised or instructed on its use by a responsible person.
- ▶ Children must not be allowed near the washing machine.
- ▶ Disinfection programs must not be interrupted, as this can have a limiting effect on the disinfection result. It is the operator's responsibility to ensure that the standard of disinfection in thermal as well as chemo-thermal procedures is maintained by carrying out suitable validation tests.

IMPORTANT SAFETY INSTRUCTIONS

Preventing misuse

- ▶ Never use solvent-based cleaning agents, e.g., those containing benzene, in this washing machine. This may result in damage to component parts and create toxic fumes. **Risk of fire and explosion!**
- ▶ When washing with high temperatures, remember that the porthole glass becomes hot. Do not touch it during the wash process.
Danger of injury by burning!
- ▶ Close the drum door after each wash cycle. This is to avoid anyone or anything unexpected getting into the washing machine.
- ▶ Do not damage, remove, or bypass the safety features or control elements of this washing machine.
- ▶ Machines with a damaged control panel, wires, or cords must not be used until they have been repaired.
- ▶ Water used for washing in this machine consists of suds and is not drinking water! Drain the suds into a proper drainage system.
- ▶ Always make sure that the drum is stationary before reaching in to remove laundry. Reaching into a rotating drum is extremely dangerous and may result in injury.
- ▶ Be careful not to put your hands in the gap between the door and frame when closing the drum door.
Please note: The drum door is locked automatically as soon as the washing machine starts.
- ▶ It is particularly important to observe the manufacturer's instructions when using a combination of cleaning agents and special application products. Products must only be used for applications approved by the manufacturer to avoid any material damage or the occurrence of strong chemical reactions.

IMPORTANT SAFETY INSTRUCTIONS

Technical safety

- ▶ Before installing the washing machine, check it for visible signs of damage. Do not install or use a damaged washing machine.
- ▶ The electrical safety of this washing machine can only be guaranteed when correctly grounded. It is essential that this standard safety requirement is observed and regularly tested. If in any doubt, please have the electrical installation inspected by a specialist. Miele cannot be held liable for the consequences of an inadequate grounding system.
- ▶ Unauthorized repairs could result in unforeseen dangers for the user, for which the manufacturer cannot accept liability. Repairs must only be carried out by a Miele authorized technician, otherwise any subsequent damage will not be covered by the warranty.
- ▶ Do not make any alterations to the machine, unless authorized to do so by Miele.
- ▶ Disconnect the washing machine from the power supply in the event of a fault and for cleaning and maintenance. The washing machine is only electrically disconnected from the power supply when
 - the electrical plug of the washing machine is unplugged, or
 - the fuse is disconnected, or
 - the screw-in fuse has been completely removed.

For more information, see “Installation – Electrical connection”.

- ▶ The washing machine may only be connected to the water supply using the set of hoses supplied with the machine. Old sets of hoses must not be re-used. Check the sets of hoses regularly for signs of wear. Change the sets of hoses ahead of time to avoid the risk of leaks and subsequent water damage.
- ▶ The cause of any leaks must be dealt with before the washing machine is restarted. Disconnect the washing machine immediately if any water leaks out.
- ▶ Faulty components must only be replaced by genuine Miele replacement parts. Miele can only guarantee the safety standards of the machine when Miele replacement parts are used.
- ▶ All relevant national provisions and regulations (DGUV in Germany) relating to accident insurance are applicable to this machine. It is recommended to carry out testing in accordance with the regulatory framework described in DGUV 100-500/Chapter 2.6/Section 4. The test book required for the documentation is available from Miele Customer Service.
- ▶ Please observe the instructions in “Installation and connection” and “Technical data”.
- ▶ The electrical plug for the washing machine must always be kept accessible so that the washing machine can be easily disconnected from the power supply.
- ▶ For hard-wired machines, an all-pole means of deactivation must be provided on site.
- ▶ If the washing machine is to be hard-wired, there must be a means of disconnecting all poles from the power supply. The disconnection switch must be close to the washing machine and be clearly identifiable, unhindered, and easily accessible at all times.
- ▶ A central Emergency shut off device must be available for models without an Emergency shut off.

IMPORTANT SAFETY INSTRUCTIONS

Correct use

▶ The max. dry laundry weight for PWM 509 is 20 lb (9 kg). The max. dry laundry weight for PWM 511 is 24 lb (11 kg).

See the “Program chart” for the maximum recommended load sizes for individual programs.

▶ Before using the washing machine for the first time, check that the shipping struts have been removed (see “Installation – Removing the shipping struts”). During spinning, a shipping strut which is still in place may result in damage to both the washing machine and adjacent furniture or machines.

▶ Never try to open the drum door of the washing machine using force. The door can only be opened when a corresponding message appears in the display.

▶ Do not push back the soft mount drum of the machine while the machine is running.

▶ When closing the door there is a danger of crushing and shearing between the door frame and the drum opening and also at the hinges. Caution: The drum door locks automatically when the machine is started.

▶ Turn off the faucet if the machine is to be left for any length of time (e.g., during vacation), especially if there is no floor drain (gully) in the immediate vicinity.

▶ Take care to ensure that foreign objects (e.g., nails, pins, coins, paper clips) do not find their way into the machine with the laundry. These may damage components of the machine (e.g., suds container, drum). Damaged components can damage the laundry.

▶ If the correct amount of detergent is dispensed, the washing machine should not need to be descaled. If, however, you do wish to descale your washing machine, only use proprietary non-corrosive descaling agents. Special descaling agent is available from your Miele dealer or from Miele Customer Service. Strictly observe the instructions for the descaler.

▶ Fabrics that have been pre-treated in solvent-based cleaning agents must be thoroughly rinsed in clean water before being washed in the machine. Note that solvent residues may only be discharged into waste water in compliance with local legislation.

▶ Never use solvent-based cleaning agents, e.g., those containing benzene, in this washing machine. This may result in damage to component parts and create toxic fumes. **Risk of fire and explosion!**

▶ Do not store or use gasoline, paraffin, or any easily flammable substances near the washing machine. Do not use the machine lid as storage space.

Risk of fire and explosion!

▶ Do not store chemicals (liquid detergents, additives) on the machine lid. They may cause discoloration or lacquer damage. Accidentally spilled chemicals should be removed from the surface immediately with a wet cloth.

▶ Only use dyes, dye removers, and descaling agents suitable for use in a washing machine. The manufacturer’s instructions on the packaging must be observed.

▶ Dye removers contain sulfur compounds which can cause damage such as corrosion. Do not use these products in this washing machine.

IMPORTANT SAFETY INSTRUCTIONS

- ▶ Avoid contact of stainless steel surfaces with liquid cleaning and disinfecting agents which contain chlorine or sodium hypochlorite. These agents can cause corrosion on stainless steel. Aggressive chlorine bleach vapors can also be corrosive. Do not store open containers of these agents near the machine.
- ▶ Do not use a power washer or hose to clean the washing machine.

IMPORTANT SAFETY INSTRUCTIONS

Chlorine and component damage

► Frequent use of chlorine products increases the risk of damage to components.

► The use of substances containing chlorine, such as sodium hypochlorite and chlorine bleach in powder form, can result in damage to the protective layer of stainless steel and corrosion on components. Therefore, refrain from using substances containing chlorine. Use oxygen-based bleaching agents instead.

If, however, chlorine bleaching agents are used, an anti-chlorine treatment must always be carried out. Otherwise, both the washing machine components and the laundry may suffer persistent and irreparable damage.

► Anti-chlorine treatment must be carried out immediately after chlorine bleaching agents have been used. Hydrogen peroxide as well as oxygen-based detergents and bleaching agents are suitable for anti-chlorine treatment. The suds must not be drained in between.

Treatments with thiosulfates can result in gypsum-like deposits particularly when used in combination with hard water. This gypsum can build up in the washing machine or cause incrustations on the laundry. Treatment with hydrogen peroxide is recommended over treatment with thiosulfates because hydrogen peroxide neutralizes chlorine.

The exact dispensing quantities and the treatment temperatures required must be set and tested on site in accordance with the dispensing recommendations of the detergent and cleaning agent manufacturers. The laundry must also be tested to check whether it contains any active chlorine residues.

IMPORTANT SAFETY INSTRUCTIONS

Accessories

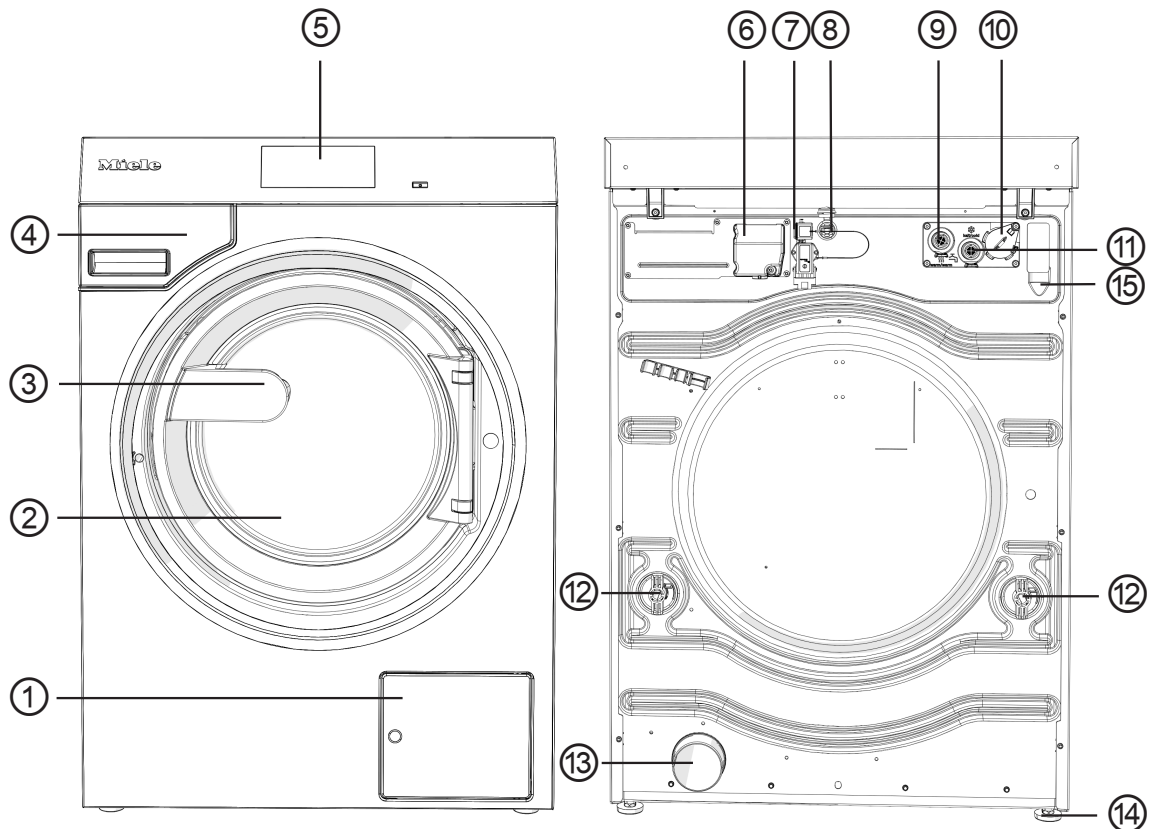
▶ Only use genuine Miele spare parts and accessories with this machine. Using parts or accessories from other manufacturers will invalidate the warranty, and Miele cannot accept liability.

Disposing of your old machine

▶ Ensure that the door locks are unusable when disposing of or scrapping old washing machines. This will prevent the risk of anyone or anything accidentally locking themselves in while playing and endangering their lives.

Miele cannot be held liable for damage caused by failure to comply with these IMPORTANT SAFETY INSTRUCTIONS.

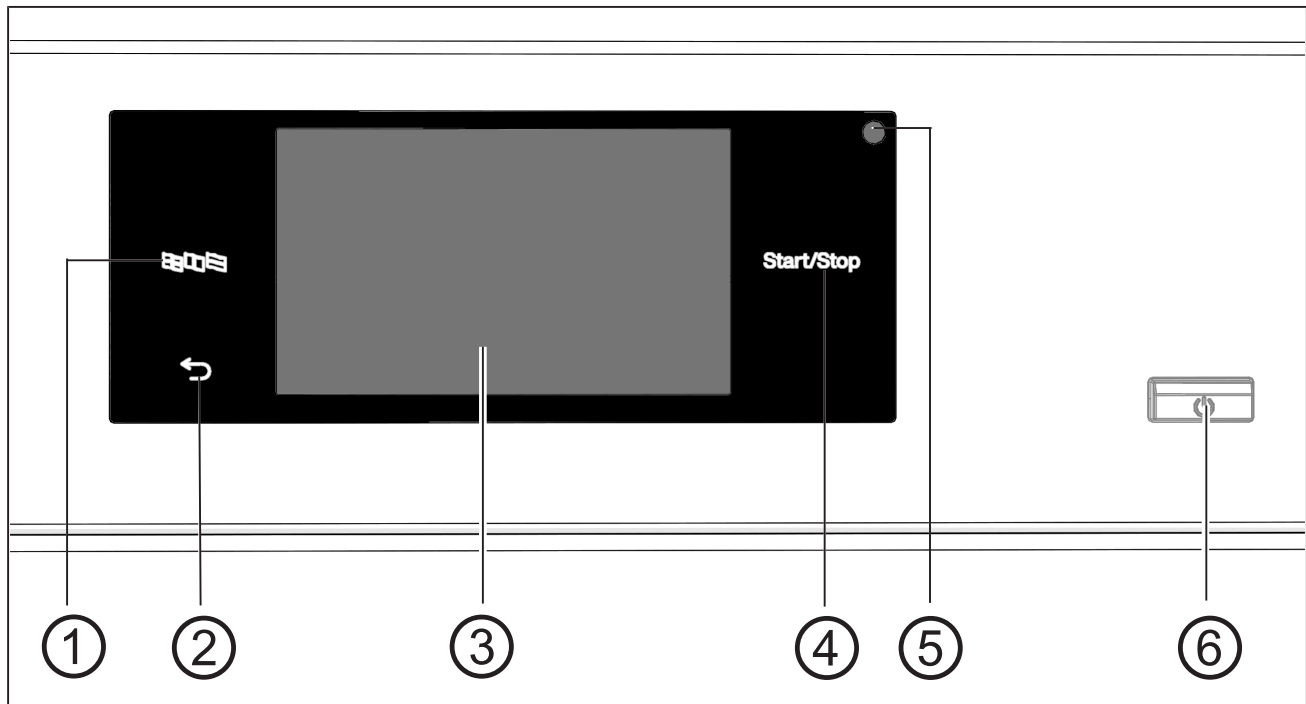
Description of the machine






- ① Access to drain filter and drain pump or drain valve
- ② Drum door
- ③ Door handle
- ④ Detergent drawer
- ⑤ Display (additional information can be found in the “Operation” section)
- ⑥ Electrical connection
- ⑦ Interface for Connector Box
- ⑧ Interface for LAN
- ⑨ Hot water connection
- ⑩ Interface for external dispensing
- ⑪ Cold water connection
- ⑫ Shipping struts
- ⑬ Water drain (for drain valve variant)
- ⑭ 4 adjustable feet
- ⑮ Drain hose connection (for drain pump variant)



Description of the machine

Control panel



- ① **Language sensor control** 
For selecting the current user language. The supervisor language is displayed again at the end of the program.
- ② **Back sensor control** 
Takes you back one level in a menu.
- ③ **Touch display** with system-specific symbols
- ④ **Start/Stop sensor control**
Starts the selected wash program and stops a program while it is running. The program selected can be started as soon as the sensor control starts flashing.
- ⑤ **Optical interface**
For Customer Service.
- ⑥ **button** 
For switching the washing machine on and off.

Sensor controls and touch display

The sensor controls , , and *Start/Stop* and the elements in the display respond to finger tip contact. Every tap of a sensor control is confirmed with an audible keypad tone. You can adjust the volume of the keypad tone or switch it off (see “Supervisor level”).

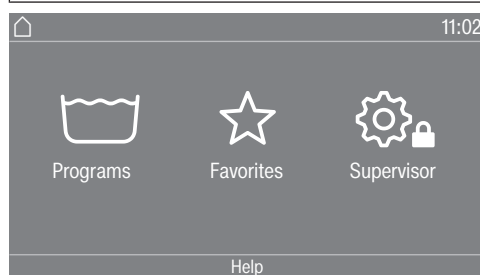
The control field with sensor controls and the touch display can be scratched by pointed or sharp objects, e.g., pens.
Only touch the control field with your fingers.

Main menu

After switching on the washing machine, the main menu will appear in the display.

You can access all the important submenus from the main menu.

Touch the  symbol at any time to return to the main menu. Values set previously are not saved.



Programs” menu

In this menu, you can select the wash programs.

Favorites” menu

In this menu, you can select 1 favorite program from a total of 24 favorite programs. The wash programs can be set up and saved by the supervisor in the Favorites menu (see “Favorite programs” under “Supervisor level”).

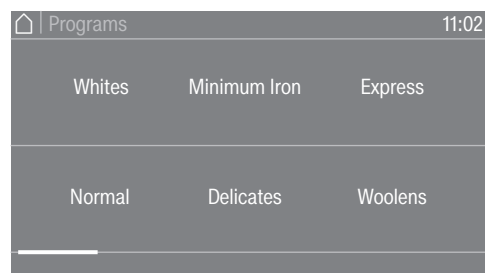
Supervisor”

You can alter the washing machine’s electronic to suit changing requirements in the supervisor level (see “Supervisor level”).

Examples of how to operate the machine

Lists

“Programs” menu (single selection)



You can scroll right or left by swiping your finger across the screen. To do this, place your finger on the touch display and swipe it in the direction you want.

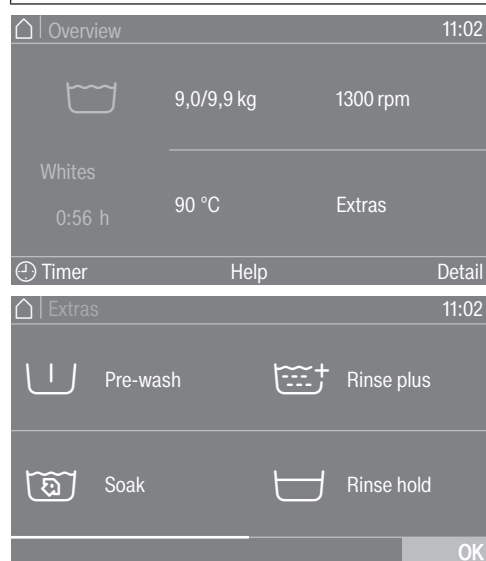
The orange scroll bar under the pictures shows that there are additional options to choose from.

Touch a program name to select the wash program.

The display will change to the standard menu for that program.

“Extras” menu (multiple selection)

To access the level for selecting Extras, you first need to select a program, e.g., Whites.



Touch one or several *Extras* to select it/them.

Currently selected *Extras* are highlighted orange.

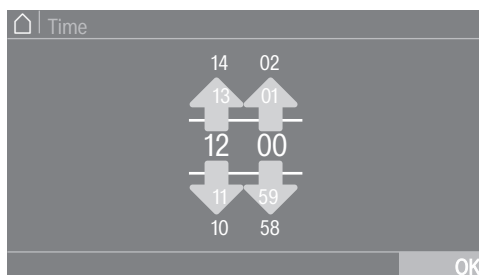
To deselect an *Extra*, simply touch the *Extra* again.

Use the *OK* symbol to activate all selected *Extras*.

Setting numerical values

You can set numerical values in some menus.

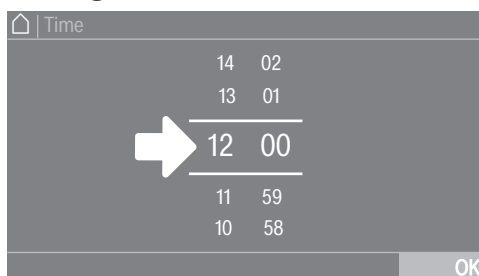
The following example shows how to set the time of day. The “Supervisor level” section describes how to get to this level.



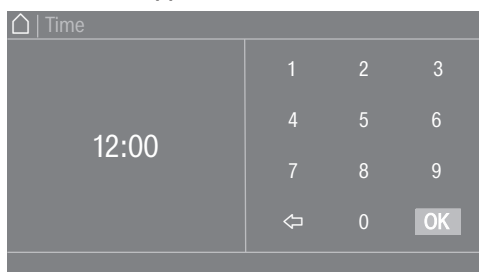
Enter the numbers by swiping upward or downward.

Place your finger on the number that you want to change and move your finger in the direction you want. Use the *OK* symbol to accept the set numerical value.

Tip: A numerical keypad may also appear to adjust the value for some settings.



Briefly touching a number between the two lines will bring up the numerical keypad.



Once a valid number has been entered, the *OK* symbol will be highlighted green.

Operation

Pull-down menu

The following example describes the display for an ongoing wash program. The “Program start – program end” section describes how to get to this level.



If an orange bar appears at the top of the screen in the middle of the display, you can open the pull-down menu. Touch the bar and drag down with your finger.

Exiting a menu level

- Touch the ↶ symbol to return to the previous screen.

Entries you have made before this which have not yet been confirmed with *OK* will not be saved.

Help display

With some menus, Help appears along the bottom line of the display.

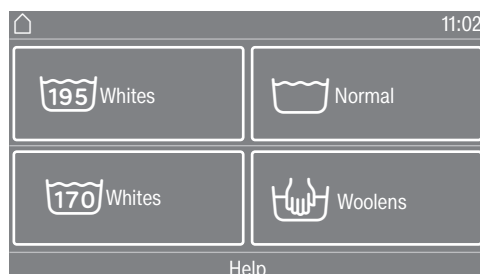
- Touch the Help selection area to display the text.
- Touch the Close selection area to return to the previous screen.

Operating a laundromat machine

The entry menu will vary depending on the programming status (see “Supervisor level – Controls”).

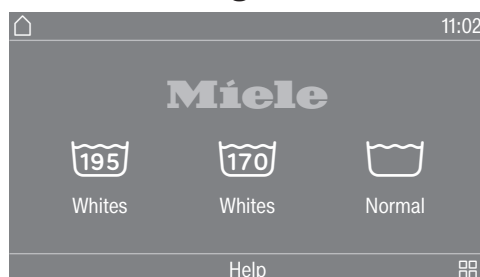
Shortcuts are the easiest way to operate the machine. Operating staff are unable to change pre-set programs.


Laundromat, basic



Between 4 and 12 pre-set programs are available. These programs cannot be changed by the user.

Laundromat Logo

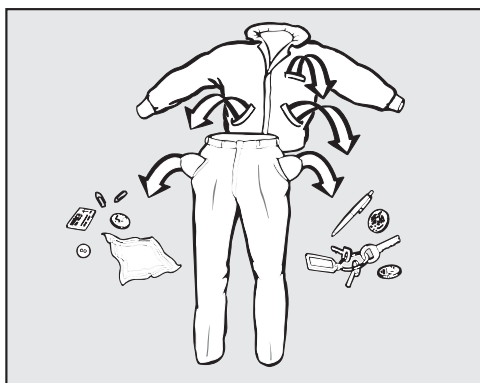


Up to 12 pre-set programs are available. The first 3 programs can be selected directly. The remaining programs are selected from a list . These programs cannot be changed by the user.

Washing

Preparing for use

Emptying pockets



- Empty all pockets.

⚠ Damage due to foreign objects. Nails, coins, paper clips, and so on can cause damage to garments and components in the machine. Check the laundry before washing and remove any such foreign objects.

Sorting the laundry

Sorting mops, cleaning cloths, etc.

Pre-treating stains

- Sort the laundry according to color and the garment care label.
- Shake mops, cleaning cloths, and pads out well to get rid of coarse soiling before placing them in the washing machine drum.
- Badly soiled areas and stains should be cleaned as soon as possible. Stains should be carefully dabbed off using a soft, colorfast cloth.

⚠ Damage due to solvent-based cleaning agents. Cleaning agents containing benzine, stain remover, etc. can damage plastic parts. When pre-treating a stain, make sure that plastic parts do not come into contact with cleaning agents.


⚠ Risk of explosion due to solvent-based cleaning agents. When using solvent-based cleaning agents, an explosive mixture may develop. Never use solvent-based cleaning agents in the washing machine.

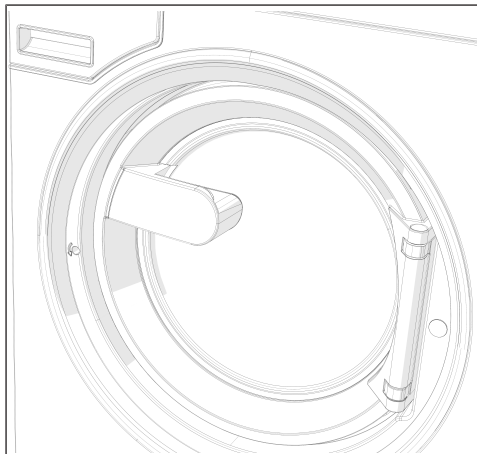
General tips

- Do not machine wash items which are specified by the manufacturer as not washable on the care label (☒).
- Curtains: remove rollers and lead weights or place in a laundry bag.
- Sew in or remove any loose underwiring in bras.
- Turn garments inside out, if recommended by the manufacturer.
- Zip up or close any jackets with velcro or hook and eye fastenings before washing.
- Fasten duvet covers and pillow cases to prevent small items from becoming rolled up inside them.
- Please refer to the Program chart for more tips and tricks.

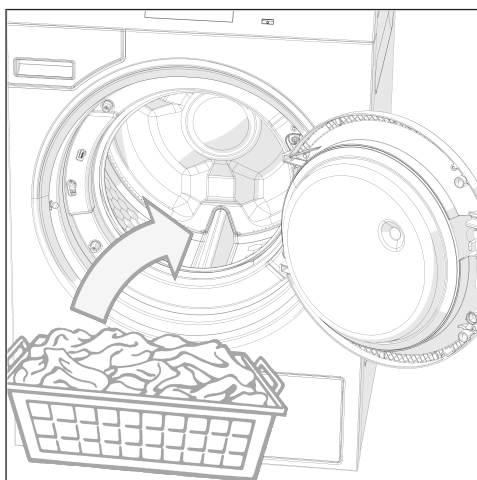
Loading and switching on the washing machine

Loading the washing machine

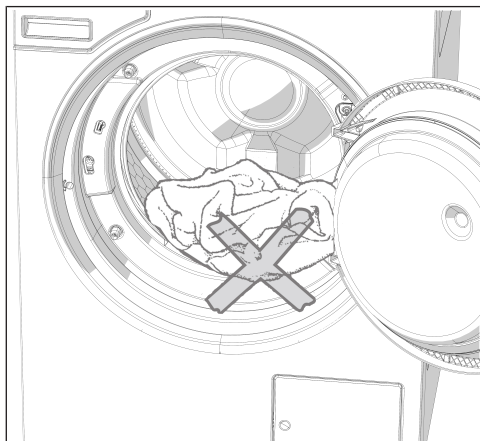
- Prepare the washing machine.
- Switch on the washing machine with the  button. The welcome screen will light up.
- Open the drum door with the handle.



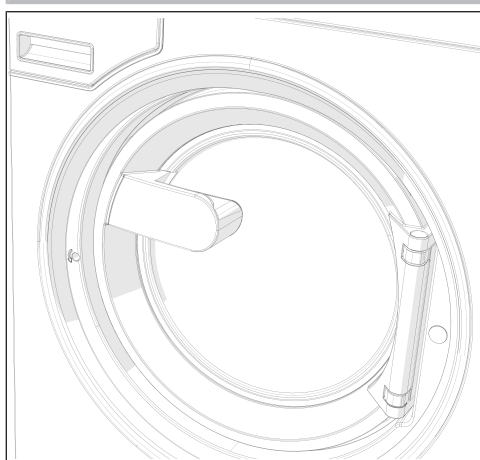
- Unfold the laundry and load loosely into the drum.



Washing



⚠ Make sure that no items are caught between the drum door and the opening.

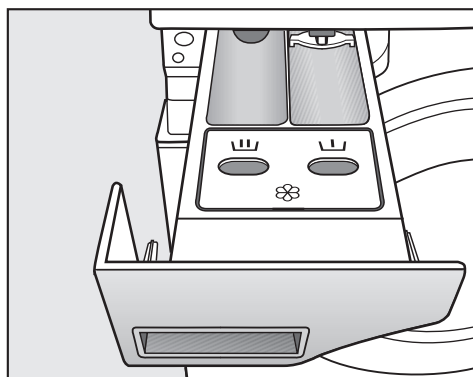



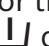

■ Close the drum door by pressing it until the pre-latch engages.

The drum door engages, but is not locked yet. The drum door locks automatically as soon as the machine starts.

Washing with detergent drawer

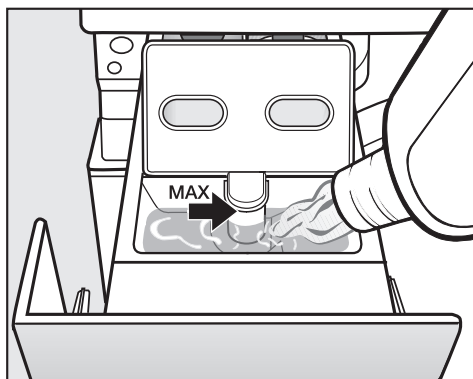
Adding detergent using the detergent drawer

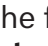


- For the standard programs, add powder detergent to the  drawer for the main wash. If desired, add detergent for a pre-wash to the  drawer. Add fabric softener to the front of the  drawer.

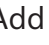
Adding fabric softener or liquid starch separately

- Select the Separate Rinse program.
- Change the spin speed if necessary.



- Add the fabric softener or the liquid starch to the  compartment. **Do not exceed the maximum level mark.**
- Touch the *Start/Stop* sensor control.

Adding starch separately

- Prepare the starch solution in accordance with the manufacturer's instructions on the packaging.
- Select the Starch program.
- Add the prepared starch to the  compartment.
- Touch the *Start/Stop* sensor control.

Tip: If starching separately or automatically, thoroughly clean the detergent drawer regularly.

Washing

Dyes, dye removers, and descaling agents

Proprietary dyes, dye removers, and descaling agents may only be used in this machine if the manufacturer expressly states that they are suitable for use in a washing machine. The manufacturer's instructions on the packaging must be observed.

Detergent dispensing

Detergent dispensing

Avoid dispensing more than the required amount as this can cause excessive foaming.

- Only use low-foaming detergents.
- Follow the detergent manufacturer's recommendations.

The amount to dispense will depend on:

- the amount of laundry
- the water hardness
- how dirty the laundry is

Amount of detergent

Please dispense according to water hardness levels and follow the detergent manufacturer's instructions.

Water hardness levels

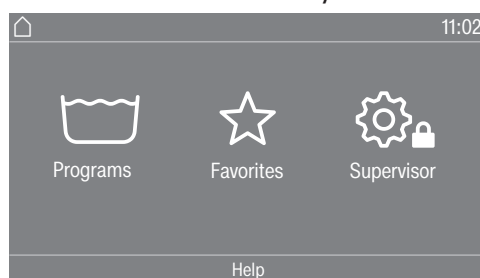
Water hardness level	Total hardness in gpg	German scale °dH
Soft (I)	0-8.7	0-8.4
Medium (II)	8.7-14.6	8.4-14
Hard (III)	Above 14.6	Above 14

Check with your local water supplier if you do not know the water hardness level in your area.

Selecting a program

Programs

There are different ways to select a program.



You can select a program from the Programs menu.

- Touch the Programs selection area.

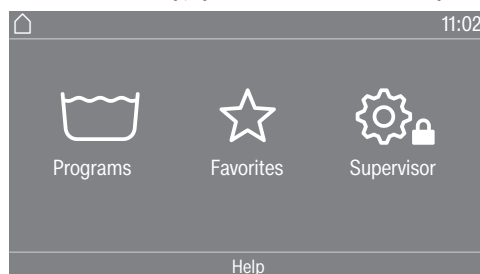


- Scroll to the right in the display until the program you want appears.
- Touch the system-specific symbols on the touch display.

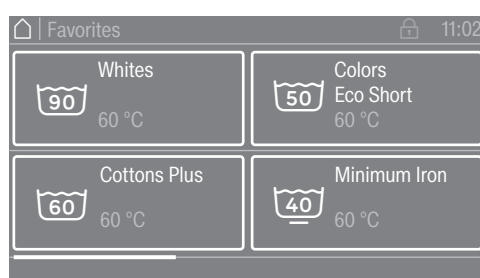
The display will change to the standard menu for that wash program.

Favorites

Alternatively, you can select a program from the Favorites menu.



- Touch the Favorites selection area.



- Scroll to the right in the display until the program you want appears.
- Touch the system-specific symbols on the touch display.

The display will change to the standard menu for that wash program.

In the case of favorite programs, the majority of the program settings are already fixed and cannot be changed.

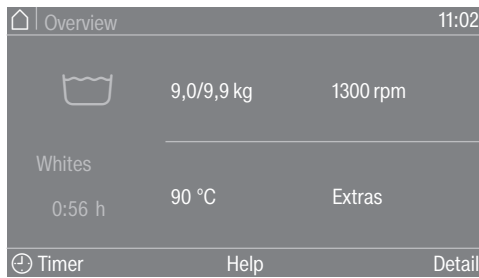
Selecting program settings

Washing

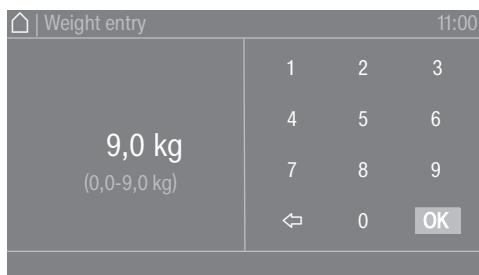
Selecting the load size

To enable load-specific external dispensing and an adapted program sequence, you can specify the load size for some programs.

- Touch the Weight (kg) selection area.



- Enter a valid value for the load size.



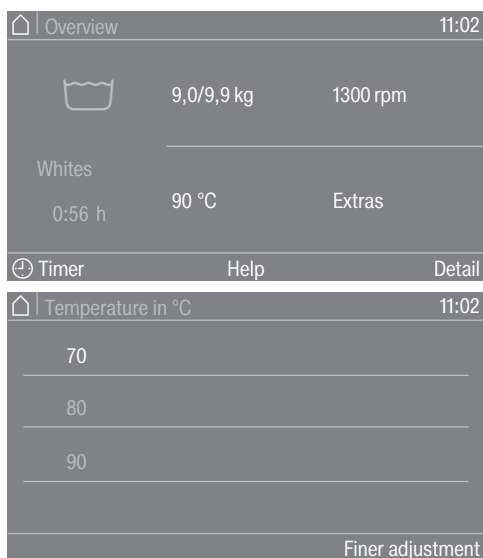
- Press the OK symbol.

The display will change to the Overview menu.

Selecting a temperature

You can alter the pre-set temperature of a wash program.

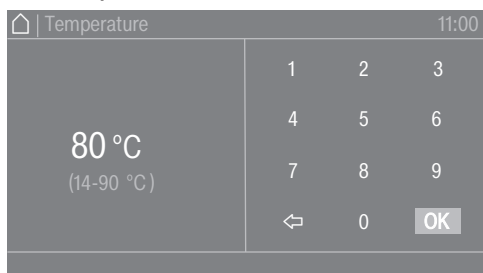
- Touch the Temperature (°C) selection area.



- Select the desired temperature from the presets.

The display will change back to the Overview menu.

If you select the Finer adjustment selection area, you can set additional temperatures within the available temperature range by entering them directly.



- Select the desired value using the keypad.
- Press the OK symbol.

The display will change back to the Overview menu.

The temperature can only be selected within the range specified below the current setting (e.g., 14–90°C).

Washing

Selecting a spin speed

You can alter the pre-set spin speed of a wash program.

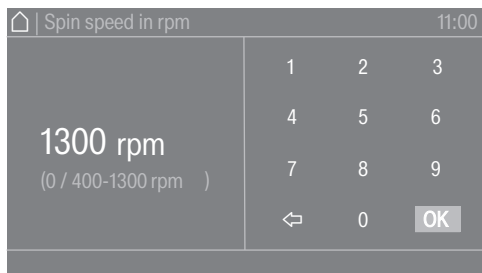
- Touch the Spin speed (rpm) selection area.



- Select the spin speed you want from the presets.

The display will change back to the Overview menu.

If you select the **Finer adjustment** selection area, you can set additional speeds within the available speed range.



- Select the desired value using the keypad.
- Press the OK symbol.

The display will change back to the Overview menu.

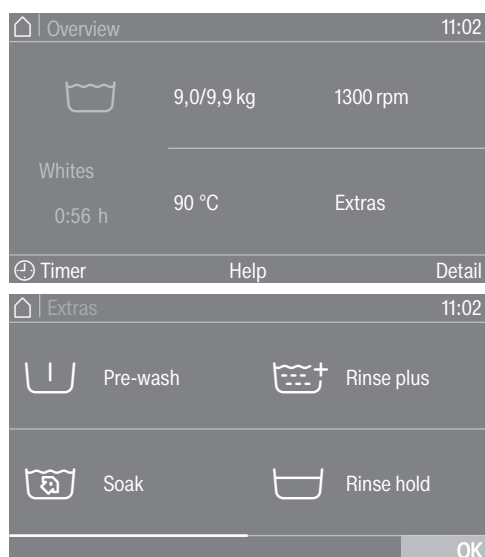
The speed can only be selected within the range specified below the current setting (e.g., 0 / 400–1,300 rpm).

Selecting Extras

Selecting Extras

You can select Extras for some wash programs.

- Touch the Extras selection area.



- Select one or more Extras.
- Press the OK symbol.

The display will change to the Overview menu.

Pre-wash

A pre-wash can be added for heavily soiled laundry. Coarse soiling is loosened and removed before the main wash.

Soak

For heavily soiled and stained items with protein stains. The soak duration is 10 minutes.

Rinse plus

An extra rinse can be activated to achieve a more thorough wash result.

Rinse hold

The laundry is not spun after the final rinse and remains in the rinse water. This helps prevent creasing if the laundry is not going to be removed from the washing machine drum immediately after the end of the program.

Filling stop

Water is drained out of the machine before the final rinse and the program stops. The required starch, dye, proofing agent, etc. is added directly to the drum. The program is continued with the *Start/Stop* sensor control.

Intensive

For hard-wearing laundry that is very heavily soiled. Extending the main wash increases cleaning efficiency.

Water plus

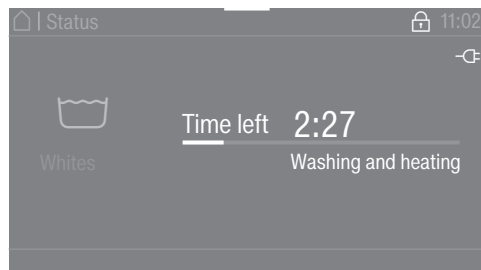
The water level in the wash cycle will be increased.

Program start – program end

Starting a program The program can be started as soon as the *Start/Stop* sensor control is flashing on and off.

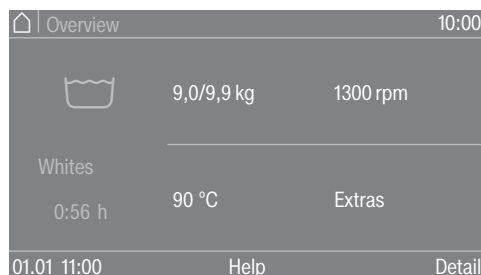
- Touch the *Start/Stop* sensor control.

The door will lock (🔒 symbol) and the wash program will start.



Tip: You can use the pull-down menu to display the selected temperature, spin speed, and any selected Extras.

If a delay start period (🕒 Timer) has been selected, this will appear in the display at the bottom left.



The program duration will appear in the display either straight away or once the delay start period has elapsed. The program sequence is also shown in the display.

Depending on the setting selected in the supervisor level or in the program, the machine will switch to the anti-crease action cycle at the end of the program. The door remains locked. The door can be unlocked at any time by touching the *Start/Stop* sensor control.

Removing the laundry

- Pull open the door.
- Remove the laundry.

Items left in the drum could discolor other items in the next wash or become discolored themselves.
Remove all items from the drum.

- Check the door sealing ring for any foreign objects.
- Switch the washing machine off with the ⏻ button.

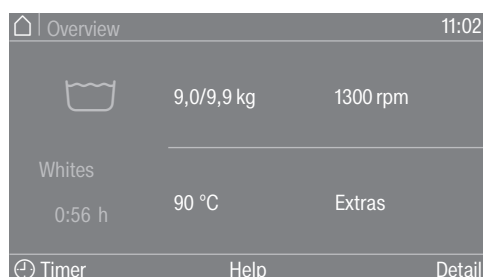
Tip: Leave the detergent drawer slightly open to allow it to dry.

Timer

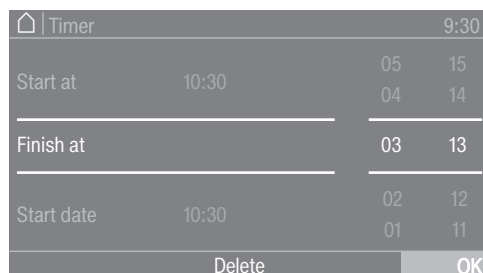
The timer can be used to select a program start date, program start time, or program end time. This mode is also referred to as delay start.

Setting the timer

- Touch the 🕒 Timer selection area.



- Select option Finish at, Start date, or Start at.



- Set the hours and the minutes or the date and confirm with the OK symbol.

Deleting the timer The selected delay start period can be canceled before the program starts.

- Touch the selection area with the selected settings in the timer field, e.g., 01.01. 11:00.

The selected delay start period will appear in the display.

- Touch the Delete selection area.
- Confirm with the OK symbol.

The selected delay start period is deleted.

Starting the timer ■ Touch the *Start/Stop* sensor control.

The door will lock and the time until the program starts will appear in the display.

After the program has started, the selected delay start period can only be changed or canceled by interrupting the program.

The program can be started immediately at any time.

- Touch the Start immediately selection area.

Special features in the program sequence

Spinning

Final spin speed

When a program is selected, the maximum spin speed for this wash program is shown in the display in the pre-start menu.

You can reduce the final spin speed.

Depending on the program, it may also be possible to increase the speed. The setting options are displayed when you tap the spin speed.

Rinse-spin

There is a spin cycle after the main wash and between the rinse cycles. A reduction in the final spin speed will also reduce the rinse-spin speed as appropriate.

Anti-crease

At the end of the program, the drum continues to turn at intervals for up to 30 minutes to help prevent creasing.

The machine cannot be opened until the program has ended.

Anti-crease is program-dependent and the option can be switched on or off in the supervisor level.
--

Altering the wash program

Changing a program

You will need to cancel the current program before you can select a new one.

Canceling a program

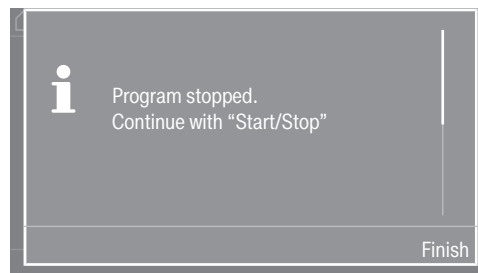
You can cancel a wash program at any time after it has started.

- Touch the *Start/Stop* sensor control.

The following will appear in the display:

i Program stopped. Continue with "Start/Stop"

The following will appear in the display:



- Select Finish.


The suds are not drained so they can be used again in a subsequent program. Once the program has ended, the program end screen is displayed. It is possible to switch to the main menu while the suds are in the drum or to drain the suds by pressing the Start draining control.


The drum door remains locked while there is water in the machine.

The door can be opened under the condition Program end without water.

- Wait until the door unlocks.
- Pull open the door.
- Remove the laundry.

Switching on the washing machine after a power failure

If the washing machine is switched off with the  button during a wash program, the program will be interrupted.

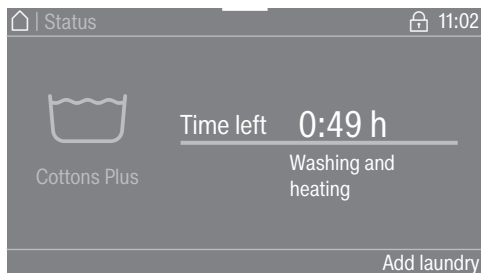
- Switch the washing machine back on with the  button.
- Note the message in the display.
- Touch the *Start/Stop* sensor control.

The program continues.

Changing the program sequence

Adding or removing laundry

You can add or remove items during the first few minutes after the program has started.



- Touch the *Add laundry* selection area.

If the message *Add laundry* is not visible in the display then it is no longer possible to add items of laundry.

The wash program will stop and the door will unlock.

⚠ Risk of chemical burns from detergent.
When adding or removing laundry, your skin may come into contact with detergent, particularly if the detergent is dispensed externally. Take care when placing your hands inside the drum.
If suds have come into contact with the skin, rinse off immediately with plenty of lukewarm water.

- Pull open the door.
- Add laundry or remove individual items.
- Close the door.
- Touch the *Start/Stop* sensor control.

The wash program will continue.

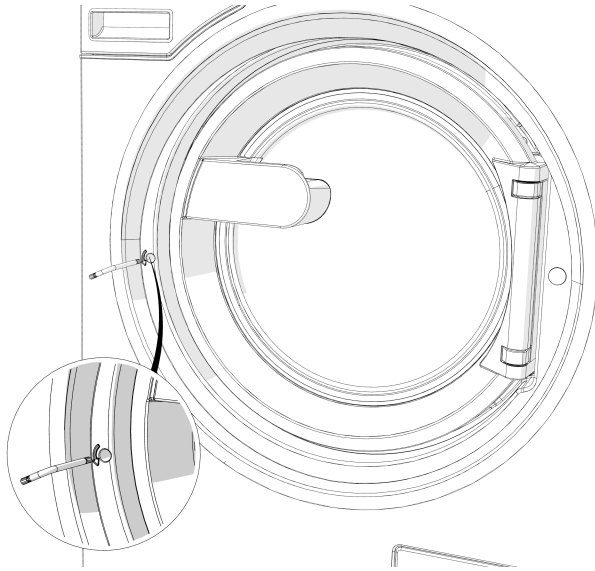
The door lock will remain activated if the temperature in the drum is above 125°F (50°C). The door lock will not deactivate until the temperature has dropped to below 125°F (50°C).

Troubleshooting

Opening the door in an emergency in case of a power failure

The drum door cannot be opened.

⚠ Warning! Danger from rotating drum and danger of scalding.
Before inserting the Torx wrench, make sure that the machine is disconnected, the drum has stopped, and there is no water in the machine.



- Turn the release element with a T 40 Torx wrench two whole revolutions **counterclockwise (left)**.

Tip: Pushing on the door at the same time makes it easier to turn the emergency release element.

The release element is opposite the door hinge at the same height as the door handle (see diagram).

The release element must not be turned to the right.
This damages the door lock.

The resistance will noticeably decrease. When the release element moves freely, the door is unlocked.

Tip: The release element does not need to be screwed back in.

The door can now be opened.

Frequently asked questions

Customer Service

In the event of a malfunction, contact Customer Service.

When contacting Customer Service, please quote the model, serial number (SN), and material number (mat. no.) of your machine. This information can be found on the data plate. The data plate is visible in the door ring when the drum door is open, or on the back of the machine at the top:

Model			
SN:	/	0 0 0 0 0 0 0 0	
Art.-Nr.		Mat -Nr.	
IBN			

Symbol icon


Please also tell Customer Service the fault message that appears on the machine display.

Use only original Miele spare parts. Customer Service will also require the model, serial number (SN), and material number (mat. no.) when ordering.


Frequently asked questions

The majority of faults and problems that arise during day-to-day use can be remedied without external assistance. You can save time and money in many cases, as you do not need to contact Miele Customer Service.

The following tables are designed to help you to find the cause of a malfunction or an error and to resolve it. However, please note:

 Repair work to electrical appliances must only be carried out by an authorized technician. Incorrect repairs can cause considerable danger to users.


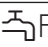


The wash program will not start

Problem	Possible cause and solution
The display remains dark, and the <i>Start/Stop</i> sensor control does not light up or flash.	<p>There is no power to the washing machine.</p> <ul style="list-style-type: none"> ■ Check whether the washing machine is switched on. ■ Check whether the washing machine is connected to the power supply. ■ Check whether the fuse has tripped. <p>The washing machine has switched off automatically to save energy.</p> <ul style="list-style-type: none"> ■ Switch the washing machine back on with the  button.
The following appears in the display: F - Door lock fault. You can continue by pressing the "Start/Stop" button	<p>The door is not locked properly. The door lock could not engage.</p> <ul style="list-style-type: none"> ■ Close the door again. ■ Start the program again. <p>If the fault message appears again, contact Customer Service.</p>
The display is dark and the <i>Start/Stop</i> sensor control is flashing slowly.	<p>The display has switched off automatically to save energy.</p> <ul style="list-style-type: none"> ■ Touch any of the controls. The display switches back on.



Frequently asked questions

Problem	Possible cause and solution
The program is on the pre-start screen and the <i>Start/Stop</i> sensor control is not flashing.	The drum door has been pushed to but is not closed correctly. <ul style="list-style-type: none"> ■ Check whether the drum door is closed correctly.

Program cancellation and fault message

Problem	Possible cause and solution
 F - Water drainage fault. If restart fails, contact Service.	The drain is blocked or restricted. The drain hose has been fixed too high. <ul style="list-style-type: none"> ■ Clean the drain filter and the drain pump. ■ The maximum delivery head is 3' 3" (1 m).
 F - Water intake fault. If restart fails, contact Miele.	The water inlet is blocked or restricted. <ul style="list-style-type: none"> ■ Check whether the faucet is turned on properly. ■ Check whether the water inlet hose is kinked.
	The water pressure is too low. <ul style="list-style-type: none"> ■ Switch on the Low water pressure setting (see "Supervisor level – Low water pressure").
	The water inlet filters are blocked. <ul style="list-style-type: none"> ■ Clean the filters (see "Cleaning and care – Cleaning the water inlet filters").
 Disinfection temperature not reached	The required temperature was not reached during the disinfection program. <ul style="list-style-type: none"> ■ The washing machine has not carried out the disinfection cycle correctly. ■ Restart the program.
 Fault F. If restart fails, contact Service.	There is a fault. <ul style="list-style-type: none"> ■ Disconnect the washing machine from the power supply. ■ Wait at least 2 minutes before reconnecting the washing machine to the power supply. ■ Then switch the washing machine on again. ■ Restart the program. If the fault message appears again, contact Customer Service.


There is a fault message on the display

Problem	Possible cause and solution
 Container empty	One of the external detergent containers is empty. <ul style="list-style-type: none"> ■ Refill the detergent containers.
 Hygiene info: run a program of at least 60°C	During the last wash, a wash program with a temperature below 140°F (60°C) or the <i>Drain/Spin</i> program was selected. <ul style="list-style-type: none"> ■ Start a program with a minimum temperature of 140°F (60°C) or the Clean Machine program.



Frequently asked questions

Problem	Possible cause and solution
i F - Water intake fault. If restart fails, contact Miele.	The hot water supply is blocked or restricted. <ul style="list-style-type: none"> ■ Check whether the hot water supply has been turned on properly. ■ Check whether the water inlet hose is kinked.
i Laundry not properly spun	The selected spin speed was not reached during the final spin due to excessive imbalance. <ul style="list-style-type: none"> ■ Check that the washing machine is level. ■ Start the spin cycle again.
i Machine is leaking	The washing machine or drain valve is leaking. <ul style="list-style-type: none"> ■ Close the faucet. ■ Contact Customer Service.

Insufficient wash results

Problem	Possible cause and solution
Liquid detergent is not achieving the required results.	Liquid detergents usually contain no bleaching agents. They do not remove fruit, coffee, or tea stains. <ul style="list-style-type: none"> ■ Use powder detergent containing a bleaching agent. ■ Pour powder stain remover into drawer  in the dispenser compartment and liquid detergent into a dispenser ball. ■ Never put powder stain remover and liquid detergent together in the detergent drawer.
White residues which look like powder detergent are seen on dark textiles after washing.	The detergent contained compounds (zeolites) to aid water softening which are not soluble in water. These have ended up on the laundry. <ul style="list-style-type: none"> ■ Try and brush off the residues with a soft brush once the laundry is dry. ■ In the future, wash dark textiles using a detergent which contains no zeolites. Liquid detergents do not usually contain zeolites.
Textiles that were very greasy are not properly clean.	<ul style="list-style-type: none"> ■ Select a program with pre-wash. Use liquid detergent for the pre-wash. ■ Continue to use universal powder detergent for the main wash.
	The use of heavy-duty detergent is recommended in the main wash for very heavily soiled workwear. Please seek advice from the detergent and cleaning agent manufacturer.
There are gray, oily particles clinging to washed laundry.	Not enough detergent was dispensed. The laundry was heavily soiled with grease (oils, ointments). <ul style="list-style-type: none"> ■ Use more detergent or liquid detergent with this type of soiled laundry. ■ Before washing the next load, run a 140°F (60C) program with liquid detergent and no load.

General problems with the washing machine

Problem	Possible cause and solution
The washing machine shakes during the spin cycle.	The machine feet are not level and not secured. <ul style="list-style-type: none"> ■ Adjust the machine and secure the feet.
Strange pump noises can be heard.	This is not a fault. These slurping noises occur at the start and end of a pump sequence as a normal part of the operation.
Large amounts of detergent residue remain in the detergent drawer.	The water flow pressure is too low. <ul style="list-style-type: none"> ■ Clean the filters in the water intake.
	Powder detergent used in conjunction with water softeners tends to become sticky. <ul style="list-style-type: none"> ■ Clean the detergent drawer and in future, add detergent first and then the water softener into the compartment.
Fabric softener is not completely dispensed or too much water remains in the  compartment.	The siphon is not correctly positioned or is clogged up. <ul style="list-style-type: none"> ■ Clean the siphon (see “Cleaning and care – Cleaning the detergent drawer”).
The display is in a different language.	A different language has been selected. <ul style="list-style-type: none"> ■ Switch the washing machine off and on again. The selected supervisor language appears in the display.
	The supervisor language has been changed. <ul style="list-style-type: none"> ■ Select the language you require (see “Supervisor level – Language”).
The laundry has not been spun properly. The laundry is still wet.	The machine detected a high level of imbalance during the final spin and reduced the spin speed automatically. <ul style="list-style-type: none"> ■ Include both large and small items in the load as this will achieve better distribution.
The drum remains stationary but the program keeps running.	Fault in the program sequence <ul style="list-style-type: none"> ■ Switch the washing machine off and then back on with the  button. ■ Note the message in the display. ■ Touch the <i>Start/Stop</i> sensor control. The drum continues to spin and the program continues.

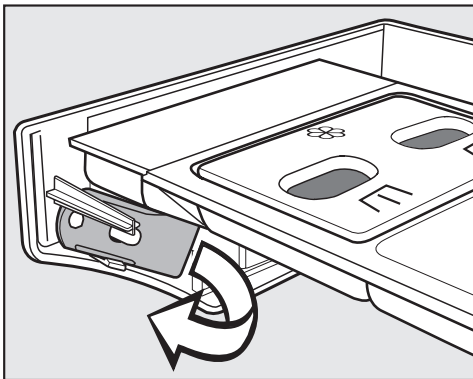
Frequently asked questions

The door will not open

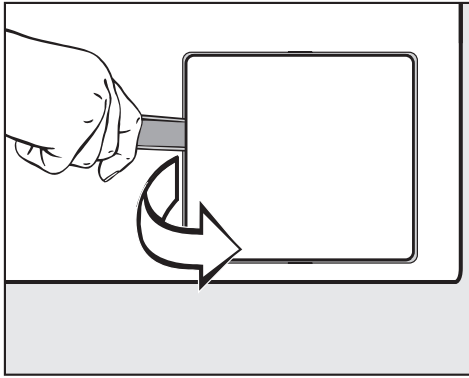
Problem	Possible cause and solution
The door cannot be opened.	The door is locked during the wash process. <ul style="list-style-type: none"> ■ Touch the <i>Start/Stop</i> sensor control. ■ Select Program abort or Add laundry. The door will unlock and you will be able to pull it open.
	There is still water in the drum and the machine is unable to drain. <ul style="list-style-type: none"> ■ Clean the drainage system as described under “Opening the door in the event of a blocked drain outlet and/or power outage”.
At the end of a program or when a program is canceled, the following appears in the display: Cooling down or Comfort cooling.	To protect the user against scalding, the door cannot be opened if the suds temperature is higher than 130°F (55°C). <ul style="list-style-type: none"> ■ Wait until the temperature in the drum has decreased and the message has gone out in the display.
The following appears in the display: F - Door lock fault. Contact Service.	The door lock has jammed. <ul style="list-style-type: none"> ■ Contact Customer Service.

Opening the door in the event of a blocked drain outlet and/or power outage

⚠ Disconnect the appliance from the electrical power supply.



- There is a lever behind the detergent drawer panel which opens the access panel to the drainage system. The lever is provided in the accessory pack for models with a locked detergent drawer. Remove the lever.



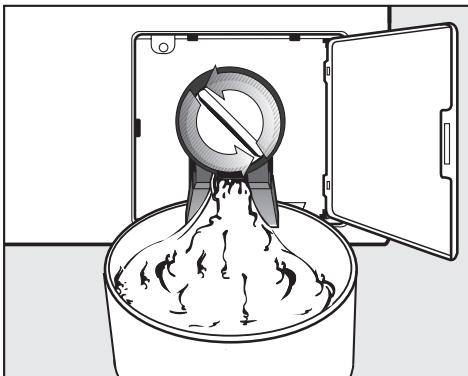
- Open the access panel to the drainage system.

If the drain outlet is clogged, a large amount of water may be retained in the washing machine.

⚠ If laundry has been washed at a high temperature, water draining out of the machine will still be hot.

- Place a suitable container under the access panel.

Do not unscrew the drain filter completely.

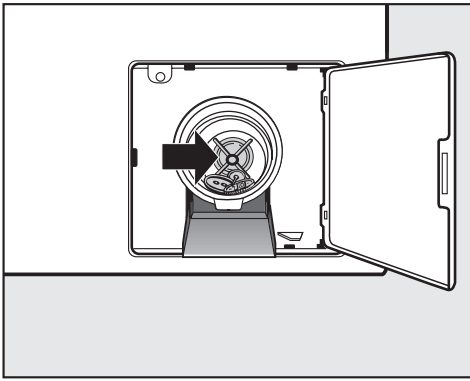


- Unscrew the drain filter to let the water out.
- Tighten the drain filter back up again if you need to interrupt the flow of water.



- If no water flows out, unscrew the drain filter completely.
- Clean the drain filter thoroughly.

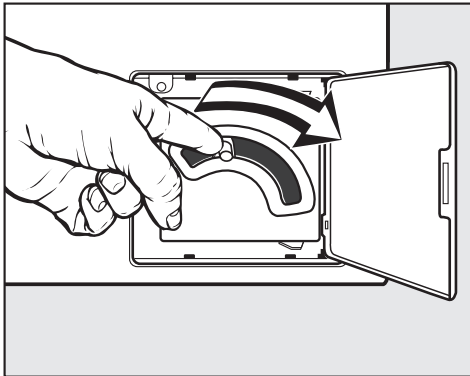
Frequently asked questions



- Remove any foreign objects (e.g., buttons, coins, etc.) and clean the interior. Turn the impeller by hand to check that it rotates freely.
- Put the drain filter back in place and screw it tight.

⚠ Make sure the drain filter is reinserted and securely tightened. Otherwise there is a risk of water leakage during use.

Machines with drain valve



- If the machine has a drain valve, push the emergency drain lever downward and hold until no more water runs out.

- Carry out cleaning and maintenance of the washing machine after use if possible.

Do not use a power washer or hose to clean the washing machine.

- Clean the **machine casing, control panel, and plastic parts** with a mild, non-abrasive cleaning agent or with a soft, damp cloth only. Wipe dry with a soft cloth.

Scouring agents will scratch the surface.

- Clean stainless steel parts of the casing with a standard commercial stainless steel cleaner.
- Remove any deposits from the door seal with a damp cloth.

Cleaning agent can seep into electrical components.

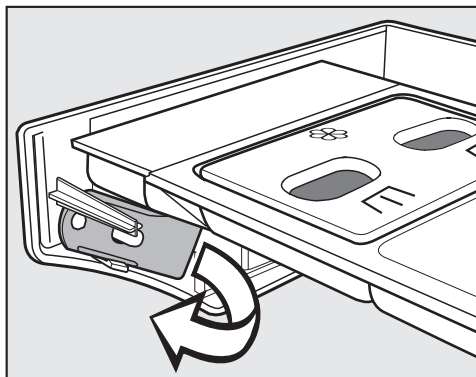
- When disinfecting the surfaces, use a moist cloth only to clean the front and around the door lock. Do not spray any liquids.

Build-up of rust

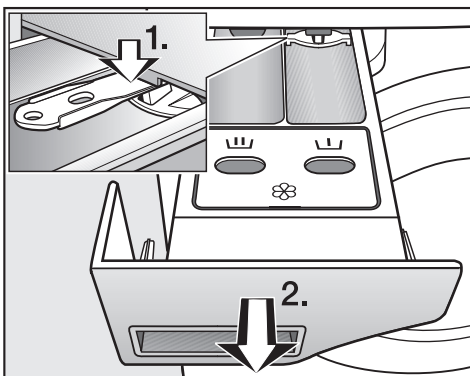
The drum is made of stainless steel. Water or foreign objects containing ferrous substances (e.g., paper clips, metal buttons, or metal swarf) which are placed in the machine with the laundry can cause a build-up of rust in the drum. Clean the drum regularly in this case and if rust occurs, remove it immediately with a proprietary stainless steel care product. Check the door seals for ferrous residues and clean thoroughly as described above. This must be carried out regularly.

Cleaning the detergent drawer, detergent compartments, and siphons

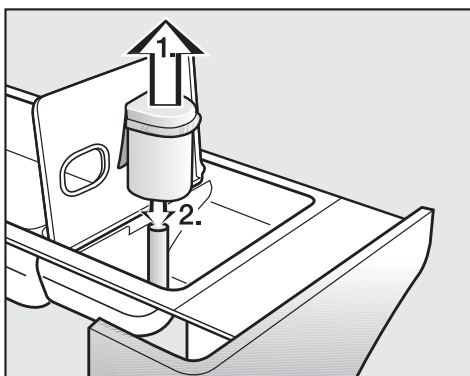
- Clean the detergent drawer and the detergent compartments thoroughly with hot water as required to remove detergent residues and incrustations.
- If the machine is not going to be used for a long time, leave the flap of the detergent drawer open.




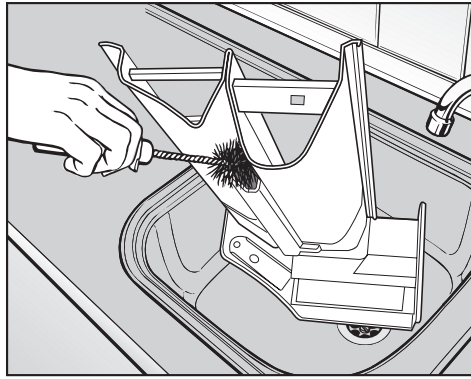
- There is a yellow lever behind the detergent drawer panel.
- Remove the lever.



- Pull out the detergent drawer until a resistance is felt.
1. Use the lever to push down and release the lock.
 2. Remove the detergent drawer.

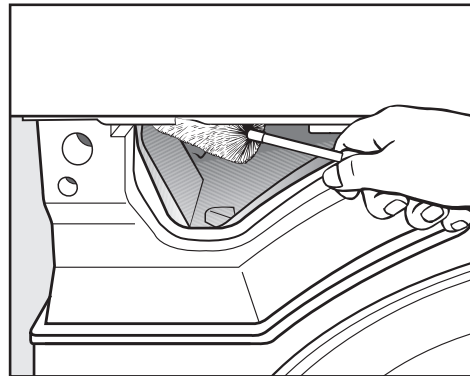


- Clean the siphon.
1. Remove the siphon from the  compartment and rinse under warm running water. Clean the siphon tube in the same way.
 2. Reinsert the siphon.



- Clean the fabric softener channel using a brush and warm water.

Clean the siphon and fabric softener channel particularly thoroughly after using liquid starch a few times. Liquid starch results in clogging.



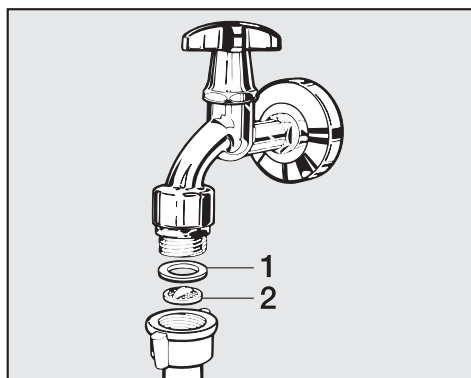
- Use a bottle brush to remove detergent residues and limescale from the jets inside the detergent drawer.

Cleaning the water inlet filters

The washing machine has filters to protect the water intake valves. You should inspect the filters approximately every 6 months. Check the filters more often if there are frequent interruptions to the external water supply.

Cleaning the filters in the inlet hoses

- Turn off the faucet.
- Unscrew the inlet hose from the faucet.



- Remove the rubber seal (1) from the recess.
- Using combination or needle-nose pliers, take hold of the plastic filter bar (2) and remove it.

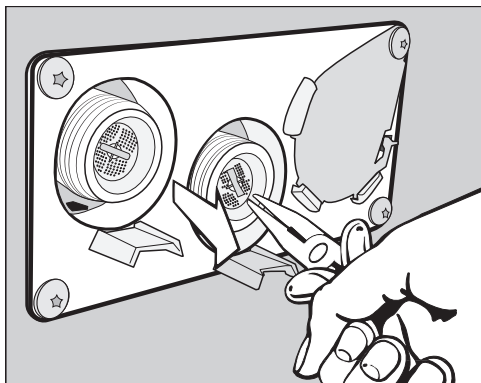
Cleaning and care

- Clean the plastic filter.
- Re-assemble in reverse order.

Turn on the water supply and check the connection is watertight. If water drips out, tighten the connection.

Cleaning the filters in the water intake valves

- Using pliers, carefully loosen the ribbed plastic nut on the intake valve and unscrew.



- Use needle-nose pliers to withdraw the filter by the bar and clean it. Re-assemble in reverse order.

The filters must be reinserted after cleaning.

Installing the washing machine

The washing machine must be installed by Miele Customer Service or by an authorized dealer. Please observe the instructions in the installation plan.

This washing machine is only intended for items of laundry that have not been proofed with dangerous or inflammable substances.

- To avoid the risk of frost damage, the washing machine must not be located in rooms which may be subject to very low temperatures.
- Transport the machine on a pallet truck inside the room.

Machines with feet must not be pushed to move them. This could damage the machine feet.

- Remove the packaging carefully with a suitable tool.
- Lift the machine off the pallet using a lifting device.

Securing the machine

- The feet of the washing machine must be secured to the floor using the fixtures and fastenings supplied.

The material provided is intended for use in bolting the machine to a concrete floor. If other floor types are present at the installation site, the fastening material must be ordered separately.

General operating conditions

This washing machine is intended only for use in a commercial environment and must only be operated indoors.

Ambient temperature in installation room: 32°F (0°C) to 140°F (40°C)

Relative humidity: non-condensing

Depending on the nature of the installation site, sound emissions and vibration may occur.

Tip: Have the machine's installation site inspected and seek the advice of a specialist in instances where increased noise may cause a nuisance.

Performing maintenance

To facilitate future maintenance and servicing by Miele Customer Service, the minimum clearances and distance to the wall must be provided to enable access.

- You must observe the minimum clearances and distance from the wall.

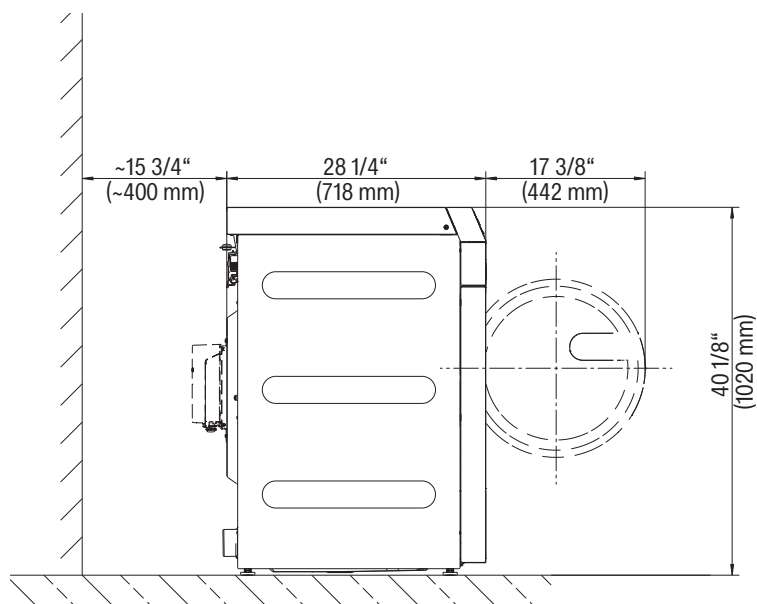
Minimum safety distance to the wall approx. 15 3/4" (400 mm) to allow for maintenance.

Minimum safety distance to the side 2" (50 mm) (wall or other machines).

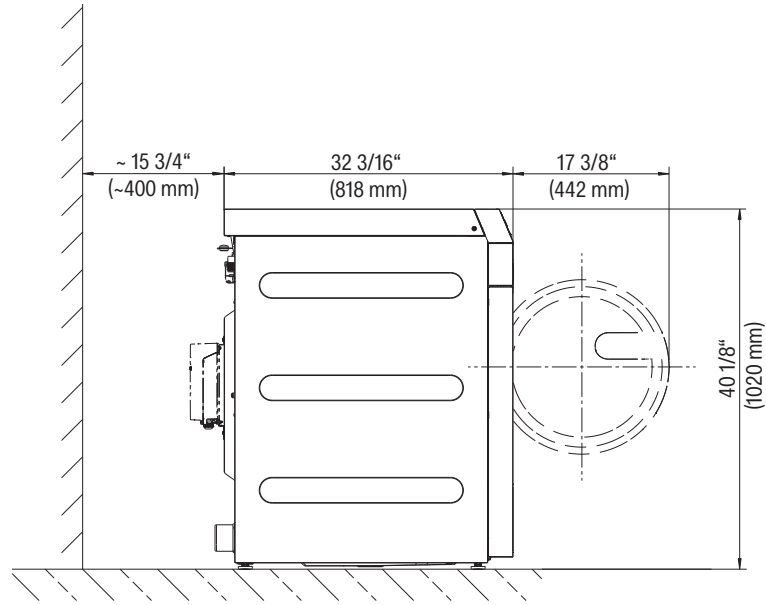
- Adjust the washing machine's adjustable feet until the machine is level.

The washing machine must be completely level to ensure smooth operation.

PWM 509



PWM 511



Installation

Installing the washing machine

- Transport the washing machine to the installation site.

⚠ Ensure that it is stable during transportation.

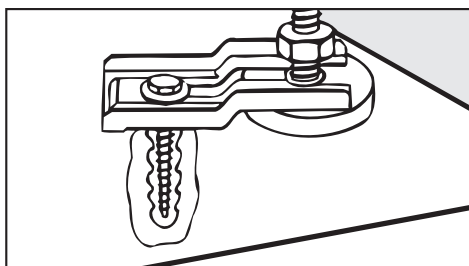
⚠ Do not pick it up by the drum door.

⚠ The washing machine must not be installed under a counter.

Installation on a base

The machine may be installed on an open or closed steel base or on a concrete base.

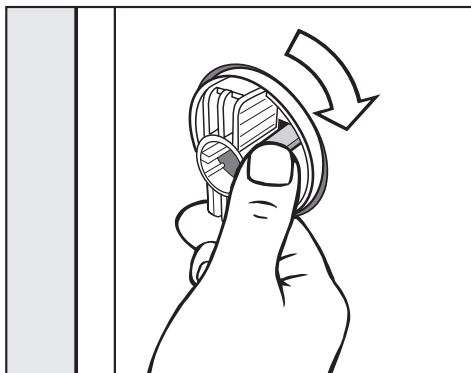
⚠
There is a risk of the machine moving and falling off the base during spinning.
If the machine is installed on a base already present on site, it must be secured using tensioning strips.



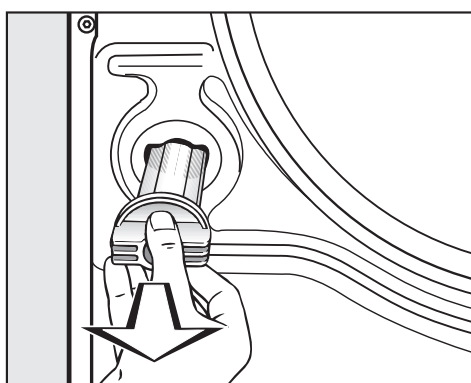
- Secure the front feet of the machine with the tensioning strips supplied.
- Follow the installation instructions supplied.

Shipping struts

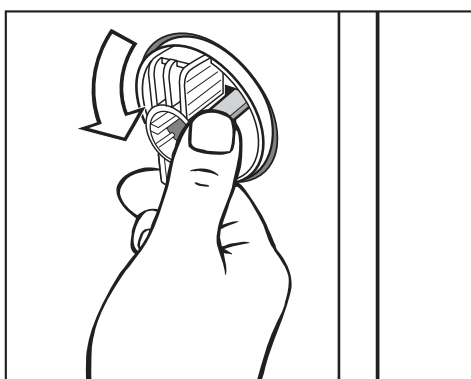
Removing the shipping struts



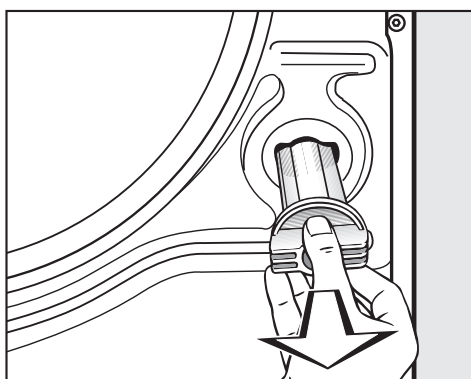
- Release the catch and turn the left-hand shipping strut 90° clockwise.



- Pull out the shipping strut.

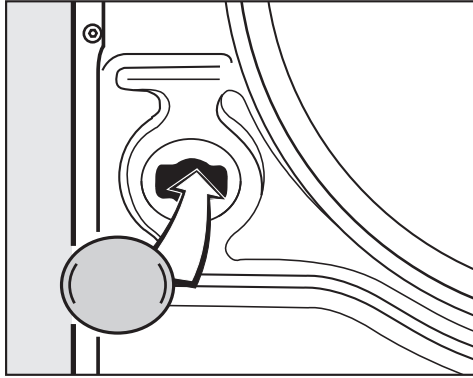


- Release the catch and turn the right-hand transit bar 90° counter-clockwise.



Installation

- Pull out the shipping strut.



- Place the supplied stoppers on the two holes.

Keep the shipping struts. They must be re-assembled before transporting the machine.

Reinstalling the shipping struts

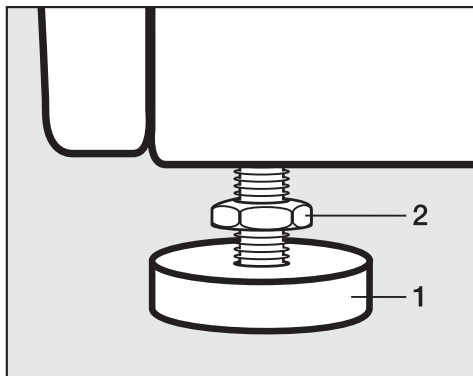
- Reinstall the shipping struts by following these instructions in reverse order.

Leveling the machine

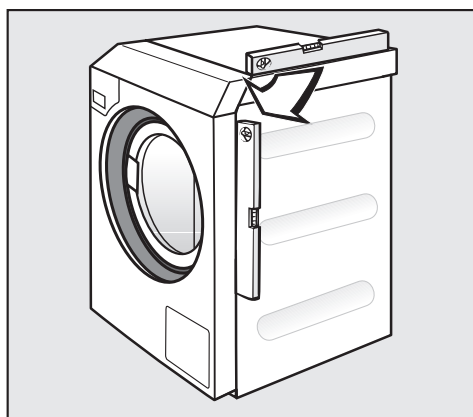
Ensure that the machine feet and the installation surface are dry to prevent the machine from slipping during the spin cycle.

Incorrect installation may increase water and energy consumption and may cause the machine to move about.

The four adjustable feet are used to level the washing machine. All of the feet are screwed in when the machine is delivered.



- Using the wrench supplied, turn the counter nut (2) in a clockwise direction. Then turn the counter nut (2) together with the foot (1) to unscrew.



- Use a spirit level to check the machine is standing level.
- Hold the foot (1) securely with a pipe wrench. Turn the counter nut (2) again using the wrench supplied until it sits firmly up against the casing.

The counter nuts must sit firmly up against the casing. Please also check this for the feet which did not need adjustment. Otherwise there is a risk of the washing machine moving about.

Water connection

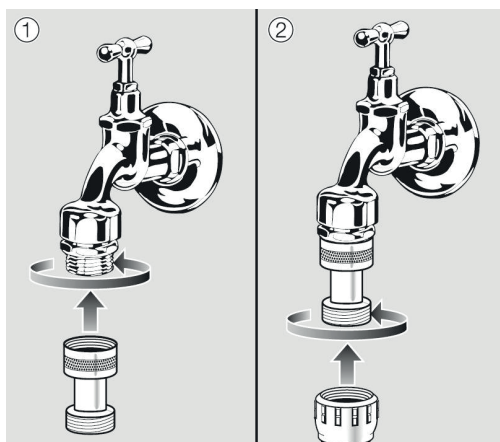
The flow pressure must amount to a minimum of 100 kPa (14.5 psi) and must not exceed an overpressure of 1,000 kPa (145 psi). If the flow pressure is higher than 1,000 kPa (145 psi), a pressure reducing valve must be used.

The machine must be connected to the water connection using the water inlet hoses provided.

Installation

⚠ The connection points are subject to water connection pressure. Turn on the faucets slowly and check for leaks. Correct the position of the seal and screw thread if appropriate.

Use of non-return valves



- Attach the non-return valve to the faucet.
- Attach the water inlet hose to the thread of the non-return valve.

⚠ Risk to health and risk of damage due to contaminated incoming water.

The quality of the incoming water must comply with the drinking water regulations in the country in which the washing machine is being operated.

Always connect the washing machine to the drinking water supply.

Hot water connection The same connection requirements as for cold water also apply to hot water up to 158 °F (70 °C).

A suitable connection hose with a threaded union is supplied with the machine.

The machine with hot water connection also requires a cold water connection.

In the event that hot water is not available on site, a cold water supply must be used for the hot water connection.

The required amount of hot water should be added to the cold water volume.

Alternatively, the hot water connection should be blocked using the blind stopper supplied with the machine and the machine controls should be set to cold water intake.

Cold water connection For the cold water connection one faucet each with a $\frac{3}{4}$ " screw thread is required.

If a water connection is not available, only a qualified installer may connect the washing machine to the drinking water supply.

The inlet hose for cold water is not suitable for connection to a hot water connection.

Note for Switzerland

A backflow preventer must be installed in accordance with SIA 385.351 / EN 1717 and the recommendations of the SVGW. A standard-compliant backflow preventer can be obtained from your plumber.

Regulations for Austria

Only pipes which comply with § 12 Section 1 of the 1960 Regulation on Execution of the Water Supply Act may be used to connect the machine with the installation location interior.

The use of rubber or plastic tubing as pressure connection piping between the installation location interior and the machine is only permitted if:

- in conjunction with connection fittings, it can withstand a minimum permanent pressure of 1,500 kPa (15 bar),
- it is satisfactorily inspected during commissioning, and
- after each use of the machine the water supply is reliably cut off before the rubber and plastic piping and put out of service or cut off from the location interior.


Drain valve (depending on model)

In the case of washing machines with a drain valve, a motorized valve is used to drain the machine. An HT DN 70 (2 15/16" | 75 mm) angle connector can be used for connecting the drain valve directly into the waste water system (without a siphon) or into a floor drain (on-site gully with odor trap).

Thanks to an improved closing mechanism and a larger cross-section, even the coarsest of soil does not leave any deposits or debris behind which could result in blockages. The drain valve can also be operated manually to allow the suds container to be emptied in the event of a power failure.

A vented drainage system is vital for unimpeded drainage. If several machines are connected to a single drain pipe, this should be sufficiently large to allow all machines to drain simultaneously. If the slope for drainage is extremely steep, the piping must be vented to prevent formation of a vacuum in the washing machine's drainage system.

Slow or obstructed drainage or a backup of water in the drum as a result of undersized pipework can result in faults occurring during program sequences, which will result in fault messages appearing in the machine display.

 Outflowing suds can be as hot as 203°F (95°C). Danger of injury by burning!
Avoid direct contact.

Drain pump (depending on model)

In machines with drain pump, the suds are drained through a drain pump with a delivery head of max. 3.3 ft (1 m).

The drain hose must be installed free of kinks for the suds to drain freely.

There are the following options for draining the machine:

- drain hose connected to a plastic drain pipe with a rubber sleeve (there is no need to use a siphon)
- drain hose connected securely to a sink with a plastic nipple
- connected securely to a floor drain (gully)

If required, the hose can be extended to a length of up to 16.4 ft (5 m). For a drain height of more than 3' 3" (1 m), a replacement drain pump for a delivery head of max. 6 ft (1.8 m) is may be needed.

Electrical connection

The electrical connection must only be carried out by a suitably qualified electrician in accordance with local and national regulations.

A **residual current device (RCD) type B** (sensitive to universal current) must be used if one is being installed.

The voltage is stated on the data plate.

For hard-wired machines, an all-pole means of deactivation must be provided on site. Switches with a minimum contact gap greater than 1/8" (3 mm) are suitable disconnectors. These include C/B, fuses, and contactors (VDE 0660).

The plug connector or disconnector must be easily accessible at all times.

If the machine is disconnected from the power supply, the disconnector must be lockable or the point of disconnection must be monitored at all times.

Preventing hazards

If the power cord for this machine is damaged, it must be replaced by the manufacturer, Customer Service, or a similarly qualified person.

Please check the enclosed wiring diagram.

Reference to external machines

A reference to external hardware appears.

- Confirm with the *OK* symbol.

If using a Connector Box, connect it before initial commissioning. The washing machine must be disconnected from the power supply. Then start the commissioning process.

Optional accessories

Only use genuine Miele spare parts and accessories with this machine.

Using parts or accessories from other manufacturers may void the warranty, and Miele cannot accept liability.

Connector Box

The Connector Box allows external hardware from Miele and other suppliers to be connected to the Miele Professional washing machine. The Connector Box is supplied with voltage by the Miele Professional washing machine.

The separately available set consists of the Connector Box and fasteners for installation on the machine or on the wall.

Peak load/energy management

A peak-load or energy management system can be connected via the Connector Box.

The energy management system monitors the energy consumption of a system and deactivates individual pieces of equipment temporarily by means of the peak-load negotiation in order to ensure that certain total load limits are not exceeded.

When the peak-load function is activated, the heating is deactivated and the program stopped. A message appears in the display to inform you of this.

The program is resumed automatically when the peak-load function finishes.

Liquid dispensing connection

External liquid dispenser pumps with a “container empty” indicator and/or flowmeters can be used via the Connector Box to dispense liquid detergents.

It is particularly important to observe the manufacturer’s instructions when using a combination of cleaning agents and special application products.

Installation

WiFi/LAN interface

The washing machine is equipped with a WiFi/LAN interface for exchanging data.


The data interface provided on the LAN connection complies with SELV (Safety Extra Low Voltage) in accordance with EN 60950. The LAN connection uses a RJ45 connector in accordance with EIA/TIA 568-B.

Connected machines must also comply with SELV.

Base (APWM037/038/ 039)

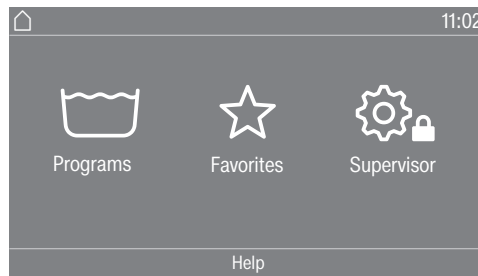
The washing machine can be installed on a machine base (open or box base, available as an optional Miele accessory).

Elevating the washing machine gives a better ergonomic working position when loading or unloading. At the same time it facilitates the installation of a drain connection.

 The washing machine must be secured to the base immediately after installation. The base must be secured to the floor. There is a risk of the washing machine falling off a raised base during a spin cycle if it is not secured.

Opening the supervisor level

- Switch on the washing machine.



- Touch the Supervisor  selection area.

The display will change to the Supervisor level menu.

Code-based access

The supervisor level is accessed using a code.

The code is **000** (factory default).

After entering the code, you will be in the supervisor level. The individual setting options are described in the following sections.

Changing the code

You can alter the supervisor level access code to protect the washing machine from unauthorized access.

Please inform Miele Customer Service if you have forgotten your new code. Customer Service will have to reset the code.
Make a note of your new code and store it in a safe place.

Closing the Settings menu

- Touch the  symbol.

The display will then go back to the previous menu level.

- Touch the  symbol.


The display will change to the main menu.

Supervisor level

Operation/display

Language


The display can be set to appear in one of several different languages. To select the permanent supervisor language you want, go to the Languages submenu.

When a program is running, you can change the user language using the  sensor control.


Language menu

The display can be set to one of several different user languages. This setting allows you to determine how languages can be selected.

International

6 languages are available. The  sensor control is not active. Note the setting *Set languages*.

Language setting

The  sensor control can be used to select a language. All languages are available (factory default).

You can change the order of the first 4 languages. These slots are allocated to the most commonly used languages.

Standard language

The user language cannot be changed. The user language is the same as the supervisor language. The  sensor control is not active.

Set languages

The languages for the Language entry International setting can be changed.

6 languages can be selected. All languages are available.

If you wish to add a new language to the language menu:

- First select the language you want to replace.

All available languages are displayed.

- Select and confirm the language to replace the previous language.

The new language appears instead of the old one.

Display brightness

The brightness of the display can be altered. The setting depends on the various lighting conditions in the place of installation.

It can be set to one of 10 different levels.

Time	<p>After selecting the clock format, you can set the time of day.</p> <p><u>Clock format</u></p> <ul style="list-style-type: none">- 24 h clock- 12 h clock- No clock <p><u>Set</u></p> <ul style="list-style-type: none">- The time can be set.
Date	<p>The date can be set after selecting the date format.</p> <p><u>Date format</u></p> <ul style="list-style-type: none">- DD.MM.YYYY- YYYY.MM.DD- MM.DD.YYYY <p><u>Date</u></p> <ul style="list-style-type: none">- The date can be set.
Volume	<p>The volume for various sounds can be changed.</p> <ul style="list-style-type: none">- Finish tone- Keypad tone- Welcome tone <p>It can be set to one of 7 different levels or switched off altogether.</p> <ul style="list-style-type: none">- Fault tone <p>The fault tone can be activated or deactivated.</p>
Visibility parameters	<p>Various parameters, such as the temperature, spin speed, Extras, etc., are displayed when a program is selected. You can decide which parameters should not be displayed. The parameters cannot be changed/are no longer displayed.</p> <p>Factory default: all parameters are visible (marked in orange)</p>
Machine off status	<p>In order to save energy, the washing machine can be set to switch to standby mode automatically after the end of the program or if no further selection is made. In the default setting, the machine will not switch to standby mode automatically.</p> <p>Changing this setting leads to increased energy consumption.</p> <ul style="list-style-type: none">- No switch-off (factory default)- Switch-off after 15 minutes- Switch-off after 20 minutes- Switch-off after 30 minutes
Delay start	<p>The delay start (timer) display can be switched on or off.</p> <p>Factory default: on</p>
Memory	<p>The washing machine will save the settings (temperature, spin speed, and some of the options) which have been selected for a wash program after the program has started.</p>

Supervisor level

When the wash program is chosen again, the saved settings will appear in the display.

Factory default: off

Temperature unit

You can select the unit for the temperature display (°C/°F).

Weight unit

You can decide whether load sizes are displayed in “kg” or “lbs”. You can also switch this information off altogether.

Supervisor code

You can alter the access code to the supervisor level.

- Enter the current code.
- Enter a new code.

WiFi

For the use of WiFi / LAN additional Miele digital products are necessary. The ability of Miele digital products depends on the availability of the services in your country.

The different services are not available in all countries.

For information about availability, please visit www.miele.com.

Control the networking of your washing machine.

- Setup

This message only appears if the washing machine has not yet been connected to a WiFi network.

- Deactivate (visible when the network is activated)

The network remains set up; the WiFi function is switched off.

- Activate (visible if the network is deactivated)

The WiFi function is reactivated.

- Connection status (visible when the network is activated)

- The quality of WiFi reception
- The network name
- The IP address

- Set up again (visible if already set up)

Resets the WiFi login (network) to immediately re-establish a new connection.

- Reset (visible if already set up)

The network is no longer set up. A new connection has to be established in order to use the network again.

- The WiFi is switched off
- The WiFi connection will be reset to the factory default

Program selection

Controls

Tip: Start by configuring all necessary settings and changes to the washing machine before selecting any of the options below.

If “Laundromat, basic” or “Laundromat, Logo” is selected, the supervisor level can no longer be opened from the display after the *Supervisor level* is closed. Please follow the instructions below for special access to the supervisor level if you wish to change any other settings.

Standard (factory default).

All functions and programs can be displayed.

Laundromat, basic

Up to 12 programs are available. Go to Favorite programs to select which programs are to be listed.

Laundromat logo

Up to 12 programs are available. Go to Favorite programs to select which programs are to be listed.

External program selection

Programs are selected using a communication module, e.g., an external terminal.

Program packages

The selection of programs can be expanded by activating single programs from the target group program packages.

The programs selected from the program packages (marked in orange) are displayed during program selection.

Favorite programs

After switching on, you can also select a program via: ☆ Favorites. 24 programs can be stored as favorites based on your own priorities and requirements.

These favorite programs will also be made available in the control options

- *Laundromat logo*
- *Laundromat, basic.*

You can specify the control option under Controls.

Tip: You can assign a separate colored frame to each program. In this case, the Program color allocation setting must be set to *On*.

Changing favorite programs

- Select the program you wish to change or replace.
- Confirm the program or the setting to be changed.

Another menu opens, enabling you to select a new program or change the parameters.

- Confirm by touching the *Save* selection area.

Your selection is now active.

Sort programs

Programs can be moved within the program list and in the favorites list.

Factory default: off

Supervisor level

- Moving programs
- Touch the selection area for the program you want to move.
 - Press and hold the selection area until the frame changes.
 - Drag the program to the required place.

Program color allocation

You can assign a frame to a favorite program. In the list of favorites, each favorite program is given a colored frame, which can be adjusted.

Factory default: on

Expert code

A code has to be entered to cancel a disinfection program. The code can be modified.

The expert code is not the same as the supervisor level code.

The code is: 0 0 0

Make a note of your new code if you ever change it.

Process technology

Anti-crease

The Anti-crease function helps prevent creasing after the end of the program. At the end of the program, the drum continues to turn for up to 30 minutes.

The washing machine door can be opened at any time during the Anti-crease phase.

Factory default: on

Supervisor level

Automatic drainage

Automatic water drainage can be switched on or off. Automatic water drainage means that the suds are always drained away after the end of a program. This is also the case for programs that reach the program end with water still in the drum.

Service

Service interval

Service information can appear in the display. You can configure whether a date or the number of operating hours is displayed.

You can select up to 3 messages with their own text.

Your message is displayed at the end of the program and can be acknowledged with *OK*. The same message appears at the end of the next program.

Settings

This setting allows you to determine the interval (by hours or date) at which the message appears.

- Factory default: off
- By time
You can then select a time interval from 1–9,999 hours.
- By date
You can then enter a date.

Message text

Enter your message for your planned maintenance work.

Resetting the display

The message appears until the display is permanently reset. The message then appears again once the next interval is reached.

External applications

Connector box

External hardware is connected via the Connector Box. This can be switched on or off.

The Connector Box must be selected in order for settings to be made in the Dispensing menu.

Automatic dispensing

Automatic dispensing can be switched on or off.

Automatic dispensing can be activated via the Connector Box or the COM module.

Dosage

The Connector Box must be switched on in order for settings to be adopted in the Dispensing menu.

1–6 dispenser pumps can be switched on.

Further settings can be made after activating the dispenser pump.

- Deactivate disp. pump
- Calibration
- Flow rate (new): ml/min
- Correction factor
- Container size
- Adv. warning level reminder

- Reset adv. warning
- Level reminder
- Flow meter

Peak load prevention

The peak-load prevention function can be switched on or off. With this function, the execution of a wash program is not affected when a peak-load signal is in place. The heater stays switched on.

Machine parameters

Maximum spin speed

The maximum spin speed can be set via a keypad.

Max. adjust. temperature

The maximum temperature can be set via a keypad.

Legal Information

[Open source licenses](#)

You can view information here (see WiFi data protection).

Networking

Pairing instructions

Follow the steps below to connect the washing machine to your network.

Opening the supervisor level

- Select the Supervisor menu option in the machine display.
- Select the Access via code menu option.
- Enter the 3-digit supervisor code.

Establishing the network connection via WPS

- Select the Supervisor level menu option from the External applications menu.
 - Then select the WiFi / LAN menu option.
 - Select Set up.
 - Select the Via WPS connection method.
 - Now press the WPS button on your router and confirm with OK in the machine display.
- A timer starts. The network connection via WPS is being established.
The machine is now successfully connected.
- Tap OK to confirm.

Establishing the network connection via soft AP

- Select the Supervisor level menu option from the External applications menu.
- Then select the WiFi / LAN menu option.
- Select Set up.
- Select the Via Soft AP connection method.
- Confirm by pressing OK and follow the instructions in the external application.

Establishing the network connection using a LAN cable

- Connect the machine to your router/switch using the network cable. The router/switch must be connected to the Internet.
- The machine is now successfully connected.

Technical data

System requirements for WiFi

- WiFi 802.11b/g/n
- 2.4 GHz band
- WPA/WPA2 encryption
- DHCP activated
- MulticastDNS/Bonjour/IGMP snooping activated
- Ports 443, 80, 53, and 5353 open
- IP DNS server = IP standard gateway/router
- Mesh/repeater use: same SSID and password as standard gateway/router
- SSID must be permanently visible



System requirements for LAN

- DHCP activated
- MulticastDNS/Bonjour/IGMP snooping activated
- Ports 443, 80, 53, and 5353 open
- IP DNS server = IP standard gateway/router


WiFi signal strength – Guide values

The WiFi signal strength is only a rough guide. These details do not provide absolute certainty.

The WiFi signal strength can be read via the MDU or directly on the machine.

WiFi signal strength		Meaning
MDU	 *	
76–100%	3/3**	Reliable operation possible
51–75%	2/3	
26–50%	1/3	Operation possible
1–25%	0/3	Reliable operation not possible
0%		Operation not possible

* Displayed on the machine

** Number of bars  3/3–0/3

The signal strength can be disturbed by many influences:

- people in the room
- open or closed doors
- moved objects
- varying radio signal sources or interference
- other machines with Bluetooth or WiFi wireless technology

Technical data

PWM 509/511 machine data

Electrical connection

Connection voltage	See data plate
Frequency	See data plate
Power rating	See data plate
Current	See data plate
Fuse rating	See data plate
Heater rating	See data plate

PWM 509 installation dimensions

Casing width (without add-on components)	27 1/4" (692 mm)
Casing height (without add-on components)	39 13/16" (1012 mm)
Casing depth (without add-on components)	28 1/4" (718 mm)
Overall machine width	27 9/16" (700 mm)
Overall machine height	27 9/16" (700 mm)
Overall machine depth	28 3/4" (730 mm)
Minimum width of transport opening	31 1/2" (800 mm)
Minimum distance between wall and rear of machine	15 3/4" (400 mm)
Door opening diameter	14 9/16" (370 mm)
Door opening angle	180°

PWM 511 installation dimensions

Casing width (without add-on components)	27 1/4" (692 mm)
Casing height (without add-on components)	39 13/16" (1012 mm)
Casing depth (without add-on components)	32 3/16" (818 mm)
Overall machine width	27 9/16" (700 mm)
Overall machine height	40 3/16" (1020 mm)
Overall machine depth	31 1/2" (800 mm)
Minimum width of transport opening	33 1/4" (845 mm)
Minimum distance between wall and rear of machine	15 3/4" (400 mm)
Door opening diameter	15 3/4" (400 mm)
Door opening angle	180°

Weight and floor load

Net weight	see installation plan
Maximum floor load during operation	see installation plan

Emission values

Emission sound pressure level in accordance with EN ISO 11204/11203	< 70 dB(A) re 20 µPa
Sound power level, EN ISO 9614-2	< 80 dB(A)

WiFi

Frequency range of the WiFi module	2.400–2.4835 GHz
Maximum transmission power of the WiFi module	< 100 mW

Product safety

Product safety standards

See data plate

EU declaration of conformity

Miele hereby declares that this washing machine complies with Directive 2014/53/EU. The complete text of the EU declaration of conformity is available from one of the following Internet addresses:

- Under “Products”, “Download” at www.miele.de/professional/index.htm
- Or go to <http://www.miele.de/professional/gebrauchsanweisungen-177.htm> and enter the name of the product or the serial number

Data protection and data security

When you activate the networking function and connect your machine to the Internet, your machine sends the following data to the Miele Cloud:

- machine serial number
- machine model and technical features
- machine status
- information about the software status of your machine

Initially, this data cannot be assigned to a specific user and is not saved permanently. Data cannot be saved permanently or assigned to a specific user until after you have linked your machine to a user. Data transmission and processing are governed by Miele's strict security standards.

Factory default settings for network configuration

You can reset all of the settings on the communication module or your integrated WiFi module to the factory default settings. The network configuration should be reset whenever a machine is being disposed of or sold, or if a used machine is being put into operation. This is the only way to ensure that all personal data has been removed and the previous owner will no longer be able to access the machine.

Copyrights and licenses

For the purpose of operating and controlling the communication module, Miele uses proprietary or third-party software that is not covered by open source licensing terms. This software/these software components are protected by copyright. The copyrights held by Miele and third parties must be respected.

This communication module contains software components which are distributed under open source licensing terms. The open source components contained in the machine along with the corresponding copyright notices, copies of the licensing terms valid at the time, and any additional information can be accessed locally by IP via a web browser (<https://<IP address>/Licenses>). The liability and warranty arrangements for the open source licenses displayed in this location only apply in relation to the respective rights holders.

ANY CHANGES OR MODIFICATIONS NOT EXPRESSLY APPROVED BY THE PARTY RESPONSIBLE FOR COMPLIANCE COULD VOID THE USER'S AUTHORITY TO OPERATE THE EQUIPMENT.

THIS DEVICE COMPLIES WITH PART 15 OF THE FCC RULES AND CONTAINS LICENSE-EXEMPT TRANSMITTER(S)/RECEIVER(S) THAT COMPLY WITH INNOVATION, SCIENCE AND ECONOMIC DEVELOPMENT CANADA'S LICENCE-EXEMPT RSS STANDARD(S). OPERATION IS SUBJECT TO THE FOLLOWING TWO CONDITIONS: (1) THIS DEVICE MAY NOT CAUSE HARMFUL INTERFERENCE, AND (2) THIS DEVICE MUST ACCEPT ANY INTERFERENCE RECEIVED, INCLUDING INTERFERENCE THAT MAY CAUSE UNDESIRED OPERATION.

Contains FCC ID: 2ACUWEK047

Contains IC: 5669C-EK047

RADIATION EXPOSURE STATEMENT: THIS EQUIPMENT COMPLIES WITH FCC AND WITH ISED RADIATION EXPOSURE LIMITS SET FORTH FOR AN UNCONTROLLED ENVIRONMENT. THIS EQUIPMENT SHOULD BE INSTALLED AND OPERATED WITH A MINIMUM DISTANCE OF 20CM BETWEEN THE RADIATOR AND YOUR BODY. THIS DEVICE AND ITS ANTENNA(S) MUST NOT BE CO-LOCATED OR OPERATION IN CONJUNCTION WITH ANY OTHER ANTENNA OR TRANSMITTER.



Please have the model and serial number
of your machine available when
contacting Technical Service.

U.S.A.

Miele, Inc.

National Headquarters

9 Independence Way
Princeton, NJ 08540
Phone: 800-991-9380
www.mieleusa.com/professional
prosales@mieleusa.com

Technical Service & Support

Phone: 800-991-9380
proservice@mieleusa.com

Canada

Importer
Miele Limited

Professional Division

161 Four Valley Drive
Vaughan, ON L4K 4V8
Phone: 1-888-325-3957
www.mieleprofessional.ca
professional@miele.ca

Miele Professional Technical Service

Phone: 1-888-325-3957
serviceprofessional@miele.ca



Manufacturer: Miele & Cie. KG
Carl-Miele-Straße 29, 33332 Gütersloh, Germany