





Operating and installation instructions Wine conditioning unit



To avoid the risk of accidents or damage to the appliance it is **essential** to read these instructions before it is installed and used for the first time.

Contents

Warning and Safety instructions	5
Caring for the environment	12
Saving energy	13
Appliance description	14
Control panel	14
Symbols	15
* The SommelierSet consists of:	16
Accessories	17
Accessories supplied	17
Optional accessories	17
Switching on and off	18
Before using for the first time	18
Operating the wine conditioning unit	18
Switching the wine conditioning unit on	18
Switching the wine unit off	18
Switching off for longer periods of time	19
Selecting further settings	20
Safety lock 	20
Audible tones 	21
Display brightness 	22
The optimum temperature and air quality	23
Perfectly storing wine	23
The correct temperature	23
Recommended drinking temperatures	23
Setting the temperature	24
Temperature range	25
Temperature display	25
Air quality and humidity	26
Using DynaCool  (constant humidity)	26
Air filtration with the Active AirClean filter	27
Temperature and door alarm	28
Feature lighting	30
Switching the feature lighting on and off	30
Setting the brightness of the feature lighting	30
Lighting duration of the feature lighting	31

Storing wine bottles	32
Wooden shelves	32
Moving the wooden shelves	32
Adjusting the wooden shelves	34
Annotating wooden shelves	34
Setting up the PresenterFrame	35
Maximum capacity	35
SommelierSet	39
Setting up the SommelierSet	39
Fitting the runner covers	39
Inserting the glass holder	40
Inserting the bottle holder	40
Automatic defrosting	41
Cleaning and care	42
Cleaning agents	42
Preparing the wine unit for cleaning	43
Interior, accessories and appliance door	43
Cleaning the ventilation gaps	43
Cleaning the door seal	43
After cleaning	43
Active AirClean filters	44
Replacing the Active AirClean filters	44
Problem solving guide	46
Noises	51
Service	52
Contact in the event of a fault	52
EPREL database	52
Warranty	52
Installation	53
Installation site	53
Load-bearing capacity of the niche floor	54
Climate range	54
Side-by-side	54
Ventilation	55
Furniture door panel	56
Horizontal and vertical gaps	56
Weight of the furniture door	57
Installation dimensions	57
Furniture door dimensions	58

Contents

Changing the door hinging	58
Before installing the wine conditioning unit	62
Installing the wine conditioning unit.....	63
Setting up the wine unit.....	64
Electrical connection	75
Information for dealers	76
Demo mode ■	76

Warning and Safety instructions

This wine conditioning unit complies with all current local and national safety requirements. Inappropriate use can, however, lead to personal injury and material damage.

Read the operating and installation instructions carefully before using the wine conditioning unit. They contain important information on safety, installation, use and maintenance. This is to protect yourself from injury, and from damaging your wine conditioning unit.

In accordance with standard IEC 60335-1, Miele expressly and strongly advises that you read and follow the instructions in the chapter on installing the wine conditioning unit as well as the safety instructions and warnings.

Miele cannot be held liable for injury or damage caused by non-compliance with these instructions.

Keep these instructions in a safe place and pass them on to any future owner.

 Risk of injury from broken glass.

If installed at altitudes above 1500 m there is a risk of the glass in the appliance door breaking because of changes in air pressure. Shards of glass can cause severe injury.

Correct application

- ▶ This wine conditioning unit is intended for use in the home and in similar environments, for example
 - in shops, offices and similar work settings
 - on agricultural estates
 - by the guests in hotels, motels, bed & breakfasts and other typical home settings.

This wine conditioning unit is not intended for outdoor use.

- ▶ The wine conditioning unit is intended for domestic use only for storing wine.

It must not be used for any other purpose.

Warning and Safety instructions

▶ The wine conditioning unit is not suitable for storing and keeping cool medicines, blood plasma, laboratory preparations or other such materials or products. Incorrect use of the wine conditioning unit for such purposes can cause deterioration of the items stored. The wine conditioning unit is not suitable for use in areas where there is a risk of explosion.

Miele cannot be held liable for damage resulting from improper or incorrect use of the appliance.

▶ This wine conditioning unit may only be used by people (including children) with reduced physical, sensory or mental capabilities or lack of experience and knowledge if they are supervised whilst using it.

The wine conditioning unit may only be used by these people without supervision if they have been shown how to use it in a safe way and recognise and understand the consequences of incorrect operation.

Safety with children

▶ Children under 8 years of age must be kept away from the wine conditioning unit unless they are constantly supervised.

▶ Children aged 8 and older may only use the wine conditioning unit without supervision if they have been shown how to use it in a safe manner. Children must be able to understand and recognise the possible dangers caused by incorrect operation.

▶ Children must not be allowed to clean or maintain the wine conditioning unit unsupervised.

▶ Please supervise children in the vicinity of the wine conditioning unit and do not let them play with it.

▶ Danger of suffocation! Whilst playing, children could become entangled in packaging (such as plastic wrapping) or pull it over their head and suffocate. Keep packaging material away from children.

Technical safety

► The refrigerant circuit has been checked for leaks. The wine conditioning unit complies with statutory safety requirements and the appropriate EU directives.



► This wine unit contains the refrigerant Isobutane (R600a), a natural gas which is environmentally friendly. The refrigerant does not damage the ozone layer and does not contribute to the greenhouse effect.

The use of this refrigerant has, however, led to a slight increase in the noise level of the appliance. In addition to the noise of the compressor, you might be able to hear the refrigerant flowing around the cooling circuit. Unfortunately, this cannot be avoided, but it does not affect the performance of the wine unit.

When transporting and installing the wine unit, ensure that no parts of the cooling circuit are damaged. Splashes of refrigerant can damage the eyes.

In the event of damage:

- Avoid naked flames or anything which creates a spark.
- Disconnect the wine unit from the mains electricity supply.
- Ventilate the room where the wine unit is located for several minutes.
- Contact the Miele Customer Service Department.

► The more refrigerant there is in a wine unit, the larger the room it should be installed in. In the event of a leakage, if the appliance is in a small room, there is the danger of a combustible gas/air mixture building up. For every 8 g of refrigerant at least 1 m³ of room space is required. The amount of refrigerant in the wine unit is stated on the data plate inside the appliance.

► To avoid the risk of damage to the wine conditioning unit, make sure that the connection data (fuse rating, frequency and voltage) on the data plate corresponds to the household supply.

Check that this is the case before connecting the wine conditioning unit. Consult a qualified electrician if in any doubt.

Warning and Safety instructions

▶ The electrical safety of this wine unit can only be guaranteed when continuity is complete between it and an effective earthing system. It is essential that this basic safety feature is present.

If in doubt, the electrical installation should be checked by a qualified electrician.

▶ Temporary or permanent operation on an autonomous power supply system or a power supply system that is not synchronised with the mains power supply (e.g. island networks, back-up systems) is possible. A prerequisite for operation is that the power supply system complies with the specifications of EN 50160 or an equivalent standard.

The function and operation of the protective measures provided in the domestic electrical installation and in this Miele product must also be maintained in isolated operation or in operation that is not synchronised with the mains power supply, or these measures must be replaced by equivalent measures in the installation. As described, for example, in the current version of BS OHSAS 18001–2 ISO 45001.

▶ If the electrical connection cable is faulty it must only be replaced by a Miele authorised service technician to protect the user from danger.

▶ Do not connect the wine conditioning unit to the mains electrical supply by a multi-socket adapter or extension lead. These are a fire hazard and do not guarantee the required safety of the appliance.

▶ If moisture gets into electrical components, it could cause a short circuit. Therefore, do not operate this wine conditioning unit in areas which are exposed to moisture (e.g. in a garage or utility room).

▶ This wine conditioning unit must not be used in a non-stationary location (e.g. on a ship).

▶ Do not use a damaged wine conditioning unit. It could be dangerous. Check the wine conditioning unit for visible signs of damage.

▶ For safety reasons, this wine conditioning unit may only be used after it has been built in.

▶ The wine conditioning unit must be isolated from the electricity supply during installation, maintenance and repair work.

▶ Unauthorised installation, maintenance and repairs can cause considerable danger for the user.

Installation, maintenance and repairs must only be carried out by a Miele authorised technician.

Warning and Safety instructions

- ▶ While the wine conditioning unit is under warranty, repairs should only be undertaken by a Miele authorised service technician. Otherwise the warranty is invalidated.
- ▶ Faulty components must only be replaced with genuine Miele original spare parts. Miele can only guarantee the safety standards of the appliance when Miele replacement parts are used.
- ▶ This wine unit is supplied with a special lamp to cope with particular conditions (e.g. temperature, moisture, chemical resistance, abrasion resistance and vibration). This lamp must only be used for the purpose for which it is intended. The lamp is not suitable for room lighting. Replacement lamps may only be fitted by a Miele authorised technician or by the Miele Customer Service Department. This wine unit contains several light sources with at least energy efficiency class E.

Correct use

- ▶ This wine unit is designed for use within specific ambient temperatures (climate range). Do not use in ambient temperatures for which it is not designed. The climate range is stated on the data plate inside the wine unit. A lower ambient temperature will cause the compressor to switch off for longer periods, meaning that the wine unit is unable to maintain the required temperature in some circumstances.
- ▶ Do not cover or block the air vents as this could impair the efficiency of the appliance, increase the electricity consumption and could cause damage to the components.
- ▶ If the wine unit is used for storing food which contains fat or oil, make sure that it does not come into contact with plastic components. Any spillages of oil or fat could cause stress cracks to the plastic and cause it to break or split.
- ▶ Risk of fire and explosion. Do not store explosive materials in the wine conditioning unit or any products containing propellants (e.g. spray cans). Electrical components can cause flammable mixes of gases to ignite.
- ▶ Danger of explosion. Do not operate any electrical appliances inside the wine conditioning unit. Danger of sparking and explosion.

Accessories and spare parts

- ▶ Only use original Miele accessories. If other parts are used, warranty, performance and product liability claims will be invalidated.

Warning and Safety instructions

▶ Miele will guarantee to supply functional spare parts for a minimum of 10 years and up to 15 years following the discontinuation of your wine unit.

Cleaning and care

▶ Do not use any oils or grease on the door seals, as these will cause the seals to deteriorate and become porous with time.

▶ Do not use a steam cleaning appliance to clean this wine conditioning unit.

The steam could reach electrical components and cause a short circuit.

▶ Sharp edged or pointed objects will damage the evaporator, causing irreversible damage to the wine conditioning unit. Do not use sharp edged or pointed objects to

- remove frost and ice,
- remove labels, stickers etc.

Transporting the appliance

▶ Always transport the wine conditioning unit in an upright position and in its original transport packaging to avoid damage in transit.

▶ Risk of injury and damage. The wine unit is very heavy and must be transported by two people.

Disposing of your old appliance

▶ Children playing could become trapped in the wine unit and could suffocate.

- Remove the appliance door.
- Leave the wooden/metal shelves in the wine unit so children cannot climb inside.
- If the wine unit has a door lock, make sure that children cannot lock themselves inside while playing as this could endanger their lives.

▶ Risk of electric shock!

- Cut the plug off the mains connection cable.
- Cut the mains connection cable off the old appliance.

▶ Dispose of the plug and mains connection cable separately from the old appliance.

Warning and Safety instructions

▶ During and after disposal, make sure that the wine unit is not placed near petrol or other flammable gases and liquids.

▶ Risk of fire due to escaping oil or refrigerant!

The refrigerant and oil inside the appliance are flammable. In high enough concentrations, escaping refrigerant or oil may ignite if they come into contact with an external heat source.

During disposal, make sure that the cooling circuit is not damaged in order to prevent refrigerant and oil escaping in an uncontrolled manner (see the data plate for details of the refrigerant).

▶ Splashes of coolant can damage the eyes. Be careful not to damage any part of the pipework whilst awaiting disposal, e.g. by

- puncturing the coolant channels in the condenser,
- bending any pipework, or
- scratching the surface coating.

Symbol on the compressor (depending on model)

This information is only relevant for recycling. There is no risk during normal operation.



▶ The oil in the compressor can be fatal if swallowed or if it penetrates the airways.

Caring for the environment

Disposing of the packaging material

The packaging material is used for handling and protects the appliance from transport damage. The packaging material used is selected from materials which are environmentally friendly for disposal and can generally be recycled.

Recycling the packaging material reduces the use of raw materials. Use material-specific collection points for valuable materials and take advantage of return options. Your Miele dealer will take the packaging material away.

Disposing of your old appliance

Electrical and electronic appliances contain many valuable materials. They also contain certain materials, compounds and components which were essential for their correct functioning and safety. These could be hazardous to human health and to the environment if disposed of with household waste or if handled incorrectly. Please do not, therefore, dispose of your old appliance with household waste.



Take care not to damage your refrigeration appliance before or during disposal in an authorised, environmentally friendly manner.

This is to ensure that refrigerant in the cooling circuit and oil in the compressor is contained, and will not leak into the environment.

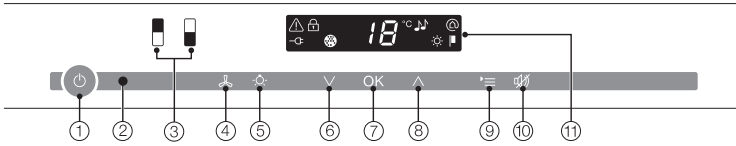
Instead, please make use of officially designated collection and disposal points to dispose of and recycle electrical and electronic appliances in your local community, with your dealer or with Miele, free of charge. By law, you are solely responsible for deleting any personal data from the old appliance prior to disposal. You are legally obliged to remove any old batteries which are not securely enclosed by the appliance and to remove any lamps without destroying them, where this is possible. These must be taken to a suitable collection point where they can be handed in free of charge. Please ensure that your old appliance poses no risk to children while being stored for disposal.

Saving energy

	Normal energy consumption	Increased energy consumption
Installation / Maintenance	In a ventilated room.	In an enclosed, unventilated room.
	Protected from direct sunlight.	In direct sunlight.
	Not near to a heat source (radiator, oven).	Near to a heat source (radiator, oven).
	Where the ideal ambient room temperature is approx. 20 °C.	Where the ambient room temperature is above 25 °C.
	Ventilation gaps uncovered and dusted regularly.	Ventilation gaps covered or dusty.
Temperature setting	10 to 12 °C	The lower the temperature, the higher the energy consumption.
Use	Wooden shelves arranged as they were when the appliance was delivered.	
	Only open the door when necessary and for as short a time as possible. Store wine bottles in an organised way.	Frequent opening of the door for long periods will cause a loss of coldness. The wine conditioning unit works harder to cool down and the compressor runs for longer periods.
	Do not over-fill the appliance to allow air to circulate.	Poor air circulation will cause a loss of coldness.







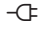

Appliance description

Control panel

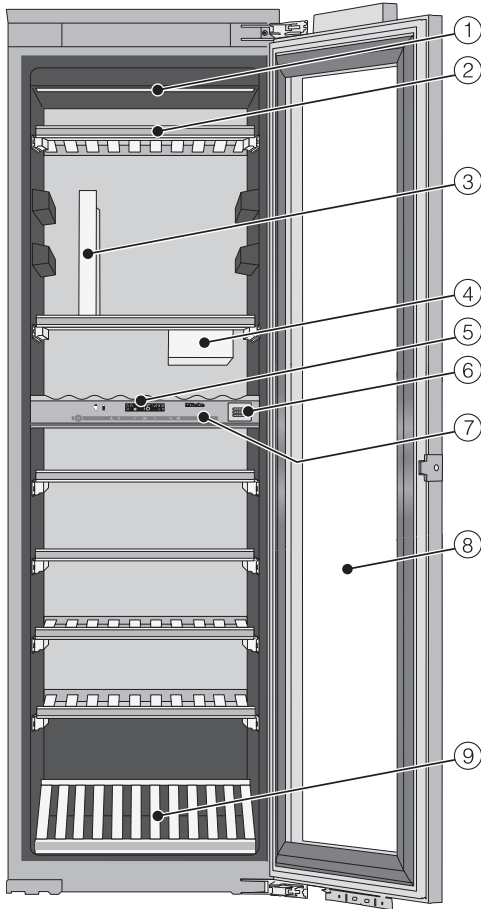


- ① For switching the whole wine conditioning unit on and off
- ② Optical interface (for Service technicians only)
- ③ For selecting the upper or lower wine conditioning zone
- ④ For switching the DynaCool function (constant humidity) on and off
- ⑤ For switching the feature lighting on and off
- ⑥ For setting the temperature (∇ for colder)
- ⑦ For confirming a selection (OK sensor)
- ⑧ For setting the temperature (^ for warmer)
- ⑨ For selecting and deselecting settings mode
- ⑩ For switching the temperature or door alarm off
- ⑪ Display with temperature and symbols (symbols only visible in settings mode; see chart for an explanation of the symbols)

Symbols

Symbol	Meaning	Function
	Lock function	To prevent inadvertent switching off and altering of settings
	Audible tones	Choice of keypad tone and door alarm tone
	Miele@home	Only visible when a communication module or communication stick is fitted and signed on
	Demo mode (only visible when Demo mode is switched on)	For switching off Demo mode
	Display brightness settings	For adjusting the brightness of the display
	Active AirClean filters	Lights up when the active charcoal filter needs changing
	Mains connection (only visible when the wine conditioning unit is switched off)	Confirms that the wine conditioning unit is connected to the electricity supply; flashes in the event of a power cut
	Alarm (only visible when the door or temperature alarm sounds)	Lights up when there is a door alarm; flashes when there is a temperature alarm, power cut or other fault

Appliance description



- ⑥ Charcoal filter (Active AirClean filter)
- ⑦ Isolation strips for thermal separation of the temperature zones
- ⑧ Safety glass door with UV filter
- ⑨ 3D bottle presenter

*** The SommelierSet consists of:**

A glass holder, a bottle holder and four covers for the runners.

- ① Lighting strip
(in both wine conditioning zones)
- ② Wooden shelves with labels
(FlexiFrames with Noteboard)
- ③ Glass holder*
- ④ Bottle holder* (ConvinoBox)
- ⑤ Control panel for the upper and lower wine conditioning zones/
isolation plate for thermal separation of the zones

Accessories supplied

Chalk

Use the chalk to annotate the magnetic strips on the wooden shelves to identify your wines quickly and easily.

Optional accessories

A range of useful Miele accessories and care products are available for your wine conditioning unit.

Multi-purpose microfibre cloth

The microfibre cloth is suitable for removing fingerprints and light soiling from surfaces such as stainless steel, glass, plastic and chrome without the use of chemicals.

MicroCloth Kit

The MicroCloth Kit contains a universal cloth, a glass cloth and a polishing cloth. These cloths are extremely resistant to tearing and very robust. Thanks to very fine microfibres these cloths achieve an excellent cleaning performance.

Active AirClean filter

The Active AirClean filter ensures optimum air quality in the wine conditioning unit by filtering the incoming air.

WiFi stick (Miele@home)

The WiFi stick enables your wine conditioning unit to communicate, so that you can access appliance data at any time.

Accessories are available to order via the Miele Webshop, from Miele directly (see back cover for contact details) or from your Miele dealer.

Switching on and off

Before using for the first time

Packaging material

- Remove all packaging material from the inside of the appliance.

Cleaning the wine unit

Please refer to the relevant instructions in “Cleaning and care”.


- Clean the inside of the appliance and the accessories.

Operating the wine conditioning unit

A light touch of the finger on the sensors is all that is required to operate this wine conditioning unit.


Every touch of a sensor is confirmed with an audible tone. This tone can be switched off (see “Selecting further settings” – “Audible tones 🎵”).

Switching the wine conditioning unit on

When the wine conditioning unit is connected to the electrical supply, the power connection symbol  will appear in the display after a short while.





- Touch the On/Off control.

The power connection symbol  will go out and the wine conditioning unit will start to cool.

The selected wine conditioning zone will be highlighted yellow and the temperature of the selected zone will show in the display.

The first time the appliance is turned on, the sensors for the wine conditioning

zones and the alarm symbol  will flash until the selected temperature has been reached in the zones.

As soon as the set temperature has been reached, the sensor for the respective wine conditioning zone will light up constantly and the alarm symbol  will go out.

The interior lighting will come on when the door is opened.

Selecting settings

A different setting can be set for each wine conditioning zone.

- Touch the sensor for the wine conditioning zone you want to adjust the settings for.

The sensor that has been selected is highlighted in yellow. Now you can


- Set the temperature, and
- Switch on the DynaCool function.

Tip: Please refer to the relevant sections for more information.


If you then select a different wine conditioning zone, the settings for the previously selected zone will remain unchanged.

Switching the wine unit off



- Touch the On/Off control.
If this does not work, the safety lock  is activated.

The sensor controls for the 2 wine conditioning zones will go out in the control field.

The temperature shown on the display will go out and the power connection symbol  appears.

The interior lighting goes out and cooling is turned off.

Switching off for longer periods of time

If, during a long absence, the wine unit is switched off but not cleaned and the door left shut, there is a danger of mould building up inside the appliance.

The wine unit must be cleaned.

If the wine unit is not going to be used for a longer period of time, observe the following:

- Switch the wine unit off.
- Switch off at the wall and disconnect the plug from the socket, or disconnect the fuse.
- Clean the wine unit and leave the door ajar to air the wine unit and avoid odours building up inside it.

Selecting further settings

Certain settings on the wine conditioning unit can only be selected in settings mode.

The door alarm is automatically disabled when the appliance is in settings mode.

Safety lock


The safety lock can be activated to prevent:

- the appliance being switched off by mistake,
- the temperature being changed by mistake,
- DynaCool being switched on by mistake,
- the feature lighting being switched on by mistake.

Activating or deactivating the safety lock




- Touch the settings sensor.

All symbols available for selection will appear in the display and the  symbol flashes.



- Touch the OK sensor to confirm your selection.


The last selected setting flashes and the  symbol lights up in the display.



- By touching the \wedge or \vee sensor, you can now select whether the safety lock is activated or deactivated:
 O : the safety lock is deactivated
 I : the safety lock is activated




- Touch the OK sensor to confirm your selection.

The selected setting is applied, the  symbol flashes.



- Touch the settings sensor to leave settings mode.
Otherwise the appliance exits settings mode automatically after approximately one minute.

The  symbol will appear in the display when the lock is activated.

Selecting further settings

Audible tones 🎵

The wine conditioning unit has audible tones such as the keypad tone and the door and temperature alarms.

You can switch the keypad tone or the door alarm tone on or off but you cannot deactivate the temperature alarm.

There are four settings to choose from. Option 3 is set the factory, i.e. the keypad tone and the door alarm are switched on.

Switching audible signals on/off



- Touch the settings sensor.

All symbols available for selection appear in the display and the 🔒 symbol flashes.



- Touch the sensors for setting the temperature (^ or v) repeatedly until the 🎵 symbol flashes.



- Touch the OK sensor to confirm the selection.

The most recently selected setting flashes and the 🎵 symbol lights up in the display.



- Touch the ^ or v sensor now to select:
 - 0: keypad tone off; door alarm off
 - 1: keypad tone off; door alarm on (after 4 minutes)
 - 2: keypad tone off; door alarm on (after 2 minutes)
 - 3: keypad tone on; door alarm on (after 2 minutes).



- Touch the OK sensor to confirm the selection.

The selected setting is applied, the 🎵 symbol flashes.



- Touch the settings sensor to exit settings mode. Otherwise, the appliance electronics will exit the settings mode automatically after approximately one minute.

Selecting further settings

Display brightness ☀


The display brightness can be adjusted to suit lighting conditions in the room.

The display brightness can be adjusted in steps from 1 to 3. The factory default setting is 3 (maximum brightness).

Altering the display brightness



- Touch the settings sensor.

All symbols available for selection will appear in the display and the  symbol flashes.



- Touch the sensors for setting the temperature (\wedge or \vee) repeatedly until the ☀ symbol flashes.



- Touch the OK sensor to confirm your selection.

The last selected setting flashes and the ☀ symbol lights up in the display.



- By touching the \wedge or \vee sensor you can now alter the brightness of the display:

1: dimmest setting

2: medium setting

3: brightest setting.



- Touch the OK sensor to confirm your selection.

The selected setting is applied, the ☀ symbol flashes.



- Touch the settings sensor to leave settings mode. Otherwise the appliance exits settings mode automatically after approximately one minute.

The optimum temperature and air quality

Perfectly storing wine

Wine keeps on maturing depending on the surrounding conditions. The length of time for which wine can be kept in good condition will therefore depend not only on the temperature but also on the air quality.

The wine unit with its constant and wine-specific temperature, optimum humidity level and odour-free atmosphere offers the perfect conditions for storing your wine.

The wine unit also guarantees (as opposed to a refrigerator) an environment without vibrations so that the maturing process of the wine is not disturbed.

The correct temperature

Wine can ideally be stored at a temperature between 6 and 18 °C. If red and white wines are being stored together, select a temperature between 12 and 14 °C. This temperature is suitable for both white and red wines. Red wine should be taken out and opened at least 2 hours before drinking so that the wine is exposed to oxygen and can develop its aroma.

If the storage temperature is too high (above 22 °C), wine matures too quickly, which means aromas are not able to continue to develop. On the other hand, if the storage temperature is too low (below 5 °C), the wine is unable to mature properly.

Heat causes wine to expand and cold causes it to contract. Temperature fluctuations mean stress for wine and interrupt the maturity process. It is therefore very important to ensure minimal fluctuation of temperature.

The temperature depends on the following factors:

- How often and for how long the appliance door is opened
- How many wine bottles are being stored
- How warm the stored wine bottles are
- How high or low the ambient temperature of the wine unit is

Recommended drinking temperatures

Type of wine	Recommended drinking temperature*
Light, fruity reds:	14 °C to 16 °C
Full-bodied reds:	18 °C
Rosé wines:	8 °C to 10 °C
Delicate, aromatic whites:	8 °C to 12 °C
Full-bodied or sweet whites:	12 °C to 14 °C
Sparkling white wines, Prosecco:	7 °C to 9 °C
Champagne:	5 °C to 7 °C

* Store the wine 1 or 2 °C cooler than the recommended drinking temperature as it warms up a little when poured into the glass.

Tip: Full-bodied reds should be opened 2–3 hours before drinking to allow the wine to breathe and develop its aroma.

The optimum temperature and air quality

Safety feature for low ambient temperatures

In order to protect the wine from low ambient temperatures, a safety thermostat ensures that the temperature in the wine unit cannot decrease too drastically. If the ambient temperature falls briefly, a heater in the wine unit switches on automatically and maintains a constant internal temperature. If the ambient temperature continues to remain low, the wine unit will eventually switch itself off.

Isolator plate for thermal separation

The unit comes with a fixed isolation panel that partitions the interior of the wine conditioning unit into two separate temperature zones. This enables you to store different types of wine at the same time, e.g., red wine and Champagne. The isolation strips inside the glass door prevent the exchange of heat between the individual zones.

Setting the temperature

The temperatures in the wine conditioning zones can be set independently of one another.

- Touch the sensor for the zone for which you wish to change the temperature, so that it is highlighted in yellow.

The current temperature for the selected zone appears in the display.

- Use the two sensors underneath the display to set the temperature.

By touching the sensor



- The temperature decreases



- The temperature increases



- Touch the OK sensor to confirm your selection

or

- Wait approximately 5 seconds after the last touch of a sensor

The temperature being set will flash in the display.

The following information shows in the display while the sensors are being touched:

- Touching a sensor once:
The **last temperature selected** flashes.

The optimum temperature and air quality

- Each subsequent touch of the sensor: Adjusts the temperature shown in 1 °C increments.
- Leaving a finger on the sensor: Changes the temperature continuously.
A negative tone will sound (if the keypad tone is switched on) when the lowest or highest possible temperature is reached.

Approximately 5 seconds after the last time a sensor has been touched, the **actual** temperature inside the wine conditioning zone is automatically shown.

When the temperature is altered, there is a short delay until the temperature selected is set.

The temperature display on the control panel always shows the **actual** temperature.

Temperature range

In both zones it is possible to set temperatures between 5 and 20 °C.

A room temperature above 32 °C may cause the temperature in the lower section of the wine unit to increase slightly so that the temperature is approx. 2 °C above the temperature set for this section.

Wines which may not be stored under these slightly raised temperature conditions should preferably **not** be placed on the PresenterFrame, but instead should be placed on one of the wooden shelves above it.

Temperature display

In normal operation the temperature display shows the actual temperature in the zone.


If the temperature in one of the zones is not within the range that the appliance is able to display, dashes will light up in the temperature display.

Depending on the ambient temperature and the temperature setting, it can take the appliance a few hours to reach the temperature required and for this temperature to then be shown as a constant temperature in the display.

The optimum temperature and air quality

Air quality and humidity

In most refrigerators the humidity is too low for wine and therefore a refrigerator is not suitable for wine storage. High humidity levels are necessary when storing wine to moisten corks from the outside. When the humidity is too low the corks dry out and the bottle is no longer tightly sealed. For this reason wine bottles should always be stored horizontally to ensure that corks are also kept moist from the inside. If air gets into the bottle, this will have a negative impact on the wine!

 Danger of damage from excess amounts of moisture

An increase in humidity will lead to condensation on the interior walls. Condensate can cause damage such as corrosion to the wine unit.

Do **not** introduce additional moisture to air in the cabinet, e.g. by placing a dish of water in the wine unit.

Using DynaCool (constant humidity)

DynaCool raises the relative humidity inside the whole of the wine conditioning unit. It also distributes the humidity and the temperature evenly around the interior so that you can store all your wine under the same excellent conditions.

This will create a stable climate in the unit which imitates that of a wine cellar.

Switching on DynaCool

If you would like to use the wine conditioning unit to store wine over the long term, we recommend that you keep the DynaCool function switched on.



- Touch the sensor to switch the DynaCool function on/off. The sensor will be highlighted in yellow.

Even if DynaCool has not been switched on, the fans in the wine conditioning unit will come on automatically as soon as the cooling system switches on. This ensures the optimum climate for your wine is maintained.

The fans automatically switch off when the door is open.

The optimum temperature and air quality

Switching off DynaCool

The wine conditioning unit uses slightly more energy and is a little noisier when the DynaCool function is switched on. You can switch it off now and then if you wish.



- Touch the sensor for switching the DynaCool function on and off so that it is no longer highlighted in yellow.

Air filtration with the Active AirClean filter

The Active AirClean filter achieves optimum air quality by filtering the incoming air.

Fresh air from the room enters the appliance via the Active AirClean filter.

The fans (DynaCool function) then distribute the air evenly throughout the cabinet.

Filtering the incoming air through the Active AirClean filter ensures that all the air entering the appliance is fresh and free from dust and odours.


This also ensures your wine does not absorb any unwanted odours through the corks.

Replace the Active AirClean filter regularly. The 🌐 symbol will appear in the display to remind you (see “Active AirClean filter”).

Temperature and door alarm


This wine conditioning unit is equipped with an alarm system so that the temperature cannot rise or fall unnoticed, thus possibly damaging the wine.

Temperature alarm

If the temperature in one of the wine conditioning zones rises or falls by a certain amount, the sensor for that zone will flash in the control panel and at the same time the alarm symbol  will flash in the display. An audible alarm will also sound.

Audible and visual signals will be activated, for example,

- when the wine unit is switched on and the temperature in one of the temperature zones differs greatly from the set temperature,
- when too much warm ambient air enters the cabinet when bottles are being rearranged or taken out,
- when a large number of bottles are stored for the first time,
- in the event of a power cut,
- if there is a fault with the wine unit.

The alarm will stop and the alarm symbol  goes out as soon as the reason for the alarm has been resolved. The sensor for the relevant zone will light up constantly again.


Switching the temperature alarm off early

If the noise disturbs you, you can switch the alarm off if you wish.





- Touch the sensor for switching off the temperature alarm.

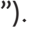
The alarm will stop.

The relevant wine conditioning zone will continue to flash in the control panel and the alarm symbol  will continue to flash in the display until the cause of the alarm has been rectified.

Door alarm

An alarm will sound if the appliance door has been left open for longer than approx. 2 minutes. The sensors for the wine conditioning zones will flash in the control panel. The alarm symbol  lights up in the display.

As soon as the door is closed, the alarm will stop. The sensors for the wine conditioning zones and the alarm symbol  will go out in the control panel.

If the audible signal does not sound in the event of a door alarm, then the audible signal has been switched off in settings mode (see “Selecting further settings – Audible signals ”).


Switching the door alarm off early

If the noise disturbs you, you can switch the alarm off if you wish.



- Touch the sensor for switching off the door alarm.

The alarm will stop.

The sensors for the wine conditioning zones will continue to flash and the alarm symbol  will remain lit up until you close the door.

Feature lighting

The interior lighting can be set to remain on when the door is closed so your wines can be on display at all times.

Each wine conditioning zone has its own light so that your wine unit is lit up to maximum effect.

Thanks to the use of LED lighting, the wine will not be adversely affected by heat or UV light.

Switching the feature lighting on and off



- Touch the On/Off sensor for the feature lighting so that it is highlighted in yellow.

The interior lighting is now switched on, even when the appliance door is closed.

To switch the feature lighting off again:

- Touch the On/Off sensor for the feature lighting so that it is no longer highlighted in yellow.

The interior lighting is now switched off when the appliance door is closed.

Setting the brightness of the feature lighting

The brightness of the feature lighting can be adjusted.



- Touch the On/Off sensor for the feature lighting so that it is highlighted in yellow.
- Touch the sensor for the feature lighting again for approximately four seconds until *l* flashes in the display (after two seconds *h* will flash).
- Use the sensors for altering the temperature to set the feature lighting brightness (∇ and \wedge). To do this, touch and hold the sensors. The brightness is adjusted directly and is infinitely variable. The results are not visible in the display.

By touching the sensor



- the lighting becomes dimmer



- the lighting becomes brighter.



- Touch the OK sensor to confirm your choice.

The set brightness is saved to memory. The temperature display then appears again.

As soon as the appliance door is closed, the set brightness for the feature lighting takes effect. When the appliance door is opened, the interior lighting returns to its normal level.

Lighting duration of the feature lighting

The lighting duration for the feature lighting is set to 30 minutes as standard.

The lighting duration can be set to 30, 60, 90 minutes up to 00 (unlimited). The feature lighting will have the brightness setting you have selected previously.

- Open the appliance door.



- Touch the On/Off sensor for the feature lighting so that it is highlighted in yellow.
- Touch the sensor for the feature lighting again for approx. two seconds until *h* flashes in the display.
- Use the √ and ∧ sensors for altering the temperature to set the feature lighting duration.
The duration (in minutes) will flash in the display.

By touching the sensor



- lighting duration is reduced by 30 minutes



- lighting duration is increased by 30 minutes.



- Touch the OK sensor to confirm your choice.

The selected lighting duration is saved and the temperature reappears in the display.

The lighting duration set starts anew whenever the appliance door is opened and closed.



Risk of injury from LED lighting.

This lighting corresponds to risk group RG 2. If the cover is defective, there is a risk of eye injury.

If the lighting cover is defective, do not look from a close range directly into the lighting with optical instruments (e.g. magnifying glass or similar).


Storing wine bottles

Vibration and movement have a negative effect on the maturing process, which can in turn affect the taste of the wine.

To avoid disturbing other bottles when removing a bottle of wine, store bottles of the same type beside each other on the same wooden shelf. Avoid stacking bottles on top of one another on the wooden shelves.


Always place the bottles in a horizontal position so that the natural corks can be kept moist on the inside and air is prevented from getting into the bottles.

Tip: We also recommend increasing the humidity level inside the wine conditioning unit for wine bottles with natural corks (see “The optimum temperature and air quality – Using DynaCool (constant humidity)”).

 Risk of injury from falling wine bottles.

Wine bottles may become wedged in the wooden shelves above and fall out of the wine unit when the shelves are pulled out.

Always pull out the wooden shelves slowly and carefully.

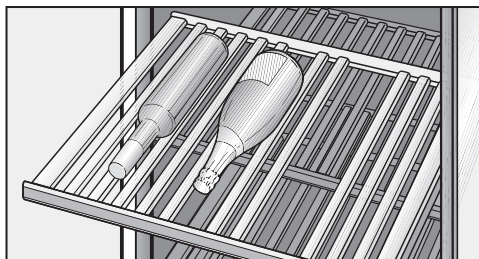
 Risk of damage and injury from broken glass.

If wooden shelves and bottles protrude too far forwards, they may damage the glass door when it is closed.

Please ensure that the wooden shelves and wine bottles do not protrude.

Do not cover the ventilation slots in the rear wall, as they are essential for keeping the appliance cool.

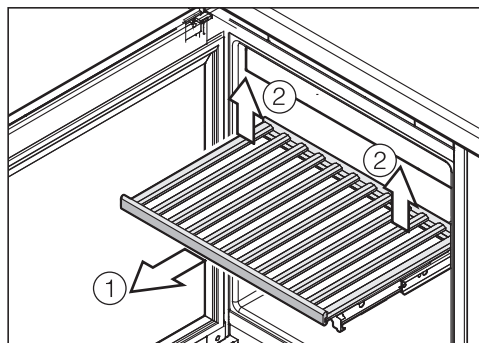
Wooden shelves



The wooden shelves are on telescopic runners which can be pulled out to make it easier to store and remove bottles.

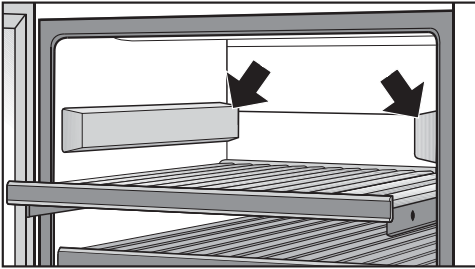
Moving the wooden shelves

The wooden shelves can be removed and replaced again if required.



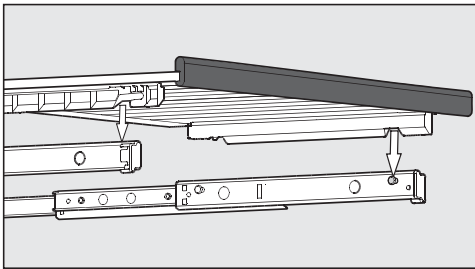
- Pull the wooden shelf out until it stops ①.
- Release the wooden shelf at the back, lifting the shelf on the left and right at the same time ②.
- Lift the wooden shelf forwards to remove it.

Storing wine bottles

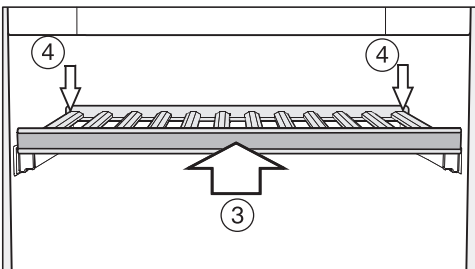


- Press down on the back of the wooden shelf until it clicks into place at the back ④.

- If you require more room, cover the runners at the top on both sides which are now not needed with the covers supplied. The thicker side of the cover should point forwards. The covers are held in position with magnets.



- To replace the wooden shelf, position it on the extended runners. The notches in the wooden shelf fit over the retaining pins. The magnetic strip should be pointing forwards.

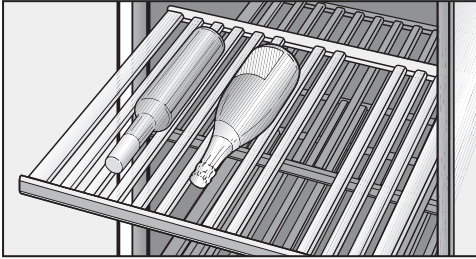


- Slide the wooden shelf back into the appliance as far as it will go ③.
- Push the wooden shelf right back so that it clicks into place at the front.

Storing wine bottles

Adjusting the wooden shelves

The slats in the wooden shelves can be individually adjusted to suit, so that every bottle is stored in perfect safety regardless of shape or size.

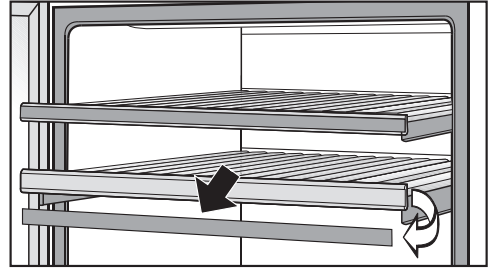


- Simply lift individual slats to move or remove them from the wooden shelves.


Annotating wooden shelves

For quick and easy identification of the wines stored, you can write on the blackboard-painted surface on the magnetic strips on the wooden shelves.

Use the chalk supplied. You can write directly on the magnetic strip or remove it from the wooden shelf. To do so:



- Hold the magnetic strip by the sides and pull it forwards. The magnetic strip is held on the wooden shelf by magnets.
- The magnetic strip can be wiped clean with a damp cloth.

 Risk of damage from unsuitable cleaning methods.

Cleaning the magnetic strips with a cleaning agent may damage the blackboard surface on them.

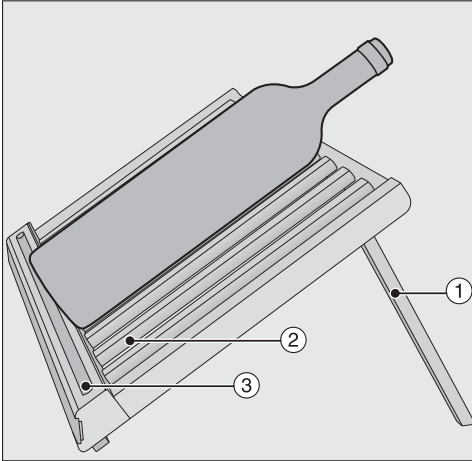
Use clean water only to wipe the magnetic strips.

- Annotate the magnetic strip with the chalk supplied and replace it on the front of the wooden shelf.

Storing wine bottles

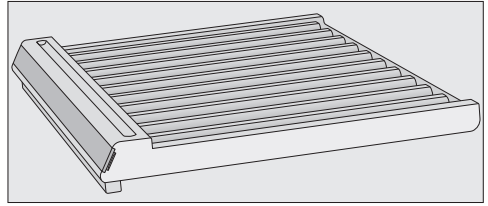
Setting up the PresenterFrame

Set up the PresenterFrame in the bottom of the wine unit:




- Fold out the rear struts ① of the PresenterFrame.
- Simply lift individual wooden slats ② on the shelf forwards to move or remove them from the wooden shelves. This will adapt the PresenterFrame perfectly to the size of the wine bottles.
- Carefully place the wine bottles on the PresenterFrame.

Tip: You can place your chalk in the shelf ③ on the PresenterFrame to prevent it from getting lost.



- If you do not wish to use the PresenterFrame for presentation purposes, simply fold down the rear struts.
- Place the PresenterFrame flat on the floor of the wine unit and push it back until it touches the rear wall of the appliance.
- **Important!** The PresenterFrame can only take bottles up to a **maximum bottle height of 270 mm** (e.g. Piccolo bottles) when laid flat in the wine unit.

 Risk of damage and injury.

If wooden shelves and bottles protrude too far forwards, they may damage the glass door when it is closed.

Please ensure that the wooden shelves and wine bottles do not protrude.

The PresenterFrame can only take bottles up to a **maximum bottle height of 270 mm** (e.g. Piccolo bottles) when laid flat in the wine unit. If you wish to stack taller bottles, please use one of the other shelves.

Maximum capacity

 Risk of damage.

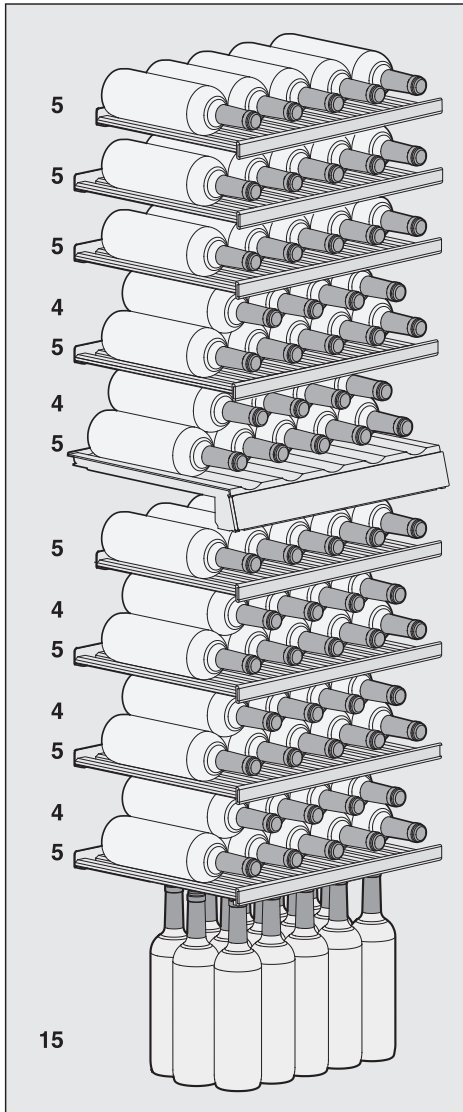
Do not exceed the maximum load-bearing capacity of 25 kg for each wooden shelf.

Do not stack bottles on the wooden shelves in more than two layers.

Storing wine bottles

Without SommelierSet - Without PresenterFrame

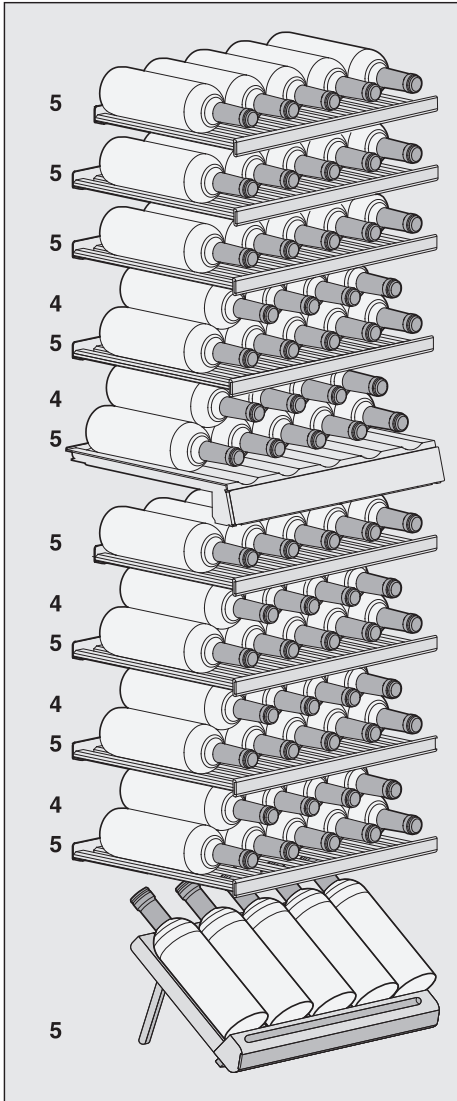
The maximum capacity of 80 bottles can only be reached if the Presenter-Frame is removed.



With the PresenterFrame removed, up to **80 Bordeaux-type bottles (0.75 l)** can be stored in the wine unit, with 33 in the upper zone and 47 bottles in the lower zone.

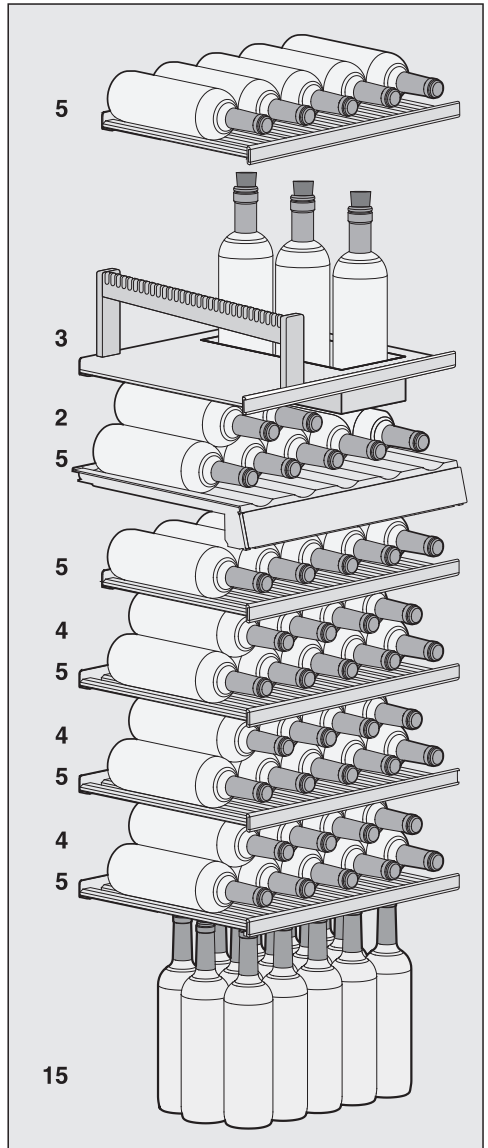
Storing wine bottles

- With PresenterFrame set up



With the PresenterFrame set up, up to **70 Bordeaux-type bottles (0.75 l)** can be stored in the wine unit, with 33 in the upper zone and 37 bottles in the lower zone.

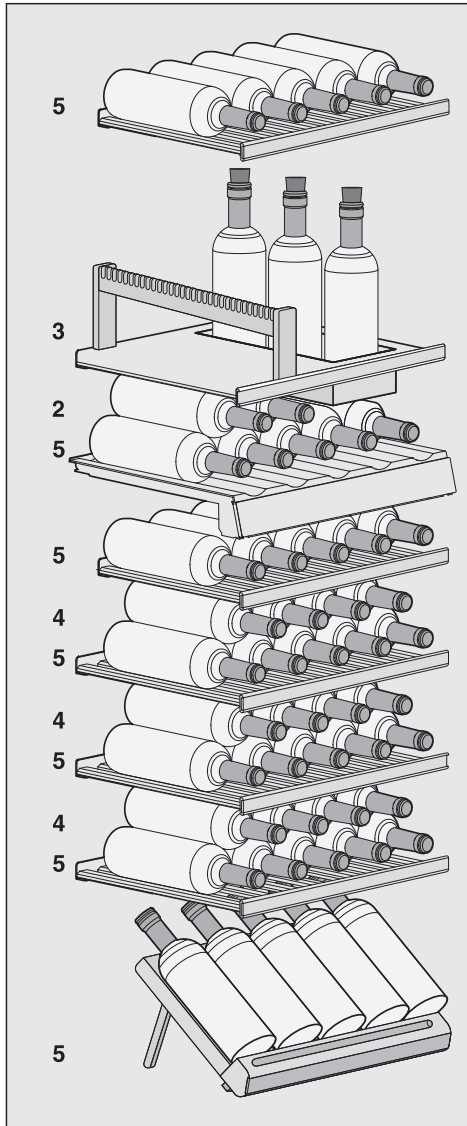
With SommelierSet - Without PresenterFrame



Up to **62 Bordeaux-type bottles (0.75 l)** can be stored in the wine unit, with 15 in the upper zone and 47 in the lower zone.

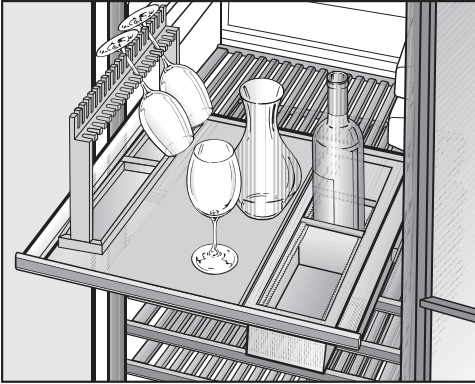
Storing wine bottles

- With
PresenterFrame set up



With the PresenterFrame set up, up to **52 Bordeaux-type bottles (0.75 l)** can be stored in the wine unit, with 15 in the upper zone and 37 bottles in the lower zone.

Setting up the SommelierSet

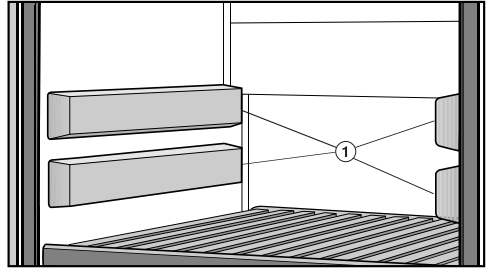


The SommelierSet can be used to have the wine in your wine unit ready for drinking. You can store wine glasses and accessories, decant your wine and store open bottles in the wine unit.

You can place the SommelierSet in the upper or lower wine conditioning zone. Simply remove the two wooden shelves at the top of these zones.

Fitting the runner covers

- Remove both wooden shelves above the SommelierSet by pulling them out as far as they will go and lifting them off the runners. To do this, hold them by the frame.

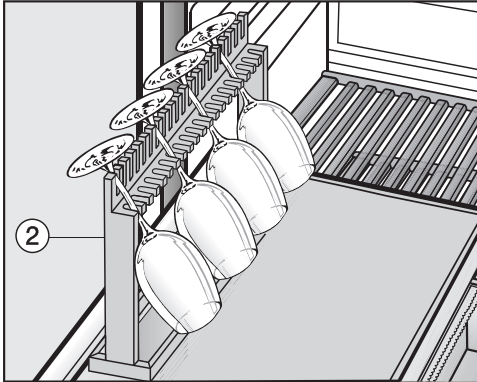


- Place the four covers supplied ① over the runners which are now visible. The thicker side of the cover should be pointing forwards.

SommelierSet

Inserting the glass holder

This can be used for storing and chilling wine glasses.

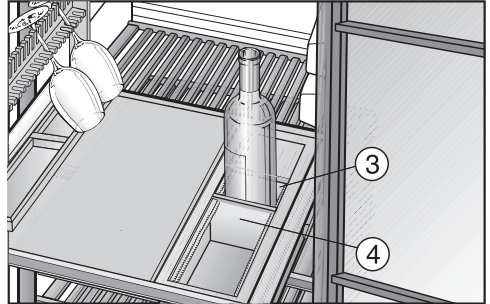


- To fit the glass holder ②, remove the necessary number of slats from the wooden shelf.
- Place the glass holder ② on the wooden shelf.

Tip: There are two compartments underneath the glassware rail for accessories such as corkscrews, knives and chalk.

Inserting the bottle holder

You can store opened wine bottles in bottle holder.



- Remove the necessary number of slats and place bottle holder ③ on the wooden shelf.
- Position dividers ④ in the bottle holder to suit the size of bottles being held. They should be held securely and not rattle against each other.

Tip: For wine which has been opened we recommend removing the oxygen from the bottle as otherwise the wine will lose its aroma and taste and spoil more quickly. Special devices (e.g. a wine pump with bottle stopper) create a vacuum by extracting the air.


Automatic defrosting

The wine unit defrosts automatically.

Cleaning and care

The data plate located inside the wine unit must not be removed. It contains information which is required in the event of a fault.

Do not let water get into the electronic unit or the lighting.

 Risk of damage due to moisture ingress.

The steam from a steam cleaner can damage plastic and electrical components.

Do not use a steam cleaner to clean the refrigeration appliance.

Cleaning agents

Cleaning and conditioning agents used in the interior cabinet of the refrigeration appliance must be food safe.

To avoid damaging the surfaces of the appliance, **do not use the following:**

- Cleaning agents containing soda, ammonia, acids or chlorides
- Cleaning agents containing descaling agents
- Abrasive cleaning agents (e.g. scouring powder, scouring liquid or pumice stones)
- Cleaning agents containing solvents
- Stainless steel cleaners
- Dishwasher cleaning agents
- Oven sprays
- Glass cleaner (except on the glass in the appliance door)
- Hard, abrasive sponges and brushes (e.g. pot scourers)
- Eraser stain remover blocks
- Sharp metal scrapers

We recommend using a clean sponge cloth and lukewarm water with a little washing-up liquid to clean the surfaces of the appliance.

Preparing the wine unit for cleaning


- Switch the wine unit off.
- Take any wine bottles out of the wine unit and store them in a cool place.
- Take out any removable accessories for cleaning (see “Removing, dismantling and cleaning accessories”).
- Remove the magnetic strips from the wooden shelves before cleaning them.

Interior, accessories and appliance door

Clean the wine conditioning unit at least once a month.

Remove soiling immediately to prevent it from drying on.

- Clean the interior with a solution of lukewarm water and a little washing-up liquid.
- The wooden shelves should only be wiped with a well wrung-out damp cloth. **They must not be allowed to get wet.**

 Risk of damage due to incorrect cleaning.

The blackboard coating on the magnetic strips may be damaged.

Use clean water only to wipe the magnetic strips at the front of the wooden shelves. Do **not** use a cleaning agent.

- After cleaning, wipe the interior and accessories with a damp cloth and dry with a soft cloth. Leave the door open to air the wine conditioning unit for a short while.


- Clean the glass panes in the appliance door with glass cleaner.

Cleaning the ventilation gaps

A build-up of dust will increase the energy consumption of the appliance.

- The ventilation gaps should be cleaned on a regular basis with a brush or vacuum cleaner (you could use a Miele vacuum cleaner dusting brush, for example).

Cleaning the door seal

 Risk of damage as a result of incorrect cleaning.

If you treat the door seal with oils or grease, it can become porous.

Do not use any oils or grease on the door seal.

- The door seal should be cleaned regularly with clean water, and then wiped dry with a soft cloth.


After cleaning

- Replace all shelves and accessories in the wine unit.
- Switch the wine unit on.
- Place the wine bottles in the wine unit and close the appliance door.

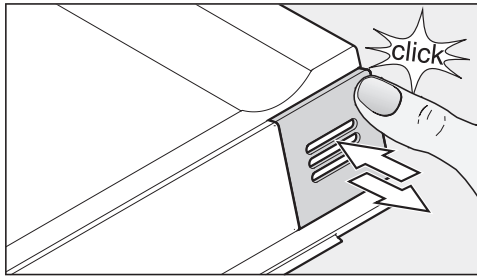
Active AirClean filters

Fresh air from the room enters the wine unit via the Active AirClean filter. Filtering the incoming air through the Active AirClean filter ensures that all the air entering the wine unit is fresh and free from dust and odours.

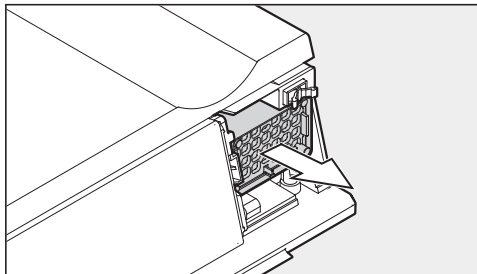
The reminder to change the Active AirClean filter will be displayed at the latest every 12 months.

When the Change Active AirClean filter symbol  lights up in the display, the Active AirClean filter needs to be changed.

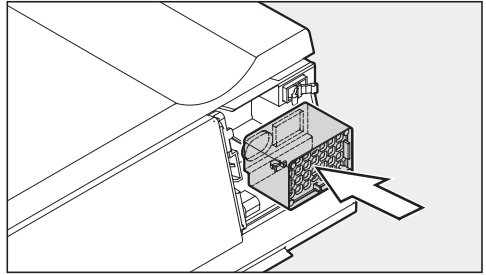
Replacing the Active AirClean filters



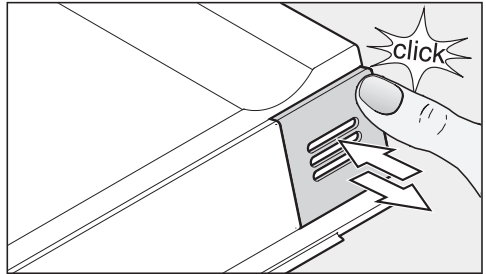
- Press the top right-hand cover in until you hear it click and then release it.



- Remove the filter.



- Insert the new filter.




- Press the top right-hand cover into position until you hear it click and then release it.

Active AirClean filters can be obtained from the Miele Customer Service Department, your Miele dealer or from the Miele website.


To confirm the filters have been changed



- Touch the settings sensor.


All symbols available for selection will appear in the display and the  symbol flashes.



- Touch the sensors for setting the temperature (∨ or ∧) repeatedly until the  symbol flashes.



- Touch the OK sensor to confirm your selection.


The 1 will flash in the display (means: Active AirClean filter is fitted in the appliance), the  symbol lights up.



- Touch the symbols for setting the temperature (∨ or ∧) repeatedly, until the 2 symbol is displayed (means: the counter has been reset).



- Touch the OK sensor to confirm your selection.

The selected setting is applied, the  symbol flashes.



- Touch the settings sensor to leave settings mode.
Otherwise the appliance exits settings mode automatically after approximately one minute.

The  in the display goes out.





Problem solving guide

Many malfunctions and faults that can occur in daily operation can be easily remedied. You can save time and money in many cases, as you do not need to call the Miele Customer Service Department.

Information to help you rectify faults yourself can be found at www.miele.com/service.

The following tables are designed to help you to find the cause of a malfunction or a fault and to resolve it.

To prevent cold from escaping, open the appliance as little as possible until the fault has been corrected.






Problem	Cause and remedy
The wine conditioning unit is not getting cold, the interior lighting does not come on when the door is opened, and the display is not lit up.	The wine conditioning unit is not switched on and the mains connection symbol  is lit up in the display. ■ Switch on the wine conditioning unit.
	The plug is not inserted in the socket correctly. ■ Insert the plug correctly into the socket. The mains connection symbol  appears in the display when the wine conditioning unit is switched off.
	Check whether the mains fuse has tripped. If it has there could be a fault with the appliance, the household electrical wiring or another electrical appliance. ■ Contact a qualified electrician or Miele.
The  symbol is displayed, the wine conditioning unit is not getting cold. However, the appliance and the interior lighting are working fine.	Demo mode is turned on and the  symbol is illuminated in the display. ■ Switch off Demo mode (see “Information for dealers - Demo mode”).

Problem solving guide



Problem	Cause and remedy
<p>The compressor is switching on more frequently and for longer periods of time, the temperature in the wine conditioning unit is falling.</p>	<p>The temperature in the wine conditioning unit is set too low. ■ Adjust the temperature.</p>
	<p>The appliance door is not properly closed. ■ Check that the appliance door closes properly.</p>
	<p>The appliance door has been opened too frequently. ■ Only open the door when necessary and for as short a time as possible.</p>
	<p>The ventilation gaps have been covered over or become dusty. ■ Do not cover the ventilation gaps and dust them regularly.</p>
	<p>The ambient temperature is too warm. ■ Decrease the ambient temperature.</p>
<p>The compressor comes on less and less often and for shorter periods of time. The temperature in the wine conditioning unit rises.</p>	<p>Not a fault. The temperature setting is too high. ■ Correct the temperature setting. ■ Check the temperature again after 24 hours.</p>
<p>The fan runs continuously although the DynaCool function is not turned on.</p>	<p>This is not a fault. The fan turns itself on automatically from time to time depending on the set temperature and ambient temperature.</p>

Problem solving guide

Display warnings

Message	Cause and remedy
The alarm symbol  is lit in the display and both sensors for the wine conditioning zones are flashing in the control field. Furthermore, an audible alarm is also sounding.	<p>The door alarm has been activated.</p> <ul style="list-style-type: none">■ Close the appliance door. Both sensors for the wine conditioning zones and the alarm symbol  will go out and the audible alarm will stop.
The alarm symbol  is flashing in the display, and the sensor for one of the wine conditioning zones is also flashing. An alarm tone is also sounding.	<p>The temperature in the zone concerned has risen higher or fallen lower than the temperature set. Possible reasons for this include:</p> <ul style="list-style-type: none">– The appliance door has been opened too frequently.– The ventilation gaps have been blocked.– A prolonged power cut (power outage) has occurred. <ul style="list-style-type: none">■ Rectify the cause of the alarm. The alarm symbol  goes out and the sensor for the affected wine conditioning zone lights up again constantly. The alarm will stop.
The Change Active AirClean filter symbol  is lit up.	<p>This is the reminder to change the Active AirClean filter.</p> <ul style="list-style-type: none">■ Replace the Active AirClean filter and then confirm the filter change in settings mode (see “Active AirClean Filter”).
A dash is lit up up/flashing in the display.	<p>Only temperatures within the range the wine conditioning unit can display will be shown.</p>
“F0”, “F1”, “F8”, “E1”, “E2”, “E7” or “EB” appears in the display.	<p>There is a fault.</p> <ul style="list-style-type: none">■ Call Service.

The interior lighting is not working.

Problem	Cause and remedy
The LED interior lighting is not working.	<p>The wine conditioning unit is not switched on.</p> <ul style="list-style-type: none"> ■ Switch the wine conditioning unit on.
	<p>To avoid overheating, the LED lighting switches itself off automatically after approx. 15 minutes if the door is left open.</p> <p>If this is not the cause, then there is a fault.</p> <div style="border: 1px solid gray; padding: 5px; margin-bottom: 5px;"> <p> Danger of electric shock.</p> <p>There are live electrical components under the lighting cover.</p> <p>The LED lighting may only be repaired or replaced by the Customer Service Department.</p> </div> <div style="border: 1px solid gray; padding: 5px; margin-bottom: 5px;"> <p> Risk of injury from LED lighting.</p> <p>This lighting corresponds to risk group RG 2. If the cover is defective, there is a danger of eye injury.</p> <p>If the lighting cover is defective, do not look from a close range directly into the lighting with optical instruments (e.g. magnifying glass or similar).</p> </div> <ul style="list-style-type: none"> ■ Call the Customer Service Department.
The interior lighting is on even when the appliance door is closed.	<p>This is not a fault. The feature lighting is switched on.</p> <ul style="list-style-type: none"> ■ Switch off the feature lighting (see “Feature lighting”).

Problem solving guide

General problems with the wine conditioning unit

Problem	Cause and remedy
The door seal is damaged or needs to be replaced.	No tools are required to change the door seal. ■ Change the door seal. A replacement is available from Miele or from specialist retailers.
There is no audible alarm although the door has been open for a long time.	This is not a fault. The alarm tone has been switched off in settings mode (see “Selecting further settings – Audible signals 🎵”).
The wine conditioning unit cannot be switched off.	The safety lock has been activated. ■ Completely deactivate the safety lock (see “Selecting further settings – Activating and deactivating the safety lock 🔒”).
The wooden slats in the wooden shelves are warping.	A change in volume due to moisture absorption or drying out is a typical characteristic of wood. An increase in humidity in the wine unit causes wooden components to warp. Therefore, under certain circumstances, wooden parts can warp and cracks can develop. Knots and grain patina are part of the natural character of the wood.
Mildew has begun to form on the wine bottle labels.	Mildew can begin to form on the labels, depending on the type of label adhesive used. ■ Clean the wine bottles and remove any adhesive residue.
A white deposit has formed on the wine bottle corks.	The corks have oxidised due to contact with the air. ■ Use a dry cloth to wipe off the deposit. The deposit will not affect the quality of the wine.

Noises

Normal noises	What is causing them?
Brrrr ...	A humming noise is made by the motor (compressor). The humming noise can get louder for brief periods when the motor switches on.
Blubb, blubb ...	A gurgling noise can be heard when the refrigerant circulates through the pipes.
Click ...	Clicking sounds occur whenever the thermostat switches the motor on or off.
Sssrrrr ...	With a multi-zone wine unit a slight hissing sound may emanate from the interior due to the circulation of the air.
Crack ...	A cracking sound can be heard when material inside the wine unit expands.
Please bear in mind that a certain amount of noise is unavoidable (from the compressor and the refrigerant circulating through the cooling circuit).	

Noises that you can easily rectify	Cause	Remedy
Rattling, vibrating	The wine unit is uneven.	Realign the wine unit using a spirit level. Do so by raising or lowering the screw feet underneath the appliance or place something underneath it.
	Shelves are unstable or sticking.	Check all removable items and refit them correctly.
	Bottles or containers are touching.	Separate them.
	The transport cable clips are hanging loose at the back of the appliance.	Remove the cable clips.

Service

Information to help you rectify faults yourself and about Miele spare parts can be found at www.miele.com/service.

Contact in the event of a fault

In the event of a fault which you cannot remedy yourself, please contact your Miele dealer or Miele Customer Service.

You can book a Miele Customer Service call-out online at www.miele.com/service.

Contact information for Miele Customer Service can be found at the end of this document.

Please quote the model identifier and serial number of your appliance (SN) when contacting Miele Customer Service. Both numbers can be found on the data plate inside the refrigeration appliance or, depending on the model, in Settings mode under Information **i**.

The data plate can be found inside the wine unit.

EPREL database

Since 1 March 2021, information on energy labelling and ecodesign requirements has been available in the European Product Database (EPREL). You can find the product database at the following link <https://eprel.ec.europa.eu/>. You will be asked to enter the model identifier.

The model identifier can be found on the data plate inside the refrigeration appliance or, depending on the model, in Settings mode under Information **i**.

Miele			
XXXXXX		Nr. XX/XXXXXXXXXX.	
WEINTEMPERATURSCHRANK-UNTERTISCH-MODELL MULTI-TEMPERATURE WINE STORAGE CABINET-UNDER-VORSTOPF ARMOIRE DE MISE EN TEMP. DES VINS/MCC. ENCASTRABLE SOUS PLAN АРМОИР ПОД ПОВЕРХНОСТЬЮ. ВИНОВАКЦИОНЕР ПОТРУБНОГО ENGINEPA ВИННИЙ ТЕМПЕРАТУРНЫЙ ШКАФ			
Klasse/Class Class/Classe SN-ST	Ap-Typ/AP-Type AP-Type/AP-Tipo	Bruttinhalt/Gross Capacity Volume Brut/Capacità Bruta XXXX l	Gefriervermögen/Freezing Capacity Pouvoir de Congel/Capac. Congeladora
Nutzinhalt Net Capacity Volume Utile Capac. Util	Ges. / K / G Tot / R / F Tot / R / F Tot / R / F	/ WEIN / KALT / WINE / CHILL / WINE / CHILL / WINE / CHILL	R600a: XXg

Warranty

For information on the appliance warranty specific to your country please contact Miele. See back cover for address.

In the UK, your appliance warranty is valid for 2 years from the date of purchase. However, you must activate your cover by calling 0330 160 6640 or registering online at www.miele.co.uk.

Installation site



Risk of injury and damage.

A wine unit that has not been installed in its niche can tip up.

Keep the appliance door shut until the wine unit has been built in and secured in its building-in niche in accordance with these operating and installation instructions.



Risk of fire and damage.

This wine unit must not be installed underneath a hob.



Risk of fire and damage.

Do not install a warming drawer under the wine unit.



Risk of damage.

Do not install a vacuum drawer under the wine unit.



Risk of tipping over.

Risk of injury and damage.

If you install the wine unit by itself in a separate housing unit, this housing unit must be securely fixed to the wall.

This appliance should be installed in a dry, well-ventilated room.

When deciding where to install your wine unit, please bear in mind that it will use more energy if installed near to a heater, a cooker or another appliance that gives off heat. Direct sunlight should also be avoided.

The higher the room temperature, the longer the compressor runs and the higher the energy consumption is.

When installing the wine unit, please note:

- The socket must be easily accessible in an emergency, not concealed behind the appliance.
- The plug and cable must not touch the back of the wine unit as they could be damaged by vibrations from the appliance.
- Do not plug in other appliances behind the wine unit.

Installation

Load-bearing capacity of the niche floor

To ensure the safe installation of the wine unit and to guarantee its correct functioning, the floor to the niche where the appliance is to be installed must be smooth and even.

It must be made from strong, rigid material.

Because the wine unit is extremely heavy when fully loaded, it is essential that the floor it stands on is able to bear its weight.

When fully loaded, the weight of the wine unit is approx. **200 kg**.



Danger from broken glass!

Danger of injury from broken glass. If installed at altitudes above 1500 m there is a risk of the glass in the door breaking because of changes in air pressure. Shards of glass can cause severe injury if not handled with care.



Risk of damage due to high humidity.

In environments with high humidity, condensation can build up on the external wine unit panels, which can cause corrosion.

Install the wine unit with sufficient ventilation in a dry and/or air-conditioned room.

After installation, make sure that the appliance door closes properly, the ventilation gaps are not covered and that the wine unit has been installed in accordance with these operating and installation instructions.

Climate range

This wine unit is designed for use within specific ambient temperatures (climate range). Do not use in ambient temperatures for which it is not designed. The climate range is stated on the data plate inside the wine unit.

Climate range	Ambient temperature
SN	10 to 32 °C
N	16 to 32 °C
ST	16 to 38 °C
T	16 to 43 °C
SN-ST	10 to 38 °C
SN-T	10 to 43 °C

A lower ambient temperature will cause the compressor to switch off for longer periods, meaning that the wine unit is unable to maintain the required temperature in some circumstances.

Side-by-side

This wine conditioning unit can be installed side-by-side with another wine conditioning unit or a refrigeration appliance.

Your dealer will be able to advise you which combination of models is possible.

Ventilation

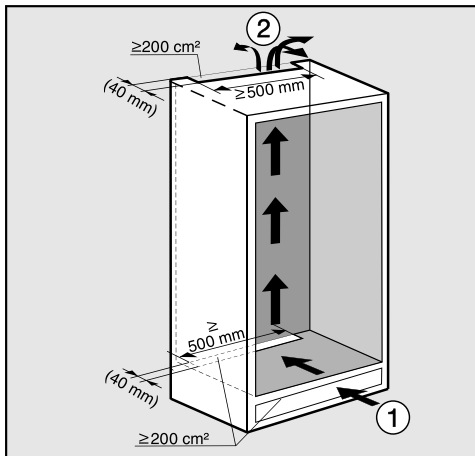
⚠ Risk of fire and damage due to insufficient ventilation.

If the wine conditioning unit is not ventilated sufficiently, the compressor will run more frequently and for longer periods. This will result in increased energy consumption and a higher operating temperature for the compressor. This may, in turn, cause damage to the compressor.

Please ensure that there is adequate ventilation around the wine conditioning unit.

It is essential to observe the required ventilation gaps. The ventilation gaps must not be covered or blocked in any way.

Air at the back of the wine conditioning unit gets warm. The appliance housing unit must therefore be constructed to allow sufficient space for ventilation (see “Installation – Building-in dimensions”):



Air intake occurs via the plinth ① at the bottom of the appliance and the air escapes at the top ② at the back of the housing unit.

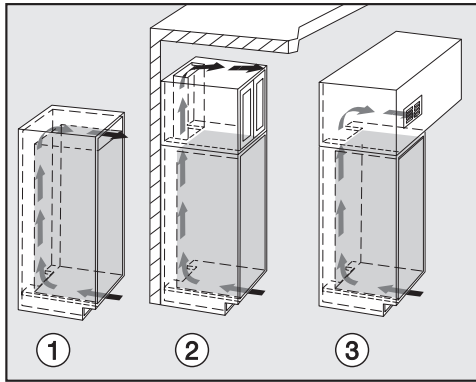
- A ventilation gap of at least 40 mm depth must be allowed for behind the appliance for air to circulate.
- The ventilation cross-sections in the plinth, housing unit and above the appliance must each provide an unobstructed airflow of at least 200 cm² to ensure that air can circulate without hindrance.

If ventilation grilles are to be inserted into the ventilation gaps, the ventilation gaps must be larger than 200 cm². The unobstructed airflow of 200 cm² is calculated by adding up the total area of ventilation gaps in the grille.

- Important! The larger the ventilation gaps, the less energy the wine conditioning unit will use.

Installation

The ventilation gap at the top of the appliance can be constructed in different ways:



- ①: Directly above the wine conditioning unit
- ②: Above a top box
- ③: In a top box through a ventilation grille at the front

The ventilation gaps must not be covered or blocked in any way. They must also be regularly dusted.

Furniture door panel

Horizontal and vertical gaps

Depending on the style of kitchen furniture, the thickness and edge radius of the furniture door and the gap that runs around the door, vertically and horizontally, are specified.

It is essential to pay attention to the following:

- Horizontal gap

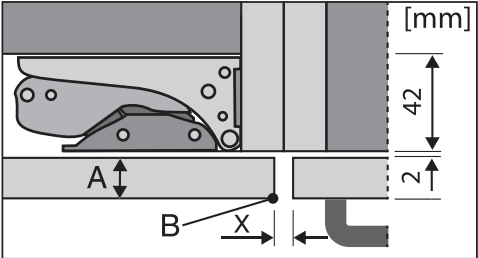
The gap between the furniture door and the housing unit door above or below it must be at least 3 mm.

- Vertical gap

If the gap between the wine unit furniture door and the adjoining housing unit door or wall on the hinged side is too small, the appliance door could collide with the adjoining housing unit door or wall when opened. It may be necessary to adjust the size of this gap to suit the thickness and edge radius of the furniture door.

This must be taken into consideration when planning your kitchen and when replacing an old wine unit with a new one to ensure the installation conditions required are met.

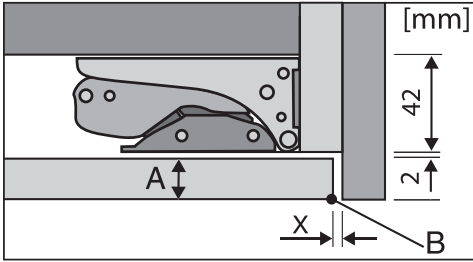
Appliance furniture door thickness A [mm]	Gap X [mm] for different edge radii B			
	R0	R1.2	R2	R3
≥16–19	min. 3			
20	5	4	4	3.5
21	5.5	5	4.5	4
22	6.5	6	5.5	5



Adjoining kitchen furniture front

- A = Furniture front thickness
- B = Edge radius
- X = Gap

Installation



Adjoining side wall

A = Furniture front thickness

B = Edge radius

X = Gap

Tip: Fit a spacer between the housing unit carcase and the side wall. This way you will get a sufficiently wide gap.

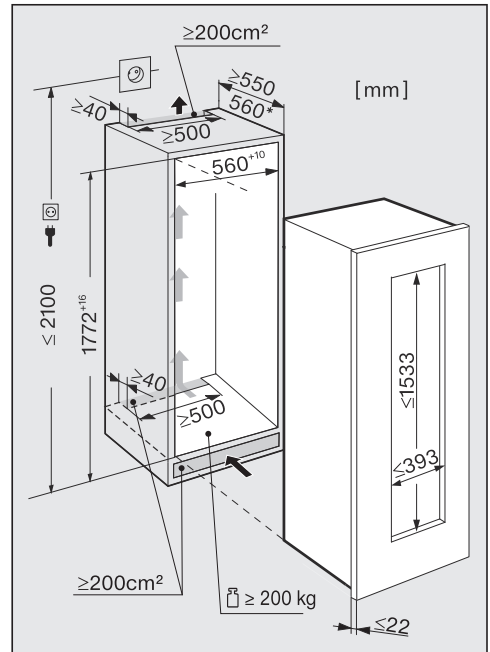
Weight of the furniture door

Before fitting a furniture door, ensure that the weight of the door does not exceed the maximum permitted.

Wine unit	Maximum weight of furniture door in kg
KWT 6x22 i (S)	20

Fitting a door which is heavier than the maximum permitted weight could damage the hinges.

Installation dimensions

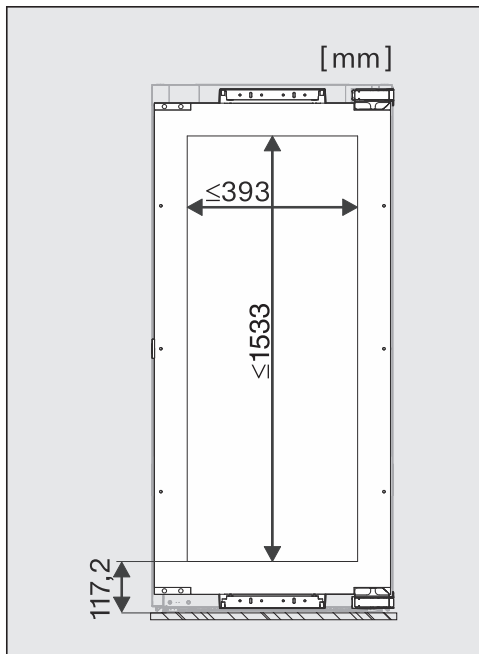



The mains connection cable is 2800 mm long.

The socket must be easily accessible in an emergency, not concealed behind the appliance.

Installation

Furniture door dimensions



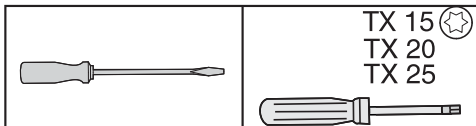
 Risk of damage.


Never fit a sealed furniture door in front of the glass door as this can lead to a build-up of moisture and cause corrosion of the wine unit.

Changing the door hinging

The wine unit is supplied with right-hand hinging. If left-hand hinging is required, the hinges must be changed.

To change the door hinging, you will need the following tools:



 Risk of injury and damage.

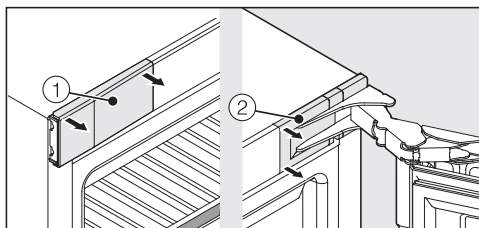
The glass door is breakable.
The glass door is heavy (approx. 31 kg). Always change the door hinging with the assistance of another person.

 Risk of injury and damage.

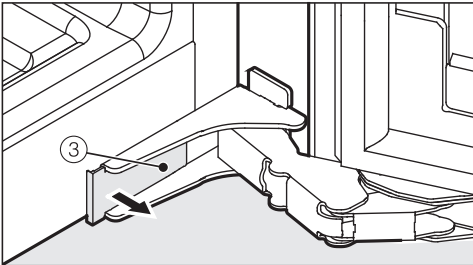
The glass door can drop.
When changing the door hinging make sure that all fixing parts are securely screwed into position.

Tip: Place a suitable cover on the floor in front of the wine unit to protect the glass door and your floor from damage when changing the door hinging.

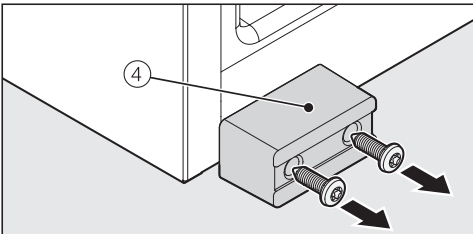
Be careful not to damage the door seal. If the door seal is damaged, the appliance door may not close properly and cooling will be insufficient.



- Open the appliance door and remove covers ① and ② on the left and right of the wine unit.



- Remove cover ③ from the bottom of the wine unit.



- Unscrew the transport safety device ④.

Tip: Keep this device in a safe place for refitting should the appliance need to be moved in the future.

⚠ Risk of injury and damage.

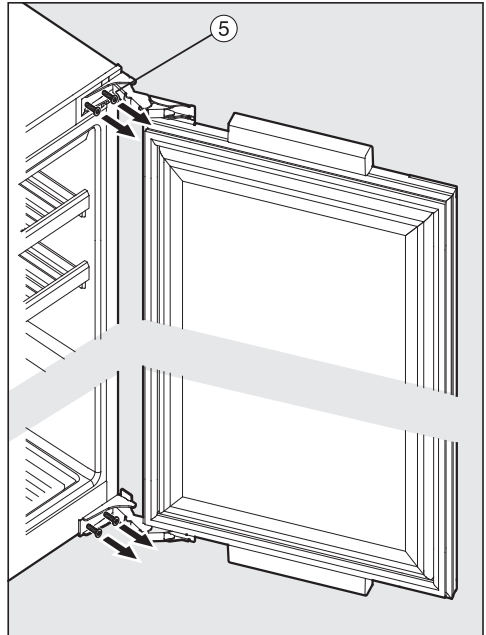
The appliance door is not secure once the screws in the hinges have been removed.

The second person must support the appliance door.

⚠ Risk of injury.

If the hinges close there is a risk of injury.

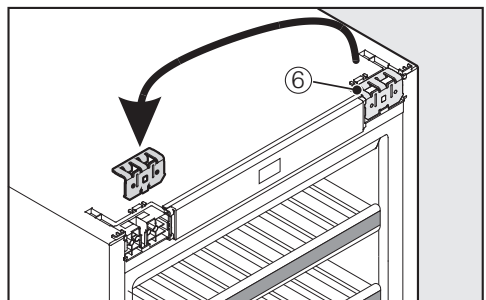
Leave the hinges open.



- Slightly unscrew the bottom and top screws from the hinges ⑤. The appliance door must be held by a second person whilst you do this.
- Remove the appliance door.
- Carefully place the dismantled appliance door on a soft surface.
- Now undo the screws completely.

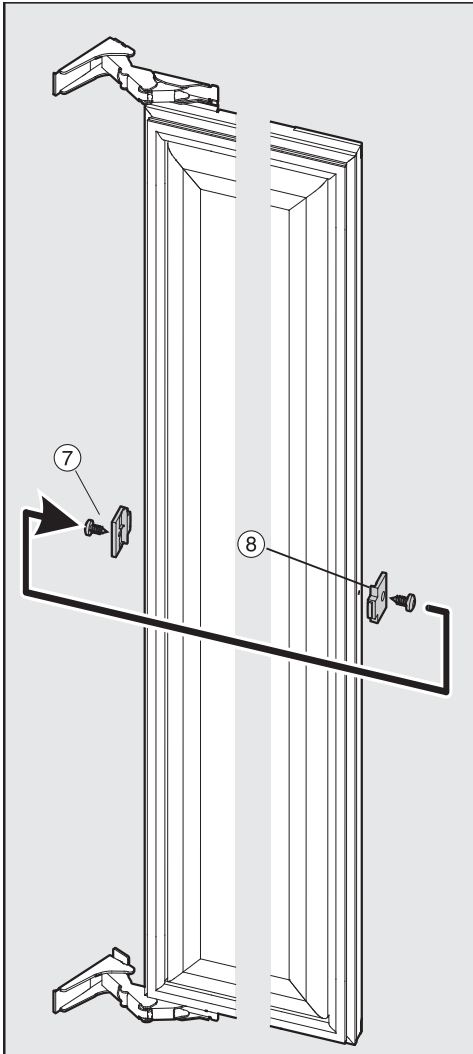
⚠ Risk of injury.

Do not close the hinges.

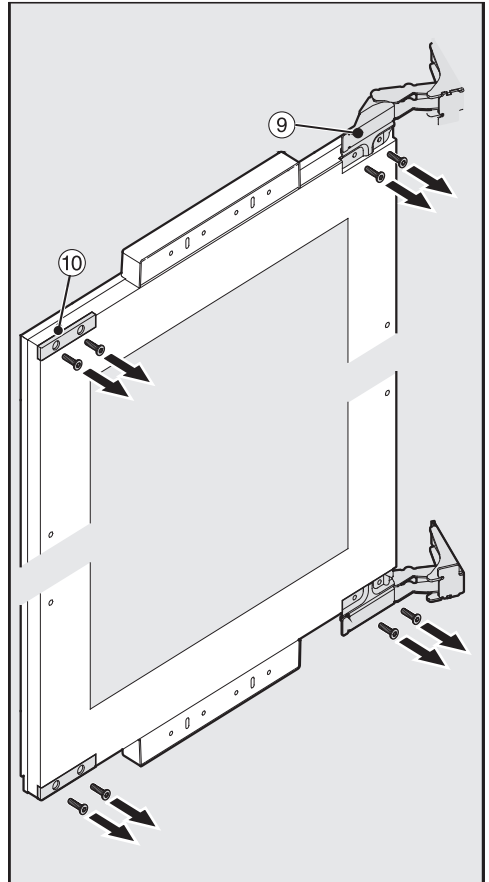


Installation

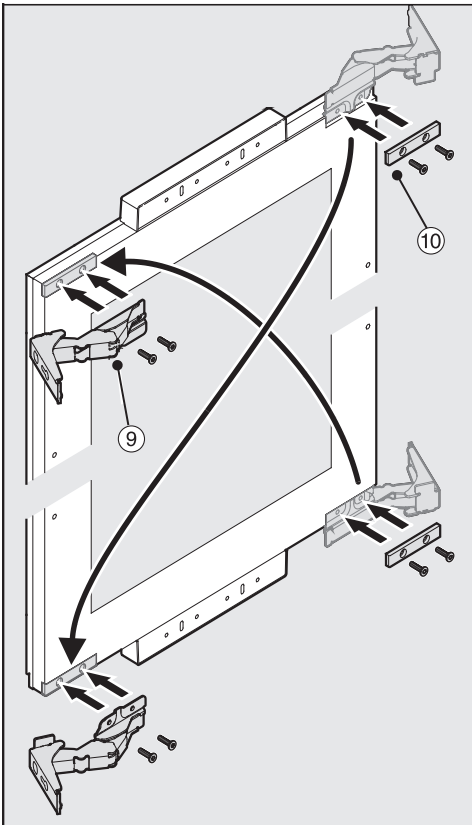
- Take off the upper retaining bracket ⑥ and refit it on the opposite side.



- Remove the stopper ⑦ from the appliance door.
- Remove the spacer ⑧ from the appliance door, rotate it 180° and fit it on the opposite side.
- Refit the stopper ⑦ on the opposite side of the door.



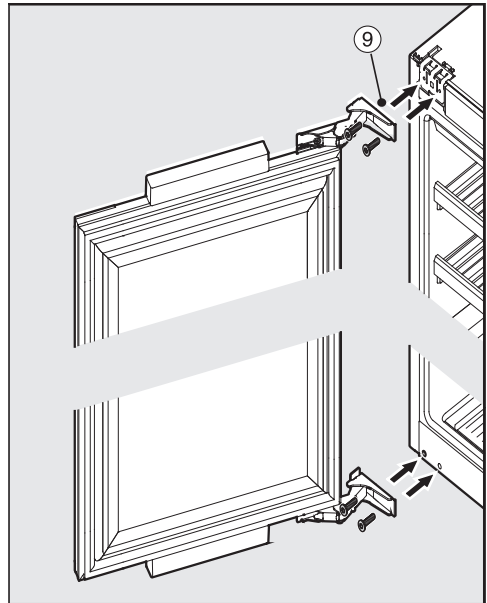
- Unscrew the hinges ⑨ and covers ⑩ from the appliance door.



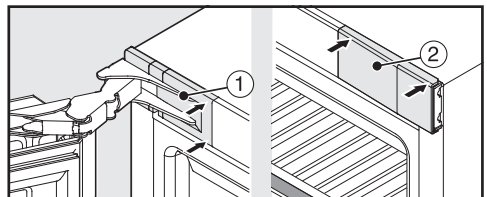
- Fit the hinges ⑨ and covers ⑩ diagonally on the opposite side.

 Risk of injury.

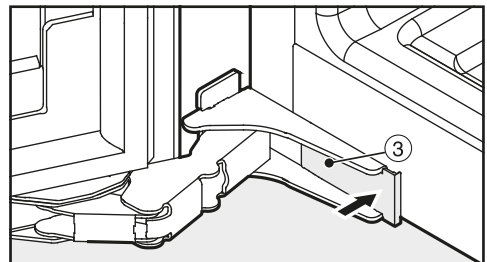
The second person must support the appliance door during the following steps.



- Fit the screws through the hinges ⑨ at the top and bottom.
- Tighten the bottom screws followed by the top screws.



- Replace the top covers ① and ② and click them into place.



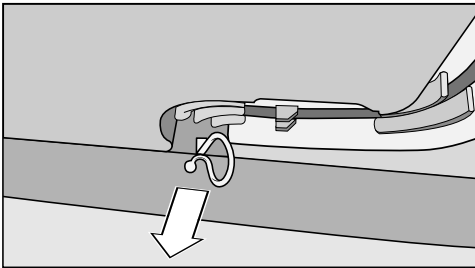
- Replace the bottom cover ③ and click it into place.

Installation

- Check that the wine unit is standing securely in the building-in niche and that the appliance door closes properly.

Before installing the wine conditioning unit

- Take any accessories out of the appliance.



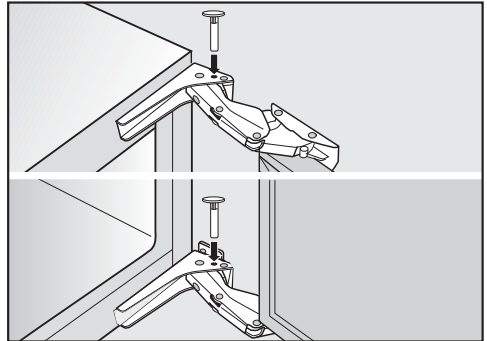
- Remove the cable clip from the back of the appliance (depending on model).

The door hinges on the wine unit are set ex-works to enable the appliance door to be opened wide.

However if the opening angle of the appliance door needs to be limited for any reason, the hinge can be adjusted to accommodate this.

If the appliance door hits an adjacent wall when opened, for example, the opening angle can be limited to approx. 90°.


The locking pins for limiting the door opening must be fitted before the wine unit is installed.



- Insert the locking pins supplied for limiting the door opening into the hinges from above.

The appliance door opening angle is now limited to approx. 90°.

Installing the wine conditioning unit

 Risk of damage and injury from the wine unit tipping over.

There is an increased risk of injury and damage if the wine unit is installed by a single person.

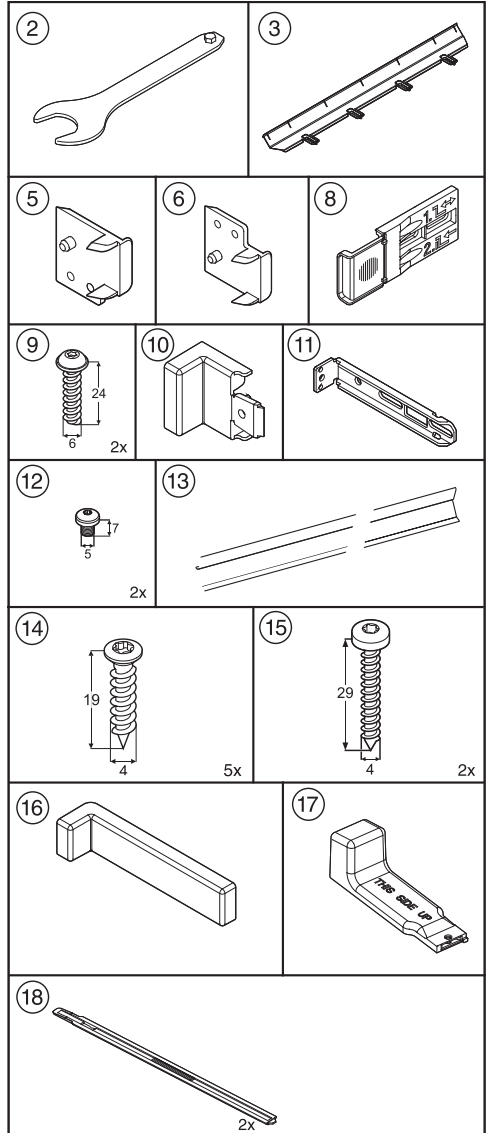
Two people are required for installing the wine unit.

- Install the wine unit in a stable, solid housing unit, positioned on an even and level floor.
- The building-in niche must be horizontally and vertically aligned.
- The required ventilation gaps must be provided (see “Installation” – “Ventilation” and “Building-in dimensions”).

The following parts are supplied with the wine unit:

All installation parts are number coded. This coding is also used in the installation instructions.

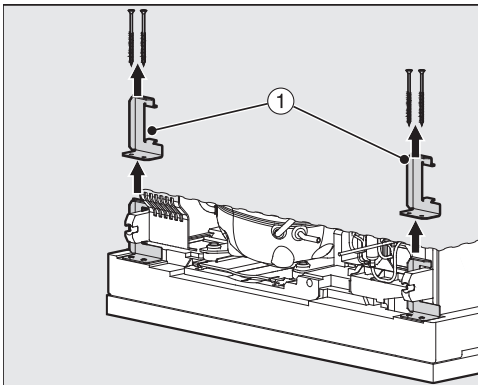
- Required for installing the wine unit in its niche:



Installation

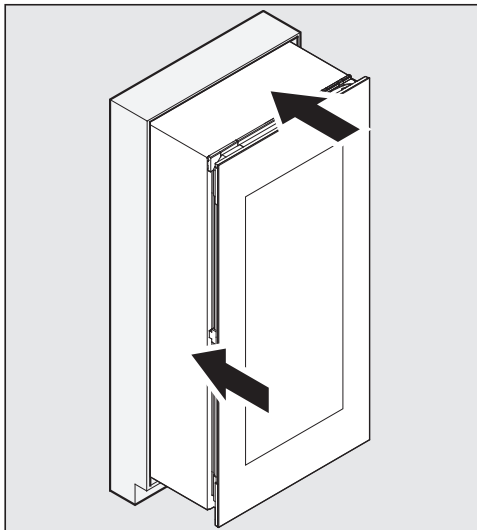
All fitting instructions given are for a wine unit with right-hand hinging. If you have converted the appliance to left-hand hinging, you will need to adapt these instructions accordingly.

Setting up the wine unit

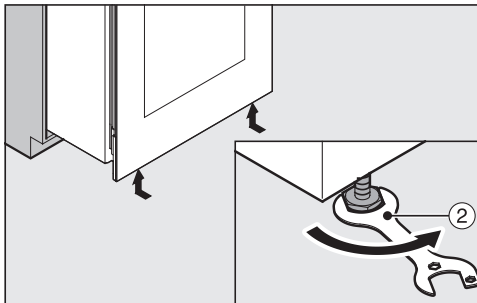


- Unscrew the transport safety devices ① from both sides on the back of the wine unit and remove them upwards.
- Feed the power cable through to the socket.

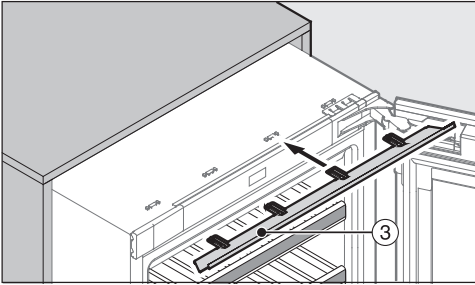
⚠ Fire hazard due to short circuit.
When pushing the wine unit into its niche make sure that the mains cable does not get trapped. Never operate a wine unit with a faulty power cable.



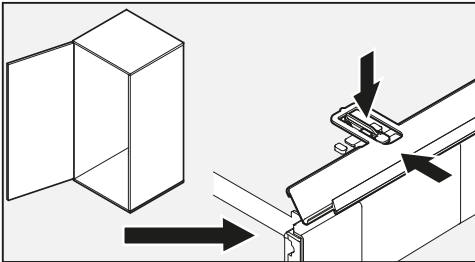
- Push the wine unit two thirds of the way into the building-in niche.



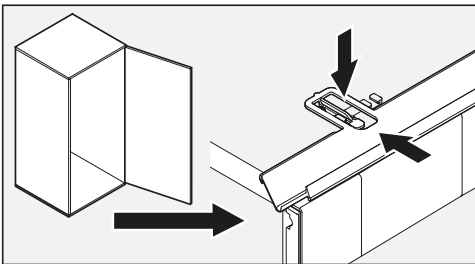
- Turn the front adjustable feet of the wine unit all the way in using the open spanner ② supplied.



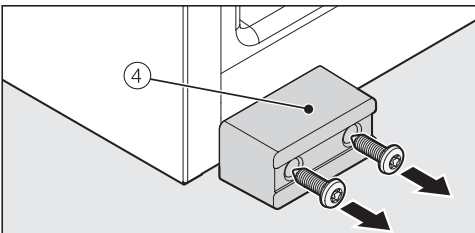
- Slide the filler panel ③ supplied from the front into the holders on the wine unit as shown.



- If the wine unit is left-hinged, allow for the position of the lug (see illustration above).



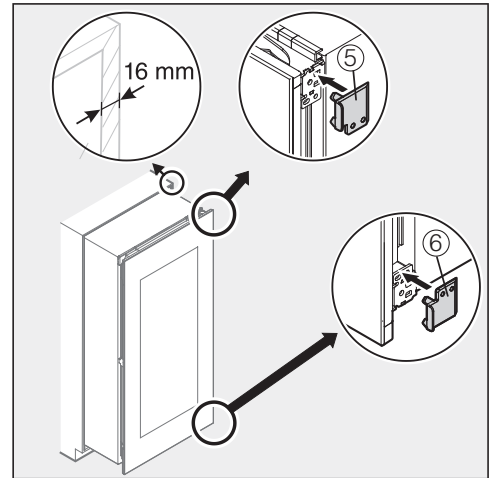
- If the wine unit is right-hinged, allow for the position of the lug (see illustration above).



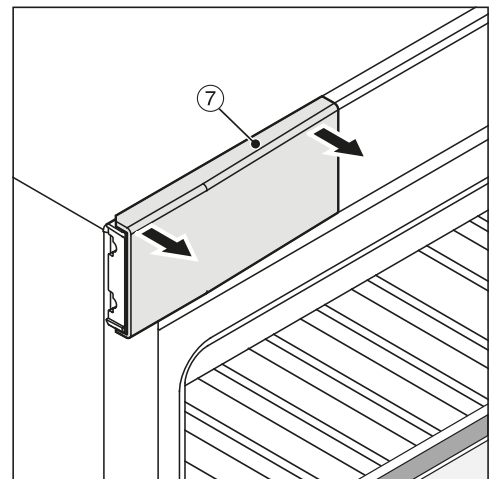
- Unscrew the transport safety device ④ from the front of the wine unit, if you have not already done so.

Tip: Keep this device in a safe place for refitting should the appliance need to be moved in the future.

With 16 mm thick unit walls only:

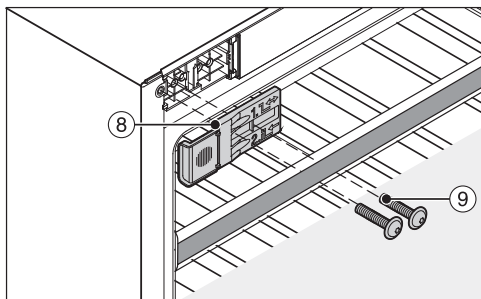


- Clip spacers ⑤ and ⑥ supplied onto the hinges on the right.
- Open the appliance door.

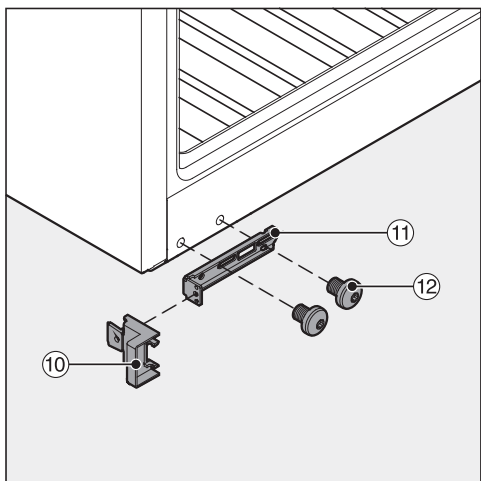


- Remove top cover ⑦.

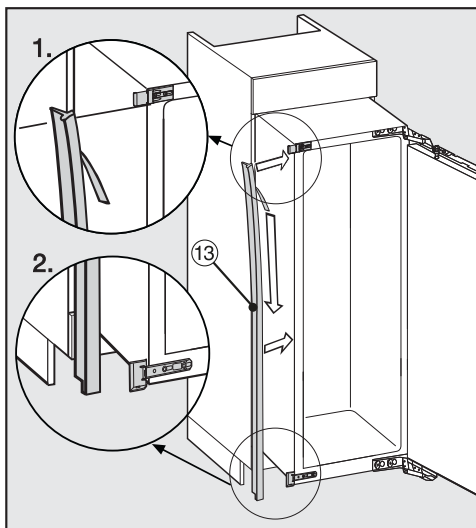
Installation



- Screw the supplied fixing bracket (8) loosely with the screws (9) supplied into the top left of the wine unit (1st and 3rd hole from the left). Do not tighten the screws so that you can adjust the position of fixing bracket (8) later on.



- Fit the stopper (10) supplied onto the fixing bracket (11) also supplied.
- Screw the fixing bracket (11) loosely with the screws (12) supplied into the bottom of the wine unit. Do not tighten the screws (12) so that you can adjust the position of this part.



- Carefully remove the protective foil from the supplied sealing strip (13).
- Fix the sealing strip (13) flush with the front of the appliance on the door opening side.
 1. Position the sealing strip (13) flush with the lower edge of the top fixing bracket.
 2. Stick it down along its entire length.
- If necessary, insert the locking pins supplied for limiting the door opening into the hinges from above (see “Changing the door hinging”).

Installing the wine unit

If the wine unit is pushed too far into the niche, the appliance door will not close properly. This can cause ice to build up, condensate to accumulate and lead to faults in the appliance. These can all lead to increased energy consumption.

Push the wine unit into the building-in niche, making sure a gap of **42 mm** is maintained all round between the appliance carcass and the front of the housing unit side walls.

- Push the wine unit into the niche until the fixing brackets at the top and bottom touch the front edge of the side walls of the housing unit.

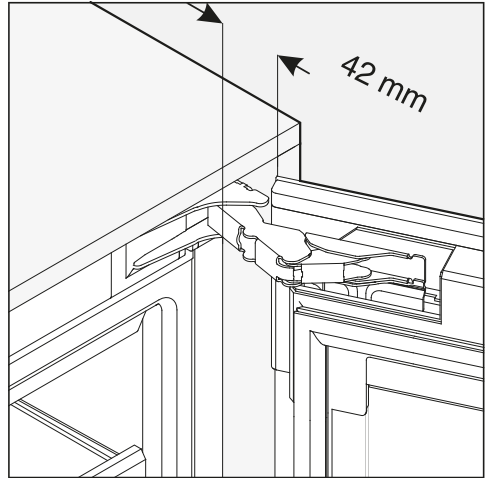
- With **16 mm thick** unit walls:

The spacers should touch the front edge of the housing unit side walls at the top and bottom.

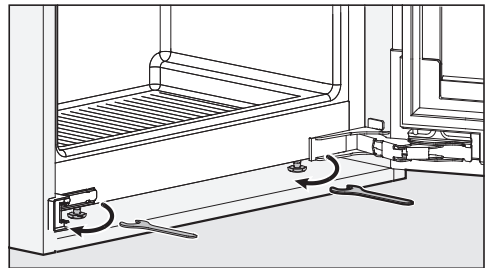
- With **19 mm thick** unit walls:

The front edges of the top and bottom hinges should be flush with the front edge of the housing unit side wall.

- Check the position of the fixing brackets at the top and bottom front edge of the housing unit side wall again.

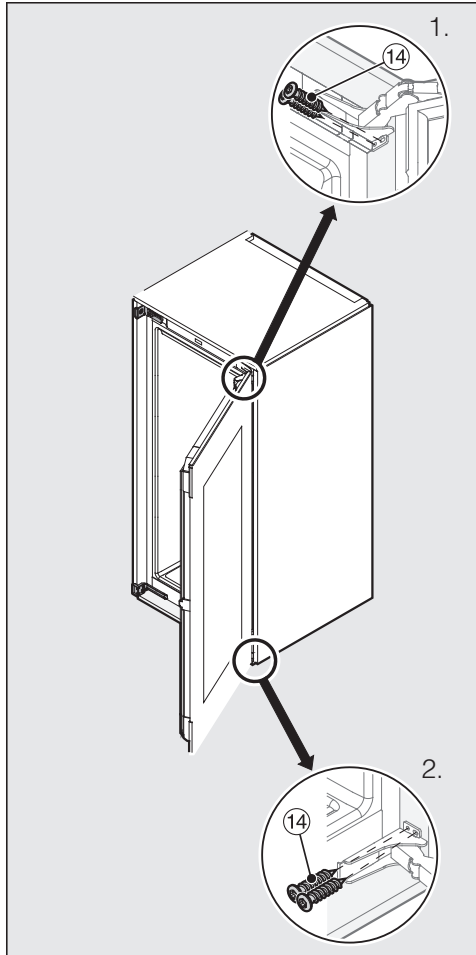


This will create a gap all round of **42 mm** to the front edges of the housing unit side walls.

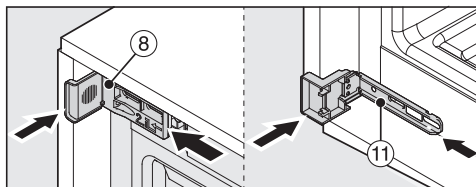


- Align the height of the wine unit as necessary on both sides with adjacent furniture fronts by altering the adjustable feet using the open spanner supplied.

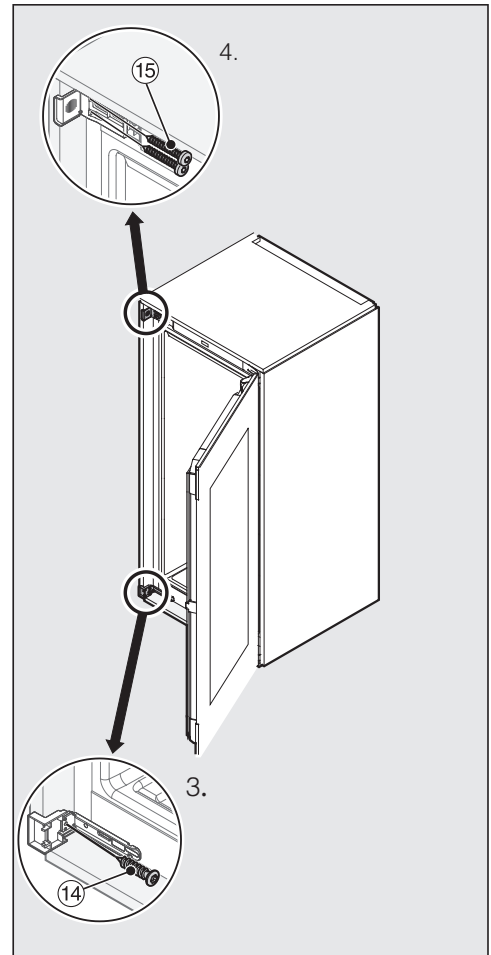
Installation



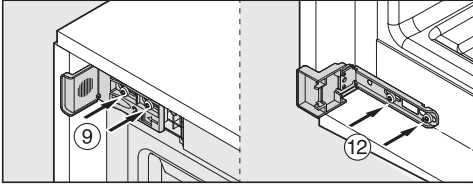
- Push the hinged side of the wine unit to the housing unit wall.
- To secure the wine unit to the housing unit, screw the supplied chipboard screws (14) through the hinge plates at the top and bottom (1. + 2.).



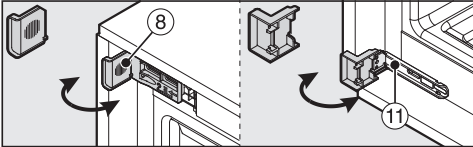
- Push the fixing brackets (8) and (11) against the housing unit wall.



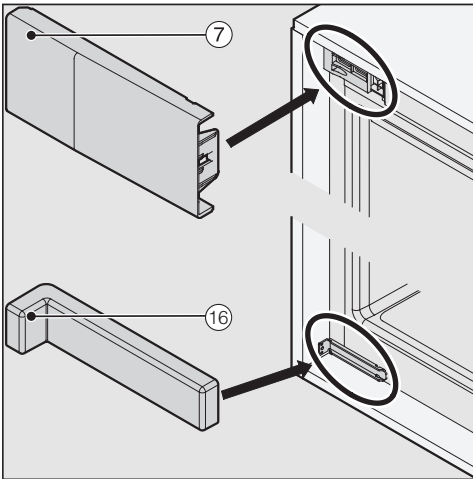
- Now secure the wine unit to the other side of the housing unit by screwing the supplied chipboard screws (14) and (15) through the hinge plates at the top and bottom (3. + 4.).



- Now tighten screws ⑨ and ⑫.

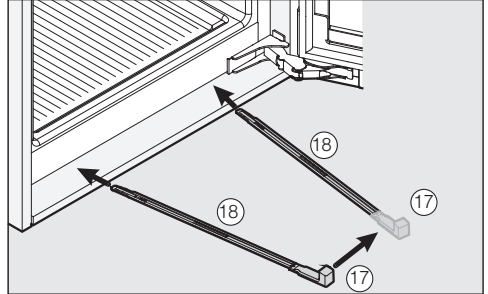


- Snap off any protruding ends from fixing brackets ⑧ and ⑪. They are no longer required and can be disposed of in the household waste.

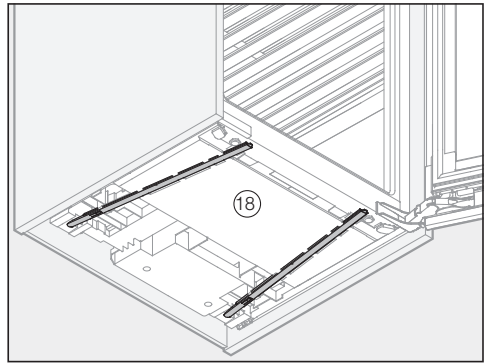


- Fit the cover ⑦ to the top fixing bracket.
- Fit the supplied cover ⑯ to the bottom fixing bracket.

For additional stability of the wine unit in the housing unit, push the stabilising rods supplied underneath the appliance between it and the floor of the housing unit:



- Then secure the handle ⑰ to one of the stabilising rods ⑱.



- Push the stabilising rod ⑱ into the guide hole as far as it will go. Remove the handle ⑰, fit it to the other rod supplied and push this into its guide as far as it will go.

Tip: Important! Keep the handle ⑰ somewhere safe in case you ever need to fit the wine unit into new cabinetry.

- Check that the wine unit is standing securely in the building-in niche and that the appliance door closes properly.

Installation

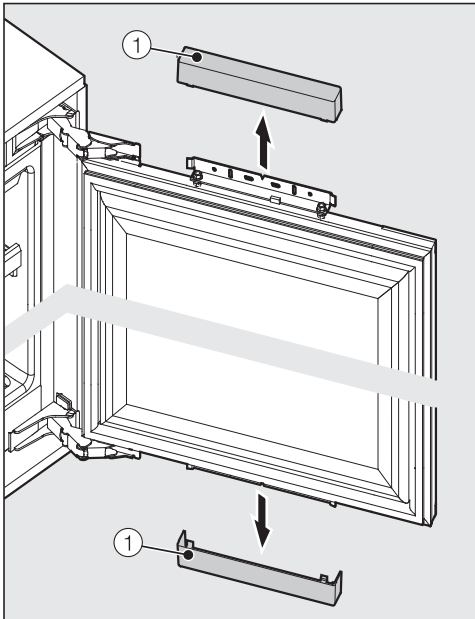
Fitting the furniture door

If fitted in a run of units make sure that the top edge of the furniture door is at the same height as neighbouring cabinet doors.

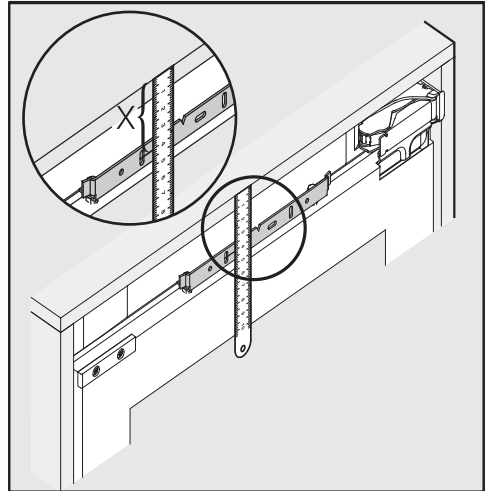
The furniture door must be fitted correctly and not under tension.

Please use the screws for the furniture door as well as the gap cover included in the accessories supplied.

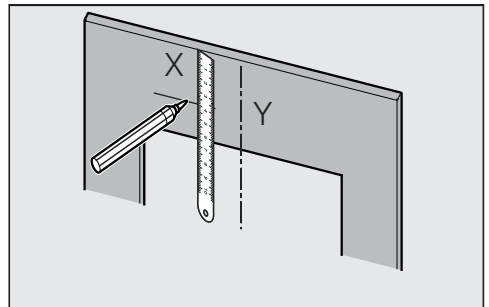
- Open the appliance door.



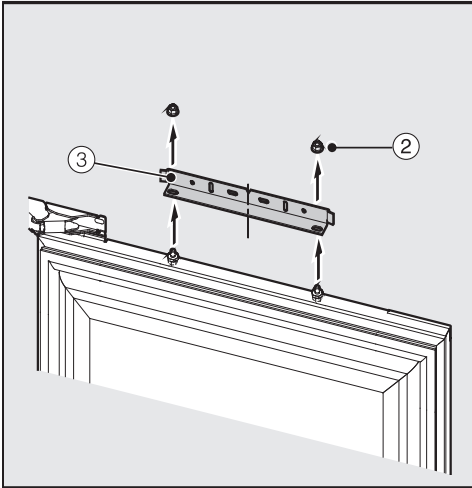
- Remove the covers ① from the top and bottom of the appliance door.



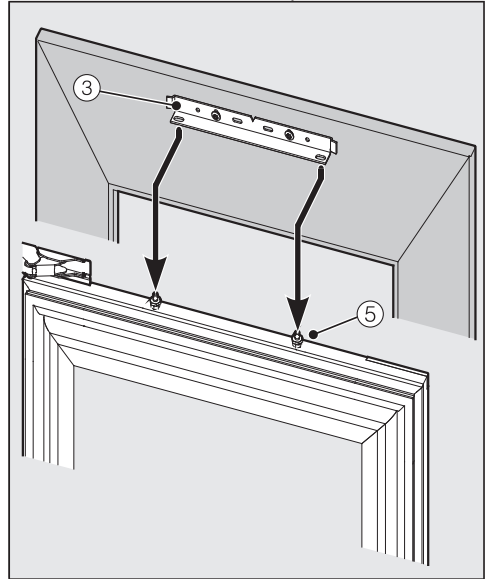
- Measure the distance X between the top edge of the furniture wall above and the middle of the vertical slots in the fixing bracket.
- Place the furniture door on a firm surface, with the external side facing downwards (place on a blanket or similar to prevent it from becoming scratched).



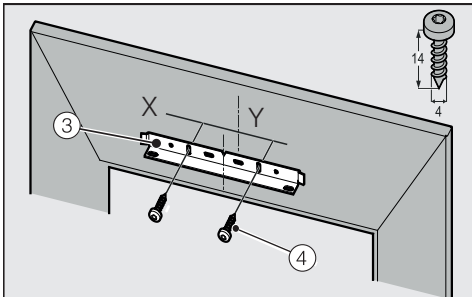
- Mark the distance X on the inner side of the furniture door.
- Similarly, locate and mark the vertical midpoint Y on the furniture door.



- Unscrew the nuts (2) and remove the fixing bracket (3) from the appliance door.

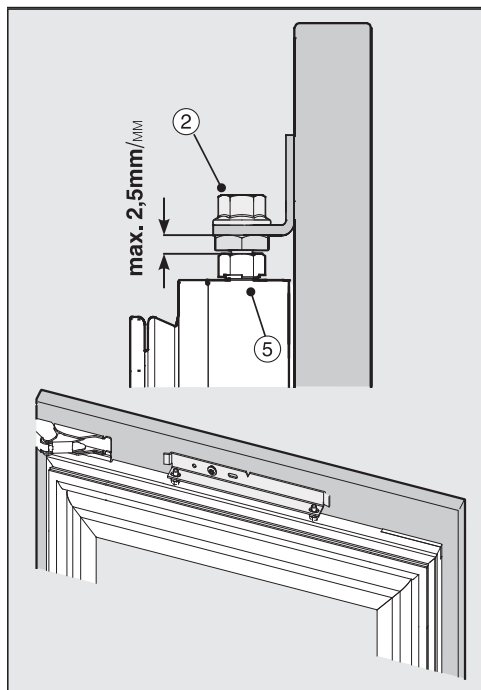


- Open the appliance door and hang the furniture door from its fixing bracket (3) onto the threaded bolts (5) from above.

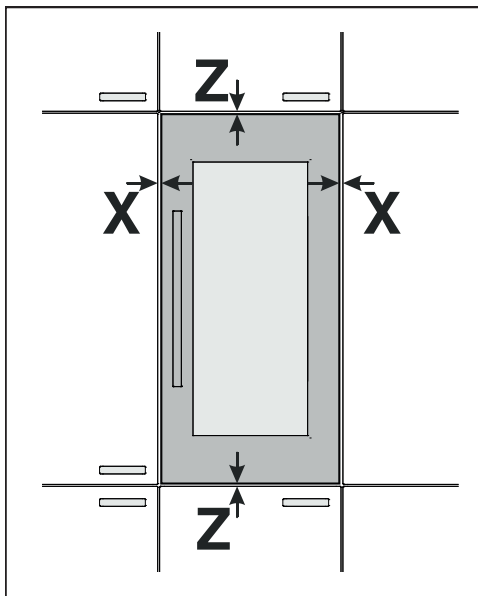


- Position the fixing bracket (3) on the furniture door according to the markings and screw it tightly using the two screws (4) supplied.

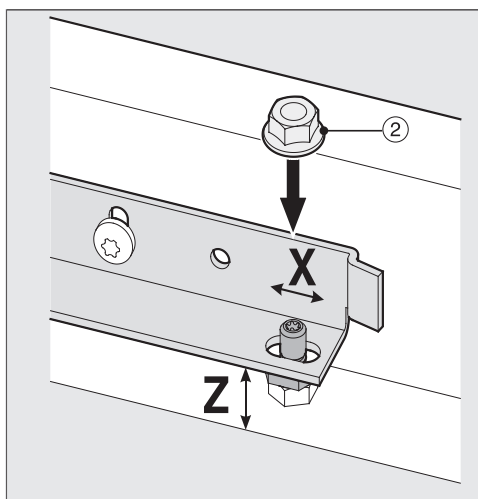
Installation



- Screw the nuts ② loosely onto the threaded bolts ⑤. Do not tighten the nuts yet.

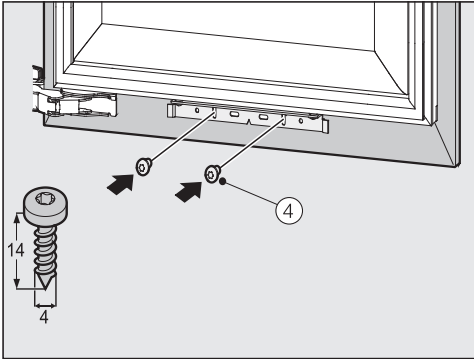


- Close the appliance door carefully and check the distance between the door and adjacent furniture doors. The distance should be the same.

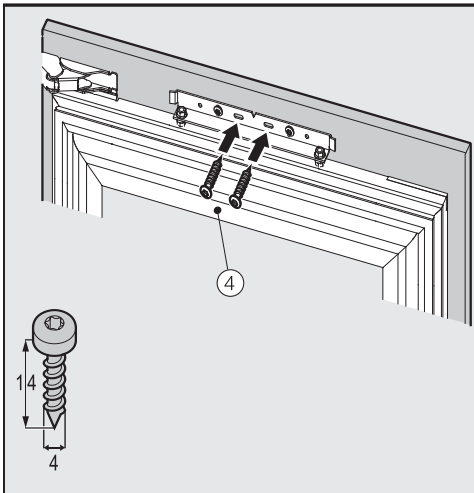


- Align the sides of the appliance door X and the height Y using the threaded bolts.

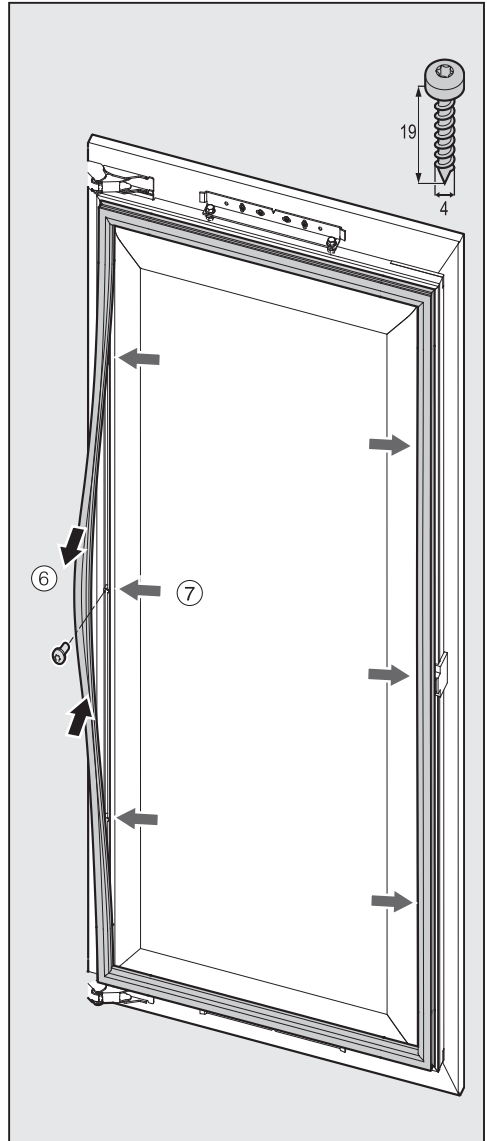
- Close the appliance door again and check the distance between the door and adjacent furniture doors.
- Now screw on the top nuts ②. The appliance door is now secured.



- Secure the furniture door to the appliance door at the bottom using the screws ④ supplied.

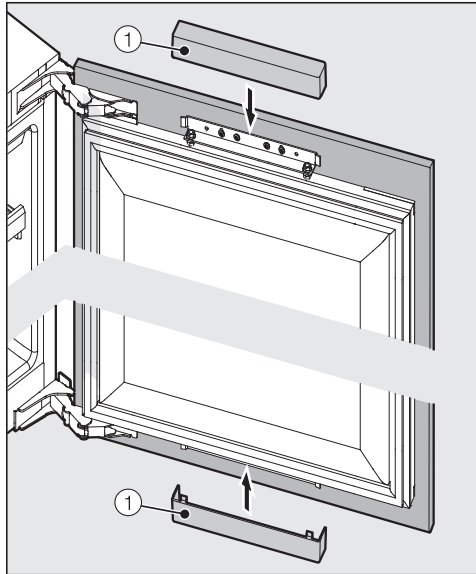


- Re-secure the furniture door at the top using the screws ④ supplied.



- Carefully move the seal ⑥ on the appliance door to one side and secure the furniture door to the appliance door at 3 points on both sides using the screws ⑦ supplied.

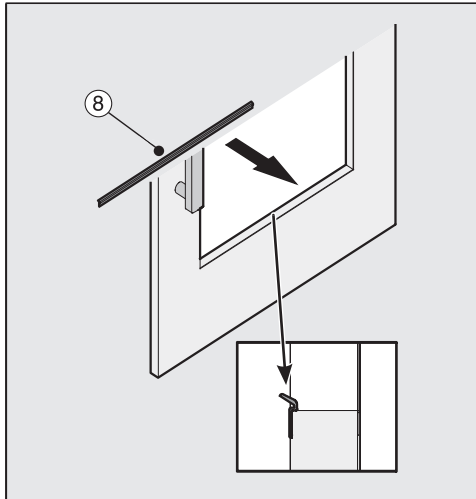
Installation



The following confirms that the wine unit is correctly installed:

- The appliance door closes properly.
 - The appliance door does not touch the housing unit.
 - The seal on the top corner of the handle side is firmly seated.
- To double check place a torch in the wine unit and close the appliance door. Turn the lights out in the room. Check whether you can see any light shining out from the sides of the wine unit. If you can, double check each stage of the installation.

- Replace the covers ① at the top and bottom on the appliance door.



- Insert the gap cover ⑧ supplied into the gap between the furniture door and the appliance door.

Electrical connection

The wine unit is supplied with a mains cable with moulded plug ready for connection to an earthed socket.


The socket must be easily accessible after the wine unit has been installed. If the socket is not easily accessible, ensure that a suitable means of disconnection is provided on the installation side for each pole.

 Risk of fire from overheating.

Connecting the refrigeration appliance to a multi-socket plug adapter or to an extension lead can overload the cable.

For safety reasons, do not use an extension lead or multi-socket adapter.

The electrical installation must comply with VDE 0100 requirements.

For safety reasons, we recommend using a type  residual current device (RCD) in the assigned electrical installation for connecting the wine unit.

If the mains connection cable is damaged, it must only be replaced with a specific mains connection cable of the same type (available from the Miele Customer Service Department). For safety reasons, such replacement may only be carried out by a qualified specialist or the Miele Customer Service Department.

These operating instructions and the data plate indicate the nominal power consumption and the appropriate fuse rating. Compare this information with the data of the on-site electrical connection.

If in any doubt, consult a qualified electrician.

Temporary or permanent operation on an autonomous power supply system or a power supply system that is not synchronised with the mains power supply (e.g. island networks, back-up systems) is possible. A prerequisite for operation is that the power supply system complies with the specifications of EN 50160 or an equivalent standard.

The function and operation of the protective measures provided in the domestic electrical installation and in this Miele product must also be maintained in isolated operation or in operation that is not synchronised with the mains power supply, or these measures must be replaced by equivalent measures in the installation. As described, for example, in the current version of VDE-AR-E 2510-2.

Information for dealers


Demo mode

The wine conditioning unit can be demonstrated in the showroom or at exhibitions in “Demo mode”. In this mode the control panel and interior lighting are active but the compressor remains switched off, so that the appliance does not cool down.

Switching on demo mode



- Switch the wine conditioning unit off by touching the On/Off sensor.

The temperature display will go out and the mains connection symbol  will appear.





- Place your finger on the V sensor, and leave it there.



- At the same time, briefly touch the On/Off sensor (without letting go of the V sensor).



- Leave your finger on the V sensor until the  symbol appears in the display.
- Then release the V sensor.


Demo mode is activated and the  symbol appears in the display.

Switching off Demo mode


The  symbol is lit up in the display.



- Touch the settings sensor.


All symbols available for selection will appear in the display and the  symbol flashes.




- Touch the sensors for setting the temperature (V or ^) repeatedly until the  symbol flashes.



- Touch the OK sensor to confirm your selection.

1 flashes in the display (means: Demo mode is switched on) and the  symbol lights up.



- Touch the ∇ or ▲ sensor until  appears (means: Demo mode is switched off).




- Touch the OK sensor to confirm your selection.

The selected setting is applied, the

- symbol flashes.



- Touch the settings sensor to leave settings mode. Otherwise the appliance exits settings mode automatically after approximately one minute.

Demo mode is switched off, the  symbol goes out.

United Kingdom

Miele Co. Ltd., Fairacres, Marcham Road, Abingdon, Oxon, OX14 1TW
Tel: 0330 160 6600, Internet: www.miele.co.uk, E-mail: info@miele.co.uk

Australia

Miele Australia Pty. Ltd.
ACN 005 635 398
ABN 96 005 635 398
Level 4, 141 Camberwell Road
Hawthorn East, VIC 3123
Tel: 1300 464 353
E-mail: info@miele.com.au
Internet: www.miele.com.au

China Mainland

Miele Electrical Appliances Co., Ltd.
1-3 Floor, No. 82 Shi Men Yi Road
Jing' an District
200040 Shanghai, PRC
Tel: +86 21 6157 3500
Fax: +86 21 6157 3511
E-mail: info@miele.cn
Internet: www.miele.cn

Hong Kong, China

Miele (Hong Kong) Ltd.
41/F - 4101, Manhattan Place
23 Wang Tai Road
Kowloon Bay, Hong Kong
Tel: (852) 2610 1025
Fax: (852) 3579 1404
E-mail:
customerservices@miele.com.hk
Website: www.miele.hk

India

Miele India Pvt. Ltd.
1st Floor, Copia Corporate Suites,
Commercial Plot 9, Mathura Road,
Jasola, New Delhi - 110025
E-mail: customercare@miele.in
Website: www.miele.in

Ireland

Miele Ireland Ltd.
2024 Bianconi Avenue
Citywest Business Campus
Dublin 24
Tel: (01) 461 07 10
Fax: (01) 461 07 97
E-mail: info@miele.ie
Internet: www.miele.ie

Malaysia

Miele Sdn Bhd
Suite 12-2, Level 12
Menara Sapura Kencana
Petroleum
Solaris Dutamas No. 1
Jalan Dutamas 1
50480 Kuala Lumpur, Malaysia
Phone: +603-6209-0288
Fax: +603-6205-3768

New Zealand

Miele New Zealand Limited
IRD 98 463 631
8 College Hill
Freemans Bay, Auckland 1011
Tel: 0800 464 353
E-mail: customercare@miele.co.nz
Internet: www.miele.co.nz

Singapore

Miele Pte. Ltd.
29 Media Circle
#11-04 ALICE@Mediapolis
Singapore 138565
Tel: +65 6735 1191
Fax: +65 6735 1161
E-mail: info@miele.com.sg
Internet: www.miele.sg

South Africa

Miele (Pty) Ltd.
63 Peter Place, Bryanston 2194
P.O. Box 69434, Bryanston 2021
Tel: (011) 875 9000
Fax: (011) 875 9035
E-mail: info@miele.co.za
Internet: www.miele.co.za

Thailand

Miele Appliances Ltd.
BHIRAJ TOWER at EmQuartier
43rd Floor Unit 4301-4303
689 Sukhumvit Road
North Klongton Sub-District
Vadhana District
Bangkok 10110, Thailand

United Arab Emirates

Miele Appliances Ltd.
Showroom 1, Eiffel 1 Building
Sheikh Zayed Road, Umm Al Sheif
P.O. Box 114782 - Dubai
Tel. +971 4 3044 999
Fax. +971 4 3418 852
800-MIELE (64353)
E-mail: info@miele.ae
Website: www.miele.ae

Manufacturer: Miele & Cie. KG, Carl-Miele-Straße 29, 33332 Gütersloh, Germany

KWT 6722 i S

en-GB

M.-Nr. 12 712 650 / 00