

## G 5690 SCVi SL

Fully integrated dishwasher, 45 cm  
for optimum drying results thanks to AutoOpen drying.



- Perfect results in less than one hour - QuickPowerWash
- Save up to 50 % more electricity – hot water connection
- Everything completely dry – AutoOpen drying
- Very easy door opening and closing – ComfortClose
- Versatile and secure – ExtraComfort basket design

**A++**

EAN: 4002516316381 / material number: 11495960

<b>Construction type</b>	
Fully integrated dishwasher	•
45 cm dishwasher	•
<b>Design</b>	
Colour	Stainless steel/CleanSteel
Control panel version	Straight fascia
Control type	Programme selector button
Display	1-line text display
Display colour	Yellow
MultiLingua	•
<b>Convenience</b>	
Door closing aid	ComfortClose
Operating noise dB(A) re 1 pW	45
Time left display	•
Delay start up to 24 hours	•
In-operation indicator light	Control indicator
<b>Efficiency and sustainability</b>	
Energy efficiency class A+++ - D	A++
Drying class	A
Water consumption in the Automatic programme in l from	6,0
Water consumption in the ECO programme in l	7,7
Energy consumption in the ECO programme in kWh	0,69
Annual water consumption in the ECO programme in l	2.156
Annual energy consumption in ECO programme in kWh	197
Energy consumption in stand-by mode in W	0,3
EcoFeedback	•
Hot water connection	•
Half load	•
<b>Gentle treatment of crockery and glassware</b>	
Fresh water dishwasher	•
AutoOpen drying	•
SensorDry	•
Active condensation drying	•
BrilliantGlassCare	•
<b>Wash programmes</b>	
ECO	•
Automatic	•
Intensive 75 °C	•
Gentle	•
QuickPowerWash	•
ExtraQuiet 40 dB(A)	•
Appliance care	•
<b>Dishwashing options</b>	
Short	•
IntenseZone	•
Express	•
extra clean	•
extra dry	•

## G 5690 SCVi SL

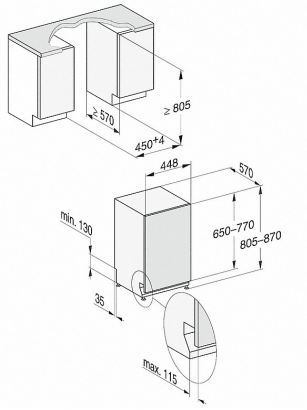
Fully integrated dishwasher, 45 cm  
for optimum drying results thanks to AutoOpen drying.



<b>Basket design</b>	
Cutlery loading	3D+ cutlery tray
Basket design	ExtraComfort 45 cm
Number of place settings	9
<b>Safety</b>	
Waterproof system	•
Safety lock	•
<b>Technical data</b>	
Niche width in mm	450
Niche height in mm	805
Niche depth in mm	570
Appliance width in mm	448
Appliance height in mm	805
Appliance depth in mm	570
Depth with door open in cm	116,5
Net weight in kg	40,8
Total rated load in kW	2,0
Voltage in V	230
Fuse rating in A	10
Number of phases	1
Length of water inlet hose in m	1,50
Length of water drain hose in m	1,50
Length of supply lead in m	1,80
Min. - max. front panel weight in kg	2,0

## G 5690 SCVi SL

Fully integrated dishwasher, 45 cm  
for optimum drying results thanks to AutoOpen drying.



G7000, fully integrated dishwasher, 45cm (installation drawing)

- 1) Plinth height 35-155 mm
- 2) Plinth height 100-220 mm
- 3) Appliance height max. 970 mm with plinth height conversion kit (Mat.-Nr. 6.394.761)