

# Operating and installation instructions

## Fridge-freezer



To avoid the risk of accidents or damage to the appliance it is **essential** to read these instructions before it is installed and used for the first time.

# Contents

---

<b>Warning and Safety instructions</b> .....	5
<b>Caring for the environment</b> .....	13
<b>How to save energy</b> .....	14
<b>Guide to the appliance</b> .....	16
Control panel.....	16
Display LEDs and symbols in the display .....	17
<b>Accessories</b> .....	19
Accessories supplied .....	19
Optional accessories.....	20
<b>Before using for the first time</b> .....	22
Before using for the first time.....	22
Cleaning the appliance.....	22
<b>Switching on and off</b> .....	23
Operating the appliance .....	23
Switching on.....	23
Switching off the whole appliance .....	24
Switching off for longer periods of time .....	24
<b>The correct temperature</b> .....	25
... in the refrigerator section .....	25
... in the freezer section .....	25
Temperature display .....	26
Setting the temperature.....	26
Temperature range .....	27
<b>Using Super cool, Super freeze and DynaCool</b> .....	28
Super freeze function ❄ .....	28
Super cool function ❄.....	28
DynaCool function 🌀.....	29
Switching a function on or off .....	29
<b>Temperature and door alarm</b> .....	30
Temperature alarm.....	30
Door alarm.....	30
<b>Selecting further settings</b> .....	31
Selecting further settings .....	31
Settings overview .....	31
Changing the temperature unit (°C/°F).....	31
Activating or deactivating the lock .....	32

<b>Storing food in the refrigerator section</b> .....	33
Different storage zones .....	33
Food which is not suitable for storage in the refrigerator section .....	33
When shopping for food.....	34
Storing food correctly.....	35
Fruit and vegetables.....	35
Protein-rich food.....	35
<b>Adjusting the interior fittings (refrigerator section)</b> .....	36
Moving the shelves.....	36
Adjusting the bottle rack .....	36
Removing fruit and vegetable drawers on rollers.....	37
Adjusting the door shelf / bottle shelf .....	37
Adjusting the bottle holder .....	38
Moving the charcoal filters .....	38
<b>Freezing and storing food</b> .....	39
Maximum freezing capacity .....	39
Freezing fresh food.....	39
Storing frozen food.....	39
Home freezing .....	40
Adjusting the interior fittings.....	43
Using accessories .....	44
<b>Defrosting</b> .....	45
<b>Cleaning and care</b> .....	46
Cleaning agents.....	46
Preparing the appliance for cleaning.....	47
Cleaning the interior and accessories .....	48
Cleaning the front of the appliance and the side panels.....	49
Cleaning the door seals.....	50
After cleaning .....	50
Replacing the charcoal filters.....	51
<b>Problem solving guide</b> .....	52
<b>Noises</b> .....	60
<b>After sales service</b> .....	61
Contact in case of malfunction .....	61
Guarantee.....	61
<b>Electrical connection</b> .....	62

# Contents

---

<b>Installation</b> .....	63
Side-by-side combinations .....	63
Location.....	63
Climate range .....	64
Ventilation .....	64
Door opening angle limiter .....	64
Fitting wall spacers supplied.....	65
Installation .....	65
Aligning the appliance .....	66
Building the appliance into a kitchen run .....	67
Appliance dimensions .....	68
<b>Changing the door hinging</b> .....	70
<b>Aligning the appliance doors</b> .....	82

## Warning and Safety instructions

This appliance complies with all statutory safety requirements. Please note that inappropriate use can lead to personal injury and damage to property.

To avoid the risk of accidents and damage to the appliance, please read these instructions carefully before using it for the first time. They contain important notes on installation, safety, use and maintenance.

Miele cannot be held liable for non-compliance with these instructions.

Keep these instructions in a safe place and ensure that new users are familiar with the contents. Pass them on to any future owner.

### Correct application

► This refrigeration appliance is intended for use in the home and in similar environments, for example

- in shops, offices and similar work settings
- by the guests in hotels, motels, bed & breakfasts and other typical home settings.

This refrigeration appliance is not intended for outdoor use.

► This appliance is intended for domestic use only for cooling and storing food and drink as well as for storing deep frozen food, freezing fresh food and for making ice.

Any other usage is not supported by the manufacturer and could be dangerous.

► This appliance is not suitable for storing and keeping cool medicines, blood plasma, laboratory preparations or other such materials or products. Incorrect use of the appliance for such purposes can cause deterioration of the items stored. The appliance is not suitable for use in areas where there is a risk of explosion. Miele cannot be held liable for damage resulting from improper or incorrect use of the appliance.

## Warning and Safety instructions

---

▶ The appliance can only be used by people with reduced physical, sensory or mental capabilities, or lack of experience and knowledge, if they are supervised whilst using it, or have been shown how to use it in a safe way and recognise and understand the consequences of incorrect operation.

### Safety with children

▶ Children under 8 years of age must be kept away from the appliance unless they are constantly supervised.

▶ Children 8 years and older may only use the appliance unsupervised if they have been shown how to use it in a safe way and recognise and understand the consequences of incorrect operation.

▶ Children must not be allowed to clean or maintain the appliance unsupervised.

▶ Please supervise children in the vicinity of the appliance and do not let them play with it.

▶ Danger of suffocation! Whilst playing, children could become entangled in packaging (such as plastic wrapping) or pull it over their head and suffocate. Keep packaging material away from children.

## Technical safety

► The coolant system is tested for leaks. This appliance complies with statutory safety requirements and the appropriate EU guidelines.



► This appliance contains the coolant Isobutane (R600a), a natural gas which is environmentally friendly. Although it is flammable, it does not damage the ozone layer and does not increase the greenhouse effect.

The use of this coolant has, however, led to a slight increase in the noise level of the appliance. In addition to the noise of the compressor, you might be able to hear the coolant flowing around the system. This is unavoidable, and does not have any adverse effect on the performance of the appliance.

Care must be taken during the transportation and setting up of the appliance that no parts of the cooling system are damaged. Leaking coolant can damage the eyes.

In the event of any damage:

- avoid naked flames or anything which creates a spark,
- disconnect the appliance from the mains electricity supply,
- ventilate the room where the appliance is located for several minutes, and
- contact your Miele dealer.

## Warning and Safety instructions

---

- ▶ The more coolant there is in a refrigeration appliance, the larger the room it should be installed in. In the event of a leakage, if the appliance is in a small room, there is the danger of combustible gases building up. For every 11 g of coolant at least 1 m<sup>3</sup> of room space is required. The amount of coolant in the appliance is stated on the data plate inside the appliance.
- ▶ To avoid the risk of damage to the appliance, make sure that the connection data (fuse rating, frequency and voltage) on the data plate corresponds to the household supply. Check that this is the case before connecting the appliance. Consult a qualified electrician if in any doubt.
- ▶ The electrical safety of this appliance can only be guaranteed when correctly earthed. It is essential that this standard safety requirement is met. If in any doubt please have the electrical installation tested by a qualified electrician.
- ▶ Reliable and safe operation of this appliance can only be assured if it has been connected to the mains electricity supply.
- ▶ If the electrical connection cable is faulty it must only be replaced by a Miele authorised service technician to protect the user from danger.
- ▶ Do not connect the appliance to the mains electrical supply by a multi-socket adapter or extension lead. These are a fire hazard and do not guarantee the required safety of the appliance.
- ▶ If moisture gets into electrical components or into the mains connection cable, it could cause a short circuit. Therefore, do not operate this refrigeration appliance in areas which are exposed to moisture (e.g in a garage or utility room).
- ▶ This appliance must not be used in a non-stationary location (e.g. on a ship).
- ▶ Do not use a damaged appliance. It could be dangerous. Check the appliance for visible signs of damage.



## Warning and Safety instructions

---

- ▶ The appliance must be isolated from the electricity supply during installation, maintenance and repair work.
- ▶ Unauthorised installation, maintenance and repairs can cause considerable danger for the user. Installation, maintenance and repairs must only be carried out by a Miele authorised technician.
- ▶ While the appliance is under warranty, repairs should only be undertaken by a Miele authorised service technician. Otherwise the warranty is invalidated.
- ▶ Miele can only guarantee the safety of the appliance when genuine original Miele replacement parts are used. Faulty components must only be replaced by Miele spare parts.
- ▶ In areas which may be subject to infestation by cockroaches or other vermin, pay particular attention to keeping the appliance and its surroundings clean at all times. Any damage caused by cockroaches or other vermin will not be covered by the warranty.

### Correct use

- ▶ The appliance is designed for use within a certain climate range (ambient temperatures), and should not be used outside this range. The climate range for your appliance is stated on the data plate inside the appliance. Installing it in a room with too low an ambient temperature, e.g. a garage, will lead to the appliance switching off for longer periods so that it cannot maintain the required temperature.
- ▶ Do not cover or block the air vents as this could impair the efficiency of the appliance, increase the electricity consumption and could cause damage to the components.
- ▶ If storing food which contains a lot of fat or oil in the appliance or the door, make sure that it does not come into contact with plastic components as this could cause stress cracks or break the plastic.

## Warning and Safety instructions

---

- ▶ Do not store explosive materials in the appliance or any products containing propellants (e.g. spray cans). Electrical components could cause flammable vapours to ignite. Danger of fire and explosion.
- ▶ Do not operate any electrical equipment (e.g. an electric ice cream maker) inside the appliance. Danger of sparking and explosion.
- ▶ Do not store cans or bottles containing carbonated drinks or liquids which could freeze in the freezer. The cans or bottles could explode. Danger of injury and damage to the appliance.
- ▶ When cooling drinks quickly in the freezer, make sure bottles are not left in for more than one hour; otherwise they could burst, causing injury or damage.
- ▶ Never handle frozen food or the metal parts of the appliance with wet hands. Your hands may freeze to the frozen food or to the metal. Danger of frost burn.
- ▶ Do not take ice cubes out with your bare hands and never place ice cubes or ice lollies in your mouth straight from the freezer. The very low temperature of the frozen ice or lollies can cause frost burn to the lips and tongue.
- ▶ Do not refreeze partially or fully defrosted food. Consume defrosted food as soon as possible, as it will lose its nutritional value and spoil if left for too long. Defrosted food may only be re-frozen after it has been cooked.
- ▶ Observe the manufacturer's "use-by" dates and storage instructions given on food to avoid the risk of food poisoning. Storage times will depend on several factors, including the freshness and quality of the food, as well as the temperature at which it is stored.
- ▶ Only use genuine original Miele accessories and spare parts with this appliance. Using accessories or spare parts from other manufacturers will invalidate the warranty, and Miele cannot accept liability.

# Warning and Safety instructions

---

## **Stainless steel appliances**

- ▶ Adhesives will damage the stainless steel surface and cause it to lose its dirt-repellent protective coating. Do not use sticky notes, transparent adhesive tape, masking tape or other types of adhesive on the stainless steel surface.
- ▶ The surface is susceptible to scratching. Even magnets can cause scratching.

## **Cleaning and care**

- ▶ Do not use any oils or grease on the door seals, as these will cause the seals to deteriorate and become porous with time.
- ▶ Do not use a steam cleaning appliance to clean or defrost this appliance.  
Steam could reach electrical components and cause a short circuit.
- ▶ Sharp edged or pointed objects will damage the evaporator, causing irreversible damage to the appliance. Do not use sharp edged or pointed objects to
  - remove frost and ice,
  - separate frozen foods or remove ice trays.
- ▶ Do not place electric heaters or candles in the appliance to defrost it. These can damage the plastic parts.
- ▶ Do not use defrosting sprays or de-icers, as they could contain substances which could damage the plastic parts or which might cause the build-up of gases and pose a danger to health.

## **Transporting the appliance**

- ▶ Always transport the appliance in an upright position and in its original transport packaging to avoid damage in transit.
- ▶ Danger of injury and damage. The appliance is very heavy and must be transported by two people.

# Warning and Safety instructions

---

## Disposal of your old appliance

▶ Before disposing of an old appliance, first make the door latch or lock unusable.

This way you will prevent children from accidentally locking themselves in and endangering their lives.

- ▶ Splashes of coolant can damage the eyes. Be careful not to damage any part of the pipework whilst awaiting disposal, e.g. by
- puncturing the coolant channels in the condenser,
  - bending any pipework, or
  - scratching the surface coating.

## Symbol on the compressor (depending on model)

This information is only relevant for recycling. In normal operation there is no risk.



▶ The oil in the compressor can be fatal if swallowed or if it penetrates the airways.

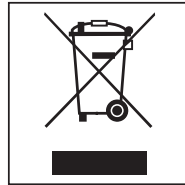
### Disposal of the packing material

The packaging is designed to protect the appliance from damage during transportation. The packaging materials used are selected from materials which are environmentally friendly for disposal and should be recycled.

Recycling the packaging reduces the use of raw materials in the manufacturing process and also reduces the amount of waste in landfill sites.

### Disposal of your old appliance

Electrical and electronic appliances often contain valuable materials. They also contain specific materials, compounds and components, which were essential for their correct function and safety. These could be hazardous to human health and to the environment if disposed of with your domestic waste or if handled incorrectly. Please do not, therefore, dispose of your old appliance with your household waste.



Please dispose of it at your local community waste collection / recycling centre for electrical and electronic appliances, or contact your Miele dealer for advice. You are also responsible (by law, depending on country) for deleting any personal data that may be stored on the appliance being disposed of.

Take care not to damage the pipework at the back of it before or during transportation to an authorised collection depot.

In this way, refrigerant in the pipework and oil in the compressor will be contained, and will not leak into the environment.

Please ensure that your old appliance presents no danger to children while being stored awaiting disposal. See “Warning and Safety instructions” for more information.

# How to save energy

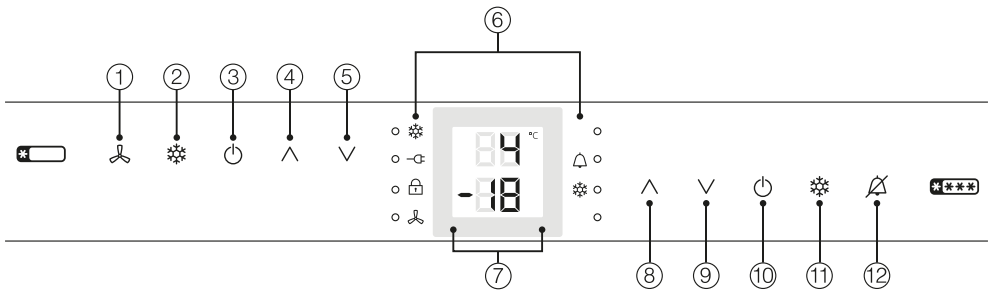
	<b>Normal energy consumption</b>	<b>Increased energy consumption</b>
<b>Installation / Maintenance</b>	In a ventilated room.	In an enclosed, unventilated room.
	Protected from direct sunlight.	In direct sunlight.
	Not near to a heat source (radiator, oven).	Near to a heat source (radiator, oven).
	Where the ideal ambient room temperature is approx. 20 °C.	Where the ambient room temperature is above 25 °C.
	Ventilation gaps uncovered and dusted regularly.	Ventilation gaps covered or dusty.
	Compressor and metal grille (heat exchanger) at the back of the appliance dusted at least once a year.	Dust build-up on the compressor and metal grille (heat exchanger).
<b>Temperature setting</b>	Refrigerator section 4 to 5 °C	The lower the temperature, the higher the energy consumption.
	Freezer section -18 °C	

## How to save energy

	<b>Normal energy consumption</b>	<b>Increased energy consumption</b>
<b>Use</b>	Drawers and shelves arranged as they were when the appliance was delivered.	
	Only open the door when necessary and for as short a time as possible. Store food in an organised way.	Frequent opening of the door for long periods will cause a loss of coldness. The appliance will cool down and the compressor will run for longer periods.
	Take an insulated cool bag when shopping and load food in the appliance as soon as possible. Replace any food removed as quickly as possible, before it begins to thaw. Allow hot food and drinks to cool down before placing them in the appliance.	Hot food or food at room temperature raises the temperature inside the appliance. The appliance will cool down and the compressor will run for longer periods.
	Store food covered or packaged.	The evaporation or condensation of liquids will cause a loss of coldness.
	Place frozen food in the refrigerator to defrost.	
	Do not over-fill the appliance to allow air to circulate.	Poor air circulation will cause a loss of coldness.

# Guide to the appliance

## Control panel



### Sensor controls for refrigerator section

- ① For switching the DynaCool function on and off
- ② For switching the SuperCool function on and off
- ③ On sensor for the whole appliance/  
Off sensor for the refrigerator section
- ④ For setting the temperature  
(^ for warmer)
- ⑤ For setting the temperature  
(v for colder)

⑥ Display LEDs (see “Display LEDs” table for explanation)

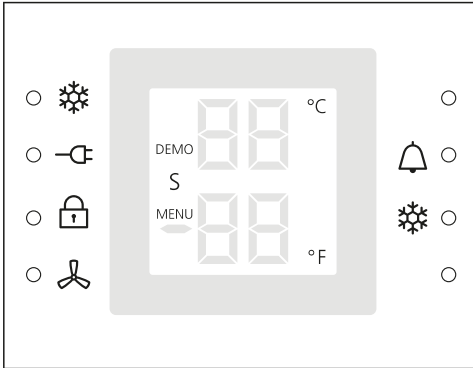
⑦ Display with temperature and symbols (symbols only visible during use; see “Symbols in the display” table for explanation)

### Sensor controls for the freezer section

- ⑧ For setting the temperature  
(^ for warmer)
- ⑨ For setting the temperature  
(v for colder)
- ⑩ For switching the whole appliance on and off
- ⑪ For switching the Super freeze function on and off
- ⑫ For switching the door or temperature alarm off in the event of a power cut



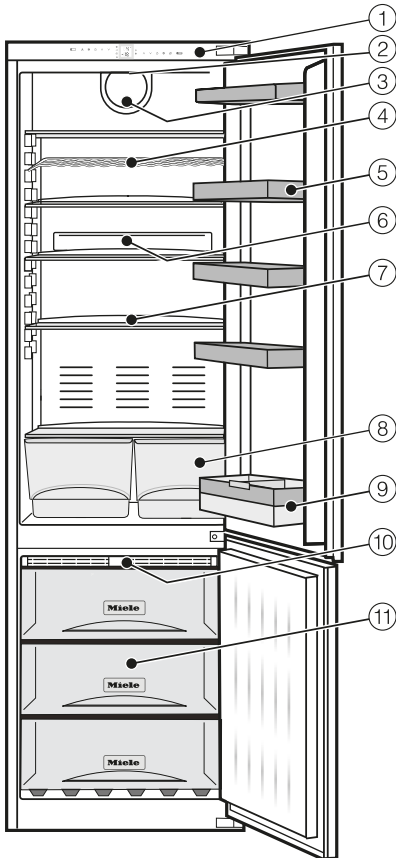
## Display LEDs and symbols in the display



Display LED		Meaning
	Super cool symbol (on the left)/ Super freeze symbol (on the right)	Function can be selected depending on section (see “Using Super cool, Super freeze and DynaCool”).
	Power failure	Flashes during a power cut
	Safety lock	Lock to prevent the appliance from being switched off by mistake
	DynaCool	Function can be selected (see “Using Super cool, Super freeze and DynaCool”).
	Alarm	Flashes when the door or temperature alarm is triggered

Message/symbol in the display		Meaning
DEMO	Demo mode	Demo mode has been activated (see “Problem solving guide - Display warnings”).
MENU	Settings mode	Lights up when settings are being selected
°C	Temperature unit	The factory default setting is °C; this can be changed to °F

# Guide to the appliance



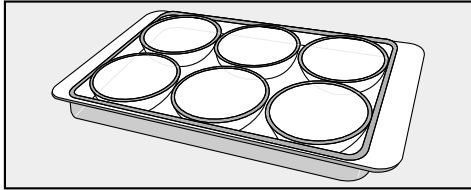
- ① Control panel with display
- ② Interior lighting
- ③ Fan
- ④ Bottle rack
- ⑤ Door shelf / Egg tray
- ⑥ Holder with active charcoal filter (Active AirClean)
- ⑦ Adjustable shelf
- ⑧ Fruit and vegetable containers
- ⑨ Bottle shelf with bottle holder
- ⑩ Frost Free module
- ⑪ Freezer drawers

For easier installation there are transport handles on the back at the top and transport wheels underneath the appliance.

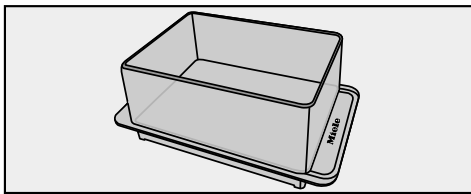
This drawing is for illustration purposes only.

## Accessories supplied

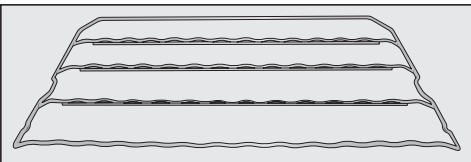
### Egg tray



### Butter dish

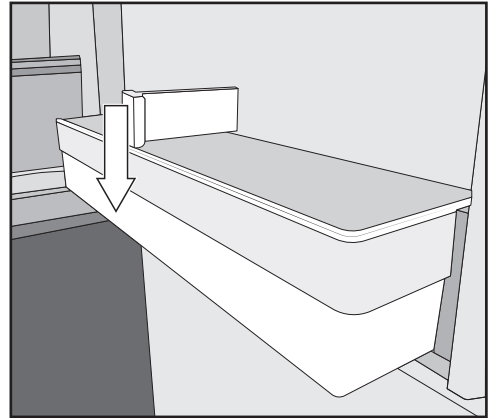


### Bottle rack



Bottles can be stored horizontally using the bottle rack to save space. The bottle rack can be placed at different positions in the refrigerator section.

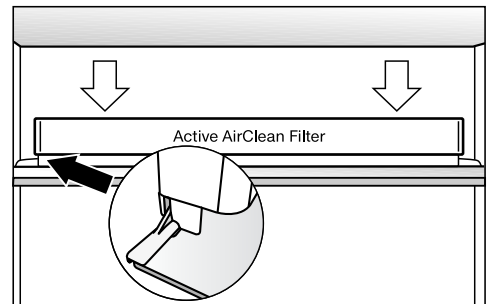
### Bottle holder



Attach the bottle holder to the rear edge of the bottle shelf.

The bottle holder can be moved left or right. This way the bottles will be more secure when the appliance door is opened and closed.

### KKF-FF Active AirClean charcoal filters with holder

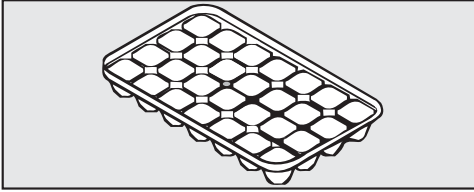


The charcoal filters neutralise unpleasant odours in the refrigerator section for improved air quality.

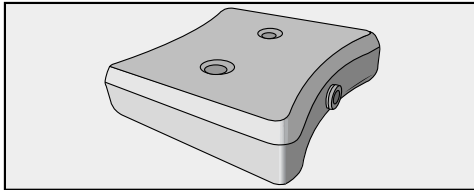
# Accessories

---

## Ice cube tray



## Cool pack



The cool pack prevents the temperature in the freezer rising too quickly in the event of an interruption to the power supply. This can help prolong the storage time.

The cool pack will be at its most effective after it has been in the freezer for approx. 24 hours.

## Optional accessories

A range of useful Miele accessories and care products are available for your appliance.

### Stainless steel care

The **stainless steel cleaning cloth** is impregnated with stainless steel conditioner for optimum cleaning and protection.

Each application of the **stainless steel conditioner** (supplied in a bottle) forms a water and dirt repellent protective coating. It gently removes water marks, fingerprints and other dirt for a uniformly shiny surface.

### Multi-purpose microfibre cloth

The microfibre cloth is suitable for removing fingerprints and light soiling from surfaces such as stainless steel, glass, plastic and chrome without the use of chemicals.

### MicroCloth Kit

The MicroCloth Kit contains a universal cloth, a glass cloth and a polishing cloth.

These cloths are extremely rip-proof and hard-wearing. Thanks to very fine microfibres these cloths achieve excellent cleaning results.

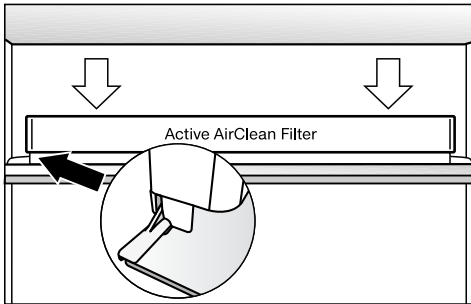
## **KKF-RF**

### **Active AirClean replacement filters**

Replacement filters to fit the Active AirClean holder are available. We recommend replacing the charcoal filters every 6 months.

### **KKF-FF Active AirClean charcoal filters with holder**

Charcoal filters neutralise unpleasant odours in the refrigerator section for improved air quality.



The charcoal filter holder clips onto the protective strip at the back of the shelf and can be moved as necessary.

Accessories are available to order from your Miele dealer.

# Before using for the first time

---

## Before using for the first time

### Packaging material

- Remove all packaging material from the inside of the appliance.

### Protective foil

The stainless steel trim to the interior shelves and the door shelves has a layer of protective foil to prevent damage during transportation. The appliance doors, and side panels where applicable, have a protective foil.

- Do not remove the foil until the appliance has been positioned in its final location.

## Cleaning the appliance

Please refer to the relevant instructions in “Cleaning and care”.

Important! Each time it is used, the Miele stainless steel conditioning agent forms a water-repellant and dirt-repellant protective coating.

- Treat the stainless steel trim and frames inside the appliance with the Miele stainless steel conditioning agent immediately after removing the protective foil (see “Guide to the appliance – Optional accessories”).
- Clean the inside of the appliance and the accessories.


## Operating the appliance

A light touch of the finger on the sensors is all that is required to operate this appliance.

## Switching on


The freezer section and the refrigerator section can be switched on at the same time using the two On/Off controls.

To enable the temperature to get sufficiently cold inside the appliance, allow the appliance to run for approx. 3-5 hours (depending on ambient temperature) before placing food in it. Do not place food in the freezer until it has reached the required coldness (at least  $-18\text{ }^{\circ}\text{C}$ ).

- Touch one of the two  On/Off controls until the temperature display lights up.

The appliance will be switched on and the interior lighting will come on in the refrigerator section.

The temperature display for the refrigerator section indicates the temperature in the refrigerator section.

- If the temperature in the freezer section is above  $0\text{ }^{\circ}\text{C}$ , dashes will flash in the temperature display for the freezer section.
- As soon as the temperature drops below  $0\text{ }^{\circ}\text{C}$  the temperature in the freezer section will flash in the display.
- The  display LED will flash until the set temperature has been reached in the freezer section.


The appliance will gradually reach the pre-set temperatures:

- Temperature in the refrigerator section =  $2\text{ }^{\circ}\text{C}$
- Temperature in the freezer section =  $-18\text{ }^{\circ}\text{C}$

# Switching on and off

---


## Switching off the whole appliance

- Touch the right-hand  On/Off control until all of the indicators go out.

If this does not happen, the safety lock is still activated (see "Selecting further settings - Activating and deactivating the safety lock"). The refrigerator section interior lighting will go out and the cooling process will be switched off.


## Switching off the refrigerator section separately

The refrigerator section can be switched off without having to switch off the freezer section. The freezer section cannot be turned off separately.

- Touch the left-hand  On/Off control until the temperature display for the refrigerator section goes off.


If this does not happen, the safety lock is still activated (see "Selecting further settings - Activating and deactivating the safety lock"). The refrigerator section is switched off. The temperature in the freezer section will still be shown in the display. The refrigerator section interior lighting will go out.

## Switching the refrigerator section on separately (if previously switched off)

- Touch the left-hand On/Off control  to switch on the refrigerator section.

The refrigerator section will be switched on and will start to cool down. It will reach the set temperature. The interior lighting will come on when the refrigerator section door is opened.

## Switching off for longer periods of time

 If, during a long absence, the appliance is switched off but not cleaned and the door(s) left shut, there is a danger of mould building up inside the appliance. It is essential to clean the appliance.

If the appliance is not going to be used for a longer period of time, e.g. whilst on holiday:

- switch the appliance off,
- disconnect it from the mains,
- clean the appliance and
- leave the door(s) ajar to air the appliance and avoid odours building up inside the appliance.

It is also advisable to carry out the last two instructions if you are switching the refrigerator section off for a longer period of time.



## The correct temperature

---

It is very important to set the correct temperature for storing food in the appliance. Micro-organisms will cause food which is not stored at the correct temperature to deteriorate rapidly. Temperature influences the growth rate of these micro-organisms. Reducing the temperature reduces their growth rate.

The temperature in the appliance will rise:

- the more often the door is opened and the longer it is kept open,
- the more food that is stored in it,
- the warmer the food is which is being put into it,
- the higher the ambient temperature surrounding the appliance. The appliance is designed for use within specific ambient temperatures (climate range). Do not use in ambient temperatures for which it is not designed.

### . . . in the refrigerator section

We recommend a temperature of **4 °C** in the refrigerator section.

### . . . in the freezer section

To freeze fresh food and to store frozen food for a long time, a temperature of **-18 °C** is required. At this temperature the growth of micro-organisms is generally halted. As soon as the temperature rises above -10 °C, the micro-organisms become active in the food again so that it cannot be kept as long. For this reason, partially defrosted or fully defrosted food must not be re-frozen. Food may be re-frozen once it has been cooked, as the high temperatures achieved when cooking destroy most micro-organisms.

# The correct temperature

---

## Temperature display

In normal operation the upper temperature display shows the **average, current temperature in the refrigerator section** and the lower temperature display **the highest temperature in the freezer section**.

Depending on the ambient temperature and the temperature setting, it can take the appliance a few hours to reach the temperature required and for this temperature to then be shown as a constant temperature in the display.



If the temperature in the freezer remains above  $-18\text{ }^{\circ}\text{C}$  for a long time, check that the frozen food has not started to defrost.

If it has, check that the food is safe to use and if it is, then use it as soon as possible or cook it before freezing it again.

## Setting the temperature

- Use the  $\wedge$  and  $\vee$  arrow sensors to set the temperature higher or lower.

The following information shows in the display while the sensors are being touched:

- Touching a sensor once: the **last temperature selected** flashes.
- Each subsequent touch of the sensor: adjusts the temperature shown in  $1\text{ }^{\circ}\text{C}$  increments.
- Keeping a finger on the sensor changes the temperature continuously.

Approximately 5 seconds after the last time a sensor has been touched, the **current** temperature inside the appliance is automatically shown.

## Temperature range

- The temperature in the refrigerator section can be adjusted from 2 °C to 7 °C.
- The temperature in the freezer section can be adjusted from -14 °C to -26 °C.

**Tip:** If you have adjusted the temperature, **wait for approx. 6 hours if the appliance is not very full and for approx. 24 hours if the appliance is full** before checking the temperature display, as it will take this long for the appliance to give an accurate reading.

- If, after this time, the temperature is still too high or too low, you will need to adjust it again.

# Using Super cool, Super freeze and DynaCool

---

The following functions are available depending on section:

- **Refrigerator section**  
Super cool ❄️ and DynaCool 🔄
- **Freezer section**  
Super freeze ❄️

See the following pages for more information on these functions and how to switch them on.

## Super freeze function ❄️

For optimum results switch on the Super freeze function before putting fresh food into the freezer section. This helps food to freeze quickly and retain its nutrients, vitamins, flavours and appearance.

### Exceptions:

- when placing food in the freezer that is already frozen.
- when freezing up to 2 kg fresh food daily.

The Super freeze function should be switched on **6 hours before placing food in the freezer section.**

When freezing the **maximum amount of food** the Super freeze function should be switched on **24 hours beforehand.**

When Super freeze is switched on, the appliance will work at full power to lower the temperature in the appliance.

The Super freeze function will switch itself off automatically after approx. 65 hours. The quantity of fresh food placed in the freezer will determine the duration before the Super freeze function turns off.

**Tip:** To save energy, you can manually switch off Super freeze once the freezer section reaches a **constant** temperature of -18 °C or colder. Check the temperature in the freezer section.

When Super freeze is switched off, the appliance will run at normal power again.

## Super cool function ❄️

The Super cool function can be used to rapidly reduce the temperature in the refrigerator section to its lowest setting (depending on the room temperature).

**Tip:** Super cool is particularly recommended for the rapid chilling of large amounts of fresh food or drink.

When Super cool is switched on, the appliance will work at full power to lower the temperature in the appliance.

It switches itself off automatically after approx. 12 hours.

**Tip:** To save energy, Super cool can be switched off once food and drinks are sufficiently chilled.

When Super cool is switched off the appliance reverts to working at normal power.

# Using Super cool, Super freeze and DynaCool

## DynaCool function

When the DynaCool function is not switched on, the natural circulation of air in the appliance will cause different temperature zones in the refrigerator as the cold, heavy air will sink to the lowest section of the appliance. You should bear this in mind when placing food in the appliance (see “Storing food in the refrigerator section”).

However, if you are placing a large amount of food in the refrigerator at any one time, (e.g. after the weekly shop) it is a good idea to switch DynaCool on. This way you can distribute the temperature inside the appliance to all areas more evenly so that all the food will be chilled to about the same degree.

The temperature is set as normal.

DynaCool should also be selected when:

- the ambient temperature in the room is high (above approx. 30 °C), and
- the room humidity level is high.

With DynaCool switched on, the fan is ready: when the compressor switches on, the fan also switches on automatically.

**Tip:** Because DynaCool requires more energy, you should switch it off under normal conditions.

To save energy, the fan switches off automatically whilst the door is open.

## Switching a function on or off

- Touch the sensor for the function you want.
  - The display LED next to the corresponding symbol will light up and the function will be switched on.
  - The display LED next to the corresponding symbol will go out and the function will be switched off.


After an interruption to the power supply any function that was previously switched on will be switched off.

# Temperature and door alarm

---

The appliance has a warning system which ensures that the temperature in the freezer cannot rise unnoticed and to avoid energy being wasted if a door is left open.


## Temperature alarm

An alarm will sound if the temperature in the freezer section becomes too warm. The  display LED flashes.

Audible and visual signals will be activated, for example,

- when the appliance is switched on if the temperature in the appliance differs greatly from the set temperature,
- if a lot of room air enters the freezer when food is being loaded, rearranged or taken out,
- when freezing large amounts of food at once,
- when freezing fresh food which is still warm,
- in the event of a power cut,
- if the appliance has a fault.

The alarm will stop and the display will go out as soon as the reason for the alarm has been resolved.


 If the temperature in the freezer remains above  $-18\text{ }^{\circ}\text{C}$  for a long time, check that the frozen food has not started to defrost.

If it has, check that the food is safe to use and if it is, then use it as soon as possible or cook it before freezing it again.

## Switching the temperature alarm off early

If the noise disturbs you, you can switch the alarm off if you wish.

- Touch the  sensor.

The alarm will stop. The  display LED will continue to flash until the cause of the alarm has been resolved.

## Door alarm

The appliance is fitted with a warning system to avoid increased energy consumption and food becoming warm if the door is left open.

An alarm will sound if the appliance door has been left open for longer than 60 seconds.

The alarm will stop and the display will go out as soon as the door is closed.

## Switching the door alarm off early

If the noise disturbs you, you can switch the alarm off if you wish.

- Touch the  sensor.

The alarm will stop.

### Selecting further settings

In Settings mode certain settings can be adjusted and functions selected, allowing you to adjust the appliance to suit your requirements.

See the following pages for more information on these settings.

The door alarm or any other alarm are automatically suppressed when you are in Settings mode. No alarm will sound. Exception: If there is an appliance fault (F+numbers), Settings mode will be exited automatically. The fault code will be shown in the display and an alarm will sound (see “Problem solving guide - - Display warnings”).

The freezer section control panel (to the right-hand side of the display) must be used to apply the desired settings.

### Settings overview

Setting display brightness	<i>h</i>
Changing the temperature unit (°C/°F)	<i>o</i>
Activating or deactivating the lock	<i>c</i>

### Setting display brightness

The display brightness can be adjusted to suit lighting conditions in the room.

The brightness can be adjusted in stages from *h 0* (lighting off) to *h 5* (maximum brightness). The brightness is set to *h5* at the factory.

- Touch the ❄ Super freeze control to the right-hand side of the display for approx. 5 seconds.

MENU lights up in the display and 5 flashes.

Settings mode is now active.

- Touch one of the sensor controls for setting the temperature ( $\wedge$  and  $\vee$ ) repeatedly until *h* appears in the display.
- Touch the ❄ Super freeze control to confirm your selection.

The most recently selected setting will appear in the display.

- By touching one of the sensor controls for setting the temperature ( $\wedge$  and  $\vee$ ), you can then select the desired level of brightness for the display. The display will light up at the level of brightness you just selected.
- Touch the ❄ Super freeze control to confirm your selection.

MENU lights up in the display and *h* flashes.

- To leave Settings mode touch the On/Off control  $\odot$ .

The brightness will now be set to the new level.

### Changing the temperature unit (°C/°F)

The temperature can be displayed in either Fahrenheit (°F) or Celsius (°C).

- Touch the ❄ Super freeze control to the right-hand side of the display for approx. 5 seconds.

MENU lights up in the display and 5 flashes.

Settings mode is now active.

## Selecting further settings

---

- Touch one of the sensor controls for setting the temperature ( $\wedge$  and  $\vee$ ) repeatedly until  $^{\circ}$  appears in the display.
- Touch the  $\text{❄}$  Super freeze control to confirm your selection.

Available settings:

- $^{\circ}\text{C}$ : degrees Celsius
- $^{\circ}\text{F}$ : degrees Fahrenheit

If  $^{\circ}\text{C}$  was previously set,  $^{\circ}\text{F}$  is now offered.

If  $^{\circ}\text{F}$  was previously set,  $^{\circ}\text{C}$  is now offered.

- Touch the SuperFreeze control  $\text{❄}$  to confirm the setting.

MENU lights up in the display and  $\text{a}$  flashes.

- To leave Settings mode touch the On/Off control  $\text{⏻}$ .

The desired temperature unit will be set.

## Activating or deactivating the lock

The safety lock function can be activated to prevent the appliance being switched off by mistake.

- Touch the  $\text{❄}$  Super freeze control to the right-hand side of the display for approx. 5 seconds.

MENU lights up in the display and 5 flashes.

Settings mode is now active.

- Touch one of the sensor controls for setting the temperature  $\wedge$  and  $\vee$  repeatedly until  $\text{c}$  appears in the display.

- Touch the  $\text{❄}$  Super freeze control to confirm your selection.

Available settings:

- $\text{cU}$ : The safety lock is deactivated
- $\text{cI}$ : The safety lock is activated

If the safety lock was previously deactivated,  $\text{cI}$  is offered.

If the safety lock was previously activated,  $\text{cU}$  is offered.

- Touch the SuperFreeze control  $\text{❄}$  to confirm the setting.


MENU lights up in the display and  $\text{c}$  flashes.


- To leave Settings mode touch the On/Off control  $\text{⏻}$ .

The  $\text{⏻}$  display LED lights up when the safety lock is activated.



# Storing food in the refrigerator section

 Danger of explosion.  
Do not store explosive materials in the appliance or any products containing propellants (e.g. spray cans).

 If storing food which contains a lot of fat or oil in the appliance or the appliance door, make sure that it does not come into contact with plastic components as this could cause stress cracks or break the plastic.  
Make sure that no oil or grease leaks onto the plastic parts of the appliance. This can cause the plastic to crack and break.

## Different storage zones

Due to natural air circulation there are different temperature zones in the refrigerator section.

Cold, heavy air sinks to the lowest section of the appliance. Make use of the different temperature zones when placing food in the appliance.

To allow air to circulate efficiently, do not pack food too closely together in the refrigerator.

Do not cover the fan in the rear wall of the refrigerator, as this is essential for keeping the appliance cool.

Food must not touch the back of the refrigerator section as it may freeze to the back wall.

This appliance has Dynamic cooling, which helps to keep an even temperature when the fan is running, making the difference between the various zones less pronounced.

## Warmest area

The warmest area in the refrigerator section is at the top in the front area and in the door. Use this for storing butter and cheese.

## Coldest area

The coldest area in the refrigerator section is directly above the fruit and vegetable drawers and at the back.

Use these areas to store all delicate and highly perishable food, e.g.

- fish, meat, poultry,
- cold cuts, ready meals,
- dishes or baked goods containing eggs or cream,
- fresh dough, cake mixtures, pizza or quiche dough,
- soft cheese and other dairy products,
- pre-packed vegetables and other fresh food with a label stating it should be kept at a temperature of approx. 4 °C.

## Food which is not suitable for storage in the refrigerator section

Not all food is suitable for refrigeration at temperatures below 5°C as some food is sensitive to cold. The appearance, consistency, taste and / or

## Storing food in the refrigerator section

---

the vitamin content of certain types of food can be adversely affected by being stored in too cold a place.

Food which does not tolerate cold temperatures includes:

- Pineapples, avocados, bananas, pomegranates, mangoes, melons, papayas, passion fruit, citrus fruits (such as lemons, oranges, mandarins, grapefruit),
- Fruit which is not yet ripe
- Aubergines/eggplant, cucumbers, potatoes, peppers/capsicum, tomatoes, courgettes/zucchini,
- Some hard cheeses, e.g. Parmesan.

### When shopping for food

The freshness of food when first placed in the appliance is the most important factor in determining how long it stays fresh, and how long it can be kept in the appliance.

Always observe the use-by date and the recommended storage temperature. Time out of the refrigerator should be kept to a minimum, for example, when transporting food in a hot car.

**Tip:** Take a cool bag with you when shopping and on return place food into the appliance immediately.

# Storing food in the refrigerator section

---

## Storing food correctly

Ensure that food stored in the refrigerator section is **covered or wrapped properly**. This will prevent food odours from affecting other foods, food from drying out, and also any cross-contamination of bacteria. This is particularly important when storing meat products.

By ensuring that the temperature settings are correct and by taking appropriate hygiene measures you can prolong the storage life of your food considerably.

## Fruit and vegetables

Fruit and vegetables can be stored loose in the fruit and vegetable drawers.

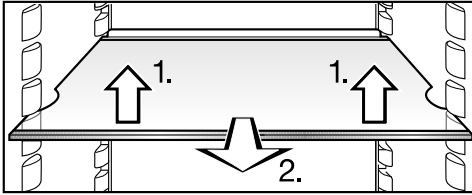
## Protein-rich food

Please note that food rich in protein deteriorates faster than other types of food. Shellfish, for example, deteriorates faster than fish, and fish deteriorates faster than meat.

# Adjusting the interior fittings (refrigerator section)

## Moving the shelves

The shelves can be adjusted according to the height of the food.

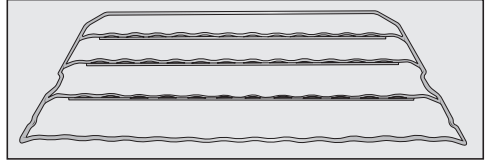


- Raise the shelf, and pull it forwards slightly until the notch at the side is in line with the shelf support. It can then be raised or lowered to the required level.

The raised edge on the protective strip at the back must face upwards to prevent food from touching the back of the appliance and freezing to it.

Stoppers prevent the shelves from being dislodged by mistake.

## Adjusting the bottle rack



The bottle rack can be placed at different positions in the appliance.

- Raise the bottle rack slightly at the front, and pull it forwards a little until the notch at the side is in line with the shelf support. It can then be raised or lowered to the required level.

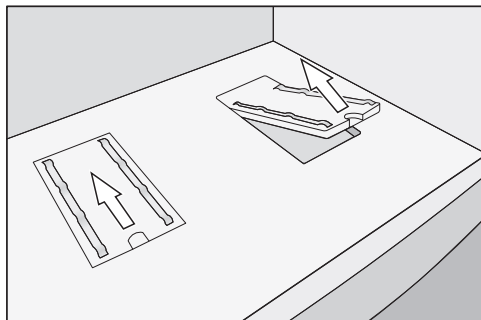
The rear rail must face upwards to prevent bottles from touching the back of the appliance.

Stoppers prevent the bottle rack from being dislodged by mistake.

## Adjusting the interior fittings (refrigerator section)

### Removing fruit and vegetable drawers on rollers

The fruit and vegetable drawers are on rollers and can be completely pulled out for loading and emptying.



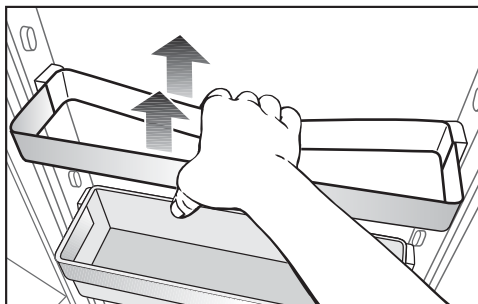
The roller plates can be removed for cleaning.

### Adjusting the door shelf / bottle shelf

#### Danger of injury!

Only move door shelves / bottle shelves when they are empty.

- Lift the clip-on tray/shelf up and out of the stainless steel frame to remove.
- Push the stainless steel frame up and remove it by pulling it forward.
- Replace the stainless steel frame in the required position. Ensure that it is securely pushed back in the correct position.



- Some stainless steel frames are easier to remove and replace when you take hold of them together with the bar at the back and remove by pulling upward.
- Replace the clip-on container in the stainless steel frame.

You can remove the clip-on containers completely from the door shelves to fill and empty them and then replace them. The clip-on containers can also be taken to the table with the food still in them and used as a serving tray.

# Adjusting the interior fittings (refrigerator section)

## Adjusting the bottle holder

The bottle holder can be moved left or right. This way the bottles will be more secure when the appliance door is opened and closed.

The bottle holder can be removed completely (for example for cleaning):

- To do this, push the front edge of the bottle holder up and disengage it.

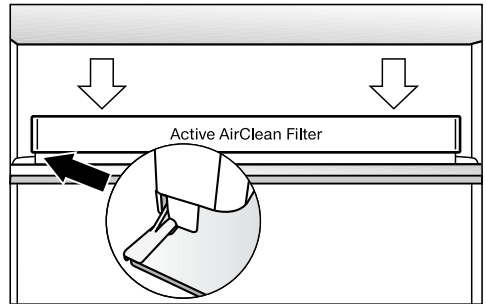
## Moving the charcoal filters

With very strong smelling food (e.g. very ripe cheese):

- Place the holder with the charcoal filters on the shelf where this food is kept.
- Change the charcoal filters earlier if necessary.
- Use more charcoal filters (with holders) in the appliance (see “Accessories - Optional accessories”).

The holder for the charcoal filters sits on the protective strip at the back of the shelf.

- Pull the charcoal filter holder upwards to remove it from the protective strip.



- Refit it on the protective strip of the shelf you wish to use it on.

## Maximum freezing capacity

To ensure that fresh food placed in the freezer freezes through to the core as quickly as possible, the maximum freezing capacity must not be exceeded. The maximum freezing capacity for freezing within a 24-hour period is given on the data plate: "Freezing capacity ....kg/24 hrs".

The maximum freezing capacity given on the data plate has been calculated according to DIN EN ISO 15502 Standard.

## Freezing fresh food

Fresh food should be frozen as quickly as possible. This way the nutritional value of the food, its vitamin content, appearance and taste are not impaired.


Food which takes a long time to freeze will lose more water from its cells, which then shrink. During the defrosting process, only some of this water is reabsorbed by the cells; the rest collects around the food.

If food is frozen quickly, the cells have less time to lose moisture, so they shrink less. As there is not so much moisture loss, it is easier for the food to reabsorb it during the defrosting process, and very little water collects around the defrosted food.

## Storing frozen food

When buying frozen food to store in your freezer, check

- that the packaging is not damaged,
  - the use-by date,
  - the temperature at which the frozen food is being stored in the shop. The length of time it can be kept is reduced if it has been stored at a temperature warmer than  $-18^{\circ}\text{C}$ .
- Buy frozen food once you have finished the rest of your shopping, and wrap it in newspaper or use a cool bag or cool box to transport it.
  - Store it in the freezer as soon as possible.

 Never re-freeze partially or fully defrosted food. Consume defrosted food as soon as possible as it will lose its nutritional value and spoil if left for too long. Defrosted food may only be re-frozen after it has been cooked.

# Freezing and storing food

---

## Home freezing

Only freeze fresh food which is in a good condition.

### Hints on home freezing

- The following types of food **are suitable** for freezing:  
Fresh meat, poultry, game, fish, vegetables, herbs, fresh fruit, dairy products, cakes, leftovers, egg yolks, egg whites and a range of pre-cooked meals.
- The following types of food **are not suitable** for freezing:  
Grapes, lettuce, radishes, soured cream, mayonnaise, eggs in their shells, onions, whole raw apples and pears.
- To retain colour, taste, aroma and vitamin C, vegetables should be blanched before they are frozen. To do so place them portion by portion into boiling water for 2–3 minutes. Remove, and plunge into ice-cold water to cool quickly. Drain and pack ready for freezing.
- Lean meat freezes better than fatty meat, and can be stored for considerably longer.
- Separate chops, steaks, cutlets etc. with a sheet of plastic freezer film. This prevents them from freezing together in a block.
- Do not salt or season raw food or blanched vegetables before freezing. Cooked food should only be lightly salted and seasoned. Some herbs intensify the taste of food when frozen.

- Placing hot foods or drinks in the freezer causes food that is already frozen to partially thaw and increases energy consumption. Allow hot foods and drinks to cool down before placing them in the freezer.

### Packaging food for freezing

- Freeze food in portions.

### Suitable packing material

- Plastic freezer bags
- Tubular polythene freezer bags
- Aluminum foil
- Freezer containers

### Unsuitable packing material

- Wrapping paper
- Greaseproof paper
- Cellophane
- Bin bags
- Plastic carrier bags
- Expel as much air as possible from the packaging.
- Close the packaging tightly with
  - Rubber bands
  - Plastic clips
  - String
  - Freezer tape

**Tip:** Freezer bags may also be sealed using home heat sealing kits.

- Make a note of the contents and the date of freezing on the packaging.




# Freezing and storing food

## Before placing food in the appliance

- When freezing more than 2 kg of fresh food, switch on the Super freeze function for some time before placing the food in the freezer (see “Using Super cool, Super freeze and DynaCool - Super freeze function”).

This helps create a cold reserve in food which is already stored in the freezer.

## Placing food in the freezer

 The following maximum loading weights must not be exceeded:  
– freezer drawer = 25 kg  
– glass cold plate = 35 kg

Unfrozen food should not touch frozen food as this will cause frozen food to begin to thaw.

- Make sure that the packaging and containers are dry to prevent them sticking together when frozen.

## - Freezing small quantities of food

Place the food in the upper freezer drawers.

- Place the food flat in the bottom of the freezer drawers so that it freezes through to the core as quickly as possible.

## - Freezing the maximum amount of food (see data plate)

Ensure ventilation slots at the back of the freezer section are always free from obstruction.

If the ventilation slots are blocked the cooling performance will decrease and energy consumption will increase.

Place food on the glass plate in such a way that the ventilation slots are not blocked.

- Remove the upper freezer drawers.
- Place the food flat on the upper glass cold plates so that it freezes through to the core as quickly as possible.
- Once the freezing process is complete, place the frozen food in the freezer drawer and push it back in.

# Freezing and storing food

---

## Storage time for frozen food

The storage life of food is very variable, even at a constant temperature of  $-18\text{ }^{\circ}\text{C}$ . Decomposition processes also take place in frozen food, albeit at a very reduced speed. For example fat can become rancid from contact with oxygen in the air. This is why lean meat can be stored approx. twice as long as fatty meat.

The storage times quoted are guide values for the storage life of different food groups in the freezer section.

Food group	Storage time (Months)
Ice cream	2 to 6
Bread, baked goods	2 to 6
Cheese	2 to 4
Fish, oily	1 to 2
Fish, lean	1 to 5
Veal sausage	1 to 3
Game	1 to 12
Poultry, beef	2 to 10
Vegetables, fruit	6 to 18
Herbs	6 to 10

Where the storage time given on the packaging differs, follow the advice on the packaging.

## Defrosting frozen food

Frozen food can be defrosted in different ways:


- in a microwave oven
- in an oven using “Fan heat” or the “Defrost” setting
- at room temperature
- in the refrigerator section (the cold given off by the frozen food helps to keep the other food cold)
- in a steam oven

**Flat pieces** of partially thawed fish can be placed directly into a hot frying pan.

**Meat and poultry** It is particularly important to observe food hygiene rules when defrosting poultry. Do not use the liquid from defrosted poultry. Pour it away and wash the container it was in, the sink and your hands. Danger of salmonella poisoning. Ensure that meat and fish (e.g. mince, chicken, fish fillets) do not come into contact with other foods while defrosting. Catch the liquid from defrosting and dispose of it carefully.

**Fruit** should be defrosted at room temperature in its packaging, or in a covered bowl.

**Most vegetables** can be cooked while still frozen. Just put straight into boiling water or hot fat. The cooking time is slightly less than that of fresh vegetables due to changes in the cell structure.

 Never re-freeze partially or fully defrosted food. Defrosted food may only be re-frozen after it has been cooked.

## Cooling drinks quickly

To cool drinks quickly, place them in the refrigerator section and switch on the Super cool function.

When cooling drinks quickly in the freezer, make sure bottles are not left in for **more than one hour**. Otherwise they could burst.

## Adjusting the interior fittings

### Removing the drawers and glass plates from the freezer section

The drawers can be removed for filling, emptying or cleaning purposes.

You can also use the space in the freezer section more flexibly. If you wish to freeze large items such as a turkey or game, the glass cold plates between the drawers can be removed.

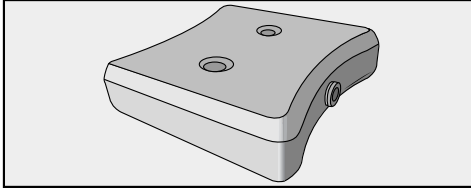
- Pull out the drawers as far as they will go, and then lift them up and out.
- Lift the glass plate slightly, pull it forwards and out.

# Freezing and storing food

## Using accessories

### Cool pack

The cool pack prevents the temperature in the freezer rising too quickly in the event of a power cut. This can help prolong the storage life.



- Place the cool pack in the top freezer drawer.

The cool pack will be at its most effective after it has been in the freezer for approx. 24 hours.

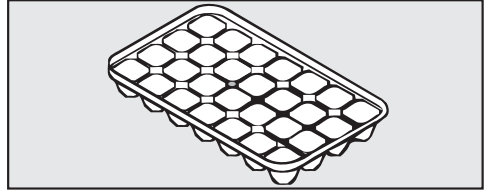
### – In the event of a power cut

- Place the frozen cool pack directly on top of the frozen food in the front of the top drawer.

**Tip:** When placing fresh food in the freezer, use the cool pack to separate the fresh food from the food which is already frozen so that the frozen food does not begin to thaw.

**Tip:** The cool pack can also be used in a cool bag to keep food or drinks cool for a short period of time.

### Ice cubes



- Fill the ice cube tray three quarters full of water and place it on the bottom of one of the freezer drawers.
- Once frozen, use a blunt instrument, for example a spoon handle, to remove the ice tray from the freezer if it is stuck.

**Tip:** Ice cubes can be removed easily from the tray by twisting the tray gently or by holding it under cold running water for a short time.

## Refrigerator section

The refrigerator section defrosts automatically.

Condensate and frost can build up on the back wall of the refrigerator section whilst the compressor is running. You do not need to remove this. The condensate is drained away through a channel and drain hole, then fed into an evaporation system at the back of the appliance where it evaporates automatically with the warmth generated by the compressor.

## Freezer section

The appliance is equipped with a “Frost free” system. The freezer defrosts automatically.

The moisture generated in the appliance collects on the condenser and is automatically defrosted and dissipated from time to time.

This automatic defrosting system enables the freezer to remain permanently ice-free, however, the food stored in the freezer will not defrost.

## Cleaning and care

⚠ Do not let water get into the electronic unit or the lighting.

⚠ Steam from a steam cleaning appliance could reach the electrical components and cause a short circuit.

Do not use a steam cleaning appliance to clean the appliance.

Cleaning water must not get into the drain hole.

The data plate located inside the appliance must not be removed. It contains information which is required in the event of a service call.

### Cleaning agents

The stainless steel appliance doors have a special coating that is resistant to dirt. **Do not use Miele stainless steel conditioning agent** on these surfaces, as this will cause visible streaks.

Cleaning and conditioning agents used inside the appliance must be food safe.

To avoid damaging the surfaces of the appliance, **do not use the following:**

- cleaning agents containing soda, ammonia, acids or chlorides,
- cleaning agents containing descaling agents,
- abrasive cleaning agents (e.g. scouring powder, scouring liquid, or pumice stones),

- solvent-based cleaning agents,
- stainless steel cleaning agents,
- dishwasher cleaner,
- oven sprays,
- glass cleaning agents,
- hard, abrasive sponges and brushes (e.g. pot scourers),
- eraser blocks,
- sharp metal scrapers.

To clean the stainless steel surfaces on the appliance we recommend using the original Miele Care product for stainless steel (see “Optional accessories”).

Unlike stainless steel cleaning agents, the conditioning agent does not contain any abrasive substances and will gently remove soiling. Each time it is used, it forms a water and dirt repellent protective coating.

We recommend using lukewarm water with a little washing-up liquid to clean surfaces of the appliance.

The following pages contain important information on cleaning.

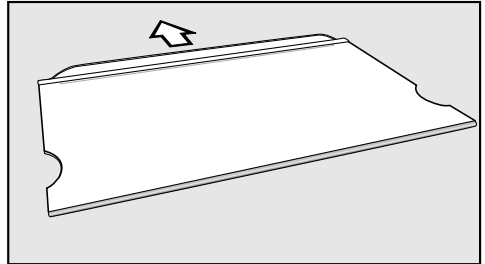
## Preparing the appliance for cleaning

- Switch the appliance off.
- ⏻ appears in the display and cooling is switched off.
- Disconnect it from the mains.
- Take any food out of the appliance and store it in a cool place.
- Remove the shelves and bottle shelf from the door.
- Take out the freezer drawers and glass plates.
- Take out all other removable parts for cleaning.

## Dismantling an adjustable shelf

Before cleaning the shelf remove the plastic trim and protective strip at the back of the shelf. To do this:

- Place the shelf on a worktop covered with a soft material (e.g. a tea towel).



- Then pull the protective strip off.
- After cleaning the shelf reattach the protective strip.


# Cleaning and care

## Cleaning the interior and accessories

Clean the appliance at least once a month.

Remove soiling immediately to prevent it from drying on.


- Clean the **interior** with a clean sponge, lukewarm water and a little washing-up liquid.
- After cleaning, wipe with clean water and dry with a soft cloth.

 The stainless steel trim on the door shelves is not suitable for cleaning in a dishwasher. Remove the shelf from the stainless steel frame before placing in a dishwasher.

The following parts **cannot be cleaned in a dishwasher**:

- stainless steel frames of adjustable shelves
- the protective strips at the back of the adjustable shelves
- all drawers and the compartment lid (depending on model)
- the bottle rack
- the roller plates under the fruit and vegetable drawers
- the cool pack
- These accessories should all be hand washed.

The following parts **are suitable** for cleaning in a dishwasher:

 The maximum temperature of the dishwashing programme selected must not exceed 55 °C.

Contact with natural dyes e.g. from carrots, tomatoes and ketchup may discolour the plastic parts in the dishwasher. This discolouration does not affect the stability of the parts.

- the bottle holder, butter dish, egg tray, ice cube tray (depending on model)
- the bottle shelf and shelves in the door (with stainless steel trim removed)
- the adjustable shelves (without white protective strips)
- Miele stainless steel conditioning agent can be used to remove any soiling from the stainless steel trim.

**Tip:** It is important to treat the stainless steel trim with Miele stainless steel conditioning agent each time it is cleaned. This will protect the surface and help prevent re-soiling.

- Leave the door open to air the appliance for a short while and to prevent odours building up.



## Cleaning the front of the appliance and the side panels

If soiling is left on for any length of time, it may become impossible to remove.

Surfaces may suffer discolouration or damage.

Therefore it is best to remove soiling from the appliance door and side panels immediately.


All surfaces are susceptible to scratching. Contact with unsuitable cleaning agents can alter or discolour the surfaces.

See “Cleaning agents” at the beginning of this section.

- The surfaces should be cleaned using a solution of hot water and a little washing-up liquid applied with a soft sponge. They can also be cleaned with a damp microfibre cloth (without using any cleaning agent).
- After cleaning, wipe with clean water and dry with a soft cloth.

## Appliance front

The appliance front has a high quality, special finish (CleanSteel). It is resistant to soiling and is very easy to clean.


 **Do not use stainless steel cleaning agent** on this surface. This would damage the coating.

**Do not use stainless steel conditioning agent** on this surface. This will cause noticeable streaks.

# Cleaning and care

---

## Cleaning the door seals

 If a door seal is damaged or if it has come out of the groove, the door will not close properly and cooling performance will be reduced.

Condensate will build up in the interior and this can cause a build-up of ice.

Do not damage door seals and ensure that they do not come out of their groove.

Do not use any grease or oil on door seals as these will cause them to deteriorate and become porous over time.

- Door seals should be cleaned regularly with clean water, and then wiped dry with a soft cloth.

## After cleaning

- Replace all shelves and accessories in the appliance.
- Reconnect to the mains and switch the appliance back on.
- Switch on the Super freeze function for a while so that the freezer section can cool down quickly.
- Switch on the Super cool function for a while so that the refrigerator section can cool down quickly.
- Place food in the refrigerator section and close the door.
- Place the freezer drawers with the frozen food back in the freezer section and close the door.
- When the temperature in the freezer section is a constant  $-18\text{ }^{\circ}\text{C}$  or colder press the Super freeze button to switch the Super freeze function off.

## Replacing the charcoal filters

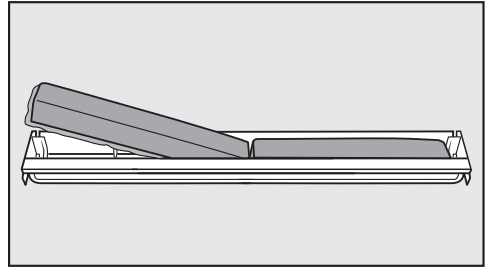
Replace the charcoal filters in the holder every 6 months.

Replacement KKF-RF charcoal filters can be obtained from your Miele dealer.

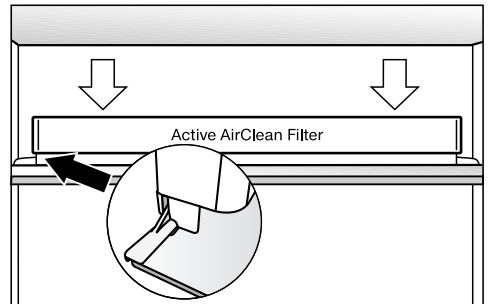
**Tip:** The charcoal filter holder is dishwasher-proof.

- Pull the charcoal filter holder upwards to remove it from the shelf.

When in position the charcoal filters must not touch the back wall of the appliance as the moisture could cause them to stick to the back wall. Insert the new charcoal filters into the holder so that they do not protrude over the edge of the holder.



- Remove both charcoal filters and place the new filters with the framed edge pointing downwards in the holder.



- Place the holder in the middle of the raised edge at the back of the shelf, so that it clicks into position.

## Problem solving guide

---

Many malfunctions and faults that can occur in daily operation can be easily remedied. Time and money will be saved because a service call will not be needed.

The following guide may help you to find the reason for a malfunction or a fault, and to correct it.

To prevent unnecessary loss of temperature it is advisable not to open the door while waiting for the appliance to be serviced.

Issue	Cause and remedy
<b>The appliance is not getting cold and the interior lighting does not come on when the door is opened.</b>	<p>The appliance has not been switched on.</p> <ul style="list-style-type: none"><li>■ Switch the appliance on.</li></ul> <p>The mains plug is not inserted in the socket correctly or the plug connector is not inserted into the socket at the back of the appliance correctly.</p> <ul style="list-style-type: none"><li>■ Insert the mains plug into the mains socket and the plug connector into the appliance socket correctly and switch on.</li></ul> <p>Check whether the mains fuse has tripped. There could be a fault with the appliance, the household electrical wiring or another electrical appliance.</p> <ul style="list-style-type: none"><li>■ Contact your Miele dealer.</li></ul>
<b>The compressor runs continuously.</b>	<p>This is not a fault. To save energy, the compressor runs at a lower speed, but for longer, when less cooling is required.</p>
<b>The compressor is switching on more frequently and for longer periods of time, so the temperature in the appliance is dropping.</b>	<p>The ventilation gaps have been covered or become too dusty.</p> <ul style="list-style-type: none"><li>■ Do not block the ventilation gaps.</li><li>■ Dust the ventilation gaps regularly.</li></ul>


## Problem solving guide

Issue	Cause and remedy
	<p>The doors have been opened too frequently, or a large amount of fresh food has been placed inside and/or frozen at the same time.</p> <ul style="list-style-type: none"> <li>■ Only open the doors when necessary and for as short a time as possible.</li> </ul> <p>The required temperature will re-establish itself after a while.</p>
	<p>The doors are not properly closed. A thick layer of ice may have formed in the freezer.</p> <ul style="list-style-type: none"> <li>■ Close the appliance doors.</li> </ul> <p>The required temperature will re-establish itself after a while.</p> <p>If a thick layer of ice has formed, it will reduce efficiency and increase the energy consumption.</p> <ul style="list-style-type: none"> <li>■ Defrost the appliance and clean it.</li> </ul>
	<p>The ambient temperature is too high. The higher the room temperature, the longer the compressor will run for.</p> <ul style="list-style-type: none"> <li>■ See “Installation - Location”.</li> </ul>
	<p>The temperature setting is too low.</p> <ul style="list-style-type: none"> <li>■ Adjust the temperature.</li> </ul>
	<p>A large amount of food is being frozen at once.</p> <ul style="list-style-type: none"> <li>■ See “Freezing and storing food”.</li> </ul>
	<p>The Super cool function is still switched on.</p> <ul style="list-style-type: none"> <li>■ You can switch off the Super cool function earlier to save energy.</li> </ul>
	<p>The Super freeze function is still switched on.</p> <ul style="list-style-type: none"> <li>■ You can switch off the Super freeze function earlier to save energy.</li> </ul>



## Problem solving guide

Issue	Cause and remedy
<p><b>The compressor comes on less and less often and for shorter periods of time.</b></p>	<p>Not a fault. The temperature setting is too high.</p> <ul style="list-style-type: none"> <li>■ Adjust the temperature.</li> <li>■ Check the temperature again after 24 hours.</li> </ul>
	<p>The food begins to defrost. The room temperature is too low for this appliance. If the room temperature is too low, the compressor will run less frequently. This may cause the freezer to become too warm.</p> <ul style="list-style-type: none"> <li>■ See the information in “Installation – ”Location“.</li> <li>■ Increase the temperature of the room.</li> </ul>
<p><b>The door seal is damaged and needs to be replaced.</b></p>	<p>No tools are required to change the door seal.</p> <ul style="list-style-type: none"> <li>■ Change the door seal. A replacement is available from your Miele dealer.</li> </ul>
<p><b>Ice or condensation has built up inside the appliance.</b></p>	<p>The door seal has come out of its groove.</p> <ul style="list-style-type: none"> <li>■ Check that the door seal is correctly seated in the groove.</li> </ul>
	<p>The door seal is damaged.</p> <ul style="list-style-type: none"> <li>■ Check whether the door seal is damaged.</li> </ul>
<p><b>An LED indicator light is flashing at the back of the appliance at the bottom near the compressor (depending on model). The electronic unit for the compressor is equipped with an operation and fault diagnosis LED indicator light.</b></p>	<p>The indicator light flashes several times every 5 seconds. A fault has occurred.</p> <ul style="list-style-type: none"> <li>■ Call your Miele dealer.</li> </ul>
	<p>The indicator light flashes regularly every 15 seconds. This is not a fault. This flashing is normal.</p>

## Display warnings




Message	Cause and remedy
<b>DEMO is shown in the display. The appliance does not get cold, although the appliance controls are working.</b>	<b>Demo mode</b> is activated. This allows the appliance to be presented in the showroom without the cooling system being switched on. Do not activate this setting for domestic use. ■ Call your Miele dealer.
<b>The  LED is lit up in the display and the appliance cannot be used.</b>	The <b>safety lock</b> has been activated. ■ Completely deactivate the safety lock (see “Selecting additional settings – Activating and deactivating the safety lock”).
<b>A buzzer is sounding.</b>	The <b>door alarm</b> has been activated (also see “Temperature and door alarm”). ■ Close the relevant appliance door. The alarm will stop.

## Problem solving guide

Message	Cause and remedy
<p>The  LED lights up in the display and a buzzer is also sounding.</p>	<p>The <b>temperature alarm</b> has been activated (see “Temperature and door alarm”). The temperature in the freezer section has risen higher or fallen lower than the temperature set.</p> <p>This could be due to, for example:</p> <ul style="list-style-type: none"><li>– the freezer door being opened too often, or being left open.</li><li>– a large quantity of fresh food being placed in the freezer at once without switching on the Super freeze function.</li><li>– an interruption to the power supply.</li><li>– a fault with the appliance.</li></ul> <p>■ Rectify the cause of the alarm.</p> <p>The  display LED goes out and the buzzer stops sounding.</p> <p>The temperature display will stop flashing as soon as the temperature has dropped to the correct level.</p> <p>■ Depending on the temperature displayed, you should check whether food in the freezer has started to thaw or has defrosted. If it has, it should be used as soon as possible. Defrosted food may only be re-frozen after it has been cooked.</p>





## Problem solving guide

Message	Cause and remedy
<p>The  LED lights up in the display and a buzzer is also sounding. The temperature display for the freezer section is flashing.</p>	<p>Indication of an <b>interruption to the power supply</b>: the temperature in the appliance over the last few days or hours has risen too high because of a power cut or interruption to the power supply. The appliance will go back to the last temperature setting when the power is back on.</p> <ul style="list-style-type: none"> <li>■ Touch the  sensor.</li> </ul> <p>The warmest temperature recorded in the freezer section will flash for about 1 minute in the temperature display for the freezer section.</p> <ul style="list-style-type: none"> <li>■ Touch the  sensor.</li> </ul> <p>The warmest temperature displayed will disappear. The display will then revert to showing the current temperature in the freezer section.</p> <ul style="list-style-type: none"> <li>■ Depending on the temperature displayed, you should check whether food in the freezer has started to thaw or has defrosted. If it has, it should be used as soon as possible. Defrosted food may only be re-frozen after it has been cooked.</li> </ul>
<p>“F0 to F9” appears in the display.</p>	<p>There is a fault.</p> <ul style="list-style-type: none"> <li>■ Call your Miele dealer.</li> </ul> <p>There is an <b>appliance fault</b>: this display always has priority over any settings which have just been selected.</p> <p>An appliance fault has priority over any current door and/or temperature alarms displayed.</p>

# Problem solving guide

## The interior lighting is not working.

Issue	Cause and remedy
<b>The interior lighting is not working.</b>	<p>The appliance has not been switched on.</p> <ul style="list-style-type: none"><li>■ Switch the appliance on.</li></ul>
	<p>To avoid overheating, the lighting switches itself off automatically after approx. 15 minutes if the door is left open. If this is not the case, then there is a fault.</p>
	<p> Danger of electric shock.</p> <p>There are live electrical components under the lighting cover.</p> <p>The LED lighting may only be repaired or replaced by a Miele authorised service technician.</p>
	<p> Danger of injury from LED lighting. Light intensity corresponds to laser beam class 1/1M.</p> <p>The lighting covers must not be removed or damaged, or be removed due to damage. This could cause injury to your eyes.</p> <p>Do not look into the LED lighting (laser beam class 1/1M) with optical instruments (e.g. magnifying glass or similar).</p>
<ul style="list-style-type: none"><li>■ Call your Miele dealer.</li></ul>	

## Other problems

Issue	Cause and remedy
<b>Food has frozen together.</b>	The food packaging was not dry when placed in the freezer. <ul style="list-style-type: none"><li>■ Use a blunt instrument, e.g. a spoon handle or plastic scraper, to prise it apart carefully.</li></ul>
<b>The external walls of the appliance feel warm.</b>	This is not a fault. The warmth created by the evaporator is used to prevent condensation.

# Noises

Normal noises	What causes them
<b>Brrrrr ...</b>	A humming noise is made by the motor (compressor). This noise can get louder for brief periods when the motor switches on.
<b>Blubb, blubb ...</b>	A gurgling noise can be heard when coolant is circulating through the pipes.
<b>Click ...</b>	Clicking sounds are made when the thermostat switches the motor on and off.
<b>Sssrrrrr ...</b>	You can sometimes just hear the sound of the fan inside the appliance.
<b>Crack ...</b>	A cracking sound can be heard when materials expand inside the appliance.
Remember that the noise of the compressor and the coolant circulating in the system is unavoidable.	

Noises	Cause and remedy
<b>Rattling, vibrating</b>	The appliance is uneven. Realign the appliance using a spirit level. Do so by raising or lowering the screw feet underneath the appliance or place something underneath it.
	The appliance is touching another appliance or piece of furniture. Move it away.
	Drawers or shelves are unstable or sticking. Check all removable items and refit them correctly.
	Bottles or containers are touching each other. Separate them.
	The transport cable clips are hanging loose at the back of the appliance. Remove them.

### **Contact in case of malfunction**

In the event of any faults which you cannot remedy yourself, please contact your Miele Dealer.

Contact details for Miele are given at the end of this document.

Please note that telephone calls may be monitored and recorded for training purposes and that a call-out charge will be applied to service visits where the problem could have been resolved as described in this booklet.

Please quote the model and serial number of your appliance when contacting Miele. This information can be found on the data plate.

The data plate can be found inside the appliance.

### **Guarantee**

For more information on country-specific warranty terms and conditions, please contact Miele dealer.

## Electrical connection

---

The appliance is supplied with a power cable and moulded plug ready for connection to an AC 230 V 50 Hz supply.

The fuse rating must be at least 10 A (13 A in the UK).

The accessibility of the plug must always be ensured in order to be able to quickly separate the appliance from the mains.

If the mains socket is not accessible after the appliance has been built in, a separator for each terminal must be present. There must be an all-pole contact gap of at least 3 mm in the switch (including switch, fuses and relays according to EN 60335).


The plug and mains connection cable must not come into contact with the back of the appliance as vibrations can cause damage to these components. This, in turn, could result in a short circuit.


Do not plug in other appliances behind this appliance.

Do not connect the appliance to the mains electricity supply by an extension lead. Extension leads do not guarantee the required safety of the appliance (e.g. danger of overheating).

Do not connect the appliance to an inverter such as those used with an autonomous energy source e.g. **solar power**. When switched on, peak loads in the system can cause the safety switch-off mechanism to be triggered. This can damage the electronic unit. The appliance must not be used with so-called **energy-saving devices** either. These reduce the amount of energy supplied to the appliance, causing it to overheat.

If the mains cable needs to be replaced this must be done by a suitably qualified person.

 **Fire risk and danger of damage!**  
Appliances which give off heat, such as toasters, mini-ovens or double burner hobs, can catch fire.  
Do not place them on top of this refrigeration appliance.

 **Fire risk and danger of damage!**  
Do not place a naked flame, e.g. a candle on top of or beside this appliance.

## Side-by-side combinations

As a general rule, refrigerators and freezers should not be installed side-by-side with other such appliances so as to avoid a build-up of condensation between them and the damage this can cause.

However your refrigeration appliance can be installed “side-by-side” because it is equipped with built-in heating units in the side panels.

Please contact your Miele dealer for specific information about which combinations will work with your appliance.

## Location


This appliance should be installed in a dry, well-ventilated room.

When deciding where to install your refrigeration appliance please bear in mind that it will use more energy if installed near to a heater, a cooker or other appliance that gives off heat. Direct sunlight should also be avoided.

The higher the room temperature, the longer the compressor runs and the higher the energy consumption is.

When installing the appliance, please note:

- The socket must be easily accessible in an emergency, not concealed behind the appliance.
- The plug and cable must not touch the rear of the appliance as they could be damaged by vibrations from the appliance.
- Do not plug in other appliances behind this appliance.

 **In environments with high humidity** condensation can build up on the external appliance panels. This can lead to corrosion of the panels.

For prevention, it is advisable to install the appliance with sufficient ventilation in a dry and/or air conditioned room.

Please ensure that the appliance doors close properly, the ventilation gaps are not covered over and the appliance is installed in accordance with these instructions.

# Installation

---

## Climate range


The appliance is designed for use within a certain climate range (ambient temperatures) and should not be used outside this range. The climate range of the appliance is stated on the data plate inside the appliance.

Climate range	Ambient room temperature
SN	+10 to +32 °C
N	+16 to +32 °C
ST	+16 to +38 °C
T	+16 to +43 °C

Operating in a room which is too cold will cause the compressor to switch off for too long, causing the internal temperature in the appliance to rise with the risk of food deteriorating and going off.

## Ventilation

Air at the back of the appliance gets warm.

 To ensure efficient ventilation the ventilation gaps must not be covered or blocked in any way. They should be dusted on a regular basis.

## Door opening angle limiter

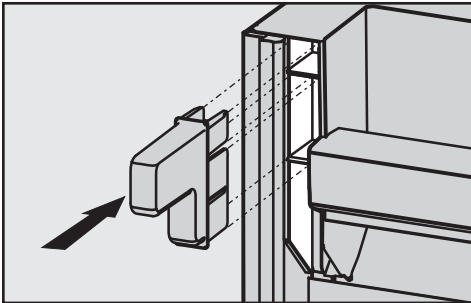
The door opening angle limiter restricts the opening angle to 90° or 110°. This may be necessary if the appliance door hits an adjacent wall when opened, for example.

The door opening angle limiter is available from your Miele dealer.



## Fitting wall spacers supplied

The wall spacers supplied must be used in order to achieve declared energy consumption values and to prevent the build-up of condensation at high ambient temperatures. Appliance depth is increased by approx. 35 mm with the wall spacers fitted. If the wall spacers are not used the functionality of the appliance is not affected. Energy consumption is only slightly increased with less distance between the appliance and the wall.



- Fit the wall spacers onto the back of the appliance on the top left and right.

## Installation

⚠ Two people are required for installing the appliance.

⚠ The appliance must be empty when it is installed.

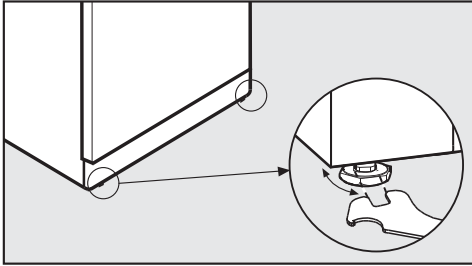
⚠ Move the appliance carefully on floors that are sensitive to scratching to prevent damage.

For easier installation there are transport handles on the back at the top and transport wheels underneath the appliance.

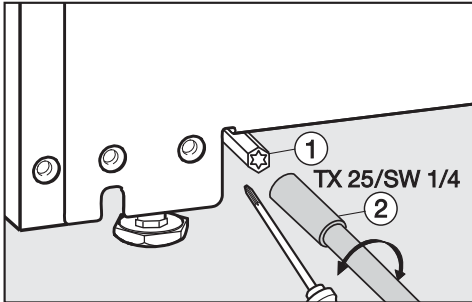
- Prepare the appliance for installation as close as possible to its intended installation location.
- Release the mains cable from the back of the appliance.
- Remove the cable clip from the back of the appliance.
- Move the appliance carefully to its intended installation location.
- Position the appliance with the wall spacers (if used) or the back close to the wall.

# Installation

## Aligning the appliance



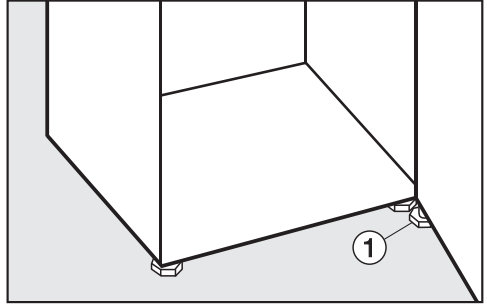
- To align the appliance, adjust the front feet using the spanner supplied.



If necessary, also align the two rear adjustable feet using the two front adjustable devices ① (located beside the front adjustable feet).

- Turn the adjusting device clockwise using a socket wrench ② to raise the appliance up at the back.

## Levelling the appliance door



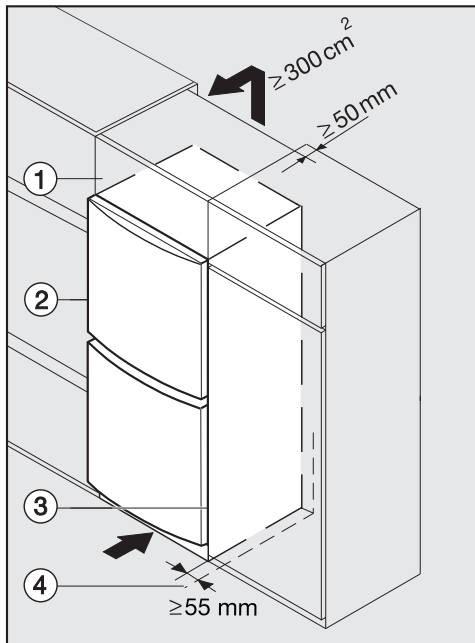
- **Ensure** that you unscrew adjustable foot ① from the hinge plate until it sits on the floor. Then unscrew the foot by a further 1/4 turn.

## Building the appliance into a kitchen run

**!** If the ventilation gaps given are not observed, the compressor will run more frequently and for longer periods.

This will result in increased energy consumption and a higher operating temperature for the compressor. This may, in turn, cause damage to the compressor.

It is essential to observe the ventilation gaps given.



- ① Top box
- ② Refrigeration appliance
- ③ Housing unit
- ④ Wall

\* The appliance depth is increased by approx. 35 mm for appliances with wall spacers fitted.

The appliance can be built into a kitchen run and installed directly next to a kitchen furniture housing unit. The appliance front must protrude in front of furniture fronts by at least 34 mm\* at the sides and by at least 55 mm\* in the middle. This enables the doors to be opened and shut without being obstructed. To match the height of the rest of the kitchen, the appliance can be fitted with a suitable top box ①.

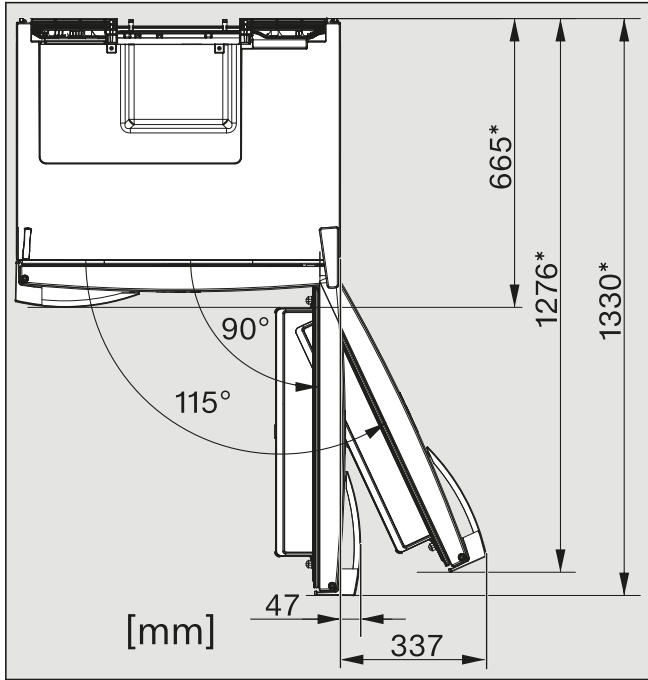
When installed next to a wall ④ a distance of at least 55 mm must be maintained on the hinge side between the wall ④ and the appliance ②.

The larger the ventilation gap, the more economically the compressor will work.

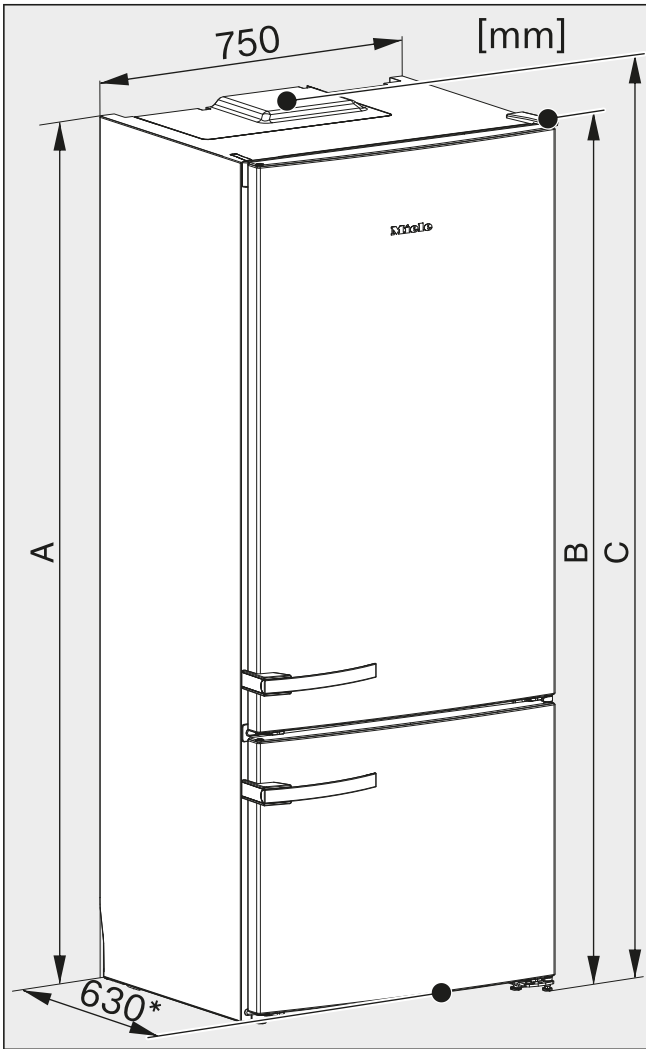
- A ventilation gap of at least 50 mm depth must be provided at the back of the appliance behind the whole width of the top box for air to circulate.
- The cross-section of the air inlet and outlet under the ceiling must be at least 300 cm<sup>2</sup> to ensure that air can circulate without obstruction.

# Installation

## Appliance dimensions



\* Dimensions without wall spacers. Appliance depth is increased by 35 mm with the wall spacers supplied fitted.





\* Dimensions without wall spacers. Appliance depth is increased by 35 mm with the wall spacers supplied fitted.

	<b>A</b> [mm]	<b>B</b> [mm]	<b>C</b> [mm]
<b>KFN 15842 D edt/cs</b>	1840	1852	1860
<b>KFN 15943 D edt/cs</b>	2000	2012	2020

# Changing the door hinging

The appliance is supplied right-hand hinged. If left-hand hinging is required, the hinges must be changed.

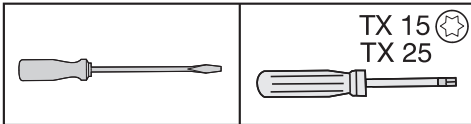
 Two people are needed for changing the door hinging.

 If a door seal is damaged the door will not close properly and cooling performance will be reduced. Condensate will build up in the interior and this can cause a build-up of ice.

Do not damage the door seal.

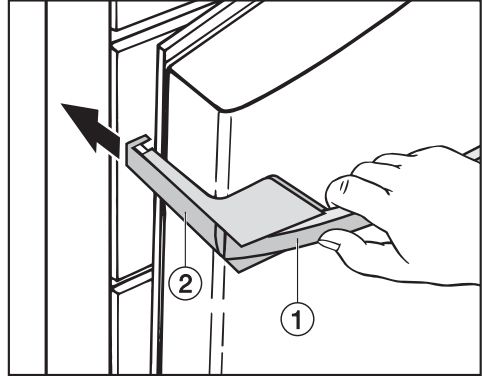
## Preparing to change the door hinging

To change the door hinging, you will need the following tools:



- Place a suitable cover on the floor in front of the appliance to protect the appliance doors and your floor from damage.
- Remove the shelves/bottle shelf from the appliance door.

## Removing the door handles




- When you pull the door handle ①, the sidebar ② slides back.
- Pull sidebar ② firmly to the back out of the guides on the mounting plate.
- Now loosen the four screws (TX15) in the mounting plate and remove the handle.
- Remove the cover caps from the opposite side, and fit them into the empty holes.

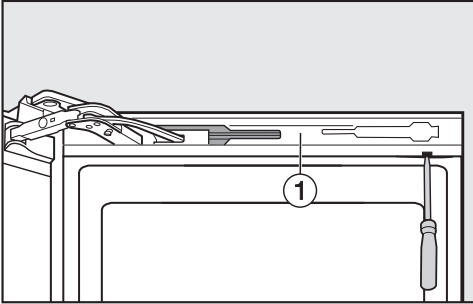
## Changing the door hinging

### Removing the upper soft-close mechanism

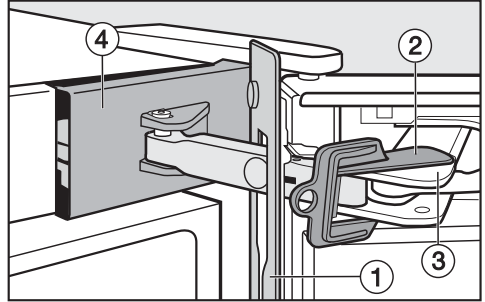
- Open the upper appliance door.

 If a door seal is damaged the door will not close properly and cooling performance will be reduced. Condensate will build up in the interior and this can cause a build-up of ice.

Do not damage the door seal.



- Loosen the panel ① from the soft-close mechanism by inserting a flat-headed screwdriver into the gaps from below and, taking care, gradually lift the panel off.



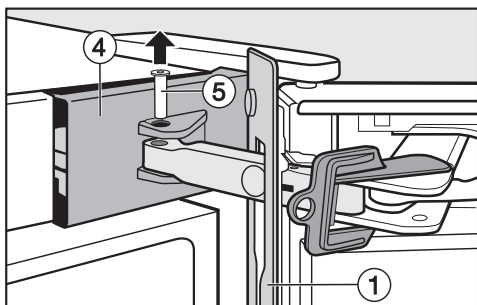
- Push the panel ① toward the appliance and leave it hanging there between the door and appliance to start with.
- Place red safety aid ② (supplied with the appliance) onto soft-close mechanism ③ and click it into position.

The safety aid prevents the hinge from snapping shut.

Do not remove the red safety aid until instructed to do so.

- Gently loosen cover ④ from latch by inserting a flat-headed screwdriver from above and below.

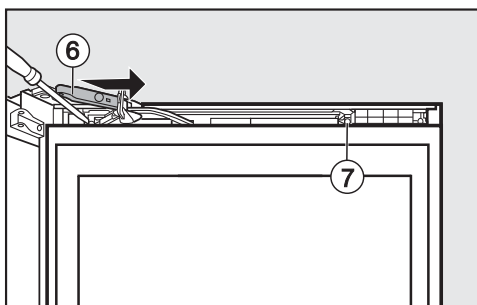
## Changing the door hinging



- Push pin ⑤ up and out from below using a flat-headed screwdriver.
- Remove cover ④.

Now the soft-close mechanism and the appliance are no longer connected.

- Remove panel ①.

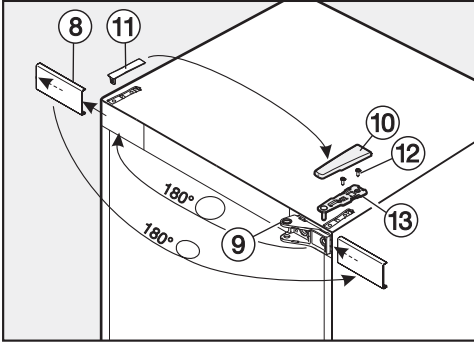


- Push soft-close mechanism bracket ⑥ as far as it will go toward the handle side.
- Loosen screw ⑦ in soft-close mechanism and spacer.
- Lever out the housing together with the soft-close mechanism using a flat-headed screwdriver in the middle.
- Then, lever the housing together with the soft-close mechanism out of the latch from the appliance side.
- Put the soft-close mechanism to one side.
- Push the spacer towards the hinge side and out.
- Place the spacer to one side.



## Changing the door hinging

### Removing the upper door



- Loosen cover ⑧ by carefully inserting a flat-headed screwdriver into the gap from below and remove it.
- Unscrew hinge part ⑩, turn it 180°, and fit it on the opposite side. If necessary, drill holes for the screws.
- Remove upper cover ⑪ by sliding it forward from the back and then lifting it up and off.
- Remove cover ⑫ by lifting it up and off.
- Close the upper door.

**⚠ Danger of injury when removing the appliance door.**

The appliance door is not secure once the hinge plate has been removed.

The door must be held by a second person.

- Loosen screws ⑬ in the upper hinge plate ⑭ and pull the hinge plate up and off.

**⚠ Danger of injury when removing the door.**

As soon as the hinge pin is located in the upper door rather than in the middle hinge plate, the lower door is not secured and could fall off.

Ensure that the hinge pin remains located in the middle hinge plate and in the lower door.

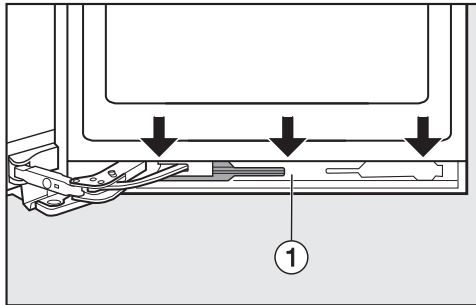
- Carefully lift the upper door up and off and put it to one side.
- Click cover ⑧ back on the opposite side.
- Refit cover ⑩ on the opposite side.

# Changing the door hinging

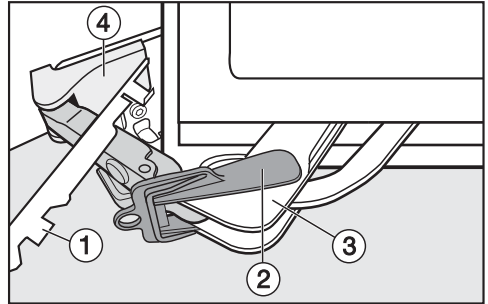
## Removing the lower soft-close mechanism

- Open the lower door.

⚠ If a door seal is damaged the door will not close properly and cooling performance will be reduced. Condensate will build up in the interior and this can cause a build-up of ice.  
Do not damage the door seal.



- Loosen panel ① from the soft-close mechanism by inserting a flat-headed screwdriver into the gaps from above and, taking care, gradually lift the panel off.



- Push the panel ① toward the appliance and leave it hanging there between the door and appliance to start with.
- Place safety aid ② (supplied with the appliance) on the soft-close mechanism ③.

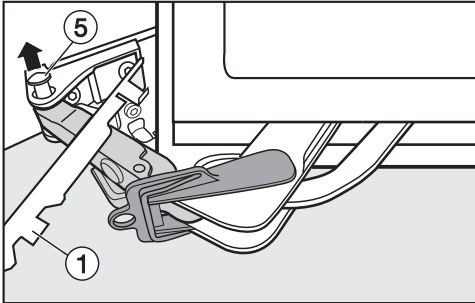
The safety aid prevents the hinge from snapping shut.

Do not remove the red safety aid until instructed to do so.

- Use a flat-headed screwdriver to carefully remove cover ④ from the side.

## Changing the door hinging

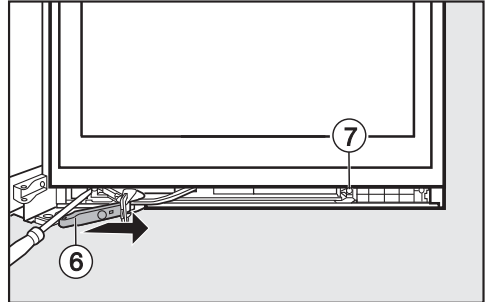
- Tip the appliance back slightly with the help of another person if required.



- Push pin ⑤ up and out from underneath.

Now the soft-close mechanism and the appliance are no longer connected.

- Remove panel ①.



- Push soft-close mechanism bracket ⑥ as far as it will go toward the handle side and
- loosen screw ⑦ in soft-close mechanism and spacer.
- Lever out the housing together with the soft-close mechanism using a flat-headed screwdriver in the middle.
- Then, lever the housing together with the soft-close mechanism out of the latch from the appliance side.
- Put the soft-close mechanism to one side.
- Push the spacer towards the hinge side and out.
- Place the spacer to one side.

# Changing the door hinging

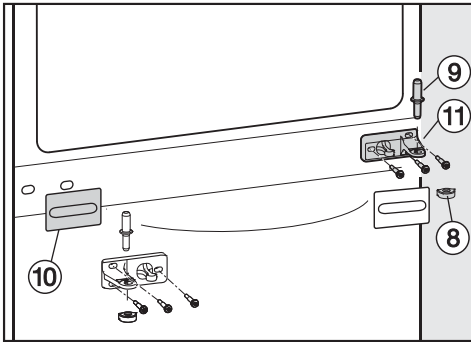
## Removing the lower door

- Close the lower door.

**⚠ Danger of injury when removing the lower door.**

As soon as the hinge pin is removed from the lower door in the following instructions, the door is no longer secured.

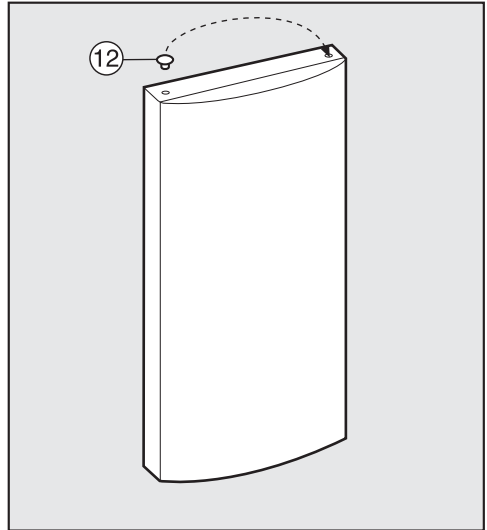
The door must be held by a second person.



- Remove hinge pin ⑨ from the middle of the appliance by pulling it up.

**Tip:** Please note that grey plastic cover ⑧ on the middle hinge plate can fall off when the door is being removed.

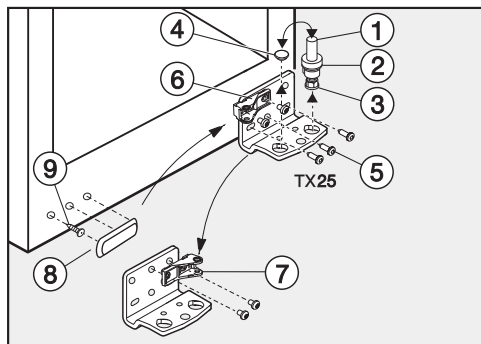
- Carefully lift the lower door off and place it to one side.
- Pull cover ⑩ off.
- Unscrew hinge plate ⑪, turn it 180°, and screw it into place on the opposite side.
- Turn plastic cap ⑧ 180° and refit it in the middle of the hinge plate ⑪.
- Refit cover ⑩ on the opposite side.



- Lift stoppers ⑫ for both doors from their bearing bushes and reinsert them on the opposite side.

## Changing the door hinging

### Refitting the lower door

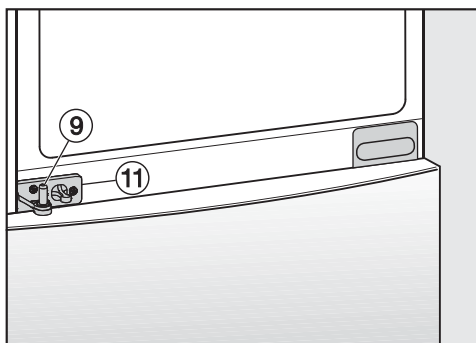


- Pull hinge pin ① complete with washer ② and adjusting foot ③ upwards to remove.
- Remove stopper ④.
- Undo screws ⑤ and remove hinge plate ⑥.
- Unscrew hinge part ⑦ from hinge plate ⑥, turn it 180°, and screw it into the opposite hole in the hinge plate.
- Insert stopper ④ into the other hole.
- Remove cover ⑧.
- Remove screw ⑨ and screw it into the outermost hole on the opposite side.
- Turn cover ⑧ through 180° and refit it on the opposite side.
- Screw hinge plate ⑥ onto the opposite side, using only the outer two slots. Do not use the screw in the middle because otherwise you will not be able to align the appliance door with the outer slots later on.
- Important! Screw adjustable foot ③ into hinge pin ① as far as it will go.

- Reinsert hinge pin ① complete with washer ② and adjustable foot ③.

Important! The lug on the hinge pin must point to the back again.

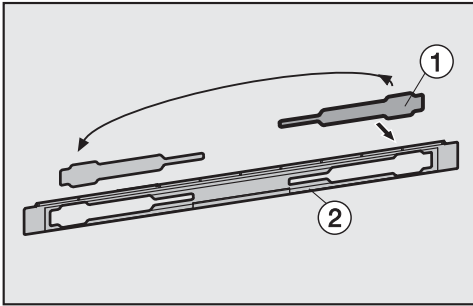
- Place the lower door on hinge pin ① from above.
- Close the lower door.



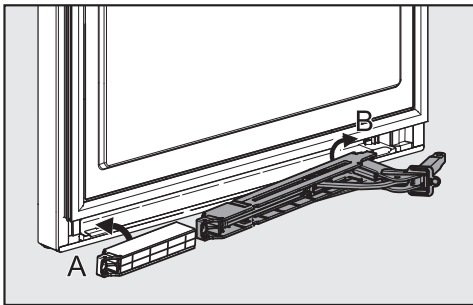
- In the middle of the appliance, insert hinge pin ⑨ through hinge plate ⑪ and into the lower appliance door.

# Changing the door hinging

## Inserting the lower soft-close mechanism

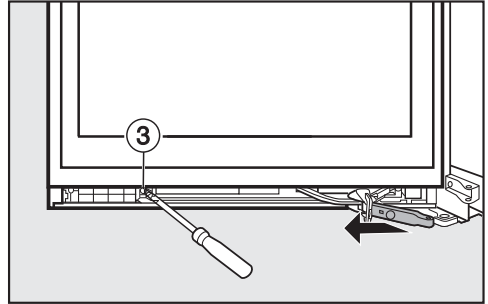


- Remove cover ① from panel ②, turn it 180°, and reinsert it on the other side.

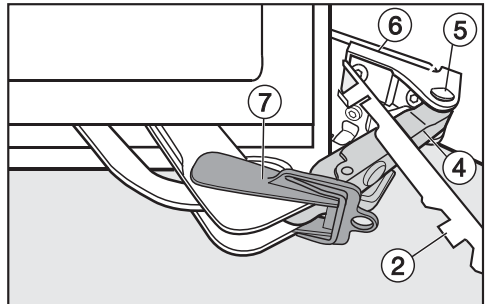


- Hook the spacer into latch (A) on the handle side.
- Hook the soft-close mechanism into latch (B) on the appliance side.

Push both parts out so that they are firmly engaged.



- Use screw ③ to secure the spacer and soft-close mechanism in place.

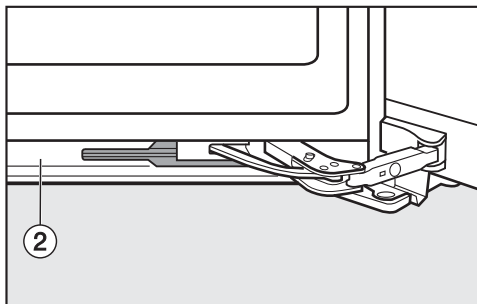


- Attach panel ② onto soft-close mechanism bracket ④.
- Pull soft-close mechanism bracket ④ toward the hinge plate and insert pin ⑤ from above so that the square sits in the depression.
- Fit cover ⑥ back into place so that it engages.

Make sure that cover ⑥ fits properly so that the door can be closed without hindrance and the pin is secured.

- Remove the safety aid ⑦.

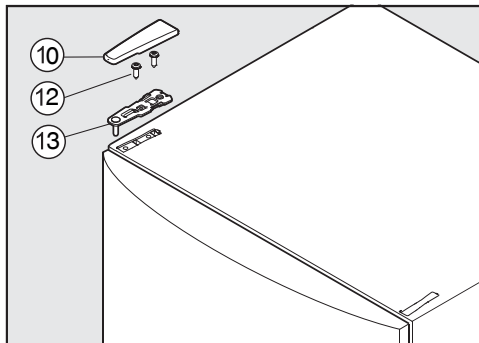
## Changing the door hinging



- Replace panel ② onto the soft-close mechanism from above, clicking it back into place first at the bottom and then at the top.
- Close the lower door.

### Refitting the upper door

- Fit the upper door onto hinge pin ⑨ in the middle of the appliance.
- Close the upper door.



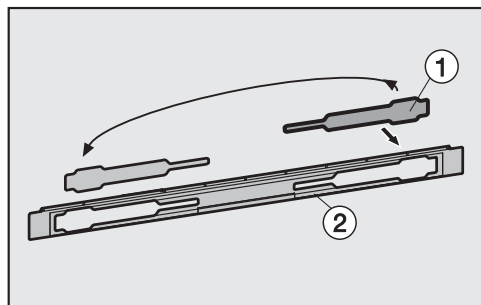
- Fit hinge plate ⑬ on the opposite side and secure it in place with screws ⑫.

**Tip:** If necessary, drill holes for the screws.

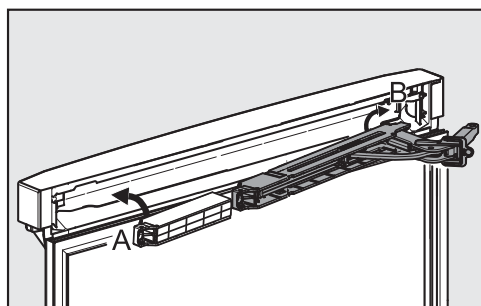
- Refit cover ⑩ on the opposite side.
- Align the appliance door with the appliance housing using the slots in the lower hinge plate. Then tighten the screws.

# Changing the door hinging

## Inserting the upper soft-close mechanism

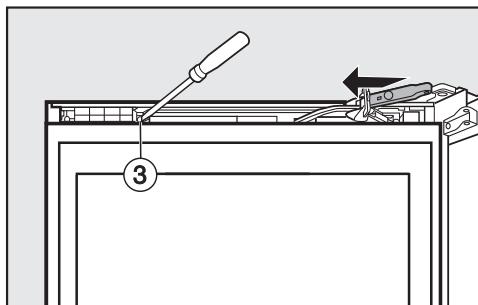


- Remove cover ① from panel ②, turn it 180°, and reinsert it on the other side.

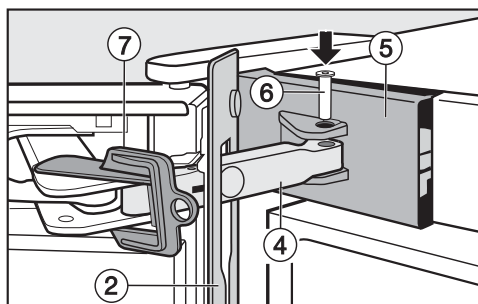


- Hook the spacer into latch (A) on the handle side.
- Hook the soft-close mechanism into latch (B) on the appliance side.

Push both parts out so that they are firmly engaged.



- Use screw ③ to secure the spacer and soft-close mechanism in place.



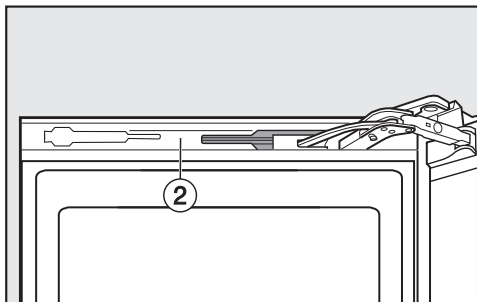
- Attach panel ② onto soft-close mechanism bracket ④.
- Slide cover ⑤ on from the side so that the openings for pin ⑥ are aligned.
- Pull soft-close mechanism bracket ④ toward the hinge plate and insert pin ⑥ from above so that the square sits in the depression.
- Snap cover ⑤ completely into place.

Make sure that cover ⑤ fits properly so that the door can be closed without hindrance and the pin is secured.

- Remove the safety aid ⑦.




## Changing the door hinging



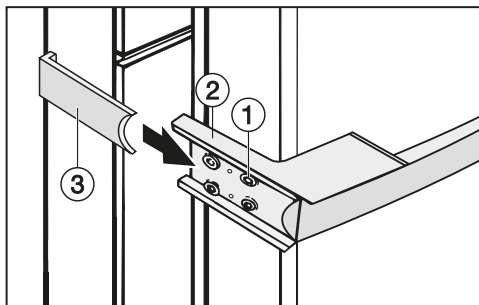
- Replace panel ② onto the soft-close mechanism from above, clicking it back into place first at the bottom and then at the top.
- Close the upper door.

## Refitting the handle

 Danger of damage!

The door seal can be damaged if the handle is fitted incorrectly.

Please make sure you follow the instructions below carefully when you refit the handle.



- Loosely attach the handle to the opposite side of the door with the two front screws ①.

The mounting plate ② must be positioned on the door housing so that when the door is closed it is flush with the outer wall of the appliance.

- Firmly tighten all 4 screws ①.
- From the appliance side, slide the sidebar ③ into the guide on the mounting plate until it audibly clicks into place.

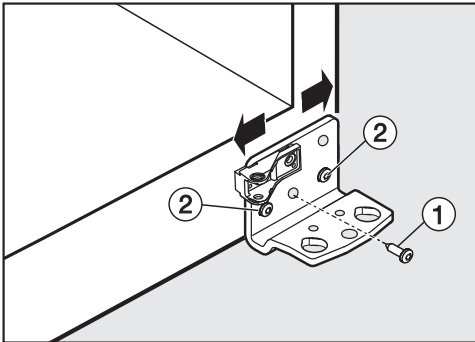
Make sure that sidebar ③ does not come into contact with the door seal when the door is opened. This can cause permanent damage to the door seal.

## Aligning the appliance doors

The appliance doors can be aligned with the appliance housing after they have been fitted.

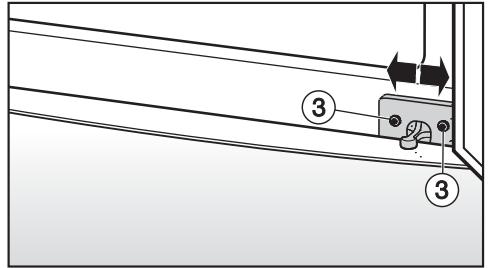
In the following illustration the door is not shown in the closed position to make it easier to see what you have to do.

To align the lower door use the long outer slots in the lower hinge plate:



- Remove centre screw ① from the hinge plate.
- Slightly loosen both outer screws ②.
- Align the door by sliding the hinge plate to the left or right.
- Then tighten screws ② again. Screw ① does not need to be refitted.

Align the upper door using the long outer slots in the middle hinge plate:



- Slightly loosen both screws ③.
- Align the door by sliding the hinge plate to the left or right.
- Then tighten screws ③.

# Miele

## **Miele Saudi Arabia**

**AWAD BADI NAHAS TRADING CO. LTD**

### **Head Office:**

#### **Jeddah**

P.O. Box 11529 Jeddah 21463

Tel. +966 12 2560888, Fax. +966 12 2560555

Hotline for customer care: 920003240

Website: [www.awadnahas.com](http://www.awadnahas.com)

### **Branches:**

#### **Jeddah**

Madina Road

Tel. +966 12 6970060, Fax. +966 12 6970012

#### **Jeddah**

Sitteen Street

Tel. +966 12 6611675, Fax. +966 12 6606852

#### **Jeddah**

Miele Gallery

Al Thanyyan Group Building, Al-Madina Road,  
Near, Al Rowdah District, Jeddah

Tel. +966 12 6989339 Ext. 100

Fax. +966 12 6989339 Ext. 200

#### **Riyadh**

Olaya Street

Tel. +966 11 2013501, Fax. +966 11 2013502

#### **Taif**

Hadiya Street

Tel. +966 12 7327001, Fax. +966 12 7369596

#### **Khobar**

Al Zahran Road

Tel. +966 13 8646150, Fax. +966 13 8646190

## **Miele United Arab Emirates**

Miele Appliances Ltd.

Gold & Diamond Park

Office No. 6-217

Sheikh Zayed Road

P.O. Box 114782 - Dubai

United Arab Emirates

Tel. +971 4 3044 999

Fax. +971 4 3418 852

800-MIELE (64353)

E-Mail: [info@miele.ae](mailto:info@miele.ae)

Website: [www.miele.ae](http://www.miele.ae)

Webshop: [www.shop.miele.ae](http://www.shop.miele.ae)

## **Miele Gallery Dubai**

Sama Tower (Ground Floor)

Dubai World Trade Center

Roundabout

Dubai

## **Miele Service Centre**

Shed No. 9, Block B,

Jamal Al Ghurair Warehouses

Al Quoz Industrial III

Dubai

**Manufacturer:** Miele & Cie. KG, Carl-Miele-Straße 29, 33332 Gütersloh, Germany

KFN 15842 D ed/cs, KFN 15943 D ed/cs

en – AE, SA

M.-Nr. 10 865 960 / 00