

## THE BENCHMARK MACHINES





### PDR 922 | 50 lbs. PERFORMANCE PLUS


#### Features

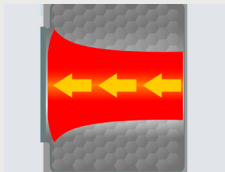
- Programmable controls
- Short program cycles
- Patented Honeycomb Drum
- PerfectDry system – residual moisture sensors
- Intelligent dryers – gentle and uniform
- Perfect anti-crease
- Economical and efficient
- LAN/WiFi capable (accessory required)

OPL ON-PREMISE LAUNDRY

 Steam Indirect

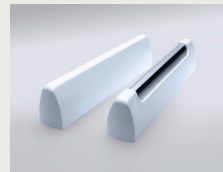
 Hot Water Heating

 Electric Heating



#### Axial airflow

For perfect drying results, air is passed through the drum according to the principle of longitudinal air flow.



#### SoftLift drum ribs ensure gentle fabric care

The SoftLift drum ribs allow laundry to be dried gently and evenly.



#### Honeycomb Drum

Less folding, easy finishing: laundry is dried very gently and evenly in the Honeycomb Drum.



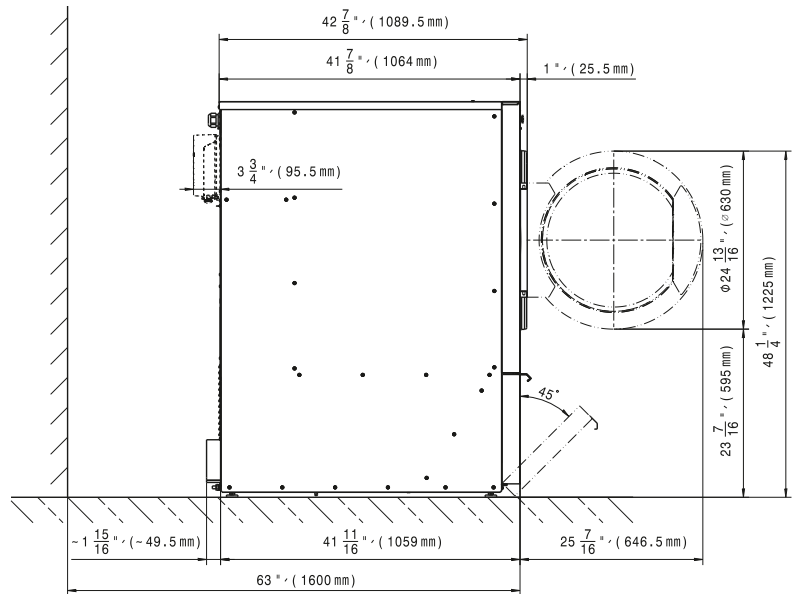
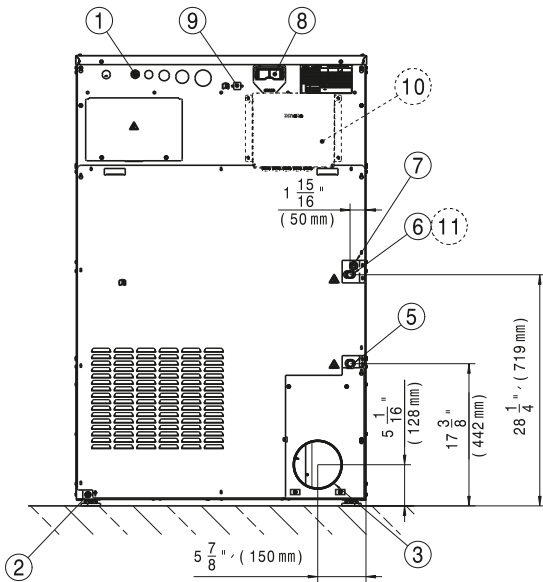
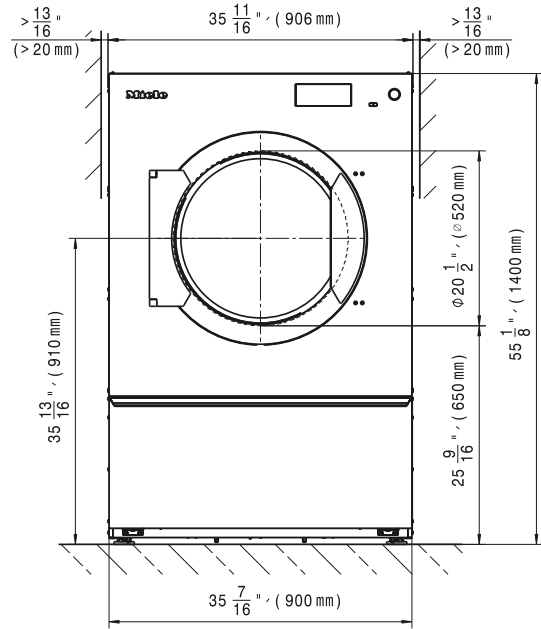
#### Large fluff filter

The very large filter surface is particularly easy to clean.

Model	Heat Type	Electrical Specification Voltage/Hz/Phase (Amp)	Color	Material No.	Article No.
PDR 922	Steam	208, 240/60/1 (2 x 15 A)	Iron Grey	12012300	52922028NAM
PDR 922	Steam	208, 240/60/1 (2 x 15 A)	Stainless Steel	12012290	52922027NAM
PDR 922	Hot Water	208, 240/60/1 (2 x 15 A)	Stainless Steel	12012310	52922029NAM
PDR 922	Electric	208, 240/60/3 (3 x 70 A)	Stainless Steel	12012280	52922025NAM

## Specifications

Capacity	50 lbs. (22.5 kg)
Cylinder Diameter	33 <sup>7/16</sup> in. (850 mm)
Cylinder Depth	29 <sup>1/16</sup> in. (742 mm)
Cylinder Volume	14.13 cu.ft. (400 l)
Machine Dimensions (WxDxH)	35 <sup>11/16</sup> x 45 <sup>3/4</sup> x 55 <sup>1/8</sup> in. (906 x 1,162 x 1,400 mm)
Door Opening	20 <sup>1/2</sup> in. (520 mm)
Floor to Door	23 <sup>7/16</sup> in. (595 mm)
Reversible Door	Yes
Shipping Dimensions (WxDxH)	42 <sup>15/16</sup> x 49 <sup>3/8</sup> x 60 <sup>1/16</sup> in. (1,090 x 1,254 x 1,526 mm)
Net Weight EL   Steam	439 lbs. (199 kg)   512 lbs. (232 kg)
Crated Weight EL   Steam	470 lbs. (213 kg)   543 lbs. (246 kg)
Steam Inlets (Steam version)	2 x 1/2 in. (51 x 13 mm)
Hot Water Inlets (HW version)	2 x 1/2 in. (51 x 13 mm)
Flow Rate Operating Range (HW version)	1.3-6.6 gal/min. (0.3-1.5 m3/h)
Hot Water Return (HW version)	1/2 in. (13 mm)
Recommended Water Pressure	87-145 psi
Min. Recommended Distance Between Machines	13/16 in. (20 mm)
Agency Approvals	Intertek



Heating	Voltage (Voltage/Hz/Phase)	Wire	Circuit Breaker Amps	Running Amps	Total Power (kW)
Steam	208, 240/60/1	2 Wire + Ground	15	7	1
Hot Water	208, 240/60/1	2 Wire + Ground	15	7	1
Electric	208, 240/60/3	3 Wire + Ground	70	51.2	20.2

Specifications subject to change without notice or obligation.  
Contact Miele USA at (800) 991-9380 or Miele Canada at (888) 325-3957 for dimensions not shown or for clarification.