

THE BENCHMARK MACHINES

OPL ON-PREMISE LAUNDRY



Gas Heating



Steam Indirect



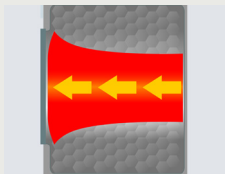
Electric Heating



PDR 918 | 40 lbs. PERFORMANCE PLUS

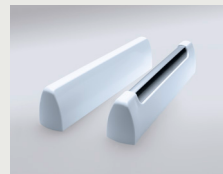
Features

- Programmable controls
- Short program cycles
- Patented Honeycomb Drum
- PerfectDry system – residual moisture sensors
- Intelligent dryers – gentle and uniform
- Perfect anti-crease
- Economical and efficient
- LAN/WiFi capable (accessory required)



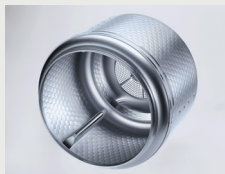
Axial airflow

For perfect drying results, air is passed through the drum according to the principle of longitudinal air flow.



SoftLift drum ribs ensure gentle fabric care

The SoftLift drum ribs allow laundry to be dried gently and evenly.



Honeycomb Drum

Less folding, easy finishing: laundry is dried very gently and evenly in the Honeycomb Drum.



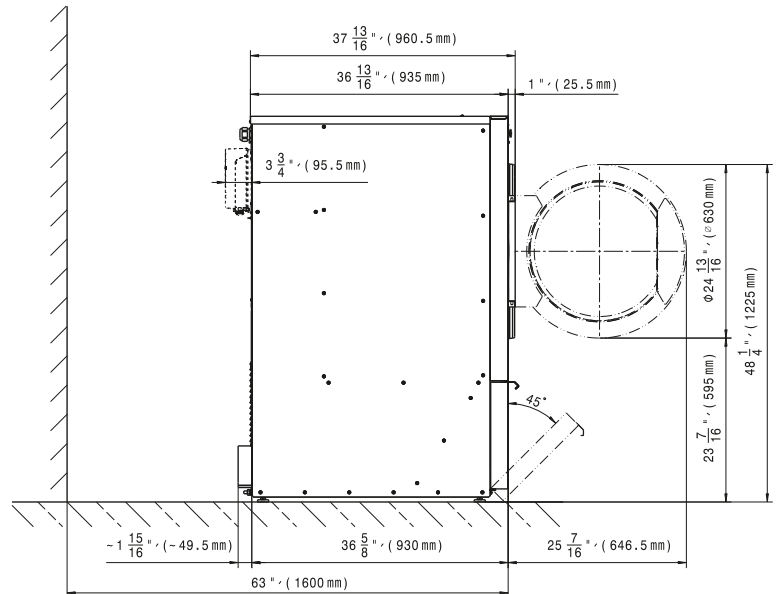
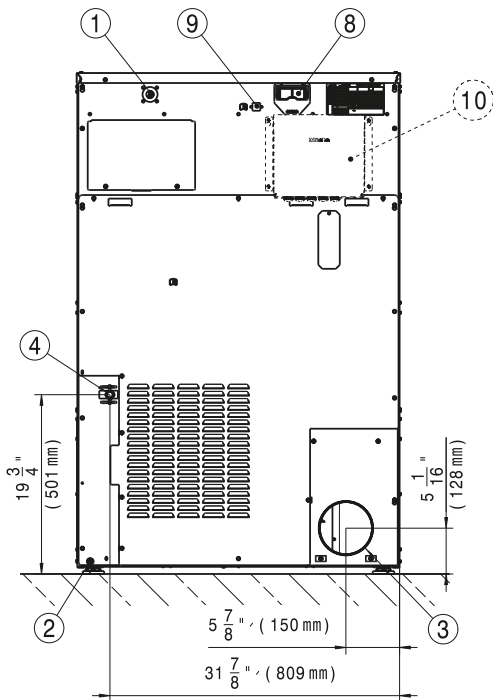
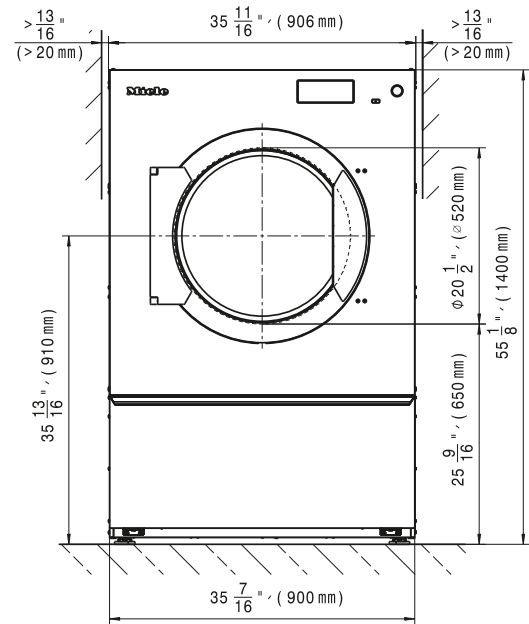
Large fluff filter

The very large filter surface is particularly easy to clean.

Model	Heat Type	Electrical Specification Voltage/Hz/Phase (Amp)	Color	Material No.	Article No.
PDR 918	Gas	208, 240/60/1 (2 x 15 A)	Iron Grey	12012240	52918028NAM
PDR 918	Gas	208, 240/60/1 (2 x 15 A)	Stainless Steel	12012230	52918027NAM
PDR 918	Steam	208, 240/60/1 (2 x 15 A)	Iron Grey	12012210	52918026NAM
PDR 918	Steam	208, 240/60/1 (2 x 15 A)	Stainless Steel	12012200	52918025NAM
PDR 918	Electric	208, 240/60/3 (3 x 70 A)	Stainless Steel	12012140	52918023NAM

Specifications

Capacity	40 lbs. (18 kg)
Cylinder Diameter	20 1/2 in. (520 mm)
Cylinder Depth	24 1/8 in. (613 mm)
Cylinder Volume	11.5 cu.ft. (325 l)
Machine Dimensions (WxDxH)	35 11/16 x 40 3/4 x 55 1/8 in. (906 x 1,035 x 1,400 mm)
Door Opening	24 13/16 in. (630 mm)
Floor to Door	23 7/16 in. (595 mm)
Reversible Door	Yes
Shipping Dimensions (WxDxH)	42 15/16 x 44 5/16 x 60 1/16 in. (1,090 x 1,125 x 1,526 mm)
Net Weight Gas Steam EL	396 lbs. (179.5 kg) 458 lbs. (207.5 kg) 383 lbs. (173.5 kg)
Crated Weight Gas Steam EL	426 lbs. (193 kg) 488 lbs. (221 kg) 413 lbs. (187 kg)
Min. Recommended Distance Between Machines	13/16 in. (20 mm)
Agency Approvals	Intertek



Heating	Voltage (Voltage/Hz/Phase)	Wire	Circuit Breaker Amps	Running Amps	Total Power (kW)
Gas	208, 240/60/1	2 Wire + Ground	15	5	0.6
Steam	208, 240/60/1	2 Wire + Ground	15	5	0.6
Electric	208, 240/60/3	3 Wire + Ground	70	51.2	20.2

Specifications subject to change without notice or obligation.
Contact Miele USA at (800) 991-9380 or Miele Canada at
(888) 325-3957 for dimensions not shown or for clarification.