



No Heater



Steam Indirect



Electric Heating



## PW 6321 | 75 lbs.

### Features

- Profitronic M: Freely programmable controls
- Short program cycles
- Patented Honeycomb Drum
- Electronic imbalance monitoring
- G-force of 447
- High durability: tested for 30,000 operating hours
- Safe disinfection
- Low consumption values

#### Exclusive to Miele



### Patented Honeycomb Drum

The sculptured structure of the Miele Honeycomb Drum allows garments to glide gently on a thin film of water.

#### Exclusive to Miele



### Patented Pre-Spin

The patented pre-spin removes excess water from cleaning cloths as soon as the program starts and reduces soiling.



### Short Program Cycles

Premium commercial technology allows you to benefit from quick and efficient program cycles.



### Safe Disinfection

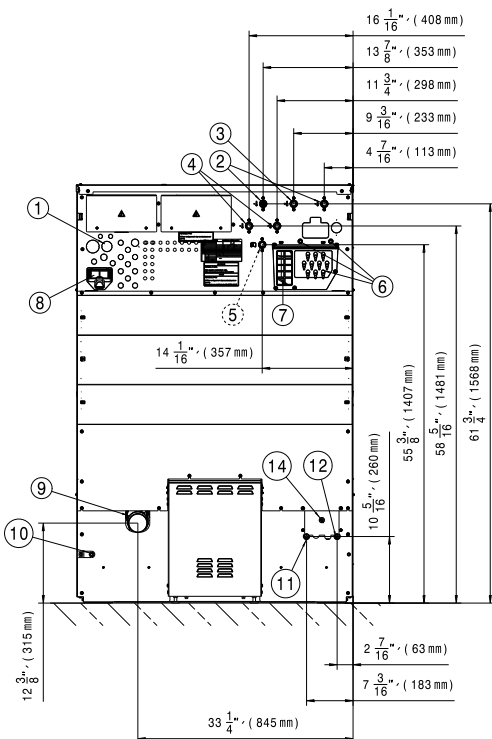
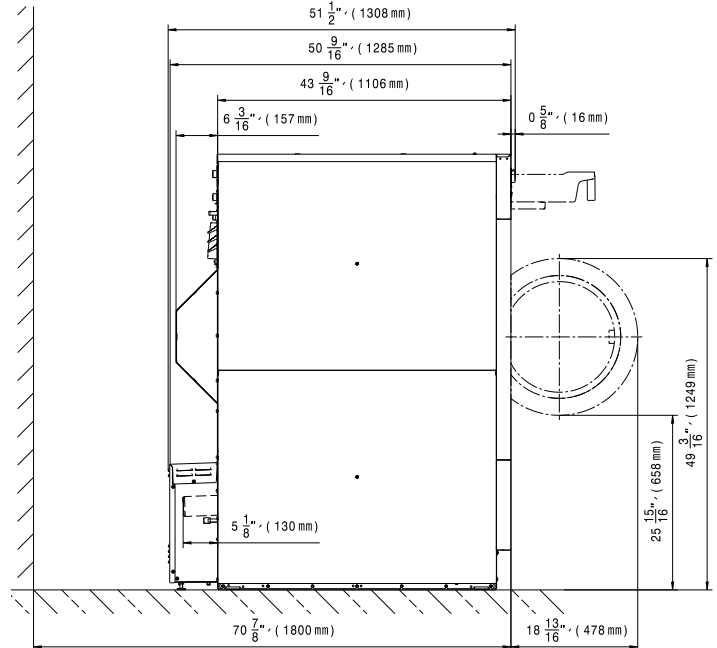
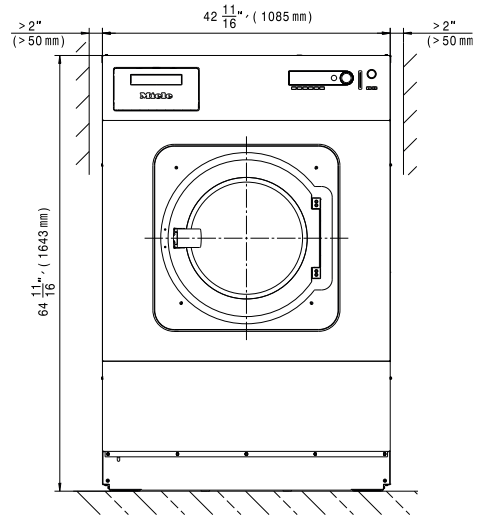
Ensure reliable levels of hygiene, with special programs for thermal and chemo-thermal disinfection.\*

*\*May not apply for No Heater version.*

Model	Heat Type	Electrical Specification Voltage/Hz/Phase (Amp)	Color	Material No.	Article No.
PW 6321	No Heater	240/60/1 (2 x 30 A)	Iron Grey	12092330	51632179NAM
PW 6321	No Heater	240/60/1 (2 x 30 A)	Stainless Steel	12092310	51632159NAM
PW 6321	Steam	240/60/1 (2 x 30 A)	Iron Grey	12092360	51632189NAM
PW 6321	Steam	240/60/1 (2 x 30 A)	Stainless Steel	12092350	51632149NAM
PW 6321	Steam	208, 240/60/3 (3 x 20 A)	Stainless Steel	12088690	51632187NAM
PW 6321	Electric	208, 240/60/3 (3 x 70 A)	Iron Grey	12092270	51632167NAM
PW 6321	Electric	208, 240/60/3 (3 x 70 A)	Stainless Steel	12088700	51632107NAM
PW 6321	Electric	440, 480/60/3 (3 x 45 A)	Stainless Steel	12092240	51632106NAM

## Specifications

Capacity	75 lbs. (34 kg)
Cylinder Diameter	16 <sup>15</sup> / <sub>16</sub> in. (430 mm)
Cylinder Depth	25 <sup>1</sup> / <sub>16</sub> in. (636 mm)
Cylinder Volume	11.3 cu.ft. (320 l)
Machine Dimensions (WxDxH)	42 <sup>7</sup> / <sub>8</sub> x 51 <sup>9</sup> / <sub>16</sub> x 64 <sup>13</sup> / <sub>16</sub> in. (1,089 x 1,309 x 1,646 mm)
Door Opening	16 <sup>15</sup> / <sub>16</sub> in. (430 mm)
Floor to Door	25 <sup>15</sup> / <sub>16</sub> in. (658 mm)
Reversible Door	No
Shipping Dimensions (WxDxH)	49 <sup>11</sup> / <sub>16</sub> x 51 <sup>15</sup> / <sub>16</sub> x 67 <sup>5</sup> / <sub>16</sub> in. (1,262 x 1,472 x 1,710 mm)
Net Weight	1,534 lbs. (696 kg)
Crated Weight	1,647 lbs. (747 kg)
Wash Speed	38 rpm
Extract Speed	1,000 rpm
G-force	447
Water Inlets	7-8 x 3/4 in. (178-203 x 19 mm)
Hot Water (No Heater version)	1 x 1 in. (26 x 26 mm)
Steam Inlets (Steam version)	2 x 1/2 in. (51 x 13 mm)
Drain Diameter	DN 70 (75 mm) 2 <sup>15</sup> / <sub>16</sub> in.
Recommended Water Pressure	14.5 -145 psi
Water Flow	52.8 gal/min. (200 l /min.)
Min. Recommended Distance Between Machines	2 in. (50 mm)
Agency Approvals	Intertek



Heating	Voltage (Voltage/Hz/Phase)	Wire	Circuit Breaker Amps	Running Amps	Total Power (kW)
No Heater	240/60/1	2 Wire + Ground	30	28.1	4.4
Steam	240/60/1	2 Wire + Ground	30	28.1	4.4
Steam	208, 240/60/3	3 Wire + Ground	20	17	4.4
Electric	208, 240/60/3	3 Wire + Ground	70	63	26.2
Electric	440, 480/60/3	3 Wire + Ground	45	40	33.3

Specifications subject to change without notice or obligation.  
Contact Miele USA at (800) 991-9380 or Miele Canada at  
(888) 325-3957 for dimensions not shown or for clarification.