

1

AL

UL

2

600 mm

900 mm

$\geq 112\text{mm}$

$G=279(+\text{max. } 50^*)$

T

*en - with depth stop (optional)
*zh - 带有个深度限位器 (可选的)

T=K-G

3

16mm

4x T20 4 x 15 mm

19mm

4x T20 4 x 15 mm

4

2x en - depth stop (optional)
zh - 个深度限位器 (可选的)

5 UL

8x T20 M4x8,5

Miele
DKFS 31-P
DKFS 31-R

6

T20 DAS x6xx 2x
DAS x9xx 4x

7 AL

Click

8

Click

Click

Demontage 拆卸

2. Screwdriver

1. Press

9

4x T20
4x30mm

10

4x 4x15 mm T20

1x

2x

11

1x T20 4x15mm

1x T20 4x15mm

en - If the furniture unit does not have a non-yielding rear wall, the retaining brackets must be attached to the kitchen wall. To do this, suitable means of attachment must be used.

zh - 如果櫥櫃沒有堅固的後壁，固定支架必須安裝至廚房牆壁上。要執行此操作，必須使用適當的连接方式。

12 UL

Miele
DKF 31-P
DKF 31-R

13

Click

14

Miele
DUU 151

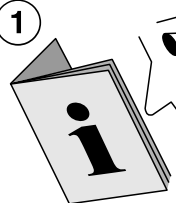
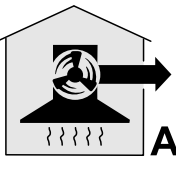

15 UL

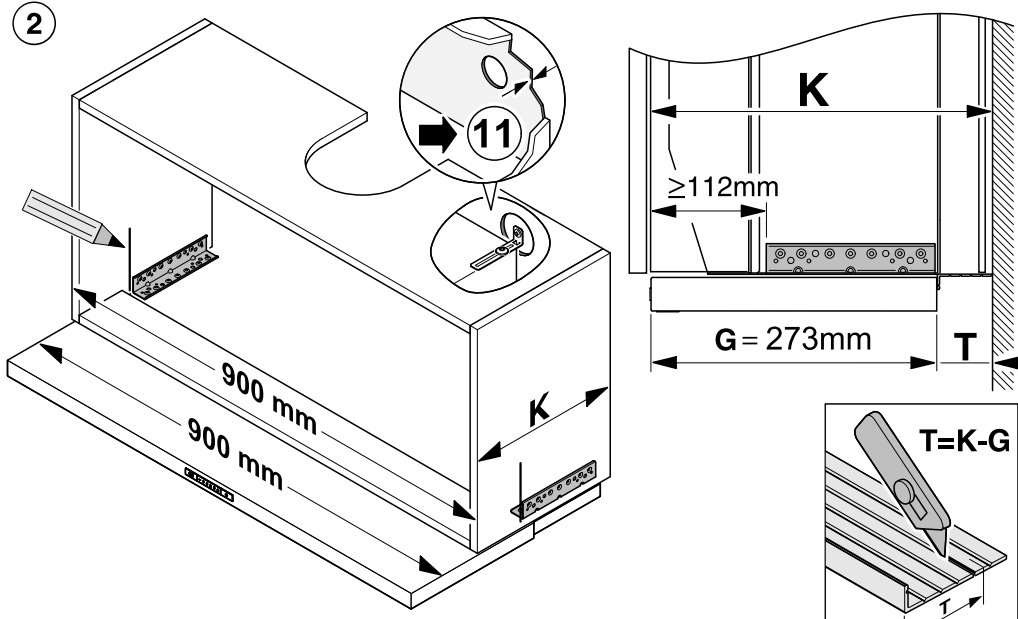
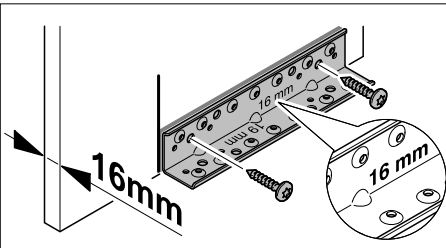
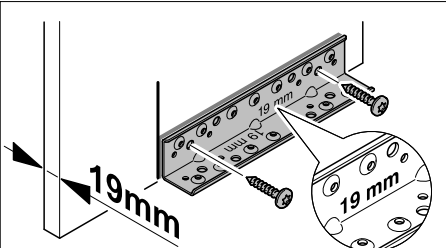
Miele
DUU 150

17

HK

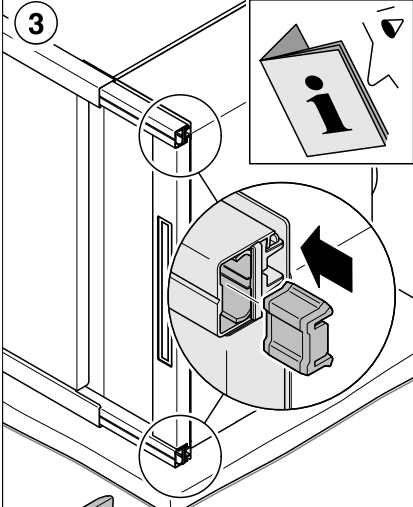
BR

1   

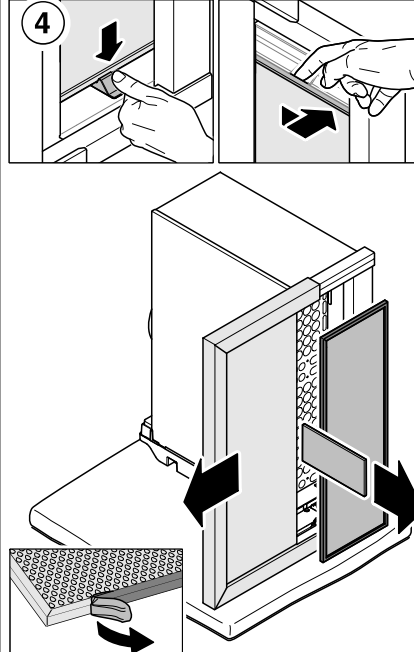
2   

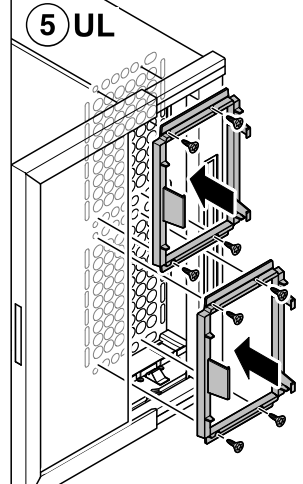
4x T20 → 4x15 mm

4x T20 → 4x15 mm

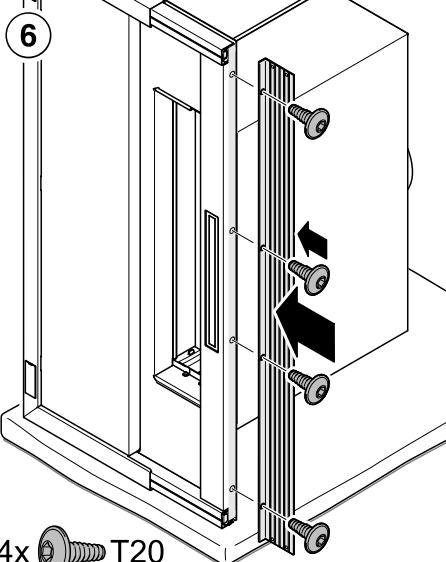
3 

2x en-Depth stop (optional)
zh-安装深度限位器 (可选)

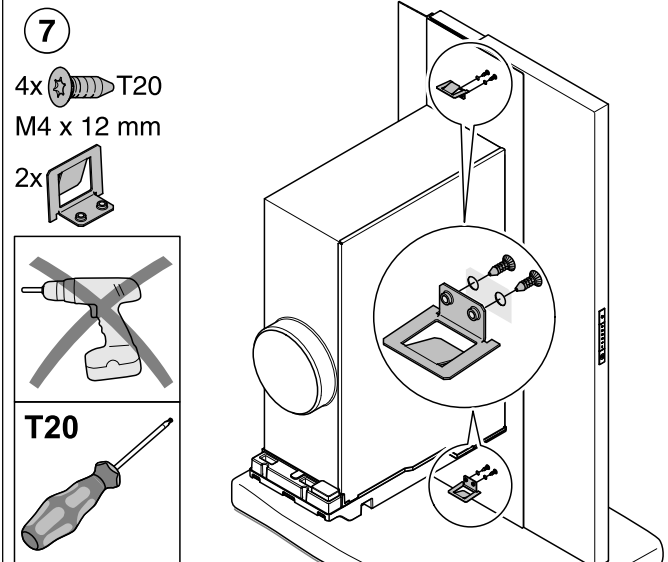
4 


5 UL 


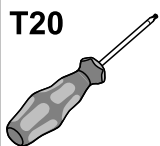
Miele
DKFS 31-P
DKFS 31-R
8x T20 M4x8,5

6 

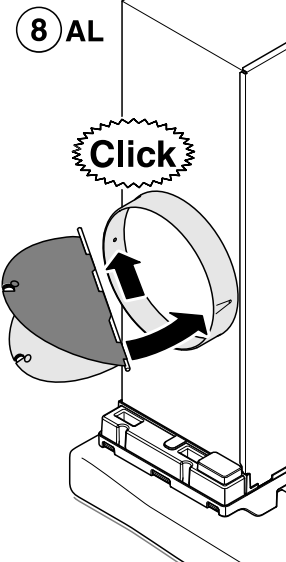
4x T20

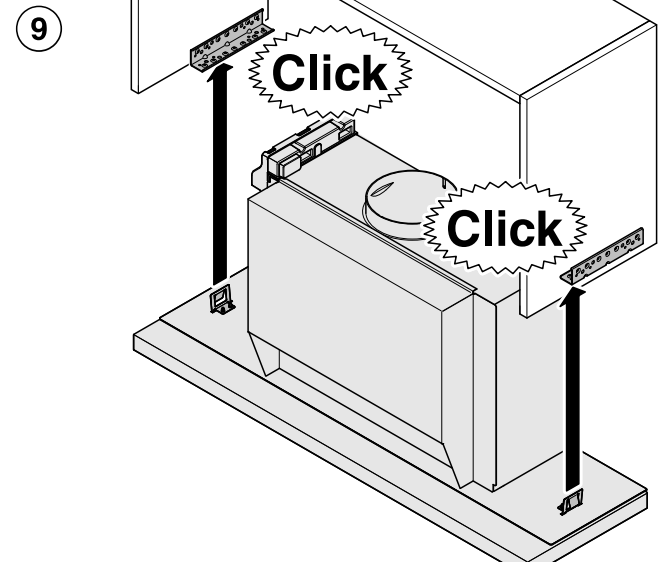
7 

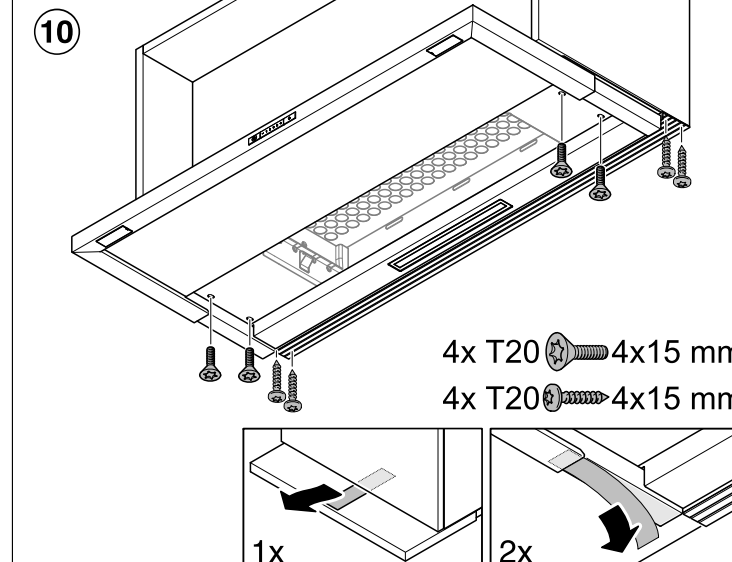
4x T20
M4 x 12 mm
2x 

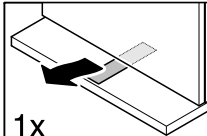
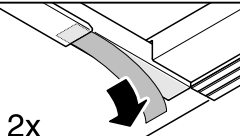
T20

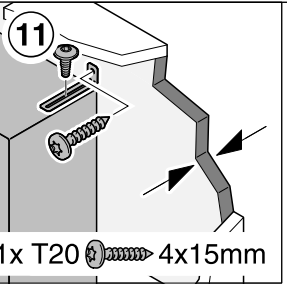
8 AL 

9 

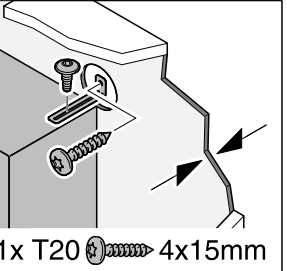
10 

4x T20 → 4x15 mm
4x T20 → 4x15 mm

1x  2x 

11 

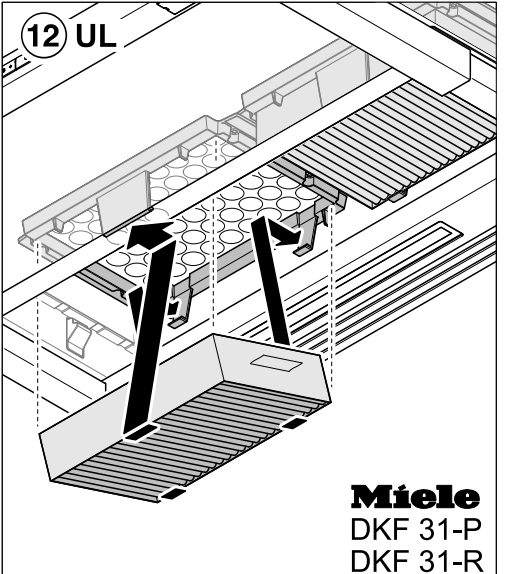
1x T20 → 4x15mm



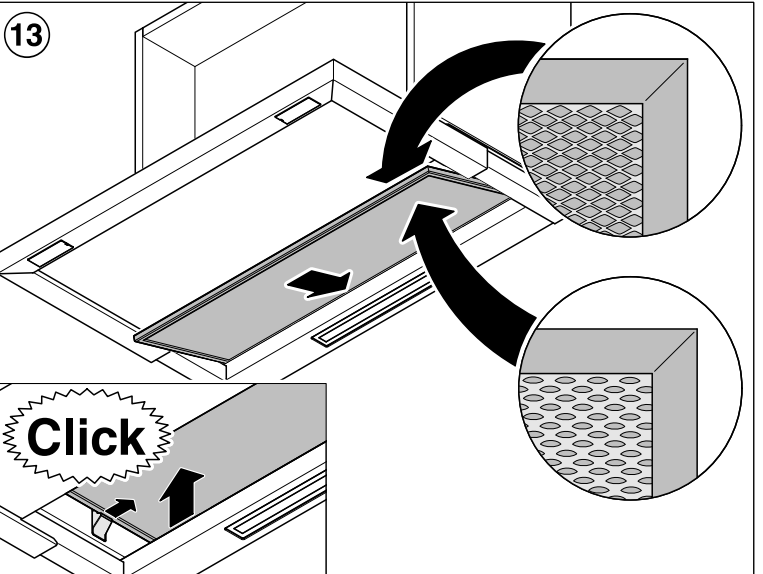
1x T20 → 4x15mm

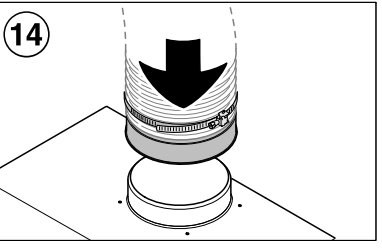
en - If the furniture unit does not have a non-yielding rear wall, the retaining brackets must be attached to the kitchen wall. To do this, suitable means of attachment must be used.

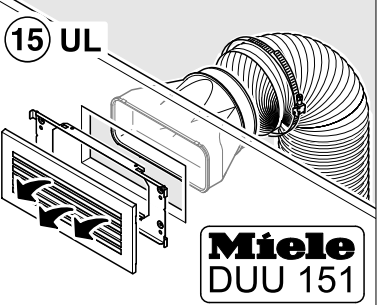
zh - 如果櫥櫃沒有堅固的後壁，固定支架必須安裝至廚房牆壁上。要執行此操作，必須使用適當的連接方式。

12 UL 

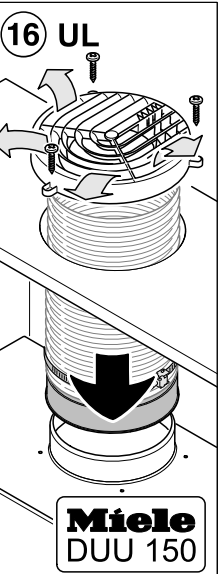
Miele
DKF 31-P
DKF 31-R

13 

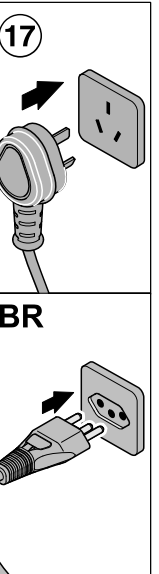
14 

15 UL 

Miele
DUU 151

16 UL 

Miele
DUU 150

17 

BR