

Installation plan

PWD 8682

Contents

Information on the installation plan	3
Definition of terms	3
Appliance dimensions	4
Freestanding machines	4
Built-under machines	5
Connections	6
Installation notes	9
Environmental requirements.....	9
Vapour barrier for built-under machines	9
Electrical connection	9
Equipotential bonding.....	9
Electromagnetic compatibility (EMC).....	10
Network connection	11
Water connection.....	12
Water inlet	12
Drainage	13
Technical data	14
Electrical connection	14
Water inlet	15
Drainage.....	15
Dimensions	16
Weights.....	16
Emission values	17
Heat dissipation.....	17
Sound pressure level.....	17
Operating conditions	17
Storage and transportation conditions	17

For safe installation and commissioning of the washer-disinfector please read the installation plan, the service documentation and the operating instructions.

This installation plan includes the dimensions of the washer-disinfector, the technical data and the installation requirements to be met on the customer's site.

The machine's equipment will vary by version and can be expanded with additional options. The installation plan describes the maximum equipment configuration.
Certain connections are not required for every equipment version.

Installation requirements

This machine must only be installed and commissioned by the Miele Customer Service Department or a suitably authorised technician.

Installation should only be performed in accordance with valid regulations, relevant standards and health and safety codes.

Definition of terms

Cleaning machine

In this installation plan, the washer-disinfector is referred to as "the machine".

Wash water

The term "wash water" refers to water or to a mixture of water and process chemicals.

Process chemicals

All media dispensed during a programme sequence are generally referred to as process chemicals, e.g. cleaning agents.

Machine versions

SD Steel door
GD Glass door

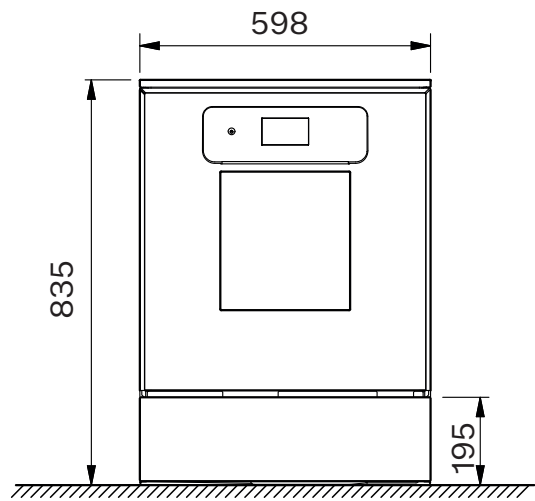
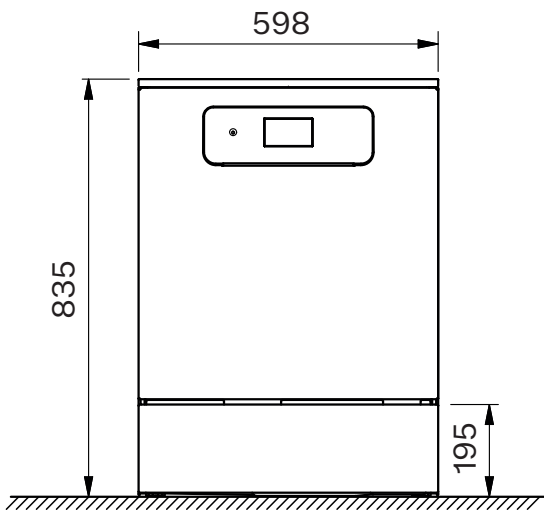
Appliance dimensions

Freestanding machines

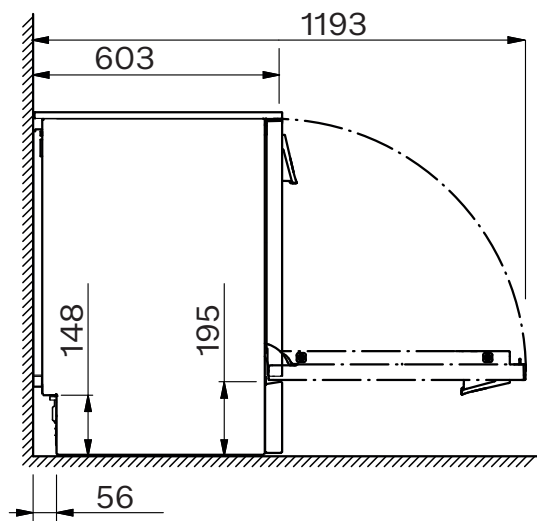
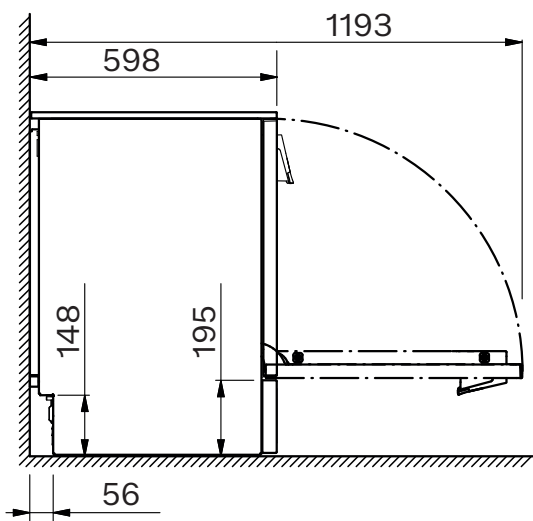
SD

GD

Front view



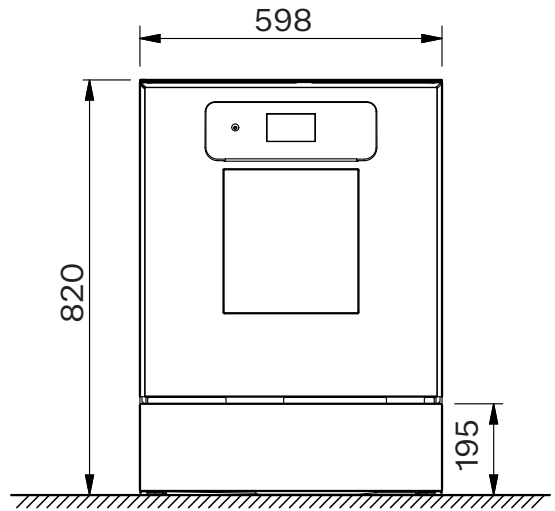
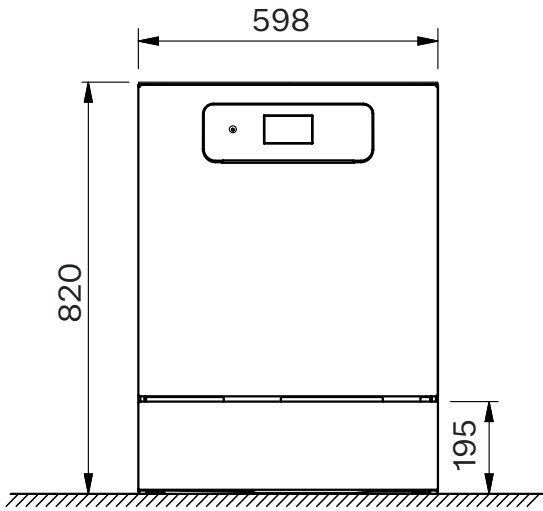
Side view



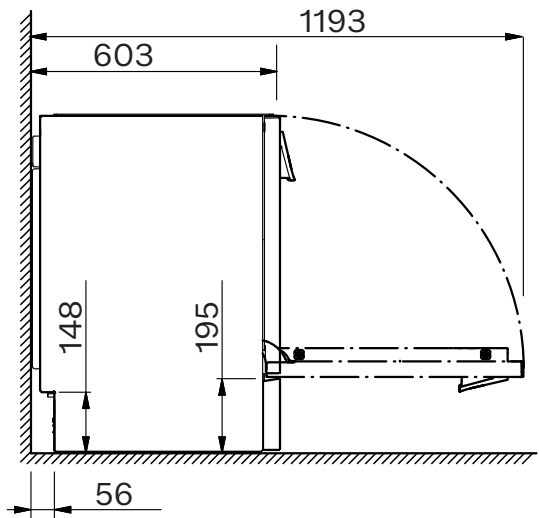
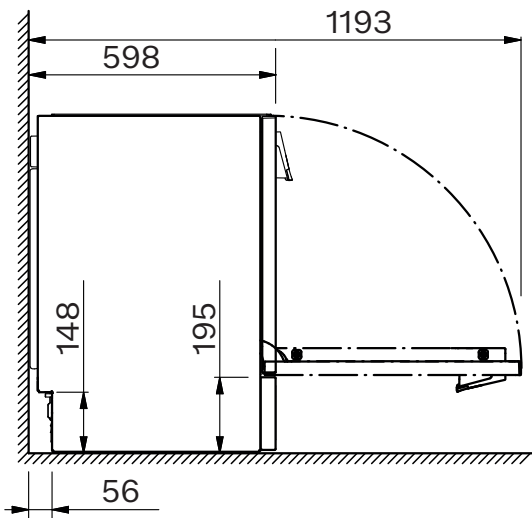
Built-under machines

	SD	GD
--	----	----

Front view

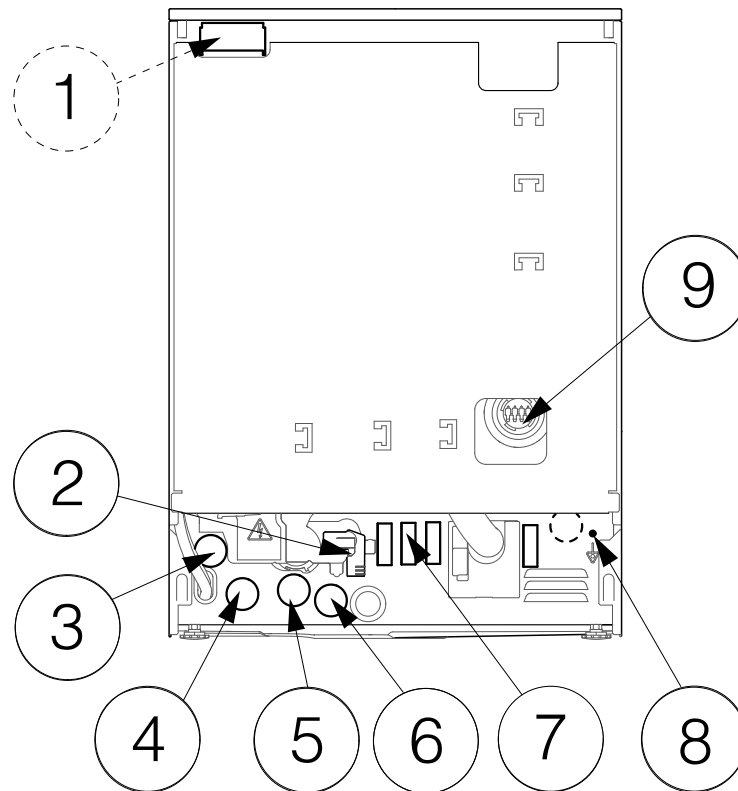


Side view



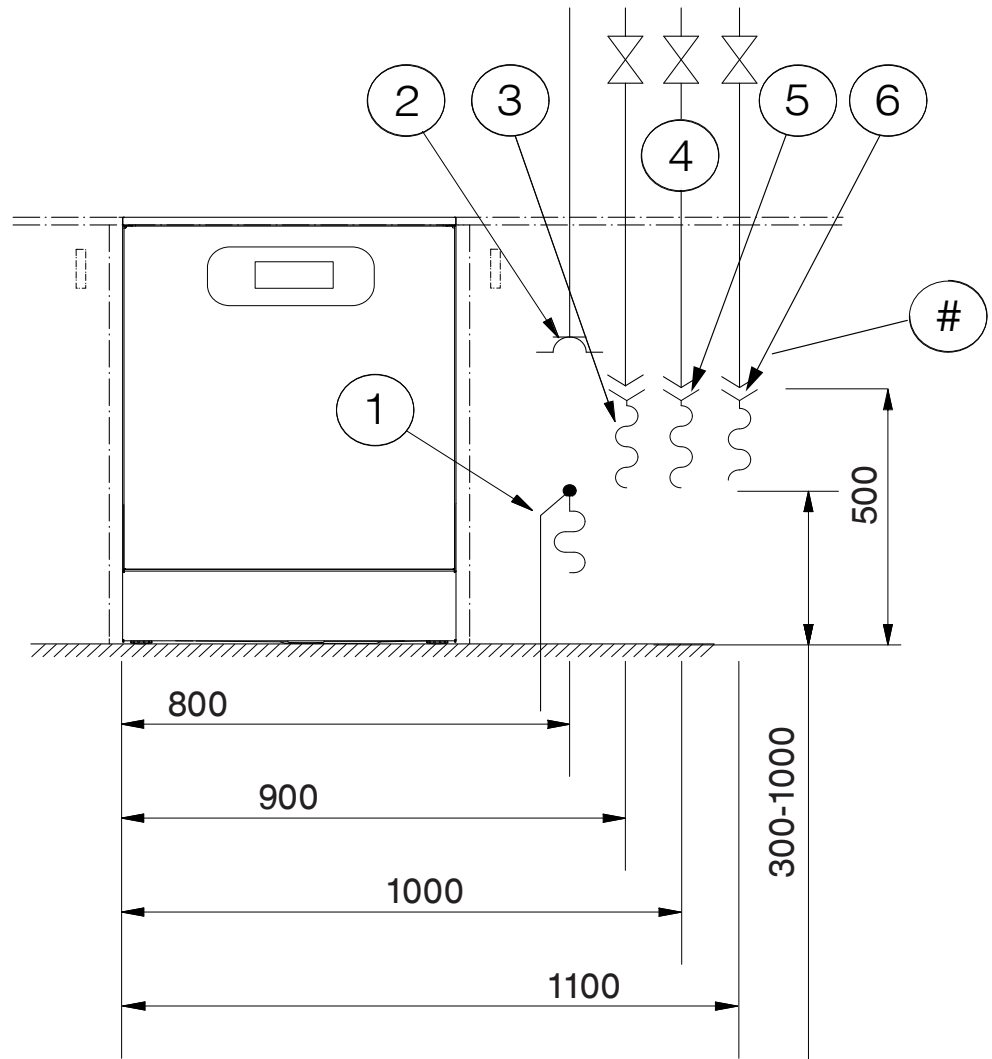
Connections

Rear view

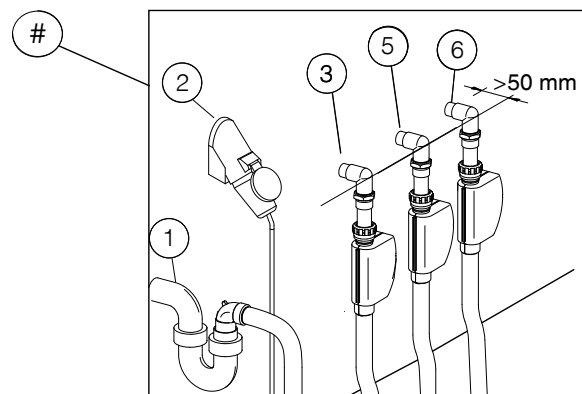


- ① Network connection (optional)
- ② Waste water
- ③ Demineralised water
- ④ Cold water
- ⑤ Mains connection cable
- ⑥ Hot water
- ⑦ External dispensing, power supply connection
- ⑧ Equipotential bonding
- ⑨ External dispensing, connection for dispensing hose

On-site connections

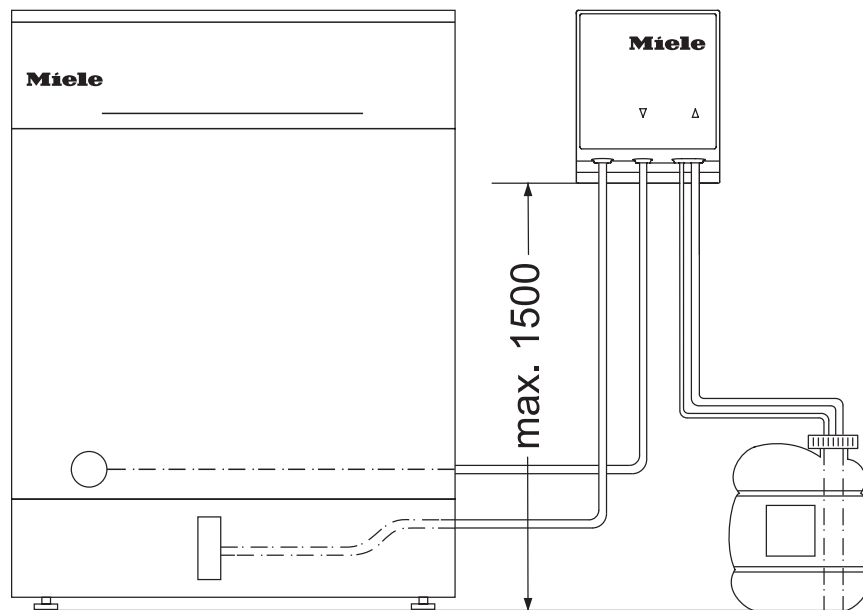


- ① Waste water
- ② Mains connection cable
- ③ Demineralised water
- ④ Stopcocks
- ⑤ Cold water
- ⑥ Hot water



Connections

External dispensing



Max. delivery head	1.5 m
Length of dispensing hose, DOS module to suction lance	1.8 m
Length of dispensing hose, back of machine to DOS module	2.8 m
Length of mains connection cable, back of machine to DOS module	2.8 m

Place the container next to the machine on the floor or in an adjacent cabinet.
The container must not be placed on the machine or above the machine.

Environmental requirements

Condensation can build up in the area surrounding the machine. Any furniture and fittings in the room must therefore be suitable for purpose.

Vapour barrier for built-under machines

The vapour barrier supplied protects the worktop from damage caused by steam when the door is opened. Fit the vapour barrier above the door under the worktop.

Electrical connection

All work on the electrical connection must be carried out by Miele Customer Service or a qualified electrician.

The customer's installation of the machine must comply with over-voltage category CAT II in accordance with IEC 61010-1.

The mains voltage must not fluctuate by more than $\pm 10\%$ around the nominal voltage.

Main switch

Install a main switch on the customer's site that is capable of disconnecting the machine at all poles. The main switch must:

- Have a contact gap of at least 3 mm
- Be designed to operate at the rated current of the machine
- Be able to be locked in the zero position
- Be accessible after the machine has been installed

The mains connection cable must be laid protected from the risk of thermal damage.

Plug connection

Connect the cleaning device to the mains power supply using a suitable socket that complies with national regulations.

Hard-wired

Alternatively, the machine can be connected via a hard-wired connection.

Residual current device (RCD)

For added safety, every machine should be protected by an RCD type A with a trip current of 30 mA.

The RCD must be installed so that it is easily accessible.

Equipotential bonding

The washer is able to accommodate equipotential bonding. The connection screw (M 8) is located on the rear of the machine.

Equipotential bonding should be carried out if possible on the customer's site.

Electromagnetic compatibility (EMC)

The machine has been tested for electromagnetic compatibility (EMC, class B) in accordance with EN 61326-1 and is suitable for operation in commercial environments, such as hospitals, medical practices and laboratories and other similar environments which are connected to the public supply network.

The machine's high frequency (HF) energy emissions are very low and are therefore unlikely to interfere with other electronic machines in the vicinity.


Flooring at the installation site must be wood, concrete or tiled. Synthetic flooring must be able withstand a relative humidity level of at least 30 % to minimise the risk of electrostatic discharges.

The quality of the supply voltage should comply with that found in a typical commercial or hospital environment. Check that the power supply voltage is within a range of +/-10 % of its nominal value.

Network connection

The machine can be integrated into a customer's network via an Ethernet interface.

The operator is responsible for the secure configuration and operation of the network. Creating a secure configuration reduces the scope for the machine to be attacked. Non-secure configurations can make it easier for potential attackers to gain unauthorised access.

 Unauthorised access poses a risk.

Settings in the machine may be changed as a result of unauthorised access via the network.

Under no circumstances should it be possible to access the machine via public or unsecured networks, either directly or indirectly (e.g. using port forwarding).

The IP addresses from 192.168.10.1 to 192.168.10.255 are reserved for Customer Service. They must never be set in the internal network.

Please also note the following recommendations for the network configuration of the machine:

1. Configure the network in which the machine is located with as many restrictions as possible:
 - Only allow machines or persons access to the network if absolutely necessary
 - Use a VLAN for network segmentation, for example
2. Make sure to create a secure configuration for all machines connected to the network, e.g. with the help of:
 - The information on network security in the operating instructions for the connected machines
 - The recommendations of the German Federal Office for Information Security (<https://www.bsi.bund.de>) for Europe and relevant cyber security centres in your country.
3. Pay particular attention to the following areas:
 - User management
 - Staff entering and exiting
 - Authorisation
 - Authentication
 - Update management, etc.

Installation notes

Water connection

Water inlet

AU, NZ Installation requirements:

The dual check valve supplied separately with this product must be installed between the tap and the water inlet hose.

Screw the dual check valve onto the tap. Then screw the water inlet hose with the water protection system onto the thread of the dual check valve.

Turn on the the tap gradually to test for leaks. If there is a leak, the connection might not be on securely, or it may have been screwed on at an angle. Unscrew and reconnect the water inlet hose correctly before tightening it.

UK Installation requirements:

The double check valve supplied with this product must be installed between the stopcock and the water inlet hose.

Screw the double check valve onto the stopcock. Then screw the water inlet hose with the water protection system onto the thread of the double check valve.

The machine must only be connected to fully vented pipework. A brief increase in the water pressure can damage components of the machine.

The quality of the incoming water must at least correspond to the drinking water specification of the country in which the machine is being operated.

The machine must be connected to cold and hot water. If hot water is not available, the inlet hose for hot water must be connected to the cold water supply. For this purpose, a Y-piece can be used on the cold water inlet on the customer side.

To be able to use the programmes supplied by the factory, a DI water connection is also required.

The connections with stopcocks at the customer's site must have 3/4" flat-sealing external threads.

The stopcocks must be accessible after the machine has been installed.

DI water ring line

The machine can be connected to a ring line system for DI water. For this purpose, a retrofitting kit must be installed in the machine by Miele Customer Service or an authorised technician and the control system must be set accordingly.

Drainage

The machine should be connected to a separate on-site drainage system for the washer only. If a separate connection is not available, we recommend connecting the hose to a dual-chamber siphon. The waste water pipes must be temperature-resistant to at least 93 °C. If the hose is to be fitted directly to the drainage system on site, use the supplied hose clip.

The on-site connector for the drain hose can be adapted to different hose diameters. If the connector extends more than 30 mm into the drain hose, it must be shortened. Otherwise, the drain hose can become blocked.

Lay the drain hose so that it does not kink and is not being subjected to pressure or tension.

If the on-site drain connection is situated lower than the guide path for the lower basket rollers in the open door, a siphoning effect during a programme can cause the wash cabinet to empty itself of water. In this case, lay the drain hose with a bend in it so that its highest point is at least level with the guide path for the lower basket rollers.

Technical data

Electrical connection

Option 1

	Default	Voltage variant *
Voltage	3N AC 400 V	AC 230 V
Frequency	50 Hz	50 Hz
Fuse rating	3 x 16 A	15-16 A
Plug	-	-
Mains connection cable length	1.9 m	1.9 m
Mains connection cable cross-section	5 x 2.5 mm ²	3 x 1.5 mm ²
Heater rating	8.5 kW	2.5 kW
Total rated load	9.3 kW	3.3 kW

Option 2

	Default	Voltage variant *
Voltage	AC 230 V	AC 230 V
Frequency	50 Hz	50 Hz
Fuse rating	30-32 A	15-16 A
Plug	+	-
Mains connection cable length	1.9 m	1.9 m
Mains connection cable cross-section	3 x 4 mm ²	3 x 1.5 mm ²
Heater rating	5.5 kW	2.5 kW
Total rated load	6.3 kW	3.3 kW

* Conversion work done by the Miele Customer Service Department

Water inlet

Water connections	
- Cold water	1
- Hot water	1
- Demineralised water	1
Water temperature	
- Cold water	5–20 °C
- Hot water	5–65 °C
- Demineralised water	5–20 °C
Connection hose length	1.7 m
Connection at the customer's site with stopcock, flat-sealing external thread	3/4"
Water connection pressure	200–1000 kPa
Flow rate	3 l/min
Water hardness	0–10.7 mmol/l
Chloride content	<100 mg/l
Demineralised water	
- Recommended conductivity	<15 µS/cm
- pH value	5–8

Drainage

Drain hose length	1.4 m
Max. drain hose length	4 m
Max. delivery head from floor	1 m
Max. water temperature	93 °C
Max. transient flow rate	16 l/min
Hose inner diameter (Ø)	22 mm
Waste water pipe	≥ DN 50

Technical data

Dimensions

	SD	GD
Height of freestanding machine	835 mm	835 mm
Height of built-under machine	820 mm	820 mm
Height adjustment	+60 mm	+60 mm
Width	598 mm	598 mm
Depth	598 mm	603 mm
Depth including control panel	639 mm	644 mm
Depth with door open	1193 mm	1193 mm

Weights

	SD	GD
Freestanding machine		
Net weight	74 kg	80 kg
Max. operating weight	130.5 kg	139 kg
Maximum load capacity of open door	37 kg	37 kg
Maximum load capacity of machine lid	69 kg	69 kg
Max. individual load (Ø 38 mm)	330 N	350 N
Max. surface load (load-bearing capacity of floor)	3.65 kN/m ²	3.88 kN/m ²
Built-under machine		
Net weight	72 kg	78 kg
Max. operating weight	128,5 kg	137 kg
Maximum load capacity of open door	37 kg	37 kg
Max. individual load ((Ø 38 mm)	320 N	340 N
Max. surface load (load-bearing capacity of floor)	3.59 kN/m ²	3.83 kN/m ²

Emission values

Heat dissipation

Heat output into the room	5.4 MJ/h
---------------------------	----------

Sound pressure level

Sound pressure level LpA during cleaning and drying	<65 dB(A) re 20 µPa
---	---------------------

Operating conditions

Ambient temperature	5–40 °C
---------------------	---------

Relative humidity:

Minimum	10 %
---------	------

Maximum, for temperatures up to 31 °C	80 %
---------------------------------------	------

Linear decreasing for temperatures up to 40 °C	50 %
--	------

Max. altitude above sea level	2000 m *
-------------------------------	----------

* If installed above 1500 m, the boiling point of the wash water will be lower. In this case, Customer Service must adjust the disinfection temperature and the holding time.

Storage and transportation conditions

Ambient temperature	-20 to +60 °C
---------------------	---------------

Relative humidity	10–85 %
-------------------	---------

Air pressure	500–1060 hPa
--------------	--------------

Maximum weight including packaging	93.5 kg
------------------------------------	---------

Maximum floor load on transport route	935 kN
---------------------------------------	--------

Site access dimensions including transport pallet

Height	920 mm
--------	--------

Width	670 mm
-------	--------

Depth	740 mm
-------	--------

Miele

Manufacturer:

Miele & Cie. KG
Carl-Miele-Straße 29
33332 Gütersloh
Germany

Manufacturing site:

Miele & Cie. KG
Mielestraße 2
33611 Bielefeld
Germany

Internet: www.miele.com/professional