



Operating instructions Heat pump tumble dryer



It is **essential** to read these operating instructions before installing and using the appliance. This prevents both personal injury and damage to the appliance.

Contents

Caring for the environment	6
Warnings and safety instructions	7
Operating the tumble dryer	16
Control panel.....	16
Display.....	18
Examples on how to operate the appliance	18
Before using for the first time	19
Installation.....	19
Downtime after installation.....	19
Information about networking	19
Miele@home.....	19
Wash2Dry  	20
Energy saving tips	23
Energy saving tips.....	23
Feedback	24
1. Notes on correct laundry care	25
Points to note regarding washed laundry	25
Preparing the laundry before drying.....	25
Drying.....	26
Care symbols.....	26
Selecting the correct drying level.....	26
2. Loading the tumble dryer	27
Loading the laundry.....	27
Checking the FragranceDos socket	27
3. Selecting a programme	28
Switching on the tumble dryer	28
4. Selecting programme settings	31
Selecting the drying level	31
Selecting the running time for timed programmes	31
Selecting Extras	31
◇ Delay start/SmartStart.....	32
5. Starting the programme	34
Starting a programme.....	34
6. End of programme - unloading the drum	35
At the end of the programme	35
Removing the laundry	35

Programme chart	36
Programmes on the control panel.....	36
Further programmes	39
Extras	42
DryFresh	42
DryCare 40.....	42
PowerFresh	43
Buzzer.....	43
Drying programme overview - Extras	44
Changing the programme sequence	45
Adding or removing laundry	45
Condensed water container	46
Emptying the condensed water container.....	46
Filling the condensed water container	47
Fragrance flacon	48
FragranceDos.....	48
Removing the protective seal from the fragrance flacon.....	48
Inserting the fragrance flacon.....	49
Opening the fragrance flacon	50
Closing the fragrance flacon	50
Removing/replacing the fragrance flacon.....	51
Cleaning and care	52
Fluff filters.....	52
Removing the fragrance flacon	52
Removing visible fluff	52
Cleaning the fluff filters and air flow openings thoroughly	53
Cleaning the fluff filters with water	54
Cleaning the plinth filter	54
Removing the plinth filter	54
Cleaning the plinth filter.....	55
Cleaning the plinth filter flap	56
Cleaning the dryer	57

Contents

Problem solving guide	58
Fault messages shown in the display when a programme is cancelled	58
Messages in the display	59
Unsatisfactory drying results.....	60
The drying process takes a long time.	61
General problems with the tumble dryer.....	62
Replacing the plinth filter	64
Regenerating the plinth filter	66
Checking the heat exchanger	66
Cleaning the fluff filter in the condensed water container	67
Replacing the condensed water spray jet.....	68
Service	69
Contact in case of fault.....	69
Optional accessories	69
Warranty	69
Installation	70
Front view	70
Rear view	71
Transporting the tumble dryer	71
Transporting the tumble dryer to its installation site.....	71
Installation.....	72
Levelling the dryer.....	72
Downtime after installation.....	72
Ventilation.....	72
Before moving the tumble dryer again (e.g. when moving house)	73
Additional installation requirements.....	73
Externally draining condensed water.....	74
Installation conditions requiring a non-return valve	74
Arranging the drain hose.....	74
Examples.....	75
Changing the door hinging	77
Changing the hinging over	77
Refitting.....	82
Electrical connection	83
Technical data	84
Consumption data	85

Settings	86
Calling up settings	86
Language 	86
Drying levels	86
Cooling down temperature	86
Welcome tone	87
Keypad tone	87
Buzzer volume	87
Buzzer duration	87
Airways indicator	87
Conductivity	88
Consumption data	88
Consumption	88
Code	88
Brightness	89
Display	89
Sensors active	89
Sensors inactive	89
Display switch-off status	89
Memory	89
Anti-crease	90
Programme info	90
Miele@home	90
Remote control	91
SmartGrid	91
Wash2Dry	91
RemoteUpdate	92
Running a RemoteUpdate	92
Factory default	92
Operating hours	92
Copyright and licences for operating and control software	92

Caring for the environment

Disposal of the packing material

The transport and protective packaging has been selected from materials which are environmentally friendly for disposal, and can normally be recycled.

Recycling the packaging reduces the use of raw materials in the manufacturing process and also reduces the amount of waste in landfill sites.

Ensure that any plastic wrappings, bags etc. are disposed of safely and kept out of the reach of babies and young children. Danger of suffocation.

Only for Australia: Note for installer: Expanded polystyrene (EPS) packaging included. Please retain and dispose of EPS packaging responsibly. For further information, please contact Miele.

Disposing of your old appliance

Electronic and electrical appliances contain many valuable materials. They also contain certain materials, compounds and components which were essential for their correct functioning and safety. These could be hazardous to your health and to the environment if disposed of with general waste or if handled incorrectly. Please do not, therefore, dispose of your old appliance with your household waste.



Take care not to damage the tumble dryer's pipework and heat exchanger before or during transportation to an authorised collection depot.

This is to ensure that refrigerant in the tumble dryer and oil in the compressor are contained, and will not leak into the environment.

Please dispose of it at your local community waste collection/recycling centre for electrical and electronic appliances, or contact Miele. You are also responsible for deleting any personal data that may be stored on the appliance being disposed of. Please ensure that your old appliance presents no danger to children while being stored awaiting disposal.

Warnings and safety instructions



It is essential to read these instructions.



This tumble dryer contains a refrigerant that is flammable and explosive.

This tumble dryer complies with all current local and national safety requirements. However, inappropriate use can lead to personal injury and damage to property.

Read the operating instructions carefully before using the tumble dryer. They contain important information on safety, installation, use and maintenance of the appliance. This prevents both personal injury and damage to the tumble dryer.

In accordance with standard IEC 60335-1, Miele expressly and strongly advises that you read and follow the instructions in “Installation”, as well as in the “Warning and Safety instructions”.

Miele cannot be held liable for injury or damage caused by non-compliance with these instructions.

Keep these operating instructions in a safe place and pass them on to any future owner.

Correct application

- ▶ This tumble dryer is designed for domestic use and for use in similar environments by guests in hotel or motel rooms, bed & breakfasts and other typical living quarters. This does not include common/shared facilities or commercial facilities within hotels, motels or bed & breakfasts.
- ▶ This tumble dryer is not suitable for outdoor use.

Warnings and safety instructions

▶ It must only be used to dry items which have been washed in a water solution and which are marked on the manufacturer's care label as being suitable for tumble drying. If using dry cleaning kits, do so at your own risk, and follow the instructions provided on the packaging.

Any other applications may be dangerous. Miele cannot be held liable for damage resulting from incorrect or improper use or operation.

▶ This appliance is not intended for use by persons (including children) with reduced physical, sensory or mental capabilities, or lack of experience or knowledge, unless they are supervised whilst using it or have been shown how to use it by a person responsible for their safety.

Safety with children

▶ Young children must not be allowed to use this appliance.

▶ Older children may only use the appliance when its operation has been clearly explained to them and they are able to use it safely, recognising the dangers of misuse.

▶ Children must not be allowed to clean or maintain the tumble dryer unsupervised.

▶ Please supervise children in the vicinity of the tumble dryer and do not let them play with it.

Technical safety

▶ Before setting up the tumble dryer, check it for any externally visible damage.

Do not install or use a damaged tumble dryer.

▶ Before connecting the tumble dryer, ensure that the connection data on the data plate (fuse rating, voltage and frequency) matches the mains electricity supply. If in any doubt, consult a qualified electrician.

Warnings and safety instructions

- ▶ Temporary or permanent operation with a self-sufficient or non-mains synchronous energy supply system (e.g. isolated networks, back-up systems) is possible. A requirement for the operation is that the energy supply system complies with all current local and national requirements that apply to stand-alone, solar and/or battery systems. The protective measures provided in the installation and in this Miele product must also be assured in their function and operation in isolated operation or in non-mains synchronous operation, or replaced with equivalent measures in the installation.
- ▶ The electrical safety of this tumble dryer can only be guaranteed when correctly earthed. It is essential that this standard safety requirement is met. If in any doubt, please have the household wiring system tested by a qualified electrician. Miele cannot be held liable for the consequences of an inadequate earthing system (e.g. electric shock).
- ▶ Do not connect the tumble dryer to the mains electricity supply by an extension lead. Extension leads do not guarantee the required safety of the appliance (e.g. danger of overheating).
- ▶ If the connection cable is faulty, it must only be replaced by a Miele authorised technician to protect the user from danger.
- ▶ Unauthorised repairs could result in unforeseen dangers for the user, for which Miele cannot accept liability. Repairs should only be undertaken by a Miele authorised service technician, otherwise any subsequent damage will not be covered by the warranty.
- ▶ Faulty components must only be replaced by genuine Miele spare parts. Miele can only guarantee the safety of the appliance when Miele replacement parts are used.
- ▶ In the event of a fault or for cleaning purposes, the tumble dryer is only completely isolated from the electricity supply when:
 - it is switched off at the wall socket and the plug is withdrawn, or
 - it is switched off at the mains circuit breaker.
- ▶ This tumble dryer must not be installed and operated in mobile installations (e.g. on a ship).
- ▶ Do not make any alterations to the tumble dryer, unless authorised to do so by Miele.

Warnings and safety instructions

▶ This tumble dryer is supplied with a special lamp to cope with particular conditions (e.g. temperature, moisture, chemical resistance, abrasion resistance and vibration). This special lamp must only be used for the purpose for which it is intended. It is not suitable for room lighting. Replacement lamps may only be replaced by a Miele authorised technician.

▶ This tumble dryer uses a gaseous refrigerant which is condensed by the compressor. Having been increased to a high temperature level by compression, the refrigerant passes through a closed refrigerant circuit. The heat generated is transferred to the drying air as it passes through the heat exchanger.

- The humming noises caused by the heat pump during the drying process are normal. They do not impair the correct functioning of the dryer.
- The refrigerant is environmentally friendly and does not damage the ozone layer.

 Damage to the tumble dryer by switching it on too soon.

This can damage the heat pump.

After setting up the tumble dryer, wait for at least one hour before starting a drying programme.



▶ The R290 refrigerant contained in this tumble dryer is flammable and explosive. If the tumble dryer is damaged, proceed as follows:

- Avoid naked flames or anything which creates a spark.
- Disconnect the dryer from the electricity supply.
- Air the room where the tumble dryer is located.
- Contact Miele Customer Service.

 Risk of fire and explosion due to damage to the tumble dryer.

The refrigerant is flammable and explosive if it leaks.

Take measures to protect the tumble dryer against damage. Do not make any alterations to the tumble dryer.

▶ Follow the instructions in “Installation” and “Technical data”.

Warnings and safety instructions

- ▶ The plug and socket must be accessible at all times in order to be able to disconnect the tumble dryer from the power supply.
- ▶ Do not block the gap between the bottom of the tumble dryer and the floor with plinth facings, deep pile carpet etc. This would hinder a sufficient flow of air to the tumble dryer.
- ▶ Make sure the dryer door can be opened without hindrance after installation.
- ▶ In areas which may be subject to infestation by cockroaches or other vermin, pay particular attention to keeping the appliance and its surroundings in a clean condition at all times. Any damage which may be caused by cockroaches or other vermin will not be covered by the warranty.

Correct use



**WARNING:
FLAMMABLE MATERIAL**

⚠ Warning: Risk of fire / Flammable materials.

To avoid the possible danger of fire, please read these warnings carefully.

⚠ A clogged filter is a fire hazard!

The fluff filter must be cleaned after every programme.

- ▶ The maximum load for this tumble dryer is 9.0 kg (dry weight). See the “Programme chart” for the maximum recommended loads for individual programmes.

Warnings and safety instructions

- ▶ To prevent the risk of fire, do not connect the tumble dryer via a controllable socket (e.g. a timer or a peak-load switch-off device). If the drying programme is interrupted before the end of the cooling down phase, this could cause the laundry to self-ignite.
- ▶ **Warning:** Ensure that you always wait until the end of the programme before removing the laundry. If the drying programme is stopped prematurely, remove the laundry immediately and hang it up or spread it out to cool it down.
- ▶ Fabric softener and similar products must be used according to the instructions on the manufacturer's packaging.
- ▶ Remove all items from pockets (e.g. lighters, matches).
- ▶ The fluff filters must be cleaned after every drying cycle. Fluff must not be allowed to accumulate around the tumble dryer.
- ▶ The fluff filters and the plinth filter must be thoroughly dried after cleaning. Do not replace them if they are damp or wet. Damp or wet filters could cause operational faults.
- ▶ Oil-affected items can ignite spontaneously, especially when exposed to heat sources such as in a tumble dryer. The items become warm, causing an oxidation reaction in the oil. Oxidation creates heat. If the heat cannot escape, the items can become hot enough to catch fire. Piling, stacking or storing oil-affected items can prevent heat from escaping and so create a fire hazard. If it is unavoidable that fabrics contaminated with vegetable or cooking oil, or hair care products, are placed in a tumble dryer, they should first be washed in hot water with extra detergent - this will reduce, but not eliminate, the hazard.
- ▶ To prevent the risk of fire, textiles that have not been cleaned thoroughly or are still soiled with deposits of any kind must not be dried in this tumble dryer. This applies in particular to
 - Items which have not been washed.
 - Items, such as workwear, which have not been thoroughly cleaned and are still soiled with grease, oil or other deposits (such as cooking oils, cosmetics, lotions, etc.). If items have not been

Warnings and safety instructions

thoroughly cleaned, there is a danger that they might ignite when heated, even after they have been removed from the tumble dryer at the end of the programme.

- Items that have been soiled with substances such as cooking oil, acetone, petrol, kerosene, spot removers, turpentine, waxes, wax removers and other chemicals (e.g. mops and floor cloths).
- Items which have been splashed with hair lacquer, hair spray, nail varnish remover or similar substances.

When washing such heavily soiled items:
Ensure that you use a larger quantity of detergent and select a high temperature. If in doubt, wash the items several times.

► To prevent the risk of fire, the following textiles must never be dried in the tumble dryer:

- Textiles that have been cleaned using chemicals (e.g. professional dry-cleaning agents).
- Textiles which contain a large proportion of rubber, foam rubber or rubber-like materials. For example, products made from latex foam rubber, shower caps, waterproof textiles, rubberised articles and items of clothing and pillows with foam rubber filling.
- Textiles which contain padding or fillings which are damaged (e.g. pillows, jackets). The filling could fall out and cause a fire.

► The heat pump that is essential to the operation of this tumble dryer generates a lot of heat inside its casing. It must be possible to dissipate this heat well. Otherwise loads could take longer to dry or the tumble dryer might sustain damage in the long term.

The following mandatory requirements must be met:

- permanent room ventilation from the beginning to the end of every drying programme.
 - a gap between the floor and the bottom of the tumble dryer (this must not be blocked or obstructed in any way).
- The tumble dryer must not be hosed down.
- Do not let anyone sit or lean on the door, as this can cause the tumble dryer to tip up.

Warnings and safety instructions

▶ In many programmes, the heating phase is followed by a cooling down phase to ensure that the items are not too hot to handle when you remove them (this also avoids the danger of the laundry self-igniting). The programme is not finished until the cooling down phase has been completed.

As soon as the programme has finished, remove all laundry from the drum.

▶ Always close the door after use. This way you will avoid the danger of:

- children climbing onto or into the dryer or hiding things in it.
- pets or other small animals climbing into it.

▶ The tumble dryer must not be used

- without the fluff filters in place or with damaged fluff filters.
- without the plinth filter in place or with a damaged plinth filter.

This would cause an excessive build-up of fluff which in turn would cause a fault.

▶ Do not install the tumble dryer in a room where there is a risk of frost. At temperatures around freezing point, the tumble dryer may not be able to operate properly. There is a risk of damage if the condensed water is allowed to freeze in the pump and drain hose. The permitted room temperature is between 2 °C and 35 °C.

▶ If the water is drained externally through the drain hose instead of being collected in the condensed water container, make sure the drain hose is securely attached if you hang it in a laundry tub to avoid the hose slipping and the water causing damage.

▶ Condensed water is not drinking water.

It can cause health problems in both people and animals.

▶ Always keep the area around the tumble dryer free of dust and fluff.

Dust drawn into the tumble dryer can cause blockages in the heat exchanger over time.

Using a fragrance flacon (optional accessory)

▶ Only use genuine Miele original fragrance flacons.


▶ The fragrance flacon must be stored in its packaging so please make sure you retain this.

Warnings and safety instructions

- ▶ **Caution.** The fragrance can run out of the flacon. Make sure that you always keep the flacon, or the fluff filter with the flacon inserted in it, upright when carrying and do not tip it or place it down on any surface.
- ▶ Use an absorbent cloth immediately to wipe up any fragrance which has run out of the flacon onto the floor, the dryer or any dryer components (e.g. the fluff filter).
- ▶ If fragrance which has run out of a flacon should come in contact with the **skin** - wash the skin thoroughly with soap and water; come in contact with the **eyes** - rinse the eyes with clean water for at least 15 minutes; be swallowed - rinse out the **mouth** thoroughly with clean water. Seek medical advice in the case of contact with the eyes or if fragrance has been swallowed.
- ▶ If fragrance which has run out of a flacon comes in contact with clothing, change the clothing immediately. Wash the clothing or any cloths used for mopping up fragrance thoroughly with plenty of water and detergent.
- ▶ There is the risk of fire or damage to the tumble dryer if the following instructions are not observed:
 - Never refill a flacon with fragrance.
 - Never use a faulty fragrance flacon.
- ▶ Dispose of an empty fragrance flacon with the household waste and never use it for any other purpose.
- ▶ Please also observe the information supplied with the fragrance flacon.

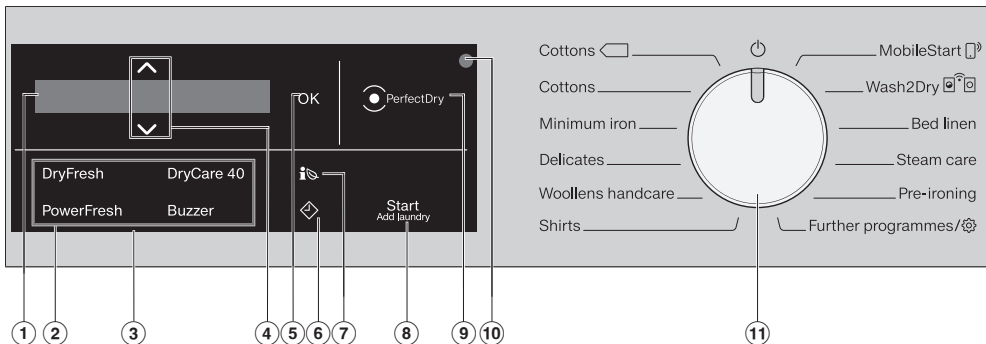
Accessories

- ▶ Only use genuine Miele spare parts and accessories with this appliance. If spare parts or accessories from other manufacturers are used, this will invalidate the warranty, and Miele cannot accept liability.
- ▶ A Miele tumble dryer can be stacked on top of a Miele washing machine using the appropriate stacking kit (available as an optional accessory). Please make sure you order the correct one for the Miele washing machine and Miele tumble dryer.

 Miele cannot be held liable for damage caused by non-compliance with these Warning and Safety instructions.

Operating the tumble dryer

Control panel



① Display

The following values are shown in the display and/or selected from it:

1. The programme names, the drying level and the duration of the selected programme.
2. The individual values of the selection lists for settings.

② Sensor controls for Extras

You can select Extras to augment the drying programmes.

When a drying programme is selected, the sensor controls for the possible Extras light up dimly.

③ Control panel

The control panel consists of a display and various sensor controls. The individual sensors are explained in the following.

④ Sensor controls $\wedge \vee$

Values shown in the display can be changed with the $\wedge \vee$ sensors. The \wedge sensor increases the value or moves the selection list up; the \vee sensor decreases the value or moves the selection list down.

⑤ OK sensor

Confirm selected values with the *OK* sensor.

⑥ \diamond sensor controls

The \diamond sensor starts the Delay start function. With Delay start you can delay the start of a programme. The start of the programme can be delayed from 15 minutes up to a maximum of 24 hours. This allows you to make use of night-time economy electricity rates, for example.

Further information can be found in "4. Selecting programme settings".

⑦ i sensor

You can use the i sensor to call up an energy consumption forecast for the selected drying programme. See "Energy saving tips - Feedback" for more information.

⑧ Start/Add laundry sensor

Touching the *Start/Add laundry* sensor starts a programme. The current programme can be interrupted to add laundry. The programme can be started when the sensor is flashing on and off. The sensor lights up constantly once the programme has started.

9 **PerfectDry indicator**

The *PerfectDry* indicator flashes after the programme has started and switches off when the programme running time is displayed. The *PerfectDry* system measures the residual moisture of the laundry. In programmes with selectable drying levels, *PerfectDry* dries the laundry precisely, although the result is also influenced by the calcium content of the water.


The *PerfectDry* indicator lights up towards the end of the programme once the selected drying level has been reached.



Nothing is indicated for programmes that do not have a selectable drying level.

10 **Optical interface**

For service technicians.

11 **Programme selector**

For selecting programmes and for switching the appliance off. The tumble dryer is switched on by selecting a programme and switched off by turning the programme selector to the  position.

MobileStart  and *Wash2Dry*  offer alternative methods of selecting programmes if the tumble dryer is connected to the Wi-Fi network.

Under *Further programmes*  you will find the following:

- More programmes.
- The option to change *Settings*.

Operating the tumble dryer

Display

The standard display shows the following for a drying programme:




- The selected drying level and the expected programme duration.
- After the programme has started, the drying level reached and the remaining programme duration.

The standard display shows only the programme duration for a time-controlled programme:



Examples on how to operate the appliance

Scrolling through a list

The  scroll bar in the display indicates that a list of choices is available.



Touching the ∇ sensor scrolls down the list to the next option and touching the \blacktriangle sensor scrolls up the list to the next option. The *OK* sensor is used to activate the option shown in the display.

Identifying the selected option



An activated option in a list will have a tick \checkmark next to it.

Setting numerical values



The numerical value is highlighted in white. Touching the ∇ sensor decreases the value. Touching the \blacktriangle sensor increases the value. The *OK* sensor is used to activate the value shown in the display.

Exiting a submenu

Select Back  to exit the submenu.

Installation

Before using the appliance for the first time, check that you have followed all the instructions under "Installation".

Read these operating instructions, paying particular attention to the information provided under "Installation".


Removing the protective foil and advertising stickers

■ Remove:

- the protective foil from the door (if present).
- any advertising stickers from the front and the lid.

Please do not remove any labels (e.g. the data plate) which are visible when you open the door.

Downtime after installation

 Damage to the tumble dryer by switching it on too soon.

This can damage the heat pump. After setting up the tumble dryer, wait for at least one hour before switching it on.

Information about networking

Miele@home

Your tumble dryer is equipped with an integrated Wi-Fi module.

In order to use it you need:

- a Wi-Fi network
- the Miele App
- a Miele user account. The user account can be created via the Miele App.

The Miele App will guide you as you connect your tumble dryer to your home Wi-Fi network.

Once your tumble dryer is connected to your Wi-Fi network, you can use the App, for example, to carry out the following activities:

- Operate the tumble dryer remotely
- Call up information on the operating status of your appliance
- Call up information on the programme sequence of your tumble dryer

Connecting your tumble dryer to your Wi-Fi network will increase energy consumption, even when the tumble dryer is switched off.

Before installing the tumble dryer in its final location, ensure the signal strength of your Wi-Fi network is sufficient.

Before using for the first time

Availability of the Wi-Fi connection

The Wi-Fi connection shares a frequency range with other appliances (including microwave ovens and remote control toys). This may result in sporadic or even complete connection failures. Therefore, a constant availability of featured functions cannot be guaranteed.

Miele@home availability

The ability to use the Miele App depends on the availability of the Miele@home service in your country.

The Miele@home service is not available in every country.

For information about availability, please visit www.miele.com.

Miele App

You can download the Miele App from the Apple App Store® or the Google Play Store™ free of charge (only functional in selected countries).



Wash2Dry

Once the wash programme has completely finished, the Miele washing machine transfers the programme data via the router to which the networked tumble dryer is also connected, as well as transferring it to the Miele Cloud. The tumble dryer automatically sets a drying programme tailored to the laundry based on the transferred programme data.

All you need to do is start the drying programme once you have loaded the tumble dryer. No further programme settings are required on the tumble dryer.

The drying programme must be started within 24 hours of the end of the wash programme. The data will be kept available for the tumble dryer during this period, but will be overwritten when a new wash programme ends.

Useful tip: Do not disconnect the tumble dryer from the network. The programme data transferred by the washing machine will be received by the tumble dryer as soon as you select *Wash2Dry*.

If you have disconnected the appliance from the network beforehand, this will cause a delay in receiving the data.

In order to use the *Wash2Dry* function, the Miele washing machine and tumble dryer must be networked using Miele@home services.



Useful tip: Set up Miele@home as described in these operating instructions.

Switching on the tumble dryer

- Turn the programme selector to the *Cottons* programme.

The welcome tone will sound and the welcome screen will light up.

Setting the language

You will be asked to select the language you require for the display. It is possible to change the language at any time by turning the programme selector to the *Further programmes*/ position and then selecting the *Settings*  submenu.



- Touch the ∇/Δ sensor until the language you want appears in the display.
- Confirm your selection of the language by touching the *OK* sensor.

Setting up Miele@home

The following message appears in the display:

 Miele@home

- Touch the *OK* sensor.



- To set up Miele@home now: Touch the *OK* sensor.
- To postpone setup until later: Touch the ∇ sensor until *Set up later* appears in the display and press *OK* to confirm.

The following selection options appear in the display:

1. Connect via WPS
2. Connect via App

- Select the required connection type.

Carrying out connection via WPS

- Follow the prompts in the display.

Carrying out connection via the Miele App

The following appears in the display:
Waiting for App

- Switch to the Miele App.
- Perform the further steps for signing on in the Miele App.

Before using for the first time

You will require a WPS-compatible router for the Connect via WPS connection type.

- Activate the WPS function on your router within 2 minutes.

If the connection is successful, the following will appear in the display:



- Confirm with the *OK* sensor.

Continuing set-up

- Confirm with the *OK* sensor.
- Refer to "1. Notes on correct laundry care" first.
- You can then load the tumble dryer and select a programme as described in "2. Loading the tumble dryer" and "3. Selecting a programme".

The initial commissioning process is completed when a programme lasting longer than one hour has been carried out in full.

Energy saving tips

This dryer with heat pump technology is designed for energy-saving drying cycles. You can save even more energy with the following measures, because the drying time is not extended unnecessarily.


- Make sure your laundry is spun at the maximum spin speed in the washing machine before drying.
The higher the spin speed, the greater the savings that can be made in energy and time during drying, e.g. approx. 20 % energy can be saved if spun at 1600 rpm instead of 1000 rpm.
- Always dry using the maximum specified load size for the programme whenever possible. A full drum helps to save energy because you don't have to start another drying programme. This will mean that the energy consumption for the amount of laundry is at its most economical.
- Make sure that the room temperature is not too high. If there are other heat producing appliances in the room in which the dryer is located, make sure the room is well ventilated and switch the other appliances off, if possible.
- Clean the fluff filters in the door opening after every drying cycle.

Please refer to "Cleaning and care" for information on cleaning the fluff filters and the plinth filter.

- If possible, make use of time-variable, low-cost electricity tariffs. Ask your energy supplier for information. Your tumble dryer's Delay start function will be useful as you can select when during the next 24 hours you want drying to start automatically.

Energy saving tips


Feedback

You can view information about the energy consumption of your tumble dryer with the  sensor.

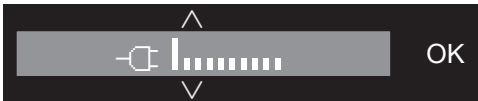
The following information will appear in the display:

- An estimate of the energy consumption before the programme starts.
- The actual energy consumption during the programme or at the end of the programme.

1. Estimate

- After selecting a drying programme, touch the  sensor.

The estimated energy consumption will be displayed as a bar chart.



The more bars (|) are visible, the higher the energy consumption.

The estimate will vary depending on the drying programme, the drying level and any Extras selected.

- Touch the *OK* sensor or wait until the display automatically returns to the standard display.

2. Viewing actual consumption


You can view the actual energy consumption during the programme or at the end of the programme.

- Touch the  sensor.



If the energy consumption is too low, < 0.1 kWh will be displayed. The consumption will change as the programme progresses.


It is also possible to view the level of soiling in the filters as a percentage at the end of the programme before opening the door.

- Touch the  sensor to switch to the Filter display.

0% = lightly soiled, 50% = moderately soiled, 100% = heavily soiled.

With increased soiling, the programme duration is extended, which increases energy consumption.

If the door is opened or the appliance has switched off automatically at the end of the programme, the data will revert to the estimated consumption.


Useful tip: You can view the consumption data for the last drying programme in Settings  under Consumption.

1. Notes on correct laundry care

Points to note regarding washed laundry


- When washing very heavily soiled items, ensure that you use sufficient detergent and select a high temperature. If in doubt, wash the items several times.
- Do not put soaking wet items into the tumble dryer. Make sure your laundry is thoroughly spun before drying. The higher the spin speed, the greater the savings that can be made in energy and time during drying.
- New dark coloured garments should be washed and dried separately from light coloured garments to avoid the risk of colours running and discolouring other garments or even plastic components in the dryer. Dark coloured fibres can also settle on light coloured garments and vice versa.
- Starched laundry can be dried in the tumble dryer. To achieve the usual finish, double the amount of starch should be used.

Preparing the laundry before drying

 Damage due to foreign objects which were not removed from the laundry.

Foreign objects can melt, burn, or explode.

Ensure that any foreign objects, e.g. detergent dispensing balls, lighters, etc. have been removed from the laundry.

 Risk of fire due to incorrect use and operation.

The laundry can burn and destroy the dryer and the surroundings.

See “Warning and Safety instructions” for further information.

- Sort the laundry according to the type of fibre and weave, size, garment care label symbol and the drying level required.
- Check seams and stitching to ensure that padding and linings are intact. This way you will avoid the danger of fillings coming out. These could catch fire when being dried.
- Untangle the laundry.
- Tie together textile belts and apron ties.
- Fasten duvet covers and pillow cases to prevent small items from being rolled up inside them.
- Fasten hooks and eyes.
- Leave jackets open and undo any long zips so that textiles dry evenly.
- Sew in or remove loosened underwiring from bras.
- Reduce the size of the load. Minimum iron fabric tends to crease more the larger the load. This is particularly the case for garments made from very fine weave fabric, such as shirts or blouses.




1. Notes on correct laundry care

Drying



Useful tip: See the “Programme chart”, which contains everything you need to know about programmes and load sizes.

- Always observe the maximum recommended load for each programme. This will mean that the energy consumption for the amount of laundry is the most economical.
- Down-filled garments have linings which have a tendency to shrink, depending on the quality of the item. Only use the *Pre-ironing* programme for these textiles.
- Pure linen should only be tumble dried if it is specified as suitable on the care label. The surface of the fabric may otherwise become rough. Only use the *Pre-ironing* programme for these textiles.
- Woollens and wool blends are susceptible to becoming matted or shrinking. Only use the *Woollens handcare* programme for these textiles.
- Loopknit garments (e.g. T-Shirts, underwear) have a tendency to shrink after the first wash. To prevent further shrinkage, avoid overdrying loopknit fabrics. If possible, choose a slightly bigger size when buying garments made from loopknit fabrics.
- If the fabrics are particularly heat-sensitive or susceptible to creasing, reduce the load size. Also select the *DryCare 40 Extra*.

Care symbols

Drying	
Temperature	
	Normal or higher
	Reduced*
	Do not tumble dry

* Recommendation: select *DryCare 40*

Ironing	
Temperature	
	••• hot, •• medium, • lower
	Do not iron

Selecting the correct drying level

- *HygieneDry* for special hygiene requirements when drying resilient fabrics.
- *Extra dry* for multi-layered and very thick fabrics.
- *Normal +* for all fabrics that are to be put away immediately.
- *Normal* for textiles that can shrink, or for light cotton or jersey textiles.
- *Hand iron* or *Machine iron* for fabrics that are going to be pressed or ironed after drying.

Useful tip: You can customise the drying levels (to be damper or drier) for the *Cottons*, *Minimum iron* and *Automatic* programmes. For further information, see “Settings – Drying levels”.

2. Loading the tumble dryer

Loading the laundry

Textiles may be damaged.
Before loading, read chapter “1. Notes on correct laundry care” first.



- Open the door.
- Remove any items that have been left inside the drum.
- Unfold the laundry and load loosely into the drum.

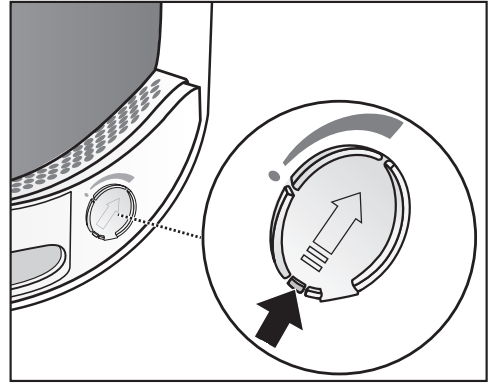
Do not overload the drum. Doing so will cause unnecessary wear and tear to the laundry and affect the drying result. It is also likely to cause more creasing.

Laundry items may be damaged if they get trapped by the door.

Checking the FragranceDos socket

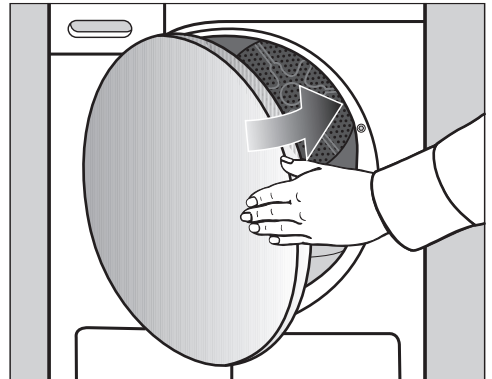
If you are not using a fragrance flacon, check that the 2 FragranceDos sockets are closed.

See the section “Fragrance flacon” for information on how to use fragrance flacons.



- Push the tab down completely (see arrow) so that the socket is closed. Otherwise, fluff will accumulate here.


Closing the door



- Shut the door with a gentle swing.

3. Selecting a programme

Switching on the tumble dryer

The dryer is switched on by selecting a programme, and switched off by turning the programme selector to the  position.

- Turn the programme selector to a programme.

When a programme is selected, the programme name and the maximum load (weight of dry laundry) possible for the programme will appear in the display for a few seconds.

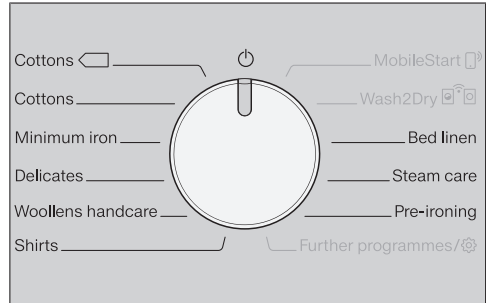
Useful tip: The condensed water can be recycled when certain programmes are used.

See “Condensed water container – Filling the condensed water container”. To find out when the condensed water can be used as part of certain programmes, see the “Programme chart” and “Extras”.

Selecting a programme

There are 4 possible ways to select a programme:

1. Selecting standard programmes



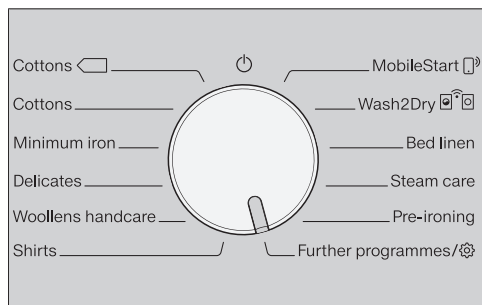
- Turn the programme selector to the required programme.

The selected programme will be shown in the display. This will then be replaced by the standard display.

- Now select the programme settings and Extras.

3. Selecting a programme

2. Selecting further programmes/⚙️



- Turn the programme selector to *Further programmes/⚙️*.

You can select the programme you want via the display.

- Touch the \wedge \vee sensors until the programme you want appears in the display.



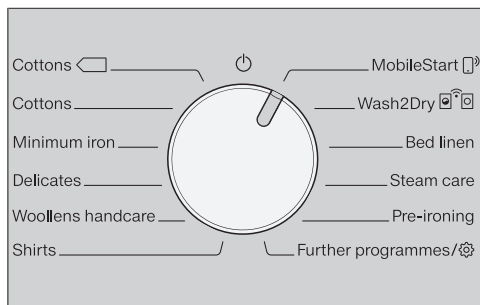
- Confirm the programme with the *OK* sensor.

The selected programme will be shown in the display. This will then be replaced by the standard display.

Useful tip: If you change your mind and want to select a different programme, briefly turn the programme selector one way and then the other to cancel the selected programme.

3. Selecting MobileStart (with square icon)

Useful tip: In this case, the appliance is operated via the Miele App. In order to use MobileStart (with square icon), the tumble dryer must be logged on to the Wi-Fi network and Remote control must be switched on.



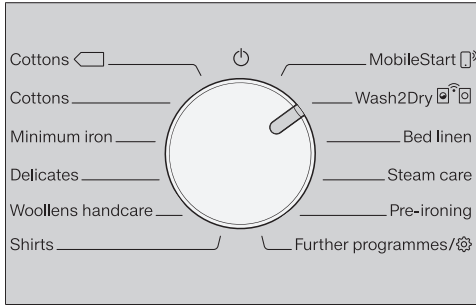
- Turn the programme selector to *MobileStart (with square icon)*.
- Follow the instructions in the display.
- After loading the drum, touch the *Start/Add laundry* sensor.

The tumble dryer can now be operated via a mobile device together with the Miele App.


3. Selecting a programme

4. Selecting Wash2Dry

- Once the wash programme has ended, place the clean laundry in the tumble dryer and close the door.



- Turn the programme selector to *Wash2Dry* .

 Please wait lights up in the display of the tumble dryer while the wash programme is running.

Once the washing machine programme has completely finished*, the drying programme tailored to the laundry will be displayed.

* The wash programme has been completed from start to finish.

- To start the programme, all you need to do is press the *Start/Add laundry* sensor on the tumble dryer.

A programme will not be selected on this tumble dryer after washing delicate textiles (e.g. curtains) in special wash programmes.

4. Selecting programme settings


Selecting the drying level

Check the “Programme chart” to see which programme you can select a drying level for and which drying level meets your requirements.



- Touch the \wedge or \vee sensor to select a drying level.

HygieneDry drying level

Useful tip: Select this drying level to meet specific hygiene requirements for robust garments with the  care symbol.

Items will be dried with a temperature that is constant over an extended period of time (extends the temperature holding time). This kills off micro-organisms (such as germs or dust mites) and reduces allergens in the laundry.

Useful tip: Reduce the load size for the corresponding programme to half the maximum load size specified in these operating instructions.

HygieneDry temperature holding time

- An estimated programme running time is displayed at the start of a programme.
- The programme completes the normal drying process for laundry care first. The drying time counts down to 0 minutes. Then the temperature holding time starts.
- At the start of the temperature holding time, the remaining programme running time is extended by 85 minutes to produce a hygienic drying result.

A programme for which the *HygieneDry* drying level has been selected should not be interrupted, as this would prevent the micro-organisms from being killed off. Do not cancel the drying programme.

Selecting the running time for timed programmes

The programme running time can be selected in 10-minute increments.

Programmes:

Cool air: 20 min – 1:00 h

Warm air: 20 min – 2:00 h

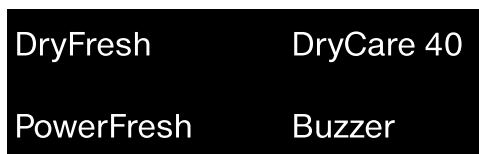
Basket programme: 40 min – 2:30 h



- To select the running time, touch the \wedge or \vee sensor.

Selecting Extras

See “Extras” to find out which programmes allow you to select an Extra and which Extra is appropriate for your needs.



- Touch the sensor for the Extra you want.

The relevant sensor will light up brightly.

4. Selecting programme settings

◆ Delay start/SmartStart

Delay start

With Delay start you can delay the start of a programme.
This function is active when the SmartGrid is switched off.

The hours can be set from 00 to 24. The minutes can be set in 15 minute increments from 00 to 45.

Setting the Delay start time

- Touch the ◆ sensor.

The following will appear in the display:



- Set the hours with the v^ sensors. Confirm with the OK sensor.

The display will change:



- Set the minutes with the v^ sensors. Confirm with the OK sensor.

Useful tip: The values will count upwards and downwards automatically if you keep your finger on the v or ^ sensor control.

Altering Delay start

The selected Delay start time can be changed before the programme starts.

- Touch the ◆ sensor.
- Change the specified time and confirm with the OK sensor.

Cancelling Delay start

The selected Delay start time can be cancelled before the programme starts.

- Touch the ◆ sensor.

The selected Delay start time will appear in the display.

- Set a time value of 00:00 h with the v^ sensors. Confirm with the OK sensor.

The selected Delay start time has been cancelled.

After the programme has started, the selected Delay start time can only be changed or cancelled by interrupting the programme.

Starting Delay start

- Touch the *Start/Add laundry* sensor to start the Delay start function.

Adding laundry during the Delay start period

- Follow the description in “Changing the programme sequence – Adding or removing laundry”.

4. Selecting programme settings


SmartStart

The SmartStart function (only functional in selected countries) lets you define a time period during which your tumble dryer will start automatically. The machine will start on receipt of a signal, e.g. from your energy supplier, that indicates that the electricity rate is particularly economical.

This function is active when the SmartGrid setting is switched on.

The timeframe can be defined between 15 minutes and 24 hours. During this period, the tumble dryer waits for the signal from the energy supplier. If no signal is sent during the defined period, the tumble dryer starts the drying programme.

Setting the timeframe

If you have activated the SmartGrid function in Settings, touch the  sensor to set the timeframe in which your tumble dryer should be started automatically (see “Settings – SmartGrid”).

The procedure for setting this is the same as for setting the time for Delay start.

- Use the \vee/\wedge sensors to enter the hours and confirm your entry with the *OK* sensor.

The hours will be saved and the minute number block will be highlighted.

- Use the \vee/\wedge sensors to enter the minutes and confirm your entry with the *OK* sensor.
- Press the *Start/Add laundry* sensor to start the drying programme with SmartStart.

The following will appear in the display:



5. Starting the programme

Starting a programme

- Touch the flashing *Start/Add laundry* sensor.

The *Start/Add laundry* sensor lights up and *Drying* appears in the display.

Notes

If a Delay start time has been selected, it will count down in the time display. At the end of the Delay start time or immediately after the programme has started (if no Delay start time has been selected), the programme duration will appear in the time display.

With a longer Delay start time, the drum will rotate occasionally to untangle the laundry. This is not a fault.

- The *PerfectDry* indicator will only flash/light up for programmes with selectable drying levels (see also “Operating the tumble dryer”).
- The tumble dryer measures the residual moisture of the laundry and calculates the required programme running time accordingly. If you place very few items in the tumble dryer or load it with dry laundry, this will be sensed by the empty drum detection feature. The automatic load recognition function will restrict the running time of the selected programme once it has started. The fabrics will be gently dried or aired. In this case, the *PerfectDry* indicator does not light up at the end of the programme.

Laundry items and fabrics can wear out unnecessarily.
Avoid over-drying laundry and garments.

The drying level reached for the selected drying programme will light up in the display.

You can view the selected drying level or time again:

- Touch the \wedge or \vee sensor.
 - Before the programme finishes, the laundry is cooled.

Energy saving

After 10 minutes, the indicators dim. The *Start/Add laundry* sensor control flashes slowly.

- Touch the *Start/Add laundry* sensor control to switch the indicators on again (this does not have any effect on a running programme).

The drum lighting switches off once the programme has started.

Adding laundry

You can add laundry after the programme has started.

- Follow the instructions in the sections “Changing the programme sequence” and “Adding or removing laundry”.

6. End of programme - unloading the drum

At the end of the programme

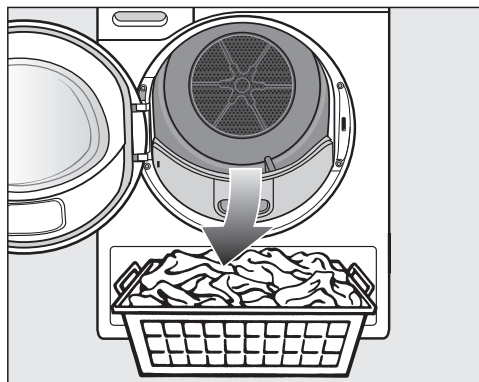
The programme is finished when *Finish/Anti-crease*, *Finish/Cooling down* or *Finished* appears in the display. The *Start/Add laundry* sensor light goes out.

The dryer will switch off automatically 15 minutes after the end of the *Anti-crease* phase (or 15 minutes after the programme with programmes without an *Anti-crease* phase).

Removing the laundry

Only open the door when the drying process has finished. Otherwise, the laundry will not be properly dried and cooled down.


- Pull the door open at the side with the orange marker.




- Remove the laundry.

Always remove all items from the drum.

Items left in the dryer could be damaged by overdrying when the dryer is used the next time.

- Turn the programme selector to the  position.

- Remove the fluff from the 2 fluff filters in the door opening (see “Cleaning and care – Fluff filters”).
- Shut the door with a gentle swing.
- Empty the condensed water container.

We recommend that you drain the condensed water externally through the drain hose when drying a full load using the *Cottons* and *Cottons*  programmes. This will avoid having to empty the condensed water container during the programme.

Drum lighting

When you open the door of the tumble dryer, the drum is illuminated along with the area immediately in front of the dryer. This prevents you from accidentally leaving behind any items in the drum or in your laundry basket. The drum lighting will go out automatically to save energy.



Programme chart

All weights marked with * are based on the weight of dry laundry.


Programmes on the control panel

Cottons ◀		Max. load 9.0 kg*
Items	Cotton items such as those described under <i>Cottons Normal</i> with normal residual moisture.	
Notes	Items are dried to a <i>Normal</i> level only.	
Cottons		Max. load 9.0 kg*
HygieneDry		
Items	<ul style="list-style-type: none"> - Cottons and linen fabric which will be in direct contact with the skin, e.g. underwear, baby clothes, bed linen, towelling. - Other hard-wearing fabrics with special hygiene requirements. 	
Tip	<ul style="list-style-type: none"> - Use for special hygiene requirements. - Reduce to half the maximum load amount. 	
Extra dry, Normal +, Normal		
Items	Single and multi-layered cotton fabrics. For example: towelling, jerseywear, T-shirts, underwear, baby clothes, workwear, covers, aprons, jackets, bathrobes, and flannelette bed linen.	
Tip	<ul style="list-style-type: none"> - Select <i>Extra dry</i> for multi-layered and very thick fabrics. - Do not use <i>Extra dry</i> for jersey fabrics (e.g. T-shirts, underwear, baby clothes), as they have a tendency to shrink. 	
Set programme <i>Cottons Extra dry</i> for testing in accordance with AS/NZS 2442.1 & AS/NZS 2442.2.		
Hand iron Δ, Hand iron ΔΔ, Machine iron		
Items	Cotton or linen fabric requiring further processing. For example: table linen, bed linen, or starched laundry.	
Tip	Roll up laundry that you want to machine iron to prevent it from drying out until you are ready for ironing.	

Programme chart

Minimum iron		Max. load 4 kg*
HygieneDry, Normal +, Normal, Hand iron Δ, Hand iron $\Delta\Delta$		
Items	Minimum iron items made of cotton, synthetic, or mixed fibre. For example: workwear, overalls, pullovers, dresses, trousers, table linen and leggings.	
Tip	<ul style="list-style-type: none"> - Use <i>HygieneDry</i> for hard-wearing fabrics with special hygiene requirements. - Reduce to half the maximum load amount. 	
Delicates		Max. load 2.5 kg*
Normal, Hand iron Δ, Hand iron $\Delta\Delta$		
Items	Delicate items with the  symbol on the care label made of synthetic fibre, mixed fibre, rayon, and easy care cotton. For example: shirts, blouses, lingerie, and appliquéd garments.	
Tip	The load should be reduced further for a particularly crease-free drying result.	
Woollens handcare		Max. load 2.0 kg*
Items	Woollen garments and fabric containing wool blends, e.g. pullovers, cardigans, stockings.	
Notes	<ul style="list-style-type: none"> - Wool and wool blend items are only fluffed up; they are not dried completely. - Remove garments as soon as the programme has finished. 	
Shirts		Max. load 2 kg*
Normal +, Normal, Hand iron Δ, Hand iron $\Delta\Delta$		
Items	Shirts and blouses.	
MobileStart 		
The Miele App is used for selecting programmes and operating the machine.		
Wash2Dry		
The programme is selected automatically in conjunction with the programme selection on the connected washing machine.		

Programme chart

Bed linen		Max. load 4 kg*
HygieneDry, Extra dry, Normal +, Normal, Hand iron δ, Hand iron $\delta\delta$, Machine iron		
Items	Bed linen, pillowcases.	
Tip	<ul style="list-style-type: none"> - Use <i>HygieneDry</i> for hard-wearing fabrics with special hygiene requirements. - Reduce to half the maximum load amount. 	
Steam care		Max. load 1 kg*
Normal, Hand iron δ		
Items	<ul style="list-style-type: none"> - Cotton and linen fabric. - Minimum iron items made of cotton, synthetic or mixed fibre. For example: cotton trousers, jackets, anoraks, and shirts. 	
Tip	<ul style="list-style-type: none"> - For dampening items before ironing. - For smoothing items that are creased. - Select <i>Hand iron</i> if the items are to be ironed after drying. - This programme is also used to freshen up fabrics. To enhance the effect, you can use the DryFresh fragrance flacon (optional accessory). 	
Notes	<div style="display: flex; align-items: flex-start;">  <div style="margin-left: 10px;"> <ul style="list-style-type: none"> - At the beginning of the programme, the condensed water collected in the condensed water container is sprayed into the drum via a spray jet. The condensed water container must therefore be filled with water to at least the —min— mark. - You may hear a humming noise when the water is sprayed into the drum. </div> </div>	

Programme chart

Pre-ironing		Max. load 1 kg*
Normal, Hand iron ∞∞		
Items	<ul style="list-style-type: none"> - Cotton and linen fabrics. - Minimum iron items made of cotton, synthetic or mixed fibre. For example: cotton trousers, jackets, anoraks, and shirts. 	
Tip	<ul style="list-style-type: none"> - This programme smoothes out creasing caused during the spin cycle in the washing machine. - This programme is also suitable for dry fabrics. - Remove garments as soon as the programme has finished. 	

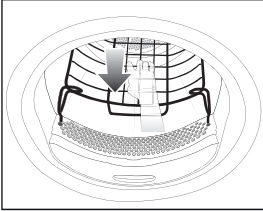
Further programmes

Warm air		Max. load 9.0 kg*
Items	<ul style="list-style-type: none"> - Multi-layered fabrics whose layers have different drying characteristics, e.g. jackets, pillows, sleeping bags and other bulky items. - For drying individual items, e.g. bath towels, bathing suits, tea towels and small loads. 	
Tip	Do not select the longest drying time to start with. Check the items as you are drying them to find the optimal time.	
Outerwear		Max. load 2.5 kg*
Normal, Hand iron ∆		
Items	Outerwear which is suitable for drying in a tumble dryer.	
Proofing		Max. load 2.5 kg*
Items	Fabrics suitable for tumble drying, e.g. microfibre fabrics, skiwear, outerwear, fine, close-weave cotton garments (poplin), and tablecloths.	
Notes	<ul style="list-style-type: none"> - This programme only dries to the <i>Normal</i> level. - This programme includes a proofing fixing phase. - Only use proofing agents which are stated by the manufacturer as being "suitable for use on membrane textiles". These agents contain fluorochemical compounds. - Do not dry items which have been treated with proofing agents containing paraffin. Fire hazard! 	

Programme chart

Express		Max. load 4 kg*
Extra dry, Normal +, Normal, Hand iron Δ, Hand iron $\Delta\Delta$, Machine iron		
Items	Fabrics with the ☺ symbol that are suitable for the <i>Cottons</i> programme.	
Notes	The programme duration is shorter.	
Sportswear		Max. load 3 kg*
Normal +, Normal, Hand iron Δ, Hand iron $\Delta\Delta$		
Items	Sportswear which is suitable for drying in a tumble dryer.	
Automatic plus		Max. load 5 kg*
Normal +, Normal, Hand iron Δ, Hand iron $\Delta\Delta$		
Items	Mixed loads of garments suitable for the <i>Cottons</i> and <i>Minimum iron</i> programmes.	
Pillows		1-2 pillows 40 x 80 cm or 1 pillow 80 x 80 cm
HygieneDry, Normal		
Items	Pillows suitable for drying in a tumble dryer, with feather, down or synthetic fillings.	
Tip	Use <i>HygieneDry</i> for special hygiene requirements.	
Notes	<ul style="list-style-type: none"> - Feathers are a natural product and may develop odours when exposed to heat. Allow bedding to air outside the dryer after drying. - Pillows can still feel damp after being dried. You can use this programme several times until the pillow feels dry. 	

Programme chart

Basket programme		Max. load for basket 3.5 kg
Notes	<ul style="list-style-type: none"> - This programme may only be used with the Miele tumble dryer basket TRK 555 (optional accessory) fitted. - It is essential to observe the operating instructions for the drying basket. - Make sure that no sleeves, straps, belt straps and boot legs (for example) come into contact with the tumble dryer drum or drum ribs. When the drum rotates, the laundry can become knotted, causing damage to the dryer basket and tumble dryer. 	
		
Fabric type/ Items	Use this programme to dry or air items which are suitable for drying in a tumble dryer but which are not suitable for drying using mechanical action.	
Silks handcare		Max. load 1.0 kg*
Items	Silk garments which are suitable for drying in a tumble dryer, e.g. blouses and shirts.	
Notes	<ul style="list-style-type: none"> - This programme reduces creasing. Items are not dried completely. - Remove garments as soon as the programme has finished. 	
Denim		Max. load 3 kg*
Normal +, Normal, Hand iron Δ, Hand iron ΔΔ		
Items	Denim garments, e.g. jackets, jeans, shirts, and skirts.	
Cool air		Max. load 9.0 kg*
Items	Any item which only needs airing.	

Extras

The drying programmes can be augmented with various Extras. The table lists the selection options.

Certain combinations of Extras are not possible.

DryFresh	DryCare 40
PowerFresh	Buzzer

DryFresh

The *Normal* drying level can be used to freshen up clothing that is clean and dry without wetting it.

The function is slightly less effective when used with fabrics made of synthetic fibres.

Useful tip: To enhance the effect, you can also use the *DryFresh* fragrance flacon (optional accessory). Reduce the size of the load.

DryFresh is not available for all drying levels.

DryCare 40

This option dries fabrics gently by using a particularly low temperature.

It can be used for all fabrics that are free of wool and are washable at temperatures of 40°C and above.

In order to achieve an optimal drying result, please note:

For the respective programme, reduce the maximum load size specified in these operating instructions by half.

Exceptions: you must reduce programmes with a maximum load size of 9 kg to 4 kg.

DryCare 40 is not available for all drying levels.

PowerFresh

This option can be used to freshen up clothing that is clean and dry by using steam.

The fabrics are moistened automatically. As the item is dried, the heat from the generated water vapour is transferred directly to the item so that odour molecules in the fabric can be freed more easily.

The function is slightly less effective when used with fabrics made of synthetic fibres.

Reduce the size of the load to 1 kg.

PowerFresh is not available for all drying levels.

Useful tip: To enhance the effect even further, you can also use the *DryFresh* fragrance flacon (optional accessory).

Condensed water from the condensed water container is sprayed into the drum. The condensed water container must therefore be filled to at least the —min— mark.



■ Fill the condensed water container.


See “Condensed water container – Filling the condensed water container”.

Buzzer

A buzzer sounds to let you know the programme has finished. The buzzer will always sound when there is a fault, even if it has been switched off.

Extras

Drying programme overview - Extras

	DryFresh	DryCare 40	PowerFresh	Buzzer
Cottons 	–	–	–	X
Cottons	X	X	X	X
Minimum iron	X	X	X	X
Delicates	–	✓	–	X
Woollens handcare	–	–	–	X
Shirts	X	X	X	X
Bed linen	–	–	–	X
Steam care	–	–	–	X
Pre-ironing	–	✓	–	X
Warm air	–	X	–	X
Outerwear	–	✓	–	X
Proofing	–	–	–	X
Express	–	–	–	X
Sportswear	–	X	–	X
Automatic plus	X	X	X	X
Standard pillows	–	–	–	X
Basket programme	–	–	–	X
Silks handcare	–	✓	–	X
Denim	X	X	X	X
Cool air	–	–	–	X

- X = can be selected
- = cannot be selected
- ✓ = activated automatically

The Extras cannot be combined with one another. The buzzer can always be selected.


Changing the programme sequence

Changing a programme after it has started

It is no longer possible to change the selected programme. This prevents the appliance being operated unintentionally, e.g. by children.

If you adjust the programme selector, **i** Cannot be changed will light up in the display. This indicator goes out when you select the original programme.

Cancelling the current programme

- Turn the programme selector to the  position.

The programme is cancelled.

You can now select a new programme.


Adding or removing laundry

You have forgotten an item of laundry, but the programme has already started.

- Touch the *Start/Add laundry* sensor.

The following appears in the display:

i Door can be opened. The *Start/Add laundry* sensor flashes slowly.

 Risk of burning when touching hot laundry in the drum.
You could burn yourself.

- Open the door.
- Add or remove laundry.

You can also change the programme selection.

- Close the door.
- Touch the *Start/Add laundry* sensor.

The programme will continue.

Exceptions to adding laundry


In some cases, e.g. during the cooling phase or in the *Proofing* programme, you cannot add laundry.

In exceptional cases, the door can be opened while the programme is running.


Condensed water container

Emptying the condensed water container

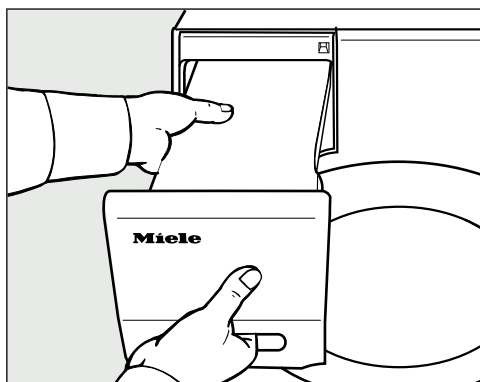
The condensed water is collected in the condensed water container. Empty the condensed water container after every drying programme.

When the maximum level in the condensed water container is reached, the following message will light up in the display: Empty container. See 

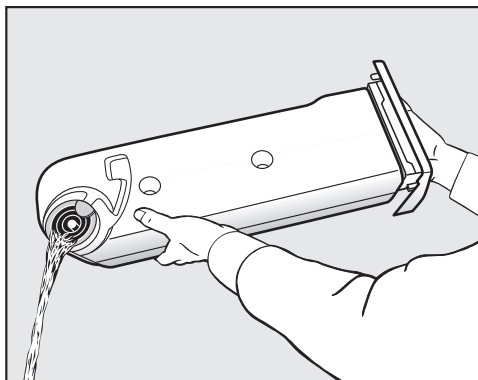
- To clear the message, open and close the door with the tumble dryer switched on.

 Damage to the door and the fascia panel when removing the condensed water container*. The door and the fascia panel can get damaged. Always close the door completely.

*This does not apply to right-hand hinged models.



- Pull out the condensed water container.
- To prevent water running out, keep it in a horizontal position when carrying it. Hold the condensed water container by the front panel and at the back.



- Empty the container.
- Replace the container in the dryer.

Condensed water can cause health problems in people and animals. Do not drink condensed water.

Useful tip: When certain programmes are being used, water is taken from the condensed water container and recycled. For this, the condensed water container must be filled to a certain level (see “Filling the condensed water container”).

Condensed water container

Filling the condensed water container

When certain programmes are being used, condensed water generated during drying is recycled and sprayed into the drum via a spray nozzle.

The condensed water container must therefore be filled to at least the —min— mark. Otherwise, this could cause a fault.

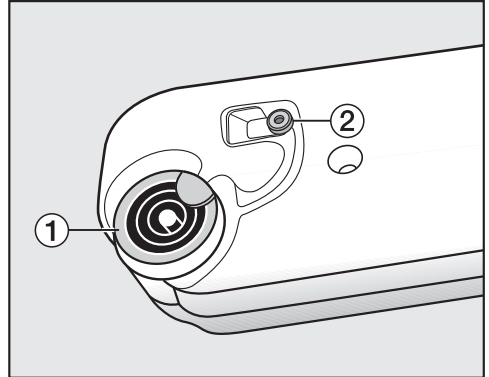
The —min— mark is on the front left-hand side of the container. If you have set the appliance up so that condensed water is drained away, the condensed water container will be empty.



- Check the fill level of the condensed water container.
- Only fill it with commercially available condensed water (for ironing).

You should only use mains water in exceptional circumstances.

If mains water is used frequently, limescale can build up on the spray jet in the door opening.



1 spout, 2 rubber seal

- Pour the condensed water through the rings on the spout 1.

The spray jet in the door opening may clog.

Only fill with clean water. Do not add fragrances, detergents or other substances.

Cleaning the rubber seal

If mains water is used frequently, limescale deposits can build up on the rubber seal 2.

- Use a damp cleaning cloth to carefully remove any limescale deposits from the rubber seal 2.

Fragrance flacon

FragranceDos

Fragrance flacons (optional accessories) can be used to give your laundry a pleasant scent.

This dryer has 2 places for inserting fragrance flacons. This gives you a choice of how to use them.

- You can use both positions if you wish to change from one scent to another. You can close the fragrance flacon that you are not using.
- Use both positions if you want a more intense scent of the same fragrance, or if you wish to conveniently switch between a scent for normal laundry and DryFresh to freshen up your laundry.
- Use one socket only if you only want to use the one fragrance.

⚠ Risk of fire and harm to health if fragrance flacons are used incorrectly.

Leaked fragrance can be harmful to your health if it comes into contact with your body. Leaked fragrance can cause a fire.

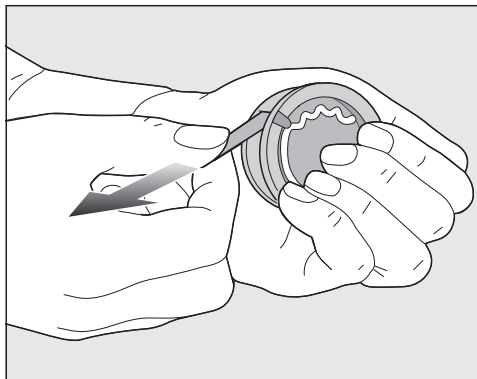
Before using a fragrance flacon, please read "Warning and Safety instructions - Using a fragrance flacon (optional accessory)".

Removing the protective seal from the fragrance flacon

Only hold the fragrance flacon as illustrated. Do not hold it at an angle or tip it as the fragrance will leak out.

- Take the fragrance flacon out of its packaging.

Do not attempt to open the fragrance flacon.

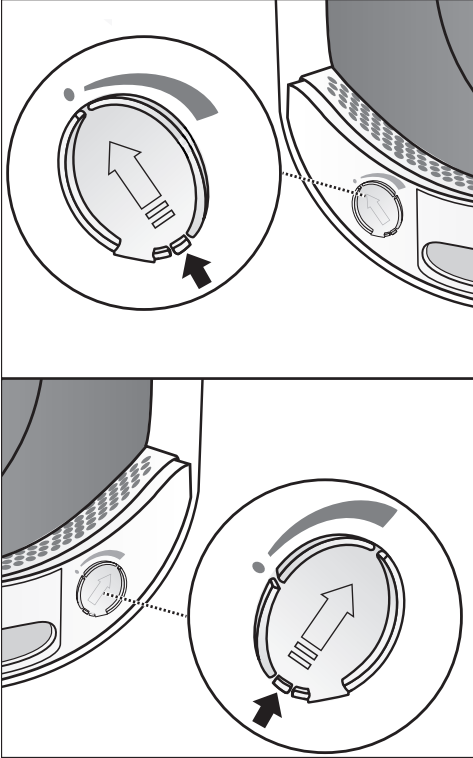


- Hold the fragrance flacon securely so that you do not open it by mistake.
- Pull off the protective seal.

Inserting the fragrance flacon

- Open the door of the tumble dryer.

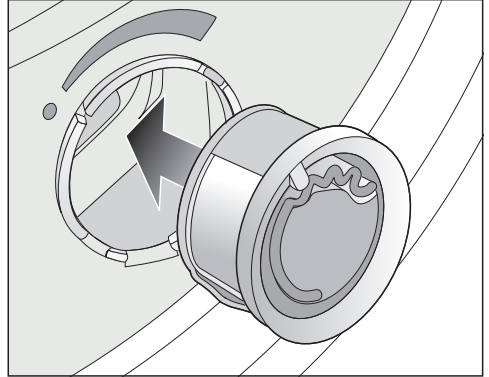
The fragrance flacon is inserted in the upper fluff filter. It can be inserted on the left or the right-hand side beside the grip.



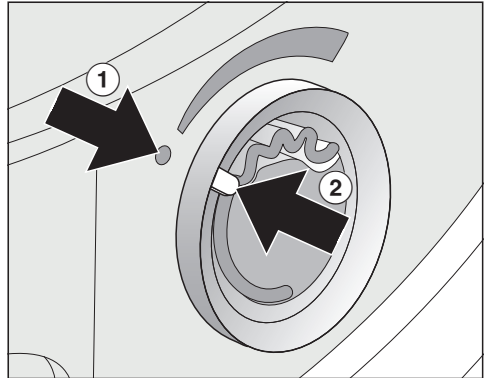
- Open the cover using the tab until the tab is right at the top as shown.

To prevent the accumulation of fluff, the cover of the unused socket must remain closed.

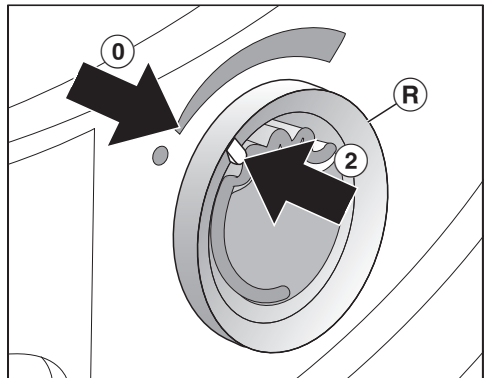
Push the tab of the cover to the bottom (see dark arrow), until you hear it click into position.



- Insert the fragrance flacon in the opening as far as it will go.



Markers ① and ② must line up with each other.



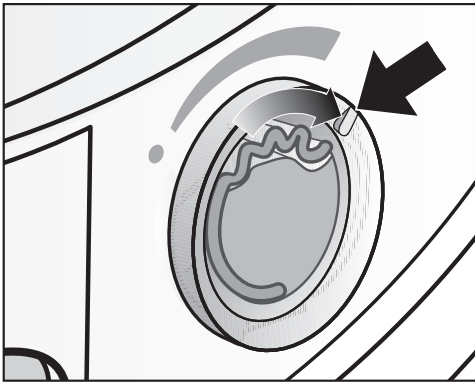
Fragrance flacon

- Turn the outer ring **Ⓡ** clockwise a little.

The fragrance flacon can slip out. Turn the outer ring so that markers **②** and **⓪** line up.

Opening the fragrance flacon

Before drying, you can select the intensity of the fragrance.

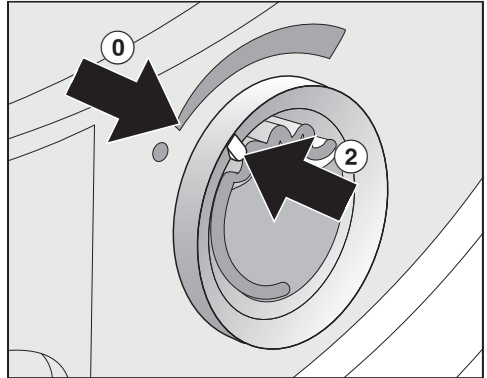


- Turn the outer ring clockwise: the further you open the fragrance flacon, the more intense the fragrance.

Damp laundry and longer drying durations with sufficient heat transfer are needed for the fragrance to be released into the laundry effectively. The fragrance will also be noticeable in the room air during the process. The *Cool Air* programme will not generally apply fragrance.

Closing the fragrance flacon

After drying, the fragrance flacon should be closed to prevent the fragrance from escaping needlessly.

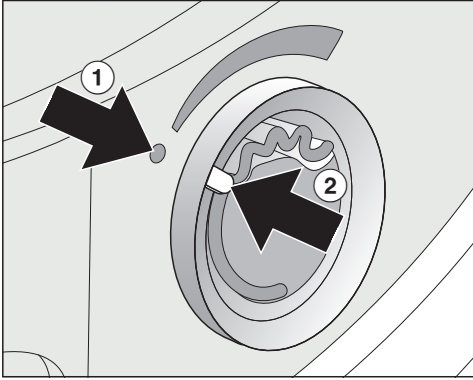


- Turn the outer ring anti-clockwise until marker **②** is in position **⓪**.

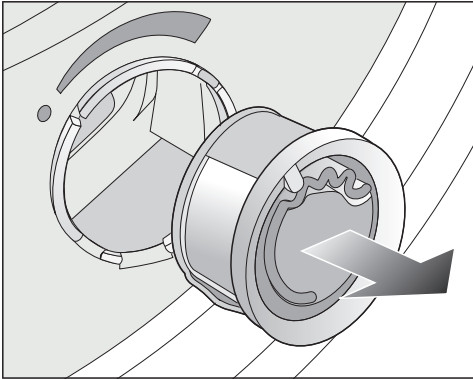
If you wish to dry laundry without adding fragrance: remove the fragrance flacon and store it in its original packaging.

When the intensity of the fragrance is no longer sufficient, replace the fragrance flacon with a new one.

Removing/replacing the fragrance flacon



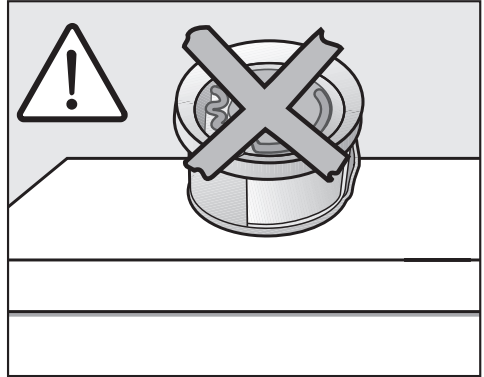
- Turn the outer ring anti-clockwise until markers ① and ② line up.



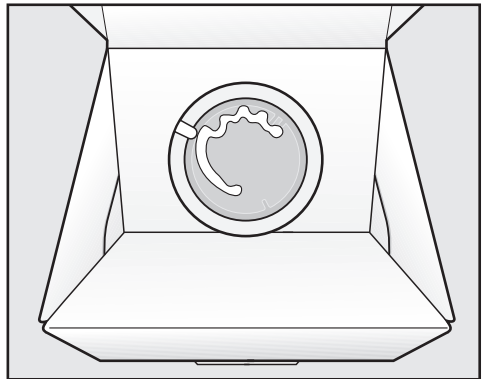
- Replace the fragrance flacon with a new one.

When not in use, you can store the fragrance flacon in its original packaging.

Fragrance flacons are available to order from Miele or online at www.miele-shop.com.



Fragrance can leak.
Do not lay the fragrance flacon down.



- If you are keeping the fragrance flacon in its original packaging, do not store the packaging upright on its edge or upside down. Otherwise, the fragrance will leak out.
- Always store in a cool, dry place away from direct sunlight.
- When purchasing new fragrance flacons, only remove the protective seal just before use.

Cleaning and care

Fluff filters

This tumble dryer has 2 fluff filters in the loading area of the door. Both fluff filters trap fluff produced during the drying process.

Clean the fluff filters after each drying programme. This prevents an extension of the programme duration. Also clean the fluff filters when this message lights up in the display: Clean the plinth filter. See 

- To clear the message, confirm with OK.

Removing the fragrance flacon

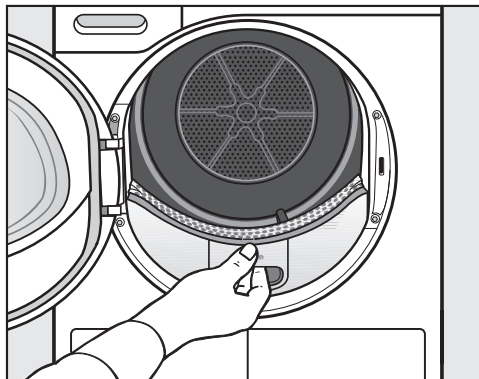
The intensity of the fragrance will be diminished if the fluff filters and the plinth filter are not cleaned.

- Remove the fragrance flacon. See “Fragrance flacon - Removing/replacing the fragrance flacon”.

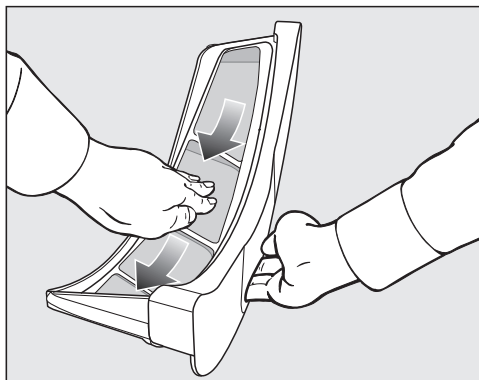
Removing visible fluff

Useful tip: You can use a vacuum cleaner so that you can remove the fluff without touching it.

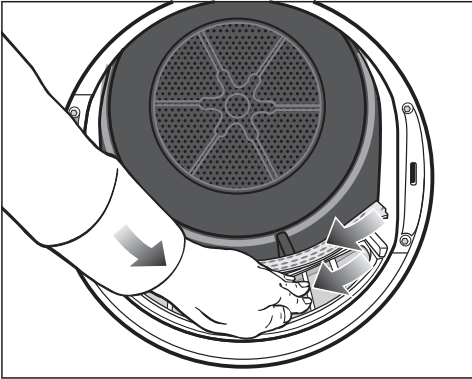
- Open the door.



- Pull the upper fluff filter forwards to remove it.



- Remove the fluff (see arrows).

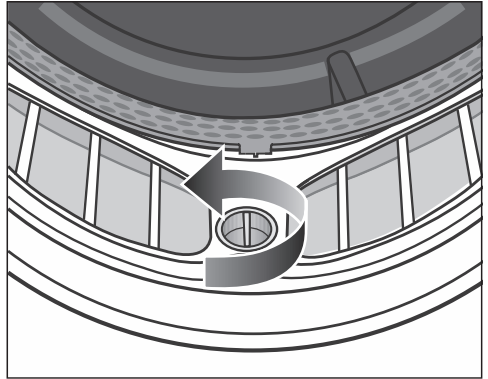


- Remove the fluff (see arrows) from the filter surface of all the fluff filters and the perforated laundry deflector.
- Push the upper fluff filter back in until it clicks into position.
- Close the door.

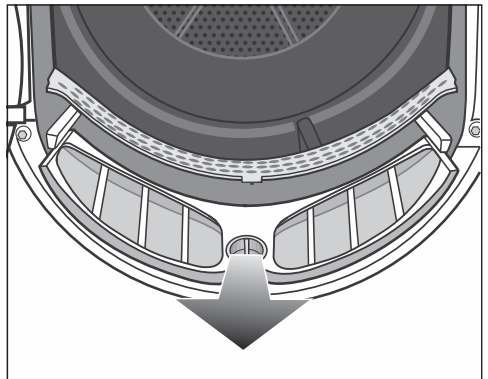
Cleaning the fluff filters and air flow openings thoroughly

If the drying time has become longer or the surface of the fluff filters is visibly compacted with fluff, you should carry out the following cleaning procedure.

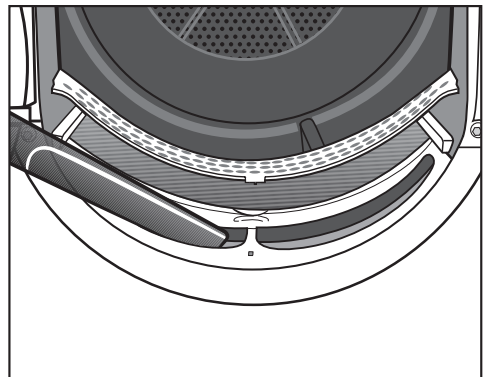
- Remove the fragrance flacon. See “Fragrance flacon”.
- Pull the upper fluff filter forwards to remove it.



- Turn the yellow dial on the lower fluff filter in the direction of the arrow (until you hear it click).



- Hold the dial and pull the fluff filter forwards to remove it.



Cleaning and care

- Use a vacuum cleaner with a long crevice nozzle attached to remove any visible fluff from the upper air flow openings.

Clean all fluff filters with water.


Cleaning the fluff filters with water

- Wipe the smooth plastic surfaces of the fluff filters with a damp cloth to clean them.
- Rinse the filters with warm running water.
- Shake the fluff filters thoroughly and then dry them carefully.

Ensure the filters are dry before replacing them. Wet filters could cause operational faults.

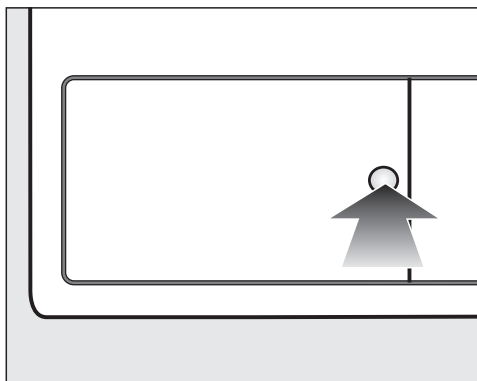
- Push the lower fluff filter in completely and lock it with the yellow dial.
- Push the upper fluff filter in completely.
- Close the door.

Cleaning the plinth filter

Clean the plinth filter when the programme duration has been extended or when this message appears in the display: Clean the plinth filter. See 

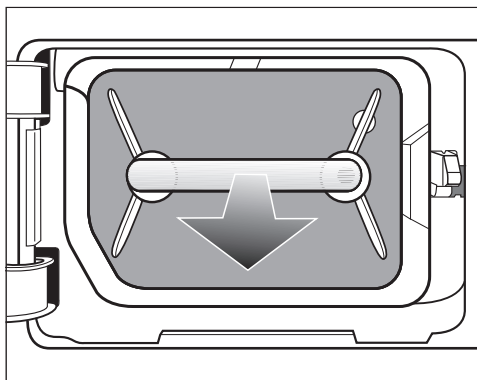
- To clear the message, confirm with OK.

Removing the plinth filter



- Press the round, indented area on the heat exchanger access panel to open it.

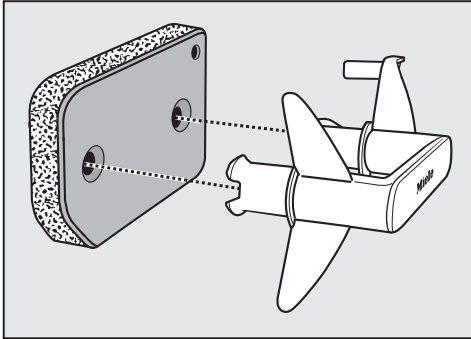
The access panel will spring open.



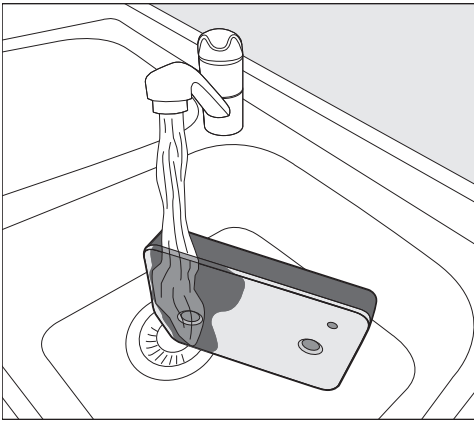
- Pull the plinth filter out by the handle.

When the plinth filter is pulled out, the right guide pin will slide out. The guide pin prevents the flap from being closed without the plinth filter in place.

Cleaning the plinth filter



- Pull the handle out of the plinth filter.
- Clean the plinth filter gently and thoroughly under running water.



Useful tip: In order to loosen any residues from the surface of the plinth filter, hold it upright and run the front of it under water.

- Squeeze the plinth filter carefully several times as you rinse it.
- Rinse and wash the entire plinth filter until all visible residues have been removed.
- Gently squeeze out the plinth filter until no more water comes out.

Useful tip: To absorb water, place the damp plinth filter between two towels. On a flat surface, repeatedly press down gently on the plinth filter with a flat hand. This will help the plinth filter to dry faster.

The plinth filter must not be fitted dripping wet.

Otherwise, this could cause a fault. Carefully squeeze the water out of the plinth filter.

If a drying programme is interrupted with a fault message after the clean plinth filter has been fitted, the plinth filter was too wet when it was fitted. Gently squeeze the water out of the plinth filter again. Leave the plinth filter to air-dry.

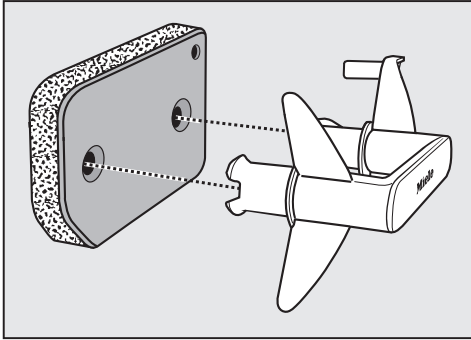
If a fault occurs again despite this, it may be caused by stubborn residue from washing substances. Reactivate the plinth filter in the washing machine. See "Problem solving guide – Reactivating the plinth filter".

⚠ Blockages caused by a damaged or worn filter.

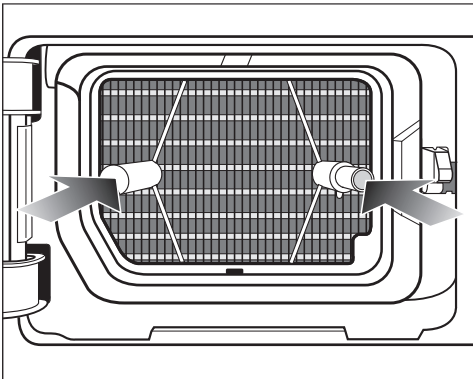
The heat exchanger becomes blocked and damage may occur.

Check the plinth filter in accordance with the descriptions in "Problem solving guide - Replacing the plinth filter". If necessary, replace the plinth filter with a new one.

Cleaning and care

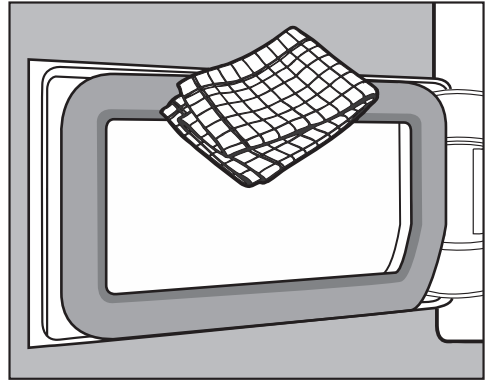


- Use a damp cloth to remove any fluff from the handle.
- Fit the plinth filter back on the handle the right way round.



- Push the plinth filter in completely. Insert the right guide pin at the same time.

Cleaning the plinth filter flap



- Use a damp cloth to remove any fluff. Make sure that you do not damage the rubber seal when doing this.
- Close the heat exchanger access panel.

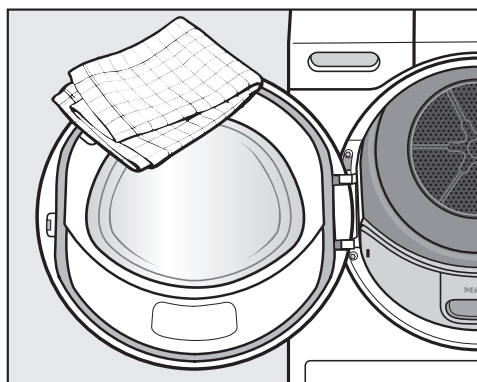
⚠ Damage or ineffective drying when drying without a plinth filter or with the heat exchanger flap open. An excessive accumulation of fluff can damage the dryer in the long term. If the system is not leak-proof, this can lead to ineffective drying. Only operate the dryer with the plinth filter fitted correctly and the heat exchanger access panel closed.

Cleaning the dryer

Disconnect the dryer from the electricity supply.

⚠ Damage due to the use of unsuitable care products. Unsuitable care products could damage plastic surfaces and other parts. Do not use solvents, abrasive cleaners, glass cleaners or all-purpose cleaners.

Cleaning recommendation: clean once or twice a year and as required.



- Clean the dryer and the seal on the inside of the door only with a slightly damp, soft cloth and mild detergent or soapy water.
- Dry all parts with a soft cloth.

Problem solving guide







Many malfunctions and minor faults that can occur in daily operation can be corrected without contacting Miele. This will save you time and money because you will not need a service call.

You can find information on how to remedy faults yourself at www.miele.com.au/service or www.miele.co.nz/service and on the Miele website.




Please note, however, that a call-out charge will be applied to unnecessary service visits where the problem could have been rectified as described in these operating instructions.

Some of the messages in the display are more than one line long. Touch the \vee or \wedge sensor to read them in full.

Fault messages shown in the display when a programme is cancelled

Message	Possible cause and remedy
 Empty container. See 	The condensed water container is full or there is a kink in the drain hose. <ul style="list-style-type: none">■ To clear the message, open and close the door with the tumble dryer switched on. Or switch the tumble dryer off and then on again.■ Empty the condensed water container.■ Check the drain hose.
 Blockage detected. See 	The laundry is unevenly distributed or has rolled up. <ul style="list-style-type: none">■ Open the door and loosen the laundry. If necessary, take out some of the laundry.■ Switch the dryer off and back on.■ Start a programme.
  Service Fault F XXX	There is no obvious cause. <ul style="list-style-type: none">■ Switch the dryer off and back on.■ Start a programme. If the programme terminates again with the same fault message, then there is a fault. Contact Miele.




Problem solving guide

Message	Possible cause and remedy
 Clean the plinth filter. See 	<p>The system is clogged by fluff or detergent residues.</p> <ul style="list-style-type: none"> ■ To deactivate the message, turn the programme selector to the  position. ■ Clean the fluff filters and the plinth filter. <ul style="list-style-type: none"> – Please see “Cleaning and care” for notes on cleaning. – If the fluff filters and the plinth filter are damaged or out of shape, or if they cannot be cleaned, they must be replaced. – If the fault message is displayed again after cleaning, this could be due to one of the causes listed below.
	<p>The plinth filter was too wet when it was fitted.</p> <ul style="list-style-type: none"> ■ Carefully squeeze the water out of the plinth filter. ■ Leave the plinth filter to air-dry.
	<p>There is still underlying residue in the plinth filter that could not be removed.</p> <ul style="list-style-type: none"> ■ Check the plinth filter. Follow the instructions in “Problem solving guide – Replacing the plinth filter”. ■ If the plinth filter is not damaged or out of shape, you can reactivate it in a washing machine. See “Problem solving guide – Regenerating the plinth filter”.
	<p>The heat exchanger is clogged.</p> <ul style="list-style-type: none"> ■ Check the heat exchanger. See “Problem solving guide – Checking the heat exchanger”.

Messages in the display

Message	Possible cause and remedy
000	<p>Access via a code has been activated.</p> <ul style="list-style-type: none"> ■ Enter the code and confirm the entry. Deactivate the code if you do not wish this message to appear in the display the next time the machine is switched on.
Finish/Cooling down	<p>The laundry is cooled down at the end of the programme.</p> <ul style="list-style-type: none"> ■ Either remove the laundry and spread it out to cool down or leave it in the tumble dryer to cool down during the cooling phase.

Problem solving guide

Message	Possible cause and remedy
i Clean the plinth filter. See 	<p>The tumble dryer is not working correctly or economically. Possible causes could be clogging caused by fluff or detergent residues.</p> <ul style="list-style-type: none"> ■ To deactivate the message, confirm with OK. ■ Please see "Cleaning and care" for notes on cleaning. ■ Clean the fluff filters. ■ Also check the plinth filter and clean it if necessary. <p>You can influence when the Clean the plinth filter. See  message lights up.</p> <ul style="list-style-type: none"> ■ Follow the instructions in "Settings - Airways indicator".
i Fill condensate container	<p>The condensed water container is empty. When certain programmes are being used, water is taken from the condensed water container and recycled.</p> <ul style="list-style-type: none"> ■ Fill the condensed water container to at least the —min— mark. ■ To deactivate the message: confirm with <i>OK</i>.
i Open & close door	<p>This is to remind you to load the laundry when the programme is selected.</p> <ul style="list-style-type: none"> ■ Load the laundry in the drum.
 Please wait	<p>The tumble dryer is expecting to receive programme data from the washing machine (<i>Wash2Dry</i>), or <i>SmartStart</i> is activated.</p>

Unsatisfactory drying results

Problem	Possible cause and remedy
The DryCare 40 Extra is not drying the laundry sufficiently.	<p>The room in which the tumble dryer is located is too warm. This has caused the DryCare process to finish prematurely.</p> <ul style="list-style-type: none"> ■ Ventilate the room thoroughly. ■ To fully dry the laundry, select <i>Warm air</i> with the <i>DryCare 40 Extra</i>.
The laundry is not sufficiently dry.	<p>The load consisted of different types of fabric.</p> <ul style="list-style-type: none"> ■ Finish drying using the <i>Warm air</i> programme. ■ Select a more suitable programme next time. <p>Tip: You can alter the residual moisture level for some programmes. See "Settings - Drying levels".</p>

Problem solving guide

Problem	Possible cause and remedy
Laundry or feather filled pillows smell after drying.	<p>The laundry was washed with insufficient detergent. Feathers are a natural product and this is quite normal.</p> <ul style="list-style-type: none"> ■ Laundry: use sufficient detergent next time. ■ Pillows: take out of the tumble dryer and aerate. ■ Use a fragrance flacon (available as an optional accessory).
Items made of synthetic fibres are charged with static electricity after drying.	<p>Synthetic fibres tend to attract static charge.</p> <ul style="list-style-type: none"> ■ Static charge can be reduced by adding a fabric softener to the final rinse in the washing programme.
There is a build-up of fluff.	<p>Fluff is principally the result of friction when garments are being worn and to some extent when they are being washed. Machine drying hardly causes any fluff to form.</p> <p>Fluff is collected by the fluff filters and the plinth filter and can be removed easily.</p> <ul style="list-style-type: none"> ■ See "Cleaning and care".

The drying process takes a long time.

Problem	Possible cause and remedy
The drying process goes on for too long or even switches off.*	<p>The room in which the tumble dryer is located is too warm.</p> <ul style="list-style-type: none"> ■ Ventilate the room thoroughly.
	<p>Detergent residues, hair and fine fluff can clog the filters.</p> <ul style="list-style-type: none"> ■ Clean the fluff filters and the plinth filter. ■ Remove visible fluff from the heat exchanger.
	<p>The laundry is unevenly distributed or has rolled up. The tumble dryer has been overloaded.</p> <ul style="list-style-type: none"> ■ Untangle the laundry and remove a few items, if necessary. ■ Start a programme.
	<p>The cool air intake (bottom right grille) is blocked.</p> <ul style="list-style-type: none"> ■ Move any objects, such as a laundry basket, away from the dryer.
	<p>The laundry is too damp.</p>

Problem solving guide

Problem	Possible cause and remedy
	<ul style="list-style-type: none"> ■ Spin the laundry using a higher spin speed in the washing machine.
	<p>Metallic components, e.g. zippers, have prevented the dryer from registering the correct moisture level.</p> <ul style="list-style-type: none"> ■ Open the zippers next time. ■ If the problem recurs, dry these items using the <i>Warm air</i> timed drying programme.

* Switch the tumble dryer off and on again before starting a new programme.

General problems with the tumble dryer

Problem	Possible cause and remedy
You can hear buzzing or humming operating noises.	<p>The compressor (heat pump) is operating. Or you have selected a programme which sprays condensed water into the drum.</p> <ul style="list-style-type: none"> ■ No action is required. These noises are quite normal and can be heard when the compressor or the condensed water pump is operating.
	There is no fault.
A programme cannot be started.	<p>There is no obvious cause.</p> <ul style="list-style-type: none"> ■ Connect the tumble dryer to the mains electricity supply ■ Turn on the tumble dryer. ■ Close the door. ■ Check whether the mains fuse has tripped.
	Has there been a power cut? When power is restored, any previously running programme will restart automatically.
When the <i>DryFresh</i>, <i>PowerFresh</i> or <i>DryCare 40 Extras</i> are selected, the drying level “jumps back” to a different one.	The drying level you selected previously cannot be combined with the Extra. The closest possible drying level is selected automatically.

Problem solving guide

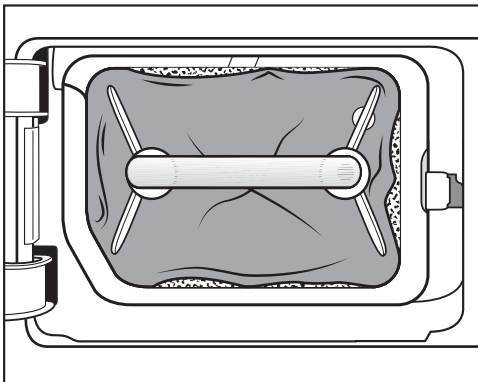
Problem	Possible cause and remedy
<p>The display is dark and the <i>Start/Add laundry</i> sensor is flashing slowly.</p>	<p>The display has switched off automatically to save energy (Standby mode). The drum will turn at intervals in the Anti-crease phase.</p> <ul style="list-style-type: none"> ■ Touch any sensor. This switches Standby off.
<p>The dryer is switched off at the end of the programme.</p>	<p>The tumble dryer switches off automatically. This is not a fault, but a normal function.</p>
<p>The display is in a different language.</p>	<p>A different language has been selected in “Settings - Language ▾”.</p> <ul style="list-style-type: none"> ■ Set the language you want. The flag symbol serves as a guide.
<p>The interior drum lighting does not come on.</p>	<p>To save energy, the drum lighting goes out automatically after a set time and after the programme starts.</p> <ul style="list-style-type: none"> ■ Switch the dryer off and then on again. ■ To switch the drum lighting on, open the door of the tumble dryer.
	<p>The drum lighting is faulty. The drum lighting is designed to last a long time and should not normally need to be replaced.</p> <ul style="list-style-type: none"> ■ If you have tried the remedies above but the drum lighting still does not come on, please contact Miele.
<p>The spray jet for spraying condensed water into the drum is insufficient.</p>	<p>When certain programmes are being used, water is taken from the condensed water container and sprayed into the drum. The spray jet can sometimes stop working.</p>
	<p>The fluff filter in the condensed water container is clogged.</p> <ul style="list-style-type: none"> ■ Clean the fluff filter in the condensed water container. See “Cleaning the fluff filter in the condensed water container” in this section.
	<p>The spray jet in the door opening is heavily calcified.</p> <ul style="list-style-type: none"> ■ Replace the spray jet. See “Replacing the condensed water spray jet” in this section. ■ Only use condensed water. Do not use tap water. <p>Tap water leads to limescale deposits in the long run.</p>

Problem solving guide

Replacing the plinth filter

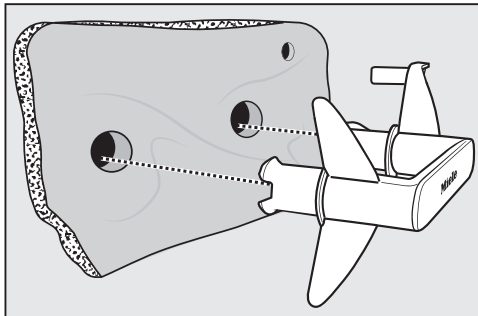
The heat exchanger can clog up. Replace the plinth filter immediately (replacement filters are available as an optional accessory) if you see the following signs of wear before or after cleaning.

Poor fit



The edges of the plinth filter do not sit properly and the filter is deformed. Fluff will blow into the heat exchanger unfiltered through edges that do not sit properly. This will eventually cause obstruction in the heat exchanger.

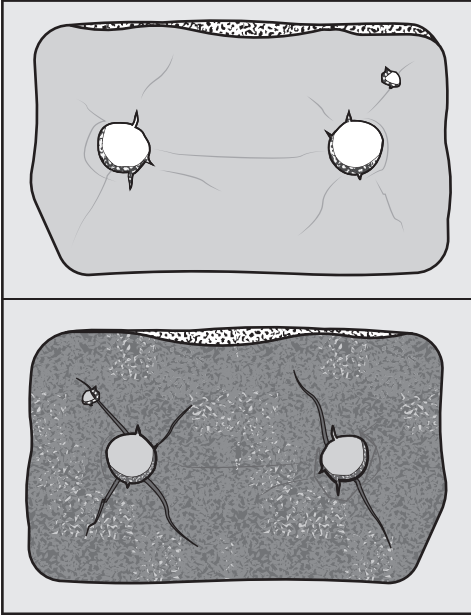
Deformations



Deformations indicate that the filter has become worn.

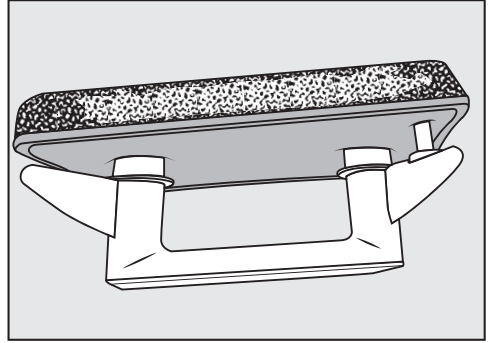
Problem solving guide

Cracks, tears, indentations



Fluff will blow into the heat exchanger unfiltered through cracks and tears and will cause obstruction. This will eventually cause obstruction in the heat exchanger.

White residues or residues of other colours



Residues arise from laundry fibres and residual detergent components. They can be found on the front and side edges of the plinth filter. In extreme cases, they can form stubborn crusts. Residues are a sign that the filter no longer has a snug fit at the sides, even if it appears to be perfect.

Fluff is getting in unfiltered at the edges.

Regenerate the plinth filter (see "Problem solving guide - Regenerating the plinth filter"). If the plinth filter shows these residues again soon, the plinth filter must be replaced.

Problem solving guide

Regenerating the plinth filter

You can regenerate one or more dirty plinth filters in the washing machine. The plinth filter will be ready for use again.

Before regenerating it, check whether the plinth filter is still in good condition. Check the plinth filter in accordance with the descriptions in "Problem solving guide - Replacing the plinth filter". If the plinth filter is worn, replace it.

- Wash one or more plinth filters separately without garments. Do not add laundry detergent.
- Select a short wash programme with a maximum temperature of 40°C and a maximum spin speed of 600 rpm.

After washing and spinning, you can refit the plinth filter.

Checking the heat exchanger

⚠ Risk of injury from sharp cooling fins.

You could cut yourself.

Do not touch the cooling fins.

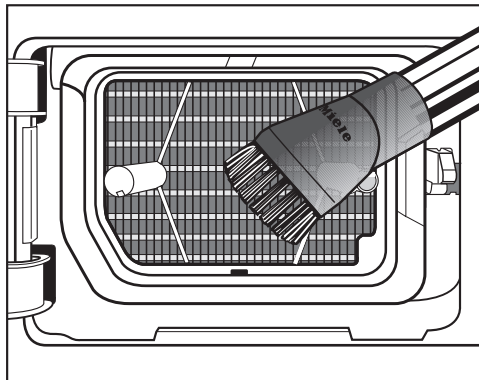
- Look to see if fluff has accumulated.

If fluff is present, it must be removed.

⚠ Damage due to incorrect cleaning of the heat exchanger.

The tumble dryer will not dry if the cooling fins are damaged or bent.

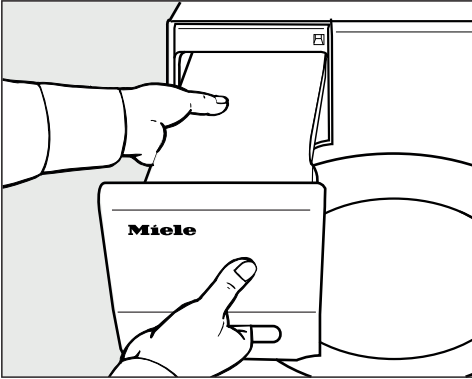
Clean using a vacuum cleaner with a dusting brush attached. Only pass the vacuum cleaner dusting brush over the fins lightly, without applying any pressure.



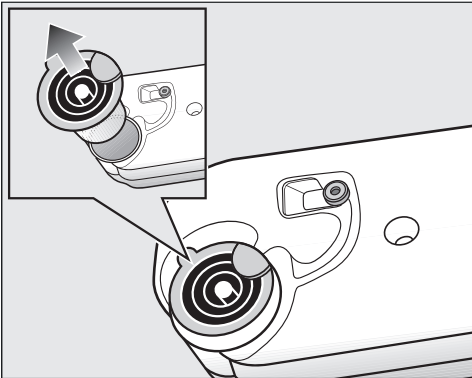
- Carefully vacuum up any fluff and residues.

Cleaning the fluff filter in the condensed water container

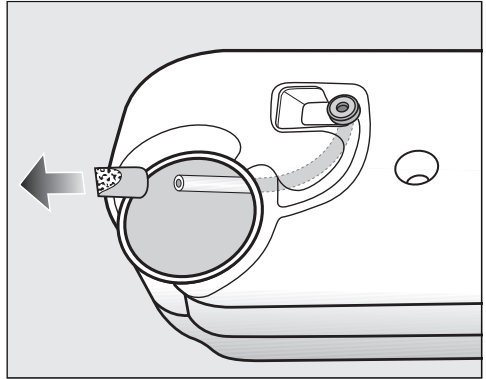
When certain programmes are being used, water is taken from the condensed water container and sprayed into the drum. The spray jet can sometimes stop working. The fluff filter in the condensed water container is clogged.



- Pull out the condensed water container.



- Reach under the side lug on the spout with your finger.
- Pull out the spout.



Be careful not to tug on the hose to avoid detaching it.

- Guide the end of the hose through the opening.
- Hold it securely with one hand.
- Use your other hand to pull the fluff filter off the hose.
- Rinse the fluff filter with a jet of water until all the fluff has been removed.
- Attach the clean fluff filter to the end of the hose.
- Now feed the hose back into the condensed water container.
- Refit the spout in the condensed water container ensuring that it is positioned correctly. Please refer to the image.


Problem solving guide

Replacing the condensed water spray jet

When certain programmes are being used, water is taken from the condensed water container and sprayed into the drum. The spray jet can sometimes stop working. Limescale deposits have built up on the spray jet.

Remove the spray jet and replace with a new one (optional accessory).

You can only replace the spray jet using a special tool. The special tool is supplied with the new spray jet.

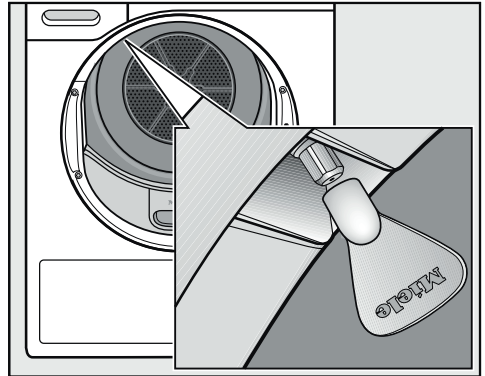
 Using the wrong tool can cause damage.

It can damage the spray jet or the tumble dryer.

Only use the tool supplied. Do not use any other tool.

- Open the tumble dryer door.

The spray jet is located in the top left of the door opening.



- Attach the tool to the spray jet.
- Turn the tool anti-clockwise to unscrew the spray jet.
- Insert the new spray jet in the tool.
- Turn the tool clockwise to screw the spray jet securely in position.

The tumble dryer must not be operated without the spray jet fitted.

You can find information on how to remedy faults yourself and about Miele spare parts at www.miele.com.au/service or www.miele.co.nz/service.

Contact in case of fault

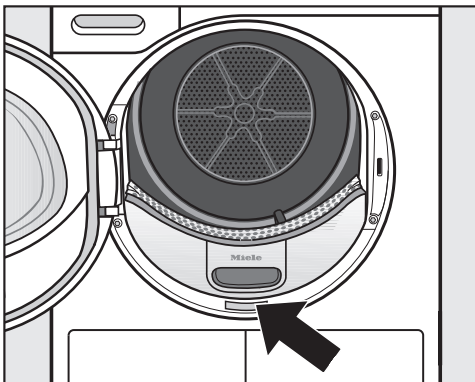
In the event of any faults which you cannot remedy yourself, please contact Miele.

You can book a Miele customer service call-out online at www.miele.com.au/service or www.miele.co.nz/service.

Contact information for Miele can be found at the end of this booklet.

Please quote the model and serial number of your appliance when contacting Miele. This information can be found on the data plate.

The data plate is visible when the door is open.



Optional accessories

Optional accessories for this tumble dryer are available from Miele (see contact details at the back of these instructions).

You also can order these and other useful products from the Miele online shop.

Drying basket

The drying basket is suspended in the drum and does not rotate with the drum. This enables items which must not be subjected to mechanical action to be dried or aired.

Fragrance flacon

Fragrance flacons can be used in your tumble dryer to add a pleasant fragrance to your laundry.

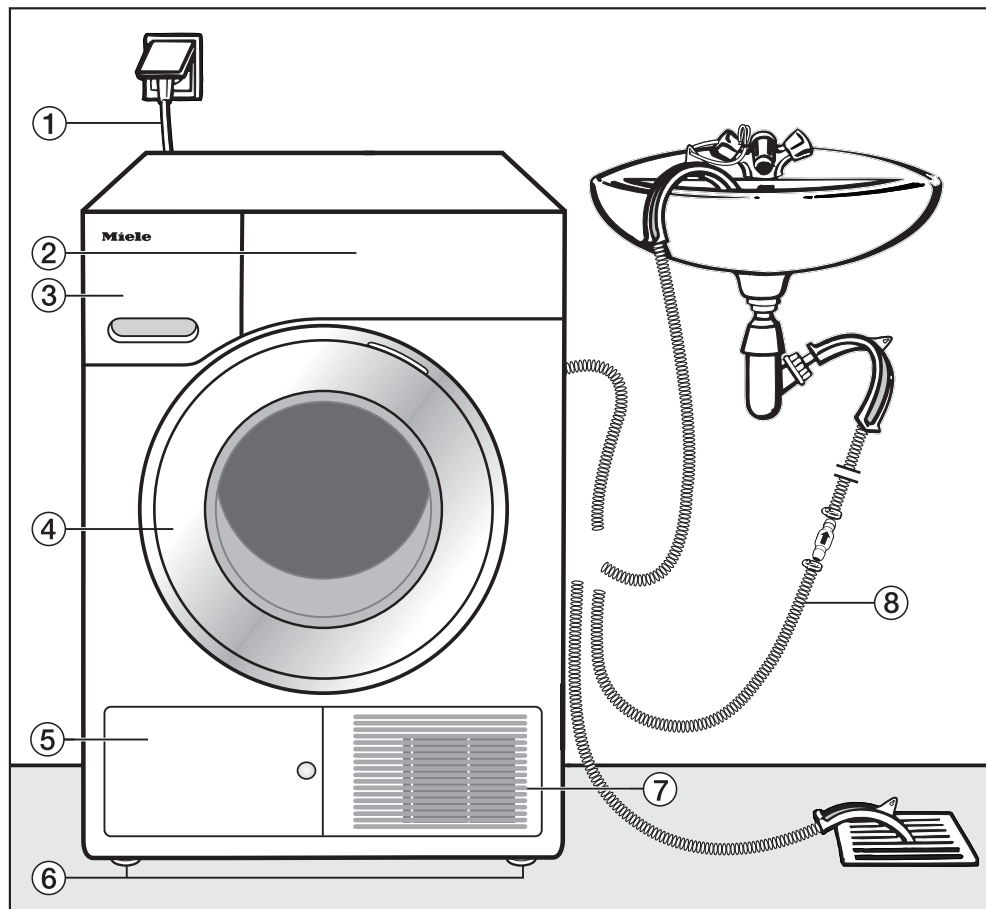
Warranty

The manufacturer's warranty for this appliance is 2 years.

For further information, please refer to your warranty booklet.

Installation

Front view



① Mains connection cable

② Control panel

③ Condensed water container

④ Door

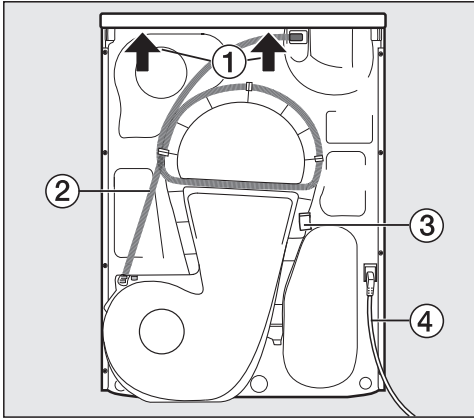
⑤ Plinth filter access panel

⑥ 4 height-adjustable feet

⑦ Cooling air grille

⑧ Drain hose for condensed water

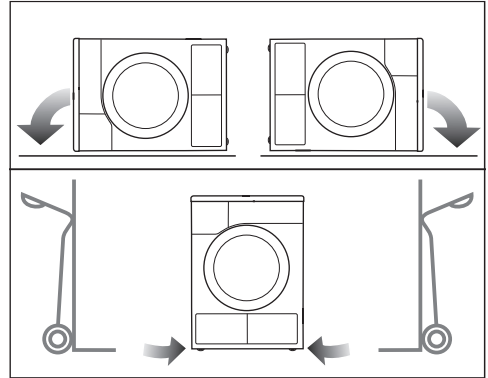
Rear view



- ① Protruding lid for holding when moving the machine
- ② Drain hose for condensed water
- ③ Hook for winding the mains connection cable around during transport
- ④ Mains connection cable

Transporting the tumble dryer

⚠ Danger of injury to people and damage to property caused by moving the appliance incorrectly. If the tumble dryer tips over, there is a danger of injury to people and damage to property. Ensure that the tumble dryer is stable during transportation.



- If the tumble dryer is being transported horizontally, it must only be tipped onto its left or right side.
- If the tumble dryer is being transported upright and you are using a handcart or trolley, you must only transport it with its left or right side resting on the handcart or trolley.

Transporting the tumble dryer to its installation site

⚠ Make sure the fixings at the back of the lid are secure.

Otherwise there is a danger of the lid being pulled off when carrying the appliance.

Before carrying the appliance, check that the lid is secure where it protrudes at the back of the appliance.

- Carry the tumble dryer by the front feet and by the lid where it protrudes at the back of the appliance.

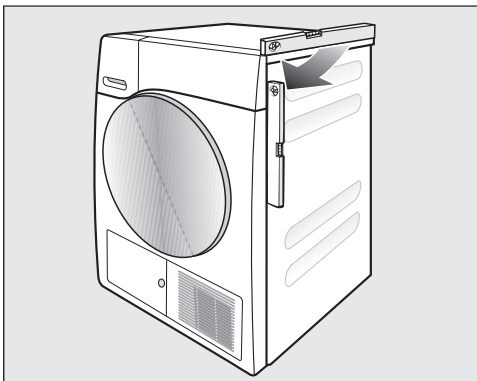
Installation

Installation

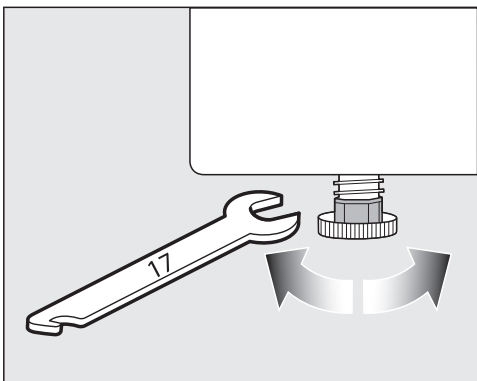
Levelling the dryer

The appliance must not be installed behind a lockable door, a sliding door or a door with a hinge on the opposite side to that of the tumble dryer, in such a way that a full opening of the tumble dryer door is restricted.

Make sure the dryer door can be opened without hindrance after installation.



To ensure proper operation, the tumble dryer must stand perfectly level. The screw feet on the tumble dryer can be adjusted to compensate for unevenness in the floor.



- Turn the screw feet by hand or with a flat open spanner.



⚠ Risk of fire and explosion due to damage to the tumble dryer.

The refrigerant is flammable and explosive.

Do not make any alterations to the tumble dryer. Take measures to protect the tumble dryer against damage.

If the tumble dryer is damaged, proceed as follows:

- Avoid naked flames or anything which creates a spark.
- Disconnect the dryer from the electricity supply.
- Air the room where the tumble dryer is located.
- Contact Miele Customer Service.

Downtime after installation

⚠ Damage to the tumble dryer by switching it on too soon.

This can damage the heat pump. After setting up the tumble dryer, wait for at least one hour before switching it on.

Ventilation

The cool air intake at the front of the tumble dryer must not be blocked or covered. This would hinder a sufficient intake of cool air for the heat exchanger.

Do not block the gap between the bottom of the tumble dryer and the floor with plinth facings, deep pile carpet etc. This would hinder a sufficient flow of air to the tumble dryer.

Adequate ventilation has to be provided to avoid the backflow of gases into the room from appliances burning other fuels, including open fires.

Air which is taken in to cool the heat exchanger is then blown back out of the dryer and warms up the air in the room. Ensure sufficient ventilation of the room, e.g. by opening a window. The drying time will otherwise take longer (higher energy requirement).

The heat pump that is essential to the operation of this tumble dryer generates a lot of heat inside its casing. It must be possible to dissipate this heat well.

Otherwise loads could take longer to dry or the tumble dryer might sustain damage in the long term.

Permanent room ventilation during every drying programme and the ventilation gap between the bottom of the tumble dryer and the floor are mandatory requirements at all times.

Before moving the tumble dryer again (e.g. when moving house)

A small quantity of condensed water that remains in the area around the pump after the drying process can run out if the tumble dryer is tilted. Recommendation: start a programme for approx. 1 minute before transporting the dryer. Any remaining condensed water will then be fed into the

condensed water container (which you will need to empty again) or out through the drain hose.

Additional installation requirements

Suitable for pushing under a worktop

This tumble dryer is suitable for pushing under a worktop.

Appliance defect due to a build-up of heat.

Make sure there is adequate room for warm air from the dryer to be directed away.

- The appliance lid cannot be removed.
- The electrical socket must be located in an accessible position near the appliance.
- Drying durations may increase slightly.

Optional accessories

– Washer-dryer stack

The tumble dryer can also be combined with a Miele washing machine in a washer-dryer stack. The appropriate Miele washer-dryer stacking kit is required.

– Plinth

The tumble dryer can be installed on a plinth with drawer (please note the plinth may not be available in all countries).

The plinth must be purchased as a pair and secured to the second plinth supporting another tumble dryer or washing machine.

Installation

Externally draining condensed water

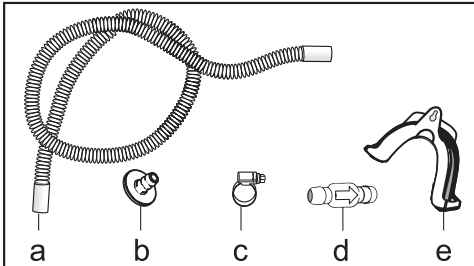
Notes

When drying is in progress, condensed water is pumped into the condensed water container through the drain hose which is located at the back of the dryer.

The condensed water can also be drained away via the drain hose. The condensed water container will then not need to be emptied.


Hose length: 1.49 m
Maximum delivery head: 1.00 m
Maximum drain hose length: 4.00 m

Drainage accessories



- Supplied: adapter (b), hose clip (c), hose holder (e);
- Available to purchase: “Non-return valve” kit for connection to an external water connection. Non-return valve (d), hose extension (a) and hose clips (c) are supplied with the kit.

Installation conditions requiring a non-return valve

 Danger of condensed water backflow.

Water could flow back into the tumble dryer or be drawn into it. Backflow water could damage the tumble dryer and also the room in which it is located.

The non-return valve should be used if the end of the hose is immersed in water, or if other water connections are installed.


Maximum delivery head with non-return valve fitted: 1.00 m

Installation conditions requiring the fitting of a non-return valve:

- Drainage into a laundry tub or floor gully where the end of the hose is immersed in water.
- Connection to a sink drain outlet.
- Connection to a drainage system already in use by another appliance, e.g. a dishwasher or washing machine.

If the non-return valve is incorrectly fitted the appliance will not drain. The non-return valve has to be fitted with the arrow on it pointing in the direction of flow.

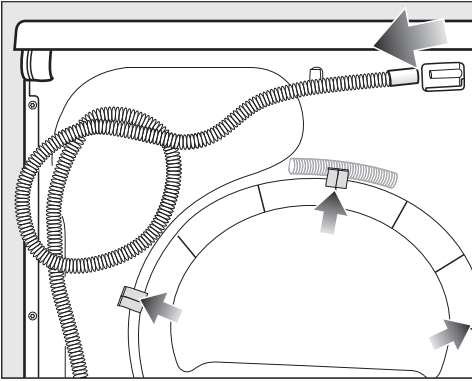
Arranging the drain hose

 Damage to the drain hose through incorrect handling.

The drain hose can suffer damage and leak.

Do not pull on the drain hose and do not stretch it or allow it to become kinked.

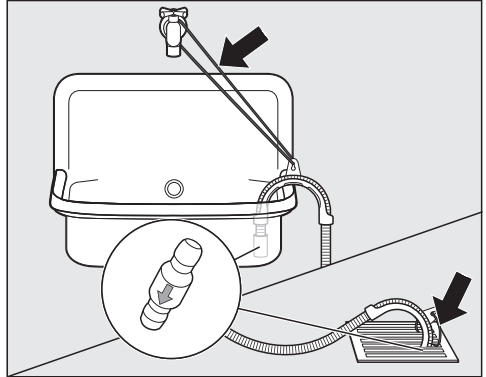
There will be a small amount of residual water left in the drain hose. Have a container ready to collect this.



- Pull the drain hose off its connection (light arrow).
- Pull the hose out of the holders (dark arrows) and unwind it.
- Allow any residual water to run into a container.

Examples

Drainage into a laundry tub or floor gully
Use the hose holder to secure the drain hose.



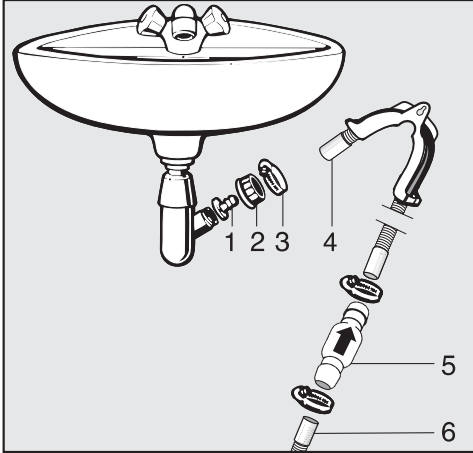
⚠ Risk of water damage.
Should the end of the hose come loose, overflowing water can cause damage.
Secure the drain hose carefully (e.g., by tying it) to make sure it cannot slip.

The non-return valve can be fitted in the end of the hose.

Installation

Direct connection to a sink drain outlet

Use the hose holder, the hose clips and the non-return valve (available to purchase).



1. Adapter
2. Nut
3. Hose clip
4. End of the hose (secured with the hose holder)
5. Non-return valve
6. Tumble dryer drain hose

- Fit the adapter **1** to the sink drain outlet using the nut **2**. The nut is usually fitted with a washer which must be removed.
- Attach the end of the hose **4** to the adapter **1**.
- Use the hose holder.
- Use a screwdriver to tighten the hose clip **3** up close to the nut.
- Fit the non-return valve **5** to the tumble dryer drain hose **6**.

The non-return valve **5** has to be fitted so that the arrow points in the direction of flow (i.e. towards the sink).

- Secure the non-return valve using hose clips.

Changing the door hinging

You can change the door hinging on this tumble dryer yourself.

For safety reasons, the tumble dryer must be disconnected from the electricity supply before changing the door hinging.

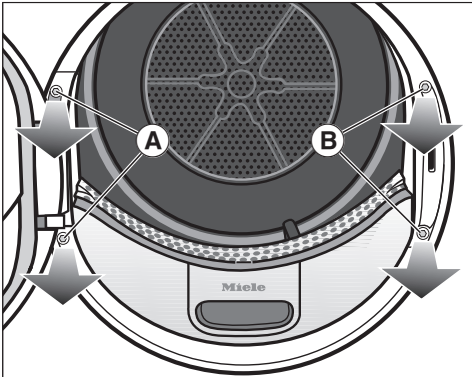
You will need:

- a T20 and T30 Torx screwdriver
- a flat head screwdriver or pointed pliers
- the lock catch cover supplied
- the door hinge cover supplied
- a soft surface (e.g. a tablecloth)

Changing the hinging over

1. Remove the door from the dryer

- Open the door.



- Use a T30 Torx screwdriver to unscrew the two screws on the base plate of the door hinge (A).

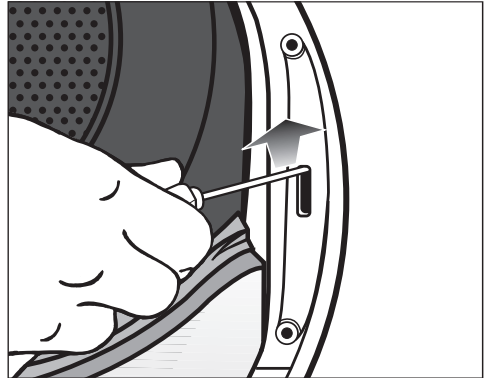
The door cannot fall off as it is held in place by two pins.

- Hold the door securely and pull it forwards: to remove the door you will need to pull the base plate of the hinge with its two pins out of the dryer.

To avoid scratching the door, place it outer side downwards on a soft surface (e.g. a tablecloth).

2. Change over the door lock on the dryer

- Use a T30 Torx screwdriver to unscrew the two screws on the door lock (B).

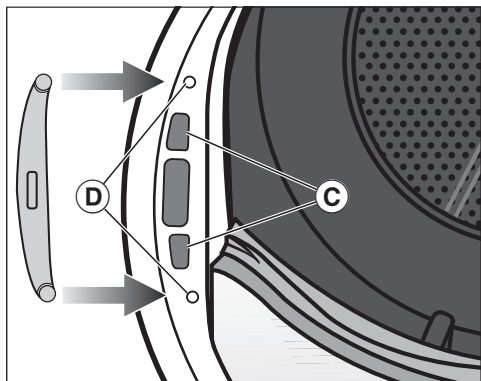


- Use the screwdriver to press the door lock upwards.

The door lock will spring out of its position and can then be removed.

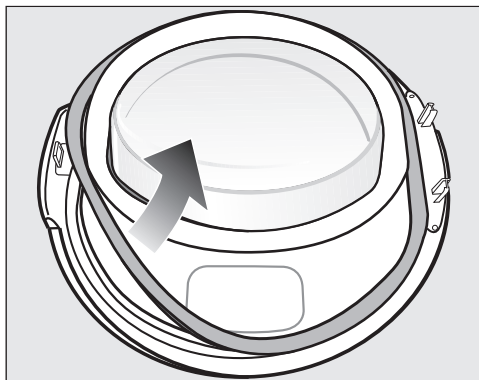
Installation

- Turn the door lock through 180°.

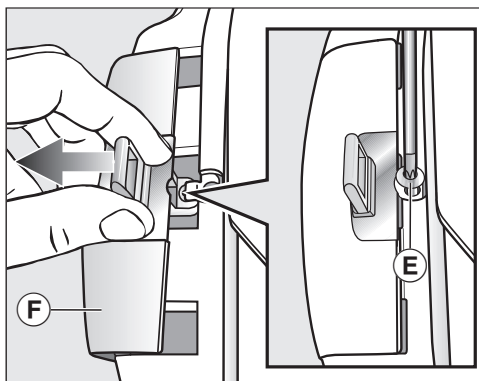


- Press the door lock into the openings ③ on the opposite side of the door opening.
- Adjust the position of the door lock so that the screw holes line up with those in the front panel of the dryer ④.
- Secure the door lock with the two Torx screws.

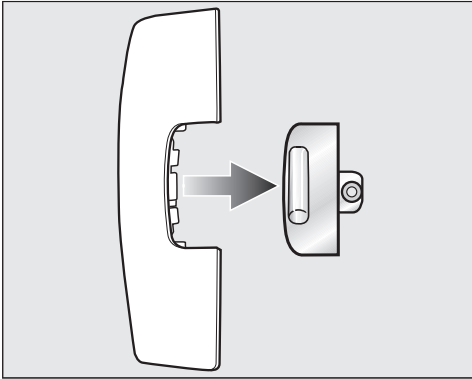
3. Remove the lock catch from the door



- First take the rubber seal off the door and place this to one side.

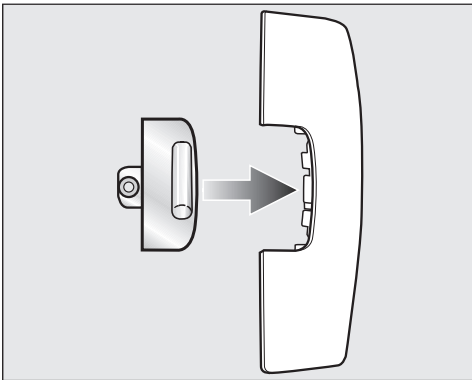


- Use a T20 Torx screwdriver to remove the screw ⑤ on the lock catch.
- Pull off the lock catch together with the lock catch cover ⑥.



- Remove the lock catch from the cover.

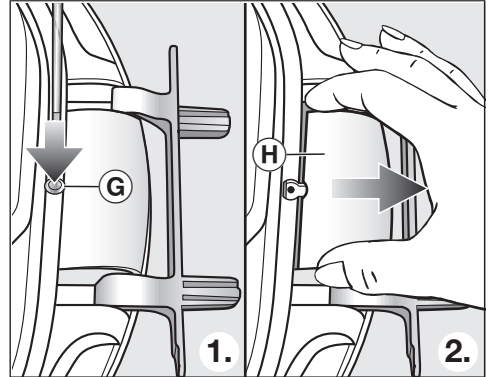
This lock catch cover is no longer needed. However, please keep it in a safe place.



- Insert the lock catch into the new cover supplied with the dryer.
- Place this new cover to one side for now.

4. Dismantle the door hinge from the door

The door hinge cover must be unclipped from position ⑥ and then removed.



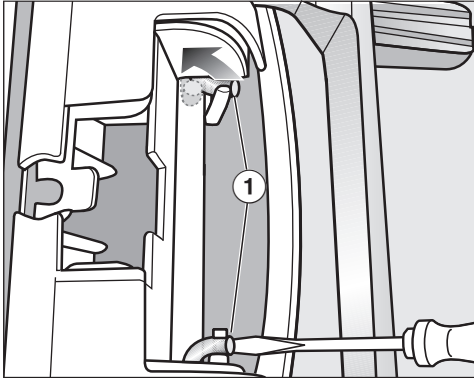
- Use a screwdriver to press down gently on position ⑥ on the door hinge cover.
- Using a little force, pull out the door hinge cover ⑥.

This door hinge cover is no longer needed. However, please keep it in a safe place.

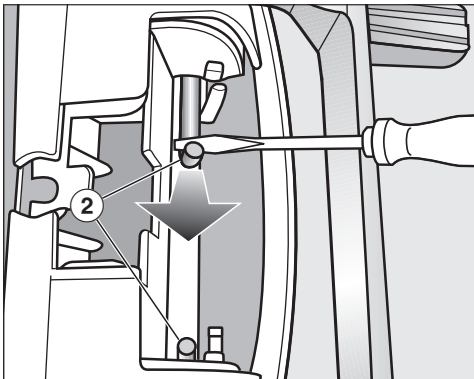
Installation

5. Change the door hinge on the door

The door hinge is secured to the door with 2 angled rods. These rods need to be removed with a screwdriver or pointed pliers.



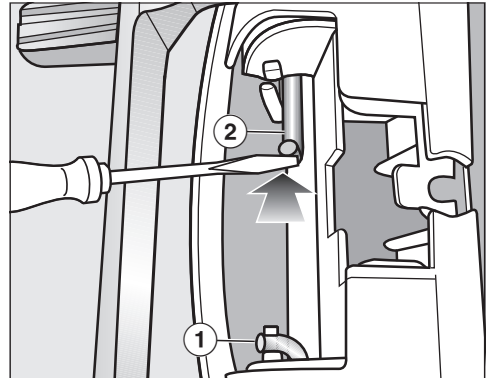
- Insert the end of the screwdriver blade under the rod ① and rotate it so it is in an upright position. Do the same to the other rod.



- Use the screwdriver or pointed pliers to guide first one then the other rod ② to the middle until each can be removed.

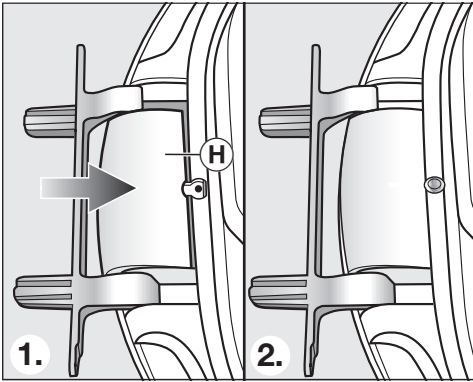
Useful tip: In some circumstances, the rods can be difficult to dislodge. Moving the screwdriver with a levering action while pulling at the same time may help to work the rods free.

- Remove the door hinge and rotate it 180°.
- Refit the door hinge on the opposite side of the door.



- Secure the door hinge with the two rods ②.
- Position the tip of the screwdriver under the end of the rod and then push it into its resting position ①.

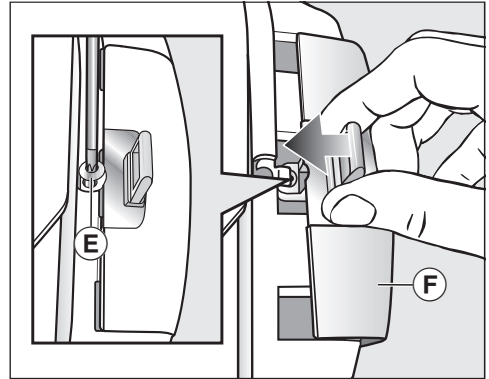
You now need the new door hinge cover supplied with the tumble dryer.



- Fit the new door hinge cover **H** and clip it into position.

6. Change the lock catch on the door

You now need the new lock catch cover supplied with the dryer which you have already fitted with the lock catch.

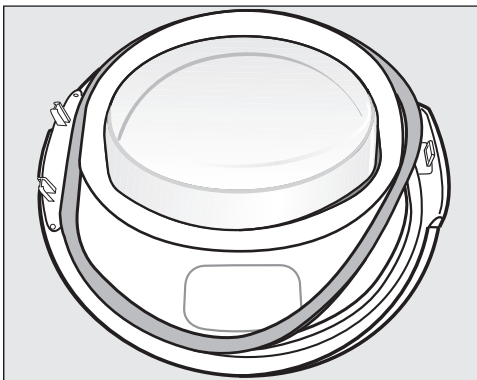


- Push the lock catch cover **F** with its lock catch into position.
- Tighten the screw **E** with a T20 Torx screwdriver.

Installation

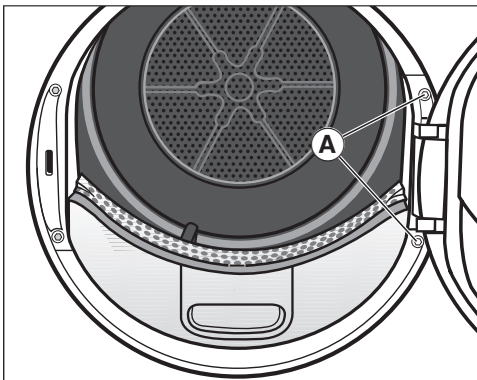
Refitting

7. Refit the door



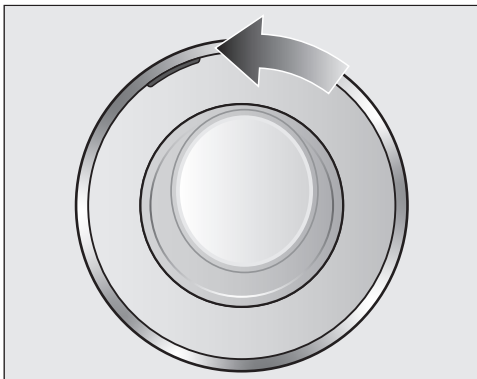
- Press the rubber seal back into the groove on the door.
- Position the door in front of the dryer.
- Fit the base of the door hinge with its two pins into the openings on the dryer.

The base of the door hinge must be flush with the front panel of the dryer. The door cannot fall off in this position.



- Screw the door securely to the dryer at the base of the door hinge (A) with a T30 Torx screwdriver.

⚠ Now that you have changed the door hinging, the door will open from the opposite side.



- Push the orange marker round to the other side so that you will see at which side to pull the door open.


Note

⚠ Please keep the lock catch and door hinge covers which were no longer needed in a safe place. These will be required if, for example, you move house and need to change the door hinging back to its original position.

Electrical connection

The tumble dryer is supplied with a mains cable with moulded plug ready for connection to a socket.

The socket should be easily accessible after the tumble dryer has been installed. If the socket is not easily accessible, ensure that a suitable means of disconnection is provided on the installation side for each pole.

 Risk of fire from overheating. Connecting the tumble dryer to a multi-socket plug adapter or to an extension lead can overload the cable. For safety reasons, do not use an extension cable or multi-socket adapter.

All electrical work must be carried out by a suitably qualified and competent person in strict accordance with national and local safety regulations.

For safety reasons, we recommend using a suitable residual current device (RCD) in the relevant electrical installation for connecting the tumble dryer.

If the mains connection cable is damaged, it must only be replaced with a specific mains connection cable of the same type (available from Miele). For safety reasons, such replacement may only be carried out by a suitably qualified and competent electrician or a Miele authorised service technician, in order to avoid a hazard.

The data plate indicates the nominal power consumption and the connection data. Compare this information with the data of the on-site electrical connection. If in any doubt, consult a qualified electrician.


Temporary or permanent operation with a self-sufficient or non-mains synchronous energy supply system (e.g. isolated networks, back-up systems) is possible. A requirement for the operation is that the energy supply system complies with all current local and national requirements that apply to stand-alone, solar and/or battery systems.

The protective measures provided in the domestic installation and in this Miele product must also be assured in their function and operation in isolated operation or in non-mains synchronous operation, or replaced with equivalent measures in the installation.

Technical data

Height	850 mm
Width	596 mm
Depth	643 mm
Depth with door open	1077 mm
Suitable for pushing under a worktop	Yes
Height for pushing under a worktop	850 mm (+8/-2 mm)
Width for pushing under a worktop	600 mm
Depth for pushing under a worktop	600 mm
Suitable for stacking	Yes
Weight	Approx. 52 kg
Drum volume	120 l
Maximum capacity	9.0 kg (weight of dry laundry)
Capacity of condensed water container	4.8 l
Drain hose length	1.49 m
Maximum delivery head	1.00 m
Maximum drain hose length	4.00 m
Length of connection cable	2.00 m
Voltage	See data plate
Rated load	See data plate
Fuse rating	See data plate
Test certificates awarded	See data plate
Energy consumption	See "Consumption data"
LEDs	Class 1
Frequency band	2.4000 GHz – 2.4835 GHz
Maximum transmission power	< 100 mW

Consumption data

	Load size ¹	Final spin speed in washing machine	Residual moisture	Energy	Duration
	kg	rpm	%	kWh	min
Cottons 	9.0	1000	60	1.55	184
	4.5	1000	60	0.84	108
Cottons Normal	9.0	1200	53	1.40	166
	9.0	1400	50	1.30	158
	9.0	1600	44	1.15	141
Cottons Hand iron	9.0	1000	60	1.14	137
	9.0	1200	53	1.00	120
	9.0	1400	50	0.95	112
	9.0	1600	44	0.80	95
Minimum iron Normal	4.0	1200	40	0.45	66
Delicates Normal	2.5	800	50	0.41	70
Woollens handcare	2.0	1000	50	0.02	5
Shirts Normal	2.0	600	60	0.44	62
Express Normal	4.0	1000	60	0.75	100
Proofing Normal	2.5	800	50	0.75	100
¹ Weight of dry laundry					
All data was calculated using EN 61121 unless otherwise stated.					

Consumption data can vary from the nominal values given above depending on the size of the load, types of textiles, residual moisture levels after spinning and fluctuations in the electricity supply, or when water hardness levels differ from specified values.

Using the Cottons Normal programme is recommended for a mixed cotton load and is the programme used in energy consumption tests according to AS/NZS 2442 (Refer to <http://www.energyrating.gov.au> website for consumption data).

The consumption data displayed by the tumble dryer may differ from the consumption data listed in the table. The differences are due to how data is calculated in the tumble dryer. For instance, when the programme running time is calculated, it is influenced by the residual moisture and composition of the laundry load, which – in turn – has an impact on the amount of energy required.

Settings

Calling up settings

Settings can be altered to adapt the electronics of the dryer to different requirements.
Settings can be altered at any time.

- Turn the programme selector to *Further programmes*/⚙️.



- Touch the ^ sensor once.

The following appears in the display:



- Confirm with the *OK* sensor.



You are now in the *Settings* submenu.

Selecting settings

- Touch the v or ^ sensor until the setting you want appears in the display.
- The v sensor scrolls down the list.
- The ^ sensor scrolls up the list.
- Touch the *OK* sensor to select the setting displayed.

Changing a setting

- Touching the v or ^ sensor will call up the different options for the setting.

For example, you can

- select a value. If the option is marked with a ✓ it is active

- change a bar chart
- change numbers.


- When the option you want appears in the display, touch the *OK* sensor to activate it.

Closing the Settings menu

- Turn the programme selector.

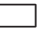
Language

The display can be set to appear in one of several different languages.



The flag  after the word Language (Sprache in German) acts as a guide in case a language which is not understood has been set.

The language selected is saved.

Drying levels

You can alter the drying levels for the *Cottons*, *Minimum iron* and *Automatic* programmes. The *Cottons*  programme will remain unchanged.

Options

- ■  (damper)
The programme duration is shorter
- ■■■■  (factory setting)
- ■■■■■■■■ (drier)
The programme duration is longer

Cooling down temperature

The laundry will be cooled down automatically before the end of the programme. The automatic cooling phase at the end of a programme can be set to a cooler level for all drying programmes. This extends the cooling phase.

Options

The level is set in increments of 1 °C.

- 55 °C (factory setting)
- ...
- 40 °C

Welcome tone

The volume for the welcome tone can be set to one of 7 different settings.

Options

- Off
- ■■■■■■■■ (quiet)
- ■■■■■■■■ (factory setting)
- ■■■■■■■■ (loud)

Keypad tone

Each touch of a sensor is confirmed with an audible tone.

Options

- Off (factory setting)
- ■■■■■■■■ (quiet)
- ■■■■■■■■ (loud)

In the case of a selection that is not allowed, a negative signal tone sounds.

Buzzer volume

The buzzer sounds to let you know the programme has finished. The buzzer can be set louder or quieter.

Options

- ■■■■■■■■ (quiet)
- ■■■■■■■■ (factory setting)
- ■■■■■■■■ (loud)

Buzzer duration


The buzzer sounds to let you know the programme has finished. You can decide how long the buzzer should sound for.

Options

- Only 3 times
The buzzer sounds 3 times at the end of the programme.
- Up to 1 hour
The buzzer sounds at the end of the programme until the tumble dryer switches off automatically (for a maximum of 1 hour).

Airways indicator



Fluff must be removed after every drying programme. In addition, this indicator will remind you to clean the filters when a certain amount of fluff has collected in them:

! Clean the plinth filter. See 

You can decide at what level of fluff this reminder should be given.

Options

You will have an idea of how often this should be done after a few drying programmes.

- Off
The reminder does not appear. However, regardless of this option, the programme will be cancelled and the error message  Clean the plinth filter. See  will appear in the display if there is a severe blockage in the ducting.
- Heavy
appears when there is a heavy build-up of fluff.
- Normal (factory setting)

Settings

- Light
appears whenever there is a small build-up of fluff.

Conductivity


This setting is only relevant for regions with very soft water.

Very soft water can result in unsatisfactory drying results. You should only select this setting if the water used for washing the laundry is extremely soft with a conductivity reading (electrical conductivity) of less than 150 $\mu\text{S}/\text{cm}$. Contact your local water authority for the conductivity level of your mains water supply.

Options

- Normal (factory setting)
- Low <150ms (only for regions with very soft water)

Consumption data

You can view information about the energy consumption of your tumble dryer with the  sensor. Various information can be shown in the display.

Options

- Estim. + Consump. (factory default setting)
 - Indicates the estimated energy consumption before the programme starts
 - Indicates the energy consumption once the programme starts

- Estimate
Only indicates the estimated energy consumption before the programme starts

When this option is activated, Consumption is no longer shown in the display.

Consumption

You can display the total consumption.

Options


- Previous programme
Displays the energy consumption in the last programme run
- Total consumption
Displays the total consumption to date
- Reset function
Deletes the total consumption to date

Code

The code prevents your machine being used without your knowledge.

Options

- Activate
The code is 250 and can be activated. When the code has been activated, you have to enter the code after switching the dryer on. Otherwise the dryer cannot be operated.
- Deactivate
For using the dryer without entering the code. This only appears if the code has been activated previously.
- Change
You can enter a code of your own.

 Important! Make a note of your new code. If you forget the code, the dryer will need to be unlocked by a Miele service technician.

Brightness

You can set the brightness of the display, the sensor controls, and the dimmed sensor controls.

Options

Display

Controls the brightness of the display.

- ■■■■■■■■ (dark)
- ■■■■■■■■ (factory setting)
- ■■■■■■■■ (bright)

Sensors active

Controls the brightness of the activated sensor controls.

- ■■■■■■■■ (dark)
- ■■■■■■■■ (bright)

Sensors inactive

Controls the brightness of the sensor controls that can be activated.

- ■■■■■■■■ (dark)
- ■■■■■■■■ (bright)

Useful tip: Ensure that there is a discernible difference in brightness between the activated and dimmed sensor controls. This makes it easier to operate the appliance.

Display switch-off status

To save energy, the display and sensors will go out after 10 minutes. The *Start/Add laundry* sensor flashes slowly. You can change this automatic switch-off function.

Options

- On (factory setting)
The display will go out (after 10 minutes):
 - if no programme selection is made after switching the dryer on
 - during the current programme
 - after the end of a programme.
- On (not current pr.)
The display will go out (as described above) but not while the current programme is running.
- Off
The display will remain on (i.e. it will never go out).

You can switch the display back on by touching any sensor.

Memory

The dryer saves the settings that were last selected for a drying programme (drying level and/or Extras, or the duration for some programmes).

The next time the programme is chosen the saved settings will appear in the display.

Options

- Off (factory setting)
- On

The activation of Delay start, the buzzer, or ECO feedback data are not saved.

Settings

Anti-crease

The Anti-crease function reduces creasing after the end of the programme.

The drum will continue to rotate for up to 2 hours after the drying cycle has finished. This helps to reduce creasing.

Options

- Off
- 1 h
- 2 h (factory default setting)

Programme info

Programme names and load quantities that light up in the display when the programme is selected with the programme selector can be switched off.

Options

- Off (Programme name and load size are not displayed)
- Programme name (The load size is not displayed)
- Prog. & max load (Both are displayed, factory setting)

Miele@home

Control the networking of your dryer with your home Wi-Fi network.

The following points may appear in the submenu:

- Set up

This message only appears if the dryer has not yet been connected to a Wi-Fi network.

Please refer to “Before using for the first time” for instructions on how to set up the connection.

- Deactivate (visible if Miele@home is activated)

Miele@home remains set up, the Wi-Fi function is switched off.

- Activate (visible if Miele@home is deactivated)

The Wi-Fi function is reactivated.

- Connection status (visible if Miele@home is activated)

The following values are displayed:

- The quality of the Wi-Fi reception
- The network name
- The IP address

- Set up again (visible if set up)

Resets the Wi-Fi login (network) to immediately re-establish a new connection.

- Reset (visible if set up)
- The Wi-Fi is switched off.
- The Wi-Fi connection will be reset to the factory setting.

The network configuration should be reset whenever the dryer is being disposed of or sold, or if a used dryer is being put into operation. This is the only way to ensure that all personal data has been removed and, in the case of the latter, the previous owner will no longer be able to access the appliance.

A new connection setup has to be carried out in order to use the Miele@home setting again.

Remote control

The Remote control setting (available depending on country) is only visible if the Miele@home setting is set up and activated.

Once the Miele App has been installed on your mobile device, you can check the status of your tumble dryer from anywhere and start it remotely. You can also control it remotely via the *MobileStart* function.

You can switch off the Remote control setting if you do not want to operate the dryer with your mobile device.

If Remote control is not switched on the App can cause the programme to be cancelled.

Use the Delay start sensor to set a time by when you want to start the tumble dryer (see “Delay start/SmartStart”). The tumble dryer will then start within the specified timeframe when it receives your signal.

If it has not received a start signal by the latest start time set, the tumble dryer will start automatically.

Remote control is activated as standard.

SmartGrid

The SmartGrid setting (available depending on country) is only visible if the Miele@home setting is set up and activated.

This function can be used for starting your dryer automatically at a time when energy rates are more economical.

Activating SmartGrid gives the *Delay start* sensor a new function. You can set the SmartStart via the Delay start sensor. The dryer will then start within the timeframe specified when it receives a signal from the energy supplier. If it has not received a signal from the energy supplier by the latest start time set, the dryer will start automatically (see “Delay start/SmartStart”).

SmartGrid is deactivated as standard.

Wash2Dry

You can deactivate the *Wash2Dry* function.

Settings

Options

- Off
Stops programme data being received from the washing machine.
- On (factory default setting)

RemoteUpdate

The RemoteUpdate function is used for updating the software in your tumble dryer.

RemoteUpdate is activated at the factory.

If you do not install a RemoteUpdate, you can continue to use your tumble dryer in the usual way. However, Miele recommends installing RemoteUpdates.

Activation

The RemoteUpdate menu option is only displayed and can only be selected if you have added your dryer to your Wi-Fi network (see “Settings - Miele@home”).

Miele’s RemoteUpdate function can only be used if the tumble dryer is connected to a Wi-Fi network and you have an account in the Miele App. The dryer must be registered in the App.

See the Miele App for terms and conditions of use.

Some software updates can only be carried out by Miele Service.

Running a RemoteUpdate

If a RemoteUpdate is available for your dryer, it will be displayed automatically for you.

You can choose to start the RemoteUpdate immediately or wait until later. If you select “Start later”, the

prompt to run the RemoteUpdate will be displayed again the next time you switch on the dryer.

The RemoteUpdate can take several minutes.

Please note the following information about the RemoteUpdate function:

- You will only receive a message when a RemoteUpdate is available.
- Once a RemoteUpdate has been installed, it cannot be undone.
- Do not switch off the dryer during a RemoteUpdate. Otherwise, the RemoteUpdate will be aborted and will not be installed.

Factory default

All settings except *Operating hours* are reset to the factory default settings.

Options

- Default settings
The settings are reset to the factory default settings.
- Back ↵
The settings are not reset to the factory default settings.

Operating hours

You can read off how many hours your tumble dryer has been in operation for.

The time is displayed as the total running time in hours.

Example: **i** Total: h.

Copyright and licences for operating and control software

For the purpose of operating and controlling the appliance, Miele uses proprietary or third-party software that

is not covered by open source licensing terms. These items of software/software components are protected by copyright. The copyright powers of Miele and third parties must be respected.

In addition, the appliance contains software components which are distributed under open source licensing terms. You can access these open source components along with the associated copyright notices, copies of the valid licensing terms and any further information in the appliance under the menu option **Settings | Appliance parameters | Legal information | Open source licences**. **The liability and warranty arrangements for the open source licences displayed at this location only apply in relation to the respective rights holders.**

Miele Australia Pty. Ltd.

ACN 005 635 398

ABN 96 005 635 398

Level 4, 141 Camberwell Road
Hawthorn East, VIC 3123

1300 464 353 (1300 4 MIELE)

info@miele.com.au

www.miele.com.au

Miele New Zealand Limited

IRD 98 463 631

8 College Hill
Freemans Bay, Auckland 1011

0800 464 353 (0800 4 MIELE)

customercare@miele.co.nz

www.miele.co.nz

Miele Global Headquarters

Germany

Miele & Cie. KG

Carl-Miele-Straße 29

33332 Gütersloh

Federal Republic of Germany

TWL 780 WP

en-AU, NZ

M.-Nr. 12 127 261 / 00