






PW 6241 D

en	Installation plan Commercial washing machine
cs	Instalační plán Profesionální pračka
hu	Üzembe helyezési terv Ipari mosógép
pl	Plan instalacyjny Pralnica profesjonalna
pt	Plano de instalação Máquina de lavar roupa industrial
tr	Kurulum planı Endüstriyel Çamaşır Makinesi

en 4
cs 21
hu 38
pl 55
pt 72
tr 90

Installation notes	4
Explanation of the safety notes and warnings on the machine	4
Installation requirements	4
General operating conditions	4
Installation	4
Electrical connection	5
Plumbing	6
Cold water connection	6
Hot water connection	6
Hard water connection	6
Drain valve	7
Dispenser pump connections	7
Optional accessories	9
BSK = Payment system kit	9
BSS peak-load negotiation kit	9
XKM RS232 communication module	9
Vapour and foam venting kit (APWM 063)	10
Installation	11
Installation (indirect steam heating)	11
Installation (direct steam heating)	13
Installation	15
Dimensions	15
Standard floor anchoring	16
SOM floor anchoring	16
Technical data	17
Voltage versions and electrical data	17
Connection for equipotential bonding	17
Steam connection	17
Water connections	18
Cold water connection	18
Hot water connection	18
Hard water connection	18
Condensate connection (indirect steam heating only)	18
Waste water (drain valve)	18
Average water consumption for a standard programme (Cottons 60 °C)	18
Securing the machine	18
Fittings	18
Emissions	19
Machine data	19
Transport data	19

Explanation of the safety notes and warnings on the machine

	Read the operating instructions
	Warning, hot surfaces
	Warning, voltage up to 1000 volts
	Protective earthing
	Equipotential bonding

Installation requirements

The washing machine must be installed and commissioned by a Miele Customer Service technician or by an authorised dealer.

- ▶ Suitable personal protective equipment must be worn during installation or maintenance.
- ▶ The washing machine must be installed in accordance with applicable regulations and standards. Local energy supplier and water authority regulations must also be observed.
- ▶ This washing machine must only be operated in a room that has sufficient ventilation and which is frost-free.

This washing machine should not be installed or operated in any area where there is a risk of explosion!

General operating conditions

This washing machine is intended only for use in a commercial environment and must only be operated indoors.

- Ambient temperature: 0-40 °C
- Relative humidity: non-condensing
- Maximum height above sea level of location site: 2000 m

Depending on the nature of the installation site, sound emissions and vibration may occur.

Tip: Have the installation site inspected and seek the advice of a professional in instances where increased noise may cause a nuisance.

Installation

Transport the washing machine to its installation site using a suitable pallet truck and remove the transport packaging.

The washing machine must be set up on a completely level, horizontal and firm surface with the minimum stated load bearing capacity (see "Technical data").

Tip: A concrete floor is the most suitable installation surface. It is far less prone to vibration during the spin cycle than wooden floorboards or a carpeted surface.

The floor load created by the washing machine is the load exerted by the area of the machine in contact with and transferred to the installation surface.

The washing machine requires a gap of at least 50 mm on each side to allow for movement during operation. Please ensure a minimum distance of 400 mm is maintained between the rear of the appliance and the rear wall.

The washing machine must not be installed on a carpeted floor.

The feet of the washing machine must be secured to the fastening points on the floor using the fittings supplied.

The fittings supplied are for bolting the machine to a concrete floor. If other floor types are present at the installation site, the fastening material must be ordered by the customer.

Electrical connection

The electrical connection must only be carried out by a qualified electrician who must ensure that all electrical work is carried out in accordance with applicable electrical regulations and standards (BS 7671 in the UK).

- ▶ This washing machine must be connected to an electrical mains supply that complies with local and national regulations. Please also observe your insurance and energy supplier's regulations as well as any health and safety at work regulations.
- ▶ The required voltage, connected load and fusing rating can be found on the data plate on the washing machine. Before connecting the machine to the power supply, please ensure that the mains supply voltage complies with the values given on the data plate.

Connection to a supply voltage other than the one quoted on the data plate can lead to functional faults and damage the washing machine!

If more than one voltage is quoted on the data plate, the washing machine can be converted for connection to the voltages stated.

- ▶ Conversion to a different voltage must only be carried out by a Miele Service engineer or by an authorised Service Partner. The wiring instructions given on the wiring diagram must be followed.

Tip: We recommend connection to the power supply via a suitably rated plug and socket which must be easily accessible for servicing and maintenance work after the machine has been installed. An electrical safety test must be carried out after installation and after any service work.

The machine should be connected with a suitably rated plug and socket in accordance with IEC 60309-1 or hard wired. For a hard wired connection an all-pole isolation device must be installed.

en - Installation notes

For hard-wired machines connection should be made via a suitable mains switch with all-pole isolation which, when in the off position, ensures a 3 mm gap between all open contacts. These include circuit breakers, fuses and relays (IEC/EN 60947).

If the mains supply cannot be permanently disconnected, the isolator switch (including plug and socket) must be safeguarded against being switched on either unintentionally or without authorisation.

► If it is necessary to install a residual current device (RCD) in accordance with local regulations, a residual current device type B (sensitive to universal current) must be used.

An existing type A residual current device (RCD) must be exchanged for a type B RCD.

An equipotential bond with good contact connection must always be provided in accordance with all national and local regulations.

Accessories for equipotential bonding are not supplied and need to be ordered separately.

Plumbing

Only connect the washing machine to the water supply with the hoses supplied.

Cold water connection

For the cold water connection, one stopcock each with a $\frac{3}{4}$ " external thread is required.

The water inlet hose for cold water (blue stripes) is not intended to be used with a hot water connection.

Hot water connection

To minimise energy consumption during operation with hot water, the washing machine should be connected to a suitable hot water ring circuit if present.

So-called "transmission pipes" (single pipes to hot water generators) can result in cooling down of the water remaining in the pipes if not in constant use. More energy would then be consumed to heat the suds up again.

The temperature of the water intake must not exceed 70 °C.

If there is no hot water supply at the installation location for the washing machine, the inlet hose for hot water must also be connected to the cold water supply. A Y-piece is required in this case. The cold water consumption increases accordingly to account for the missing hot water intake.

For functional and technical reasons it is not possible to operate the machine exclusively with a hot water connection.

Even if a hot water connection is present, the washing machine must be connected to a cold water intake.

Hard water connection

Connection for hard water. For the hard water connection, the same requirements apply as for the cold water connection.

If there is no hard water connection on site, the hose must be connected to the cold water connection.


Drain valve

In the case of washing machines with a drain valve, a motorised valve is used to drain the machine. An HT DN 70 angle connector can be used for draining the machine directly into the waste water system (without a siphon) or into an on-site floor drain (with odour trap).

Thanks to an improved closing mechanism and a larger cross-section, even the coarsest of soiling does not leave any deposits or debris behind which could result in blockages. The drain valve can also be operated manually to allow the suds container to be emptied in the event of a power outage.

A vented drainage system is vital for unimpeded drainage. If several machines are connected to a single drain pipe, this should be sufficiently large to allow all machines to drain simultaneously. The appropriate Miele installation kit (mat. no.: 05 238 090) is available to order from the Miele Customer Service Department or your Miele dealer for venting an HT DN 70 pipe. If the slope for drainage is extremely steep, the piping must be vented to prevent formation of a vacuum in the machine's drainage system.


Slow or obstructed drainage or a backup of water in the drum as a result of undersized pipework can result in faults occurring during programmes, which will result in fault messages appearing in the display.

 Outflowing suds can be as hot as 95 °C. Danger of burning!
Avoid direct contact.

Water connection

For compliance to The Water Supply (Water Fittings) Regulations 1999, please fit the double check valves included in the scope of supply to the on-site water supply for every water inlet hose used. The double check valves prevent water from the inlet hoses flowing back into the on-site drinking supply.

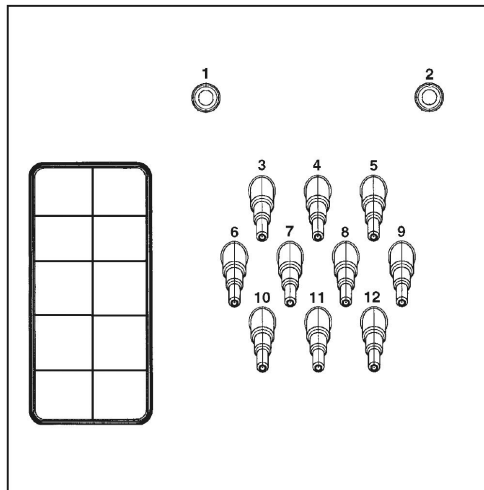
The flow pressure must be a minimum of 100 kPa and must not exceed 1000 kPa. If the flow pressure is higher than 1000 kPa, a pressure reducing valve must be used. The machine must be connected to the water supply using the inlet hoses included in the scope of supply.

 The connection points are subject to water supply pressure. Turn on the stopcock slowly and check for leaks. Correct the position of the seal and screw thread if appropriate.

Dispenser pump connections

Up to 12 dispenser pumps can be connected to the washing machine.

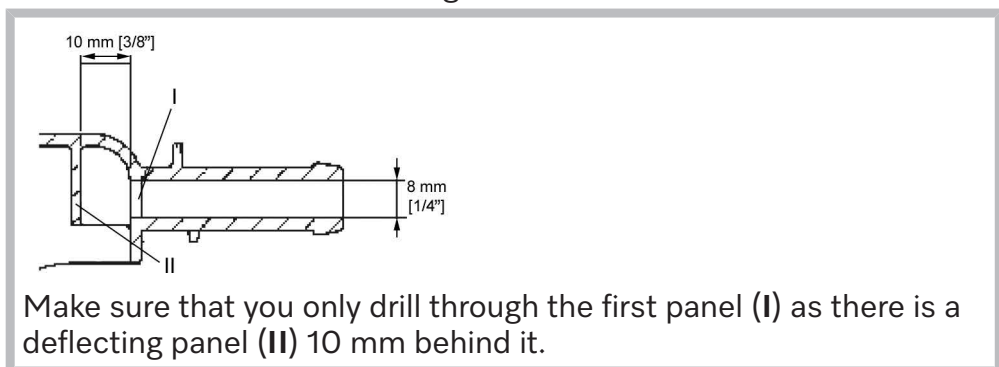
en - Installation notes



Dispenser pump connections on the back of the machine

Connections **1** and **2** are provided for viscous agents can also be used for high pressure dispensing systems with water injection. The dispensing systems must be fitted with a separate drinking water safety mechanism in accordance with EN 61770 and EN 1717. The maximum flow rate is 1500 ml/min with a maximum flow pressure of 300 kPa.

These connectors are sealed and need to be drilled open using a 8 mm drill bit before connecting.



Make sure that you only drill through the first panel (**I**) as there is a deflecting panel (**II**) 10 mm behind it.

Connections **3** to **12** are provided for liquid detergent. High pressure dispensing systems with water injection must not be connected to these connections. The connectors are sealed and must be cut to the diameter of the hose with a small saw before they are connected.

If opened connectors are no longer required, they must be resealed using a suitable sealant (e.g. silicone).

Connection terminals for five time-controlled dispenser pumps, which can be operated without a multifunction module, are located behind the cover adjacent to the electrical connection.

Calibration of the dispenser pumps and regulation of dispensing quantities is carried out partly automatically for washing machines fitted with an optional multifunction module. Information regarding settings is given in the operating instructions.

A flowmeter or flow sensors can also be connected for monitoring the dispensing quantity precisely.

Connections for level monitoring are available for every agent dispensed.

Optional accessories

Only use genuine Miele spare parts and accessories with this machine.

Using spare parts or accessories from other manufacturers will invalidate the warranty, and Miele cannot accept liability.

BSK = Payment system kit

The washing machine can be equipped with a payment system (e.g. for self-service operations) using the optional BSK payment system kit. This must be connected and programmed by a Miele Service technician. Payment systems with mechanical or electronic coin validator are available from Miele as optional accessories for individual target groups.

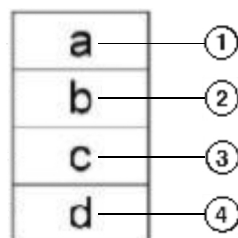
The programming required for connecting a payment system must be carried out by Miele Service or an authorised Miele dealer only. A separate electrical connection is not required for a payment system.

BSS peak-load negotiation kit

The washing machine can be connected to a peak-load shut-off or an energy management system using a BSS peak-load negotiation kit which is available as an optional accessory.

The peak-load cut-out monitors the energy consumption of a system and deactivates individual pieces of equipment temporarily in order to ensure that certain total load limits are not exceeded. Monitoring is externally controlled.

The kit provides three signal contacts and a neutral conductor via a terminal block. The terminal block is marked with "a", "b", "c", and "d".



- ① Output signal, start of machine operation
- ② Output signal, machine heating request
- ③ Peak-load input signal, machine heating deactivated
- ④ Neutral conductor

When the peak-load function is activated the current programme is stopped and a message appears in the display on the washing machine. At the end of the peak-load function the programme resumes automatically.

XKM RS232 communication module

The serial interface RS-232 can be retrofitted to the washing machine via an XKM RS 232 (optional accessory available from Miele). This communication module must only be used with Miele Professional machines that are fitted with an appropriate slot for the module.

en - Installation notes

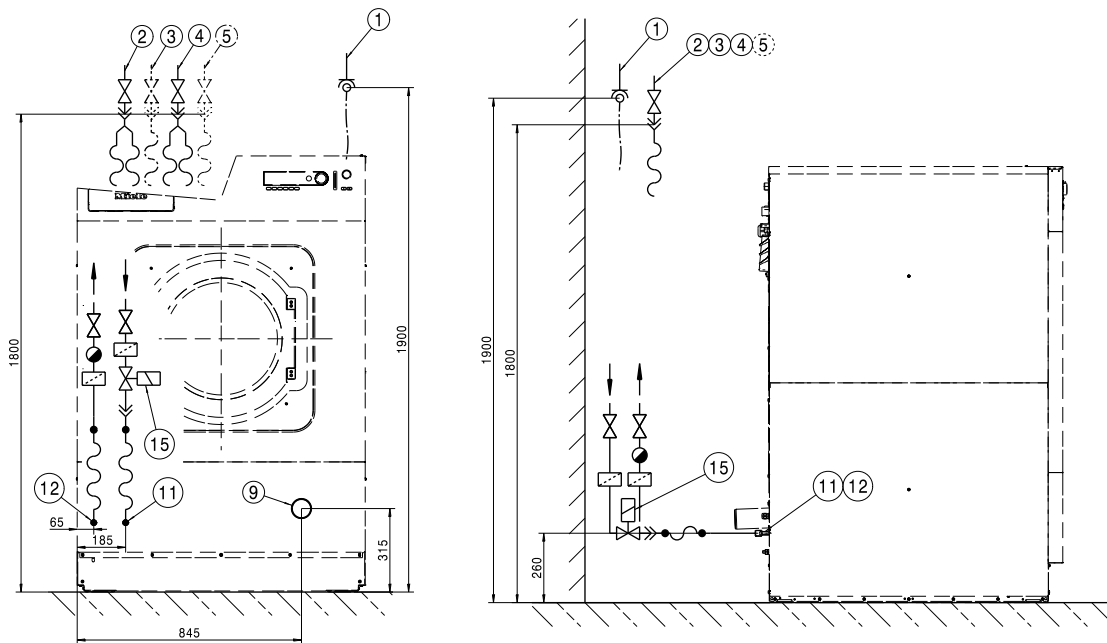
The data interface provided via communication module XKM RS232 complies with SELV (Safety Extra Low Voltage) in accordance with EN 60950.
Appliances connected to this interface must also be SELV compliant.

Communication module XKM RS 232 is supplied with a connection cable and a D-sub-connector.

Vapour and foam venting kit (APWM 063)

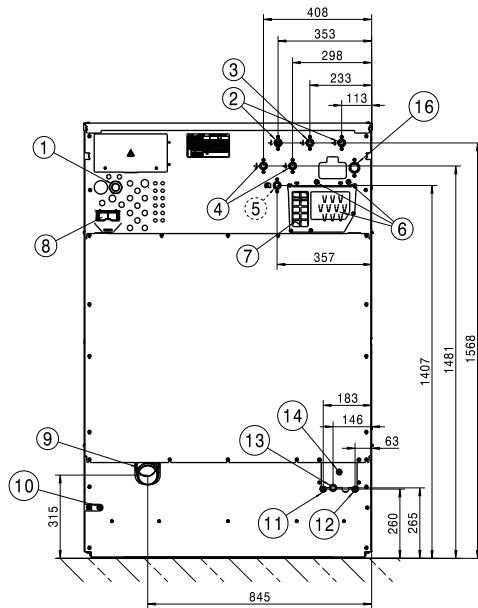
If excessive suds form, foam may escape from the vapour vent. To remove the foam, an optional vapour and foam venting kit can be used (Not for use in the UK).

Installation (indirect steam heating)



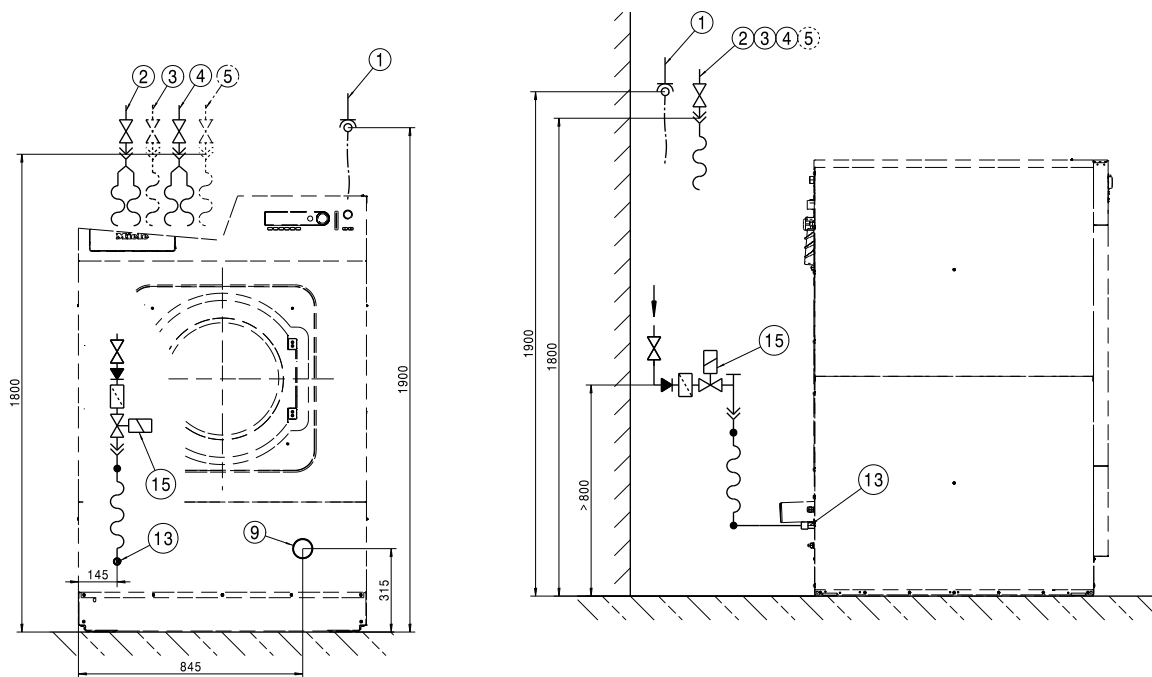
- ① Electrical connection
- ② Cold water connection
- ③ Hot water connection
- ④ Cold water connection (alternatively, hard water connection)
- ⑤ Cold water connection for liquid dispensing (optional)
- ⑥ Dispenser pump connections
- ⑦ Overflow
- ⑧ Communication connection
- ⑨ Drain pipe
- ⑩ Connection for equipotential bonding
- ⑪ SI connection, intake (indirect steam) SI only
- ⑫ SI connection, drain (indirect steam) SD only
- ⑬ SD connection (direct steam) SD only
- ⑭ Steam valve connection SI/SD only
- ⑮ Steam valve SI/SD only

en - Installation



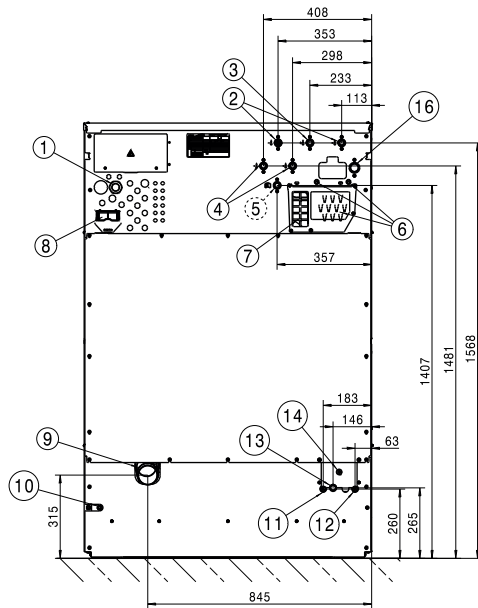
- | | |
|--|--|
| ① Electrical connection | ⑨ Drain pipe |
| ② Cold water connection | ⑩ Connection for equipotential bonding |
| ③ Hot water connection | ⑪ SI connection, intake (indirect steam) SI only |
| ④ Cold water connection (alternatively, hard water connection) | ⑫ SI connection, drain (indirect steam) SI only |
| ⑤ Cold water connection for liquid dispensing (optional) | ⑬ SD connection (direct steam) SD only |
| ⑥ Dispenser pump connections | ⑭ Steam valve connection SI/SD only |
| ⑦ Overflow | ⑮ Steam valve SI/SD only |
| ⑧ Communication connection | ⑯ Water recovery connection (optional) |

Installation (direct steam heating)



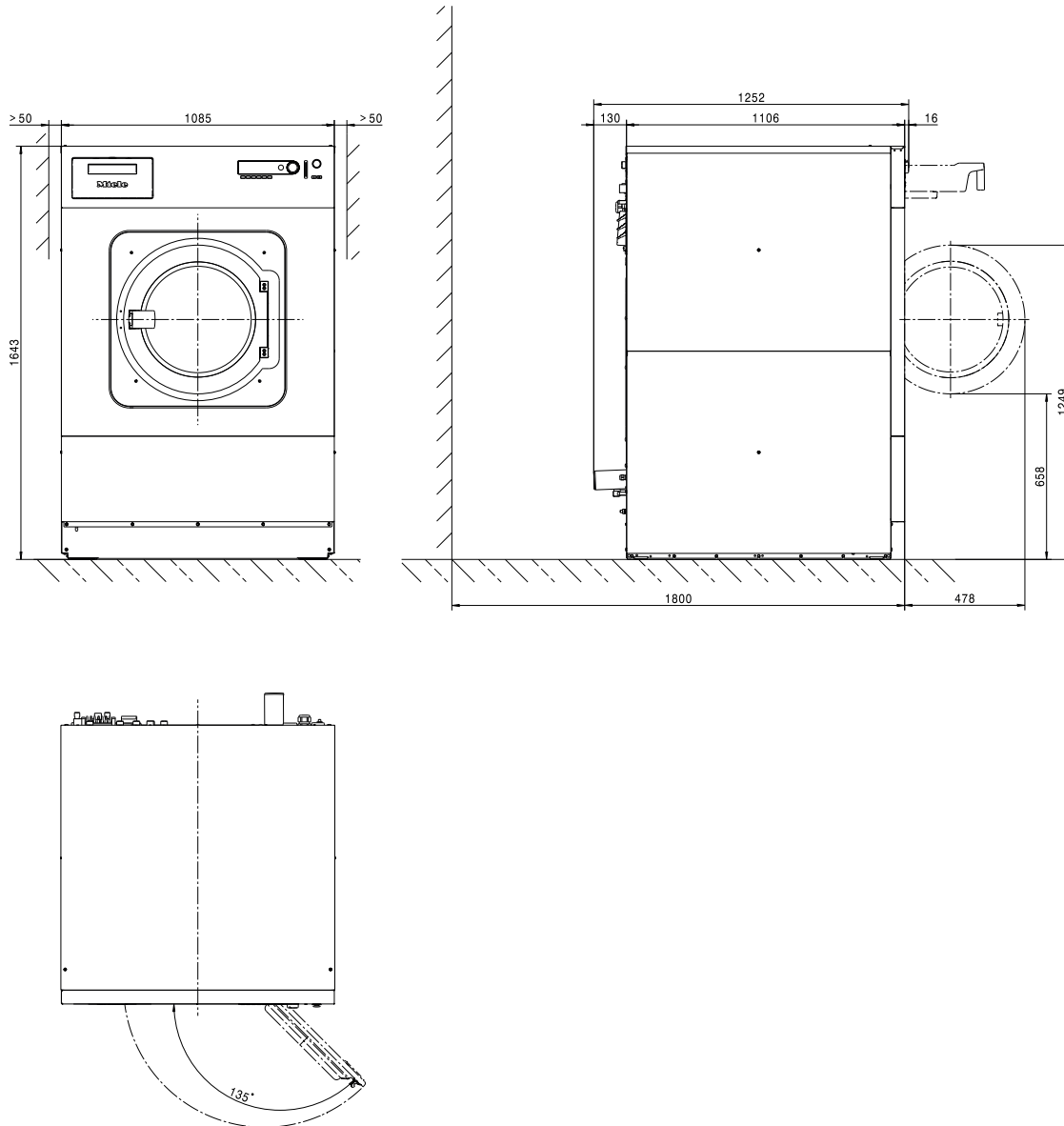
- ① Electrical connection
- ② Cold water connection
- ③ Hot water connection
- ④ Cold water connection (alternatively, hard water connection)
- ⑤ Cold water connection for liquid dispensing (optional)
- ⑥ Dispenser pump connections
- ⑦ Overflow
- ⑧ Communication connection
- ⑨ Drain pipe
- ⑩ Connection for equipotential bonding
- ⑪ SI connection, intake (indirect steam) SI only
- ⑫ SI connection, drain (indirect steam) SD only
- ⑬ SD connection (direct steam) SD only
- ⑭ Steam valve connection SI/SD only
- ⑮ Steam valve SI/SD only

en - Installation



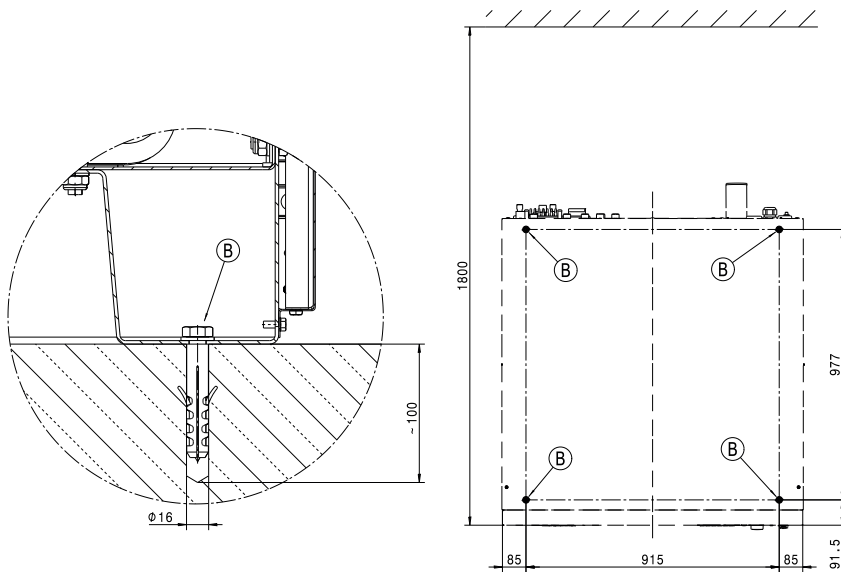
- ① Electrical connection
- ② Cold water connection
- ③ Hot water connection
- ④ Cold water connection (alternatively, hard water connection)
- ⑤ Cold water connection for liquid dispensing (optional)
- ⑥ Dispenser pump connections
- ⑦ Overflow
- ⑧ Communication connection
- ⑨ Drain pipe
- ⑩ Connection for equipotential bonding
- ⑪ SI connection, intake (indirect steam) SI only
- ⑫ SI connection, drain (indirect steam) SD only
- ⑬ SD connection (direct steam) SD only
- ⑭ Steam valve connection SI/SD only
- ⑮ Steam valve SI/SD only
- ⑯ Water recovery connection

Dimensions



en - Installation

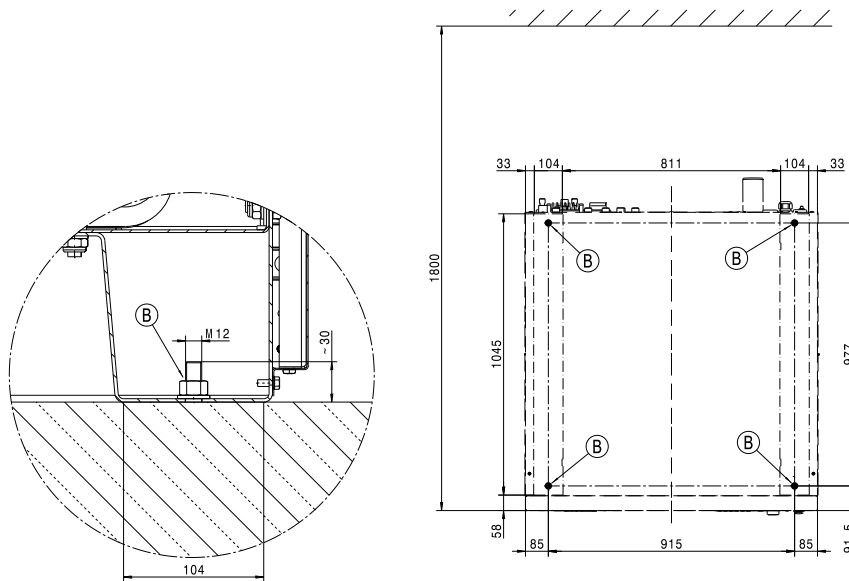
Standard floor anchoring



Dimensions in mm

Ⓑ screw/anchor point

SOM floor anchoring



Dimensions in mm

Ⓑ screw/anchor point

Voltage versions and electrical data

	<i>Standard:</i>	<i>Convertible to:</i>
Supply voltage	3N AC 380-415V	3N AC 380-415V
Frequency	50 Hz	60 Hz
Power rating	6,1 kW	6,1 kW
Fuse rating (on site)	3 x 16 A	3 x 16 A
Connection cable, min. cross-section	4 x 1,5 mm ²	4 x 1,5 mm ²
Cable gland	M16 x 1,5 mm	M16 x 1,5 mm
Supply voltage		3 AC 400V
Frequency		60 Hz
Power rating		6,1 kW
Fuse rating (on site)		3 x 16 A
Connection cable, min. cross-section		4 x 1,5 mm ²
Cable gland		M16 x 1,5 mm

Miele recommends connecting the machine via a wall socket with an all-pole means of deactivation and interlock in accordance with IEC 60309 and IEC 60947 so that electrical safety checks can be carried out easily.

For hard-wired machines, an isolator in accordance with IEC 60947 must be installed.

The wall socket or isolator must remain accessible at all times once the machine has been installed.

To increase safety, Miele recommends installation of a residual current device (RCD). Only use residual current devices that are sensitive to universal current (type B).

Connection for equipotential bonding

Connection with male thread (machine)	10 mm x 30 mm (3/8" x 1 3/16")
Size of washers and nuts	M 10

An equipotential bond with good contact connection must always be provided in accordance with all national and local regulations.

Steam connection

Indirect steam heating

Steam overpressure	400–1000 kPa
Boiling point	152–184 °C
Heater rating (peak capacity)	50 kW
Mass flow (peak capacity)	84 kg/h
Threaded union (on site)	½" female thread

Steam solenoid valve, dirt filter and steam shut-off valve must be installed by the customer on site. Follow the installation instructions for steam-heated machines.

Direct steam heating

Steam overpressure (high pressure)	≤ 400 kPa
Boiling point (high pressure)	≤ 152 °C
Heater rating (peak capacity high pressure)	86 kW
Mass flow (peak capacity high pressure)	140 kg/h
Steam overpressure (low pressure)	≤ 50 kPa
Boiling point (low pressure)	≤ 120 °C
Heater rating (peak capacity low pressure)	29 kW
Heater rating (peak capacity low pressure)	45 kg/h
Threaded union (on site)	¾" female thread

Steam solenoid valve, dirt filter and steam shut-off valve must be installed by the customer on site. Follow the installation instructions for steam-heated machines.

en - Technical data

Water connections

Cold water connection

Required flow pressure	100–1000 kPa (1–10 bar)
Maximum flow rate (if no hot water and hard water supply)	74 (79,5*) l/min
Maximum flow rate	26 (31,5*) l/min
Threaded union required (male thread, to be provided by customer in accordance with DIN 44991, flat sealing)	3/4"
Length of water inlet hose supplied	2 (3*) x 1550 mm
*With liquid dispensing	

Hot water connection

Maximum permissible hot water temperature	60 °C
Required flow pressure	100–1000 kPa (1–10 bar)
Maximum flow rate	16 l/min
Threaded union required (male thread, to be provided by customer in accordance with DIN 44991, flat sealing)	3/4"
Length of water inlet hose supplied	1 x 1550 mm

Hard water connection

Required flow pressure	100–1000 kPa (1–10 bar)
Maximum flow rate	32 l/min
Threaded union required (male thread, to be provided by customer in accordance with DIN 44991, flat sealing)	3/4"
Length of water inlet hose supplied	2 x 1550 mm

Condensate connection (indirect steam heating only)

Threaded union for condensate connection (on site)	½" female thread
--	------------------

Condensate trap, dirt filter and steam shut-off valve must be installed by the customer on site.

Waste water (drain valve)

Maximum waste water temperature	95 °C
Machine-side drain connection (external diameter)	HT DN 70
On-site drain (internal diameter)	75 x 1,9 x 110 mm (Muffe DN 70)
Maximum flow rate	200 l/min

A vented combined pipe is required to drain the waste water. If several machines are connected to a single drain pipe, this should be sufficiently large to allow all machines to drain simultaneously.

Average water consumption for a standard programme (Cottons 60 °C)

Cold water – soft	59 l/h
if no hard water connection	127 l/h
Hot water – soft	121 l/h
Cold water – hard	68 l/h

Securing the machine

Fittings

4 x wood screws DIN 571 (Ø x length)	12 mm x 90 mm
4 x plugs (Ø x length)	16 mm x 80 mm

Fixing the machine in place is absolutely essential.

Fastenings for floating screed must be supplied by the customer on site.

Emissions

Average heat dissipation rate to installation room	4,7 MJ/h
Emission sound pressure level in the workplace	78 dB(A) re 20 µPa
Sound power level, washing	60,3 dB (A) re 1 pW
Sound power level, spinning	82,2 dB (A) re 1 pW

Machine data

Machine width	1085 mm
Machine height	1643 mm
Machine depth	1106 mm
Machine width, total	1089 mm
Machine height, total	1646 mm
Machine depth, total	1252 mm
Width of loading aperture (internal diameter)	1185 mm
Recommended wall spacing (up to the front edge of the machine)	1800 mm
Net weight	640 kg
Max. floor load in operation	8417 N
Maximum static load	7063 N
Maximum dynamic load	1353 N
Maximum rotation frequency of drum	18,3 Hz

Installation should only be performed by qualified fitters in compliance with valid regulations, relevant standards and health and safety codes.






Transport data

Packaging width	1260 mm
Packaging height	1710 mm
Packaging depth	1470 mm
Gross weight	691 kg

cs - Obsah

Pokyny k instalaci	21
Vysvětlení bezpečnostních pokynů a varovných upozornění na přístroji	21
Předpoklady instalace.....	21
Všeobecné provozní podmínky.....	21
Umístění	21
Elektrické připojení.....	22
Připojení vody.....	23
Upozornění pro Švýcarsko.....	23
Pozor v Rakousku.....	23
Přípojka studené vody.....	23
Přípojka teplé vody	23
Přípojka tvrdé vody	23
Vypouštěcí ventil.....	24
Připojení dávkovacích čerpadel	25
Zvláštní vybavení/příslušenství k dokoupení	26
Sada pro inkasní přístroj (BSK).....	26
Sada pro vypnutí při špičce (BSS)	26
Komunikační modul XKM RS232.....	26
Sada pro odvádění par a pěny (APWM 063).....	27
Instalace	28
Instalace (nepřímý parní ohřev).....	28
Instalace (přímý parní ohřev)	30
Umístění	32
Rozměry	32
Standardní upevnění na podlaze	33
Upevnění na podlaze SOM.....	33
Technické údaje	34
Variety napětí a elektrické údaje.....	34
přípoj pro vyrovnání potenciálů.....	34
Připojení na páru.....	34
Přípojky vody	35
Přípojka studené vody.....	35
Přípojka teplé vody	35
Přípojka tvrdé vody	35
Připojení kondenzátu (jen při nepřímém parním ohřevu).....	35
Odpadní voda (vypouštěcí ventil).....	35
Průměrná spotřeba vody pro standardní program (barevné prádlo 60 °C)	35
Upevnění.....	35
Upevňovací materiál.....	35
Emise přístroje	36
Údaje o přístroji	36
Přepravní údaje	36

Vysvětlení bezpečnostních pokynů a varovných upozornění na přístroji

	Přečtěte si návod k obsluze
	Pozor, horké povrchy
	Pozor, napětí až 1 000 voltů
	Ochranné uzemnění
	Vyrovnaní potenciálů

Předpoklady instalace

Pračku smí nainstalovat jen servisní služba Miele nebo vyškolený personál pověřeného specializovaného prodejce.

► Instalace musí být provedena podle platných pravidel a norem. Kromě toho musí být respektovány předpisy místního dodavatele energií a vodárny.

► Pračku provozujte vždy jen v dostatečně větraných místnostech, které nejsou ohrožené mrazem.

Pračka není určena pro provoz v oblastech ohrožených výbuchem!

Všeobecné provozní podmínky

Pračka je určena výhradně pro použití v živnostenské oblasti a smí se používat jen ve vnitřních prostorách.

- teplota okolí: 0-40 °C
- relativní vlhkost vzduchu: bez kondenzace
- maximální nadmořská výška instalace: 2000 m

Podle charakteru místa instalace může docházet k přenosu zvuku nebo vibrací.

Tip: Při zvýšených požadavcích na protihlukovou ochranu nechte místo instalace přístroje posoudit pracovníkem kvalifikovaným v ochraně proti hluku.

Umístění

Dopravte pračku zvedacím vozíkem na místo instalace a odstraňte přepravní obal.

Pračka musí být umístěna na naprosto rovné, vodorovné a pevné ploše, která je dimenzovaná přinejmenším na uvedené zatížení podlahy (viz kapitola „Technické údaje“).

Tip: Jako instalační plocha je nejvhodnější betonová podlaha. Ta se na rozdíl od podlahy z dřevěných trámů nebo jiné „měkké“ podlahy jen zřídka rozkmitá při odstředování.

Pračka zatěžuje instalační plochu podlahy plošně v oblasti noh přístroje.

Kvůli dynamickým pohybům přístroje během provozu vyžaduje pračka boční odstupy nejméně 50 mm. Vzdálenost zadní strany přístroje od zadní stěny by měla být nejméně 400 mm.

Pračka nesmí být postavena na kobercové podlaze.

Přípevněte pračku upevňovacím materiálem, který je součástí dodávky, v určených upevňovacích bodech na podlaze.

Dodaný upevňovací materiál je koncipován pro upevnění pomocí hmoždinek na betonové podlaze. Při jiném konstrukčním provedení podlahy v místě instalace musí upevňovací materiál zajistit investor.

Elektrické připojení

Elektrické připojení smí provést výhradně kvalifikovaný elektrikář, který je plně odpovědný za dodržení existujících norem a elektroinstalačních předpisů.

► Pračka musí být připojena k elektrické instalaci provedené podle národních a místních předpisů. Kromě toho je nutno respektovat předpisy příslušných dodavatelů energií a pojistitelů, bezpečnostní předpisy a uznávaná pravidla techniky.

► Potřebné přípojné napětí, příkon a specifikace pro externí jištění jsou uvedeny na typovém štítku pračky. Než budete pračku připojovat k elektrické síti, přesvědčte se, že napěťové hodnoty elektrické sítě souhlasí s napěťovými údaji na typovém štítku!

Při připojení k přípojnému napětí lišícímu se od typového štítku může dojít k poruchám funkce nebo k závadě pračky!

Pokud je na typovém štítku uvedeno několik hodnot napětí, tak servisní služba Miele může pračku přepnout pro připojení na příslušné hodnoty napětí.

► Napětí smí přepnout výhradně servisní služba Miele nebo pověřená specializovaná prodejna. Přitom je nutné respektovat návod na změnu zapojení uvedený ve schématu zapojení.

Pračku je možné elektricky připojit buď pevně, nebo přes zásuvku podle IEC 60309-1. Pro pevné připojení musí být v místě instalace nainstalované odpojovací zařízení odpojující všechny póly sítě.

Za odpojovací zařízení sítě se považují vypínače se vzdáleností rozpojených kontaktů větší než 3 mm. Patří k nim např. proudové chrániče, jističe a stykače (IEC/EN 60947).

Odpojovací zařízení sítě (včetně zástrčky) je nutno zajistit proti neúmyslnému a neautorizovanému opětovnému zapnutí, jestliže nelze z každého přístupového místa kontrolovat trvalé přerušení přívodu energie.

Tip: Přednostně nechte pračku připojit na zástrčku, aby bylo snadněji možné provádět zkoušky elektrické bezpečnosti (např. při údržbě).

► Jestliže je podle místních předpisů nutné nainstalovat proudový chránič FI (RCD), musí být povinně použit chránič typu B (citlivý na všechny proudy).

Stávající proudový chránič (RCD) typu A musí být nahrazen RCD typu B.

Je vždy nutné spojem s dobrým kontaktem vytvořit vyrovnání potenciálů, které odpovídá také národním instalačním předpisům.

Příslušenství potřebné pro vyrovnání potenciálů není součástí dodávky.

Připojení vody

Upozornění pro Švýcarsko

Podle normy SIA 385.351/EN 1717 a doporučení SVGW má být ve-
stavěn zpětný ventil. Zpětný ventil odpovídající normám obdržíte
u svého instalatéra sanitární techniky.

Pozor v Rakousku

Pro spojovací potrubí místa připojení na přístroji s vnitřním zařízením
je nutno použít pouze trubky uvedené v §12, odst.1 Nařízení k provádění
zákona o zásobování vodou 1960.

Použití gumových a plastových hadic jako tlakového spojovacího po-
trubí mezi vnitřním zařízením a přístrojem je dovoleno jen tehdy, když:

- včetně napojených připojovacích armatur vydrží minimální trvalý tlak 1500 kPa (15 bar),
- jsou pod dostatečným dozorem během uvádění přístroje do provozu a
- jsou vždy po použití přístroje spolehlivě uvedeny mimo provoz zablokováním přívodu vody před gumovou nebo plastovou hadicí nebo vůbec odpojeny od vnitřního zařízení.

Přípojka studené vody

Pro připojení studené vody je vždy nutný 1 vodovodní kohoutek
s vnějším závitem $\frac{3}{4}$ ".

Přívodní hadice studené vody (modré proužky) není vhodná pro
připojení teplé vody.

Přípojka teplé vody

Pro zachování co nejmenší spotřeby energie během provozu s teplou
vodou by pračka měla být připojena na okružní potrubí teplé vody.
Takzvaná „paprsková potrubí“ (jednotlivá potrubí k výrobníku teplé
vody) vedou při nestálém používání k ochlazení vody nacházející se
v potrubí. Na zahřátí pracího roztoku by se pak muselo použít více
elektrické energie.

Na připojení teplé vody použijte dodanou přívodní hadici (červené
proužky).

Teplota natékající teplé vody smí být maximálně 70 °C.

Pokud není k dispozici potrubí teplé vody, musí být přívodní hadice pro
teplou vodu připojena rovněž k napájení studenou vodou. V tomto pří-
padě je nutný Y kus navíc. Spotřeba studené vody pračky se přitom
zvýší o původně potřebné množství teplé vody.

Z funkčních a technologických důvodů není možný provoz výhradně
s teplou vodou.

Pračka musí být připojena na přívod studené vody, i když je k dispo-
zici přípojka teplé vody.

cs - Pokyny k instalaci

Přípojka tvrdé vody

Přípojka pro tvrdou nebo silně vápenatou vodu. Pro připojení tvrdé vody platí stejné připojovací podmínky jako pro připojení studené vody. Pokud v místě instalace není přípojka tvrdé vody, musí být hadice připojena k přípojce studené vody.

Vypouštěcí ventil

U praček s vypouštěcím ventilem se vypouštění prací lázně provádí ventilem, který je poháněn motorem. Vypouštěcí ventil lze připojit přes běžné úhlové hrdlo HT DN 70 přímo na systém odpadní vody (bez sifonu) nebo na podlahový odvod vody (podlahovou výpust s pachovým uzávěrem).

Díky optimalizovanému uzavíracímu mechanismu a zvětšenému vypouštěcímu průřezu téměř nemůže docházet k vytváření usazenin a ucpávání ani při hrubých nečistotách. Aby bylo možné vyprázdnit prací vanu i při výpadku napětí, je vypouštěcí ventil pro tento výjimečný případ vybavený manuálním ovládacím zařízením.

Pro nerušené vypouštění je nutná odvětraná instalace potrubí. Pokud je připojeno několik přístrojů k jednomu sběrnému potrubí, musí mít sběrné potrubí pro současný provoz všech přístrojů průřez odpovídající velikosti. K odvětrání trubky HT DN 70 můžete prostřednictvím servisní služby Miele nebo specializovaného obchodu Miele zakoupit vhodnou montážní sadu Miele č. m. 05 238 090. Při příliš velkém spádu odtoku je třeba pamatovat na odvětrání trubek, aby v odtokovém systému pračky nemohlo vznikat vakuum.

Při zpožděních odtoku vody nebo při zpětném vzduť v pracím bubnu (kvůli příliš malému průřezu potrubí) se mohou vyskytovat poruchy provádění programu, které vedou k chybovým hlášením v přístroji.

⚠ Odtékající prací lázeň může mít teplotu až 95 °C. Hrozí nebezpečí popálení!
Vyhněte se přímým dotykům.

Jen pro Německo

Pro ochranu pitné vody musí být namontovaný zpětný ventil mezi vodovodním kohoutkem a přípojkou vody pračky. Při odborně provedené domovní instalaci jsou k tomu určené přípojky (např. nárožní ventil) tímto bezpečnostním zařízením již vybavené. Zajistěte, aby byl ve Vaší domovní instalaci zpětný ventil.

Při použití zvláštního zpětného ventilu dbejte na následující pořadí:

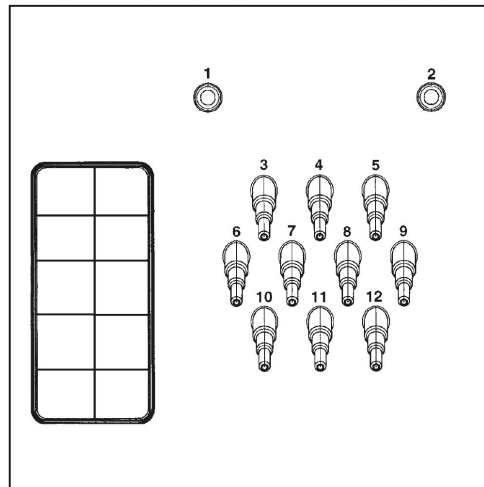
1. Připevněte zpětný ventil k přípojce vody.
2. Připevněte přívodní hadici vody ke zpětnému ventilu.

⚠ Ohrožení zdraví a škody vinou znečištěné přitékající vody. Kvalita přitékající vody musí odpovídat specifikaci pitné vody země, v níž se pračka provozuje. Pračku připojte vždy na pitnou vodu.

⚠ Šroubovací objímky jsou pod tlakem vodního potrubí. Pomalým otvíráním vodovodních kohoutků zkontrolujte, zda jsou přípoje utěsněné. Případně opravte usazení těsnění a šroubovací objímku.

Připojení dávkovacích čerpadel

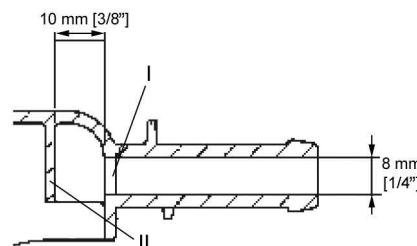
K pračce lze připojit až 12 dávkovacích čerpadel.



Připojky dávkovacích čerpadel na zadní straně přístroje

Připojky **1** a **2** jsou určeny pro dávkování gelových prostředků a lze je použít také pro vysokotlaká dávkovací zařízení s přívodem vody. Dávkovací zařízení musí být vybavená zvláštním zařízením pro ochranu pitné vody podle EN 61770 a EN 1717. Maximální průtok je 1500 ml/min při maximálním průtočném tlaku 300 kPa.

Tato připojovací hrdla jsou uzavřená a před připojením musí být provrtána vrtákem o průměru 8 mm.



Uvědomte si, že smí být provrtána jen první stěna (I), protože již 10 mm za první stěnou se nachází nárazníková stěna (II).

Připojky **3** až **12** jsou určeny pro tekuté prací prostředky. K těmto přípojkám se nesmí připojovat vysokotlaká dávkovací zařízení s přívodem vody. Připojovací hrdla jsou uzavřená a před připojením musí být malou pilkou odřezána až na průměr hadice.

Až už otevřená hrdla nebudou využívána, musí být opět uzavřena vhodným utěšňovacím materiálem (např. silikonem).

Připojovací svorky pro pět časově řízených dávkovacích čerpadel, která mohou být provozována bez multifunkčního modulu, jsou umístěné za krytem vedle elektrického přípoje.

U praček, které jsou vybavené volitelným multifunkčním modulem, se kalibrace dávkovacích čerpadel a regulace dávkovaných množství provádí poloautomaticky. Pokyny k nastavením najdete v návodu k obsluze.

Pro přesné zjišťování dávkovaného množství lze alternativně připojit také průtokoměr příp. snímače průtoku.

Pro každý používaný dávkovaný prostředek jsou k dispozici přípojky pro kontrolu prázdného stavu.

Zvláštní vybavení/příslušenství k dokoupení

Součásti příslušenství se smí namontovat a vestavět jen tehdy, když jsou výslovně schválené společností Miele.

Pokud budou namontovány nebo vestavěny jiné díly, zaniká jakákoli záruka a/nebo ručení poskytované společností Miele.

Sada pro inkasní přístroj (BSK)

Prostřednictvím volitelné sady pro inkasní přístroj (BSK) lze pračku vybavit inkasním systémem (např. pro provoz v samoobslužných prádelnách). K tomu musí servisní služba Miele naprogramovat elektroniku pračky a připojit inkasní automat. Jako příslušenství Miele k dokoupení jsou pro individuální cílové skupiny na výběr inkasní automaty s mechanickými nebo elektronickými kontrolními zařízeními mincí.

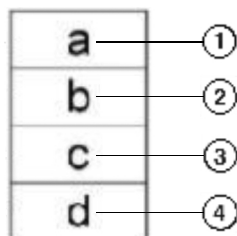
Programování nutné pro připojení smí provádět pouze servisní služba Miele nebo specializovaný obchod Miele. Pro připojení inkasního automatu není nutné externí napájecí napětí.

Sada pro vypnutí při špičce (BSS)

Prostřednictvím volitelné montážní sady pro vypnutí při špičce (BSS) lze pračku připojit k systému řízení energie.

Vypnutí při špičce sleduje spotřebu energie objektu, aby cíleně krátkodobě deaktivovalo jednotlivé elektrické části a tím zabránilo překročení meze zatížení. Sledování provádí externí řídicí jednotka.

Montážní sada poskytuje na svorkovnici tři signálové kontakty a jeden neutrální vodič. Tato svorkovnice má označení „a“, „b“, „c“ a „d“:



- ① výstupní signál, spuštění provozu přístrojů
- ② výstupní signál, požadavek topení přístrojů
- ③ vstupní signál vypnutí při špičce, přístroj spíná topení
- ④ neutrální vodič

Při aktivaci funkce vypnutí při špičce se zastaví probíhající program a na displeji pračky se zobrazí hlášení. Po skončení funkce vypnutí při špičce program opět automaticky pokračuje.

Komunikační modul XKM RS232

Přes komunikační modul XKM RS 232, který je k dispozici jako zvláštní vybavení, lze pračku dovybavit sériovým datovým rozhraním RS-232. Tento komunikační modul je určen jen pro použití v přístrojích Miele Professional, které jsou vybavené příslušnou šachtou pro moduly.

Datové rozhraní poskytnuté komunikačním modulem XKM RS232 odpovídá SELV (bezpečné malé napětí) podle EN 60950. K datovému rozhraní se smí připojovat jen přístroje, které také odpovídají SELV.

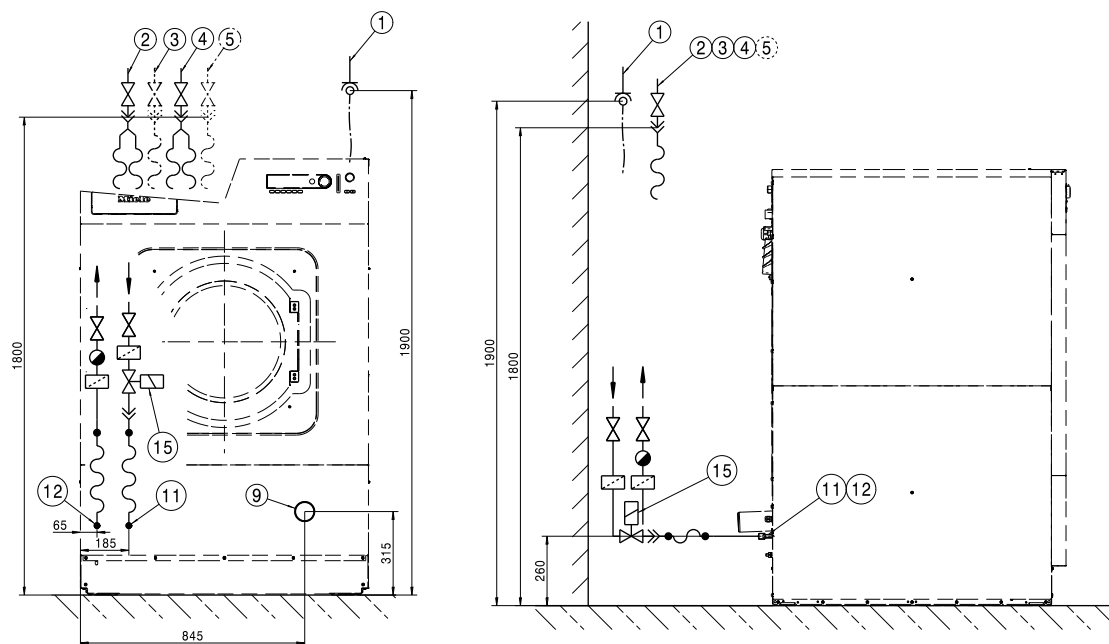
Komunikační modul XKM RS232 se dodává spolu s propojovacím kabelem a konektorem D-Sub.

**Sada pro odvádění
par a pěny
(APWM 063)**

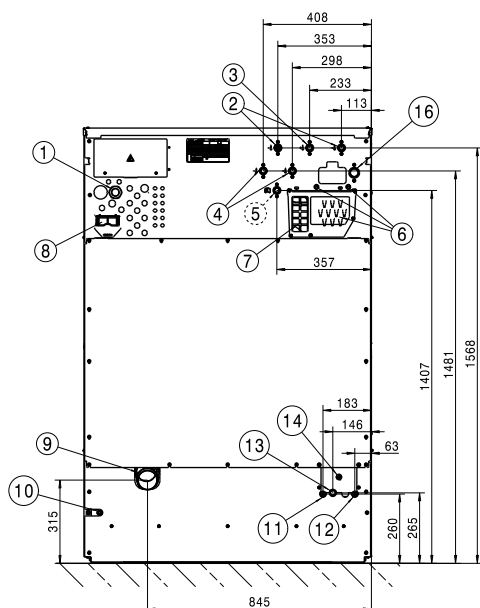
Při intenzivnější tvorbě pěny může pěna vystupovat z odtahu výparů. Pro odvádění pěny je možné použít volitelnou montážní sadu pro odvádění výparů a pěny.

cs - Instalace

Instalace (nepřímý parní ohřev)

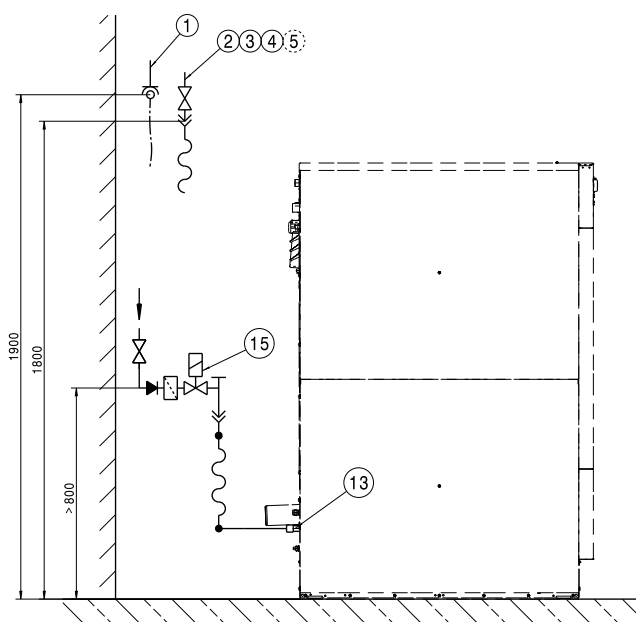
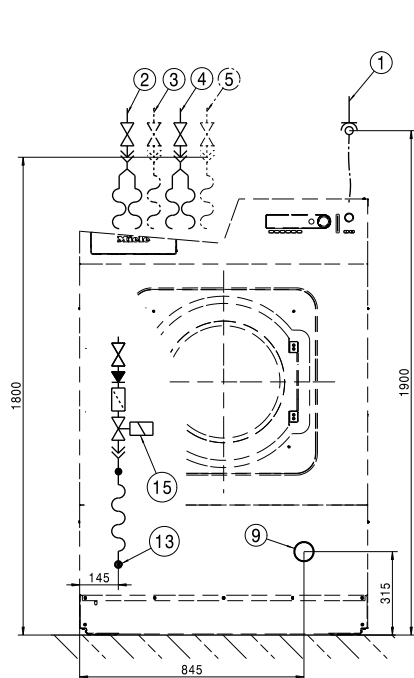


- ① elektrická přípojka
- ② přípojka studené vody
- ③ přípojka teplé vody
- ④ přípojka studené vody (alternativně přípojka tvrdé vody)
- ⑤ přípojka studené vody pro dávkování tekutých prostředků (volitelně)
- ⑥ přípojky dávkovacích čerpadel
- ⑦ přepad
- ⑧ komunikační přípojka
- ⑨ vypouštěcí trubka
- ⑩ přípoj pro vyrovnání potenciálů
- ⑪ přípojka SI, přívod (pára nepřímo), jen SI
- ⑫ přípojka SI, vypouštění (pára nepřímo), jen SD
- ⑬ přípojka SD (pára nepřímo), jen SD
- ⑭ přípojka ventilu pro páru, jen SI/SD
- ⑮ ventil pro páru, jen SI/SD



- | | |
|---|--|
| ① elektrická přípojka | ⑨ vypouštěcí trubka |
| ② přípojka studené vody | ⑩ přípoj pro vyrovnání potenciálů |
| ③ přípojka teplé vody | ⑪ přípojka SI, přívod (pára nepřímá), jen SI |
| ④ přípojka studené vody (alternativně přípojka tvrdé vody) | ⑫ přípojka SI, vypouštění (pára nepřímá), jen SI |
| ⑤ přípojka studené vody pro dávkování tekutých prostředků (volitelně) | ⑬ přípojka SD (pára nepřímá), jen SD |
| ⑥ přípojky dávkovacích čerpadel | ⑭ přípojka ventilu pro páru, jen SI/SD |
| ⑦ přepad | ⑮ ventil pro páru, jen SI/SD |
| ⑧ komunikační přípojka | ⑯ přípojka pro rekuperaci vody (volitelně) |

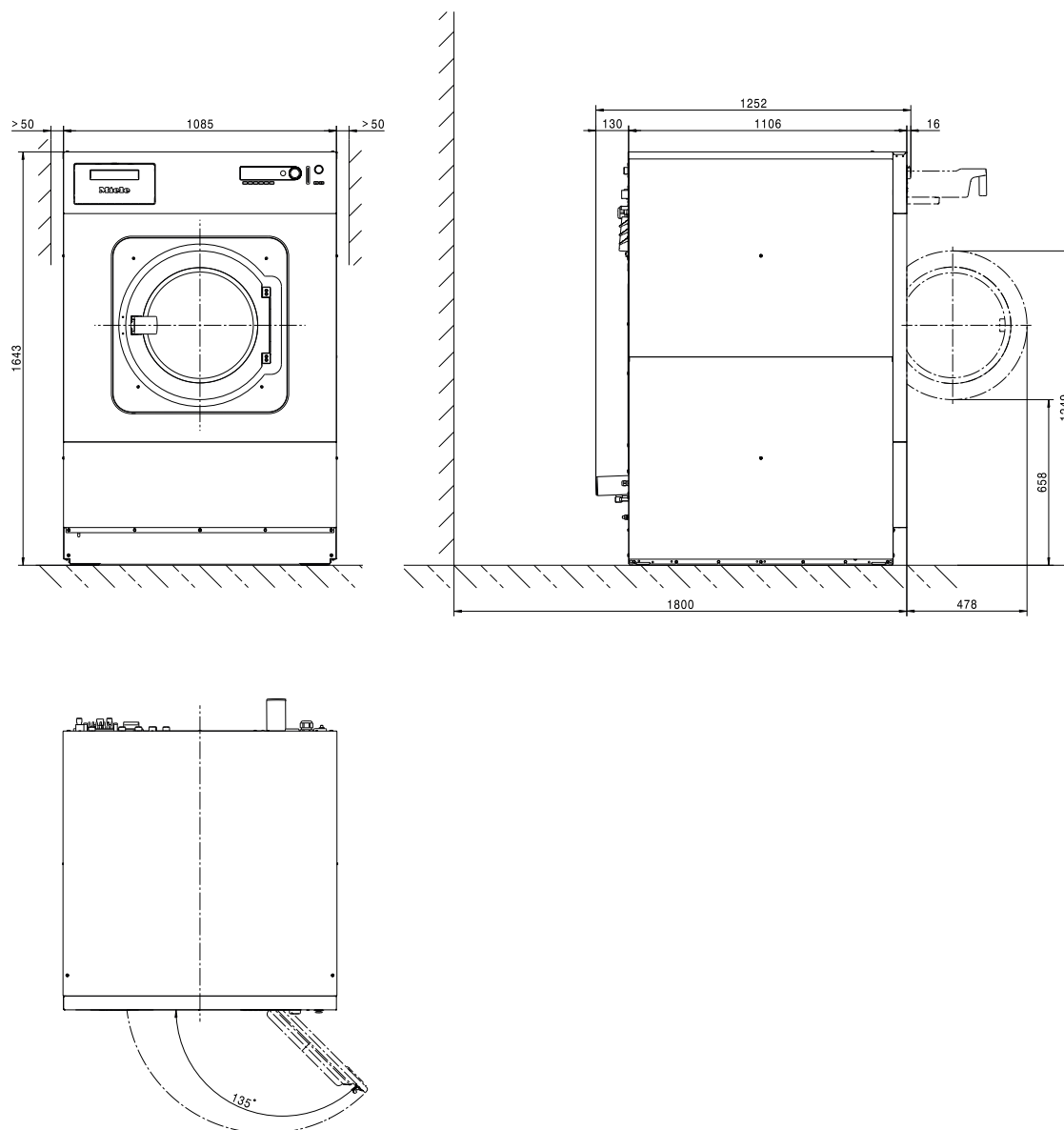
Instalace (přímý parní ohřev)



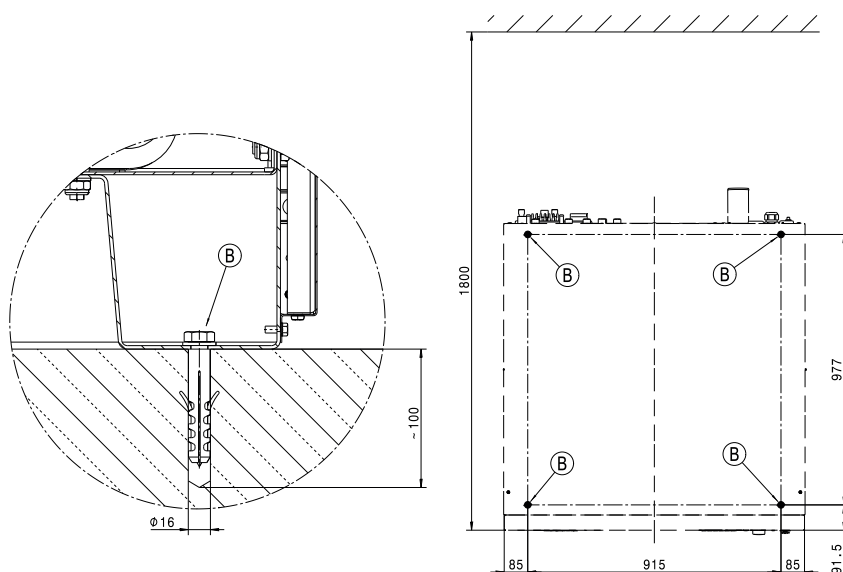
- ① elektrická přípojka
- ② přípojka studené vody
- ③ přípojka teplé vody
- ④ přípojka studené vody (alternativně přípojka tvrdé vody)
- ⑤ přípojka studené vody pro dávkování tekutých prostředků (volitelně)
- ⑥ přípojky dávkovacích čerpadel
- ⑦ přepad
- ⑧ komunikační přípojka
- ⑨ vypouštěcí trubka
- ⑩ přípoj pro vyrovnání potenciálů
- ⑪ přípojka SI, přívod (pára nepřímá), jen SI
- ⑫ přípojka SI, vypouštění (pára nepřímá), jen SD
- ⑬ přípojka SD (pára nepřímá), jen SD
- ⑭ přípojka ventilu pro páru, jen SI/SD
- ⑮ ventil pro páru, jen SI/SD

cs - Umístění

Rozměry



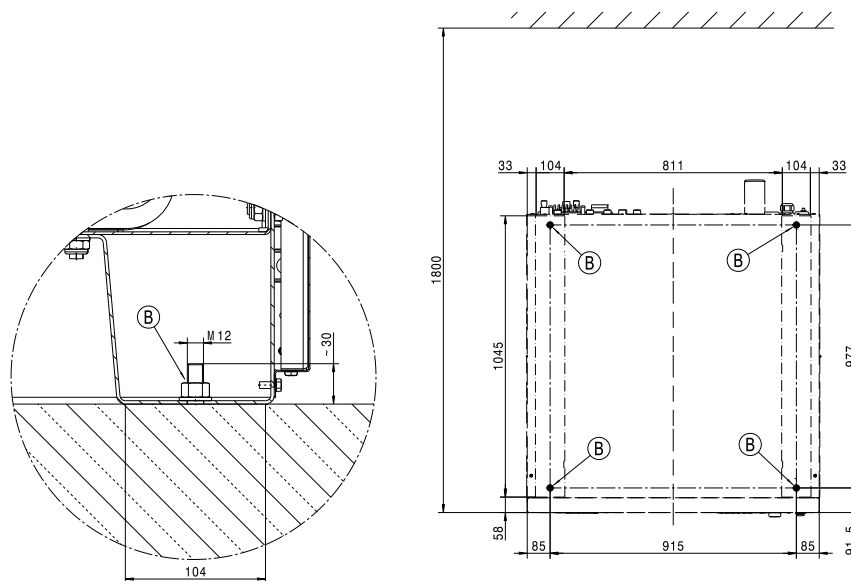
Standardní upevnění na podlaze



Rozměry v milimetrech

Ⓑ šroub/bod upevnění

Upevnění na podlaze SOM



Rozměry v milimetrech

Ⓑ šroub/bod upevnění

Varianty napětí a elektrické údaje

	<i>Standard:</i>	<i>Lze přepnout na:</i>
napájecí napětí	3N AC 380-415V	3N AC 380-415V
frekvence	50 Hz	60 Hz
příkon	6,1 kW	6,1 kW
jištění (v místě instalace)	3 x 16 A	3 x 16 A
minimální průřez přívodního kabelu	4 x 1,5 mm ²	4 x 1,5 mm ²
šroubení kabelu	M16 x 1,5 mm	M16 x 1,5 mm
napájecí napětí		3 AC 400V
frekvence		60 Hz
příkon		6,1 kW
jištění (v místě instalace)		3 x 16 A
minimální průřez přívodního kabelu		4 x 1,5 mm ²
šroubení kabelu		M16 x 1,5 mm

Miele doporučuje připojit přístroj přes všepólově odpojitelnou, uzamykatelnou nástěnnou zásuvku podle IEC 60309 a IEC 60947, aby bylo možné snadno provádět zkoušky elektrické bezpečnosti.

Při pevném připojení musí být nainstalováno odpojovací zařízení sítě podle IEC 60947.

Nástěnná zásuvka nebo odpojovací zařízení sítě musí po instalaci přístroje zůstat stále přístupné.

Pro zvýšení bezpečnosti doporučuje Miele předřadit přístroji proudový chránič FI (RCD). Používejte výhradně proudové chrániče FI citlivé na všechny proudy (typ B).

přípoj pro vyrovnání potenciálů

hrdlo s vnějším závitem na přístroji	10 mm x 30 mm (3/8" x 1 3/16")
velikost podložky a matice	M 10

Je vždy nutné spojem s dobrým kontaktem vytvořit vyrovnání potenciálů, které odpovídá také národním instalačním předpisům.

Připojení na páru

Nepřímý parní ohřev

přetlak páry	400–1 000 kPa
bod varu	152–184 °C
topný výkon (instalovaný výkon)	50 kW
hmotnostní tok (instalovaný výkon)	84 kg/h
připojovací závit (v místě instalace)	vnitřní závit 1/2"

Magnetický ventil pro páru, filtr nečistot a uzavírací ventil páry musí být namontovány v místě instalace. Dbejte instalačního návodu pro přístroje s parním ohřevem.

Přímý parní ohřev

přetlak páry (vysoký tlak)	≤ 400 kPa
bod varu (vysoký tlak)	≤ 152 °C
topný výkon (instalovaný výkon, vysoký tlak)	86 kW
hmotnostní tok (instalovaný výkon, vysoký tlak)	140 kg/h
přetlak páry (nízký tlak)	≤ 50 kPa
bod varu (nízký tlak)	≤ 120 °C
topný výkon (instalovaný výkon, nízký tlak)	29 kW
topný výkon (instalovaný výkon, nízký tlak)	45 kg/h
připojovací závit (v místě instalace)	vnitřní závit 3/4"

Magnetický ventil pro páru, filtr nečistot a uzavírací ventil páry musí být namontovány v místě instalace. Dbejte instalačního návodu pro přístroje s parním ohřevem.

Přípojky vody

Přípojka studené vody

potřebný průtočný tlak	100–1000 kPa (1–10 bar)
max. průtok (při nepřítomnosti napájení teplou a tvrdou vodou)	74 (79,5*) l/min
max. průtok	26 (31,5*) l/min
potřebný připojovací závit (vnější závit, v místě instalace dle DIN 44991, s plochým těsněním)	3/4"
délka dodané přívodní hadice	2 (3*) x 1550 mm
*s dávkováním tekutých prostředků	

Přípojka teplé vody

max. přípustná teplota teplé vody	70 °C
potřebný průtočný tlak	100–1000 kPa (1–10 bar)
max. průtok	16 l/min
potřebný připojovací závit (vnější závit, v místě instalace dle DIN 44991, s plochým těsněním)	3/4"
délka dodané přívodní hadice	1 x 1550 mm

Přípojka tvrdé vody

potřebný průtočný tlak	100–1000 kPa (1–10 bar)
max. průtok	32 l/min
potřebný připojovací závit (vnější závit, v místě instalace dle DIN 44991, s plochým těsněním)	3/4"
délka dodané přívodní hadice	2 x 1550 mm

Připojení kondenzátu (jen při nepřímém parním ohřevu)

připojovací závit přípojky kondenzátu (v místě instalace)	vnitřní závit 1/2"
---	--------------------

Odlučovač kondenzátu, filtr nečistot a uzavírací ventil páry musí být namontovány v místě instalace.

Odpadní voda (vypouštěcí ventil)

max. teplota odpadní vody	95 °C
přípojka odpadní vody na přístroji (vnější průměr)	HT DN 70
odtok v místě instalace (vnitřní průměr)	75 x 1,9 x 110 mm (Muffe DN 70)
max. průtok	200 l/min

Pro odpadní vodu je potřebné odvětrané sběrné potrubí. Pokud je připojeno několik přístrojů k jednomu sběrnému potrubí, musí být sběrné potrubí odpovídajícím způsobem dostatečně dimenzované.

Průměrná spotřeba vody pro standardní program (barevné prádlo 60 °C)

Studená voda – měkká	59 l/h
při nepřítomnosti přípojky tvrdé vody	127 l/h
Teplá voda – měkká	121 l/h
Studená voda – tvrdá	68 l/h

Upevnění

Upevňovací materiál

4x vrut DIN 571 (Ø x délka)	12 mm x 90 mm
4x hmoždinka (Ø x délka)	16 mm x 80 mm

Je bezpodmínečně nutné upevnění přístroje.

Upevňovací materiál pro plovoucí podlahu musí být zajištěn v místě instalace.

cs - Technické údaje

Emise přístroje

průměrný odvod tepla do prostoru instalace	4,7 MJ/h
emisní hladina akustického tlaku na pracovišti	78 dB(A) re 20 µPa
hladina akustického výkonu, praní	60,3 dB (A) re 1 pW
hladina akustického výkonu, odstředování	82,2 dB (A) re 1 pW

Údaje o přístroji

šířka přístroje	1085 mm
výška přístroje	1643 mm
hloubka přístroje	1106 mm
celková šířka přístroje	1089 mm
celková výška přístroje	1646 mm
celková hloubka přístroje	1252 mm
šířka otvoru pro přepravu (světla šířka)	1185 mm
doporučená vzdálenost od stěny (po přední hranu přístroje)	1800 mm
hmotnost netto	640 kg
max. zatížení podlahy za provozu	8417 N
max. statické zatížení	7063 N
max. dynamické zatížení	1353 N
max. frekvence otáčení bubnu	18,3 Hz






Instalace směřují provádět jen instalatéri s koncesí podle příslušných platných předpisů, zákonných podkladů, bezpečnostních předpisů a platných norem.

Přepravní údaje

šířka obalu	1260 mm
výška obalu	1710 mm
hloubka obalu	1470 mm
hmotnost brutto	691 kg

Telepítési útmutató	38
A biztonsági utasítások és a készüléken elhelyezett figyelmeztetések magyarázata	38
Telepítési feltételek	38
Általános üzemeltetési feltételek	38
Felállítás	38
Villamos csatlakozás	39
Vízcsatlakozás	40
Svájcra vonatkozó tudnivaló	40
Ausztriára vonatkozó szabályok	40
Hidegvíz-csatlakozás.....	40
Melegvíz-csatlakozás	40
Keményvízes csatlakozás	41
Leeresztőszelep	41
Adagoló szivattyú csatlakozásai	42
Opciók/utólag vásárolható tartozékok	43
Szerelő készlet érmebedobó készülékhez (BSK)	43
Túlterhelés-védelmi készlet (BSS)	43
XKM RS232-es kommunikációs modul	44
Pára- és habelvezetés szerelőkészlet (APWM 063).....	44
Beszereles	45
Beszereles (közvetlen gőzfűtés)	45
Beszereles (közvetett gőzfűtés)	47
Installálás	49
Méretek.....	49
Standard rögzítés a padlón	50
Rögzítés a padlón SOM.....	50
Műszaki adatok	51
Feszültségváltozatok és villamos adatok	51
A potenciálkiegyenlítés csatlakozója.....	51
Gőzcsatlakozás	51
Vízcsatlakozások.....	52
Hidegvíz-csatlakozás.....	52
Melegvíz-csatlakozás	52
Keményvízes csatlakozás	52
Kondenzvíz csatlakozás (csak közvetlen gőzfűtés esetén)	52
Szennyvíz (leeresztőszelep)	52
Átlagos vízfogyasztás egy standard programhoz (60°-os színes mosás)	52
Rögzítés	52
Rögzítőanyagok	52
Készülékemissziók.....	53
Készülékadatok	53
Szállítási adatok	53

A biztonsági utasítások és a készüléken elhelyezett figyelmeztetések magyarázata

	Olvassa el ezt a Használati útmutatót
	Vigyázat, forró felületek
	Vigyázat, akár 1000 Volt feszültség
	Védőföld
	Potenciálkiegyenlítés

Telepítési feltételek

A mosógépet csak a Miele vevőszolgálat, vagy egy arra feljogosított szakkereskedő betanított személyzete telepítheti.

- ▶ A mosógép telepítése csak az érvényes szabályok és szabványok szerint történhet. Ezen felül a helyi energiaszolgáltató és vízmű előírásait is figyelembe kell venni.
- ▶ Csak kielégítően szellőztetett és fagyásveszélynek ki nem tett helyiségekben üzemeltesse a mosógépet.

A mosógép nem alkalmas robbanásveszélyes területen való alkalmazásra.

Általános üzemeltetési feltételek

Ezt a mosógépet kizárólag ipari alkalmazásra tervezték és csak beltérben üzemeltethető.

- Környezeti hőmérséklet: 0-40 °C
- Relatív páratartalom: nem kondenzálódó
- Maximális tengerszint feletti telepítési magasság: 2000 m

A felállítási hely kialakításától függően felléphet a hang ill. a rezgés átvittele.

Tanács: Szigorúbb zajvédelmi követelmények esetén kérje ki szakember véleményét a készülék felállítási helyének zajvédelméről.

Felállítás

Szállítsa a mosógépet egy emelőkocsival a felállítási helyre és távolítsa el a szállítási csomagolást.

A mosógépet teljesen sík és vízszintes felületen kell felállítani, ami legalább a megadott talajterhelésnek ellenáll (lásd a „Műszaki adatok” fejezetet).

Tanács: Felállítási felületként a leginkább egy beton padlózat alkalmas. Ez a készülék centrifugálásnál a fagerenda-padlózattal vagy más „puha” tulajdonságú padlózattal ellentétben csak ritkán jön rezgésbe.

A mosógép általi padlóterhelés felületi terhelésként hat a talpazat területén a felállítási felületre.

A készülék üzem közbeni dinamikus mozgásai miatt a mosógép legalább 50 mm-es oldalsó távolságot igényel. A hátoldali fal és a készülék hátlapja között legalább 400 mm távolságot kell biztosítani.

A mosógép nem állítható fel szőnyegpadlón.

Rögzítse a mosógépet a szállítási tartozékként mellékelt rögzítőanyaggal a négy erre a célra szolgáló rögzítési ponton keresztül.

A mellékelt rögzítőanyagok a betonpadlóban való tiplis rögzítésre vannak kialakítva. Ha a felállítási helyen más padlószerkezet van, a rögzítőanyagokat kivitelezéskor kell biztosítani.

Villamos csatlakozás

A villamos csatlakozást kizárólag képzett villamos szakember végezheti, aki az érvényes szabványok és villanszerelési előírások betartásáért felelős.

► A mosógépet olyan villamos hálózatra kell csatlakoztatni, ami a nemzeti és a helyi előírások szerint lett kivitelezve. Ezen felül az illetékes energiaszolgáltató vállalatok és biztosítók előírásait, a balesetvédelmi előírásokat, valamint a technika elismert szabályait figyelembe kell venni.

► A szükséges hálózati feszültség, a teljesítményfelvétel és a külső biztosítókra vonatkozó előírás a mosógép adattábláján található. Győződjön meg róla, hogy a villamos hálózat feszültségértékei az adattáblán lévő feszültség előírásokkal megegyeznek-e, mielőtt a mosógépet a villamos hálózatra csatlakoztatná.

Az adattáblától eltérő csatlakozási feszültségre való csatlakoztatás a mosógép működési zavarait, vagy meghibásodását okozhatja!

Ha az adattáblán több feszültségérték van bejegyezve, akkor a mosógépet a megfelelő feszültségértékre való csatlakoztatáshoz a Miele vevőszolgálat átkapcsolhatja.

► A feszültség-átkapcsolást kizárólag a Miele vevőszolgálat, vagy a feljogosított szakkereskedés végezheti. Ez esetben a kapcsolási rajz áthuzalozási utasításait figyelembe kell venni.

A mosógépet vagy fix bekötéssel, vagy az IEC 60309-1 szerinti dugós csatlakozón keresztül lehet csatlakoztatni. Fix bekötéshez a felállítási helyen egy minden pólusú hálózati megszakítót kell telepíteni.

Hálózatleválasztó berendezésnek több, mint 3 mm-es érintkező nyitászú kapcsolók számítanak. Ide tartoznak pl. a kismegszakítók, biztosítók és mágneskapcsolók (IEC/EN 60947).

A hálózatleválasztó berendezést (beleértve a dugós csatlakozót) akaratlan és jogosulatlan visszakapcsolás ellen biztosítani kell, ha az állandó megszakítás nem minden elérési helyről felügyelhető.

Tanács: A mosógép csatlakoztatásánál részesítse előnyben a dugós csatlakozást, hogy a villamos biztonsági ellenőrzéseket egyszerűbben lehessen elvégezni (pl. karbantartás közben).

► Amennyiben a helyi előírások szerint hibaáram-védőkapcsolót (RCD) kell beszerezni, akkor kötelezően B típusú hibaáram-védőkapcsolót (minden áramra érzékeny) kell használni.

A meglévő A típusú hibaáram-védőkapcsolót (RCD) B típusú RCD-re kell kicserélni.

Mindig jó érintkezésű potenciálkiegyenlítést kell kialakítani, amely megfelel a nemzeti telepítési előírásoknak.

A potenciálkiegyenlítéshez szükséges tartozékok nem képezik a szállítás részét.

Vízcsatlakozás

Svájcra vonatkozó tudnivaló

A SIA 385.351/EN 1717 szabvány, valamint az SVGW javaslat szerint be kell építeni egy visszafolyást megakadályozó elemet. A szabványnak megfelelő visszafolyást megakadályozó elemet a vízvezeték szerelőtől szerezheti be.

Ausztóriára vonatkozó szabályok

A csatlakozási hely összekötő vezetéke számára a készüléktől a belső berendezésig csak az 1960-as Vízellátási törvény Végrehajtási rendelete 12. §, 1. bekezdésében felsorolt csöveket szabad használni.

A gumi és műanyag tömlők nyomás alatti összekötő vezetékként való használata a készülék és a belső berendezés között csak akkor engedélyezett, ha azok:

- a beépített csatlakozó szerelvényekkel együtt 1500 kPa (15 bar) minimális tartós nyomásnak ellenállnak,
- a készülék üzembe helyezése során kellően megvizsgálták őket és
- a készülék mindenkori használatát követően a gumi, vagy műanyag tömlő előtt megbízhatóan üzemben kívül helyezésre, vagy a belső berendezéstől leválasztásra kerül.

Hidegvíz-csatlakozás

A hidegvíz-csatlakozáshoz minden esetben szükség van egy $\frac{3}{4}$ "-os külső menetes vízcsapra.

A hideg víz vízbevezető tömlője (kék csík) nem alkalmas a melegvíz-bekötésre.

Melegvíz-csatlakozás

A melegvízes üzem energiafogyasztásának lehető legkisebb szinten tartásához a mosógépet egy melegvíz-körvezetékre kellene csatlakoztatni.

Az ún. „leágazó vezetékek“ (a melegvíz-termelő egyedi vezetékei) nem folyamatos használat esetén a vezetékben lévő víz lehűléséhez vezetnek. A mosóvíz felmelegítéséhez ekkor több villamos energiát kellene használni.

A melegvíz-csatlakoztatásra a mellékelt vízbevezető tömlőt használja (piros csík).

A betáp melegvíz hőmérséklete legfeljebb 70 °C lehet.

Amennyiben nincs melegvízvezeték, a melegvíz vízbevezető tömlőjét is a hidegvízellátásra kell csatlakoztatni. Ebben az esetben egy további Y-idomra van szükség. A mosógép hidegvíz-felhasználása ekkor az eredetileg szükséges melegvíz mennyiségével nő.

Funkcionális és eljárás-technikai okokból a kizárólag melegvizes üzem nem lehetséges.

A mosógépet meglévő melegvizes csatlakozás esetén is csatlakoztatni kell egy hidegvizes tápvezetékre.

Keményvizes csatlakozás

Csatlakozás kemény vagy erősen vízköves vízhez. A keményvizes csatlakozásra ugyanazok a bekötési feltételek vonatkoznak, mint a hidegvíz-csatlakozásra.

Ha a helyszínen nem áll rendelkezésre keményvizes csatlakozás, akkor a tömlőt a hideg-csatlakozásra kell csatlakoztatni.

Leeresztőszelep

A leeresztőszeleppel ellátott mosógép esetén a mosóvíz lefolyása egy motoros meghajtású szelepen keresztül történik. A leeresztőszelepet egy kereskedelemben kapható HT DN 70 könyökcsonkon keresztül közvetlenül (szifon nélkül) lehet a szennyvízrendszerre, vagy egy talajvíztelenítőre (víznyelő akna szagelzáróval) csatlakoztatni.

Az optimalizált záró mechanizmus és egy megnövelt lefolyó-keresztmetszet révén durva szennyeződés esetén is alig tudnak lerakódások, eldugulások képződni. Ahhoz, hogy a mosóvíztartály feszültség-kimaradás esetén is leüríthető legyen, a leeresztőszelep el van látva egy kézi működtető berendezéssel a kivételes esetre.


A zavartalan lefolyáshoz levegőztetett vezetékre van szükség.

Amennyiben több készülék egy gyűjtővezetékre van csatlakoztatva, a gyűjtővezetéknek valamennyi készülék egyidejű üzemének megfelelő méretű keresztmetszettel kell rendelkezni.

Egy HT DN 70-es cső szellőztetéséhez az odaillő, 05 238 090 anyagszámú Miele szerelőkészletet a Miele vevőszolgálaton, vagy a Miele szakkereskedőkön keresztül lehet beszerezni.

Amennyiben túl magasról folyik le a víz, akkor csőszellőzést kell be-tervezni, hogy a mosógép vízvezető rendszerében ne keletkezzen vákuum.

A vízlefolyásban késedelem, vagy visszatorlódás esetén (túl csekély vezeték-keresztmetszet révén) a programlefutásban is zavarok léphetnek fel, ami a készülékben hibajelzésekhez vezetnek.

 A lefolyó mosóvíz akár 95 °C-os is lehet. Égési sérülés veszélye áll fenn!

Kerülje a közvetlen érintést.

Csak Németországra érvényes

Az ivóvíz védelme érdekében visszaáramlás-gátlót kell beszerezni a víz-csap és a mosógép vízcsatlakozása közé. Szakszerű otthoni beszerelés esetén a mellékelt csatlakozások (pl. sarokszelep) már fel vannak szerelve ezzel a biztonsági berendezéssel. Győződjön meg arról, hogy az otthoni rendszerében van-e visszafolyásgátló.

Különálló visszaáramlásgátló használata esetén tartsa be a következő sorrendet:

1. Rögzítse a visszafolyásgátlót a vízcsatlakozásra.
2. Rögzítse a vízbevezető tömlőt a visszafolyásgátlóra.

⚠ A szennyezett befolyó víz veszélyeztetheti az egészséget, és károkat okozhat.

A befolyó víz minőségének meg kell felelnie az adott ország ivóvíz követelményeinek, ahol a mosógépet üzemeltetik.

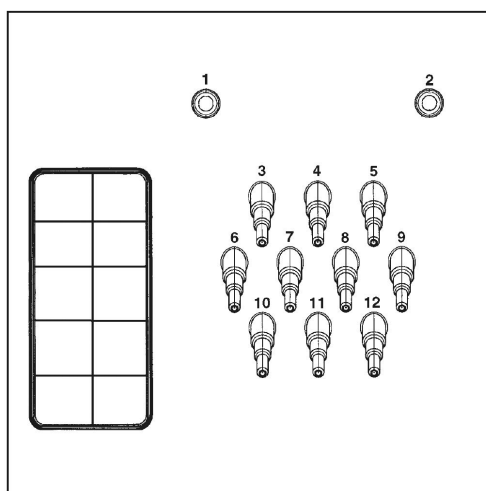
A mosógépet mindig ivóvízhez csatlakoztassa.

⚠ A csavaros kötések hálózati víznyomás alatt állnak.

A vízcsapokat lassan megnyitva ellenőrizze, hogy a csatlakozások tömítve vannak-e. Adott esetben korrigálja a tömítés és a csavarozás illeszkedését.

Adagoló szivattyú csatlakozásai

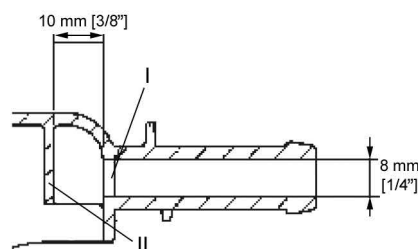
A mosógépre legfeljebb 12 adagoló szivattyú csatlakoztatható.



Adagoló szivattyú csatlakozásai a készülék hátoldalán

Az **1** és **2** a mosókrém-adagolás számára van kialakítva, és vízöblítéses nagynyomású adagolóberendezéshez is használható. Az adagolóberendezést fel kell szerelni az EN 61770 és az EN 1717 szabvány szerinti ivóvízvédelmi berendezéssel. A maximális átfolyási mennyiség 1500 ml/perc legfeljebb 300 kPa hálózati víznyomásnál.

Ezek a csatlakozócsonkok le vannak zárva, és a csatlakoztatás előtt egy 8 mm-es fúróval át kell azokat fúrni.



Vegye figyelembe, hogy csak az első falat (**I**) szabad átfúrni, mivel már 10 mm-rel az első fal mögött van egy visszaverő fal (**II**).

A **3** és **12** csatlakozások folyékony mosószerre vannak tervezve. Ezekre a csatlakozásokra nem szabad nagynyomású vízöblítést igénylő adagolórendszereket kötni. A csatlakozócsonkok le vannak zárva, és a csatlakoztatás előtt egy kis fúrésszel a tömlőátmérőig le kell azokat fúrni.

Ha a nyitott csatlakozócsonkokat már nem használják, akkor azokat megfelelő tömítőanyaggal (pl. szilikon) újra le kell szigetelni.

A multifunkciós modul nélkül nem üzemeltethető öt idővezérelt adagoló szivattyú csatlakozó kapcsai a burkolat alatt, a csatlakozókábel mellett található.

Opcionális multifunkciós modullal felszerelt mosógépeknél az adagoló szivattyúk kalibrálása és az adagolási mennyiségek szabályozása részben automatikusan történik. A beállításokkal kapcsolatos utasításokat a használati útmutatóban találja meg.

Az adagolási mennyiség pontos felmérésére alternatívaként áramlasmérők vagy átfolyásérzékelők is csatlakoztathatók.

Minden beadagolandó szer számára csatlakozások vannak kialakítva, amelyekre ráköthető a töltöttséget figyelő rendszer.

Opciók/utólag vásárolható tartozékok

A tartozékokat csak akkor szabad fel- vagy beszerelni, ha azokat a Miele kifejezetten jóváhagyta.

Amennyiben más alkatrészek kerülnek fel- vagy beszerelésre, akkor a garanciára, jótállásra és/vagy termékfelelősségre vonatkozó ígények érvényüket veszítik.

Szerelő készlet érmebedobó készülékhez (BSK)

Az opcionális érmebedobó készülék szerelőkészlet segítségével szerelhető össze az érmebedobó rendszerrel (pl. önkiszolgáló mosószalonokban való üzemeltetésre). Ehhez a Miele vevőszolgálatnak a mosógép elektronikában programozni kell egy beállítást és csatlakoztatni kell az érmebedobó készüléket. Utólag vásárolható tartozékként a kártyaolvasók, valamint mechanikus vagy elektronikus érmeellenőrzők állnak rendelkezésre az egyedi célcsoportok számára.

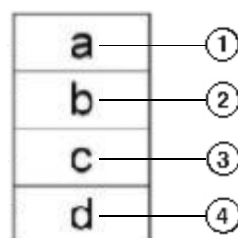
A csatlakoztatáshoz szükséges programozást csak a Miele vevőszolgálat vagy a Miele szakkereskedők végezhetik el. Az érmebedobó készülék csatlakoztatásához nincs szükség külső áramellátásra.

Túlterhelés-védelmi készlet (BSS)

A mosógépet az opcionális csúcsterhelés kizárást szerelőkészlet segítségével lehet csatlakoztatni.

A csúcsterhelés védelem felügyeli az objektum energiafogyasztását, hogy egyes felhasználókat célzottan lekapcsolhassunk és ezzel elkerülhessük egy terhelési határ túllépését. A felügyelet egy külső vezérlés által történik.

Az építőkészleten keresztül három jelérrintkező és egy nullavezető áll egy sorkapcson rendelkezésre. A sorkapcsok „a”-val, „b”-vel, „c”-vel, és „d”-vel vannak jelölve:



- ① A készülékek kimeneti jele, üzemindítása
- ② A készülékek kimeneti jele, fűtésigénylése
- ③ Csúcsterhelés bemeneti jele, a készülékek bekapcsolja a fűtést
- ④ Nulla vezető (N)

A csúcsterhelési funkció aktiválása esetén a futó program leállításra kerül és jelzés kerül a mosógép kijelzőjére. A csúcsterhelés funkció végén a program az eddigiek szerint ismét folytatódik.

XKM RS232-es kommunikációs modul

Az opcionálisan kapható XKM RS 232-es kommunikációs modulon keresztül az RS-232-es adatinterfész utólag a mosógép számára felszerelhető. Ez a kommunikációs modul csak az olyan professzionális Miele készülékekhez használható, amik megfelelő modul rekesszel fel vannak szerelve.

Az XKM RS232 kommunikációs modulon keresztül rendelkezésre bocsájtott adatinterfész megfelel a biztonsági törpefeszültségnek (SELV) az EN 60950 szerint.

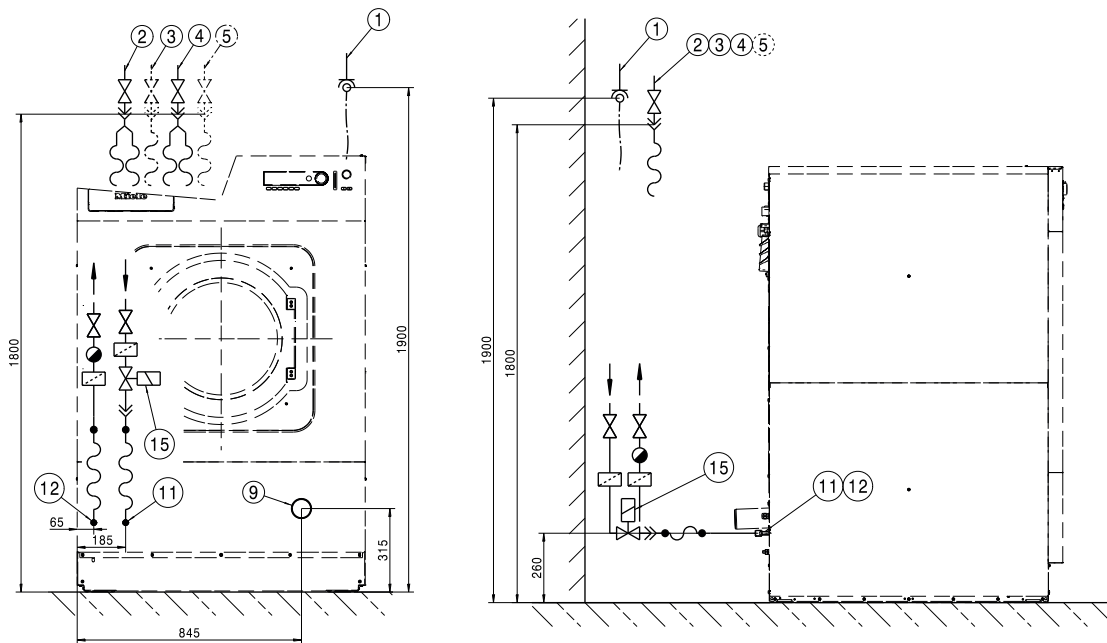
Erre az adatinterfészre csak olyan készülékeket szabad csatlakoztatni, amik szintén megfelelnek a SELV-nek.

Az XKM RS 232 kommunikációs modul egy összekötő kábellel és egy D-Sub-csatlakozó dugóval együtt kerül szállításra.

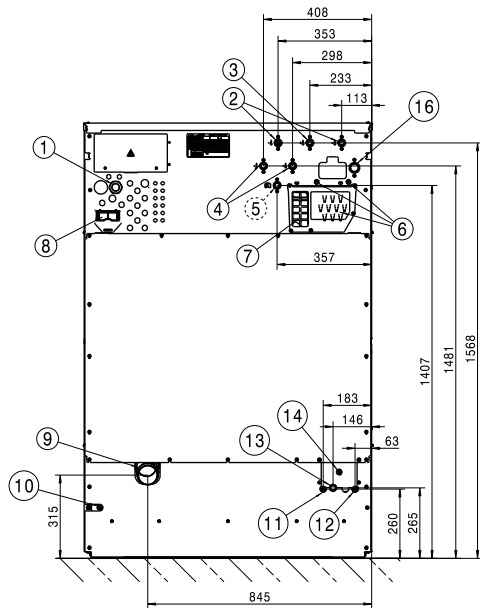
Pára- és habelvezetés szerelőkészlet (APWM 063)

Megnövekedett habképződés esetén a páraelszívóból hab léphet ki. A hab levezetésére az opcionális pára- és hablevezető szerelőkészlet használható.

Beszerelés (közvetlen gőzfűtés)

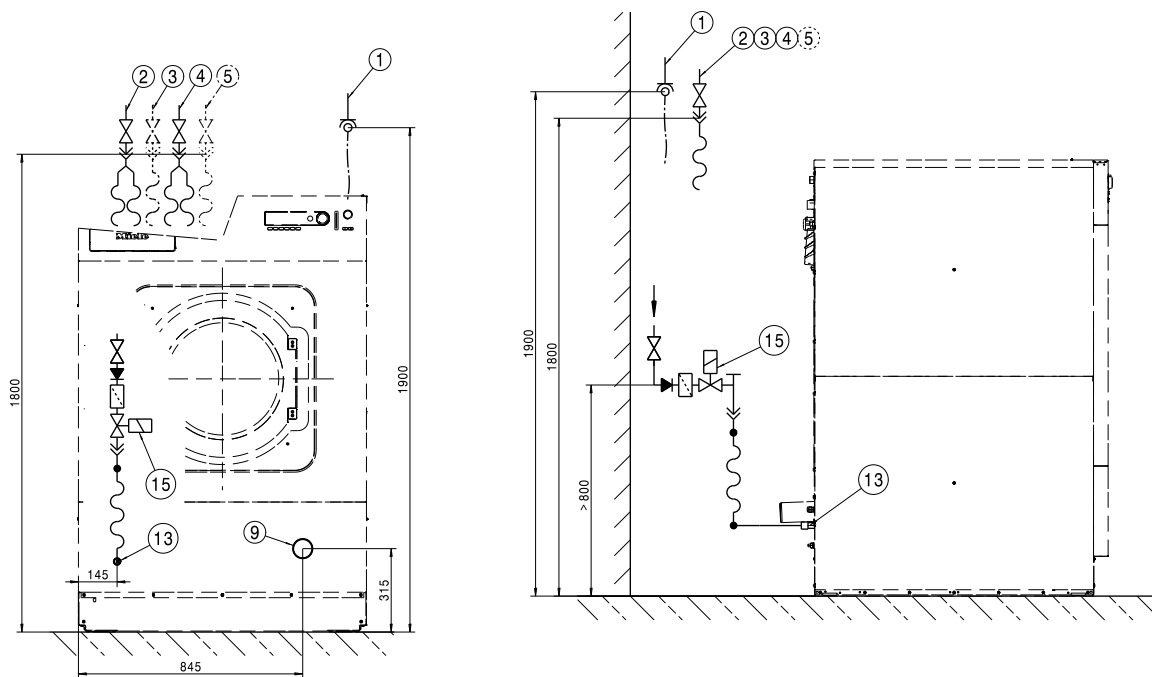


- | | |
|--|--|
| ① Elektromos csatlakozás | ⑨ Lefolyócső |
| ② Hidegvíz-csatlakozás | ⑩ A potenciálkiegyenlítés csatlakozója |
| ③ Melegvíz-csatlakozás | ⑪ SI csatlakozó, bevezetés (közvetlen gőz) csak SI |
| ④ Hidegvíz-csatlakozás (alternatív hidegvíz-csatlakozás) | ⑫ SI csatlakozó, elvezetés (közvetlen gőz) csak SD |
| ⑤ Hidegvíz csatlakozás a folyékony adagolás számára (opcionális) | ⑬ SD csatlakozó (közvetett gőz) csak SD |
| ⑥ Adagoló szivattyú csatlakozásai | ⑭ Gőzszelep csatlakozó csak SI/SD |
| ⑦ Túlfolyás | ⑮ Gőzszelep csak SI/SD |
| ⑧ Kommunikációs csatlakozás | |

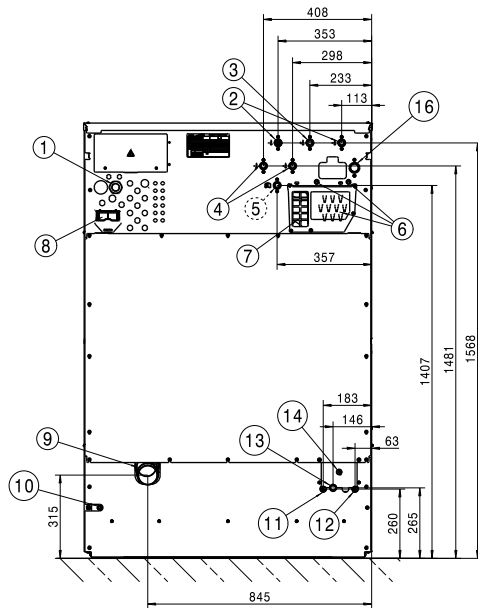


- | | |
|--|--|
| ① Elektromos csatlakozás | ⑨ Lefolyócső |
| ② Hidegvíz-csatlakozás | ⑩ A potenciálkiegyenlítés csatlakozója |
| ③ Melegvíz-csatlakozás | ⑪ SI csatlakozó, bevezetés (közvetlen gőz) csak SI |
| ④ Hidegvíz-csatlakozás (alternatív hidegvíz-csatlakozás) | ⑫ SI csatlakozó, elvezetés (közvetlen gőz) csak SI |
| ⑤ Hidegvíz csatlakozás a folyékony adagolás számára (opcionális) | ⑬ SD csatlakozó (közvetett gőz) csak SD |
| ⑥ Adagoló szivattyú csatlakozásai | ⑭ Gőzszelep csatlakozó csak SI/SD |
| ⑦ Túlfolyás | ⑮ Gőzszelep csak SI/SD |
| ⑧ Kommunikációs csatlakozás | ⑯ Vízvisszanyerés csatlakozó (opcionális) |

Beszerelés (közvetett gőzfűtés)

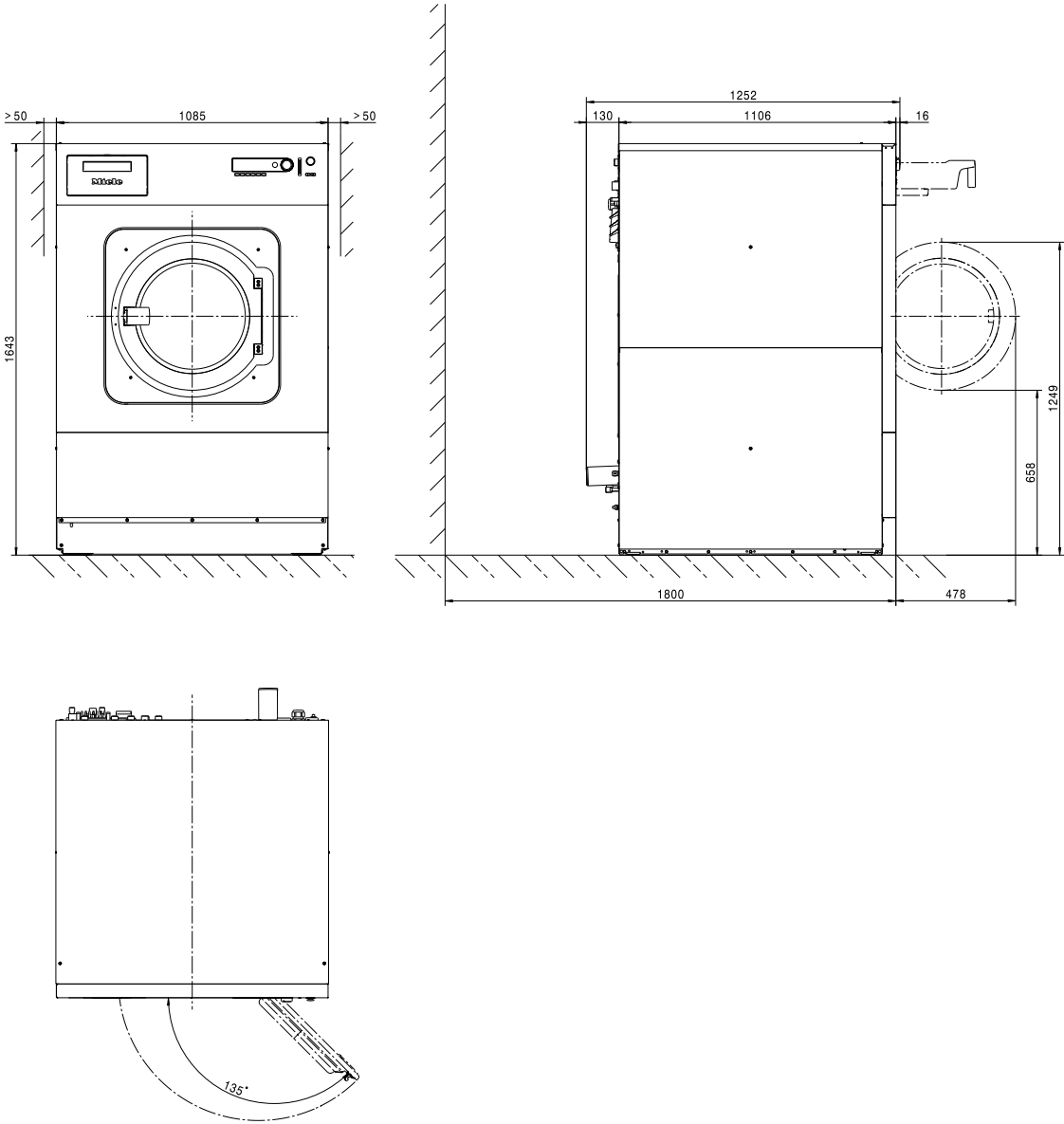


- | | |
|--|--|
| ① Elektromos csatlakozás | ⑨ Lefolyócső |
| ② Hidegvíz-csatlakozás | ⑩ A potenciálkiegyenlítés csatlakozója |
| ③ Melegvíz-csatlakozás | ⑪ SI csatlakozó, bevezetés (közvetlen gőz) csak SI |
| ④ Hidegvíz-csatlakozás (alternatív hidegvíz-csatlakozás) | ⑫ SI csatlakozó, elvezetés (közvetlen gőz) csak SD |
| ⑤ Hidegvíz csatlakozás a folyékony adagolás számára (opcionális) | ⑬ SD csatlakozó (közvetett gőz) csak SD |
| ⑥ Adagoló szivattyú csatlakozásai | ⑭ Gőzszelep csatlakozó csak SI/SD |
| ⑦ Túlfolyás | ⑮ Gőzszelep csak SI/SD |
| ⑧ Kommunikációs csatlakozás | |

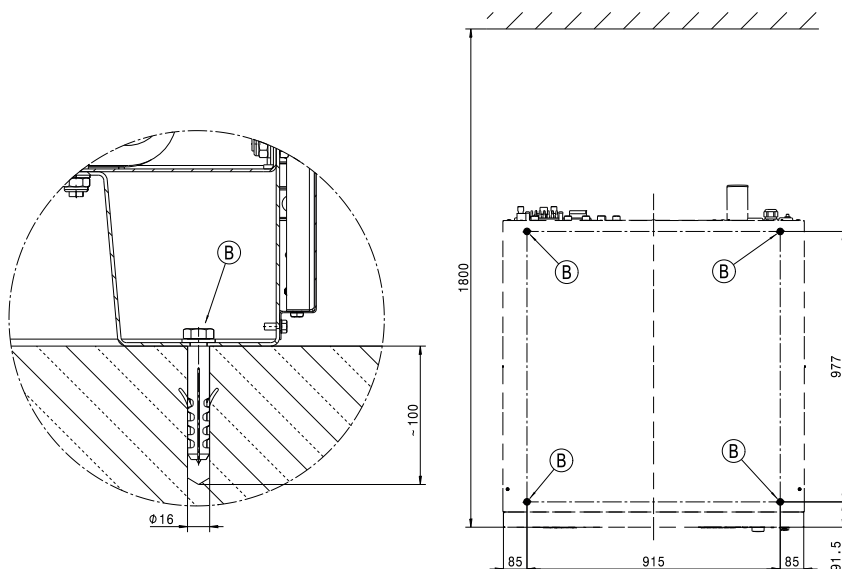


- | | |
|--|--|
| ① Elektromos csatlakozás | ⑨ Lefolyócső |
| ② Hidegvíz-csatlakozás | ⑩ A potenciálkiegyenlítés csatlakozója |
| ③ Melegvíz-csatlakozás | ⑪ SI csatlakozó, bevezetés (közvetlen gőz) csak SI |
| ④ Hidegvíz-csatlakozás (alternatív hidegvíz-csatlakozás) | ⑫ SI csatlakozó, elvezetés (közvetlen gőz) csak SD |
| ⑤ Hidegvíz csatlakozás a folyékony adagolás számára (opcionális) | ⑬ SD csatlakozó (közvetett gőz) csak SD |
| ⑥ Adagoló szivattyú csatlakozásai | ⑭ Gőzszelep csatlakozó csak SI/SD |
| ⑦ Túlfolyás | ⑮ Gőzszelep csak SI/SD |
| ⑧ Kommunikációs csatlakozás | ⑯ Vízvisszanyerés csatlakozó |

Méretetek



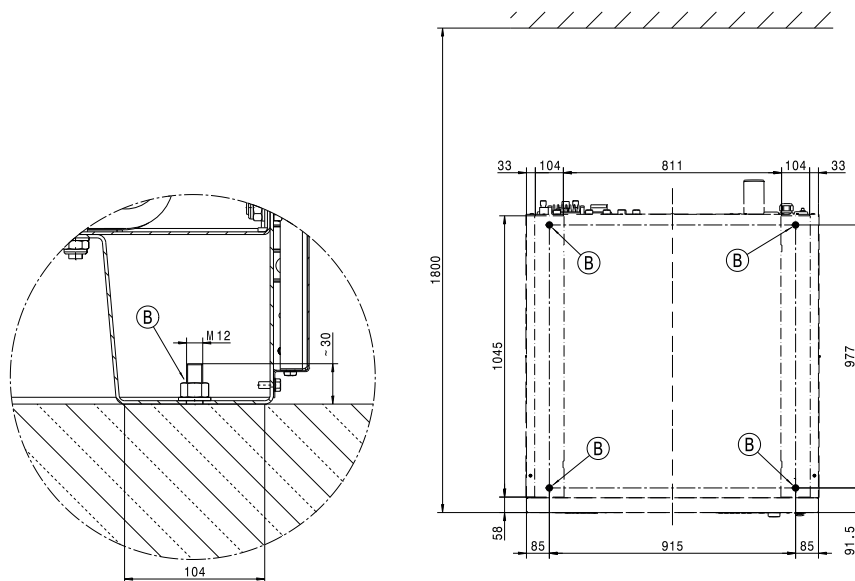
Standard rögzítés a padlón



Méretetek milliméterben megadva

Ⓑ Csavar/rögzítési pont

Rögzítés a padlón SOM



Méretetek milliméterben megadva

Ⓑ Csavar/rögzítési pont

Feszültségváltozatok és villamos adatok

	<i>Alap:</i>	<i>Átkapcsolható:</i>
Hálózati feszültség	3N AC 380-415V	3N AC 380-415V
Frekvencia	50 Hz	60 Hz
Teljesítményfelvétel	6,1 kW	6,1 kW
Biztosíték (helyszíniileg kialakítandó)	3 x 16 A	3 x 16 A
A csatlakozókábel minimális keresztmetszete	4 x 1,5 mm ²	4 x 1,5 mm ²
Kábelcsavarzat	M16 x 1,5 mm	M16 x 1,5 mm
Hálózati feszültség		3 AC 400V
Frekvencia		60 Hz
Teljesítményfelvétel		6,1 kW
Biztosíték (helyszíniileg kialakítandó)		3 x 16 A
A csatlakozókábel minimális keresztmetszete		4 x 1,5 mm ²
Kábelcsavarzat		M16 x 1,5 mm

A Miele javaslata, hogy a készüléket az IEC 60309 és az IEC 60947 szabvány szerinti összes pólusú, lekapcsolható, rögzíthető fali csatlakozóaljzat segítségével csatlakoztassa úgy, hogy az elektromos biztonsági ellenőrzések könnyen elvégezhetőek legyenek.

Állandó csatlakoztatás esetén az IEC 60947 szerinti hálózati leválasztó berendezést kell telepíteni.

A fali csatlakozóaljzatnak vagy a hálózati leválasztó berendezésnek a készülék telepítését követően mindig hozzáférhetőnek kell maradnia.

A biztonság növelésére a Miele a készülék elé egy FI-relé (RCD) bekötését ajánlja. Kizárólag univerzális áram-védőkapcsolót (B típus) használjon.

A potenciálkiegyenlítés csatlakozója

Külső menetes csomák a készüléken	10 mm x 30 mm (3/8" x 1 3/16")
Alátétek és anyák mérete	M 10

Mindig jó érintkezésű potenciálkiegyenlítést kell kialakítani, amely megfelel a nemzeti telepítési előírásoknak.

Gőzcsatlakozás

Közvetlen gőzfűtés

Gőztúlnyomás	400–1 000 kPa
Forrási hőmérséklet	152–184 °C
Fűtési teljesítmény (tervezési teljesítmény)	50 kW
Tömegáram (tervezési teljesítmény)	84 kg/h
Menetes csatlakozó (helyszíniileg kialakítandó)	1/2" belső menetes

A gőz-mágnesszelepet, a gőzszelepet, a szennyeződésszűrőt és a gőzzáró szelepet a helyszínen kell telepíteni. Vegye figyelembe a gőzfűtésű készülékek telepítési útmutatóját.

Közvetett gőzfűtés

Gőztúlnyomás (nagy nyomás)	≤ 400 kPa
Forrási hőmérséklet (nagy nyomás)	≤ 152 °C
Fűtési teljesítmény (tervezési teljesítmény, nagy nyomás)	86 kW
Tömegáram (tervezési teljesítmény, nagy nyomás)	140 kg/h
Gőztúlnyomás (kis nyomás)	≤ 50 kPa
Forrási hőmérséklet (kis nyomás)	≤ 120 °C
Fűtési teljesítmény (tervezési teljesítmény, kis nyomás)	29 kW
Fűtési teljesítmény (tervezési teljesítmény, kis nyomás)	45 kg/h
Menetes csatlakozó (helyszíniileg kialakítandó)	3/4" belső menetes

A gőz-mágnesszelepet, a gőzszelepet, a szennyeződésszűrőt és a gőzzáró szelepet a helyszínen kell telepíteni. Vegye figyelembe a gőzfűtésű készülékek telepítési útmutatóját.

hu - Műszaki adatok

Vízcsatlakozások

Hidegvíz-csatlakozás

Szükséges hálózati víznyomás	100–1000 kPa (1–10 bar)
Maximális áramlási sebesség (hiányzó meleg- és keményvízes ellátásnál)	74 (79,5*) l/min
Maximális áramlási sebesség	26 (31,5*) l/min
Szükséges csatlakozómenet (külső menetes, a helyszínen a DIN 44991 szerint, síkban tömítő)	3/4"
A készülékkel együtt szállított vízbevezető tömlő hossza	2 (3*) x 1550 mm
* folyékony mosószer-adagolóval	

Melegvíz-csatlakozás

Maximális megengedett vízhőmérséklet	70 °C
Szükséges hálózati víznyomás	100–1000 kPa (1–10 bar)
Maximális áramlási sebesség	16 l/min
Szükséges csatlakozómenet (külső menetes, a helyszínen a DIN 44991 szerint, síkban tömítő)	3/4"
A készülékkel együtt szállított vízbevezető tömlő hossza	1 x 1550 mm

Keményvízes csatlakozás

Szükséges hálózati víznyomás	100–1000 kPa (1–10 bar)
Maximális áramlási sebesség	32 l/min
Szükséges csatlakozómenet (külső menetes, a helyszínen a DIN 44991 szerint, síkban tömítő)	3/4"
A készülékkel együtt szállított vízbevezető tömlő hossza	2 x 1550 mm

Kondenzvíz csatlakozás (csak közvetlen gőzfűtés esetén)

Kondenzvíz csatlakozás menetes csatlakozó (helyszíniileg kialakítandó)	½" belső menetes
--	------------------

A kondenzvíz leválasztót, a gőzszelepet, a szennyeződésszűrőt és a gőzzáró szelepet a helyszínen kell telepíteni.

Szennyvíz (leeresztőszelep)

Maximális szennyvíz-hőmérséklet	95 °C
Szennyvízcsonk a készüléken (külső átmérő)	HT DN 70
Helyszíni vízvezetés (belső átmérő)	75 x 1,9 x 110 mm (Muffe DN 70)
Maximális térfogatáram	200 l/min
A szennyvíz számára szellőztetett gyűjtővezeték szükséges. Amennyiben több készülék egy gyűjtővezetékre van csatlakoztatva, a gyűjtővezeték megfelelően nagyra kell dimenzionálni.	

Átlagos vízfogyasztás egy standard programhoz (60°-os színes mosás)

Hideg víz – lágy	59 l/h
hiányzó keményvízes csatlakozás esetén	127 l/h
Meleg víz – lágy	121 l/h
Hideg víz – kemény	68 l/h

Rögzítés

Rögzítőanyagok

4 x DIN 571 facsavar (Ø x hossz)	12 mm x 90 mm
4 x tipli (Ø x hossz)	16 mm x 80 mm

A készülék rögzítése feltétlen szükséges.

A lebegő esztrich rögzítőanyagát a helyszínen kell biztosítani.

Készülékemissziók

Átlagos hőleadás a felállítási helyiségben	4,7 MJ/h
Kibocsátási hangnyomásszint a munkahelyen	78 dB(A) re 20 µPa
Hangteljesítményszint mosás	60,3 dB (A) re 1 pW
Hangteljesítményszint centrifugálás	82,2 dB (A) re 1 pW

Készülékadatok

Készülék szélessége	1085 mm
Készülék magassága	1643 mm
Készülék mélysége	1106 mm
A készülék teljes szélessége	1089 mm
A készülék teljes magassága	1646 mm
A készülék teljes mélysége	1252 mm
A berakó nyílás szélessége (tisztá szélesség)	1185 mm
Faltól való javasolt távolság (a készülék első éléig)	1800 mm
Nettó tömeg	640 kg
Maximális padlóterhelés üzem közben	8417 N
Maximális statikus terhelés	7063 N
Maximális dinamikus terhelés	1353 N
A dob maximális forgási frekvenciája	18,3 Hz

A telepítéseket csak engedélyezett szerelők végezhetik a vonatkozó érvényes előírásoknak, jogelveknek, balesetmegelőzési előírásoknak és érvényes szabványoknak megfelelően.






Szállítási adatok

Csomagolási szélesség	1260 mm
Csomagolási magasság	1710 mm
Csomagolási mélység	1470 mm
Bruttó súly	691 kg

pl - Spis treści

Wskazówki instalacyjne	55
Objaśnienie wskazówek bezpieczeństwa i ostrzeżeń umieszczonych na urządzeniu.....	55
Warunki instalacyjne	55
Ogólne warunki użytkowania	55
Ustawianie.....	55
Podłączenie elektryczne	56
Podłączenie wody	57
Przyłącze wody zimnej	57
Przyłącze wody ciepłej.....	57
Przyłącze wody twardej	58
Zawór spustowy.....	58
Przyłącza pomp dozujących.....	59
Opcje/Wyposażenie dodatkowe.....	60
Zestaw montażowy Urządzenie inkasujące (BSK)	60
Zestaw montażowy Funkcja obciążenia szczytowego (BSS).....	60
Moduł komunikacyjny XKM RS232.....	61
Zestaw montażowy Odprowadzanie oparów i piany (APWM 063)	61
Instalacja	62
Installation (grzanie parowe pośrednie).....	62
Instalacja (grzanie parowe bezpośrednie)	64
Ustawienie	66
Wymiary.....	66
Standardowe mocowanie do podłoża.....	67
Mocowanie do podłogi SOM	67
Dane techniczne	68
Warianty napięciowe i dane elektryczne.....	68
Przyłącze dla wyrównania potencjałów	68
Przyłącze pary	68
Przyłącza wodne.....	69
Przyłącze wody zimnej	69
Przyłącze wody ciepłej.....	69
Przyłącze wody twardej	69
Przyłącze kondensatu (tylko przy pośrednim grzaniu parowym)	69
Odprowadzenie wody (zawór spustowy)	69
Przeciętne zużycie wody dla programu standardowego (Pranie kolorowe 60°)	69
Mocowanie.....	69
Materiały mocujące.....	69
Emisje urządzenia.....	70
Dane urządzenia	70
Dane transportowe	70

Objaśnienie wskazówek bezpieczeństwa i ostrzeżeń umieszczonych na urządzeniu

	Przeczytać instrukcję użytkownika
	Ostrożnie, gorące powierzchnie
	Ostrożnie, napięcie do 1000 V
	Uziemienie ochronne
	Wyrównanie potencjałów

Warunki instalacyjne

Urządzenie może być ustawiane i uruchamiane wyłącznie przez serwis Miele lub wykwalifikowany personel autoryzowanego sprzedawcy.

- ▶ Instalacja pralnicy musi zostać dokonana zgodnie z obowiązującymi zasadami i normami. Ponadto należy przestrzegać przepisów lokalnego zakładu energetycznego i wodociągowego.
- ▶ Używać pralnicy tylko w wystarczająco wentylowanych i nie zagrożonych mrozem pomieszczeniach.

Pralnica nie jest przeznaczona do pracy w obszarach zagrożonych wybuchem!

Ogólne warunki użytkowania

Pralnica jest przeznaczona wyłącznie do stosowania w obszarach profesjonalnych i może być używana tylko w pomieszczeniach.

- Temperatura otoczenia: 0-40 °C
- Względna wilgotność powietrza: bez kondensacji
- Maksymalna wysokość ustawienia n.p.m.: 2000 m

W zależności od warunków panujących w miejscu ustawienia może dochodzić do przenoszenia drgań lub hałasów na konstrukcję budynku.

Wskazówka: Przy zwiększonych wymaganiach pod względem ochrony przed hałasem miejsce ustawienia urządzenia należy poddać fachowej ocenie.

Ustawianie

Przetransportować pralnicę na miejsce ustawienia za pomocą wózka paletowego i usunąć opakowanie transportowe.

Pralnica musi być ustawiona na całkowicie płaskiej, wypoziomowanej i stabilnej powierzchni, która wytrzyma przynajmniej podane obciążenie podłoża (patrz rozdział „Dane techniczne“).

Wskazówka: Najlepszym podłożem do ustawienia jest strop betonowy. W przeciwieństwie do stropów z belek drewnianych lub innych stropów o „miękkich“ właściwościach jest on w niewielkim stopniu narażony na wibracje przy wirowaniu.

Obciążenie podłoża powodowane przez urządzenie oddziałuje na powierzchnię ustawczą powierzchniowo w obszarze powierzchni ustawczej.

Ze względu na dynamiczne poruszanie urządzenia podczas pracy, pralnica wymaga zachowania po bokach odstępów o wielkości przynajmniej 50 mm. Odstęp od tyłu urządzenia do ściany z tyłu powinien wynosić przynajmniej 400 mm.

Pralnicy nie wolno ustawiać na wykładzinach dywanowych.

Zamocować pralnicę do podłoża w przewidzianych punktach mocowania za pomocą materiałów mocujących dostarczonych wraz z urządzeniem.

Dostarczone materiały mocujące są przewidziane do mocowania kołkowego na podłożu betonowej. Jeśli w miejscu ustawienia występują inne konstrukcje podłogowe, należy zapewnić odpowiednie materiały mocujące na miejscu montażu.

Podłączenie elektryczne

Podłączenie elektryczne może zostać dokonane przez wykwalifikowanego elektryka, który jest w pełni odpowiedzialny za przestrzeganie obowiązujących norm i przepisów elektrycznych.

► Pralnica musi zostać podłączona do instalacji elektrycznej, która jest wykonana według obowiązujących przepisów. Ponadto należy przestrzegać uregulowań lokalnego zakładu energetycznego i ubezpieczycieli, przepisów BHP oraz ogólnie obowiązujących zasad technicznych.

► Wymagane napięcie przyłączeniowe, pobór mocy i dane dotyczące zabezpieczenia zewnętrznego są podane na tabliczce znamionowej pralnicy. Przed podłączeniem pralnicy do sieci elektrycznej należy się upewnić, że wartość napięcia w sieci elektrycznej zgadza się z napięciem podanym na tabliczce znamionowej urządzenia!

W przypadku podłączenia do napięcia odbiegającego od wartości podanej na tabliczce znamionowej może dojść do usterek w działaniu lub do uszkodzenia pralnicy!

Jeśli na tabliczce znamionowej jest naniesione kilka wartości napięcia, wówczas pralnica może zostać przełączona przez serwis w celu podłączenia do odpowiedniej wartości napięcia.

► Przełączenie napięcia może zostać przeprowadzone wyłącznie przez serwis Miele lub autoryzowanego przedstawiciela handlowego. Należy przy tym przestrzegać instrukcji przełączenia przewodów na planie instalacyjnym.

Urządzenie może zostać podłączone albo poprzez przyłącze stałe, albo przez urządzenie wtykowe wg IEC 60309-1. Dla podłączenia na stałe, w miejscu ustawienia należy zainstalować urządzenie rozłączające wszystkie bieguny.

Jako urządzenia rozłączające obowiązują przełączniki z odstępem styków większym niż 3 mm. Należą tutaj przełączniki instalacyjne, bezpieczniki i styczniki (IEC/EN 60947).

Urządzenie rozłączające (włącznie z urządzeniem wtykowym) należy zabezpieczyć przed niezamierzonym i nieuprawnionym ponownym włączeniem, gdy nie można nadzorować permanentnego przerwania dostawy energii w każdym miejscu dostępu.

Wskazówka: Preferowane jest podłączenie pralnicy poprzez urządzenie wtykowe, żeby można było łatwo przeprowadzić kontrolę bezpieczeństwa elektrycznego (np. podczas przeglądu).

► Jeśli według lokalnych wymogów konieczne jest zainstalowanie wyłącznika różnicowoprądowego (RCD), obligatoryjnie musi zostać zastosowany wyłącznik różnicowoprądowy typu B (uniwersalny).

Istniejący wyłącznik różnicowoprądowy (RCD) typu A musi zostać zastąpiony urządzeniem RCD typu B.

Należy zawsze utworzyć wyrównanie potencjałów z dobrym połączeniem styku, które odpowiada również obowiązującym lokalnie wymogom instalacyjnym.

Wyposażenie wymagane do wyrównania potencjałów nie jest zawarte w zakresie dostawy.

Podłączenie wody

Przyłącze wody zimnej

Dla każdego przyłącza zimnej wody wymagany jest 1 zawór wodny z gwintem zewnętrznym $\frac{3}{4}$ ".

Wąż dopływowy dla wody zimnej (niebieskie paski) nie nadaje się do podłączenia do wody ciepłej.

Przyłącze wody ciepłej

Aby zachować możliwie niskie zużycie energii przy pracy z ciepłą wodą, pralnicę należy podłączyć do przewodu obiegowego ciepłej wody. Instalacje dedykowane (oddzielne przewody do źródła ciepłej wody) powodują, w przypadku przerw w użytkowaniu, stygnięcie wody znajdującej się w przewodzie. Do nagrzania kąpeli potrzeba wówczas więcej energii elektrycznej.

Do podłączenia ciepłej wody zastosować wąż dopływowy dostarczony wraz z urządzeniem (czerwone paski).

Temperatura doprowadzanej ciepłej wody może wynosić maksymalnie 70 °C.

Jeśli nie ma przewodu z ciepłą wodą, wąż dopływowy ciepłej wody również musi być podłączony do doprowadzenia zimnej wody. W takim przypadku wymagany jest dodatkowy trójnik Y. Zapotrzebowanie pralnicy na zimną wodę zwiększa się przy tym dodatkowo o wymaganą wcześniej ilość ciepłej wody.

Ze względów funkcjonalnych i technicznych praca wyłącznie z ciepłą wodą nie jest możliwa.

Także przy istniejącym podłączeniu do ciepłej wody pralnica musi zostać podłączona do doprowadzenia zimnej wody.

pl - Wskazówki instalacyjne

Przyłącze wody twardej

Przyłącze dla twardej lub mocno zakamienionej wody. Dla przyłącza wody twardej obowiązują takie same warunki przyłączeniowe jak dla przyłącza wody zimnej.

Jeśli po stronie instalacji nie ma przyłącza wody twardej, wąż musi zostać podłączony do przyłącza wody zimnej.

Zawór spustowy

W przypadku pralnic z zaworem spustowym odprowadzenie ścieków następuje przez motorycznie napędzany zawór. Zawór spustowy może zostać podłączony bezpośrednio (bez syfonu) do systemu kanalizacyjnego przez dostępny w handlu króciec kątowy HT DN 70 lub do odpływu podłogowego (studzienka z zamknięciem przeciwapachowym).

Dzięki zoptymalizowanemu mechanizmowi zamykania i zwiększonemu przekrojowi odpływu, także przy większych zabrudzeniach nie powinny się tworzyć prawie żadne osady i zatkania. Aby można było opróżnić zbiornik kąpieli także przy awarii zasilania, zawór spustowy jest wyposażony w ręczny mechanizm obsługi na wyjątkowe sytuacje.


Dla bezusterkowego odpływu konieczne jest napowietrzenie przewodu odpływowego.

Jeśli kilka urządzeń jest podłączone do przewodu zbiorczego, przy ich równoczesnym użytkowaniu przewód zbiorczy musi mieć odpowiednio duży przekrój.

Do napowietrzenia rury HT DN 70 w serwisie Miele lub w sklepach specjalistycznych Miele można zamówić pasujący zestaw montażowy Miele M.-Nr: 05 238 090.

Przy zbyt dużym spadku odpływu należy przewidzieć napowietrzenie rury, żeby w systemie odpływowym pralnicy nie mogła wytworzyć się próżnia.

W przypadku opóźnień w odpływie wody lub zatrzymaniu w bębnie (ze względu na niewystarczający przekrój przewodu) mogą wystąpić usterki w przebiegu programu, co w efekcie może skutkować komunikatami błędów w urządzeniu.

 Odprowadzane ścieki mogą mieć temperaturę nawet 95 °C. Niebezpieczeństwo odniesienia oparzeń!
Unikać bezpośredniego dotykania.

Tylko dla Niemiec

W celu ochrony wody pitnej, pomiędzy zaworem wody i węzem dopływowym musi zostać zamontowane dołączone zabezpieczenie przeciwwrotne. Przy fachowo wykonanej instalacji domowej przewidziane tutaj przyłącza (np. zawór kątowy) są już wyposażone w to zabezpieczenie. Proszę się upewnić, że zawór przeciwwrotny występuje w Państwa instalacji domowej.

Przy zastosowaniu oddzielnego zabezpieczenia przeciwwrotnego należy przestrzegać następującej kolejności:

1. Zamocować zabezpieczenie przeciwwrotne na przyłączy wody.
2. Zamocować wąż doprowadzający wodę na zabezpieczeniu przeciwwrotnym.

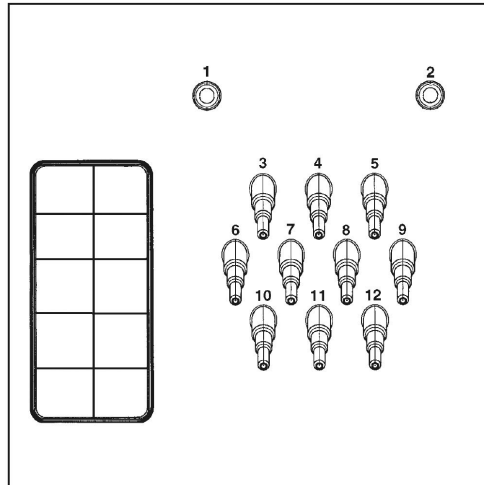
⚠ Zagrożenie zdrowia i szkody przez zanieczyszczoną wodę zasilającą.

Jakość wody zasilającej musi odpowiadać zaleceniom dla wody pitnej w kraju użytkownika pralki.

Zawsze podłączać pralkę do ujęcia wody pitnej.

Przyłącza pomp dozujących

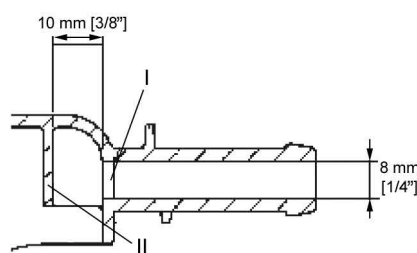
Do pralkicy można podłączyć do 12 pomp dozujących.



Przyłącza pomp dozujących z tyłu urządzenia

Przyłącza **1** i **2** są przewidziane do dozowania past i mogą również zostać wykorzystane do wysokociśnieniowych instalacji dozujących ze spłukiwaniem wodą. Urządzenia dozujące muszą być wyposażone w oddzielne urządzenie zabezpieczające wodę pitną zgodnie z EN 61770 i EN 1717. Maksymalne natężenie przepływu wynosi 1500 ml/min przy maksymalnym ciśnieniu przepływu 300 kPa.

Te króćce przyłączeniowe są zaślepiene i przed podłączeniem muszą zostać przewiercone wiertłem 8 mm.



Proszę pamiętać, że można przewiercić tylko pierwszą ściankę (**I**), ponieważ już 10 mm za pierwszą ścianką znajduje się ścianka oporowa (**II**).

Przyłącza **3** do **12** są przewidziane dla płynnych środków piorących. Do tych przyłączy nie wolno podłączać wysokociśnieniowych instalacji dozujących ze spłukiwaniem wodą. Króćce przyłączeniowe są zaślepiene i przed podłączeniem muszą zostać odcięte małą piłą do średnicy węży.

Jeśli otwarte króćce przyłączeniowe nie będą więcej wykorzystywane, należy je z powrotem zaślepić za pomocą odpowiedniego materiału uszczelniającego (np. silikonu).

pl - Wskazówki instalacyjne

Zaciski podłączeniowe dla pięciu sterowanych czasowo pomp dozujących, które mogą pracować bez modułu wielofunkcyjnego, znajdują się za pokrywką obok przyłącza elektrycznego.

W przypadku pralnic, które są wyposażone w opcjonalny moduł wielofunkcyjny, kalibracja pomp dozujących i regulacja wielkości dozowania odbywa się półautomatycznie. Wskazówki dotyczące ustawień znajdują się w instrukcji użytkownika.

W celu dokładnego ustalenia wielkości dozowania można alternatywnie podłączyć również przepływomierz lub czujniki przepływu.

Dla każdego zastosowanego środka do dyspozycji są przyłącza do kontroli stanu napełnienia.

Opcje/Wyposażenie dodatkowe

Elementy wyposażenia mogą zostać dobudowane lub wbudowane tylko wtedy, gdy jest to wyraźnie dozwolone przez firmę Miele. Jeśli zostanie dobudowane lub wbudowane inne wyposażenie, przypadają roszczenia wynikające z gwarancji, rękojmi i/lub odpowiedzialności za produkt.

Zestaw montażowy Urządzenie inkasujące (BSK)

Poprzez opcjonalny zestaw montażowy Urządzenie inkasujące (BSK) pralnica może zostać wyposażona w system inkasujący (np. do pracy w pralniach samoobsługowych). W tym celu serwis Miele musi zaprogramować ustawienie w elektronice pralki i podłączyć urządzenie inkasujące. Jako wyposażenie dodatkowe Miele do wyboru są urządzenia inkasujące z mechanicznym lub elektronicznym sprawdzaniem monet dla indywidualnych grup docelowych.

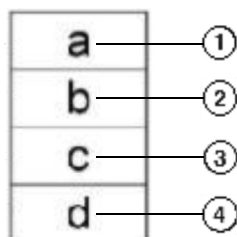
Programowanie wymagane do podłączenia może zostać dokonane wyłącznie przez serwis Miele lub autoryzowanego sprzedawcę Miele. Do podłączenia urządzenia inkasującego nie jest wymagane żadne zewnętrzne źródło zasilania.

Zestaw montażowy Funkcja obciążenia szczytowego (BSS)

Poprzez opcjonalny zestaw montażowy Funkcja obciążenia szczytowego (BSS) pralnica może zostać podłączona do systemu zarządzania energią.

Funkcja obciążenia szczytowego nadzoruje zużycie energii obiektu, aby w zamierzony sposób dezaktywować chwilowo pojedyncze odbiorniki, unikając w ten sposób przekroczenia obciążenia granicznego. Nadzór jest realizowany przez zewnętrzny sterownik.

Zestaw montażowy udostępnia wówczas na listwie zaciskowej trzy zestyki sygnałowe i jeden przewód neutralny. Ta listwa zaciskowa jest oznaczona za pomocą „a”, „b”, „c” i „d”:



- ① sygnał wyjściowy, tryb roboczy urządzenia
- ② sygnał wyjściowy, urządzenie wymaga grzania
- ③ sygnał wejściowy obciążenia szczytowego, urządzenie przełącza grzanie
- ④ przewód neutralny

W przypadku aktywacji funkcji obciążenia szczytowego bieżący program zostaje zatrzymany, a na wyświetlaczu pralnicy pojawia się komunikat. Po zakończeniu funkcji obciążenia szczytowego program jest z powrotem automatycznie kontynuowany.

Moduł komunikacyjny XKM RS232

Poprzez opcjonalny moduł komunikacyjny XKM RS232 pralnica może zostać wyposażona w łącze szeregowe RS-232. Ten moduł komunikacyjny jest przeznaczony do zastosowania wyłącznie w urządzeniach Miele Professional, które są wyposażone w odpowiednią wnękę modułową.

Udostępnione przez moduł komunikacyjny XKM RS232 łącze danych odpowiada SELV (Safety Extra-Low Voltage) wg EN 60950. Do tego łącza danych mogą zostać podłączone wyłącznie takie urządzenia, które również odpowiadają SELV.

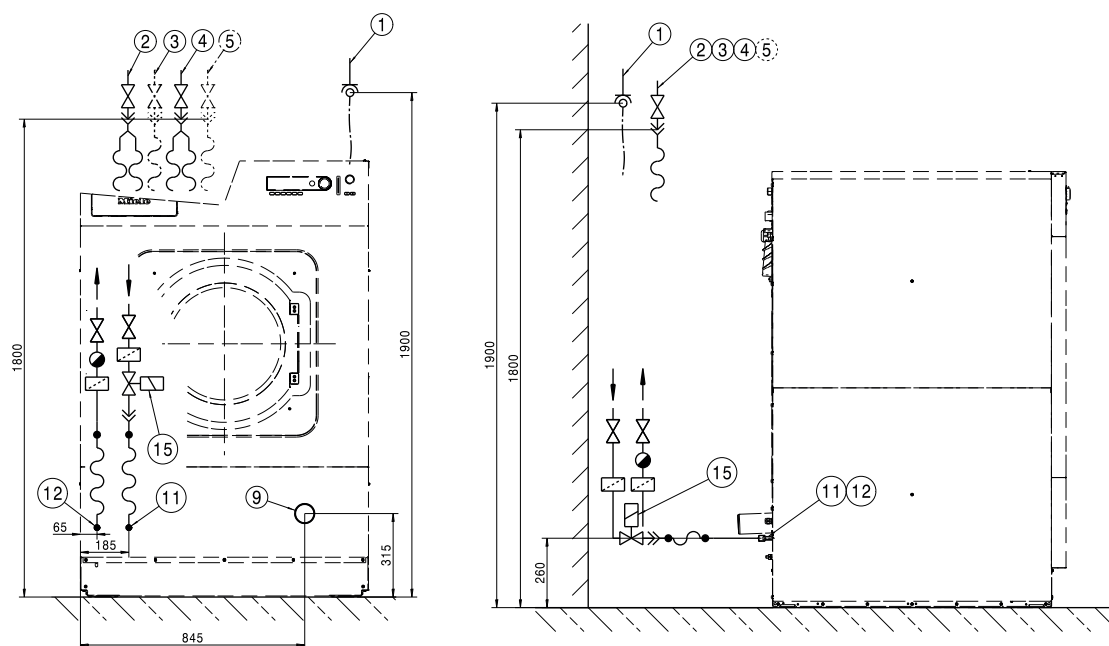
Moduł komunikacyjny XKM RS232 jest dostarczany razem z kablem połączeniowym i wtyczką sub-d.

Zestaw montażowy Odprowadzanie oparów i piany (APWM 063)

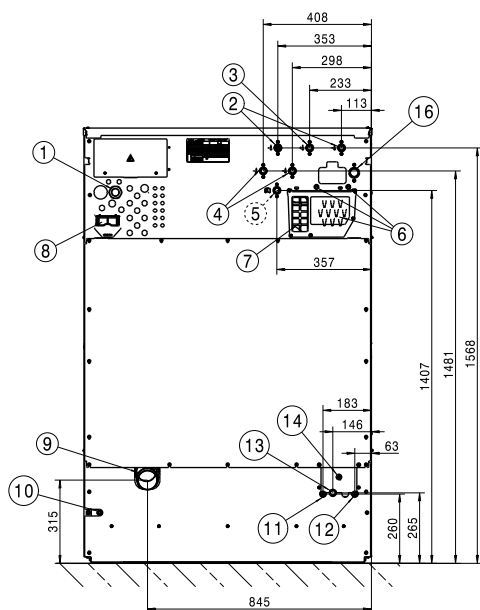
Przy zwiększonym wytwarzaniu piany z odprowadzenia oparów może się wydostawać piana. Aby odprowadzić pianę, można zastosować opcjonalny zestaw montażowy Odprowadzanie oparów i piany.

pl - Instalacja

Installation (grzanie parowe pośrednie)

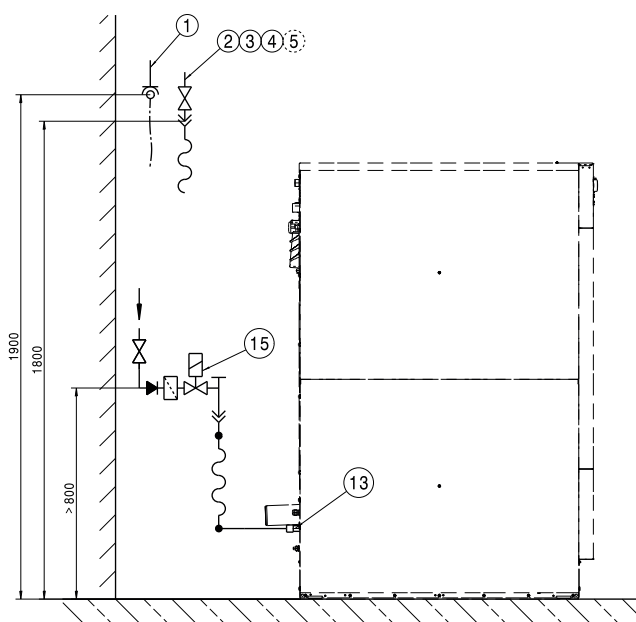
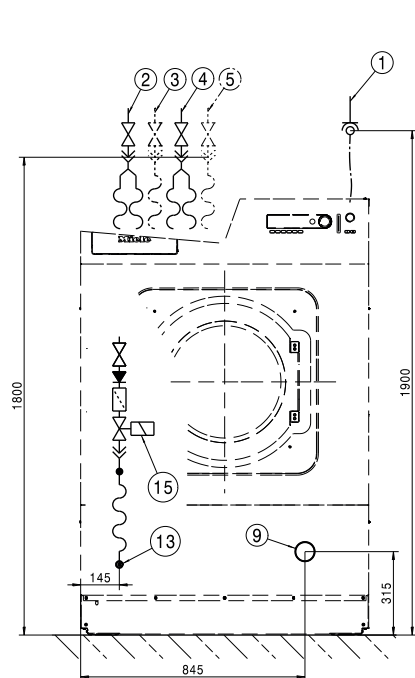


- ① Przyłącze elektryczne
- ② Przyłącze wody zimnej
- ③ Przyłącze wody ciepłej
- ④ Przyłącze wody zimnej (alternatywnie przyłącze wody twardej)
- ⑤ Przyłącze wody zimnej dla dozowania płynów (opcjonalnie)
- ⑥ Przyłącza pomp dozujących
- ⑦ Przelew
- ⑧ Przyłącze komunikacyjne
- ⑨ Rura odpływowa
- ⑩ Przyłącze dla wyrównania potencjałów
- ⑪ Przyłącze SI, dopływ (para pośrednia) tylko SI
- ⑫ Przyłącze SI, odpływ (para pośrednia) tylko SD
- ⑬ Przyłącze SD (para bezpośrednia) tylko SD
- ⑭ Przyłącze zaworu pary tylko SI/SD
- ⑮ Zawór pary tylko SI/SD

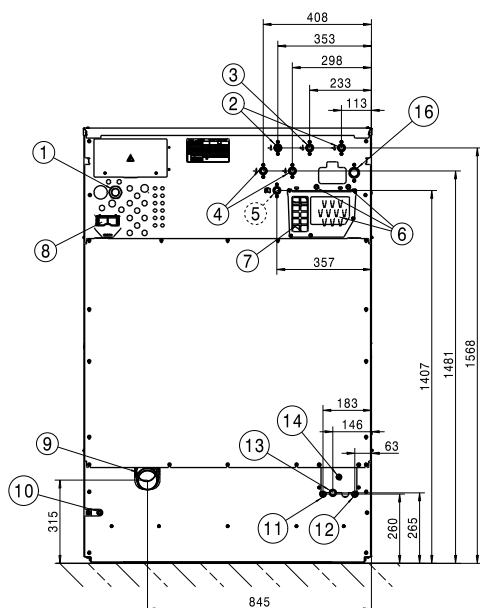


- | | |
|--|--|
| ① Przyłącze elektryczne | ⑨ Rura odpływowa |
| ② Przyłącze wody zimnej | ⑩ Przyłącze dla wyrównania potencjałów |
| ③ Przyłącze wody ciepłej | ⑪ Przyłącze SI, dopływ (para pośrednia) tylko SI |
| ④ Przyłącze wody zimnej (alternatywnie przyłącze wody twardej) | ⑫ Przyłącze SI, odpływ (para pośrednia) tylko SI |
| ⑤ Przyłącze wody zimnej dla dozowania płynów (opcjonalnie) | ⑬ Przyłącze SD (para bezpośrednia) tylko SD |
| ⑥ Przyłącza pomp dozujących | ⑭ Przyłącze zaworu pary tylko SI/SD |
| ⑦ Przelew | ⑮ Zawór pary tylko SI/SD |
| ⑧ Przyłącze komunikacyjne | ⑯ Przyłącze dla odzyskiwania wody (opcjonalnie) |

Instalacja (grzanie parowe bezpośrednie)



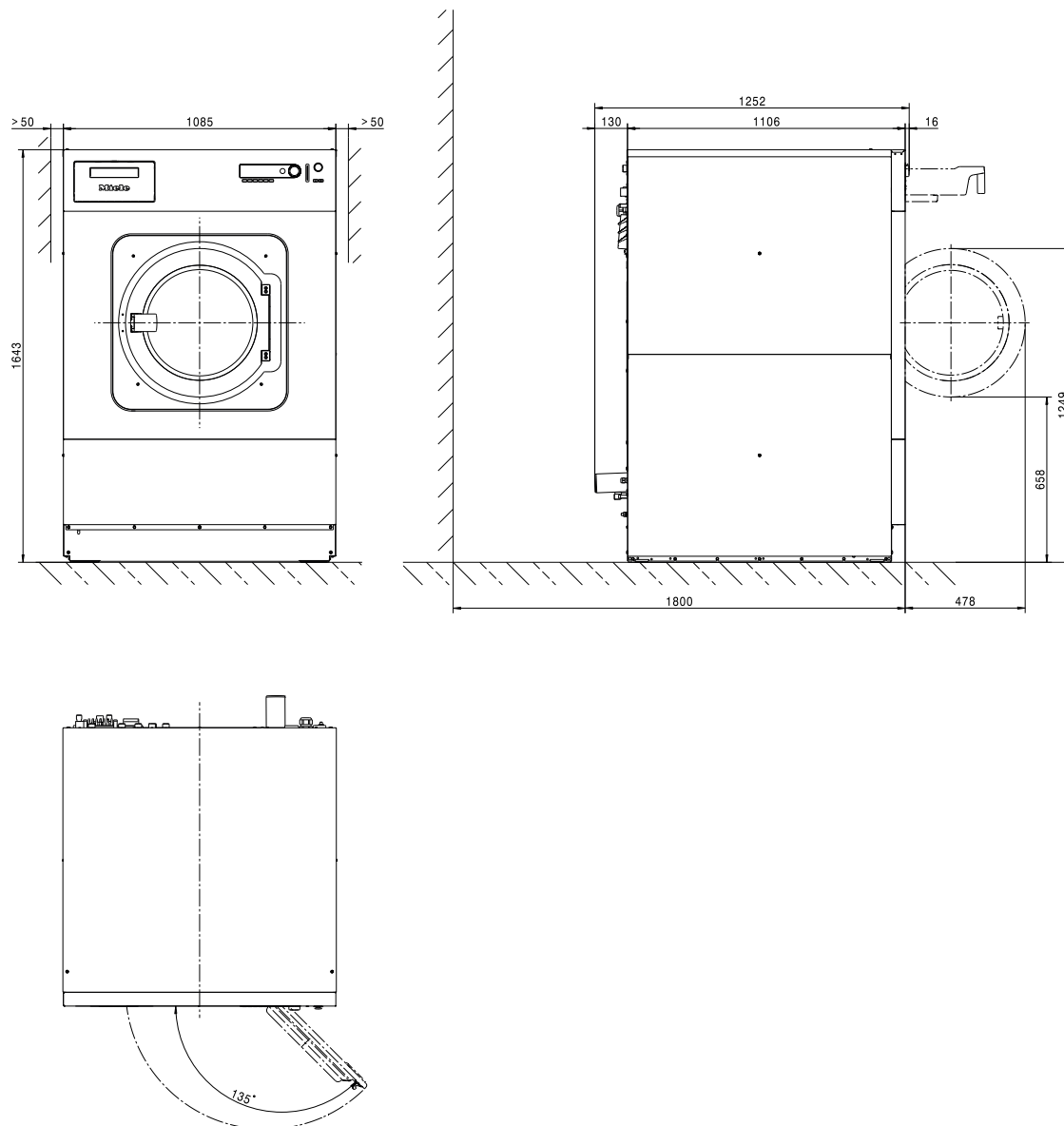
- ① Przyłącze elektryczne
- ② Przyłącze wody zimnej
- ③ Przyłącze wody ciepłej
- ④ Przyłącze wody zimnej (alternatywnie przyłącze wody twardej)
- ⑤ Przyłącze wody zimnej dla dozowania płynów (opcjonalnie)
- ⑥ Przyłącza pomp dozujących
- ⑦ Przelew
- ⑧ Przyłącze komunikacyjne
- ⑨ Rura odpływowa
- ⑩ Przyłącze dla wyrównania potencjałów
- ⑪ Przyłącze SI, doływ (para pośrednia) tylko SI
- ⑫ Przyłącze SI, odpływ (para pośrednia) tylko SD
- ⑬ Przyłącze SD (para bezpośrednia) tylko SD
- ⑭ Przyłącze zaworu pary tylko SI/SD
- ⑮ Zawór pary tylko SI/SD



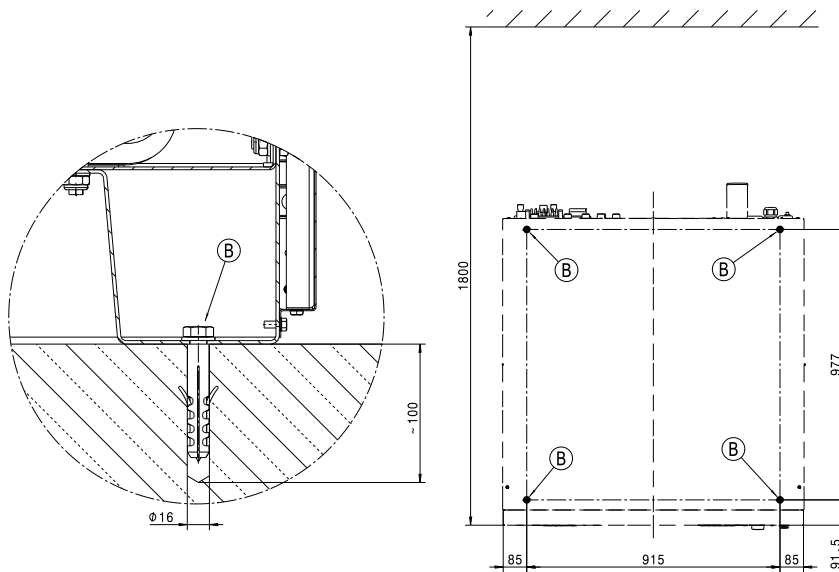
- | | |
|--|--|
| ① Przyłącze elektryczne | ⑨ Rura odpływowa |
| ② Przyłącze wody zimnej | ⑩ Przyłącze dla wyrównania potencjałów |
| ③ Przyłącze wody ciepłej | ⑪ Przyłącze SI, dopływ (para pośrednia) tylko SI |
| ④ Przyłącze wody zimnej (alternatywnie przyłącze wody twardej) | ⑫ Przyłącze SI, odpływ (para pośrednia) tylko SD |
| ⑤ Przyłącze wody zimnej dla dozowania płynów (opcjonalnie) | ⑬ Przyłącze SD (para bezpośrednia) tylko SD |
| ⑥ Przyłącza pomp dozujących | ⑭ Przyłącze zaworu pary tylko SI/SD |
| ⑦ Przelew | ⑮ Zawór pary tylko SI/SD |
| ⑧ Przyłącze komunikacyjne | ⑯ Przyłącze dla odzyskiwania wody |

pl - Ustawienie

Wymiary



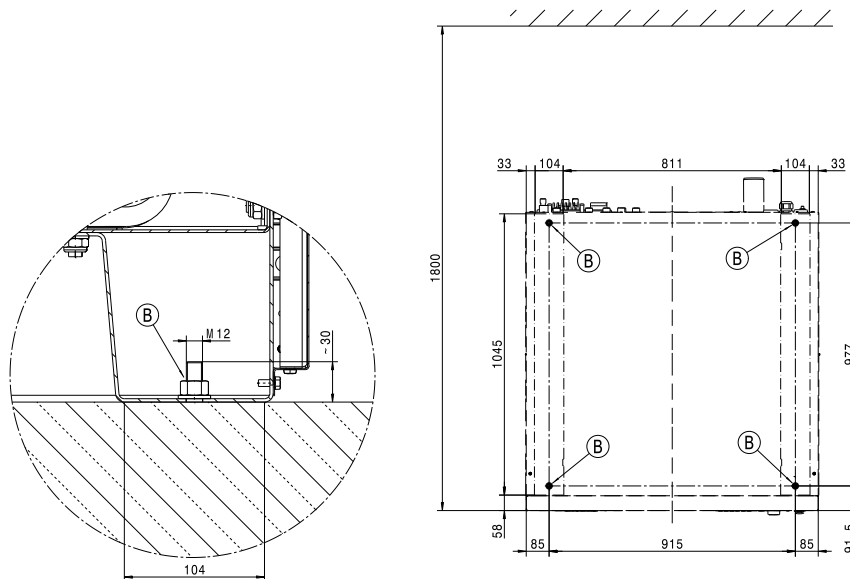
Standardowe mocowanie do podłoża



Wymiary w milimetrach

Ⓑ Śruba/Punkt mocowania

Mocowanie do podłogi SOM



Wymiary w milimetrach

Ⓑ Śruba/Punkt mocowania

pl - Dane techniczne

Warianty napięciowe i dane elektryczne

	<i>Standard:</i>	<i>Przełączalne na:</i>
Napięcie przyłączeniowe	3N AC 380-415V	3N AC 380-415V
Częstotliwość	50 Hz	60 Hz
Pobór mocy	6,1 kW	6,1 kW
Zabezpieczenie (instalacyjne)	3 x 16 A	3 x 16 A
Minimalny przekrój kabla przyłączeniowego	4 x 1,5 mm ²	4 x 1,5 mm ²
Skręcane złącze kablowe	M16 x 1,5 mm	M16 x 1,5 mm
Napięcie przyłączeniowe		3 AC 400V
Częstotliwość		60 Hz
Pobór mocy		6,1 kW
Zabezpieczenie (instalacyjne)		3 x 16 A
Minimalny przekrój kabla przyłączeniowego		4 x 1,5 mm ²
Skręcane złącze kablowe		M16 x 1,5 mm

Miele zaleca podłączanie urządzenia poprzez wielostykowe, odłączalne gniazdo ściennie z blokadą zgodnie z IEC 60309 i IEC 60947, żeby można było łatwo przeprowadzać kontrole bezpieczeństwa elektrycznego.

W przypadku przyłącza stałego musi zostać zainstalowane urządzenie rozłączające zgodnie z IEC 60947.

Gniazdo ściennie lub urządzenie rozłączające muszą pozostawać stale dostępne po instalacji urządzenia.

W celu podwyższenia bezpieczeństwa Miele zaleca poprzedzenie urządzenia wyłącznikiem różnicowoprądowym (RCD). Stosować wyłącznie uniwersalne wyłączniki różnicowoprądowe (typ B).

Przyłącze dla wyrównania potencjałów

Króciec z gwintem zewnętrznym na urządzeniu	10 mm x 30 mm (3/8" x 1 3/16")
Wielkość podkładki i nakrętki	M 10

Należy zawsze utworzyć wyrównanie potencjałów z dobrym połączeniem styku, które odpowiada również obowiązującym lokalnie wymogom instalacyjnym.

Przyłącze pary

Grzanie parowe pośrednie

Ciśnienie pary	400–1000 kPa
Temperatura wrzenia	152–184 °C
Moc grzania (wydajność odbiorcza)	50 kW
Strumień masy (wydajność odbiorcza)	84 kg/h
Gwint przyłączeniowy (po stronie budowlanej)	gwint wewnętrzny 1/2"

Magnetyczny zawór pary, filtr zabrudzeń i zawór odcinający pary muszą zostać zamontowane po stronie budowlanej. Przestrzegać wskazań instalacyjnych dla urządzeń z grzaniem parowym.

Grzanie parowe bezpośrednie

Ciśnienie pary (wysokociśnieniowe)	≤ 400 kPa
Temperatura wrzenia (wysokociśnieniowa)	≤ 152 °C
Moc grzania (wydajność odbiorcza wysokociśnieniowa)	86 kW
Strumień masy (wydajność odbiorcza wysokociśnieniowa)	140 kg/h
Ciśnienie pary (niskociśnieniowa)	≤ 50 kPa
Temperatura wrzenia (niskociśnieniowa)	≤ 120 °C
Moc grzania (wydajność odbiorcza niskociśnieniowa)	29 kW
Moc grzania (wydajność odbiorcza niskociśnieniowa)	45 kg/h
Gwint przyłączeniowy (po stronie budowlanej)	gwint wewnętrzny 3/4"

Magnetyczny zawór pary, filtr zabrudzeń i zawór odcinający pary muszą zostać zamontowane po stronie budowlanej. Przestrzegać wskazań instalacyjnych dla urządzeń z grzaniem parowym.

Przyłącza wodne

Przyłącze wody zimnej

Wymagane ciśnienie dynamiczne	100–1000 kPa (1–10 bar)
Maksymalna wielkość przepływu (przy braku doprowadzenia wody ciepłej i twardej)	74 (79,5*) l/min
Maksymalna wielkość przepływu	26 (31,5*) l/min
Wymagany gwint przyłączeniowy (gwint zewnętrzny, po stronie instalacji zgodnie z DIN 44991, z uszczelnieniem płaskim)	3/4"
Długość dostarczonego węża dopływowego	2 (3*) x 1550 mm
*z dozowaniem płynów	

Przyłącze wody ciepłej

Maksymalna dopuszczalna temperatura wody ciepłej	70 °C
Wymagane ciśnienie dynamiczne	100–1000 kPa (1–10 bar)
Maksymalna wielkość przepływu	16 l/min
Wymagany gwint przyłączeniowy (gwint zewnętrzny, po stronie instalacji zgodnie z DIN 44991, z uszczelnieniem płaskim)	3/4"
Długość dostarczonego węża dopływowego	1 x 1550 mm

Przyłącze wody twardej

Wymagane ciśnienie dynamiczne	100–1000 kPa (1–10 bar)
Maksymalna wielkość przepływu	32 l/min
Wymagany gwint przyłączeniowy (gwint zewnętrzny, po stronie instalacji zgodnie z DIN 44991, z uszczelnieniem płaskim)	3/4"
Długość dostarczonego węża dopływowego	2 x 1550 mm

Przyłącze kondensatu (tylko przy pośrednim grzaniu parowym)

Gwint przyłączeniowy przyłącza kondensatu (po stronie budowlanej)	gwint wewnętrzny 1/2"
---	-----------------------

Separator kondensatu, filtr zabrudzeń i zawór odcinający pary muszą zostać zamontowane po stronie budowlanej.

Odprowadzenie wody (zawór spustowy)

Maksymalna temperatura odpływu	95 °C
Króciec odpływowy na urządzeniu (średnica zewnętrzna)	HT DN 70
Odpływ budowlany (średnica wewnętrzna)	75 x 1,9 x 110 mm (mufa DN 70)
Maksymalna wielkość przepływu	200 l/min
Dla realizacji odpływu jest wymagany napowietrzany przewód zbiorczy. Jeśli do przewodu zbiorczego ma być podłączone kilka urządzeń, przewód zbiorczy musi być odpowiednio zwymiarowany.	

Przeciętne zużycie wody dla programu standardowego (Pranie kolorowe 60°)

woda zimna – miękka	59 l/h
przy braku przyłącza wody twardej	127 l/h
woda ciepła – miękka	121 l/h
woda zimna – twarda	68 l/h

Mocowanie

Materiały mocujące

4x wkręt do drewna DIN 571 (Ø x długość)	12 mm x 90 mm
4x kołek rozporowy (Ø x długość)	16 mm x 80 mm

Zamocowanie urządzenia jest bezwzględnie wymagane.

Materiały mocujące dla stropu pływającego muszą zostać zapewnione po stronie budowlanej.

pl - Dane techniczne

Emisje urządzenia

Przeciętna emisja ciepła do pomieszczenia	4,7 MJ/h
Poziom ciśnienia akustycznego w miejscu pracy	78 dB(A) re 20 µPa
Poziom mocy akustycznej, pranie	60,3 dB (A) re 1 pW
Poziom mocy akustycznej, wirowanie	82,2 dB (A) re 1 pW

Dane urządzenia

Szerokość urządzenia	1085 mm
Wysokość urządzenia	1643 mm
Głębokość urządzenia	1106 mm
Całkowita szerokość urządzenia	1089 mm
Całkowita wysokość urządzenia	1646 mm
Całkowita głębokość urządzenia	1252 mm
Szerokość otworu dostawczego (prześwit)	1185 mm
Zalecany odstęp od ściany (do przedniej krawędzi urządzenia)	1800 mm
Ciężar netto	640 kg
Maksymalne obciążenie podłoża w czasie pracy	8417 N
Maksymalne obciążenie statyczne	7063 N
Maksymalne obciążenie dynamiczne	1353 N
Maksymalna częstotliwość obrotowa bębna	18,3 Hz






Instalacje mogą zostać wykonane wyłącznie przez koncesjonowanego instalatora zgodnie z obowiązującymi przepisami, wymogami prawnymi, przepisami BHP i obowiązującymi normami.

Dane transportowe

Szerokość opakowania	1260 mm
Wysokość opakowania	1710 mm
Głębokość opakowania	1470 mm
Ciężar brutto	691 kg

Instruções de instalação	72
Explicação das indicações de segurança e de aviso na máquina	72
Pré-requisitos de instalação	72
Condições de funcionamento gerais	72
Montagem	72
Ligação elétrica	73
Ligações de água	74
Aviso para a Suíça	74
Legislação para a Áustria	74
Ligação à água fria	74
Ligação à água quente	74
Ligação para água dura	75
Válvula de esgoto	75
Ligações das bombas de dosagem	76
Opções/acessórios que podem ser adquiridos posteriormente	78
Kit de sistema de pagamento (BSK)	78
Kit de gestão de picos de energia (BSS)	78
Módulo de comunicação XKM RS 232	79
Conjunto de montagem para conduta de vapores e espuma (APWM 063)	79
Instalação	80
Instalação (aquecimento a vapor indireto)	80
Instalação (aquecimento a vapor direto)	82
Instalação	84
Dimensões	84
Fixação na base padrão	85
Fixação na base SOM	85
Caraterísticas técnicas	86
Variantes de tensão e caraterísticas elétricas	86
Entrada para ligação equipotencial	86
Ligação ao vapor	86
Ligações à água	87
Ligação à água fria	87
Ligação à água quente	87
Ligação para água dura	87
Ligação de condensado (apenas com aquecimento a vapor indireto)	87
Águas residuais (válvula de drenagem)	87
Consumo de água médio para um programa padrão (Roupa de cor 60°)	87
Fixação	87
Material de fixação	87
Emissões dos aparelhos	88
Dados do aparelho	88
Dados de transporte	88

Explicação das indicações de segurança e de aviso na máquina

	Leia as instruções de utilização
	Cuidado, superfícies quentes
	Cuidado, tensão até 1000 V
	Terra de proteção
	Ligação equipotencial

Pré-requisitos de instalação

A instalação da máquina de lavar roupa só deve ser efetuada pelo serviço de assistência técnica da Miele ou por um técnico autorizado.

- ▶ A instalação da máquina de lavar roupa tem de ser efetuada em conformidade com as regras e normas aplicáveis. Além disso, os regulamentos da companhia de eletricidade local devem ser observados.
- ▶ Utilize a máquina de lavar roupa somente em locais bem ventilados e sem risco de ocorrência de gelo.

A máquina de lavar roupa não se destina a funcionar em atmosferas potencialmente explosivas!

Condições de funcionamento gerais

Esta máquina de lavar roupa destina-se ao uso industrial e não pode ser utilizada no exterior.

- Temperatura ambiente: 0-40 °C
- Humidade relativa do ar: sem condensação
- Altura de instalação máxima acima do nível do mar: 2000 m

Dependendo da natureza do local de instalação, pode ocorrer ruído ou transmissões de vibração.

Dica: Se forem colocados requisitos de isolamento de som para o local de instalação do aparelho, solicite a um técnico qualificado a inspeção do espaço.

Montagem

Transporte a máquina de lavar roupa com uma empilhadora até ao local de instalação e retire aí a embalagem de transporte.

A máquina de lavar roupa tem de ser instalada sobre uma superfície firme, totalmente estável e nivelada para que possa suportar, pelo menos, a capacidade de carga no piso indicada (consulte o capítulo «Caraterísticas técnicas»).

Dica: A superfície de instalação mais adequada será um pavimento de betão. Ao contrário do soalho em madeira ou de uma superfície mais macia, a superfície em betão não provoca oscilações do aparelho durante a centrifugação.

A carga no piso exercida pela máquina de lavar roupa atua como carga superficial na área da superfície de contacto na superfície de instalação.

Devido aos movimentos dinâmicos da máquina durante o funcionamento, a máquina de lavar roupa necessita de distâncias laterais de, pelo menos, 50 mm. A distância do lado traseiro do aparelho até à parede traseira deveria ser no mínimo de 400 mm.

A máquina de lavar roupa não pode ser colocada num piso alcatifado. Fixe a máquina de lavar roupa ao piso nos pontos de fixação previstos com o material de fixação contido no volume de fornecimento.

O material de fixação fornecido destina-se à fixação por bucha a um pavimento de betão. Caso existam outras estruturas de piso no local de instalação, o material de fixação deve ser fornecido pelo cliente no local.

Ligação elétrica

A ligação elétrica deve ser efetuada exclusivamente por um electricista qualificado, que será totalmente responsável pelo cumprimento das normas e legislação existentes.

► A máquina de lavar tem de ser ligada a uma instalação elétrica que foi projetada de acordo com as normas nacionais e locais. Além disso, devem ser tidos em conta os regulamentos da empresa fornecedora de eletricidade, os regulamentos de prevenção de acidentes e os regulamentos técnicos reconhecidos.

► A tensão de alimentação necessária, o consumo de energia e os requisitos para a proteção externa por fusíveis estão indicados na placa de características da máquina de lavar. Certifique-se de que os valores de tensão da rede elétrica correspondem às especificações de tensão constantes da placa de características antes de a máquina de lavar ser ligada à corrente.

Ao efetuar a ligação a uma tensão diferente da indicada na placa de características poderá ocorrer o mau funcionamento ou a avaria da máquina.

Se na placa de características estiverem indicados vários valores de tensão, então a máquina pode ser comutada pelo serviço de assistência técnica da Miele para um dos valores de tensão indicados.

► A comutação de tensão só pode ser efetuada pelo serviço de assistência técnica ou por distribuidores autorizados Miele. Observe as indicações no esquema elétrico.

A máquina de lavar pode ser ligada através de uma ligação fixa ou através de uma ficha de acordo com a norma IEC 60309-1. Para efetuar uma ligação fixa, deve ser instalado no local um quadro elétrico omnipolar.

Como quadro elétrico são válidos os que têm uma abertura de contacto com mais de 3 mm. Estes incluem, p. ex., disjuntores, fusíveis e contactores (IEC/EN 60947).

O quadro elétrico (incluindo a ficha) deve estar protegido contra ligação involuntária e não autorizada quando não estiver previsto monitorizar uma interrupção permanente de corrente a partir de todos os pontos de acesso.

Dica: De preferência deve efetuar a ligação da máquina à corrente através de uma ficha para que qualquer trabalho de manutenção ou testes elétricos possam ser realizados mais facilmente e em segurança.

► Se, de acordo com os requisitos locais, for necessário instalar um disjuntor diferencial residual (RCD), tem de ser obrigatoriamente utilizado um disjuntor diferencial residual tipo B (universal).

Se estiver instalado um disjuntor diferencial residual (RCD) tipo A, terá de ser trocado por um do tipo B.

Deve ser sempre estabelecida uma ligação equipotencial com uma boa ligação de contacto, que também cumpra as disposições nacionais de instalação.

Os acessórios necessários para a ligação equipotencial não fazem parte do âmbito de fornecimento.

Ligações de água

Aviso para a Suíça

Em conformidade com a norma SIA 385.351/EN 1717 e a recomendação da SVGW, deve ser instalado um dispositivo antirretorno. Pode obter um dispositivo antirretorno em conformidade com a norma junto do seu canalizador.

Legislação para a Áustria

Para a tubagem de ligação do ponto de ligação no aparelho à unidade interna só devem ser utilizados os tubos rígidos enumerados no artigo 12, secção 1, do regulamento de execução da lei austríaca relativa à distribuição da água de 1960 (Wasserversorgungsgesetz).

A utilização de mangueiras de borracha ou de plástico como tubagens de ligação sob pressão entre a unidade interna e o aparelho só é, então, permitida se as mesmas:

- incluindo os encaixes de ligação integrados suportarem uma pressão de duração mínima de 1500 kPa (15 bar),
- elas forem bem supervisionadas durante a colocação em funcionamento do aparelho,
- após a respectiva utilização do aparelho, devido ao bloqueio da afluência de água antes da mangueira de borracha ou de plástico elas forem colocadas fora de funcionamento, de forma fiável, ou forem separadas principalmente da unidade interna.

Ligação à água fria

Para a ligação à água fria deve ser usada 1 torneira de água com uma rosca exterior de $\frac{3}{4}$ ".

A mangueira de entrada de água fria (risca azul) não é adequada para uma ligação à água quente.

Ligação à água quente

Para manter o consumo de energia o mais baixo possível durante a operação com água quente, a máquina de lavar roupa deve ser ligada a um circuito fechado de água quente.

Em caso de não utilização constante, as chamadas «condutas de derivação» (condutas individuais que conduzem ao aquecedor de água) levam ao arrefecimento da água que se encontra na conduta. Nesse caso, para aquecimento da solução de lavagem seria preciso gastar mais energia elétrica.

Para a ligação à água quente, utilize a mangueira de entrada fornecida (risca vermelha).

A temperatura da água quente de entrada não pode exceder 70 °C.

Se não existir uma conduta de água quente, a mangueira de entrada para água quente tem de ser ligada também ao abastecimento de água fria. Nesse caso, é necessária uma peça em Y adicional. A necessidade de água fria da máquina de lavar roupa é aumentada adicionalmente à quantidade de água quente necessária originalmente.

Por razões funcionais e técnicas inerentes ao processo, não é possível uma operação exclusiva com água quente.

Mesmo que exista uma ligação à água quente, a máquina de lavar roupa tem de ser ligada a uma linha de abastecimento de água fria.

Ligação para água dura

Ligação para água dura ou com elevado teor de calcário. Para a ligação de água dura são válidas as mesmas condições de ligação do que para a ligação à água fria.

Se não existir uma ligação de água dura no local, a mangueira deve ser ligada à ligação à água fria.

Válvula de esgoto

Nas máquinas de lavar roupa com uma válvula de esgoto, o esgoto da água de lavagem é efetuado por uma válvula motorizada. A válvula de esgoto pode ser ligada diretamente ao sistema de esgoto (sem sifão) ou a uma drenagem subterrânea (câmara de esgoto com sifão) através de uma tubuladura angular HT DN 70 à venda no comércio.

Graças ao mecanismo de fecho otimizado e uma maior secção de esgoto, quase não há acumulação de depósitos nem obstruções mesmo na presença de sujidade grosseira. Para ser possível esvaziar a cuba, mesmo no caso de falha de corrente, a válvula de esgoto possui um dispositivo de comando manual para casos excepcionais.


Para um esgoto sem problemas, é necessária uma instalação ventilada das condutas.

Se forem ligados vários aparelhos a uma conduta coletiva, esta tem de apresentar uma secção suficientemente grande para a operação simultânea de todos os aparelhos.

Para ventilação de um tubo HT DN 70, pode utilizar o conjunto de montagem adequado da Miele com o n.º de referência 05 238 090, disponível junto do serviço de assistência técnica da Miele ou do distribuidor Miele.

No caso de uma pendente de fluxo demasiado elevada, deve ser prevista uma ventilação dos tubos, para evitar a formação de vácuo no sistema de esgoto da máquina de lavar roupa.

No caso de atrasos de esgoto da água ou refluxo no tambor de lavagem (devido a uma secção demasiado pequena), podem ocorrer problemas na sequência do programa, os quais provocam mensagens de erro nos aparelhos.


 A água de lavagem escoada pode apresentar uma temperatura até 95 °C. Existe risco de queimaduras!
Evite o contacto direto.

Apenas para a Alemanha

Para proteger água potável, deve ser montada uma válvula antirretorno entre a torneira de água e a ligação à água da máquina de lavar roupa. Se a instalação doméstica for realizada por profissionais, as ligações previstas para o efeito (p. ex., válvula angular) já estão equipadas com este dispositivo de segurança. Certifique-se de que existe uma válvula antirretorno na sua instalação doméstica.


Quando utilizar uma válvula antirretorno separada, observe a seguinte sequência:

1. Fixe a válvula antirretorno à ligação à água.
2. Fixe a mangueira de entrada de água à válvula antirretorno.

 Perigo para a saúde e danos devido à entrada de água contaminada.

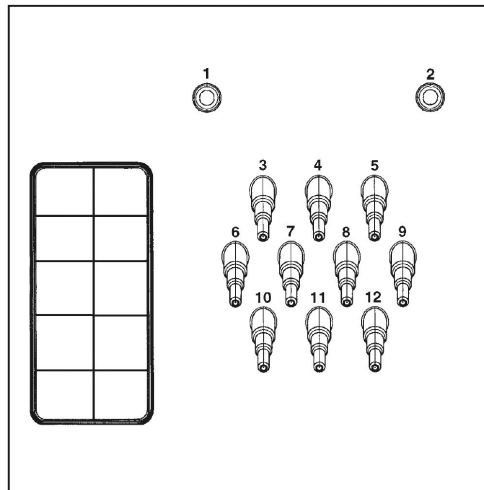
A qualidade da água que entra deve estar em conformidade com as especificações relativas à água potável do respetivo país, em que a máquina de lavar roupa é operada.

Ligue sempre a máquina de lavar roupa à água potável.

 As uniões roscadas estão sob pressão da tubagem da água. Mediante abertura lenta das torneiras de água, verifique se as ligações estão estanques. Se necessário, corrija o encaixe da junta e da união roscada.

Ligações das bombas de dosagem

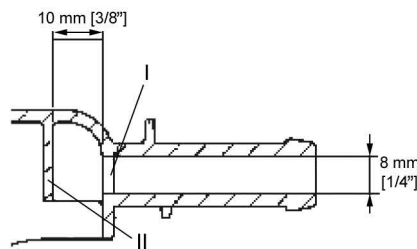
À máquina de lavar roupa podem ser ligadas até 12 bombas doseadoras.



Ligações das bombas de dosagem na parte de trás do aparelho

As ligações **1** e **2** são previstas para a dosagem de pastas e também devem ser utilizadas para sistemas de dosagem de alta pressão com purga de água. Os sistemas de dosagem devem estar equipados com um dispositivo de segurança de água potável, em separado, em conformidade com as diretivas EN 61770 e EN 1717. O caudal máximo é de 1500 ml/min com, no máximo, 300 kPa de pressão de fluxo.

Estes bocais de ligação estão fechados e têm de ser perfurados, antes da ligação, com uma broca de 8 mm.



Tenha em atenção que apenas a primeira parede (**I**) pode ser perfurada, pois 10 mm atrás da primeira parede encontra-se um defletor (**II**).

As ligações **3** a **12** estão previstas para o detergente líquido. Nestas ligações não podem ser ligados sistemas de dosagem de alta pressão com purga de água. Os bocais de ligação estão fechados e têm de ser cortados com uma pequena serra, antes da ligação, até ao diâmetro da mangueira.

Se os bocais de ligação abertos deixarem de ser utilizados, estes têm de voltar a ser fechados com um vedante adequado (p. ex., silicone).

Os terminais de ligação para cinco bombas doseadoras temporizadas, que podem ser operadas sem módulo multifuncional, encontram-se atrás da cobertura, junto à ligação elétrica.

No caso das máquinas de lavar roupa equipadas com um módulo multifuncional opcional, a calibração das bombas doseadoras e a regulação das quantidades de dosagem são feitas semiautomaticamente. Consulte as indicações sobre as regulações nas instruções de utilização.

pt - Instruções de instalação

Para um registo preciso da quantidade doseada podem, em alternativa, ser também ligados fluxómetros ou sensores de fluxo.

Para cada produto doseado utilizado, estão disponíveis ligações para a monitorização do nível vazio.

Opções/acessórios que podem ser adquiridos posteriormente

Só é possível instalar ou montar acessórios se forem expressamente recomendados pela Miele.

Se forem montadas ou ligadas outras peças, fica excluído o direito à garantia e/ou a responsabilidade pelo produto.

Kit de sistema de pagamento (BSK)

A máquina de lavar roupa pode ser equipada com um kit de sistema de pagamento (BSK) opcional (por exemplo, para operação em lavandarias self-service). Para tal, o serviço de assistência técnica da Miele tem de programar uma definição no sistema eletrónico da máquina de lavar roupa para ligar o sistema de pagamento (mealheiro). Como acessórios opcionais Miele, estão disponíveis dispositivos de pagamento com verificadores mecânicos ou eletrónicos de moedas para grupos-alvo específicos.

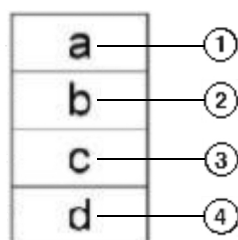
A programação necessária para a ligação só deve ser efetuada pelo serviço de assistência técnica da Miele ou distribuidores Miele. Para a ligação de um dispositivo de pagamento, não é necessária uma alimentação de tensão externa.

Kit de gestão de picos de energia (BSS)

A máquina de lavar roupa pode ser ligada a um sistema de gestão de picos de energia através do kit de desativação de picos de carga (BSS) opcional.

O sistema de desativação de picos de carga monitoriza o consumo de energia de um objeto, para desativar selectivamente consumidores individuais durante um curto período e impedir, dessa forma, que o limite de carga seja excedido. A monitorização é feita por um comando externo.

O conjunto de montagem disponibiliza três contactos de sinais e um condutor neutro através de um bloco de terminais. Este bloco de terminais está identificado com «a», «b», «c» e «d».



- ① Sinal de saída, arranque dos aparelhos
- ② Sinal de saída, solicitação de aquecimento pelos aparelhos
- ③ Sinal de entrada de pico de carga, o aparelho liga o aquecimento
- ④ Condutor neutro

Se a função de pico de carga for ativada, o programa em curso é parado e uma mensagem é apresentada no visor da máquina de lavar. No final da função de pico de carga, o programa continua automaticamente.

Módulo de comunicação XKM RS 232

Através do módulo de comunicação XKM RS 232, que pode ser obtido opcionalmente, pode equipar a máquina com uma interface série RS-232. Este módulo de comunicação apenas deve ser utilizado em aparelhos Miele profissionais que estejam equipados com um compartimento para o módulo.

A interface de dados, disponível através do módulo de comunicação XKM RS 232, corresponde a SELV (segurança extra de baixa tensão) de acordo com norma EN 60950.

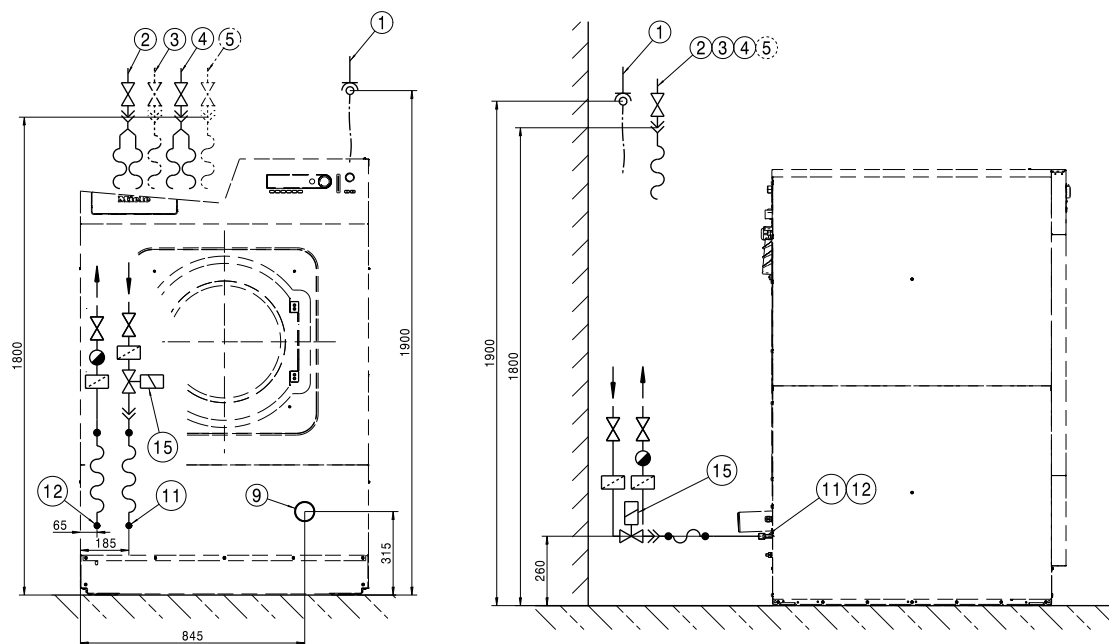
Nesta interface só podem ser ligados aparelhos que também estejam em conformidade com SELV.

O módulo de comunicação XKM RS 232 é fornecido juntamente com o cabo de ligação e uma ficha D-Sub.

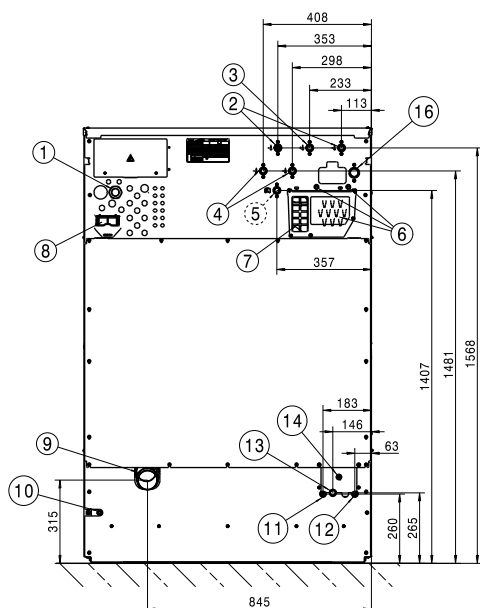
Conjunto de montagem para condução de vapores e espuma (APWM 063)

No caso de produção de espuma elevada pode sair espuma pela extração de vapor. Para escoar a espuma pode ser utilizado o conjunto de montagem opcional para condução de vapores e espuma.

Instalação (aquecimento a vapor indireto)

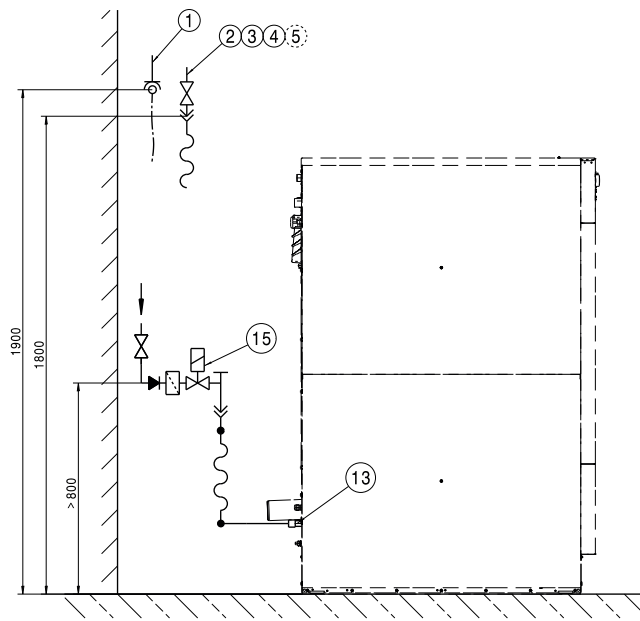
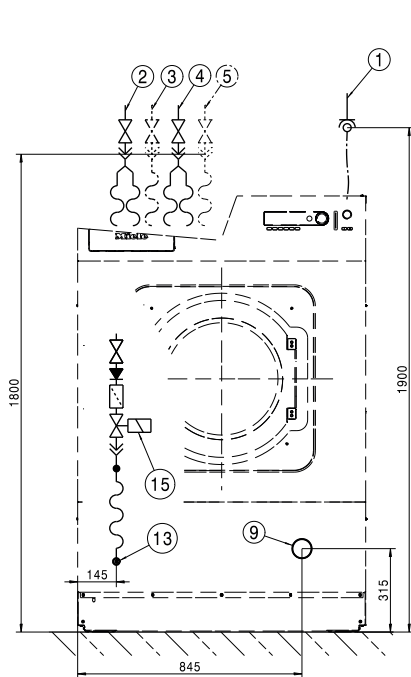


- ① Ligação elétrica
- ② Ligação à água fria
- ③ Ligação à água quente
- ④ Ligação à água fria (em alternativa, ligação para água dura)
- ⑤ Ligação à água fria para dosagem de líquidos (opcional)
- ⑥ Ligações da bomba de dosagem
- ⑦ Transbordo
- ⑧ Ligação de comunicação
- ⑨ Tubo de esgoto
- ⑩ Entrada para ligação equipotencial
- ⑪ Ligação SI, entrada (vapor indireto) apenas SI
- ⑫ Ligação SI, descarga (vapor indireto) apenas SD
- ⑬ Ligação SD (vapor direto) apenas SD
- ⑭ Ligação válvula de vapor apenas SI/SD
- ⑮ Válvula de vapor apenas SI/SD

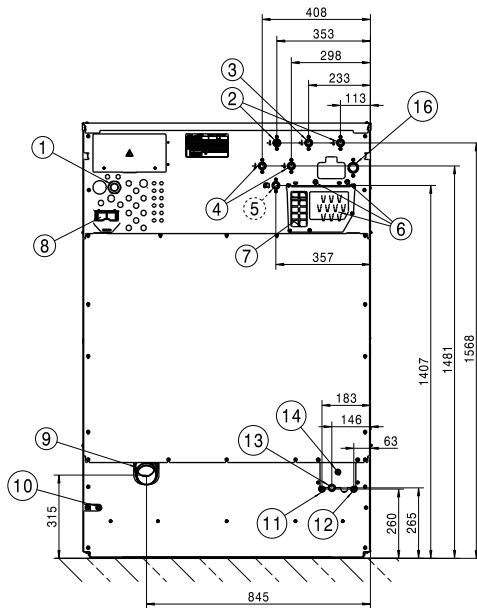


- | | |
|--|---|
| ① Ligação elétrica | ⑨ Tubo de esgoto |
| ② Ligação à água fria | ⑩ Entrada para ligação equipotencial |
| ③ Ligação à água quente | ⑪ Ligação SI, entrada (vapor indireto) apenas SI |
| ④ Ligação à água fria (em alternativa, ligação para água dura) | ⑫ Ligação SI, descarga (vapor indireto) apenas SI |
| ⑤ Ligação à água fria para dosagem de líquidos (opcional) | ⑬ Ligação SD (vapor direto) apenas SD |
| ⑥ Ligações da bomba de dosagem | ⑭ Ligação válvula de vapor apenas SI/SD |
| ⑦ Transbordo | ⑮ Válvula de vapor apenas SI/SD |
| ⑧ Ligação de comunicação | ⑯ Ligação para recuperação de água (opcional) |

Instalação (aquecimento a vapor direto)

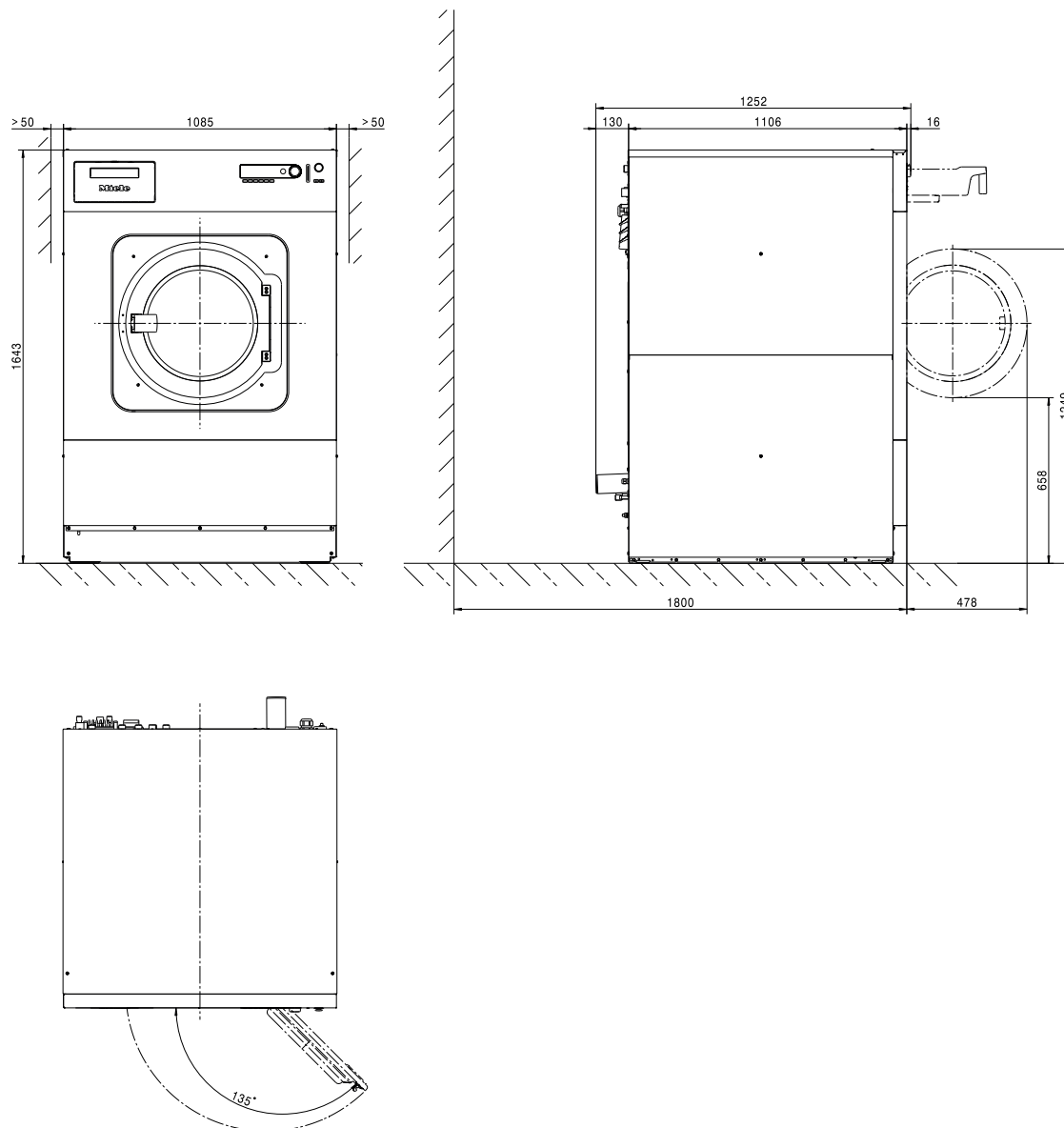


- ① Ligação elétrica
- ② Ligação à água fria
- ③ Ligação à água quente
- ④ Ligação à água fria (em alternativa, ligação para água dura)
- ⑤ Ligação à água fria para dosagem de líquidos (opcional)
- ⑥ Ligações da bomba de dosagem
- ⑦ Transbordo
- ⑧ Ligação de comunicação
- ⑨ Tubo de esgoto
- ⑩ Entrada para ligação equipotencial
- ⑪ Ligação SI, entrada (vapor indireto) apenas SI
- ⑫ Ligação SI, descarga (vapor indireto) apenas SD
- ⑬ Ligação SD (vapor direto) apenas SD
- ⑭ Ligação válvula de vapor apenas SI/SD
- ⑮ Válvula de vapor apenas SI/SD

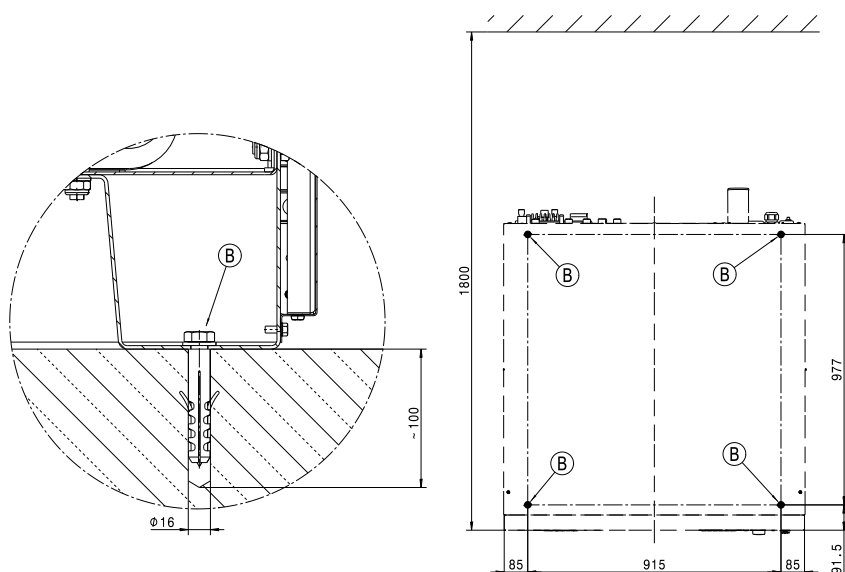


- | | |
|--|---|
| ① Ligação elétrica | ⑨ Tubo de esgoto |
| ② Ligação à água fria | ⑩ Entrada para ligação equipotencial |
| ③ Ligação à água quente | ⑪ Ligação SI, entrada (vapor indireto) apenas SI |
| ④ Ligação à água fria (em alternativa, ligação para água dura) | ⑫ Ligação SI, descarga (vapor indireto) apenas SD |
| ⑤ Ligação à água fria para dosagem de líquidos (opcional) | ⑬ Ligação SD (vapor direto) apenas SD |
| ⑥ Ligações da bomba de dosagem | ⑭ Ligação válvula de vapor apenas SI/SD |
| ⑦ Transbordo | ⑮ Válvula de vapor apenas SI/SD |
| ⑧ Ligação de comunicação | ⑯ Ligação para recuperação de água |

Dimensões



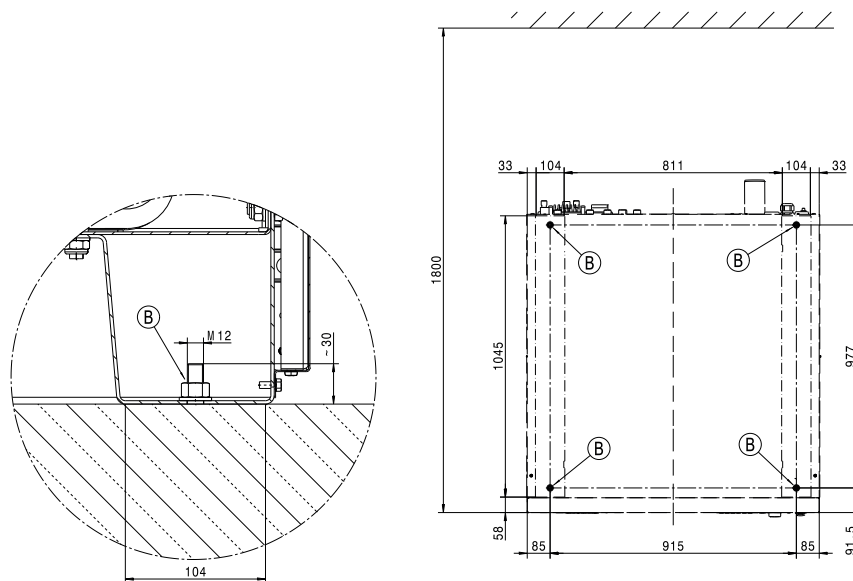
Fixação na base padrão



Dimensões em milímetros

Ⓑ Parafuso/Ponto de fixação

Fixação na base SOM



Dimensões em milímetros

Ⓑ Parafuso/Ponto de fixação

pt - Características técnicas

Variantes de tensão e características elétricas

	<i>Standard:</i>	<i>Comutável para:</i>
Tensão de ligação	3N AC 380-415V	3N AC 380-415V
Frequência	50 Hz	60 Hz
Consumo de energia	6,1 kW	6,1 kW
Disjuntor (no local de instalação)	3 x 16 A	3 x 16 A
Secção transversal mínima para o cabo elétrico	4 x 1,5 mm ²	4 x 1,5 mm ²
União roscada do cabo	M16 x 1,5 mm	M16 x 1,5 mm
Tensão de ligação		3 AC 400V
Frequência		60 Hz
Consumo de energia		6,1 kW
Disjuntor (no local de instalação)		3 x 16 A
Secção transversal mínima para o cabo elétrico		4 x 1,5 mm ²
União roscada do cabo		M16 x 1,5 mm

A Miele recomenda ligar o aparelho através de uma tomada de parede totalmente desconectável e bloqueável, de acordo com IEC 60309 e IEC 60947, para que as inspeções de segurança elétrica possam ser facilmente realizadas.

No caso de uma ligação fixa, é necessário instalar um dispositivo de corte de alimentação de acordo com a norma IEC 60947.

Uma tomada de parede ou dispositivo de corte de alimentação deve permanecer acessível a qualquer momento depois da instalação do aparelho.

Para aumento da segurança, a Miele recomenda ligar ao aparelho um disjuntor de corrente residual (RCD). Utilize exclusivamente disjuntores diferenciais universais (tipo B).

Entrada para ligação equipotencial

Tubuladura de rosca exterior no aparelho	10 mm x 30 mm (3/8" x 1 3/16")
Tamanho de anilhas e porcas	M 10

Deve ser sempre estabelecida uma ligação equipotencial com uma boa ligação de contacto, que também cumpra as disposições nacionais de instalação.

Ligação ao vapor

Aquecimento a vapor indireto

Sobrepresão de vapor	400–1.000 kPa
Temperatura de ebulição	152–184 °C
Potência de aquecimento (rendimento)	50 kW
Caudal mássico (rendimento)	84 kg/h
Rosca de ligação (no local)	Rosca fêmea 1/2"

A válvula magnética de vapor, o filtro de sujidade e a válvula de corte de vapor devem ser montados no local. Siga as instruções de instalação para máquinas de aquecimento a vapor.

Aquecimento a vapor direto

Sobrepresão de vapor (alta pressão)	≤ 400 kPa
Temperatura de ebulição (alta pressão)	≤ 152 °C
Potência de aquecimento (rendimento alta pressão)	86 kW
Caudal mássico (rendimento alta pressão)	140 kg/h
Sobrepresão de vapor (baixa pressão)	≤ 50 kPa
Temperatura de ebulição (baixa pressão)	≤ 120 °C
Potência de aquecimento (rendimento baixa pressão)	29 kW
Potência de aquecimento (rendimento baixa pressão)	45 kg/h
Rosca de ligação (no local)	Rosca fêmea 3/4"

A válvula magnética de vapor, o filtro de sujidade e a válvula de corte de vapor devem ser montados no local. Siga as instruções de instalação para máquinas de aquecimento a vapor.

Ligações à água

Ligação à água fria

Pressão de fluxo necessária	100–1000 kPa (1–10 bar)
Fluxo volumétrico máximo (no caso de faltar alimentação de água quente e dura)	74 (79,5*) l/min
Fluxo volumétrico máximo	26 (31,5*) l/min
Rosca de ligação necessária (rosca macho, no local de acordo com DIN 44991, vedação plana)	3/4"
Comprimento da mangueira de entrada fornecida *com dosagem de líquidos	2 (3*) x 1550 mm

Ligação à água quente

Temperatura máxima permitível da água quente	70 °C
Pressão de fluxo necessária	100–1000 kPa (1–10 bar)
Fluxo volumétrico máximo	16 l/min
Rosca de ligação necessária (rosca macho, no local de acordo com DIN 44991, vedação plana)	3/4"
Comprimento da mangueira de entrada fornecida	1 x 1550 mm

Ligação para água dura

Pressão de fluxo necessária	100–1000 kPa (1–10 bar)
Fluxo volumétrico máximo	32 l/min
Rosca de ligação necessária (rosca macho, no local de acordo com DIN 44991, vedação plana)	3/4"
Comprimento da mangueira de entrada fornecida	2 x 1550 mm

Ligação de condensado (apenas com aquecimento a vapor indireto)

Rosca de ligação de condensado (no local)	Rosca fêmea 1/2"
---	------------------

O separador de condensado, o filtro de sujidade e a válvula de corte de vapor devem ser montados no local de instalação.

Águas residuais (válvula de drenagem)

Temperatura máxima das águas residuais	95 °C
Bocal de saída de águas residuais no aparelho (diâmetro exterior)	HT DN 70
Esgoto no local de instalação (diâmetro interno)	75 x 1,9 x 110 mm (Muffe DN 70)
Caudal volúmico máximo	200 l/min

Para as águas residuais é necessária uma conduta coletora ventilada. Se forem ligados vários aparelhos a uma conduta coletora, esta tem de apresentar uma secção suficientemente grande para a operação simultânea de todos os aparelhos.

Consumo de água médio para um programa padrão (Roupa de cor 60°)

Água fria: macia	59 l/h
na ausência de uma ligação para água dura	127 l/h
Água quente: macia	121 l/h
Água fria: dura	68 l/h

Fixação

Material de fixação

4x parafusos para madeira DIN 571 (Ø x comprimento)	12 mm x 90 mm
4x buchas (Ø x comprimento)	16 mm x 80 mm

A fixação do aparelho é estritamente necessária.

O material de fixação para pavimento flutuante deve ser fornecido no local de instalação.

pt - Características técnicas

Emissões dos aparelhos

Libertação média de calor no local de instalação	4,7 MJ/h
Nível de emissão e pressão sonora no local de trabalho	78 dB(A) re 20 µPa
Nível de ruído, lavagem	60,3 dB (A) re 1 pW
Nível de potência sonora da centrifugação	82,2 dB (A) re 1 pW

Dados do aparelho

Largura do aparelho	1085 mm
Altura do aparelho	1643 mm
Profundidade do aparelho	1106 mm
Largura total dos aparelhos	1089 mm
Altura total do aparelho	1646 mm
Profundidade total do aparelho	1252 mm
Largura de abertura de instalação (largura livre)	1185 mm
Distância da parede recomendada (até ao bordo frontal do aparelho)	1800 mm
Peso líquido	640 kg
Carga máxima no piso em funcionamento	8417 N
Carga estática máxima	7063 N
Carga dinâmica máxima	1353 N
Frequência máxima de rotação do tambor	18,3 Hz






As instalações só podem ser realizadas por técnicos licenciados de acordo com os regulamentos válidos, princípios legais, regulamentos de prevenção de acidentes e normas aplicáveis.

Dados de transporte

Largura da embalagem	1260 mm
Altura da embalagem	1710 mm
Profundidade da embalagem	1470 mm
Peso bruto	691 kg

Kurulum bilgileri	90
Güvenlik talimatlarına ve makinedeki uyarı bilgilerine ilişkin açıklama	90
Kurulum şartları.....	90
Genel işletim koşulları.....	90
Kurulum.....	90
Elektrik bağlantısı.....	91
Su bağlantısı.....	92
İsviçre için bilgi	92
Avusturya için yönetmelik.....	92
Soğuk su bağlantısı.....	92
Sıcak su bağlantısı	92
Sert su bağlantısı	93
Tahliye valfi.....	93
Dozaj pompası bağlantıları	94
Opsiyonlar/Sonradan satın alınabilen aksesuarlar.....	95
Ödeme Ünitesi Montaj Kiti (BSK)	95
Azami Yük Kapatması Montaj Kiti (BSS)	95
XKM RS232 İletişim Modülü.....	96
Buhar ve Köpük Tahliyesi Montaj Kiti (APWM 063)	96
Montaj	97
Kurulum (dolaylı buharlı ısıtma)	97
Kurulum (doğrudan buharla ısıtma)	99
Kurulum	101
Ölçüler.....	101
Zemine tespit, Standart.....	102
Zemine tespit, SOM	102
Teknik veriler	103
Gerilim alternatifleri ve elektrik verileri.....	103
Potansiyel dengelemesi bağlantısı	103
Buhar bağlantısı	103
Su bağlantıları	104
Soğuk su bağlantısı.....	104
Sıcak su bağlantısı	104
Sert su bağlantısı	104
Yoğuşma suyu bağlantısı (sadece dolaylı buharla ısıtmada).....	104
Atık su (tahliye valfi)	104
Standart bir program için ortalama su tüketimi (60° renkliler)	104
Tespit	104
Tespit malzemeleri.....	104
Cihaz emisyonları	105
Cihaz verileri.....	105
Nakliye verileri.....	105

Güvenlik talimatlarına ve makinedeki uyarı bilgilerine ilişkin açıklama

	Kullanım kılavuzunu okuyunuz
	Dikkat; Sıcak yüzeyler
	Dikkat; 1000 Volt'a varan gerilim
	Koruyucu topraklama
	Potansiyel dengeleme

Kurulum şartları

Çamaşır makinesi sadece Miele yetkili servisi ya da yetkili bir bayinin eğitimli personeli tarafından kurulmalıdır.

► Çamaşır makinesinin kurulumu geçerli kurallara ve standartlara uygun olarak gerçekleştirilmelidir. Ayrıca yerel elektrik tedarikçisinin ve su idaresinin yönetmelikleri de dikkate alınmalıdır.

► Çamaşır makinesini daima, sadece yeterli havalandırmaya sahip ve don tehlikesi olmayan mekanlarda çalıştırınız.

Çamaşır makinesi patlama tehlikesi olan mekanlarda çalıştırılmaya uygun değildir.

Genel işletim koşulları

Bu çamaşır makinesi sadece endüstriyel alanda kullanım için öngörülmüştür ve sadece iç mekanlarda çalıştırılmalıdır.

- Ortam sıcaklığı: 0-40 °C
- Bağıl nem: yoğuşmasız
- Deniz seviyesinin üstünde azami kurulum yüksekliği: 2000 m

Kurulum yerinin özelliklerine bağlı olarak ses veya titreşim aktarımı söz konusu olabilir.

Faydalı bilgi: Yüksek ses yalıtımı gereklilikleri söz konusuysa cihazın kurulum yerinin bir uzman tarafından ses yalıtımına yönelik olarak değerlendirilmesini sağlayınız.

Kurulum

Çamaşır makinesini kurulum yerine bir forklift ile taşıyınız ve nakliye ambalajını çıkarınız.

Çamaşır makinesi, asgari olarak belirtilen zemin yüküne dayanıklı tamamen düz, yatay ve sağlam bir yüzey üzerine kurulmalıdır (bkz. "Teknik veriler" bölümü).

Faydalı bilgi: En uygun kurulum yüzeyi beton bir zemindir. Bu tür bir zemin tahta döşemelerin veya “yumuşak” döşemelerin aksine sıkma işlemi sırasında ender olarak titreşime girer.

Çamaşır makinesinden kaynaklanan zemin yükü, cihazın bulunduğu alanda zemine yüzey yükü uygular.

Çalışma sırasındaki dinamik cihaz hareketleri dolayısıyla çamaşır makinesi yanlardan en az 50 mm mesafeye ihtiyaç duyar. Cihaz arka yüzünden arka duvara kadar olan mesafe en az 400 mm olmalıdır.

Çamaşır makinesi halı zemin üzerine yerleştirilmemelidir.

Çamaşır makinesini, teslimat kapsamında yer alan tespit malzemeleriyle öngörülen sabitleme noktalarından zemine sabitleyiniz.

Cihazla birlikte verilen tespit malzemesi beton zemin üzerine dübelli tespite yöneliktir. Kurulum yerinde başka zemin yapıları mevcutsa, uygun tespit malzemeleri uygulayıcı tarafından temin edilmelidir.

Elektrik bağlantısı

Elektrik bağlantısı, sadece mevcut standartlara ve elektrik tesisatı yönetmeliklerine uyulmasından tam olarak sorumlu ve eğitimli bir elektrikçi tarafından gerçekleştirilmelidir.

- Çamaşır makinesi sadece ulusal ve yerel şartlara uygun olarak gerçekleştirilmiş bir elektrik şebekesine bağlanmalıdır. Ayrıca yetkili elektrik şirketinin ve sigorta şirketinin yönetmeliklerinin yanı sıra kaza önleme yönetmeliklerine ve kabul gören teknoloji kurallarına da uyulmalıdır.
- Gerekli şebeke gerilimi, enerji tüketimi ve harici koruma şartları çamaşır makinesinin tip etiketinde belirtilmiştir. Kurutma makinesi elektrik şebekesine bağlanmadan önce elektrik şebekesinin gerilim değerlerinin tip etiketinde belirtilen gerilim değerleriyle uyduğundan emin olunuz.

Tip etiketinde belirtilenden farklı bir şebeke gerilimine bağlantı durumunda çamaşır makinesinde fonksiyon bozuklukları veya arıza meydana gelebilir.

Tip etiketinde birden fazla gerilim değeri verilmişse çamaşır makinesi belirtilen gerilim değerlerine bağlantı için dönüştürülebilir.

- Gerilim dönüştürme işlemi sadece Miele yetkili servisi ya da yetkili bayi tarafından gerçekleştirilmelidir. Bu işlem sırasında, elektrik bağlantılarının değiştirilmesine dair devre şemasında belirtilen talimatlara uyulmalıdır.

Çamaşır makinesi ya sabit bir bağlantı ya da IEC 60309-1'e uygun bir fiş tertibatı üzerinden bağlanabilir. Sabit bağlantı için kurulum yerinde tüm kutuplar için bir şebeke yalıtım tertibatı tesis edilmiş olmalıdır.

Şebeke yalıtım tertibatı olarak en az 3 mm kontak açıklığına sahip anahtarlar kullanılabilir. Buna devre kesiciler, sigortalar ve röleler dahildir (IEC/EN 60947).

Elektrik beslemesi yalıtımı, erişilebilen her yerden ve her daim gözetim altında olamıyorsa, şebeke yalıtım tertibatı (fiş donanımı dahil) yanlışlıkla ve yetkisiz açılmaya karşı emniyet altına alınmalıdır.

Faydalı bilgi: Elektrik güvenliği kontrollerinin (örneğin bir bakım sırasında) daha kolay gerçekleştirilebilmesi için çamaşır makinesinin fiş tertibatı üzerinden bağlanmasını sağlayın.

► Yerel yönetmelikler uyarınca bir kaçak akım devre kesici (RCD) tesis edilmesi gerekiyorsa, B tipi bir kaçak akım devre kesici kullanılmalıdır. A Tipi mevcut kaçak akım devre kesici (RCD) B tipi bir RCD ile değiştirilmelidir.

Daima ulusal tesisat kurallarına uygun olan, iyi bir kontak bağlantısına sahip bir potansiyel dengelemesi oluşturulmalıdır.

Potansiyel dengelemesi için gerekli aksesuarlar teslimat kapsamına dahil değildir.

Su bağlantısı

İsviçre için bilgi

SIA 385.351/EN 1717 standardı ve SVGW (İsviçre Gaz ve Su Teknolojisi Birliği) tavsiyesi uyarınca bir geri akış önleyici monte edilmelidir. Standartlara uygun bir geri akış önleyiciyi sıhhi tesisatçıınızdan temin edebilirsiniz.

Avusturya için yönetmelik

Cihazdaki bağlantı yeri ile bina tesisatını birleştiren bağlantı hattı için sadece Avusturya Su ve Kanalizasyon İdaresi Kanunu'nun (Wasserversorgungsgesetz 1960) uygulanmasına ilişkin yönetmeliğin 12. Maddesi 1. Bendinde belirtilen borular kullanılabilir.

Bina tesisatı ile cihaz arasındaki basınç bağlantı hattı olarak kauçuk veya plastik hortumların kullanılmasına, ancak aşağıda belirtilen durumlarda müsaade edilir:

- Entegre edilmiş bağlantı armatürleri dahil asgari 1500 kPa (15 bar) sürekli basınca karşı dayanıklı olmaları gereklidir
- Cihazın işleme alınması sırasında yeterli derecede gözetim altında tutulmaları gereklidir
- Cihaz kullanıldıktan sonra kauçuk veya plastik hortum, öncesinde su girişi kapatılarak güvenilir şekilde kullanım dışı bırakılmaları veya bina tesisatından ayrılmaları gereklidir.

Soğuk su bağlantısı

Soğuk su bağlantısı için $\frac{3}{4}$ " dıştan dişli 1 adet su musluğu gerekir.

Soğuk su besleme hortumu (mavi çizgili) sıcak su bağlantısına uygun değildir.

Sıcak su bağlantısı

Sıcak suyla işletim sırasında enerji tüketimini mümkün olduğunca düşük tutmak için, çamaşır makinesi bir sıcak su sirkülasyon devresine bağlanmalıdır.

Sıcak su üreticine giden münferit borular, sürekli kullanılmadıklarında boruda bulunan suyun soğumasına yol açarlar. Bu durumda yıkama suyunun ısıtılması için daha fazla enerji harcanması gerekir.

Sıcak su bağlantısı için cihazla birlikte verilen besleme hortumunu kullanınız (kırmızı çizgili).

Makineye giren sıcak su en fazla 70 °C olmalıdır.

Sıcak su hattı mevcut değilse, sıcak su besleme hortumu da soğuk su kaynağına bağlanmalıdır. Bu durumda ek bir Y-parçası gerekir. Çamaşır makinesinin su gereksinimi bu durumda gerekli sıcak su miktarı kadar artar.

İşlevsel ve yöneme ilişkin sebeplerle, tek başına sıcak suyla işletim mümkün değildir.

Çamaşır makinesi sıcak su bağlantısı olsa bile bir soğuk su besleme hattına bağlanmalıdır.

Sert su bağlantısı

Sert veya yoğun kireç içeren su bağlantısı. Sert su bağlantısı için soğuk su bağlantısıyla aynı bağlantı koşulları geçerlidir.

Uygulama yerinde sert su bağlantısı mevcut değilse, hortum soğuk su bağlantısına bağlanmalıdır.

Tahliye valfi

Tahliye valfli çamaşır makinelerinde yıkama suyu tahliyesi, motorla çalışan bir valf üzerinden gerçekleşir. Tahliye valfi piyasada mevcut HT DN 70 dirsek rakor üzerinden doğrudan atık su sistemine (sifonsuz olarak) veya bir zemin giderine (koku tutuculu atık su yolu) bağlanabilir.

İdeal kapama mekanizması ve büyütülmüş tahliye kesiti sayesinde büyük kirlerde dahi neredeyse hiç birikme ve tıkanıklık oluşmaz. Yıkama suyu haznesinin elektrik kesintisinde de boşaltılabilmesi için, tahliye valfi istisnai durumlara yönelik olarak bir manüel kumanda tertibatı ile donatılmıştır.

Sorunsuz bir tahliye için havalandırmalı bir boru gerekir.

Birden fazla cihaz tek bir toplayıcı boruya bağlanacaksa, toplayıcı borunun tüm cihazların aynı anda çalıştırılmasına uygun bir kesite sahip olması gerekir.

HT DN 70 boruların havalandırması için 05 238 090 malzeme numaralı uygun Miele montaj setini Miele yetkili servisinden veya Miele bayiinden edinebilirsiniz.

Çok yüksek çıkış akışı durumunda, çamaşır makinesinin tahliye sisteminde vakum oluşmaması için bir boru havalandırması öngörülmelidir.

Su tahliyesinde aksaklık olması veya atık suyun (küçük boru kesiti dolayısıyla) çamaşır makinesine geri kaçması durumunda program akışında sorunlar çıkabilir ve bu da cihazda hata bildirimlerine sebep olur.

⚠ Dışarı akan yıkama suyunun sıcaklığı 95 °C'ye varabilir. Yanık tehlikesi söz konusudur!

Doğrudan temastan kaçınınız.

Sadece Almanya için

İçme suyunu korumak için musluk ile çamaşır makinesinin su bağlantısı arasına bir geri akış önleyici monte edilmiş olmalıdır. Binanın su tesisi doğru bir şekilde yapıldıysa bu amaç için öngörülmüş olan bağlantılar (örneğin açılı valf) bu güvenlik donanımına sahiptir. Bina su tesisatınızda bir geri akış önleyici olduğundan emin olunuz.

Ayrı bir geri akış önleyici kullanılması durumunda aşağıdaki sırayı izleyiniz:

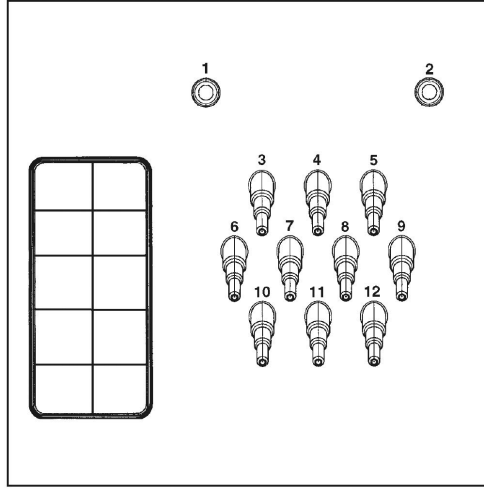
1. Geri akış önleyiciyi su bağlantısına takınız.
2. Su giriş hortumunu geri akış önleyiciye takınız.

⚠ Kirli su beslemesi sonucu sağlık tehdidi ve hasar riski.
Giren suyun kalitesi çamaşır makinesinin çalıştırıldığı ülkenin şebeke suyu şartlarına uygun olmalıdır.
Çamaşır makinesini daima şebeke suyuna bağlayınız.

⚠ Vidalı bağlantılar su basıncına tabidir.
Su musluklarını yavaşça açarak bağlantıların sızdırmadığını kontrol ediniz. Gerekirse contanın ve dişli bağlantının düzgün oturmasını sağlayınız.

Dozaj pompası bağlantıları

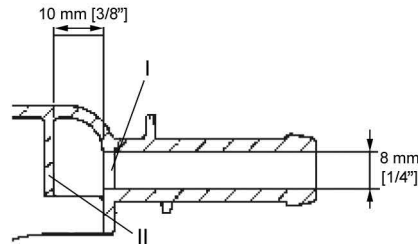
Çamaşır makinesine en fazla 12 adet dozaj pompası bağlanabilir.



Cihazın arka yüzündeki dozaj pompası bağlantıları

1 ve **2** bağlantıları macun dozajı için öngörülmüştür ve ayrıca su girişli yüksek basınç dozaj sistemleri için de kullanılır. Dozaj sistemleri EN 61770 ve EN 1717 standartları uyarınca ayrı bir içme suyu güvenlik donanımına sahip olmalıdır. Azami 300 kPa akış basıncında azami akış hızı 1500 ml/dakikadır.

Bu bağlantı uçları kapalıdır ve bağlantı öncesinde 8 mm matkap ucuyla delinerek açılmalıdır.



İlk panelin sadece 10 mm arkasında bir saptırma paneli (II) bulunduğundan sadece ilk panelin (I) delinmesine izin verildiğini dikkate alınız.

3 ila **12** bağlantıları sıvı deterjan için öngörülmüştür. Bu bağlantılara su girişli yüksek basınç dozaj sistemleri bağlanmamalıdır. Bağlantı uçları kapalıdır ve bağlanmadan önce küçük bir testere ile hortum çapında kesilmelidir.

Açılan bağlantı uçları daha fazla kullanılmayacağına, uygun bir sızdırmazlık maddesi (ör. silikon) ile tekrar kapatılmalıdır.

Çoklu fonksiyon modülü olmadan çalıştırılabilen beş adet zaman kontrollü dozaj pompasına yönelik bağlantı klemensleri elektrik bağlantısının yanındaki kapağın arkasında bulunur.

Opsiyonel bir çoklu fonksiyon modülü ile donatılmış çamaşır makinelerinde, dozaj pompalarının kalibrasyonu ve dozaj miktarlarının kontrolü kısmen otomatik olarak gerçekleştirilir. Ayarlara ilişkin bilgileri Kullanım Kılavuzunda bulabilirsiniz.

Dozaj miktarının kesin olarak belirlenmesi için alternatif olarak bir akış ölçer veya akış sensörü de bağlanabilir.

Kullanılan her bir dozaj maddesi için boş kap takibine yönelik bağlantılar mevcuttur.

Opsiyonlar/Sonradan satın alınabilen aksesuarlar

Sadece Miele tarafından açık bir şekilde onaylanmış aksesuarlar cihaza monte edilebilir veya takılabilir.

Başka aksesuarların monte edilmesi veya takılması halinde garanti, performans ve/veya ürün sorumluluğu talepleri geçersiz olur.

Ödeme Ünitesi Montaj Kiti (BSK)

Çamaşır makinesi isteğe bağlı ödeme ünitesi montaj kiti (BSK) vasıtasıyla bir ödeme sistemi ile donatılabilir (ör. çamaşırhanelerde kullanım için). Bunun için Miele yetkili servisinin çamaşır makinesi elektroniğinde bir ayar programlaması ve ödeme ünitesini bağlaması gerekir. Sonradan satın alınabilir Miele aksesuarı olarak özel hedef gruplara yönelik mekanik ve elektronik madeni para doğrulayıcı ödeme üniteleri mevcuttur.

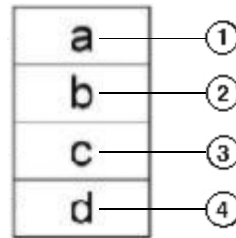
Bağlantı için gerekli programlama işlemi sadece Miele yetkili servisi veya Miele bayii tarafından gerçekleştirilmelidir. Ödeme ünitesinin bağlantısı için harici güç kaynağına gerek yoktur.

Azami Yük Kapatması Montaj Kiti (BSS)

Çamaşır makinesi isteğe bağlı Azami Yük Kapatması Montaj Kiti (BSS) vasıtasıyla bir enerji yönetimi sistemine bağlanabilir.

Azami yük kapatması, münferit üniteleri kısa süreliğine devre dışı bırakmak ve bu şekilde yük sınırının geçilmesini önlemek üzere, enerji tüketimini takip eder. Bu takip harici bir kumanda üzerinden gerçekleşir.

Kit vasıtasıyla bir klemens üzerinden üç sinyal kontağına ve bir nötr hatta sahip olunur. Bu klemens "a", "b", "c" ve "d" ile işaretlenmiştir:



① Çıkış sinyali, cihazların işletimini başlatma

- ② Çıkış sinyali, cihazların ısıtma talebi
- ③ Azami yük giriş sinyali, cihaz ısıtmayı açar
- ④ Nötr hat

Azami yük fonksiyonu etkinleştirildiğinde, çalışmakta olan program durdurulur ve bununla ilgili bir uyarı çamaşır makinesinin ekranında görüntülenir. Azami yük fonksiyonu sona erdikten sonra programa otomatik olarak devam edilir.

XKM RS232 İletişim Modülü

İsteğe bağlı olarak edinilebilir İletişim Modülü XKM RS 232 vasıtasıyla çamaşır makinesi RS-232 seri veri arayüzü ile donatılabilir. Bu iletişim modülü sadece ilgili modül slotu ile donatılmış Miele Professional cihazlarında kullanıma yöneliktir.

XKM RS232 iletişim modülü üzerinden sağlanan arayüz EN 60950 tarafından öngörülen SELV'ye (çok düşük güvenlik gerilimine) uygundur.

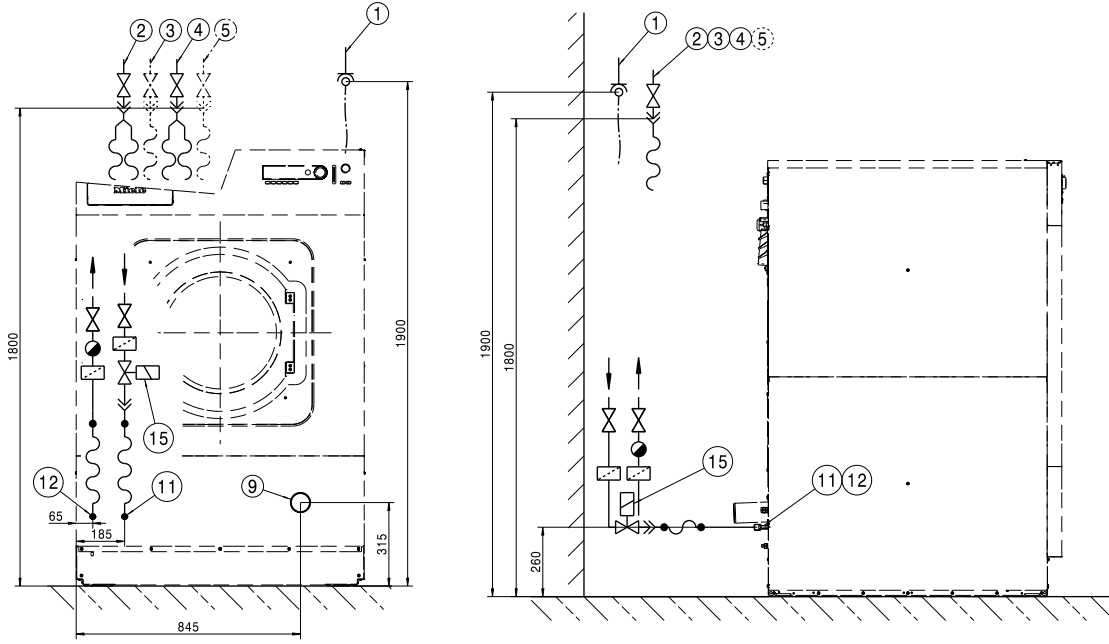
Veri arayüzüne sadece SELV'ye uygun cihazlar bağlanabilir.

XKM RS 232 iletişim modülü bağlantı kablosu ve bir adet D-sub konektörü ile birlikte tedarik edilir.

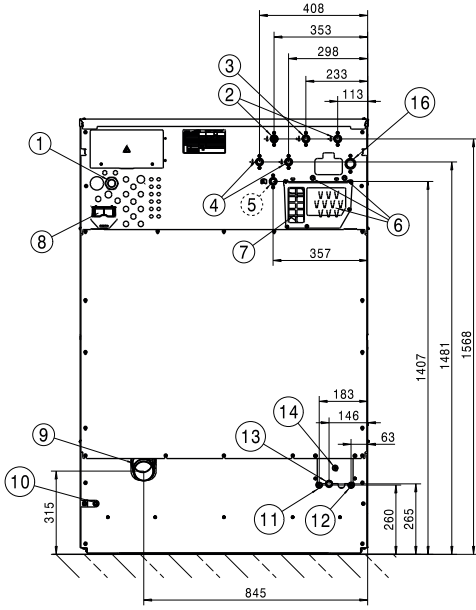
Buhar ve Köpük Tahliyesi Montaj Kiti (APWM 063)

Çok fazla köpük oluşması durumunda buhar çıkışından köpük çıkabilir. Köpüğü tahliye etmek için isteğe bağlı Buhar ve Köpük Tahliyesi Montaj Kiti kullanılabilir.

Kurulum (dolaylı buharlı ısıtma)

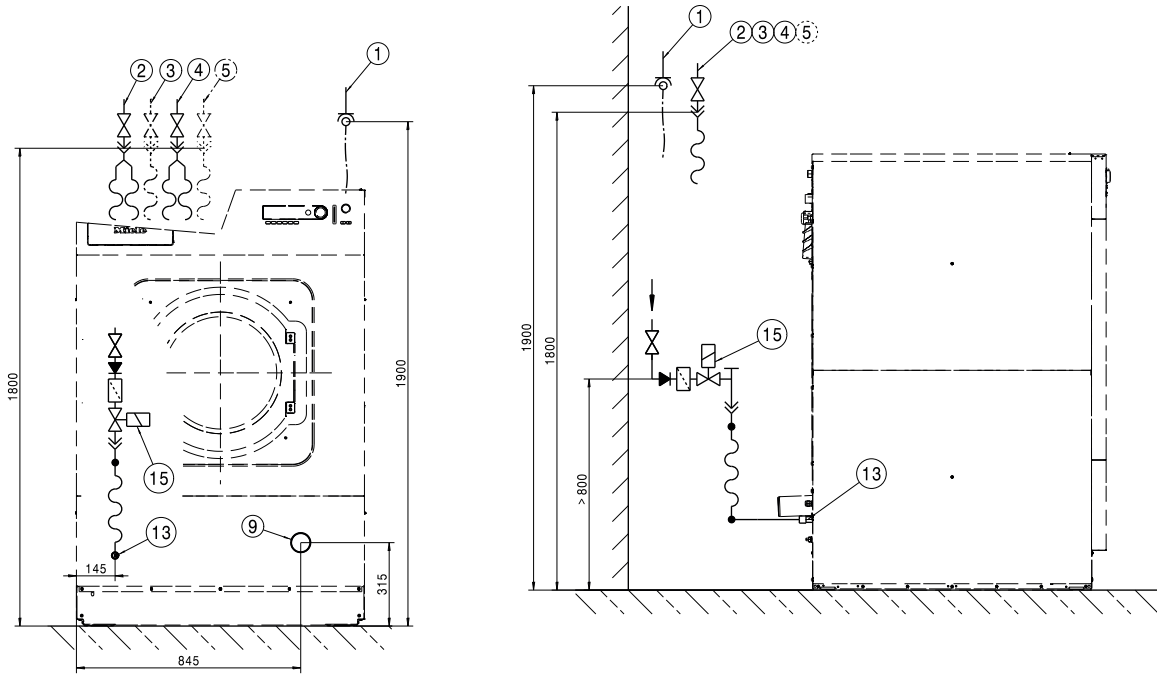


- | | |
|---|---|
| ① Elektrik bağlantısı | ⑨ Boşaltma borusu |
| ② Soğuk su bağlantısı | ⑩ Potansiyel dengelemesi bağlantısı |
| ③ Sıcak su bağlantısı | ⑪ SI bağlantısı, giriş (dolaylı buhar), sadece SI |
| ④ Soğuk su bağlantısı (alternatif sert su bağlantısı) | ⑫ SI bağlantısı, çıkış (dolaylı buhar), sadece SD |
| ⑤ Sıvı dozajlama için soğuk su bağlantısı (opsiyonel) | ⑬ SD bağlantısı (doğrudan buhar), sadece SD |
| ⑥ Dozaj pompası bağlantıları | ⑭ Buhar valfi bağlantısı, sadece SI/SD |
| ⑦ Taşma | ⑮ Buhar valfi, sadece SI/SD |
| ⑧ İletişim bağlantısı | |

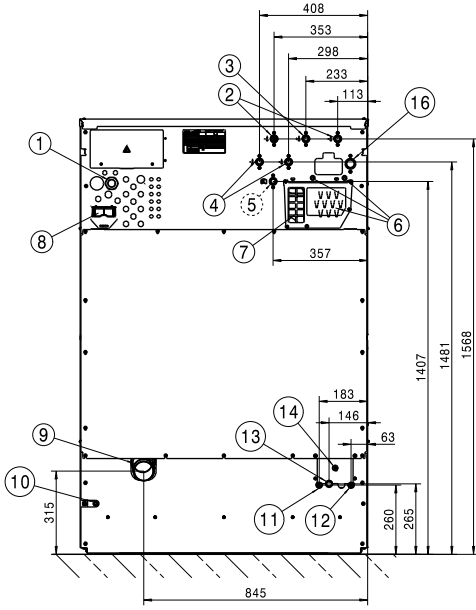


- ① Elektrik bağlantısı
- ② Soğuk su bağlantısı
- ③ Sıcak su bağlantısı
- ④ Soğuk su bağlantısı (alternatif sert su bağlantısı)
- ⑤ Sıvı dozajlama için soğuk su bağlantısı (opsiyonel)
- ⑥ Dozaj pompası bağlantıları
- ⑦ Taşma
- ⑧ İletişim bağlantısı
- ⑨ Boşaltma borusu
- ⑩ Potansiyel dengelemesi bağlantısı
- ⑪ SI bağlantısı, giriş (dolaylı buhar), sadece SI
- ⑫ SI bağlantısı, çıkış (dolaylı buhar), sadece SI
- ⑬ SD bağlantısı (doğrudan buhar), sadece SD
- ⑭ Buhar valfi bağlantısı, sadece SI/SD
- ⑮ Buhar valfi, sadece SI/SD
- ⑯ Su geri kazanımı için bağlantı (opsiyonel)

Kurulum (doğrudan buharla ısıtma)

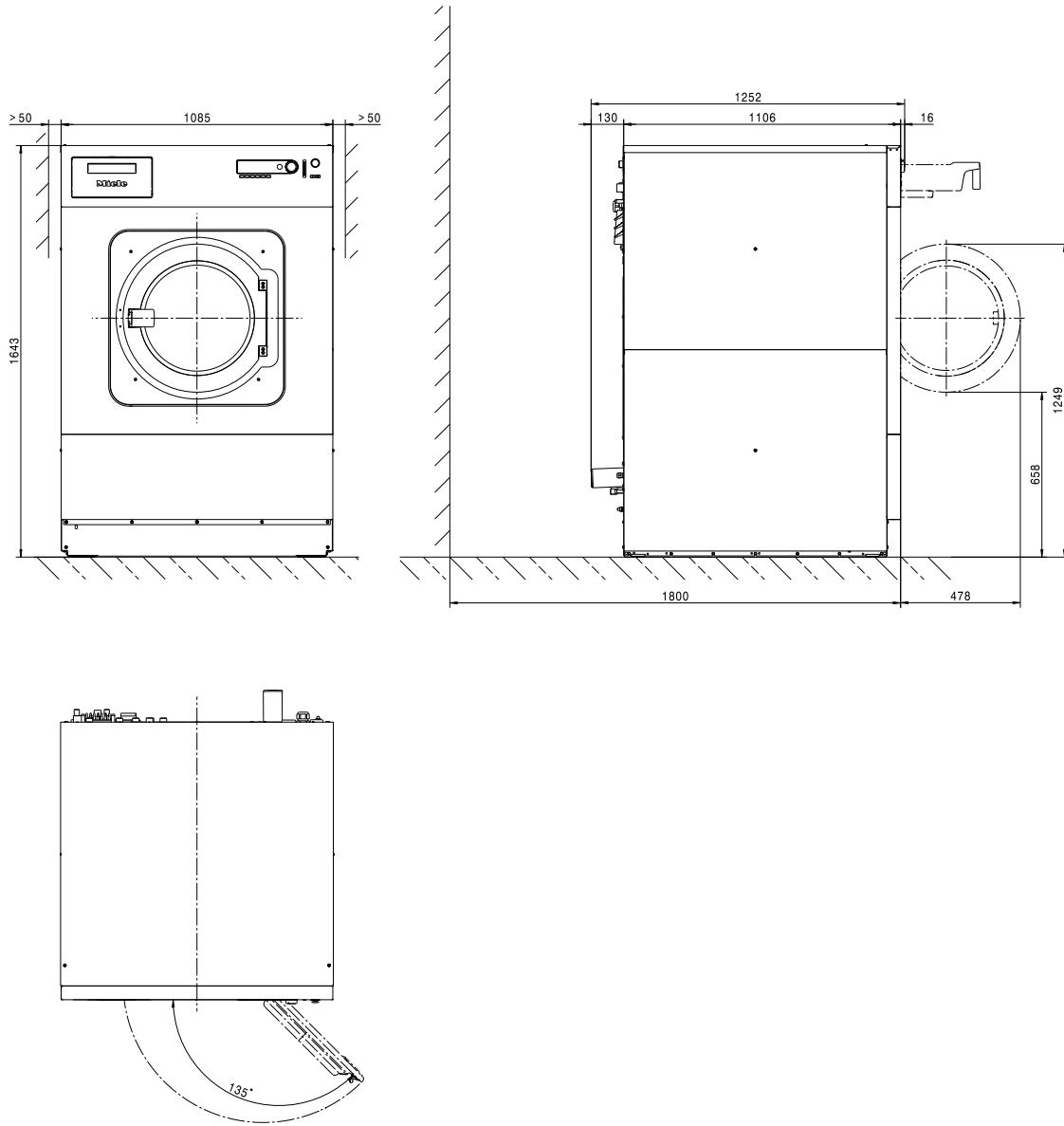


- | | |
|---|---|
| ① Elektrik bağlantısı | ⑨ Boşaltma borusu |
| ② Soğuk su bağlantısı | ⑩ Potansiyel dengelemesi bağlantısı |
| ③ Sıcak su bağlantısı | ⑪ SI bağlantısı, giriş (dolaylı buhar), sadece SI |
| ④ Soğuk su bağlantısı (alternatif sert su bağlantısı) | ⑫ SI bağlantısı, çıkış (dolaylı buhar), sadece SD |
| ⑤ Sıvı dozajlama için soğuk su bağlantısı (opsiyonel) | ⑬ SD bağlantısı (doğrudan buhar), sadece SD |
| ⑥ Dozaj pompası bağlantıları | ⑭ Buhar valfi bağlantısı, sadece SI/SD |
| ⑦ Taşma | ⑮ Buhar valfi, sadece SI/SD |
| ⑧ İletişim bağlantısı | |

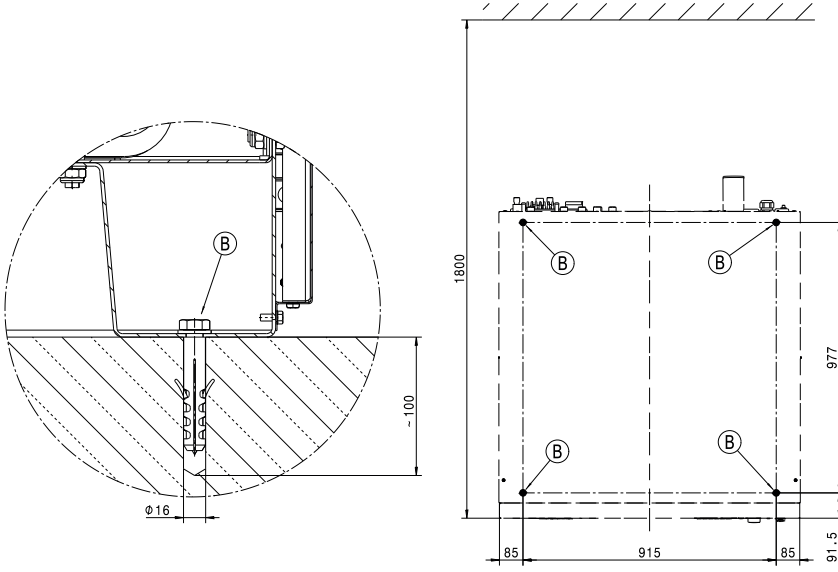


- ① Elektrik bağlantısı
- ② Soğuk su bağlantısı
- ③ Sıcak su bağlantısı
- ④ Soğuk su bağlantısı (alternatif sert su bağlantısı)
- ⑤ Sıvı dozajlama için soğuk su bağlantısı (opsiyonel)
- ⑥ Dozaj pompası bağlantıları
- ⑦ Taşma
- ⑧ İletişim bağlantısı
- ⑨ Boşaltma borusu
- ⑩ Potansiyel dengelemesi bağlantısı
- ⑪ SI bağlantısı, giriş (dolaylı buhar), sadece SI
- ⑫ SI bağlantısı, çıkış (dolaylı buhar), sadece SD
- ⑬ SD bağlantısı (doğrudan buhar), sadece SD
- ⑭ Buhar valfi bağlantısı, sadece SI/SD
- ⑮ Buhar valfi, sadece SI/SD
- ⑯ Su geri kazanımı için bağlantı

Ölçüler



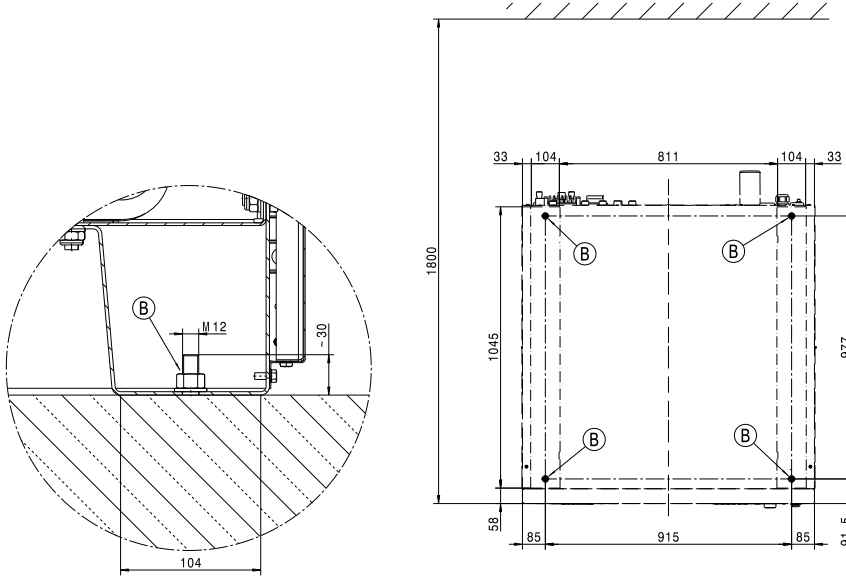
Zemine tespit, Standart



Ölçüler milimetre olarak verilmiştir

Ⓑ Cıvata/tespit noktası

Zemine tespit, SOM



Ölçüler milimetre olarak verilmiştir

Ⓑ Cıvata/tespit noktası

Gerilim alternatifleri ve elektrik verileri

	Standart:	Aşağıda belirtilen için değiştirilebilir:
Bağlantı gerilimi	3N AC 380-415V	3N AC 380-415V
Frekans	50 Hz	60 Hz
Güç tüketimi	6,1 kW	6,1 kW
Sigorta (kurulum yerinde)	3 x 16 A	3 x 16 A
Güç kablosu asgari kesiti	4 x 1,5 mm ²	4 x 1,5 mm ²
Kablo rakoru	M16 x 1,5 mm	M16 x 1,5 mm
Bağlantı gerilimi		3 AC 400V
Frekans		60 Hz
Güç tüketimi		6,1 kW
Sigorta (kurulum yerinde)		3 x 16 A
Güç kablosu asgari kesiti		4 x 1,5 mm ²
Kablo rakoru		M16 x 1,5 mm

Elektrik güvenliği kontrollerinin kolayca gerçekleştirilebilmesi için Miele, cihazın IEC 60309 ve IEC 60947 standardına uygun, tüm kutuplarla kapatılabilen ve kilitlenebilen bir duvar prizine bağlanmasını tavsiye eder.

Sabit bağlantı durumunda IEC 60947 uyarınca bir devre kesici monte edilmelidir.

Duvar prizi veya devre kesici, cihazın kurulumundan sonra da her zaman erişilebilir olmalıdır.

Miele, güvenliğin artırılması için cihazdan önce bir kaçak akım rölesinin (RCD) bağlanmasını tavsiye eder. Sadece tüm akımlara duyarlı kaçak akım rölesi kullanınız (tip B).

Potansiyel dengelemesi bağlantısı

Cihazdaki dıştan dişli bağlantı parçaları	10 mm x 30 mm (3/8" x 1 3/16")
Pul ve somunlar için boyut	M 10

Daima ulusal tesisat kurallarına uygun olan, iyi bir kontak bağlantısına sahip bir potansiyel dengelemesi oluşturulmalıdır.

Buhar bağlantısı

Dolaylı buharlı ısıtma

Buhar aşırı basıncı	400–1.000 kPa
Kaynama sıcaklığı	152–184 °C
Isıtma gücü (tasarlanmış güç)	50 kW
Kütleli debi (tasarlanmış güç)	84 kg/sa.
Bağlantı dişlisi (kurulum yeri)	½" içten dişli

Buhar solenoid valfi, kir filtresi ve buhar kesme vanası kurulum yerinde tesis edilmelidir. Buhar ısıtmalı cihazlar için kurulum talimatlarını dikkate alınız.

Doğrudan buharlı ısıtma

Buhar aşırı basıncı (yüksek basınç)	≤ 400 kPa
Kaynama sıcaklığı (yüksek basınç)	≤ 152 °C
Isıtma gücü (yüksek basınç tasarlanmış güç)	86 kW
Kütleli debi (yüksek basınç tasarlanmış güç)	140 kg/sa.
Buhar aşırı basıncı (düşük basınç)	≤ 50 kPa
Kaynama sıcaklığı (düşük basınç)	≤ 120 °C
Isıtma gücü (düşük basınç tasarlanmış güç)	29 kW
Isıtma gücü (düşük basınç tasarlanmış güç)	45 kg/sa.
Bağlantı dişlisi (kurulum yeri)	¾" içten dişli

Buhar solenoid valfi, kir filtresi ve buhar kesme vanası kurulum yerinde tesis edilmelidir. Buhar ısıtmalı cihazlar için kurulum talimatlarını dikkate alınız.

tr - Teknik veriler

Su bağlantıları

Soğuk su bağlantısı

Gerekli akış basıncı	100–1000 kPa (1–10 bar)
Maksimum hacimsel debi (sıcak su ve sert su beslemesi mevcut olmadığında)	74 (79,5*) l/min
Maksimum hacimsel debi	26 (31,5*) l/min
Gerekli bağlantı dişlisi (dıştan dişli, DIN 44991 uyarınca uygulayıcıya ait, düz contalı)	3/4"
Birlikte teslim edilen giriş hortumunun uzunluğu	2 (3*) x 1550 mm
*Sıvı dozajlı	

Sıcak su bağlantısı

Müsaade edilen maksimum sıcak su sıcaklığı	70 °C
Gerekli akış basıncı	100–1000 kPa (1–10 bar)
Maksimum hacimsel debi	16 l/min
Gerekli bağlantı dişlisi (dıştan dişli, DIN 44991 uyarınca uygulayıcıya ait, düz contalı)	3/4"
Birlikte teslim edilen giriş hortumunun uzunluğu	1 x 1550 mm

Sert su bağlantısı

Gerekli akış basıncı	100–1000 kPa (1–10 bar)
Maksimum hacimsel debi	32 l/min
Gerekli bağlantı dişlisi (dıştan dişli, DIN 44991 uyarınca uygulayıcıya ait, düz contalı)	3/4"
Birlikte teslim edilen giriş hortumunun uzunluğu	2 x 1550 mm

Yoğuşma suyu bağlantısı (sadece dolaylı buharla ısıtmada)

Yoğuşma suyu bağlantısı bağlantı dişlisi (kurulum yerinde)	½" içten dişli
--	----------------

Yoğuşma suyu seperatörü, kir filtresi ve buhar kesme vanası kurulum yerinde tesis edilmelidir.

Atık su (tahliye valfi)

Azami atık su sıcaklığı	95 °C
Cihazdaki atık su bağlantı ağzı (dış çap)	HT DN 70
Uygulama yerindeki gider (iç çap)	75 x 1,9 x 110 mm (Muffe DN 70)
Maksimum hacimsel debi	200 l/min
Atık su için havalandırılmalı bir toplama borusu gereklidir. Birden fazla cihaz tek bir toplama borusuna bağlanacaksa, toplama borusunun uygun boyutta olması gerekir.	

Standart bir program için ortalama su tüketimi (60° renkliler)

Soğuk su – yumuşak	59 l/sa.
Sert su bağlantısı olmadığında	127 l/sa.
Sıcak su – yumuşak	121 l/sa.
Soğuk su – sert	68 l/sa.

Tespit

Tespit malzemeleri

4 adet DIN 571 ahşap vidası (Ø x uzunluk)	12 mm x 90 mm
4 adet dübel (Ø x uzunluk)	16 mm x 80 mm
Cihazın tespit edilmesi mutlak şekilde gereklidir.	
Yüzer şap için tespit malzemeleri kurulum yerinde hazır bulundurulmalıdır.	

Cihaz emisyonları

Kurulum yerine verilen ortalama ısı	4,7 MJ/h
Çalışma yerindeki emisyon ses basınç seviyesi	78 dB(A) re 20 µPa
Yıkama işleminde ses gücü seviyesi	60,3 dB (A) re 1 pW
Sıkma işleminde ses gücü seviyesi	82,2 dB (A) re 1 pW

Cihaz verileri

Cihaz genişliği	1085 mm
Cihaz yüksekliği	1643 mm
Cihaz derinliği	1106 mm
Toplam cihaz genişliği	1089 mm
Toplam cihaz yüksekliği	1646 mm
Toplam cihaz derinliği	1252 mm
Yerleştirme yeri genişliği (iç genişlik)	1185 mm
Tavsiye edilen duvar mesafesi (cihazın ön kenarına kadar)	1800 mm
Net ağırlık	640 kg
İşletim sırasında azami zemin yükü	8417 N
Maksimum statik yük	7063 N
Maksimum dinamik yük	1353 N
Azami kazan dönüş frekansı	18,3 Hz

Tesisatlar, sadece sertifikalı tesisatçılar tarafından geçerli yönetmeliklere, ilgili yasal esaslara, kazalardan korunma yönetmeliklerine ve geçerli standartlara uygun bir şekilde oluşturulmalıdır.

Nakliye verileri

Ambalaj genişliği	1260 mm
Ambalaj yüksekliği	1710 mm
Ambalaj derinliği	1470 mm
Brüt ağırlık	691 kg

Miele



Miele & Cie. KG
Carl-Miele-Straße 29
33332 Gütersloh
Germany
Telefon: 05241 89-0
Internet: www.miele.com/professional