

Miele

Operating and Installation Instructions Vented Dryer

INDUSTRIAL USE ONLY



Always read the operating instructions before setting up, installing, and commissioning the appliance. This prevents both personal injury and damage to the appliance.

Contents

Caring for the environment	7
IMPORTANT SAFETY INSTRUCTIONS	8
Operating the tumble dryer	14
Control panel.....	14
Sensor controls and touch display with sensor controls.....	15
Main menu	15
Examples of how to operate the appliance	16
Operating a laundromat machine	18
Initial commissioning	20
Switching on the tumble dryer	20
Reference to external appliances.....	21
Setting the display brightness	21
Setting the date	21
Selecting program packages.....	22
Completing the commissioning process	23
1. Notes on correct laundry care	24
Washing	24
Drying.....	24
Garment care-label symbols	24
2. Loading the tumble dryer	25
3. Selecting a program	26
Switching on the tumble dryer	26
Selecting a program	26
4. Selecting program settings	27
Main menu for a program.....	27
Selecting the drying level.....	27
Selecting the duration (timed programs)	27
Selecting extra options	28
Low temperature.....	28
Anti-crease	28
5. Starting a program	29
6. End of program – removing the laundry	30
End of program	30
Removing the laundry	30
Observing the care notes	30
Timer	31
Program chart	32
Label	32

Program packages	33
Standard	33
Sport.....	37
Soft furnishings.....	38
Hygiene	39
WetCare.....	40
Flatwork	40
Special programs.....	41
Changing the program sequence	42
Changing a program once it has started	42
Canceling a program	42
Reselecting a canceled program	42
Adding laundry	42
Cleaning and care	43
When to clean.....	43
Cleaning the lint filters	43
Removing the lint filter.....	43
Dismantling the lint filter	44
Cleaning the lint-filter components when dry	44
Cleaning the lint-filter components when wet	44
Cleaning the air-supply area.....	45
Assembling and inserting the lint filter	46
Cleaning the tumble dryer.....	47
Frequently asked questions.....	48
Program cancellation and fault message in the display.....	48
Messages in the display	50
Unsatisfactory drying results.....	51
The drying-cycle duration is very long.....	52
General problems with the tumble dryer.....	53
Customer Service	54
Contact in the event of a fault	54
Optional accessories	54
IMPORTANT SAFETY INSTRUCTIONS.....	56
Installation and connection	58
Front view	58
Rear view	59

Contents

Installation locations.....	60
Side view.....	60
Steel toe-kick.....	60
View from above	60
Washer-dryer stack	60
Transporting the tumble dryer to its installation site	61
Installation.....	63
Leveling the tumble dryer	63
External control equipment	63
Electrical connection	64
Installing the ducting.....	65
General principles concerning exhaust-air management.....	65
General principles concerning the air supply	65
Calculating the total ducting length.....	66
Additional duct lengths (4" [100 mm] rigid pipe only).....	67
Exhaust-air outlets on the back of the tumble dryer.....	68
Sealing the exhaust-air outlets	68
Dimensions of the exhaust-air outlets	68
Installing plug-in pipes.....	69
Example.....	69
Installing flexible hoses	70
Flat ducting.....	70
Examples.....	71
Shared exhaust-air duct	72
Technical data	74
Supervisor level	75
Opening the supervisor level	75
Access via code	75
Change code	75
Demo program.....	75
Closing the settings menu	75

Controls / Display.....	75
Language.....	75
Language entry.....	76
Set languages.....	76
Display brightness.....	76
Clock display.....	77
Date.....	77
Volume.....	77
Res. moisture display.....	77
Visibility parameters.....	77
Display off status.....	78
Machine off status.....	78
Delay start.....	78
Memory.....	79
Temperature unit.....	79
Weight unit.....	79
Logo.....	79
Supervisor code.....	79
Program selection.....	80
Controls.....	80
Program packages.....	81
Favorite programs.....	81
Special programs.....	83
Sort programs.....	84
Program color allocation.....	84
Process technology.....	84
Anti-crease.....	84
Drying levels.....	84
Service.....	84
Clean out the airways.....	84
Clean the filters.....	86
Service interval.....	86

Contents

External applications.....	87
External exhaust flap	87
Additional fan	87
Pressure sensor	87
Peak load signal	88
Peak load prevention.....	88
Select KOM module.....	88
Availability of Miele digital products.....	88
WiFi / LAN	89
Network time.....	90
Remote.....	91
Remote Update.....	91
SmartGrid.....	91
Machine parameters.....	92
Legal Information.....	92

Disposal of the packing material

The cardboard box and packing materials protect the appliance during shipping. They have been designed to be biodegradable and recyclable.

Ensure that any plastic wrappings, bags, etc. are disposed of safely and kept out of the reach of children. Danger of suffocation!

Disposal of your old appliance

Electrical and electronic appliances contain valuable materials. They also contain certain substances, compounds and components which were essential for the proper functioning and safe use of the equipment. Handling these materials improperly by disposing of them in your household waste can be harmful to your health and the environment. Therefore, please do not dispose of your old appliance with regular household waste and follow local regulations on proper disposal.



Consult with local authorities, dealers or Miele in order to dispose of and recycle electrical and electronic appliances. Miele assumes no responsibility for deleting any personal data left on the appliance being disposed. Please ensure that your old appliance is kept away from children until removal. Observe safety requirements for appliances that may tip over or pose an entrapment hazard.

IMPORTANT SAFETY INSTRUCTIONS

WARNING

To reduce the risk of fire, electric shock, or injury to persons when using your appliance, follow basic precautions, including the following:

Machine is intended for industrial use only.

Machine can only be operated under safety supervision.

Machine is not intended for use in public areas or residential homes.

- ▶ It is essential to read all instructions before using the appliance.
- ▶ Risk of Suffocation and Injury from Entrapment:
Do not allow children to play on or in the appliance. Close supervision is necessary when the appliance is used near children.
Always close the door after use to prevent child hazards.
- ▶ Before this appliance is removed for service or discarded, remove the door to the drying compartment.
- ▶ Do not install or use a dryer with visible damage.
- ▶ Do not reach into the dryer if the drum is moving.
- ▶ Do not install or store this appliance where it will be exposed to the weather.
- ▶ Do not tamper with the controls.
- ▶ Do not repair or replace any part of the appliance or attempt any servicing unless specifically recommended in these operating instructions. Repairs to electrical appliances should only be performed by qualified personnel. Incorrectly repaired machines may pose a considerable risk to the user.
- ▶ Do not use replacement parts that have not been recommended by the manufacturer (e.g. parts made at home using a 3D printer).

IMPORTANT SAFETY INSTRUCTIONS

► Important information regarding use of fabric-softener sheets: We do not recommend the use of fabric-softener sheets. Use of fabric-softener sheets can clog the surfaces of the lint filters, extending the drying time and increasing energy consumption. During subsequent cleaning, the plastic and surfaces of the lint filters can be damaged!

The best results are obtained by using liquid fabric softener in the washing machine. Follow the manufacturer's instructions.


If you still wish to use fabric-softener sheets, be sure to follow the cleaning instructions under “Cleaning and care” in the “Cleaning instructions when using fabric-softener sheets” section.

IMPORTANT SAFETY INSTRUCTIONS

▶ Do not place items exposed to cooking oils in your dryer. Items contaminated with cooking oils may contribute to a chemical reaction that could cause a load to catch fire. To reduce the risk of fire due to contaminated loads, the final part of a tumble dryer cycle occurs without heat (cool down period). Avoid stopping a tumble dryer before the end of the drying cycle unless all items are quickly removed and spread out so that the heat is dissipated.

▶ To prevent the risk of fire, the following textiles must not be dried in this dryer:

- items which have not been washed.
- items, such as work-wear, exposed to grease, oils, or other deposits (such as lotions or cosmetics) in your dryer. If these items have not been thoroughly cleaned there is a danger that they may contribute to a chemical reaction that could cause the laundry to ignite when heated even after being removed from the dryer.
- items that have been previously cleaned, washed, soaked or spotted with gasoline, dry-cleaning solvents or other flammable or explosive substances. They may give off vapors that could ignite or explode.
- items treated with flammable cleaning agents or items containing acetone, alcohol, gas, stain remover, wax or chemicals from buffing, etc.
- items which have been splashed with hair spray, nail polish remover, etc.

 When washing heavily soiled items ensure that sufficient detergent is used with a high temperature. If in doubt wash the item several times.

- items containing foam rubber or similarly textured rubber-like materials.
- items with padding or filling (e.g. pillows or jackets) which have been damaged. Loose filling could catch fire.

IMPORTANT SAFETY INSTRUCTIONS

- ▶ Allow the dryer to complete each stage of the program selected, including the cooling down phase. This will ensure that the items being removed are not too hot to handle.
- ▶ Clean the lint filter before or after each load.
- ▶ Keep the area around the air intake (toe kick) and adjacent surrounding areas free from lint, dust and dirt.
- ▶ The interior of the machine should be cleaned periodically by qualified personnel.

▶ GROUNDING INSTRUCTIONS

This appliance must be grounded. In the event of malfunction or breakdown, grounding will reduce the risk of electric shock by providing a path of least resistance for electric current. This appliance is equipped with a cord having an equipment grounding conductor and a grounding plug. The plug must be plugged into an appropriate outlet that is properly installed and grounded in accordance with all local codes and ordinances.

- ▶ **WARNING** – Improper connection of the equipment-grounding conductor can result in a risk of electric shock. Contact a qualified electrician if you are in doubt as to whether the appliance is properly grounded.
- ▶ Temporary or permanent operation on an autonomous power supply system or a power supply system that is not synchronized with the grid power supply (e.g., island networks, back-up systems) is possible. A prerequisite for operation is that the power supply system complies with national and local codes.
The function and operation of the protective measures provided in the domestic electrical installation and in this Miele product must also be maintained in isolated operation or in operation that is not synchronized with the grid power supply, or these measures must be replaced by equivalent measures in the installation.
- ▶ Do not modify the plug provided with the appliance: if it will not fit the outlet, have a proper outlet installed by a qualified electrician.
- ▶ Before installation, disconnect the tumble dryer from the electrical supply by shutting off the power main, unplugging the power cord or tripping the circuit breaker. Do not restore power until the installation is complete.

IMPORTANT SAFETY INSTRUCTIONS

- ▶ Miele Tumble Dryers and Miele Washing Machines can be installed as a washer-dryer stack. This requires a Miele Washer-Dryer Stacking Kit which can be purchased separately. Please ensure that the washer-dryer stacking kit is suitable for the Miele Tumble Dryer and the Miele Washing Machine.
- ▶ If you order a plinth for this tumble dryer (available from Miele as an optional accessory), make sure it is the correct one.
- ▶ The maximum dry laundry weight is 17.6 lb (8 kg) kg. See the “Program chart” for the maximum recommended loads for individual programs.
- ▶ Do not place shoes inside the drum for drying. Placing shoes inside the drum for drying can cause the belt to tear, requiring a service call.
You must always use the dryer basket (optional accessory) when drying/airing shoes. Follow the additional operating instructions for the dryer basket.
- ▶ This tumble dryer is supplied with a special lamp to cope with particular conditions (e.g., temperature, moisture, chemical resistance, abrasion resistance, and vibration). This special lamp must only be used for the purpose for which it is intended. It is not suitable for room lighting. Replacement lamps should only be fitted by a Miele authorized person or by Miele Service.

IMPORTANT SAFETY INSTRUCTIONS

FCC Declaration of Conformity

▶ This appliance complies with Part 15 of the FCC regulations. This appliance has been tested and found to comply with the limits for a Class B digital device, pursuant to Part 15 of the FCC Rules and is subject to the following conditions: This appliance does not cause harmful interference. The appliances may be interconnected as desired.

FCC Radiation Exposure Statement

▶ This appliance complies with FCC RF radiation exposure limits set forth for an uncontrolled environment. These appliances should be installed and operated with a minimum distance of 8" (20 cm) between the radiator and body.

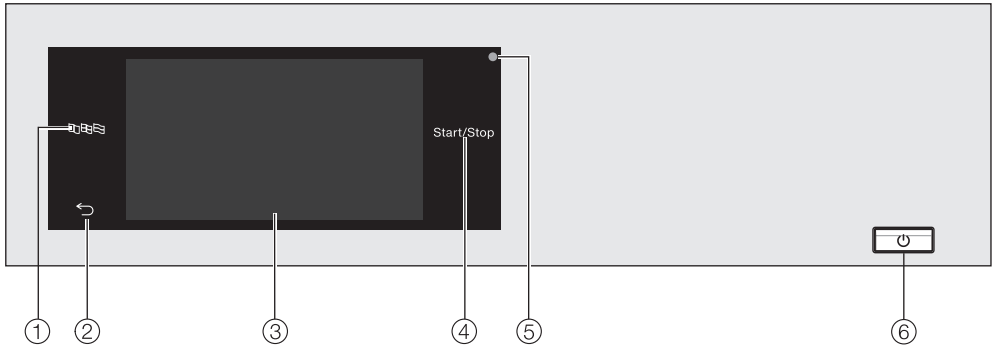
Industry Canada Statement

▶ This digital device does not exceed the Class B limits for radio noise emissions from digital devices specified in the radio regulations of the Canadian Radio-television and Telecommunications Commission. This appliance complies with the Class B specification of the Canadian ICES-003.

SAVE THESE INSTRUCTIONS

Operating the tumble dryer

Control panel



① **Language sensor control**

For selecting the current user language.

The operating language is displayed again at the end of the program.

② **Back sensor control** ↶

Takes you back one level in a menu.

③ **Touch display**

④ **Sensor control *Start/Stop***

For starting the selected drying program and canceling a program once it has started. The program selected can be started as soon as the sensor control starts flashing.

⑤ **Optical interface**



For Technical Service.

⑥ **Button ①**

For switching the tumble dryer on and off. The tumble dryer switches off automatically to save energy. This occurs 15 minutes after the end of the program/anti-crease phase, or after being switched on if no further selection is made.

Operating the tumble dryer

Sensor controls and touch display with sensor controls

The , , and *Start/Stop* sensor controls and the sensor controls in the display react to finger-tip contact. Every touch of a sensor control is confirmed with an audible keypad tone. You can adjust the volume of the keypad tone or switch it off (see “Supervisor level”).


The control panel with sensor controls and the touch display can be scratched by pointed or sharp objects, e.g., pens.

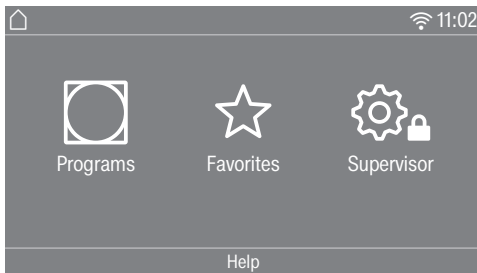
Only touch the display with your fingers.

Main menu

After switching on the tumble dryer, the main menu will appear in the display.

You can access all the important sub-menus from the main menu.

Touch the  sensor control at any time to return to the main menu. Values set previously are not saved.



Programs

For selecting drying programs.


Favorites

For selecting one of 12 favorite drying programs which can be set up and saved by the supervisor (see “Favorite programs” under “Supervisor level”).

Supervisor

You can alter the tumble dryer's electronic to suit changing requirements in the supervisor level (see “Supervisor level”).

Networking

If the tumble dryer is networked, the  symbol indicates the signal strength of the network (SSID) to which it is connected. Touch the symbol to display the name of the network.

Help

You can display help to assist you with the operation of the tumble dryer.

Operating the tumble dryer

Examples of how to operate the appliance

Option lists

Program menu (single-option list)



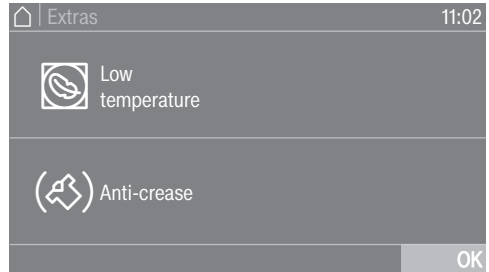
You can scroll to the right or the left by swiping your finger across the screen. To do this, place your finger on the touch display and swipe it in the direction you want.

The orange bar under the pictures shows that there are further options to choose from.

Touch a program name to select the drying program.

The display will change to the standard menu for that program.

Options menu (multiple selection)



Touch one or several *Options* to select it/them.

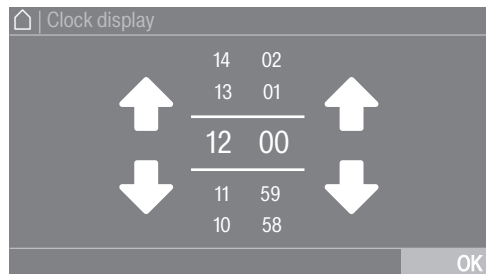
Currently selected *Options* are highlighted in orange.

To deselect an *Option*, simply touch the *Option* again.

Use the OK sensor control to activate all selected *Options*.

Setting numerical values

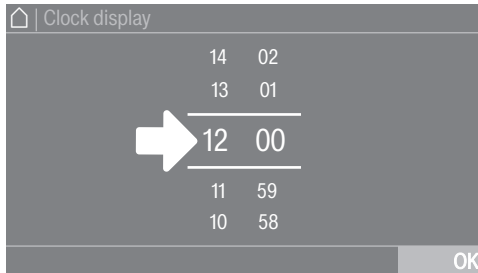
You can set numerical values in some menus.



Enter the numbers by swiping upward or downward. Place your finger on the number that you want to change and move your finger in the direction you want. Use the OK sensor control to accept the set numerical value.

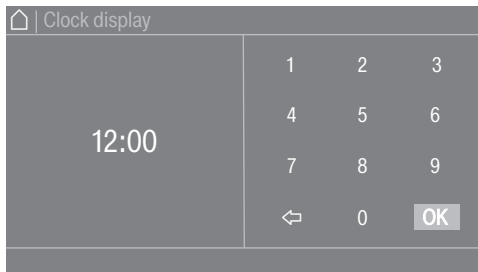
Operating the tumble dryer

Tip: For some settings, depending on the value range and increments, the value can also be set using a numerical keypad. Briefly touching the numbers will bring up the numerical keypad. Once a valid number has been entered, the OK sensor control will be highlighted in green.



- Briefly touch a number between the two lines.

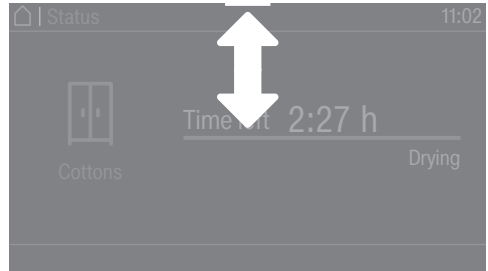
The numerical keypad will appear.



- Touch the numbers and confirm with OK.

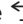
Pull-down menu

The pull-down menu can be used to display information, e.g., about a drying program.



If an orange bar appears at the top of the screen in the middle of the display, you can open the pull-down menu. Touch the bar and drag down with your finger.

Exiting a menu

- Tap the  sensor control to return to the previous screen.

Entries made before this which have not been confirmed with OK will not be saved.

Help display

With some menus, Help appears along the bottom line of the display.

- Touch the Help sensor control to display the text.
- Touch the Close sensor control to return to the previous screen.

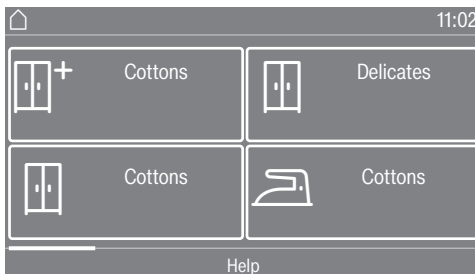
Operating the tumble dryer

Operating a laundromat machine

The entry menu will vary depending on the programming status (see “Controls” under “Supervisor level”).

Shortcuts are the easiest way to operate the machine. Operating staff are unable to change pre-set programs.

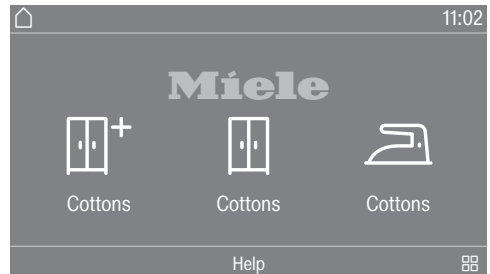
Laundromat, basic




A maximum of 12 and a minimum of 4 programs can be selected.

Depending on the setting at Supervisor level, the programs can be displayed with or without a border.







Laundromat Logo



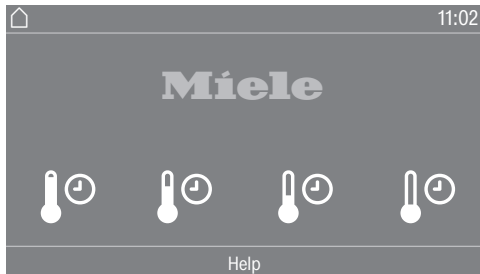
The first 3 programs can be selected directly. Up to 9 more programs can be selected from the list .

Symbols in the display

Drying levels

-  Extra Dry
-  Normal Plus
-  Normal
-  Hand iron plus
-  Hand iron
-  Machine iron

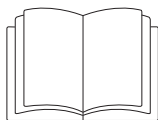
Laundromat Logo int. time



4 time programs with different temperature levels are available.

- 🌡️🕒 Temperature level cold
- 🌡️🕒 Temperature level low
- 🌡️🕒 Temperature level medium
- 🌡️🕒 Temperature level high

Initial commissioning



⚠ Risk of injury or damage to property due to improper installation. Incorrect installation of the tumble dryer can lead to personal injury or damage to property.

Before commissioning the tumble dryer for the first time, make sure it has been installed and connected correctly. Please observe the instructions in “Installation and connection” and “Installing the ducting”.

Follow all the steps required for initial commissioning. During the commissioning process, you will need to define the settings for daily use of the tumble dryer. Some of the settings can only be configured during the initial commissioning process. After that, they must only be changed by Miele Technical Service.

These settings are also described under “Supervisor level”.

Switching on the tumble dryer

- Press the button.

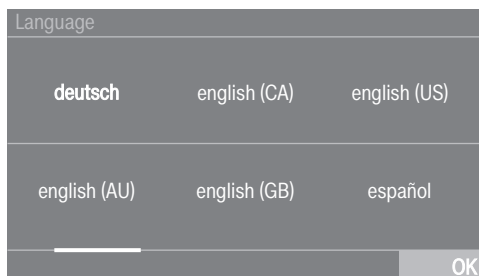
The welcome screen will light up.

Tip: During initial commissioning, you can go back to the previous screen if you need to correct an entry you have already made.

- Touch the sensor control to go back to the previous screen.

Setting the display language

You will be asked to select the display language. You can change the language at any time (see “Language” under “Supervisor level”).



- Scroll to the left or the right until the language you want appears.
- Touch the sensor control for the language you want.

The selected language will be highlighted in orange and the display will change to the next setting.

Reference to external appliances

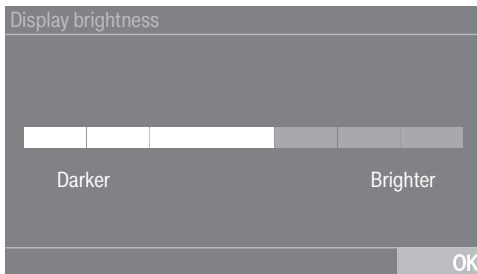
A reference to external hardware appears.

- Confirm with the OK sensor control.

Connect the XCI box accessory unit before using the appliance for the first time. Alternatively, slide a communication module into the slot on the back of the tumble dryer. The tumble dryer must be disconnected from the power supply for this process. Then start the commissioning process.

Setting the display brightness

You will be asked to select the brightness of the display.



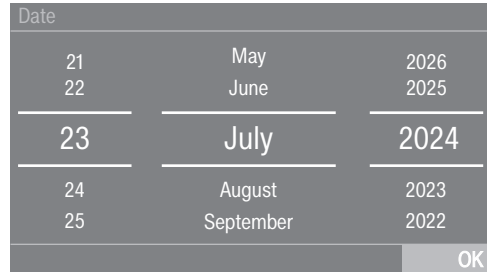
- Touch the segment bars until you reach the required level of brightness.

The selected brightness level will be highlighted in orange.

- Confirm with OK.

The display will change to the next setting.

Setting the date



- Place your finger on the value that you want to change and move your finger in the direction you want.
- Once all values have been selected, confirm with the OK sensor control.

The display will change to the next setting.

Initial commissioning

Confirming the time request

The following question appears in the display:

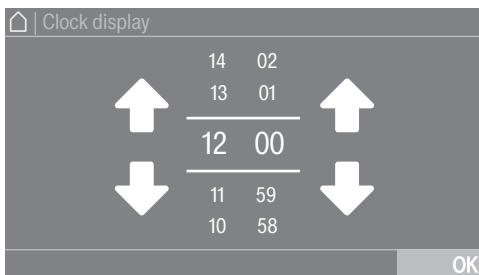
Remove the clock display?

- Touch the Yes or No sensor control.

If you select Yes, the system will skip the Clock display setting.

If you select No, the display will switch to the Clock display setting.

Setting the time



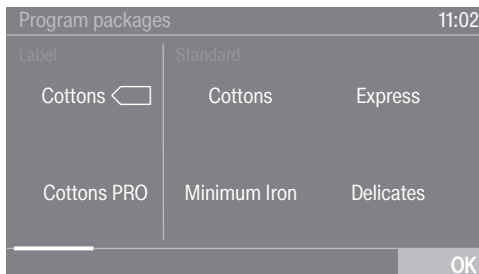
- Place your finger on the number that you want to change and move your finger in the direction you want.
- Confirm with the OK sensor control.

The display will change to the next setting.

Selecting program packages

You can select various programs from the program packages.

Any programs already active are highlighted in orange.



- Scroll right until you reach a program that is not highlighted in orange.
- Touch the sensor control for the required program.

The selected program is highlighted in orange; this means that the program is active.

- You can select further programs.

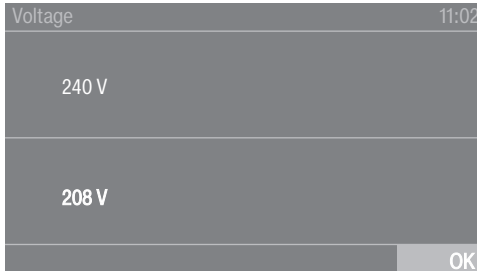
Tip: You can disable a selected program by touching the program's sensor control again.

- If you do not want to select any more programs, confirm with OK.

The display will change to the next setting.

Setting the voltage

You must confirm the voltage in the display to align with the the voltage present at the installation site.



- Use your finger to touch the sensor control with the required voltage.
- Confirm with the OK sensor control.

The display will change to the next setting.

Heater rating setting

You must adjust the tumble dryer heater rating in the display to align with the set voltage.



208 V → 3.0 kW heater rating

240 V → 4.1 kW heater rating

- Use your finger to touch the sensor control with the required heater rating.
- Confirm with the OK sensor control.

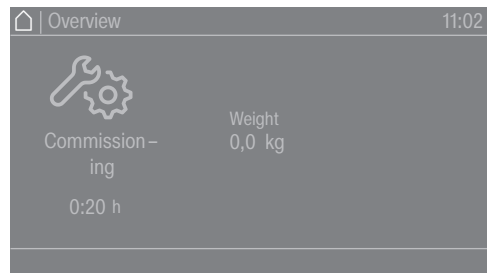
The display will change to the next setting.

Completing the commissioning process

To complete the commissioning process, you must run the Commissioning program through to the end.

The program takes 20 minutes to complete and must run with an empty drum.

- Confirm with the OK sensor control.



- Touch the flashing *Start/Stop* sensor control.
- Once the program has finished, switch the tumble dryer off briefly and then switch it back on again.


Commissioning is complete and the tumble dryer is ready for drying.

1. Notes on correct laundry care

Washing


- Heavily soiled laundry must be washed particularly thoroughly. Use sufficient detergent and select a high temperature. If in doubt, wash the items several times.
- New, colored items must be washed thoroughly and separately. Do not dry these items with light-colored garments. There is the risk of colors running and discoloring other garments or even plastic components in the tumble dryer. Dark-colored fibers can also settle on light-colored garments and vice versa.

Drying

 Damage due to foreign objects which were not removed from the laundry.

Foreign objects can melt, burn, or explode.








Ensure that any foreign objects (e.g., detergent dispensing balls, lighters, etc.) have been removed from the laundry.

 Risk of fire due to incorrect use and operation.

The laundry can burn and destroy the tumble dryer and the surroundings. Read and observe the “IMPORTANT SAFETY INSTRUCTIONS”.

- Check seams and stitching to ensure that padding and linings are intact. This way you will avoid the danger of fillings coming out and causing a fire.
- Sew in or remove underwiring from bras.

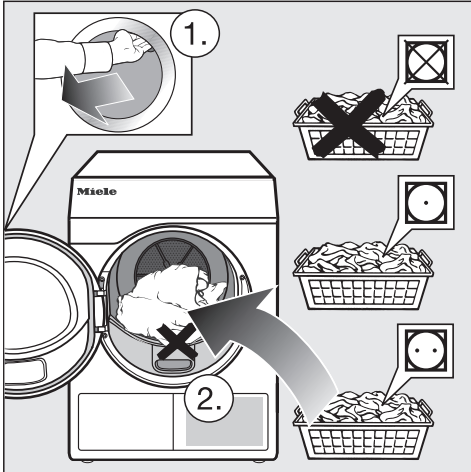
Garment care-label symbols

Drying	
	Normal/higher temperature
	Low temperature*
* Select the <i>Low temperature</i> option.	
	Do not tumble dry
Ironing	
	Very hot
	Hot
	Warm
	Do not iron

2. Loading the tumble dryer

Loading the laundry

Textiles may be damaged.
Before loading, read “1. Notes on correct laundry care”.

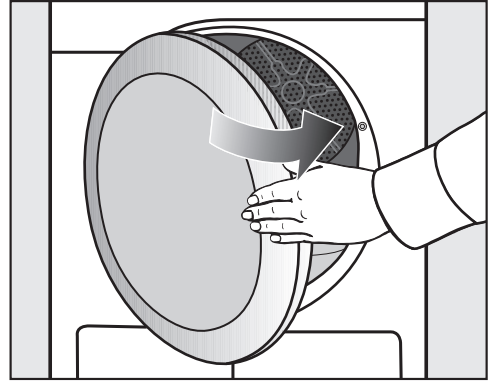


- Open the door.
- Load the laundry.

Textiles may be damaged.
When closing the door, make sure
that laundry does not get trapped in
the door opening.

Do not overload the drum. Overloading
can cause unnecessary wear and tear
to the laundry and cause a
disappointing drying result. It can also
cause more creasing.

Closing the door



- Shut the door gently.

3. Selecting a program

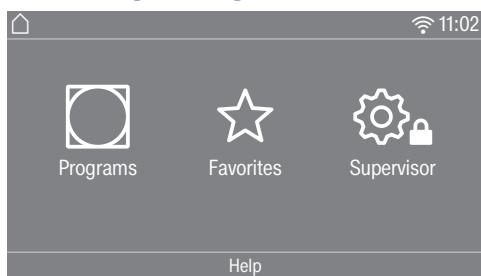
Switching on the tumble dryer

- Press the  button.

The drum lighting will come on.

The drum lighting will automatically go out after a few minutes and/or after the start of a program to save energy.

Selecting a program




There are different ways to select a program.

- Touch the  Programs sensor control.



- Scroll to the right in the display until the program you want appears.
- Touch the sensor control for that program.

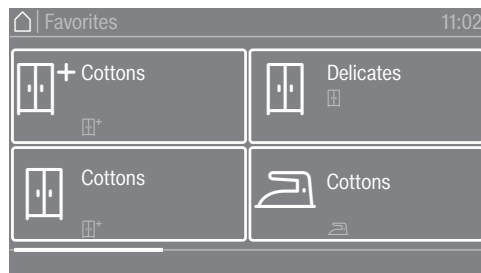
The display will change to the standard menu for that drying program.

Alternatively, you can select a program via:  Favorites*.

* The pre-set programs under Favorites cannot be changed.

- Touch the  Favorites sensor control.

The programs will appear in the display. Symbols representing the pre-set parameters (drying level, extra options, or times) are displayed underneath the names of the programs.



- Scroll to the right in the display until the program you want appears.
- Touch the sensor control for that program.

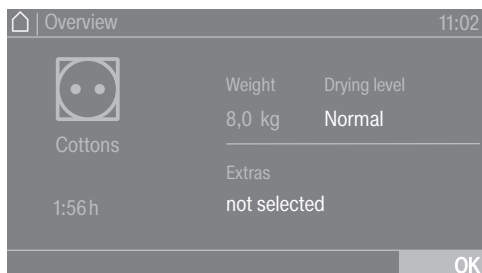
The display will change to the standard menu for that drying program.

4. Selecting program settings

Main menu for a program

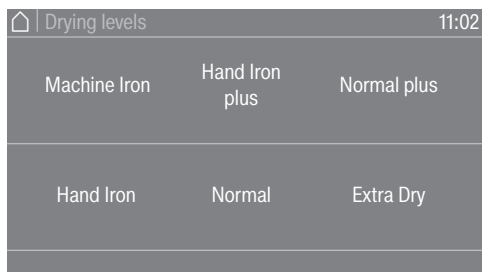
Selecting the drying level

The pre-set drying level for many programs can be changed if required. Different drying levels are available depending on the program.



- Touch the Drying level sensor control.

The drying-level selection menu opens.



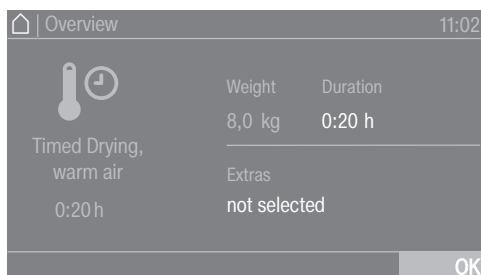
- Touch the sensor control for the drying level you want.

Selecting the duration (timed programs)

You can select the program duration yourself.*

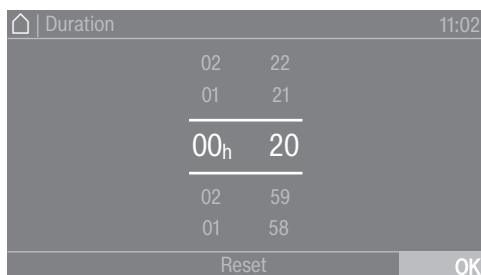
* The time frame for the selected program duration can be limited by Technical Service.

- Timed Drying, warm air = 00:10–2:00 hours
- Timed Drying, cool air = 00:10–2:00 hours
- Basket Program/Basket - Low temperature = 00:20–1:30 hours
- Timed, warm air hygiene = 00:50–2:00 hours



- Touch the Duration sensor control.

The duration-setting menu opens.

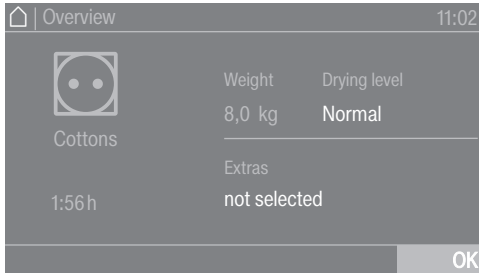


- Select a duration.
- Only press OK when the option appears on the display.

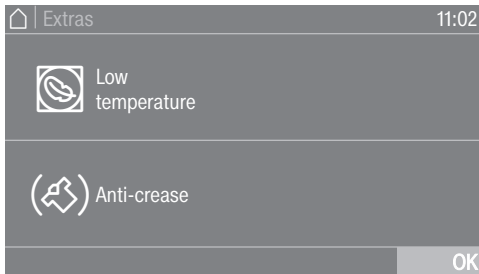
4. Selecting program settings

Selecting extra options


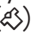
The drying programs can be augmented with various extra options.



- Touch the Extras sensor control.




- Touch the sensor control for the option you want.
- Only press OK when the option appears on the display.

The relevant symbol for the selected option  or  lights up.

Not all extra options can be selected with every program, only those programs for which it makes sense.

Low temperature

Delicate fabrics (with the  symbol on the care label, e.g., acrylic garments) are dried at a lower temperature and the program duration is longer.

Anti-crease

After the program has finished, the drum will continue to rotate in a certain rhythm, depending on the selected program. This helps to prevent creasing after the program has ended.

The anti-crease function is switched off as the factory default setting. It can be switched on in the supervisor level with a variable duration of up to 12 hours.

Payment system

Tip: If your machine is connected to a payment system, the amount of payment required will appear in the display.

Once the program has started, do not open the door or cancel the program. Depending on the settings, money may be lost in the payment system.

Starting a program

The program can be started as soon as the *Start/Stop* sensor control is flashing on and off.

■ Touch the *Start/Stop* sensor control.

If a delay-start period has been selected, this will appear in the display.

The program duration will appear in the display either straight away or once the delay-start period has elapsed. The program sequence is also shown in the display.

Tip: In the pull-down menu, you can view the selected drying level or duration and the selected options.

Program duration/Estimated time remaining

The program duration depends on the quantity of laundry, the type of fabric, and the residual moisture in the laundry or also the water hardness. The running time for drying-level programs can therefore vary or “jump”. The tumble dryer's electronic adapts to these factors and then adjusts the displayed program duration with increasing accuracy.

6. End of program – removing the laundry

End of program

The laundry will be cooled down shortly before the end of the program. The laundry can now be unloaded.

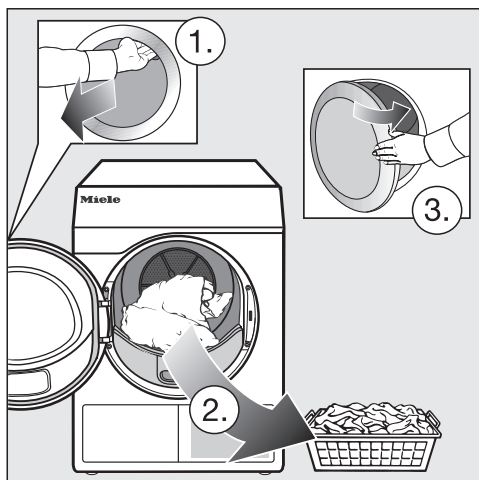
- Finish lights up

If *Anti-crease* (🌀)* has been selected, the drum rotates in intervals. This reduces creasing if the laundry cannot be removed straight away.

* The anti-crease function is switched off as the factory default setting.

The tumble dryer will switch off automatically 15 minutes after the end of a program.

Removing the laundry



- Open the door.
- Remove everything from the drum.

Items left in the dryer could be damaged by over-drying when the dryer is used the next time. Always remove all items from the drum.

- Switch the tumble dryer off.

Observing the care notes


This tumble dryer requires regular maintenance, particularly if it is used on a continuous basis.

Tip: Please see “Cleaning and care” for details. In that chapter, start by reading the section “When to clean”.

The Delay start must be activated in the Supervisor level so that the timer can be selected.


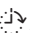
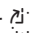
Before the program starts, the Timer can be used to select a program start time or program end time.

Setting the timer

- Touch the  Timer sensor control.
- Select the Finish at, Start in, or Start at option.
- Set the hours and the minutes and confirm your entry with the OK sensor control.

Changing the timer

The selected delay-start period can be changed before the program starts.

- Touch the , , or  sensor control.
- If required, change the specified time and confirm with the OK sensor control.

Deleting the timer

The selected delay-start period can be canceled before the program starts.

- Touch the , , or  sensor control.

The selected delay-start period will appear in the display.

- Touch the Delete sensor control.
- Confirm with the OK sensor control.

The selected delay-start period is deleted.

Starting the timer

- Touch the *Start/Stop* sensor control.

The door will lock and the time until the program starts will appear in the display.

After the program has started, the selected delay-start period can only be changed by interrupting the program.



The program can be started immediately at any time.

- Touch the Start immediately sensor control.

Program chart

All weights marked with * are based on the weight of dry laundry.


Label

Cottons Eco 		Maximum 17.6 lb (8 kg)*
Items	Cotton items such as those described under <i>Cottons, Normal</i> with normal residual moisture.	
Note	<ul style="list-style-type: none"> - Items are dried to a <i>Normal</i> level only in this program. - The <i>Cottons</i>  program is the most energy-efficient for drying cotton items with normal residual-moisture levels. 	
Note for test institutes	Test program in accordance with Regulation 392/2012/EU, measured in accordance with EN 61121.	
Cottons PRO		Maximum 17.6 lb (8 kg)*
Items	Cotton items such as those described under <i>Cottons, Normal</i> with normal residual moisture.	
Note	Items are dried to a <i>Normal</i> level only in this program.	

Program packages

You can select various programs from the program packages. The programs will appear in the program list.

Standard

Cottons		Maximum 17.6 lb (8 kg)*
Extra Dry, Normal Plus, Normal		
Items	<ul style="list-style-type: none"> - Single and multi-layered cotton items. - Towels, bathrobes, T-shirts, underwear, jersey bed linen, baby clothes. - Workwear, jackets, cotton blankets, overalls, dish towels, bed linen, towels, boil-proof table linens/drapes. 	
Note	<ul style="list-style-type: none"> - Select <i>Extra Dry</i> for multi-layered and very thick fabrics. - Do not use <i>Extra Dry</i> for jersey fabrics (e.g., T-shirts, underwear, baby clothes) because they can shrink. 	
Hand iron plus, Hand iron, Machine iron		
Items	<ul style="list-style-type: none"> - Cotton and linen fabric. - Table linens/drapes, bed linen, starched laundry. 	
Tip	To prevent laundry from drying out, it should be rolled up until you are ready for ironing.	
Minimum iron		Maximum 8.8 lb (4 kg)*
Normal Plus, Normal, Hand iron		
Items	<ul style="list-style-type: none"> - For wrinkle-free items made of cotton, synthetic, or mixed fiber. - Workwear, overalls, pullovers, dresses, pants, table linens/drapes, tights. 	
Note	 is automatically selected.	
Express		Maximum 8.8 lb (4 kg)*
Extra Dry, Normal Plus, Normal, Hand iron plus, Hand iron, Machine iron		
Items	Garments suitable for the <i>Cottons</i> program	
Note	Shorter program duration	

Program chart

Delicates		Maximum 8.8 lb (4 kg)*
Normal Plus, Normal, Hand iron plus		
Items	<ul style="list-style-type: none"> - Delicate synthetic, cotton ,or mixed-fiber fabrics. - Lightweight pullovers, dresses, pants, overalls, table cloths, dress shirts, and blouses. - Lingerie and appliquéd fabrics. 	
Note	Less creasing occurs in this program.	
Tip	Reducing the load will reduce creasing even further.	
Shirts		Maximum 4.4 lb (2 kg)*
Normal, Hand iron plus		
Items	Shirts and blouses.	
Denim		Maximum 7.7 lb (3.5 kg)*
Normal, Hand iron plus		
Items	Denim garments, e.g., jeans, jackets, skirts, shirts.	
Woolens		Maximum 4.4 lb (2 kg)*
Items	Woolen garments and fabric containing wool blends, e.g., pullovers, cardigans, tights.	
Note	<ul style="list-style-type: none"> - Wool and wool-blend items are only fluffed up; they are not dried completely. - Remove garments as soon as the program has finished and leave to finish drying at room temperature. 	
Silks		Maximum 2.2 lb (1 kg)*
Items	Silk garments which are suitable for tumble drying, e.g., blouses and shirts	
Note	<ul style="list-style-type: none"> - Program for reduced creasing. - Items are not dried completely in this program. - Remove the garments as soon as the program has finished. 	
Toweling		Maximum 15.4 lb (7 kg)*
Items	Large quantities of single-layered and multi-layered toweling items. These include, for example, towels, bath towels, bath robes, face flannels, flannel bed linen.	
Note	Items are dried to a <i>Normal Plus</i> level only in this program.	

Program chart

Smoothing		Maximum 2.2 lb (1 kg)*
Items	<ul style="list-style-type: none"> - Cotton and linen fabrics. - For wrinkle-free items made of cotton, synthetic, or mixed fiber. For example, pants, jackets, and shirts. 	
Note	<ul style="list-style-type: none"> - This program smoothes out creasing caused during the spin cycle in the washing machine. - Items are not dried completely. - For extra gentle smoothing, select the <i>Low temperature</i> option. - Remove garments as soon as the program has finished and leave to finish drying on a line or hangers. 	
Automatic Plus		Maximum 11 lb (5 kg)*
Normal Plus, Normal, Hand iron plus		
Items	Mixed loads of garments suitable for the <i>Cottons</i> and <i>Minimum iron</i> programs.	
Microfiber		Maximum 15.4 lb (7 kg)*
Normal Plus, Normal		
Items	Microfiber mops and cleaning cloths.	
Timed drying warm air		Maximum 17.6 lb (8 kg)*
Items	<ul style="list-style-type: none"> - Voluminous items such as jackets, pillows, sleeping bags, and padded items. - Fabrics made up of multiple layers, e.g., heavy cotton table cloths. - Individual items of laundry, e.g., towels, swimwear, dish towels. 	
Note	<ul style="list-style-type: none"> - For airing multi-layered fabrics or large items that dry unevenly due to their make-up. - For drying a small number of individual garments. - Do not select the longest drying time to start with. Check the items as you are drying them to find the optimum time. 	
Timed drying cool air		Maximum 17.6 lb (8 kg)*
Items	Any item that only needs airing.	

Program chart

Basket	Basket load 7.7 lb (3.5 kg)
Basket – Low temperature	Basket load 7.7 lb (3.5 kg)
Fabric type/ items	<ul style="list-style-type: none"> - Always follow the operating instructions for the dryer basket. - These programs must only be used to dry or air items which are suitable for drying in a tumble dryer but which are not suitable for drying using mechanical action.
Note	<ul style="list-style-type: none"> - These programs may only be used with the Miele Dryer Basket (optional accessory). - A satisfactory drying result cannot be achieved without the dryer basket. - Select <i>Basket – Low temperature</i> for temperature-sensitive items. - Make sure that the load (bag, boots ...) does not touch the drum: The dryer drum rotates, which can damage the dryer basket and the drum if loaded incorrectly. See the operating instructions supplied with the dryer basket. - Always follow the operating instructions for the dryer basket. <div data-bbox="225 780 488 992" style="text-align: center;"> </div>

Sport

Sportswear		Maximum 6.6 lb (3 kg)*
Items	Sportswear that is suitable for drying in a tumble dryer.	
Note	Items are dried to a <i>Normal</i> level only in this program.	
Outdoor		Maximum 5.5 lb (2.5 kg)*
Normal, Hand iron plus		
Items	Outdoor clothing which is suitable for drying in a tumble dryer.	
Proofing		Maximum 5.5 lb (2.5 kg)*
Textiles	For drying microfiber fabrics, skiwear, outdoor wear, fine close weave-cotton garments (poplin), and table linens which are suitable for drying in a tumble dryer.	
Note	<ul style="list-style-type: none"> - This program includes an additional proofing-fixing phase. - Only use proofing agents that are stated by the manufacturer as being “suitable for use on membrane textiles”. These agents contain fluorochemical compounds. - Do not dry items which have been treated with proofing agents containing paraffin. This substance is a fire risk. - Items are dried to a <i>Normal</i> level only in this program. 	
Reactivation		Maximum 5.5 lb (2.5 kg)*
Items	Outdoor clothing which is suitable for drying in a tumble dryer.	
Note	<ul style="list-style-type: none"> - The drying process revitalizes the fibers, which improves the water-repelling effect. - Items are dried to a <i>Normal</i> level only. 	

Program chart

Soft furnishings

Down Bedding		Maximum 4.4 lb (2 kg)*
Items	Bedding suitable for tumble drying (duvets or pillows filled with down or feathers).	
Note	Items are dried to a <i>Normal</i> level only in this program.	
Tip	Feathers have a tendency of developing a strong odor when they are warm. Allow bedding to air outside the tumble dryer after drying.	
Synthetic Bedding		Maximum 4.4 lb (2 kg)*
Items	Bedding suitable for tumble drying (duvets or pillows with a synthetic filling).	
Note	Items are dried to a <i>Normal</i> level only in this program.	
Large items		Maximum 8.8 lb (4 kg)*
Normal Plus, Normal, Hand iron, Machine iron		
Items	Robust, larger items for the <i>Cottons</i> program. These include, for example, blankets, multi-layered covers, large voluminous items.	

Hygiene

In the hygiene programs, items will be dried with a temperature that is constant over an extended period (longer temperature-holding time). This kills off micro-organisms such as germs or dust mites and reduces allergens in the laundry. If a hygiene program is canceled early, micro-organisms will not be killed. Do not cancel this program.

Cottons hygiene		Maximum 8.8 lb (4 kg)*
Items	Cotton or linen items that come into direct contact with the skin. These include, for example, underwear, baby clothes, hand towels, bath towels, bathrobes, spa towels, and flannels.	
Note	Items are dried to a <i>Normal</i> level only in this program.	
Minimum iron hygiene		Maximum 8.8 lb (4 kg)*
Items	<ul style="list-style-type: none"> - For wrinkle-free items made of cotton, synthetic, or mixed fiber. - Workwear, overalls, pullovers, dresses, pants, table linens/drapes, tights. 	
Note	Items are dried to a <i>Normal</i> level only in this program.	
Timed warm air hygiene		Maximum 8.8 lb (4 kg)*
Items	<ul style="list-style-type: none"> - Voluminous items such as jackets, pillows, sleeping bags, and padded items. - Fabrics made up of multiple layers, e.g., heavy cotton table cloths. - Individual items of laundry, e.g., towels, swimwear, dish towels. 	
Note	<ul style="list-style-type: none"> - For airing multi-layered fabrics or large items that dry unevenly due to their make-up. - For drying a small number of individual garments. - Do not select the longest drying time to start with. Check the items as you are drying them to find the optimum time. 	

Program chart

WetCare

WetCare Sensitive		Maximum 5.5 lb (2.5 kg)*
Items	Non-washable outerwear	
Note	The garment is briefly dried and fluffed up	
WetCare Silks		Maximum 5.5 lb (2.5 kg)*
Normal, Hand iron plus, Hand iron		
Items	Non-washable silk garments which crease easily	
WetCare Intensive		Maximum 5.5 lb (2.5 kg)*
Normal, Hand iron, Hand iron plus, Machine iron		
Items	Washable outerwear	

Flatwork

Cottons 40% residual moisture		Maximum 17.6 lb (8 kg)*
Cottons 25% residual moisture		Maximum 17.6 lb (8 kg)*
Minimum iron 20% residual moisture		Maximum 8.8 lb (4 kg)*
Items	<ul style="list-style-type: none"> - Hotel, care-home, or hospital laundry that requires further processing (hand ironing, machine ironing, folding). - This includes cottons and minimum-iron fabrics, such as bedding, table linens/drapes, or towels. 	
Note	<ul style="list-style-type: none"> - The residual moisture is absorbed by the fabric fibres, which makes them easier to smooth. - These programs only dry to <i>Machine iron</i> . 	
Tip	<ul style="list-style-type: none"> - To prevent laundry from drying out, it should be rolled up until you are ready for ironing. - Shake the laundry before ironing. 	

Special programs

You can put together 5 special programs and assign your own program names. Enter these into the tables.

Load: Maximum 17.6 lb (8 kg) kg (weight of dry items)

Example

[Special program 1] Dry+	
Res. moisture program	
- Final residual moisture :	- 6%
- Extra drying time :	30 min
- Temperature :	140 °F (60 °C)

(1)
-
-
-
-
-
-
-

(2)
-
-
-
-
-
-
-

(3)
-
-
-
-
-
-
-
-

(4)
-
-
-
-
-
-
-
-

(5)
-
-
-
-
-
-
-
-

Changing the program sequence


Payment system

Opening the door or canceling the program after it has started may cause a loss of credit (depending on how the tumble dryer was set up*).

* Either during the commissioning process or subsequently, Technical Service can reset the payment system so that programming changes can be made.

Changing a program once it has started

You cannot change to another program once a program has started (this prevents unintentional alterations). You will need to cancel the current program before you can select a new one.

 Risk of fire due to incorrect use and operation.

The laundry can burn and destroy the tumble dryer and the surroundings.

Read and observe the "IMPORTANT SAFETY INSTRUCTIONS".

Canceling a program

- Touch the *Start/Stop* sensor control.

A message will appear in the display asking if you wish to cancel the program.


- Touch the *Yes* sensor control.

Reselecting a canceled program

- Open and close the door.
- Select and start a new program.


Adding laundry

- Open the door.

 Risk of burns by touching hot laundry in the drum.
You could burn yourself.
Let the laundry cool down and remove it carefully.

- Add items.
- Close the door.
- Start the program.

Interruption to the power supply

If the power supply is interrupted because the tumble dryer has been switched off with the button :

- Switch the tumble dryer on.
- Touch the *Start/Stop* sensor control.

If the power supply is interrupted by a power cut:

- When power is restored, confirm with *OK*.
- Touch the *Start/Stop* sensor control.

Time left

Altering the program sequence can cause the program duration shown in the display to be adjusted.

When to clean

A two-piece lint filter in the air-supply area collects all lint generated during the drying process.

Failure to clean the filter regularly could increase drying times.

⚠ Fire hazard due to irregular maintenance.

Too many lint deposits in the lint filter and tumble dryer will result in a risk of fire.

Check the lint filter and air-supply area on a regular basis. Always clean the filter if you find any lint deposits.

⚠ Damage caused by a missing or damaged lint filter.

Too many lint deposits in the lint filter and tumble dryer will result in a risk of appliance malfunctions and a risk of fire.

Never use the tumble dryer without the lint filter. Always replace a damaged lint filter immediately.

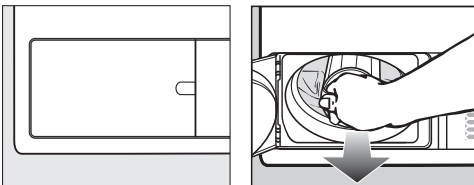
Always clean the appliance whenever prompted to do so in the display.

Various messages can be displayed:

Clean the filters.

Clean the lint filter and rinse the plinth filter.

Rinse the lint filter and plinth filter. Check the airways.

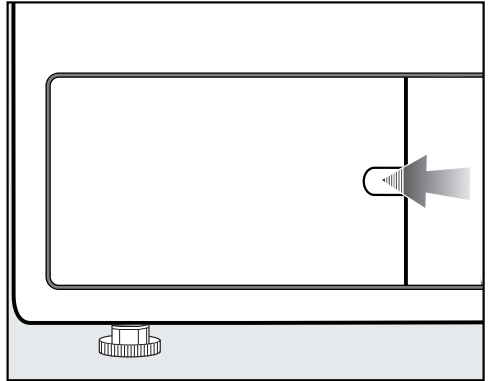


- To delete the message: open the lint-filter flap for at least 10 seconds while the tumble dryer is switched on.

- You might have to confirm with OK.

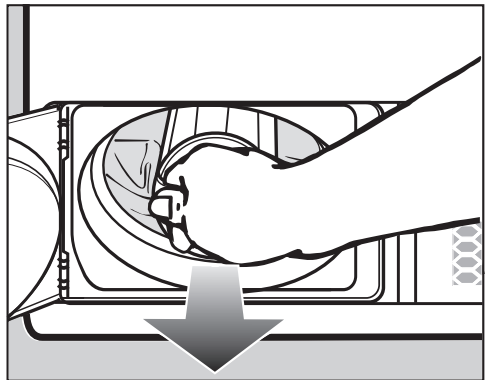
Cleaning the lint filters

Removing the lint filter



- Reach behind the catch with your finger.

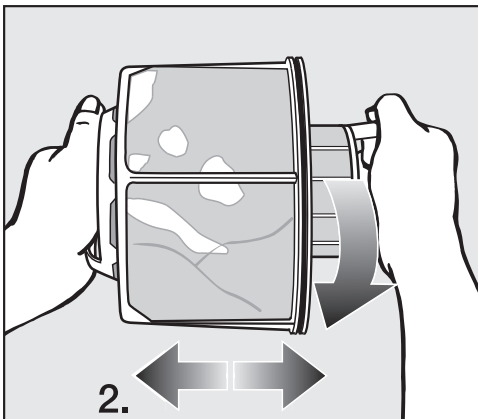
- Open the lint-filter flap.



- Use the handle to pull out the lint filter.

Cleaning and care

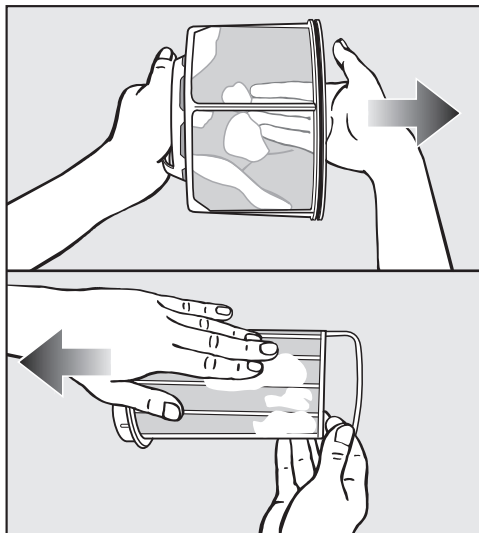
Dismantling the lint filter



- Hold onto both handles on the lint filter.
- Turn the inner section of the lint filter counterclockwise (1) slightly until you feel it engage.
- Pull apart the two parts of the lint filter (2).

Cleaning the lint-filter components when dry

Tip: Use a vacuum cleaner to achieve the best possible cleaning results.



- Use your fingers or a vacuum cleaner to remove the lint from the surface of the filter.

Cleaning the lint-filter components when wet

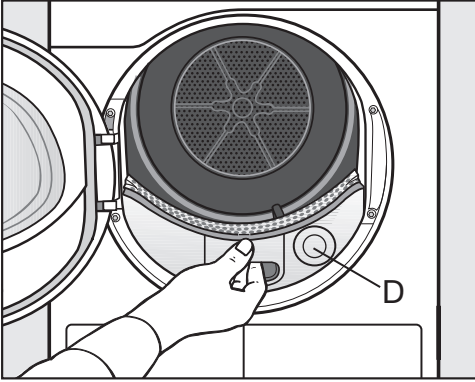
If there is a lot of compacted lint on the lint-filter components, you should also clean them under warm running water.

If the lint filter is wet, it could cause operational faults.

Shake both parts thoroughly and then dry them carefully.

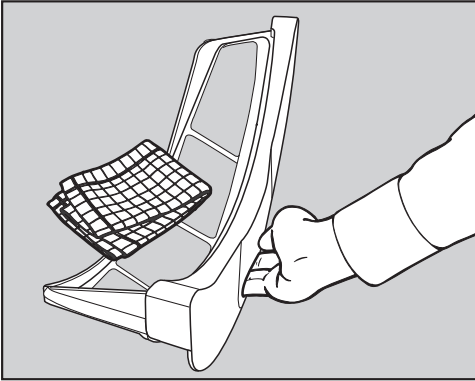
Cleaning the air-supply area

- Open the door.

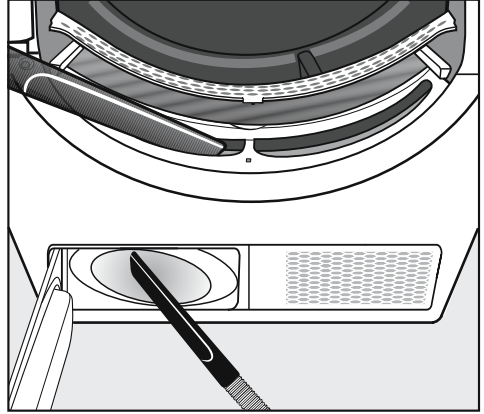


The round lid (D) serves no purpose and cannot be removed.

- Pull out the cover to the air-supply area.

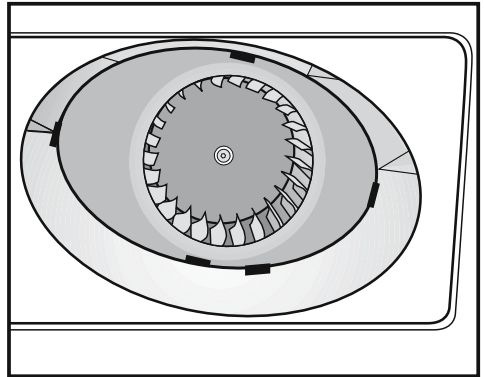


- Use a damp cleaning cloth to clean the cover to the air-supply area.
- Place the cover to the air-supply area to one side.



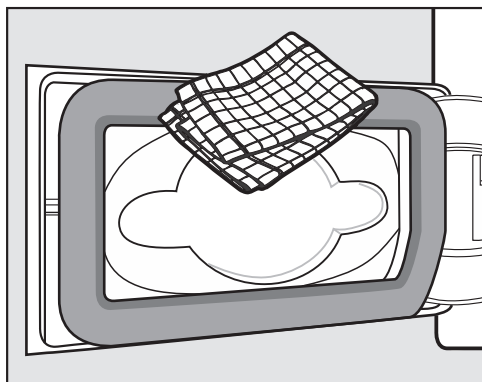
- Lint can be removed with a vacuum cleaner.

The fan impeller inside the tumble dryer may be clogged with detergent residue and lint.



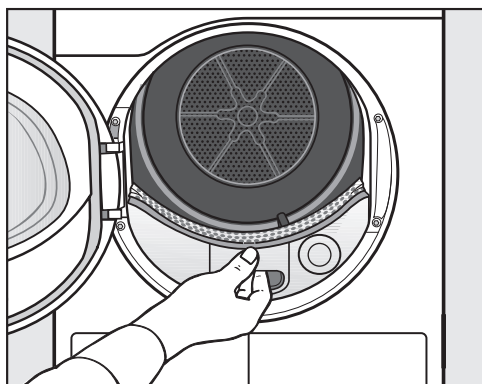
- Using a damp cleaning cloth, carefully remove
 - ... The coating on the fan impeller.
 - ... Lint from the area in front of the fan impeller.

Cleaning and care

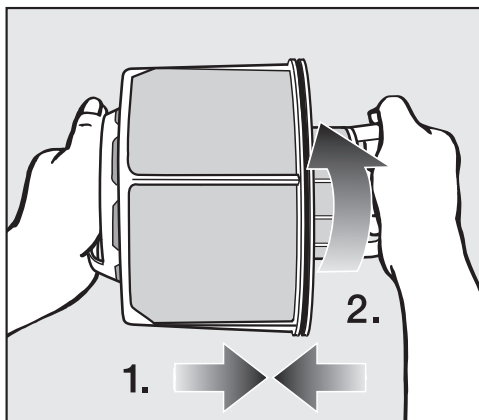


- Use a damp cloth to remove any lint. Make sure that you do not damage the rubber seal when doing this.

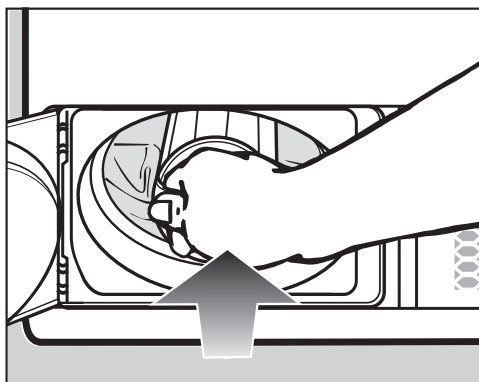
Assembling and inserting the lint filter



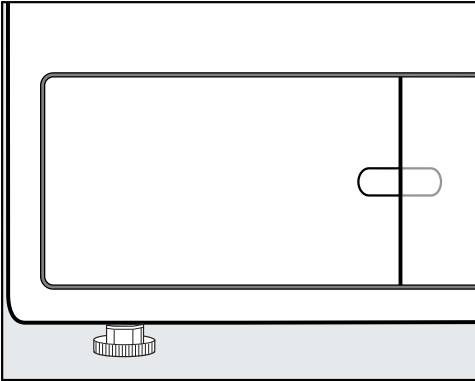
- Slide in the cover to the air-supply area.



- Insert the inner lint-filter component into the outer component (1).
- Turn the inner section of the lint filter clockwise (2) slightly until you feel it engage.

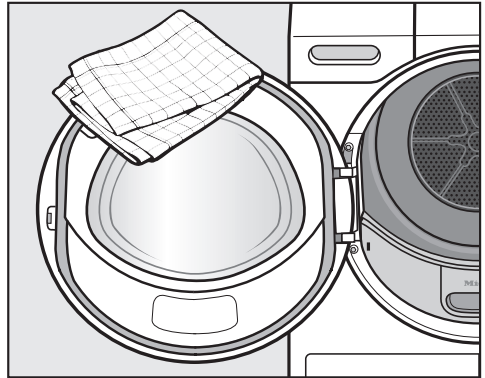


- Slide in the lint filter until you feel it engage.



- Close the lint-filter flap.


The filter must be inserted and the lint-filter flap must be closed to ensure the system is correctly sealed and that the tumble dryer will function correctly.



- Clean the tumble dryer and the seal on the inside of the door with a slightly damp soft cloth, a mild solution of liquid dish soap, and water.
- Dry all the parts with a soft cloth.
- The drum and other stainless steel parts can be cleaned with a suitable stainless steel cleaner.


Cleaning the tumble dryer

Disconnect the tumble dryer from the electrical supply.

 Damage caused by the use of unsuitable care products.

Unsuitable care products could damage plastic surfaces and other parts.

Do not use any solvents, abrasive cleaners, glass cleaners, or all-purpose cleaners.

 Danger of electric shock caused by water.

There is a risk of electric shock if water runs over or into the tumble dryer.

Never spray the tumble dryer with water. Only ever clean the appliance with a slightly damp, soft cloth.



Frequently asked questions

Many malfunctions and faults that can occur in daily operation can be easily remedied. You can save time and money in many cases, as you do not need to contact Miele Customer Service.



Information to help you rectify faults yourself can be found at www.miele.com/service.

The following tables are designed to help you to find the cause of a malfunction or a fault and to resolve it.

Program cancellation and fault message in the display

Message	Possible cause and solution
 The drum is empty or the laundry is too dry.	In some programs, if the drum has been underloaded or is empty, the program will be canceled. This can also happen if the items are already dry. This is not a fault or a malfunction. <ul style="list-style-type: none">■ Open the door and check the laundry.■ Add or remove laundry items.■ Close the door.■ Start a drying program. Dry individual items using the <i>Time Dry</i> program.
 Obstruction detected. Untangle laundry and restart.	The laundry is unevenly distributed or has rolled up. <ul style="list-style-type: none">■ Open the door and loosen the laundry. Take out some of the laundry.■ Close the door.■ Start a drying program.

Frequently asked questions

Message	Possible cause and solution
 Rinse the lint filter and plinth filter. Check the airways.	<p>You have attempted to dry only a few items of varying size.</p> <p>A smaller item has been sucked into the loading area in the door. It is clogging the holes in the laundry deflector.</p> <ul style="list-style-type: none"> ■ To delete the message: touch the OK sensor control. ■ Open the tumble-dryer door. ■ Always dry small, individual items together with larger items. ■ Remove the item that is blocking the holes. <p>If you are able to exclude all this, the system has been clogged by lint or detergent residue.</p> <hr/> <p>The system has been clogged by lint or detergent residue.</p> <ul style="list-style-type: none"> ■ Clean the lint filter and air channels. ■ Check the ducting to make sure the drying air can be extracted without any obstructions. <p>Please see “Cleaning and care” for notes on cleaning. Always replace a damaged lint filter.</p> <ul style="list-style-type: none"> ■ To delete the message: touch the OK sensor control.
 Fault F. If restart fails, contact Service.	<p>There is no obvious cause for the cancellation of the program.</p> <ul style="list-style-type: none"> ■ Note the prompt in the display. ■ Touch the OK sensor control. ■ Start a drying program. <p>If the program terminates again with the same fault message, then there is a fault. Contact Miele Customer Service.</p>

Frequently asked questions

Messages in the display

Message	Possible cause and solution
i Close the lint filter compartment	<p>The lint-filter flap for the lint filter is open.</p> <ul style="list-style-type: none">■ Close the lint-filter flap. <p>The message will go out.</p> <p>Never open the lint-filter flap during active program operation. Opening the lint-filter flap during active program operation interrupts the airflow. The program will also be canceled. If the airflow is interrupted, the tumble dryer cannot discharge the hot air quickly enough. The tumble dryer can be permanently disabled by its safety feature. If this happens, contact Miele Service.</p>
i Clean the filters	<p>The message lights up after a specific period of time following the end of a program.</p> <ul style="list-style-type: none">■ Clean the lint filter.■ Check and clean the air-supply area. <p>Please see “Cleaning and care” for notes on cleaning.</p> <ul style="list-style-type: none">■ To delete the message: open the lint-filter flap for at least 10 seconds while the tumble dryer is switched on. <p>You can set an hourly interval for this reminder. The hourly interval depends on how much lint tends to build up and how often you wish to clean the filter, e.g., for hygiene purposes.</p> <p>See “Cleaning the filters” in “Supervisor level” – “Process technology” for more information.</p>
i Clean the lint filter and rinse the plinth filter	<p>This information is displayed at the end of the program if the tumble dryer is not working correctly or economically.</p> <p>The lint filters may be clogged.</p> <ul style="list-style-type: none">■ Clean the lint filter.■ Check and clean the air-supply area. <p>Please see “Cleaning and care” for notes on cleaning.</p> <ul style="list-style-type: none">■ To delete the message: open the lint-filter flap for at least 10 seconds while the tumble dryer is switched on.

Frequently asked questions

Message	Possible cause and solution
i Power outage. Program stopped	<p>There has been a power outage.</p> <ul style="list-style-type: none"> ■ When power is restored, confirm with OK. ■ Touch the <i>Start/Stop</i> sensor control.
Finish/Cooling down	<p>There is no fault, but the drying process continues. The laundry is still being cooled. The program is just about to end.</p> <ul style="list-style-type: none"> ■ You can remove the laundry and spread it out to cool down or leave it in the tumble dryer to cool down until the end of the program.

Unsatisfactory drying results

Problem	Possible cause and solution
The laundry is not sufficiently dry.	<p>The load consisted of different types of fabric.</p> <ul style="list-style-type: none"> ■ Finish drying using the <i>Timed drying warm air</i> program.
Large items of laundry have rolled up, causing a problem. The individual items of laundry are still damp.	<p>The laundry could not be untangled in the program you selected. Smaller items have rolled up into one.</p> <ul style="list-style-type: none"> ■ Untangle the laundry. ■ Select the <i>Large items</i> program.
	<p>If the <i>Large items</i> program does not appear in the display for selection, you can activate it later.</p> <p>How to activate a program later is described in “Supervisor level” – “Opening the Supervisor level” and “Program selection/Program packages”.</p>
The laundry or feather-filled pillows develop a smell after drying.	<p>The laundry was washed with insufficient detergent. Feathers have a tendency of developing a strong odor when they are warm.</p> <ul style="list-style-type: none"> ■ Laundry: Use sufficient detergent. ■ Pillows: Take out of the tumble dryer and air them.
Items made of synthetic fibers are charged with static electricity after drying.	<p>Synthetic fibers tend to attract static charge.</p> <ul style="list-style-type: none"> ■ Static charge can be reduced by adding a fabric softener to the final rinse in the washing program.

Frequently asked questions

Problem	Possible cause and solution
Lint is caused by tumble drying.	<p>Lint is principally the result of friction when garments are being worn and to some extent when they are being washed. Machine drying hardly causes any lint to form.</p> <p>Lint is collected by the lint filters and fine filter and can be easily removed.</p> <p>■ See “Cleaning and care”.</p>

The drying-cycle duration is very long


Problem	Possible cause and solution
The drying process goes on too long or even switches off.*	<p>In some circumstances, you may be asked to clean the air channels/filters.</p> <p>■ Check for all of the possible causes described below.</p>
	<p>Detergent residues, hair, and fine lint can clog the filters.</p> <p>■ Clean the lint filter (see “Cleaning and care”).</p> <p>■ Clean the air-supply area.</p> <p>■ You can remove the cover in the loading area to clean the air-supply area underneath.</p>
	<p>The ducting or its openings are clogged with hair or lint, for example.</p> <p>■ Check and clean all components in the ducting (e.g., wall pipe, external grille, bends, elbows, etc.).</p>
	<p>The air supply is not adequate in small, unventilated rooms.</p> <p>■ When drying, open a door or window to ensure sufficient ventilation.</p>
	<p>The laundry is too damp.</p> <p>■ Spin using a higher spin speed in the washing machine.</p>
	<p>The drum is too full.</p> <p>■ Do not exceed the maximum load for the program selected.</p>
	<p>Metallic components, e.g., zippers, have prevented the dryer from registering the correct moisture level.</p> <p>■ Open the zippers next time.</p>

Frequently asked questions

Problem	Possible cause and solution
	<ul style="list-style-type: none"> ■ If the problem recurs, dry these items using the <i>Timed drying warm air</i> program.

* Switch the tumble dryer off and on again before starting a new program.

General problems with the tumble dryer

Problem	Possible cause and solution
Condensation is forming in the drum.	<p>The tumble dryer is installed on a shared exhaust-air duct.</p> <ul style="list-style-type: none"> ■ The tumble dryer must always be installed with a non-return flap when using a shared exhaust-air duct. ■ Check the non-return flap for possible defects on a regular basis and replace the flap if necessary.
The drum lighting does not come on.	<p>The drum lighting switches off automatically when the door is closed.</p> <p>To save energy, the drum lighting will switch off after a few minutes if the door is left open for an extended period.</p> <p>The drum lighting will come on when the door is opened if the tumble dryer is switched on.</p>
The display is in a different language.	<p>A different language has been selected.</p> <ul style="list-style-type: none"> ■ Set the language you want. The flag symbol  will guide you.

Customer Service

Contact in the event of a fault

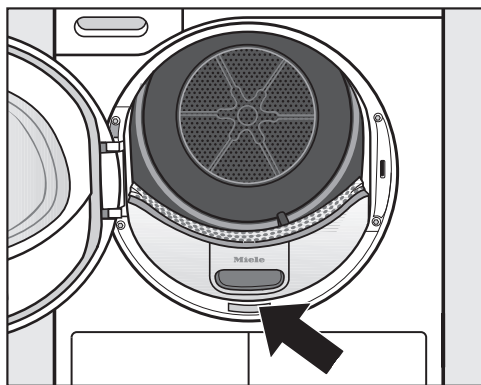
In the event of a fault which you cannot remedy yourself, please contact your Miele dealer or Miele Customer Service.

You can book a Miele Service Call online at www.miele.com/service.

Contact information for Miele Customer Service can be found at the end of this document.

Please quote the model identifier and serial number of your appliance (SN) when contacting Miele Customer Service. Both pieces of information can be found on the data plate.

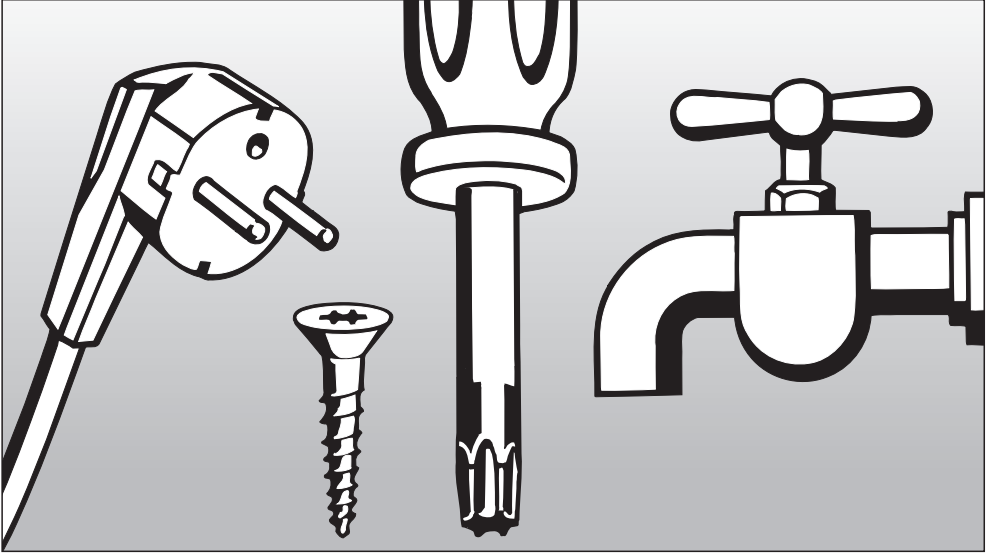
Open the door of your tumble dryer to find the data tag:



Optional accessories

Optional accessories for this tumble dryer are available from your Miele dealer or Miele Technical Service.

Installation instructions



Alteration rights reserved.

Visit our website for all the current product specifications, technical appliance information, and warranty information.

To avoid accidents or damage to the appliance, please read these instructions before installing and/or using it.

IMPORTANT SAFETY INSTRUCTIONS

WARNING - Risk of Fire

- ▶ To reduce the risk of severe injury or death, follow all installation instructions.
- ▶ Clothes dryer installation must be performed by a qualified installer.
- ▶ Install the clothes dryer according to the manufacturer's instructions and local codes.
- ▶ Repair and maintenance work should be performed by a Miele authorized service technician. Work by unqualified persons could be dangerous and could void the warranty.
- ▶ Before installation, disconnect the tumble dryer from the electrical supply by shutting off the power main, unplugging the power cord or tripping the circuit breaker. Do not restore power until the installation is complete.

▶ **GROUNDING INSTRUCTIONS**

This appliance must be grounded. In the event of malfunction or breakdown, grounding will reduce the risk of electric shock by providing a path of least resistance for electric current. This appliance is equipped with a cord having an equipment grounding conductor and a grounding plug. The plug must be plugged into an appropriate outlet that is properly installed and grounded in accordance with all local codes and ordinances.

- ▶ **WARNING** – Improper connection of the equipment-grounding conductor can result in a risk of electric shock. Contact a qualified electrician if you are in doubt as to whether the appliance is properly grounded.
- ▶ Do not modify the plug provided with the appliance: if it will not fit the outlet, have a proper outlet installed by a qualified electrician.
- ▶ Do not use an extension cord to connect this appliance to the power supply. Extension cords do not guarantee the required safety of the appliance (e.g. danger of overheating).
- ▶ The installation of this unit in non stationary locations (e.g. ships) must be performed by a qualified installer or service agency, in strict accordance with national and local safety regulations and standards.
- ▶ Do not install the machine in rooms where temperatures below freezing may occur.
- ▶ This dryer is not intended for wall-insert.

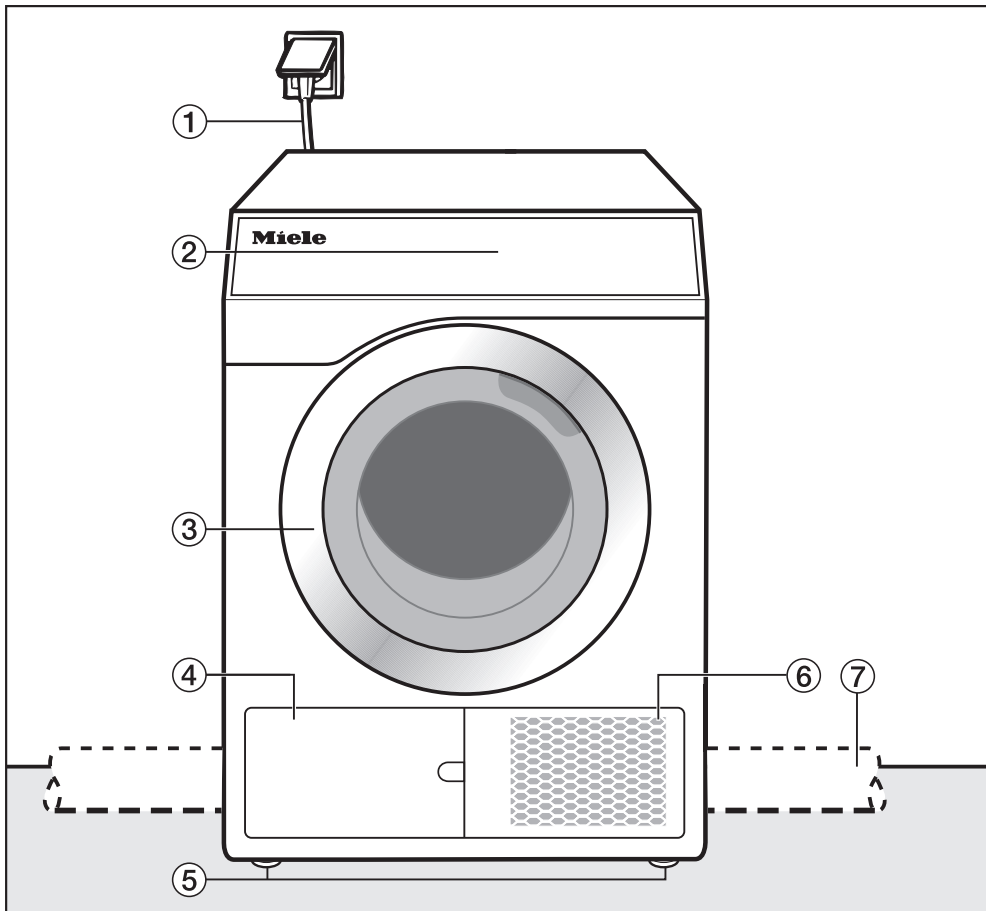
IMPORTANT SAFETY INSTRUCTIONS

- ▶ If there is any doubt concerning installation, contact Miele's Technical Service Department.
1-800-999-1360 TechService@mieleusa.com
- ▶ This dryer must be vented outdoors to reduce the risk of fire. Be sure to observe local building codes.
- ▶ Do not install a clothes dryer with flexible plastic venting materials. If flexible metal (foil type) duct is installed, it must be of a specific type identified by the manufacturer as suitable for use with clothes dryers. Flexible venting materials are known to collapse, be easily crushed, and trap lint. These conditions will obstruct clothes dryer airflow and increase the risk of fire.
- ▶ Use flexible or rigid metal pipe for venting. Non-metallic flexible hose should not be used, it is a potential fire hazard.
- ▶ The appliance shall not be exhausted into a chimney, a wall, a ceiling, an attic, a crawl space, or a concealed space of a building.
- ▶ That the duct is not to be assembled with screws or other fastening means that extend into the duct and catch lint.
- ▶ When installing multiple dryers to one collective exhaust duct, a non-return flap per dryer must be installed directly to the collective duct. Otherwise the dryers could be damaged and the electrical safety affected.

SAVE THESE INSTRUCTIONS

Installation and connection

Front view



① Power cord

② Control panel

③ Door

④ Lint filter

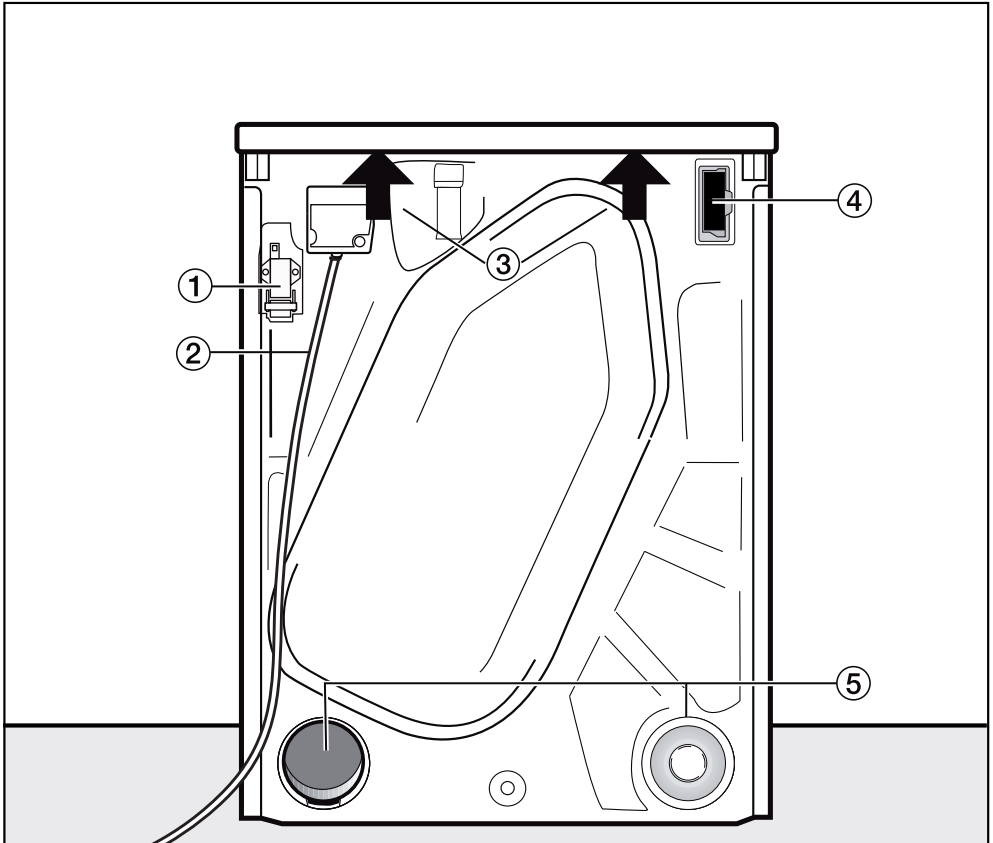
Do not open the flap during active program operation. Only open the flap if a prompt appears in the display. Otherwise a technical fault can occur.

⑤ 4 height-adjustable screw feet

⑥ Intake for air cooling

⑦ On-site ducting (installed on the right or left-hand side)

Rear view



- ① Interface for communicating with external appliances
- ② Power cord
- ③ Recesses under the protruding lid for transporting the appliance
- ④ Module slot (for external communication module)
- ⑤ Exhaust-air connections
 - Any exhaust-air connections not in use must be sealed with a cap.

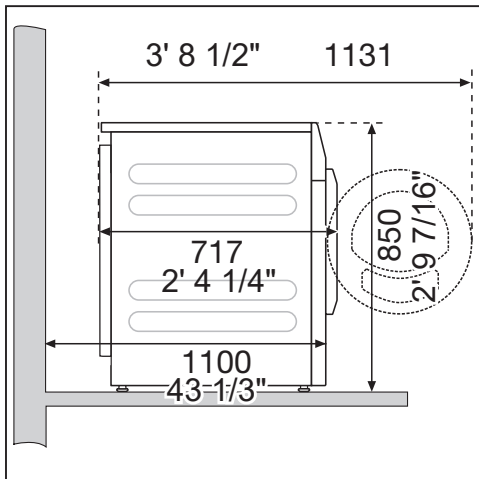
Installation and connection

Installation locations

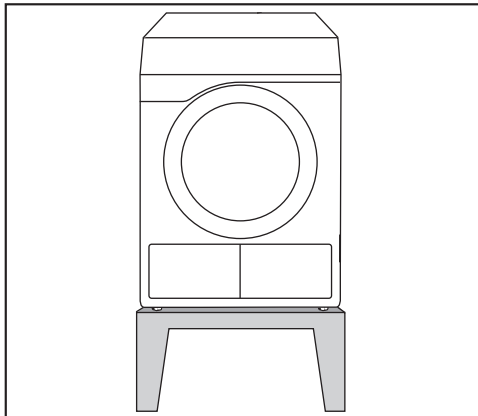
All measurements are in inch (mm).

The distances between the machine and the wall are recommendations to help make it easier to carry out service work. If installation space is limited, the machine can also be pushed up against the wall.

Side view

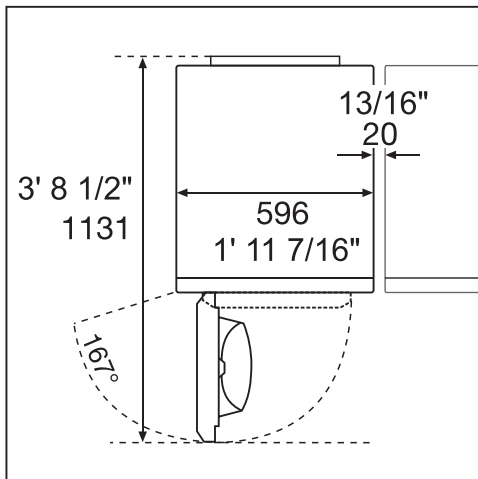


Steel toe-kick



Steel toe-kick* (open or closed bases, e.g. APCL 002, APCL 003, APCL 005, APCL 007, APCL 011 or APCL 012)

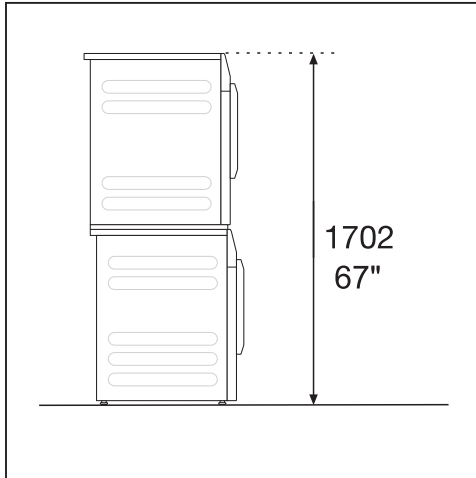
View from above



Washer-dryer stack

⚠ Installing the washer-dryer stack on a Miele Plinth is not permitted.

Installation and connection



A stacking kit* is required. This must be installed by a service technician authorized by Miele.

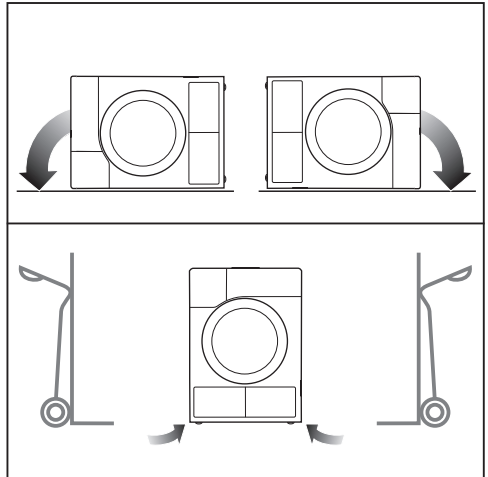
* Miele accessory available to order

Transporting the tumble dryer to its installation site



Damage caused by incorrect transportation of the tumble dryer. If the tumble dryer tips over, there is a danger of injury to people and damage to property. Ensure that the tumble dryer is stable during transportation.


Transporting the tumble dryer



- If the tumble dryer is being transported on its side, it must be tipped onto its left or right side.
- If the tumble dryer is being transported upright, always transport it on a sack truck with its left or right side resting on the truck.

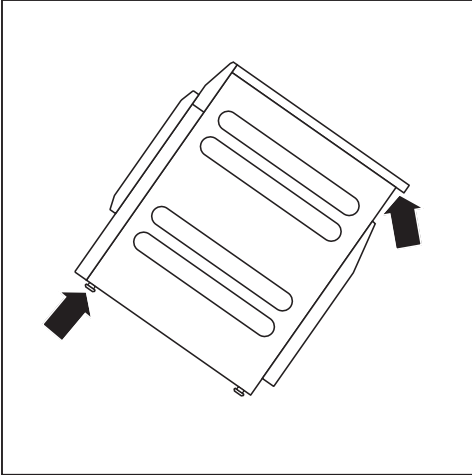
Installation and connection

Transporting the tumble dryer to its installation site

 Danger of injury due to unsecure lid.

The fixings at the back of the lid may become brittle due to external circumstances. There is a danger of the lid being pulled off when carrying the appliance.

Before carrying the appliance, check that the lid is secure where it protrudes at the back of the appliance.



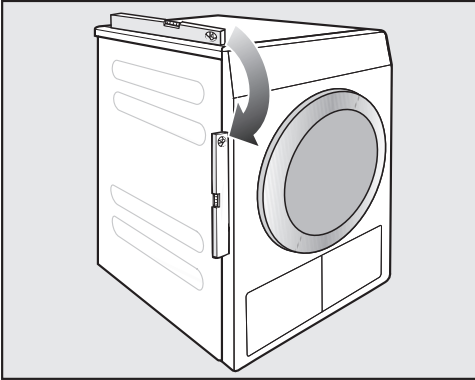
- Carry the tumble dryer by the front feet and by the lid where it protrudes at the back of the appliance.

Installation and connection

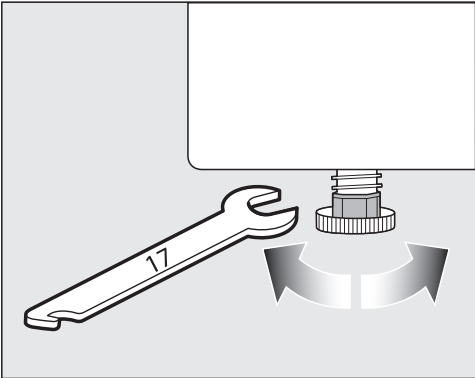
Installation

Ensure that no closeable door, sliding door, or an oppositely hinged door is installed that would hinder the door of the dryer being opened in any way.

Leveling the tumble dryer



The tumble dryer must stand perfectly level to ensure safe and proper operation.




The screw feet can be adjusted to compensate for unevenness in the floor.

This tumble dryer is not suitable for building under.

WARNING:

Never block the ventilation slots on the tumble dryer. Do not block the gap between the bottom of the tumble dryer and the floor with toe-kicks, deep pile carpet, etc. This would hinder a sufficient flow of air to the tumble dryer.

 Damage caused by incorrectly installed or missing ducting. Moist air from the tumble dryer can cause damage in the room where the appliance is installed. Please observe the instructions in "Installing the ducting".

External control equipment

An optional accessory unit has to be purchased to set up a connection with external systems:
XCI box communication module


Installation and connection

Electrical connection

This description applies to tumble dryers both with and without an electrical plug.

The following applies to tumble dryers with an electrical plug:

- This tumble dryer is supplied with a power cord and plug ready for connection.
- The electrical socket must be easily accessible so that the tumble dryer can be disconnected from the electricity supply.

 Damage caused by incorrect supply voltage.

The data tag indicates the nominal power consumption and the appropriate fuse rating.


Compare the specifications on the data tag with those of the electrical supply and make sure that they match.

The washing machine may only be connected to a permanent electrical system that conforms to the national and local codes and regulations.

The tumble dryer should never be connected by an extension cable, e.g., power strips, to avoid the risk of fire.

If the machine is hard-wired, a dual circuit breaker must be provided on-site. When switched off there must be an all-pole contact gap of at least 3 mm in the isolator switch (including circuit breakers, breakers, and relays according to IEC/EN 60947). This connection process must be performed by a qualified electrician.

The plug connector or isolator switch should be easily accessible at all times.

 Risk of electric shock.

If the tumble dryer is disconnected from the electrical supply, protective measures must be taken to ensure that the point of disconnection cannot accidentally be switched on again.


Make sure the isolator is lockable or the point of disconnection is monitored at all times.


New connections, modifications to the system, or servicing of the ground conductor, including determining the correct fuse rating, must be carried out by a qualified electrician, as they are familiar with the pertinent regulations and the specific requirements of the electric utility company.

If converting the tumble dryer to an alternative voltage, observe the instructions in the wiring diagram. Conversion must be performed by Miele Technical Service or by an authorized Miele dealer.

The tumble dryer must not be connected to devices such as timers which would switch it off automatically.

General principles concerning exhaust-air management

 Damage caused by incorrectly installed or missing ducting. Moist air from the tumble dryer can cause damage in the room where the appliance is installed. Please observe the instructions in "Installing the ducting".

 Inconveniences (odors) or damage (moisture) caused by improper installation of the ducting opening. The air from the tumble dryer can result in inconveniences or damage. Install the opening to the ducting far away from windows, doors, or other openings.

While installing the ducting, keep the tumble dryer disconnected from the power supply.


Try to keep the ducting as short as possible and try to avoid too many tight bends or elbows. This will help to stop a reduced dryer performance with long program times and excessive time and energy consumption.

Tip: Use any parts marked with a * (optional accessories):

- **Ducting with a minimum diameter of 4" (100 mm)**
e.g., exhaust hose* (made from plastic or aluminum) or a plastic waste-water pipe (HT piping systems)
- **Opening to the ducting**
e.g., wall pipe* or window connection*

General principles concerning the air supply

The air drawn into the appliance for the drying process is extracted from the ambient air. You must therefore ensure that the room is sufficiently ventilated.

 Risk of suffocation due to the use of fireplaces or other technical equipment in the area of influence in the installation room.

The tumble dryer extracts the air it needs to dry items from the ambient air. This could result in exhaust gases from fireplaces or technical equipment being drawn back into the appliance.

When drying, always apply measures to ensure sufficient room ventilation in accordance with these operating instructions.

Measures for sufficient room ventilation

- Open any windows wide
- Install a window contact switch: The tumble dryer's electrical connection only switches when a window is open
- Install a vent that cannot be closed in the outer wall: Approx. 36 1/2"² (237 cm²)

Installing the ducting

Calculating the total ducting length

The entire ducting system (including bends and components) generates air resistance that pushes against the exhaust air. The relative pipe lengths and total ducting length have to be calculated for this reason:

- The **A relative pipe length** (table I) indicates how much greater the air resistance of a bend is, for example, when compared to 3' 3" (1 meter) of a straight plastic waste-water pipe.
- Adding all of these relative pipe lengths together gives the **B total ducting length**. This is not the actual length but a calculated figure. The total ducting length (table II) expresses the air resistance of the entire exhaust-air system.

Because a larger **C pipe diameter** (table II) reduces the air resistance, a longer total duct length requires a greater pipe diameter.

Procedure

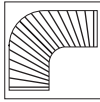
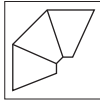
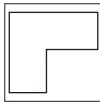
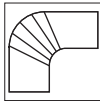
- 1 Measure the length needed for the straight sections of ducting. Multiply the length by the corresponding relative pipe length from **table I**.
- 2 Calculate the number of bends and elbows needed. Use **table I** to help you add together their relative pipe lengths.
- 3 Calculate the total duct length: Add together all of the relative pipe lengths calculated under **1** and **2**.
- 4 Refer to **table II** for the pipe diameter needed for the total duct length.

Table I	
Components	A Relative pipe length
Exhaust-air hose (highly flexible)*	
3' 3 3/8" (1 m), laid straight	5' 10 7/8" (1.8 m)
45° bend (radius of bend = 9 13/16" (0.25 m))	
90° bend (radius of bend = 9 13/16" (0.25 m))	4' 11" (1.5 m)
	8' 2 7/16" (2.5 m)
Exhaust-air hose (flexible or flexible aluminum)* / plastic waste-water pipe	
3' 3 3/8" (1 m), laid straight / straight pipe	3' 3 3/8" (1.0 m)
45° bend (radius of bend = 9 13/16" (0.25 m))	1' 11 5/8" (0.6 m)
90° bend (radius of bend = 9 13/16" (0.25 m))	
	2' 7 1/2" (0.8 m)
Wall pipe* or window connection*	
With inserted grille	12' 5 5/8" (3.8 m)
With non-return flap (swinging flap)	4' 11" (1.5 m)
Non-return flap* for integration into the ducting (see "Shared exhaust-air duct")	46' 11" (14.3 m)
Flat ducting (for stacked installation)*	36' 1" (11.0 m)
* Optional accessories	

Table II	
B Total duct length	C Pipe diameter
Maximum 65' 7 3/8" (20 m)	4" (100 mm)
Maximum 131' 2 13/16" (40 m)	5" (125 mm)
Maximum 262' 5 5/8" (80 m)	5 7/8" (150 mm)

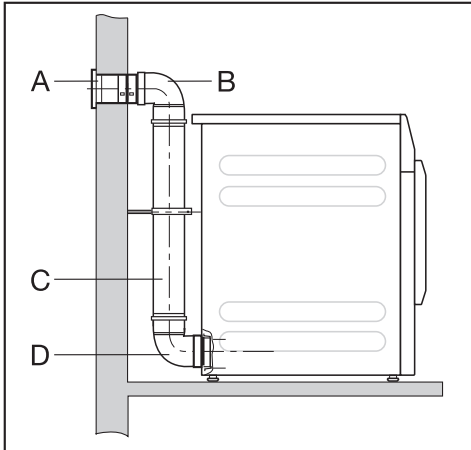
Installing the ducting

Additional duct lengths (4" [100 mm] rigid pipe only)

Type of bend		Radius		Additional duct length	
		ft	cm	ft	cm
Flexible metal duct					
– 3' 3" (1 m) straight				5' 11"	180
– 45° angle		10"	25	4' 11"	150
– 90° angle		10"	25	8' 2"	250
Smooth metal duct					
– 3' 3" (1 m) straight				3' 3"	100
– 45° angle				1' 11"	60
– 90° angle			2' 7"	80	
Elbow 90° sharp					
– 90° angle				7' 6"	230
Concertina bend		8"	20	2' 4"	70
Wall vent or window vent					
– with louvers				12' 5"	380
– with flap			4' 11"	150	
Exhaust connection					
– left or right side				3' 3"	100

Installing the ducting

Sample calculation



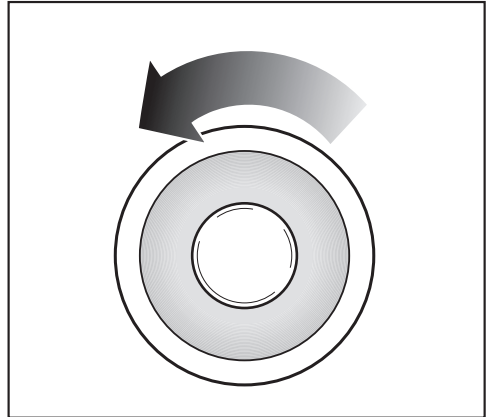
A	Wall pipe, with inserted grille	
	= 1 x 3.8 m relative pipe length	= 12' 5 5/8" (3.8 m)
B/D	2 bends, 90° plastic waste-water pipe	
	= 2 x 0.8 m relative pipe length	= 5' 3" (1.6 m)
C	0.5 m plastic waste-water pipe	
	= 0.5 x 1 m relative pipe length	= 1' 7 11/16" (0.5 m)
Total duct length		= 19 4 5/16" (5.9 m)

Because the total duct length is less than 65' 7 3/8" (20 m) (according to table II), a pipe diameter of 4" (100 mm) will be sufficient.

Exhaust-air outlets on the back of the tumble dryer

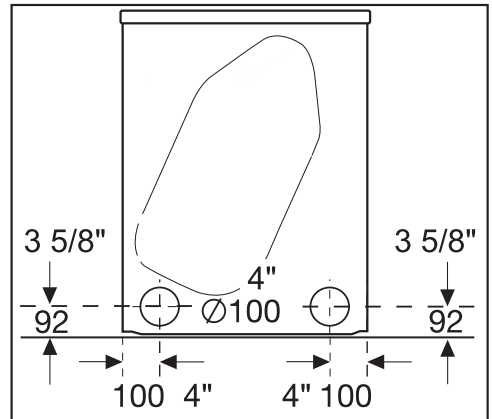
Sealing the exhaust-air outlets

The ducting is installed on the right or left-hand side of the tumble dryer's back panel. You must seal the unused connection with a cap.



- Turn the cap to the left to remove it.
- Press the cap firmly into the open air outlet.

Dimensions of the exhaust-air outlets



All measurements are in inch (mm).

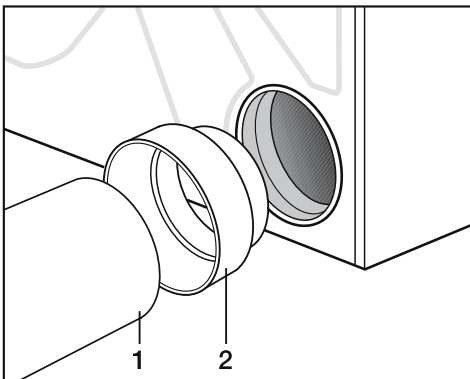
The distances between the machine and the wall are recommendations to help make it easier to carry out service work. If installation space is limited, the machine can also be pushed up against the wall.

Installing plug-in pipes

The tumble dryer is supplied with a connector for installing a pipe. It can be beneficial to use plug-in pipes if the total duct length is long. A pipe generates less resistance against the exhaust air than a highly flexible exhaust-air hose, for example. This has a positive effect on the time and energy needed for drying.

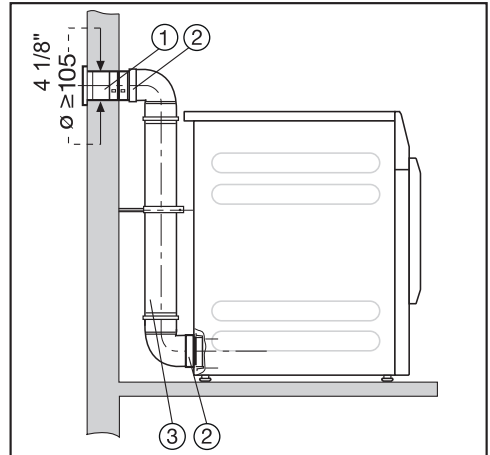
You will need

- The connector provided
- A wall pipe* or a window connection* (* optional accessories)
- A plastic waste-water pipe from a specialist retailer. If the required pipe diameter is over 4" (100 mm), additional adapter pipes are needed for the pipe system (e.g., from 4" to 5" (100 mm to 125 mm)).



- Insert the connector (2) into the exhaust-air outlet.
- Install the pipe (1).

Example



- ① Wall pipe (installation instructions are provided with the Miele Wall Pipe)
- ② Connector
- ③ Plastic waste-water pipe, diameter DN 100

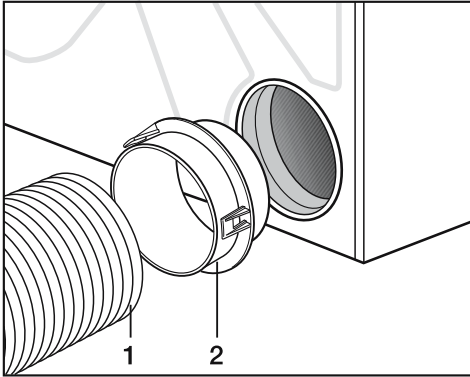
Installing the ducting

Installing flexible hoses

You can install an exhaust-air hose with the help of an adapter* or flat ducting*.

You will need

- An exhaust-air hose* (highly flexible, flexible, or flexible aluminum)
 - An adapter or flat ducting* (for a flexible exhaust-air hose)
 - A wall pipe* or window connection*
- * (optional accessories)

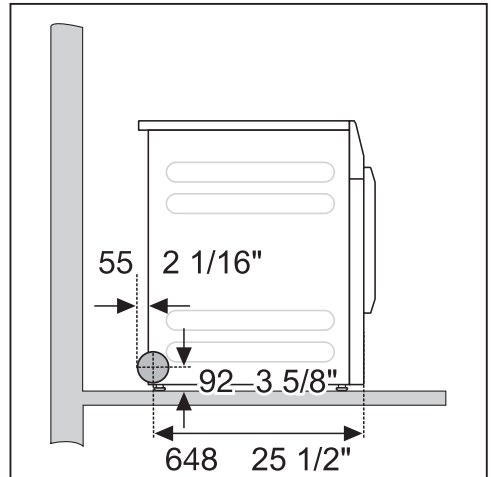
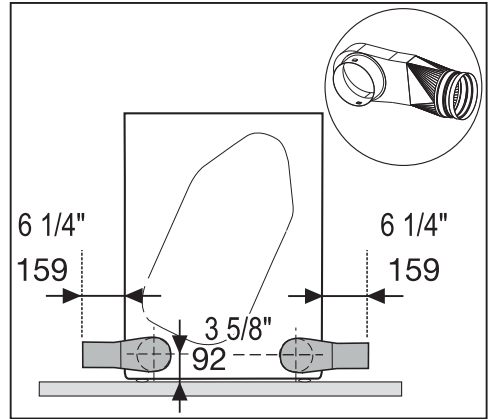


- Insert the adapter* (2) into the exhaust-air outlet.
- Install the exhaust-air hose (1).

Flat ducting

Use the flat ducting* to install the exhaust-air hose* onto the tumble dryer if there is no space to install it to the back.

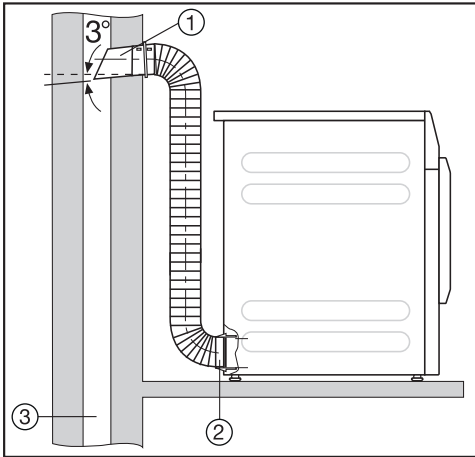
- Position the flat ducting* at a slight angle as far as it will go.
- Rotate the flat ducting* downward until it engages.



Installing the ducting

Examples

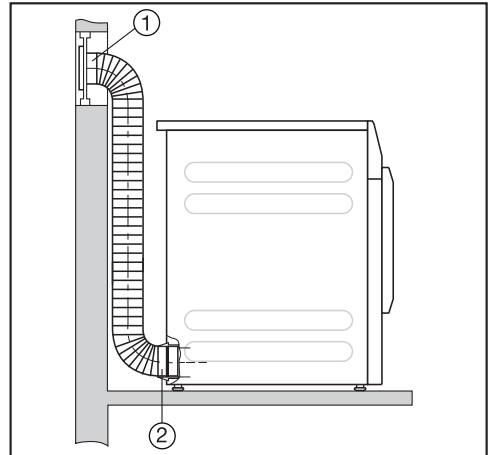
Connection to a ventilation stack



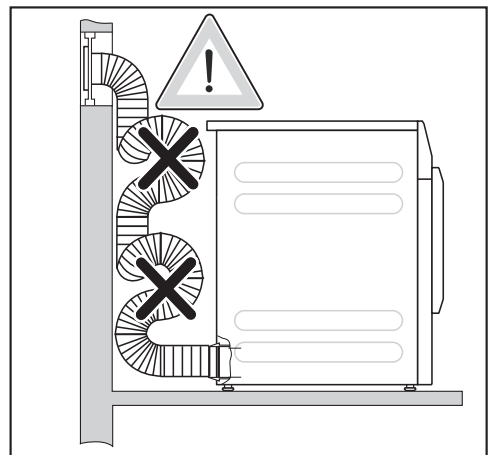
- ① Pipe with connector
(= individual parts in the Miele Wall Pipe)
- ② Adapter for a flexible exhaust-air hose
- ③ Ventilation stack, moisture-proof

! Risk of toxic fumes due to the intake of poisonous exhaust gas. The tumble dryer extracts air for drying from the room where the appliance is installed. If the appliance is operated at the same time as fireplaces or other technical equipment in the area of influence in the installation room, toxic exhaust gases can be sucked back in. Exhaust air must not be vented into a chimney or vent flue which is otherwise in use and must not be channeled into ducting which ventilates rooms with fireplaces.

Window connection



- ① Window connection (inserted in a pane of Perspex)
- ② Adapter for a flexible exhaust-air hose



Condensation may run into the tumble dryer.
Do not lay the exhaust-air hose in loops. Cut the exhaust-air hose to the required length.

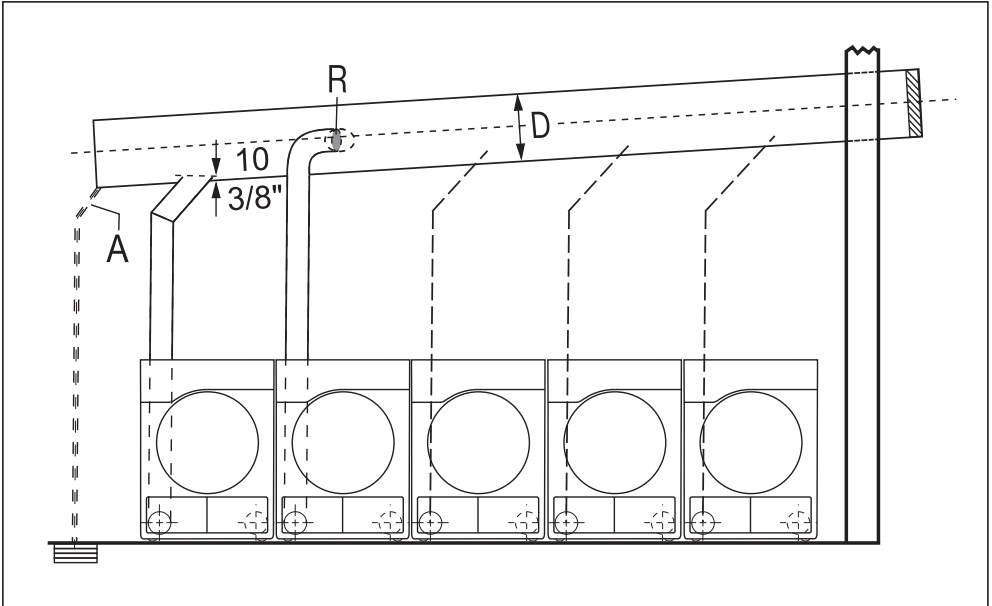
Installing the ducting

Shared exhaust-air duct

⚠ Damage and impairment to the tumble dryer and its electrical safety as a result of condensation.

Condensation in the shared exhaust-air duct can run back into the tumble dryer and cause damage.

Install the shared exhaust-air duct onto the tumble dryer in accordance with these operating instructions.



A = Drain for condensation

A drain must be installed on the shared exhaust-air duct.

R = Non-return flap

The non-return flap is installed directly on the shared exhaust-air duct.

D = Pipe diameter

Depends on the number of tumble dryers installed

A maximum of 5 tumble dryers may be installed on a shared exhaust-air duct.

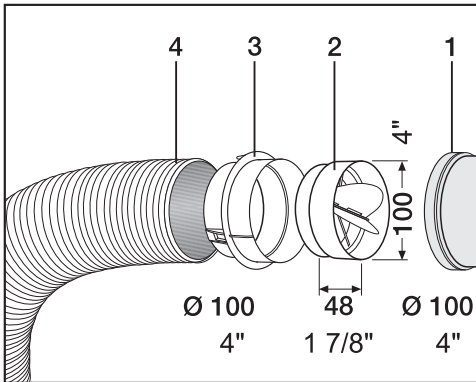
Installing the ducting

Table “Pipe diameter for shared exhaust-air ducts”

If 3–5 tumble dryers are installed on one shared exhaust-air duct, the pipe diameter **D** must be increased.

Number of tumble dryers	Factor for increasing the pipe diameters from table II
3	1.25
4–5	1.5

The method for calculating the total duct length (table I) with the necessary pipe diameter (table II) is described in “Installing the ducting” under “Calculating the total duct length”.



- ① Connection to the shared exhaust-air duct
- ② Miele Non-Return Flap*
- ③ Additional Miele Adapter*
- ④ Miele Exhaust-Air Hose*, highly flexible

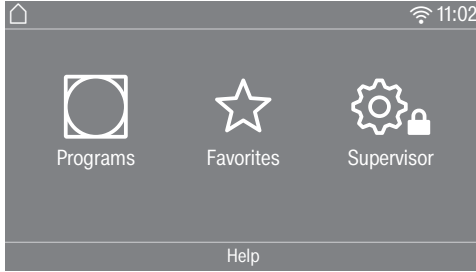
■ Press the non-return flap (2) all the way into the adapter (3).


Tip: Any parts marked with a * are optional accessories.

Technical data

Height	2' 9 7/16" (850 mm)
Width	1' 11 7/16" (596 mm)
Width (only for appliances with a stainless steel lid)	1' 11 13/16" (605 mm)
Depth	2' 4 1/4" (717 mm)
Depth with door open	3' 8 1/2" (1131 mm)
Weight	125.7 lb (57 kg)
Drum volume	34.3 gal (130 l)
Load quantity	17.6 lb (8 kg) (weight of dry laundry)
Wire length	6' 6 3/4" (2000 mm)
Connection voltage	See data tag on back of machine
Rated load	See data tag on back of machine
Fuse rating	See data tag on back of machine
Test certificates awarded	See data tag on back of machine
LEDs	Class 1
Max. floor load during operation	670 N
A-rated sound emissions L_{pA} in accordance with EN ISO 11204/11203	< 70 dB re 20 μ Pa
Frequency range	2.4000–2.4835 GHz
Maximum transmission power	< 100 mW

Opening the supervisor level



Touching the  sensor control takes you to the supervisor level.

Access via code

The supervisor level is accessed using a code.

Factory default: The code is **000**.

Change code

You can alter the supervisor-level access code to protect the tumble dryer from unauthorized access.

Carefully enter a new code.
Please inform Technical Service if you have forgotten your new code.
Technical Service will have to reset the code.
Make a note of your new code and store it in a safe place.

Demo program

In showrooms, a demo program can be started with a simulation.

A program does not start. The operational sequence is simply a simulation.

Tip: The demo program will only be available if a drying program lasting more than 1 hour has not been carried out. After this, the demo program will not be available.

Closing the settings menu

- Touch the  sensor control.

The display will then go back to the previous menu level.

- Touch the  sensor control.


The display will change to the main menu.

Controls / Display

Language

The display can be set to appear in one of several different languages. To select the language you want, go to the *Languages* sub-menu.

You can change the language as follows:


- Permanently using the supervisor level (= "Supervisor language").
- For the duration of the current program only using the  sensor control. The supervisor language is displayed again at the end of the program.

Supervisor level


Language entry

The display can be set to one of several different user languages. This setting allows you to determine how languages can be selected.

You can change the language as follows:
International


6 languages are available. The  sensor control is not active. Note the setting Set languages.

Language setting

The  sensor control can be used to select a language. All languages are available (factory default).

You can change the order of the first 4 languages. These slots are allocated to the most commonly used languages.

Standard language

The user language cannot be changed. The user language is the same as the supervisor language. The  sensor control is not active.

Set languages

The languages for the setting Language entry International can be changed.

6 languages can be selected. All languages are available.

If you wish to add a new language to the language menu:

- First select the language you want to replace.

All available languages are displayed.

- Select and confirm the language to replace the previous language.

The new language appears instead of the old one.

Display brightness

The brightness of the display can be altered. The setting depends on the various lighting conditions in the place of installation.

- It can be set to one of 10 different levels.

Clock display

After selecting the clock format, you can set the time of day.

Clock format

- Factory default: 24-hour display
- 12-hour display
- No clock

Set

- The time can be set.

Date

The date can be set after selecting the date format.

- Date format

The date can be shown starting with the day, month, or year.

- Date

The date is set.

Volume

The volume for various sounds can be changed.

The volume can be changed.

- Finish tone
 - Keypad tone
 - Welcome tone
 - Fault alarm
- The volume cannot be changed here.

Res. moisture display

In addition to displaying the drying level, the residual moisture can also be indicated as a percentage.

- Factory default: without percentages
- With percentages

Visibility parameters

Various parameters are offered/ displayed when a program is selected. You can decide which parameters should not be displayed. These parameters can then not be edited during program selection.

- Residual moisture
- Duration
- Low temperature
- Anti-crease
- Load size

Supervisor level

Display off status

The display switches off to save energy; only the *Start/Stop* sensor control flashes slowly. You can change this setting.

Changing this setting leads to increased energy consumption.

- *Off*
No switching off
- *On (10 min.) Not curr.prog.*
The display will remain on while the program is running but will go out 10 minutes after the end of the program.
- *Logo (10 min.) Not curr.prog.*
The display will remain on while the program is running but the logo will light up 10 minutes after the end of the program.
- Factory default: *On after 10 min.*
The display is switched off after 10 minutes.
- *On (30 min.) Not curr.prog.*
The display will remain on while the program is running but will go out 30 minutes after the end of the program.
- *Logo (30 min.) Not curr.prog.*
The display will remain on while the program is running but the logo lights up 30 minutes after the end of the program.
- *On after 30 min.*
The display will go out after 30 minutes.

Machine off status

In order to save energy, the tumble dryer will switch off automatically after the end of the program or if no further selection is made. You can change this setting.

Changing this setting leads to increased energy consumption.

- No switch off
- Factory default: Switch off after 15 minutes
- Switch off after 20 minutes
- Switch off after 30 minutes

Delay start

The delay start (timer) can be activated or deactivated.

- Factory default: Off
- On

SmartStart

The function to delay start changes when the *SmartGrid* setting is activated. The period of time in which the drying program will start automatically is then shown in the display: *SmartStart by*, *SmartStart in*, or *SmartFinish by*.

The program is started via an external signal.

The time period can be defined up to 24 hours. During this period, the tumble dryer waits for an external signal. If no signal is sent during the defined period, the tumble dryer starts the drying program once the defined period of time has elapsed.

Memory

The tumble dryer saves the settings that were selected last for a drying program (drying level and/or extra option, or the duration for some programs).

- Factory default: Off
- On

Temperature unit

You can select the unit for the temperature display.

- Factory default: °C / *Celsius*
- °F / *Fahrenheit*

Weight unit

You can decide whether load quantities are displayed in “kg” or “lb”.

- Factory default: kg
- lb

Logo

You can choose whether the “Miele Professional” logo or your own logo appears in the display.

Supervisor code

You can alter the access code to the supervisor level.

- Enter the existing code.
- Enter a new code.

Supervisor level

Program selection

Controls

You can select whether the tumble dryer is operated as a “laundromat” machine. Shortcuts are the easiest way to operate the machine. Operating staff are unable to change pre-set programs.

Tip: Start by configuring all necessary settings and changes to the tumble dryer before adjusting any of the options below.

Caution: When activating any of these options, the supervisor level will no longer be available. You will no longer be able to access the supervisor level via the display. Please follow the instructions below if you wish to change any other settings.

Opening the supervisor level (laundromat version)

- Switch the tumble dryer on and open the dryer door.
- ① Touch the *Start/Stop* sensor control and hold it down while carrying out steps ②–③.
- ② Close the tumble-dryer door.
- ③ Wait until the *Start/Stop sensor control, which will now be flashing quickly, lights up constantly ...*
- ④ ... and then release the *Start/Stop* sensor control.

- Standard

Factory default: All (selected) programs are available.

- Laundromat, basic

4 programs are available.

Under *Favorite programs*, you can set which 4 programs to select/modify.

- Laundromat Logo

12 programs are available.

Under *Favorite programs*, you can set which 12 programs to select/modify.

The first 3 programs can be selected directly. The remaining programs are selected via another list.

- Laundromat Logo int. time

4 time programs* with different temperature levels are time-controlled via the tumble dryer's electronic. The maximum laundry weight is 17.6 lb (8 kg).

The set value indicates the maximum running time and can be modified by the user.

* The maximum running time is specified during initial commissioning.

- External prog. selection

A communication module can be used to select the program from an external terminal.

Program packages

This allows you to specify the scope of the tumble dryer's program. You can select all of the programs or individual programs from the relevant program packages.

The program packages are described in detail under "Program overview".

Favorite programs

After switching on, you can also select a program via: ☆ Favorites. 12 programs can be stored as favorites based on your own priorities and requirements.

These favorite programs will also be made available in the

- *Laundromat Logo*
- *Laundromat, basic* control options.

You can specify the control option under *Controls*.

Tip: You can assign a different color to each program. In this case, the Program color allocation setting must be set to *On*.

Changing Favorite programs

- Select the program you wish to change or replace.
- Confirm the program or the setting to be changed.

Another menu opens, enabling you to select a new program or change the parameters.

- Confirm with the *Save* sensor control.

Your selection is now active.

Supervisor level

Reducing the number of Favorite programs

You can reduce the number of Favorite programs by “deactivating” each one individually.

- Select the program you wish to deactivate.
- Confirm the program.
- Select <empty> from the list instead of a program.

The selection in the ☆ Favorites and the selection in the Laundromat, basic and Laundromat Logo control option is reduced.

Once a program has been deactivated, ∅<empty> is displayed in its place. You can add a program back in at any time.

The number of favourite programmes can be reduced to 0 if you you "deactivate" all the programs. In this case, the selection ☆ Favorites in the main menu is no longer displayed.

Do not reduce the number of favourites to 0 if you subsequently want to set one of these control options: Laundromat Logo Laundromat, basic.
Otherwise no programme selection possible.

Changing the sequence of Favorite programs

You can change the sequence of Favorite programs by moving the programs around.

- Touch the program that you wish to move.

An orange border appears around the selected program.

- Touch the program with your finger and keep your finger pressed down.
- Drag the program to the required place.

Special programs



You can put together 5 special residual-moisture or time-controlled programs and assign your own program names.

First, enter the program name.

- Select the special program you want to change.

The **Save as** menu opens.

- Use the letters and symbols below the line to enter the name.
- Touch the **Save sensor control**.

You can now enter the parameters for a  Res. moisture program or  Timed drying.

The 5 special programs are pre-programmed at the factory. You can change these special programs.

The special programs are added to the program packages. Enter the name and settings of your special program into the “Special programs” table in the “Program overview” chapter.

Res. moisture program

- Final residual moisture:
 - 6% (dry) – 40% (damp)
- Extra drying time:
 - 0–60 minutes
- Temperature (Process air):
 - cold – 140°F (60°C)
- Cooling down temp. (Process air):
 - 100-130°F (38–55°C)
- Anti-crease
 - Drum rotation main direction:
 - 0–500 seconds
 - Pause:
 - 100–3000 seconds

- Drum reversal:
 - 0–500 seconds

Timed drying

- Running time:
 - 1–120 minutes
- Temperature (Process air):
 - cold – 140°F (60°C)
- Cooling down temp. (Process air):
 - 100-130°F (38–55°C)
- Anti-crease
 - Drum rotation main direction:
 - 0–500 seconds
 - Drum reversal:
 - 0–500 seconds
 - Pause:
 - 100–3000 seconds

Supervisor level

Sort programs

Programs can be moved within the program list and in the Favorites list.

- Factory default: Off
- On
- Select the “On” option.
- Exit Supervisor level.
- Select Programs.
- Touch the program that you wish to move.

An orange border appears around the selected program.

- Touch the program with your finger and keep your finger pressed down.
- Drag the program to the required place.

Program color allocation

You can assign a specific color to a favorite program. In the list of favorites, each favorite program is given a colored frame, which can be adjusted.

- Factory default: Off
- On

Process technology

Anti-crease

At the end of the program, the drum will continue to rotate at intervals if the laundry is not removed immediately.

Changing this setting leads to increased energy consumption.

The setting (⌘) can be switched off or a time between 1 and 12 hours can be selected.

Factory default: Off

Drying levels

Changing this setting leads to increased energy consumption.

You can alter the drying levels for the *Cottons*, *Minimum iron*, and *Automatic plus* programs.

It can be set to one of 7 different levels.

Factory default: Normal

The *Machine iron* drying level in the *Cottons* program can be individually adapted.

You can change the residual moisture in this program to one of 11 levels from 16% (more dry) to 26% (more moist).

Factory default: 20%

Service

Clean out the airways

The tumble dryer's electronic calculates the degree at which lint or detergent residue in the lint filters and air ducts are impairing performance. A message to check the contamination appears. You can decide at what level of lint this reminder should be emitted.

This prompt, which you can configure, is displayed: Clean the lint filter and rinse the .
plinth filter

- Off
The reminder does not appear.
However, if there is a very severe blockage in the ducting, the program will be canceled and the reminder will appear in the display regardless of this option.
- Heavy
The reminder only appears when there is a heavy build-up of lint.
- Factory default: normal
- Sensitive
The reminder appears when there is only a small build-up of lint.

Supervisor level

Clean the filters

The lint filter in the air-supply area must be cleaned on a regular basis. You can set an hourly interval for the reminder.

The selected hourly interval depends on how much lint tends to build up and how often you wish to clean the filter, e.g., for hygiene purposes.

You can adjust this reminder: Clean the filters

- Time interval of 5–55 hours
- Factory default: after 55 hours
- Off

Service interval

The tumble dryer shows a custom message at a selected interval to prompt you to undertake specific maintenance tasks.

3 different messages can be created: 1/2/3. Each message is created in the language and alphabet of the current supervisor language.

Your message is displayed at the end of the program and can be acknowledged with OK. The same message appears at the end of the next program.

Settings

This setting allows you to determine the interval (by hours or date) at which the message appears.

- Factory default: Off
- By time
You can then select a time interval from 1–9999 hours.
- By date
You can enter a date.

Message text

Enter your message for your planned maintenance work. You can edit one, two, or all three of the 1/2/3 messages.

Resetting the display

The message appears until the display is permanently reset. The message then appears again once the next interval is reached.

External applications

External exhaust flap

External hardware is connected via the Miele XCI Box.

The time delay between the external exhaust-air flap's activation point and the switch-on time for the drum/fan motor is regulated.

A message appears in the display while the exhaust-air flap is open.

- Factory default: Off

This option must always be selected if there is no exhaust-air flap to activate. This prevents the program from being canceled.

- On

– 0 seconds

– 1 second

– 2 seconds

...

– 300 seconds

Additional fan

External hardware is connected via the Miele XCI Box.

If an extra fan is connected, it must be switched on at the same time as the drive unit.

- Off

- On

Pressure sensor

External hardware is connected via the Miele XCI Box.

When using a shared exhaust-air duct, one tumble dryer may have to be switched off or suppressed from the outset if certain pressure levels have built up in the ducting. Because the pressure sensor is an external unit, there is the option of reading in both a logical normally open contact or a normally closed contact.

A message appears in the display while the exhaust-air flap is open.

- Off = Not active

- NO contact = Active
Responds to **high potential**

- NC contact = Active
Responds to **low potential**

Supervisor level

Peak load signal

External hardware is connected via the Miele XCI Box.

The peak-load negotiation function enables the tumble dryer to be connected to an energy-management system. When a signal is registered, the tumble dryer's heater is switched off for a short period or the appliance is prevented from being switched on. The tumble dryer may only be operated with a peak-load system if this system is connected to the tumble dryer via the Miele XCI Box.

- Factory default: No function
- Peak load with 230 V
- Peak load with 0 V
- KOM module

Peak load prevention

With this function, the application of a hygiene program is not amended when a peak-load signal is in place. The heater stays switched on.

- Factory default: Off
- On

Select KOM module

This tumble dryer is equipped with an integrated WiFi module. However, the tumble dryer can also be equipped with an external module.

- Off
- Internal module (factory default)
The internal WiFi module is used.
- External module
An XKM module or RS232 module is inserted into the module slot.

Availability of Miele digital products

The ability of Miele digital products depends on the availability of the services in your country.

The different services are not available in all countries.

For information about availability, please visit www.miele.com.

WiFi / LAN

For the use of WiFi / LAN additional Miele digital products are necessary. The ability of Miele digital products depends on the availability of the services in your country.

The different services are not available in all countries.

For information about availability, please visit www.miele.com.

Control the networking of your tumble dryer.

- The WiFi connection will be reset to the factory default setting

- Setup
This message only appears if the tumble dryer has not yet been connected to a WiFi network.
- Deactivate (visible when the network is activated)
The network remains set up; the WiFi function is switched off.
- Activate (visible when the network is deactivated)
The WiFi function is reactivated.
- Connection status (visible when the network is activated)
The following values are displayed:
 - The quality of WiFi reception
 - The network name
 - The IP address
- Reset (visible when set up)
Resets the WiFi login (network) to immediately re-establish a new connection.
- Reset (visible if already set up)
The network is no longer set up. A new connection has to be established in order to use the network again.
 - The WiFi is switched off

Supervisor level

WiFi setup

There are 2 possible connection methods.

Via WPS

- Activate the WPS function on your router within 2 minutes.

Tip: If the connection has not been set up when the timeout has finished counting down, repeat the process.

via Soft AP

- Activate the function with the Miele app on your smart device within 10 minutes.

Network time

The date and time can be synchronized over the network.

- Off

The date and time are not synchronized over the network.

- As master

The machines are in a network but are not connected to the Internet. A machine is declared as the master and sends data to the *slave* appliances.

- As slave

The machines are in a network and are connected to the Internet. All machines are configured as *slaves*. Data is synchronized over the Internet.

Remote

Programs are selected on an external terminal.

Remote Update

The RemoteUpdate function is used for updating the software in your tumble dryer.

Factory default: On

If you do not install a RemoteUpdate, you can continue to use your tumble dryer in the usual way. However, Miele recommends installing RemoteUpdates.

Activation

The RemoteUpdate menu option is only displayed and can only be selected if you have added your tumble dryer to your WiFi network.

Miele's RemoteUpdate function can only be used if the tumble dryer is connected to a WiFi network and you have an account in the Miele Professional app. The tumble dryer must be registered in the app.

See the Miele Professional app for terms and conditions of use.

Some software updates can only be carried out by Miele Technical Service.

Running a RemoteUpdate

If a RemoteUpdate is available for your tumble dryer, it will be displayed automatically when the supervisor level is open.

You can choose to start the RemoteUpdate immediately or wait until later. If you select "Start later", the prompt to run the RemoteUpdate will be displayed again the next time you switch on your tumble dryer.

The RemoteUpdate can take a few minutes.

Please note the following information about the RemoteUpdate function:

- You will only receive a message when a RemoteUpdate is available.
- Once a RemoteUpdate has been installed, it cannot be undone.
- Do not switch off the tumble dryer during a RemoteUpdate. Otherwise, the RemoteUpdate will be aborted and will not be installed.

SmartGrid

The SmartGrid setting is only visible if a WiFi network has been set up and activated. You can use this function to integrate your tumble dryer into building energy management systems.

Factory default: Off

Supervisor level

Machine parameters

Legal Information

Open Source Licenses

You can view information here.

Copyrights and licenses for operator and control software

Miele uses their own and third party software which is not subject to any so-called open source license for the operation and control of the machine. This software/these software components are protected by copyright. The copyright powers of Miele and third parties have to be respected.

Furthermore, this machine contains software components which are distributed under open source license conditions. Please refer to the menu item Settings | Machine parameters | Legal information | Open source licenses in the machine for the Open Source components contained therein, together with the corresponding copyright notices, copies of the licensing conditions valid at the time, and any further information. The liability and warranty provisions of the open source licensing conditions as stated therein apply only in relation to the respective rights holders.

Please have the model and serial number
of your machine available when
contacting Technical Service.

U.S.A.

Miele, Inc.

National Headquarters

9 Independence Way
Princeton, NJ 08540
Phone: 800-991-9380
www.mieleusa.com/professional
prosales@mieleusa.com

Technical Service & Support

Phone: 800-991-9380
proservice@mieleusa.com

Canada

**Importer
Miele Limited**

Professional Division

161 Four Valley Drive
Vaughan, ON L4K 4V8
Phone: 1-888-325-3957
www.mieleprofessional.ca
professional@miele.ca

Miele Professional Technical Service

Phone: 1-888-325-3957
serviceprofessional@miele.ca



Manufacturer: Miele & Cie. KG
Carl-Miele-Straße 29, 33332 Gütersloh, Germany

PDR 908 EL

en-US

M.-Nr. 12 450 580 / 00