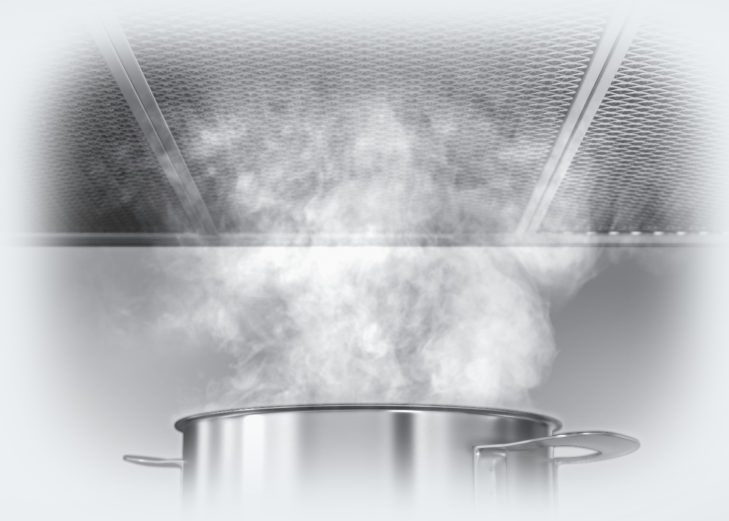


## Operating and installation instructions Rangehood



To prevent the risk of accidents or damage to the appliance, it is **essential** to read these instructions before it is installed and used for the first time.

# Contents

---

<b>Warning and Safety instructions</b> .....	3
<b>Caring for the environment</b> .....	12
<b>Description of the functions</b> .....	13
<b>Guide to the appliance</b> .....	14
<b>Operation</b> .....	16
Switching the fan on.....	16
Selecting a power level .....	16
Run-on time.....	16
Switching the fan off .....	16
Switching the cooktop lighting on/off .....	16
Power management .....	17
Switching Power management on/off .....	17
Safety switch-off .....	18
<b>Energy saving tips</b> .....	19
<b>Cleaning and care</b> .....	20
Housing .....	20
Important for appliances with lacquered casing .....	20
Grease filters .....	21
NoSmell active charcoal filter.....	23
Disposing of charcoal filters .....	23
Reactivatable charcoal filter .....	23
Changing a lamp .....	24
<b>Installation</b> .....	25
Before installation.....	25
Assembly parts.....	25
Appliance dimensions .....	26
Safety distance (S) .....	27
Installation recommendations .....	28
Protective foil.....	29
<b>Connection for air extraction</b> .....	40
Condensate trap.....	41
Silencer.....	41
<b>Electrical connection</b> .....	42
<b>After sales service and warranty</b> .....	43
Position of the data plate .....	43
Warranty .....	43
<b>Technical data</b> .....	44

## Warning and Safety instructions

This rangehood complies with all relevant local and national safety requirements. However, inappropriate use can lead to personal injury and damage to property.

Read the operating and installation instructions carefully before using the rangehood. They contain important information on the safety, installation, use and maintenance of the appliance. This prevents both personal injury and damage to the rangehood.

In accordance with standard IEC 60335-1, Miele expressly and strongly advises that you read and follow the instructions in “Installation” and in the “Warning and Safety instructions”.

Miele cannot be held liable for injury or damage caused by non-compliance with these instructions.

Keep these instructions in a safe place and pass them on to any future owner.

### Correct application

- ▶ This rangehood is designed for domestic use and for use in similar environments by guests in hotel or motel rooms, bed & breakfasts and other typical living quarters. This does not include common/shared facilities or commercial facilities within hotels, motels or bed & breakfasts.
- ▶ The appliance is not suitable for outdoor use.
- ▶ It must only be used to extract vapours and remove odours from cooking.  
Any other usage is at the owner's risk. Miele cannot be held liable for damage resulting from incorrect or improper use or operation.
- ▶ The rangehood cannot be used to ventilate the room in which it is installed in recirculation mode above a gas cooktop. Please seek the advice of a qualified gas fitter for more information if necessary.

## Warning and Safety instructions

---

▶ This appliance is not intended for use by persons (including children) with reduced physical, sensory or mental capabilities, or lack of experience and knowledge, unless they have been given supervision or instruction concerning its use by a person responsible for their safety, and are able to recognise the dangers of misuse.

### Safety with children

▶ Young children must not be allowed to use the rangehood.

▶ Older children may only use the rangehood if its operation has been clearly explained to them and they are able to use it safely. They must be able to understand and recognise the possible dangers caused by incorrect operation.

▶ Cleaning work may only be carried out by older children under the supervision of an adult.

▶ Children should be supervised near the appliance. Ensure that they do not play with the appliance.

▶ The cooktop lighting is very intense.

Ensure, in particular, that babies/small children do not look directly at the light.

▶ Danger of suffocation! Whilst playing, children may become entangled in packaging material (such as plastic wrapping) or pull it over their head with the risk of suffocation. Keep packaging material away from children.

## Technical safety

- ▶ Unauthorised installation, maintenance and repairs (including removal of any cover) can cause considerable danger for the user. Installation, maintenance and repairs must only be carried out by a Miele authorised technician.
- ▶ A damaged appliance can be dangerous. Check it for visible signs of damage. Do not use a damaged appliance.
- ▶ The electrical safety of this appliance can only be guaranteed when continuity is complete between it and an effective earthing system. It is most important that this basic safety requirement is present and tested regularly and, where there is any doubt, the household wiring system should be inspected by a qualified electrician.
- ▶ Reliable and safe operation of this rangehood can only be assured if it has been connected to the mains electricity supply.
- ▶ The connection data (voltage and frequency) on the data plate of the rangehood must match the mains electricity supply in order to avoid the risk of damage to the rangehood.  
Compare this before connecting the appliance to the mains electricity. If in doubt, consult a qualified electrician.
- ▶ Do not connect the appliance to the mains electricity supply by a multi-socket unit or an extension lead. Extension leads are a fire hazard and do not guarantee the required safety of the appliance.
- ▶ For safety reasons, this appliance may only be used after it has been built in.
- ▶ This rangehood must not be installed and operated in mobile installations (e.g. on a ship).

## Warning and Safety instructions

---

▶ Tampering with electrical connections or components and mechanical parts is highly dangerous to the user and can cause operational faults.

Only open the housing as described in the instructions given in the installation sheet and in the “Cleaning and care” section of this booklet. Under no circumstances should any other parts of the housing be opened.

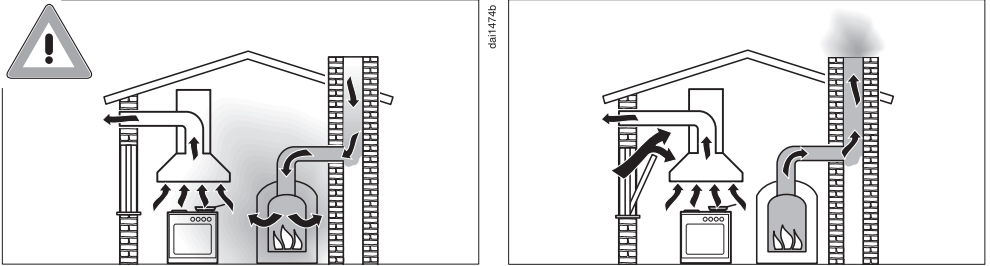
▶ Faulty components must only be replaced by genuine Miele spare parts. The manufacturer can only guarantee the safety of the appliance when Miele replacement parts are used.

▶ During installation, maintenance and repair work, the appliance must be disconnected from the mains electricity supply. It is only completely isolated from the electricity supply when:

- the mains circuit breaker is switched off, or
- it is switched off at the wall socket and the plug is withdrawn from the socket. Do not pull the mains connection cable but the mains plug to disconnect your appliance from the mains electricity supply.

# Warning and Safety instructions

Using at the same time as other heating appliances that depend on the air from the room



## Danger of toxic fumes!

Great care should be taken when using the rangehood in the same room or the same area of the house as another heating appliance that depends on the air from the room.

Such heating appliances draw in air from the room and duct exhaust gases out through a chimney or extraction ducting. They include gas, oil, wood and coal-fired boilers and heaters, continuous flow or other water heaters, gas cooktops and ovens.

The rangehood draws in air from the kitchen and from neighbouring rooms. This applies to the following modes of operation:

- extraction mode
- recirculation mode with a recirculation box installed outside the room.

If there is insufficient air, an underpressure will occur. The heating appliance may be starved of oxygen. This impairs combustion. Harmful gases could be drawn from the chimney or extraction ducting back into the room.

This could have potentially fatal consequences. Risk of death!

## Warning and Safety instructions

---

In order to ensure safe operation and to prevent gases given off by a heating appliance from being drawn back into the room, when the rangehood and the heater are both operated simultaneously, an underpressure in the room of 0.04 mbar (4 Pa) is the maximum permissible.

Sufficient ventilation can be maintained by air inlets which cannot be blocked, e.g. in windows, doors and outside wall vents. The diameter of the inlet openings must enable sufficient ventilation. A ventilation brick alone is not generally sufficient to ensure safe ventilation.

The overall ventilation condition of the dwelling must be taken into account. If in any doubt, the advice of a competent builder or, for gas, a qualified gas fitter (registered with an official gas safety body in accordance with national safety regulations) must be sought.

If the rangehood is being operated in recirculation mode, whereby the air is redirected into the room in which it is installed, the above restrictions do not apply.



## Correct use

▶ Open flames are a fire hazard!

Never use an open flame under the rangehood. To avoid the danger of fire, do not flambé or grill over an open flame. When switched on, the rangehood could draw flames into the filter. Kitchen grease deposits could ignite.

▶ The rangehood can become damaged when exposed to excessive heat.

- When using the rangehood over a gas cooktop, ensure that any burners in use are always covered by a pan. Switch the cooking zone off when a pan is removed, even for a short time.
- Select a pan which is suitable for the size of the burner.
- Regulate the flame so that it does not burn up the sides of the pan.
- Avoid overheating the pan (e.g. when cooking with a wok).

▶ Always switch the rangehood on when a cooking zone is in use, otherwise condensation may collect in the rangehood, which could cause corrosion.

▶ Overheated oil and fat can ignite, causing fire damage to the rangehood.

When cooking with oil or fat, chip pans and deep fat fryers etc., do not leave the pans unattended. Similarly, never leave an open grill unattended when grilling.

▶ Do not use the rangehood without the filters in place. This way you will avoid the risk of grease and dirt getting into the appliance and hindering its smooth operation.

▶ There is a risk of fire if cleaning is not carried out as described in these operating instructions.

## Warning and Safety instructions

---

▶ The rangehood can get very hot during cooking due to heat rising from the cooktop.

Do not touch the housing or the grease filters until the rangehood has cooled down.

▶ This rangehood is not suitable for placing objects on.

### Correct installation

▶ Refer to the cooktop manufacturer's instructions as to whether a rangehood may be operated above the cooktop.

▶ Safety regulations prohibit the fitting of a rangehood over solid fuel stoves.

▶ An insufficient safety distance between the cooktop and the rangehood can result in damage to the rangehood.

The minimum safety distances between the top of the cooktop and the bottom of the rangehood given in the “Installation” section of this booklet must be observed, unless the cooktop manufacturer states that a greater safety distance is required.

If more than one cooking appliance is fitted beneath the rangehood, and they have different minimum safety distances to the rangehood, select the greater distance.

▶ The distances given in “Installation” must be observed when fitting the rangehood.

## Warning and Safety instructions

---

- ▶ There may be a risk of injury due to protruding parts and sharp edges.  
Wear gloves that offer protection against cuts during assembly.
- ▶ All ducting, pipework and fittings must be of non-flammable material and comply with all relevant national and local building regulations.
- ▶ The appliance must not be connected to a chimney or vent flue which is in current use for exhausting fumes from appliances burning gas or other fuels. Neither should it be connected to ducting which ventilates rooms with fireplaces.
- ▶ If exhaust air is to be extracted into a chimney or ventilation duct no longer used for other purposes, seek professional advice.

### Cleaning and care

- ▶ Do not use a steam cleaning appliance to clean this appliance. The steam could reach electrical components and cause a short circuit.
- ▶ In areas which may be subject to infestation by cockroaches or other vermin, pay particular attention to keeping the machine and its surroundings in a clean condition at all times. Any damage which may be caused by cockroaches or other vermin will not be covered by the machine warranty.

### Accessories

- ▶ Use only genuine original Miele spare parts. If spare parts or accessories from other manufacturers are used, the warranty will be invalidated, and Miele cannot accept liability.

# Caring for the environment

---

## Disposal of the packing material

The transport and protective packaging has been selected from materials which are environmentally friendly for disposal, and can normally be recycled.

Recycling the packaging reduces the use of raw materials in the manufacturing process and also reduces the amount of waste in landfill sites. Ensure that any plastic wrappings, bags etc. are disposed of safely and kept out of the reach of babies and young children. Danger of suffocation.

## Disposing of your old appliance

Electrical and electronic appliances often contain valuable materials. They also contain specific materials, compounds and components, which were essential for their correct function and safety. These could be hazardous to human health and to the environment if disposed of with your domestic waste or if handled incorrectly. Please do not, therefore, dispose of your old appliance with your household waste.



Please dispose of it at your local community waste collection / recycling centre for electrical and electronic appliances. You are also responsible for deleting any personal data that may be stored on the appliance prior to disposal. Please ensure that your old appliance poses no risk to children while being stored prior to disposal.

Depending on the model of the rangehood, the following options are available:

## Air extraction mode



daib0484a

The air is drawn in and cleaned by the grease filters and directed outside.

## Non-return flap

A non-return flap fitted in the exhaust air system ensures that when the rangehood is not in operation the duct is closed and no exchange of room air and outside air can take place. The flap is closed when the rangehood is switched off. When the rangehood is switched on, the non-return flap opens for the cooking vapours to be blown directly outside.

If the on-site exhaust air system does not have a non-return flap, one is supplied with the rangehood. It must be fitted in the exhaust socket on the motor unit.

## Recirculation mode

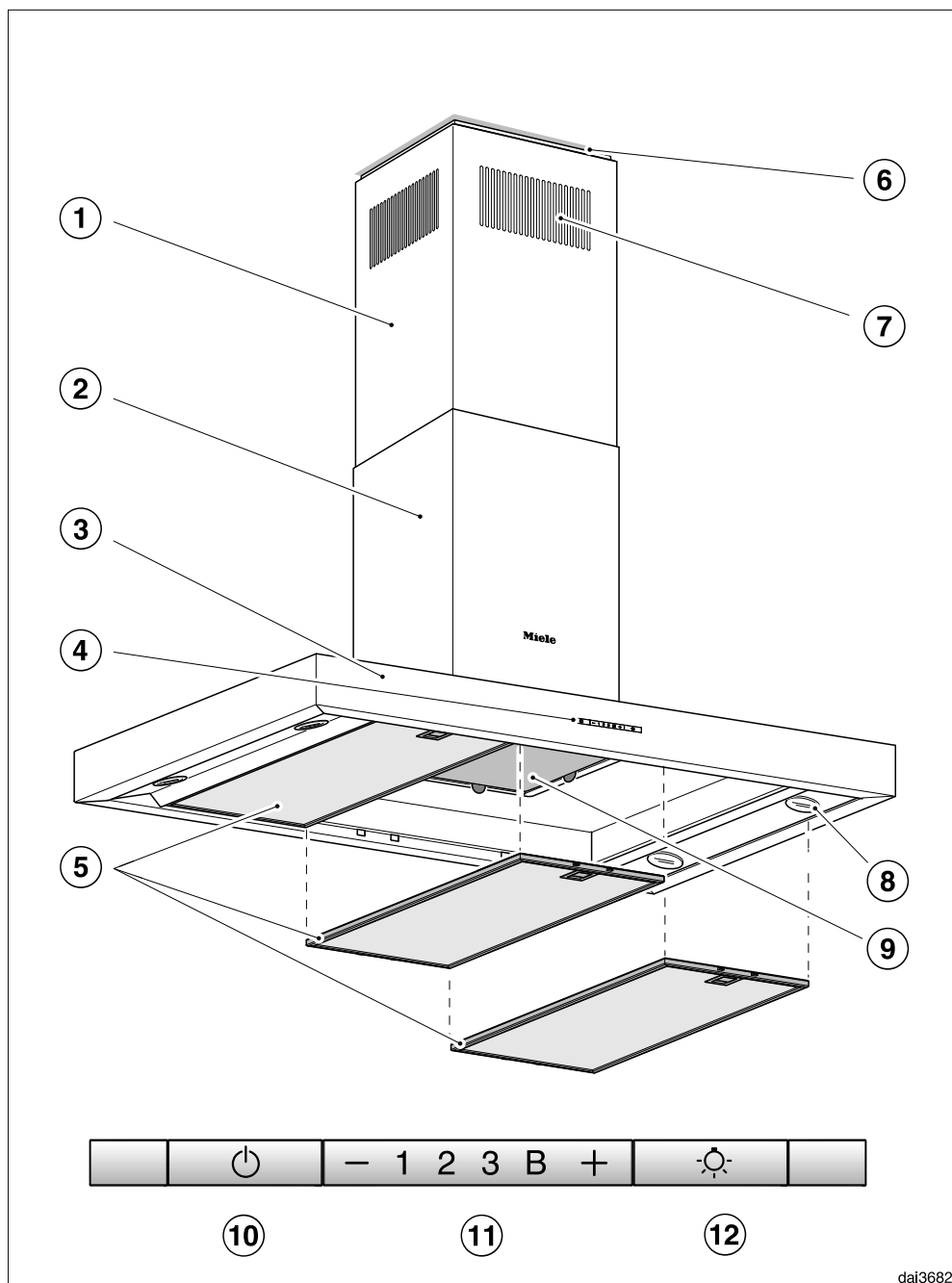
(available as an optional extra with a conversion kit and charcoal filter: see “Technical Data”)



daib0494b

The air is drawn in and cleaned first by the grease filters and then by a charcoal filter. The cleaned air is then recirculated back into the kitchen.

# Guide to the appliance



dai3682

- ① Telescopic extension piece
- ② Tower
- ③ Canopy
- ④ Controls
- ⑤ Grease filters
- ⑥ Spacer frame  
The spacer frame creates a shadow gap between the tower and the ceiling. The rangehood can be installed with or without the spacer frame.
- ⑦ Recirculation grilles  
(only for recirculation mode)
- ⑧ Cooktop lighting
- ⑨ NoSmell active charcoal filter  
(special accessory for recirculation mode)
- ⑩ On/Off touch control for the fan
- ⑪ Touch controls to select the fan power setting
- ⑫ Touch control for the cooktop lighting


# Operation

---

## Switching the fan on

Switch the fan on as soon as you start cooking. This is to ensure that vapours are captured right from the start.

- Press the On/Off touch control .

The fan will switch on at setting **2**. The  symbol and **2** will light up in the power level display.

## Selecting a power level

For light to heavy cooking vapours and odours, select from power levels **1** to **3**.

For short periods of cooking food with intensive vapours and a strong aroma, e.g. when searing meat, select Booster setting **B**.

- Select the power level you want by pressing the **—** or **+** controls.

## Reducing power down from the Booster setting

If Power management is activated (default setting), the fan automatically switches back to level **3** after 5 minutes.


## Run-on time

- It is advisable to run the fan for a few minutes after cooking has finished.

This helps to remove any lingering vapours and odours from the air.

It also reduces the risk of residues accumulating in the rangehood and any resultant odours.

## Switching the fan off


- Press the On/Off touch control  to switch the fan off.

The  symbol will go out.

## Switching the cooktop lighting on/off

The cooktop lighting can be switched on and off independently of the fan.

- To do so press the lighting control .

The  symbol will light up when the cooktop lighting is switched on.



## Power management

The rangehood is fitted with a Power management system. The Power management system is designed to help save energy. It ensures that the fan power level is reduced automatically and that the lighting is switched off.

- If the Booster setting has been selected, the fan will automatically switch to setting 3 after 5 minutes.
- From fan power levels 3, 2 and 1, the power will be reduced by one level after 2 hours and then in 30-minute stages until the fan finally switches off.
- The cooktop lighting will switch off automatically after 12 hours.



You can deactivate Power management.

Keep in mind that deactivating this function may increase energy consumption.

## Switching Power management on/off

You can deactivate the Power management.

Keep in mind that this may increase energy consumption.

- To set this option, both the fan and the cooktop lighting must be switched off.
- Press the — and + controls at the same time for approx. 10 seconds, until **1** lights up.
- Then press in turn:
  - the lighting control ,
  - then the — touch control, and
  - the lighting control  again.

If Power management is switched on, the **1** and **B** indicators light up constantly.


When it is switched off, the **1** and **B** indicators flash.

- Press — to switch Power management off.

The **1** and **B** indicators will flash.

- To switch it on, press +.

The **1** and **B** indicators will light up constantly.

- Confirm your choice with the On/Off control .

All the indicator lights will go out.



If you don't confirm your selection within 4 minutes, the rangehood will automatically revert to the previous setting.

# Operation

---

## Safety switch-off


If Power management has been deactivated, the rangehood will switch itself off automatically after 12 hours if it has been left on (fan and cooktop lighting).

- To switch it back on press the On/Off  control or the lighting control .

This rangehood operates very efficiently and economically. The following will help you to save even more energy when using it:

- Ensure that there is sufficient ventilation in the kitchen when cooking. In extraction mode, if there is insufficient air flow the rangehood cannot operate efficiently and this causes increased operating noise levels.
- Always cook with the lowest possible setting. This produces fewer cooking vapours, so you can use a lower rangehood power level and therefore benefit from reduced energy consumption.
- Check the power level selected on the rangehood. A lower power level is generally sufficient for the majority of cooking. Only use the Booster setting when necessary.
- When a large volume of cooking vapours are being produced, switch to a high power level in good time. This is more efficient than operating the rangehood for longer to try to capture cooking vapours which have already been distributed throughout the kitchen.
- Make sure that you switch the rangehood off after use.
- Clean or change the filters at regular intervals. Heavily soiled filters reduce performance, increase the risk of fire and are unhygienic.

# Cleaning and care

 Before carrying out any maintenance or cleaning, the rangehood must be disconnected from the electricity supply (see “Warning and Safety instructions”).


## Housing

### General information

Unsuitable cleaning agents can damage the surfaces and control elements.

Do not use any cleaning agents containing soda, acid, chloride, or solvent.

Do not use any abrasive cleaning agents, e.g. powder cleaners or cream cleaners and abrasive sponges, or pot scourers or sponges which have been used previously with abrasive cleaning agents.

 Moisture in the rangehood can cause damage.  
Make sure that water does not get into the rangehood.

- Clean all surfaces and control elements using a small amount of warm water and dishwashing liquid. Apply with a soft sponge.
- After cleaning, wipe the surfaces dry using a soft cloth.

### Important information for appliances with stainless steel surfaces

This information does not apply to the control elements.

Stainless steel surfaces can be cleaned with a non-abrasive cleaning agent designed specifically for use on stainless steel.

To prevent the surfaces from quickly becoming dirty again, we recommend treating them with a stainless steel care product (available from Miele).

### Important for appliances with lacquered casing

(special order finish)

Minor scratches on the surface are inevitable when cleaning the casing; they may be visible depending on the lighting in the kitchen.

## Important information for the control elements

If soiling is not removed promptly, it could cause the control elements to alter or discolor.

Remove any soiling immediately.

The surface of the control elements can be damaged if they are cleaned using stainless steel cleaning agents. Do not use stainless steel cleaning agents on the control elements.

## Grease filters

 Fire hazard!

Oversaturated grease filters are a fire hazard.

Clean the grease filters at regular intervals.

The re-usable metal grease filters in the appliance remove solid particles (grease, dust, etc.) from the kitchen vapours, preventing soiling of the rangehood.


The grease filters must be cleaned at regular intervals.

Heavily soiled grease filters hinder air extraction and will lead to increased levels of soiling in the rangehood and in the kitchen.

## Grease filter cleaning intervals

Accumulated grease solidifies over a longer period of time and makes cleaning more difficult. The grease filters should therefore be cleaned every 3 to 4 weeks.

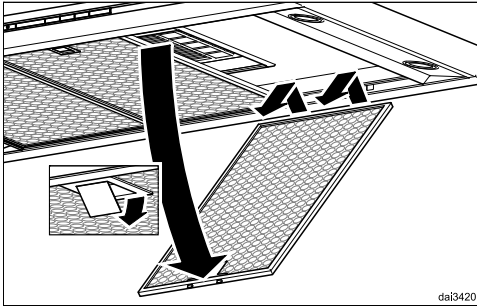
## Removing the grease filter

 When handling the grease filter, be careful not to drop it.

This can result in damage to the filter and the cooktop below.

Make sure you hold the filter securely at all times when handling it.

# Cleaning and care



- To take out the grease filter, release the locking clip on the filter, lower the filter approx. 45°, unhook it at the back and remove it.

## Cleaning the grease filters by hand

- Clean the filters with a soft nylon brush in a mild solution of hot water and a small amount of washing-up liquid. Do not use undiluted washing up liquid.

## Unsuitable cleaning agents

Unsuitable cleaning agents can cause damage to the surface of the filters if used regularly.

Do not use:

- cleaning agents containing descaling agents,
- powder cleaners or cream cleaners,
- aggressive all-purpose cleaning agents or spray cleaners for grease,
- oven sprays.

## Cleaning the grease filters in the dishwasher

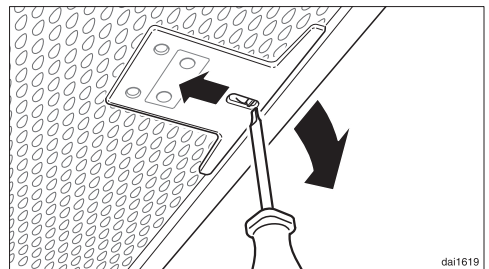
- Place the grease filters upright or slightly inclined in the lower basket. Ensure the spray arm is not obstructed.

- Use a standard household dishwasher detergent.
- Select a dishwasher programme with a wash temperature between 50 °C and 65 °C.

Depending on the detergent used, cleaning the filters in the dishwasher may cause the inside filter surfaces to become discoloured. This will not affect the functioning of the grease filters in any way.

## After cleaning

- After cleaning, leave the filters to dry on an absorbent surface before refitting them.
- When removing the filters for cleaning, also clean off any residues of oil or fat from the now accessible housing to prevent the risk of these catching fire.
- Replace the grease filters, making sure that the locking clips are facing down towards the cooktop.



- If a grease filter is inadvertently refitted upside down, insert a small screwdriver blade into the slit to disengage the clip.

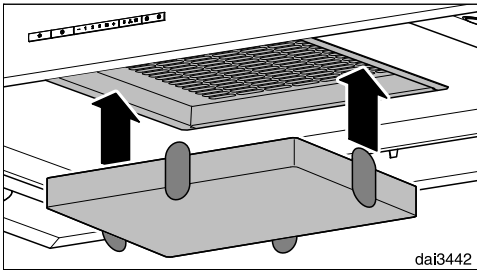
## NoSmell active charcoal filter

With recirculation mode, a charcoal filter must be fitted in addition to the grease filters. The charcoal filter is designed to absorb cooking odours.

The charcoal filter is fitted in the canopy above the grease filters.

### Fitting/replacing the charcoal filter

- Remove the grease filters before fitting or replacing the charcoal filter.
- Take the charcoal filter out of its packaging.



- Press the charcoal filter into the frame.
- Refit the grease filters.

## When to change the NoSmell active charcoal filter

- Replace the charcoal filter when it no longer absorbs kitchen odours effectively.  
It should be replaced at least every 6 months.

## Disposing of charcoal filters

- Used charcoal filters can be disposed of with the normal household waste.

## Reactivatable charcoal filter

Reactivatable charcoal filters are available for this rangehood. They can be used several times after being reactivated in the oven.

- Please follow the operating instructions supplied with the filter.

Charcoal filters are available to order via the Miele online shop (see end of this booklet for contact details) or directly from Miele.

The charcoal filters are listed under “Technical data” at the back of this booklet.

# Cleaning and care

## Changing a lamp

Use only the lamps specified for use with this appliance.

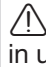
Other lamps, e.g. halogen lamps, may be damaged due to the high generation of heat.

The lamps should be replaced with the following:

Manufacturer ..... EGLO  
Lamp type ..... GU10  
Specification..... 12981  
Wattage ..... 3 W  
ILCOS D Code..... DR-3-H-GU10-50/56

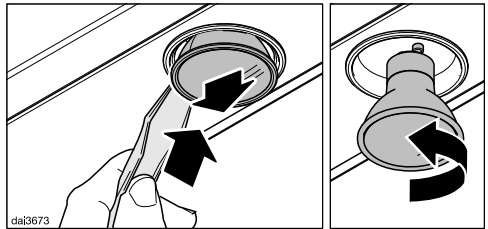
These lamps are available from Miele.

- Switch off the fan and the lighting.

 The lamps can get very hot when in use.

Allow the lamps to cool down for a few minutes before changing them.

- Disconnect the rangehood from the electricity supply before replacing the lamps (see “Warning and Safety instructions”).




- Insert the lever supplied into the gap between the lamp and the lamp holder.

The lamp will drop downwards.

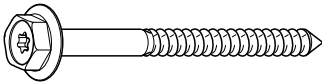
- Grip the lamp, turn it anti-clockwise and take it out.
- Screw the new lamp into the socket and push it upwards. Please follow the manufacturer's instructions.



## Before installation

 Before installation, it is important to read the information given on the following pages as well as the “Warning and Safety instructions” at the beginning of this booklet.

## Assembly parts



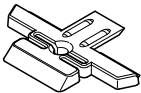
**4 screws, 7 x 110 mm** and



**4 plugs, 10 x 80 mm**  
for securing the rangehood to the ceiling

The screws and plugs are for use in concrete ceilings only.

The plugs must only be used together with 7 x 110 mm screws. For other types of ceiling construction, alternative fixings will be required. Make sure the ceiling is able to take the weight of the rangehood.



**4 extension piece holders**  
for aligning and securing the telescopic extension piece



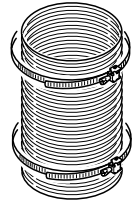
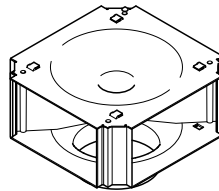
**4 screws M4 x 8.5 mm**  
for securing the extension piece holders



**14 screws M4 x 8 mm**  
for securing the spacer frame and securing the rangehood to the installation frame



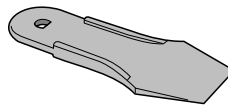
**1 screw M4 x 16 mm**  
for securing the tower



## Conversion kit for recirculation mode (DUI 32)

(not supplied, available as an optional accessory) The kit includes a directional unit, aluminium hose and hose clips.

Keep the following in a safe place:



**1 lever**  
for replacing lamps.

06462161

06095672

07662740

08162250

08162240

6683149

06571140

00033716



## Safety distance (S)

The minimum distances between the cooking surface of a cooktop (pan support(s) for gas models) and the bottom of the rangehood are as follows, unless a greater distance is specified by the manufacturer of your cooking appliance. See also “Warning and Safety instructions”.

Cooking appliance	Minimum distance S
Electric cooktop	600 mm (AU, NZ) 450 mm (HK, MY, SG, TH, TW)
Electric grill, deep fat fryer (electric)	650 mm
Multi-burner gas cooktop with maximum 45.4 MJ/h total output, with no burner having a greater output than 16.2 MJ/h.	650 mm
Multi-burner gas cooktop with total output greater than 45.4 MJ/h, but with a maximum of 77.8 MJ/h, with no burner having a greater output than 17.3 MJ/h.	760 mm
Multi-burner gas cooktop with total output greater than 77.8 MJ/h, with a single burner having a greater output than 17.3 MJ/h.	Not possible
Single burner gas cooktop with a maximum output of 21.6 MJ/h.	650 mm
Single burner gas cooktop with an output greater than 21.6 MJ/h, but with a maximum of 29.2 MJ/h.	760 mm
Single burner gas cooktop with an output greater than 29.2 MJ/h.	Not possible

# Installation

---

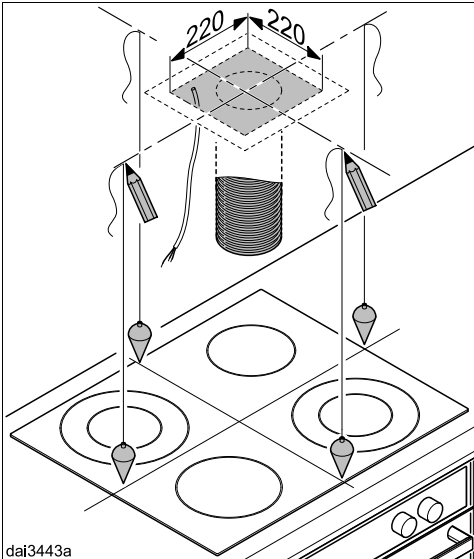
## Installation recommendations

- When deciding on the safety distance between the cooktop and rangehood, please note that a distance of 650 mm above electric cooktops may be preferable to give more working space under the rangehood.
- Account should also be taken of the height of the person who will be using the rangehood most often. They should have sufficient space to work comfortably at the cooktop, and be able to reach the rangehood controls with ease.
- If positioned too high, extraction will be inefficient.
- To achieve optimum vapour extraction, the rangehood must be centred over the cooktop, not to the side or behind it.
- The cooktop should be no wider than the rangehood and, if possible, it should be narrower, especially for safety distances greater than 750 mm.
- The installation area must be easily accessible. The rangehood should be easily accessible and easy to dismantle in the event that service is required. This should be taken into consideration when planning the position of cupboards, shelves, ceilings or features in the vicinity of the rangehood.

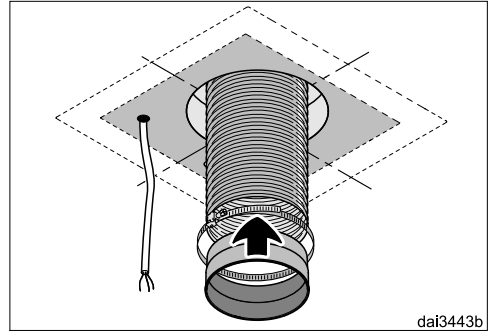
## Protective foil

The housing components have protective foil around them to prevent them from transport damage.

- Please remove this foil before fitting the housing components. It can be peeled off easily.

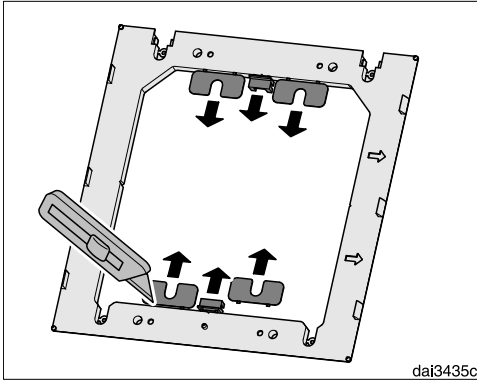


- Draw two intersecting lines on the ceiling.

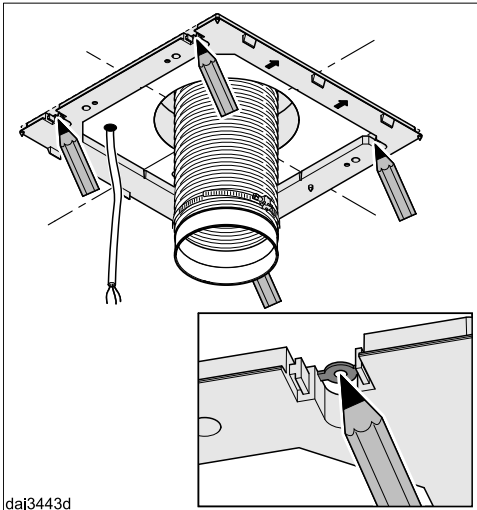


- With air extraction mode:
  - Place a section of the exhaust ducting in the ceiling and feed it down through the cross-sectional area as illustrated. Exhaust ducting of approx. 700 mm in length is required between the ceiling and the rangehood exhaust socket.
  - Secure the exhaust ducting to the exhaust socket, e.g. with a hose clip (available as an optional accessory) on flexible ducting.
- Place the mains cable in the ceiling and guide it through the ceiling in the area shown. A mains cable of approx. 700 mm in length is required between the ceiling and the rangehood connectors.

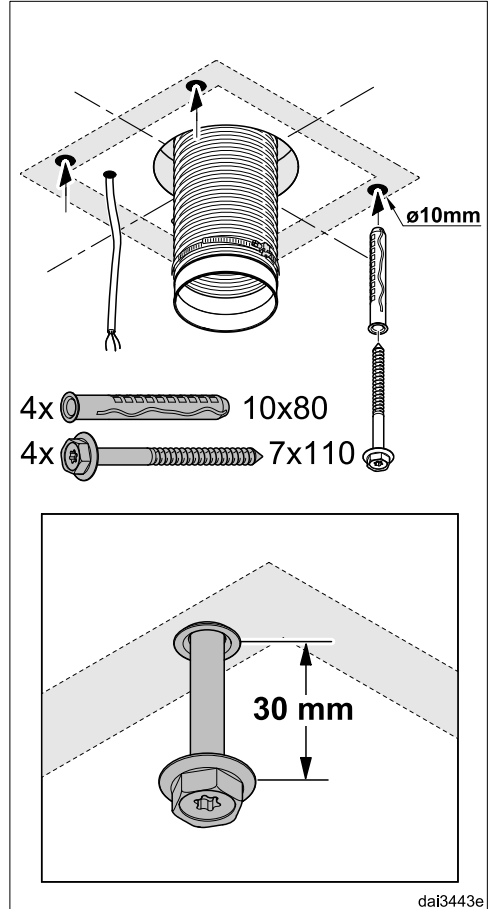
# Installation



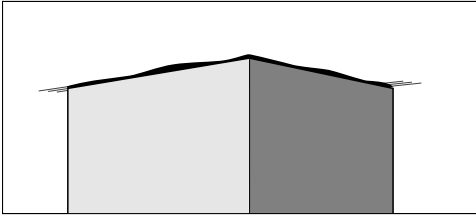
- Use a knife to release the four spacers and the two covers from the spacer frame supplied.



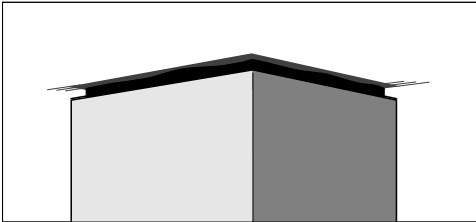
- Use the spacer frame as a drilling template. Place it on the ceiling with the arrows pointing forwards. Using the notches, align the spacer frame on the intersecting lines and make pencil marks for the drill holes.



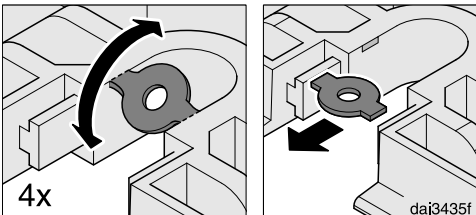
- Drill four holes  $\varnothing$  10 mm, approx. 115 mm deep for the plugs supplied.
- Place the four plugs in the holes and screw in the 4 screws so that they protrude by approx. 30 mm.



dai3152

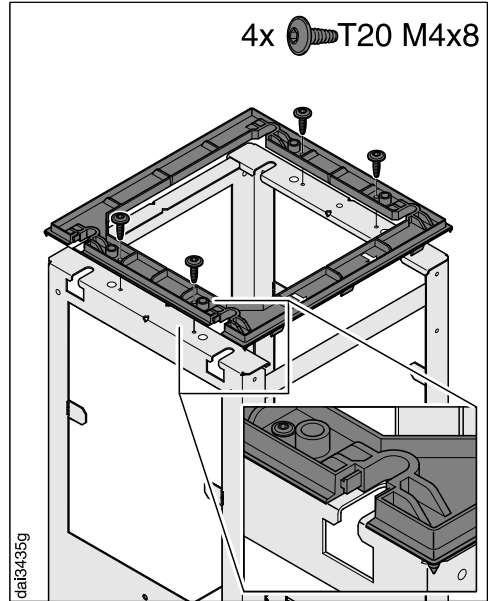


The **spacer frame** can be installed between the tower and the ceiling. This creates a shadow which gives the illusion of a gap between the ceiling and the tower. This is useful if the ceiling is not level or is uneven. The rangehood is aligned vertically with the spacers supplied. Visual irregularities between the tower and the ceiling are then concealed by the shadow.



dai3435f

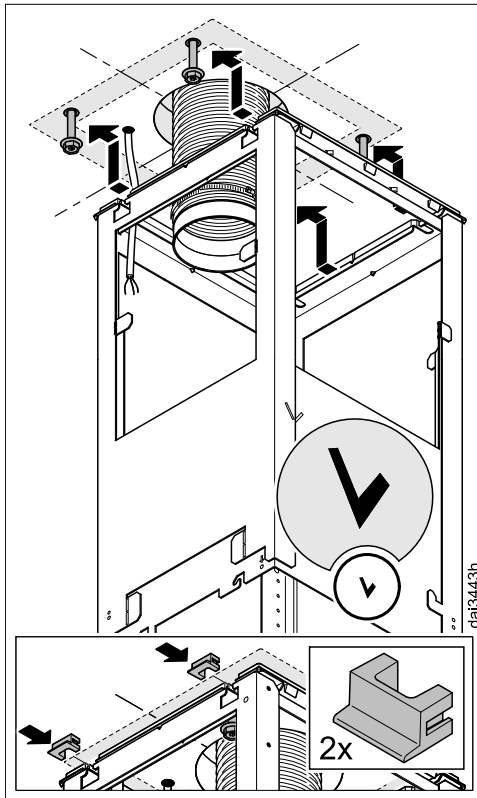
- If you wish to install the rangehood with the spacer frame, remove the four inserts from the fixing holes.



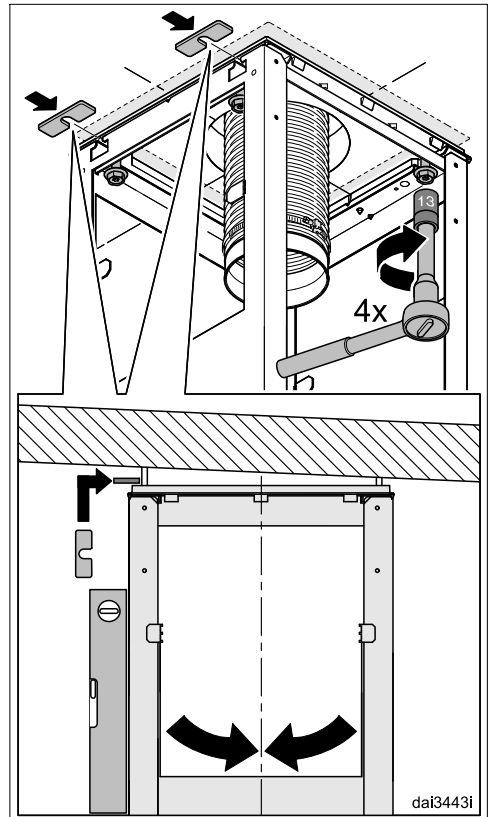
dai3435g

- Mount the spacer frame onto the installation frame.

# Installation

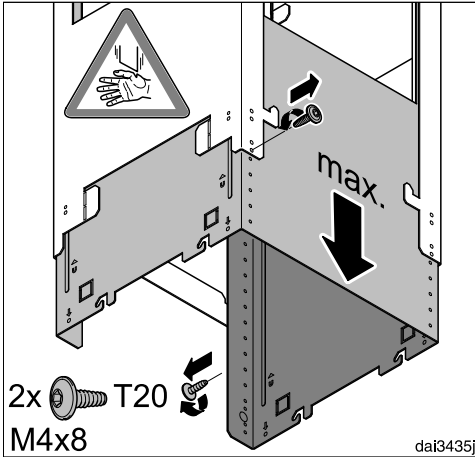


- Hang the installation frame on the four screws. The front of the frame is marked with a "V".
- If using the spacer frame, place the two covers into the fixing holes.



- Align the installation frame and secure it with the screws. The spacers, which were removed from the spacer frame at the start, can be used to align the rangehood vertically.

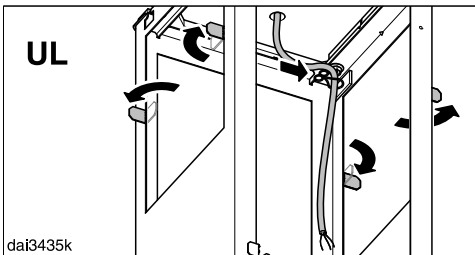




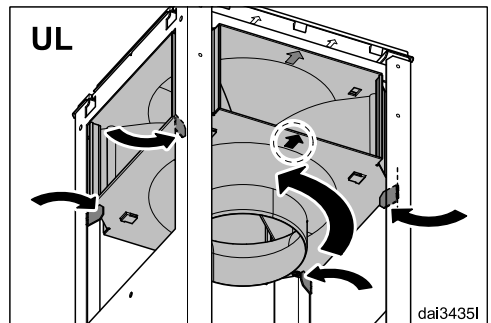
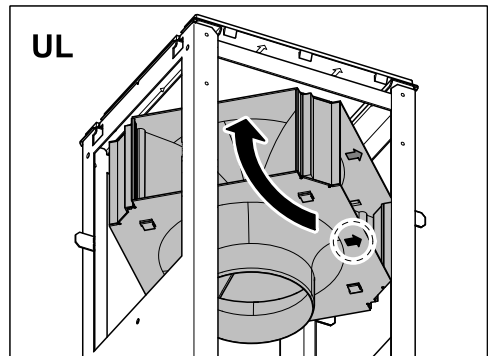
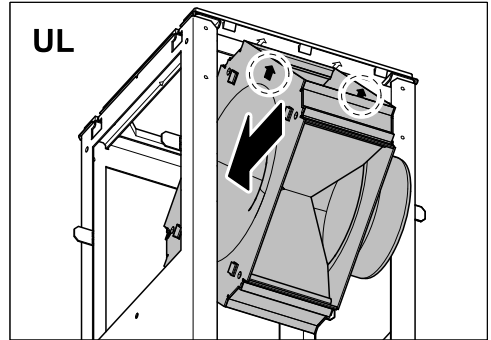
- Holding the installation frame securely, remove the two fixing screws and extend the installation frame to its maximum length.

- Refit the screws.

The directional unit from conversion kit DUI 32 (optional accessory) is installed for recirculation mode (UL):

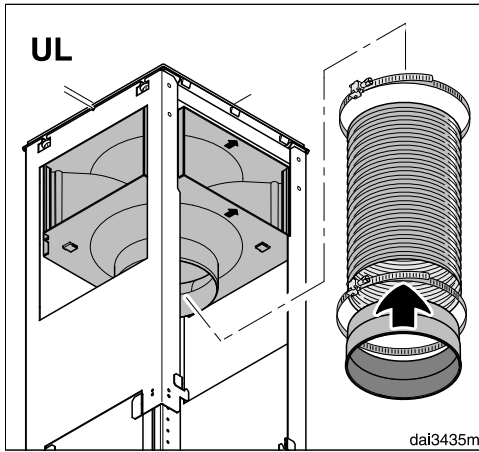


- Bend the four retaining tabs on the installation frame outwards.
- Place the mains cable inside the installation frame.

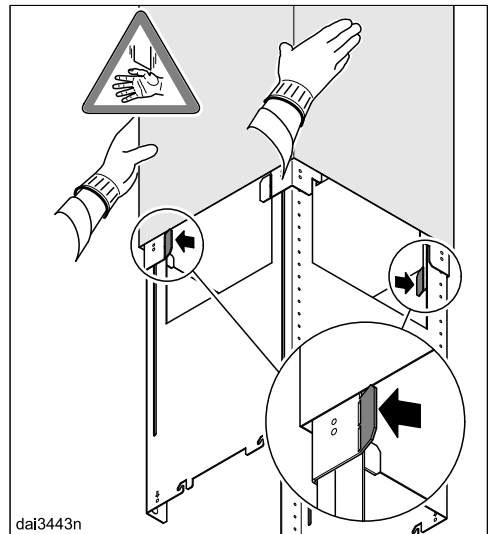
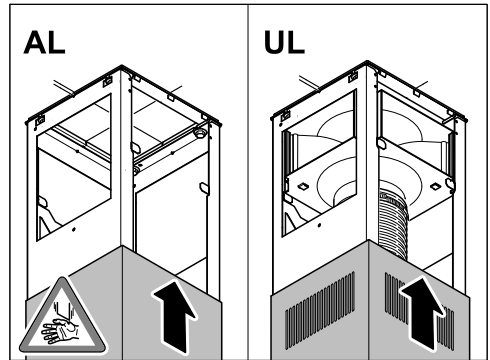


- Fit the directional unit as shown, noting the marking on the front.
- Bend the retaining tabs back and approx. 45° inwards to hold the directional unit in place.

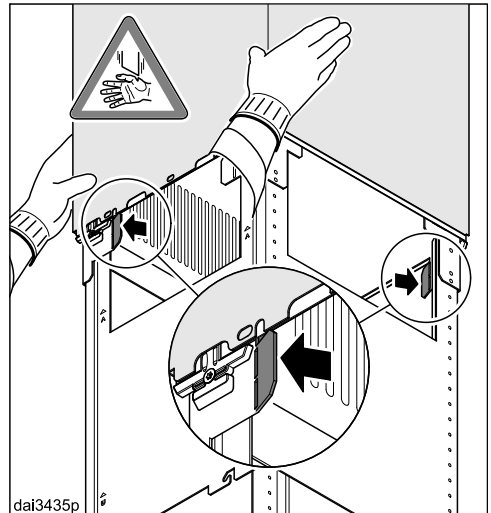
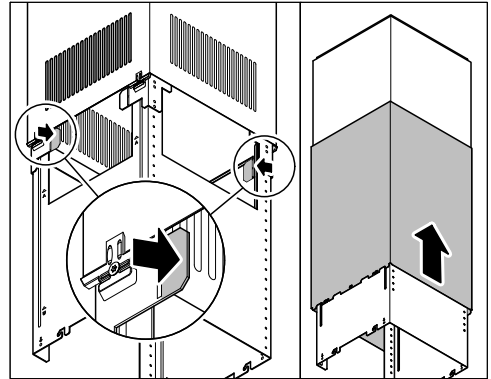
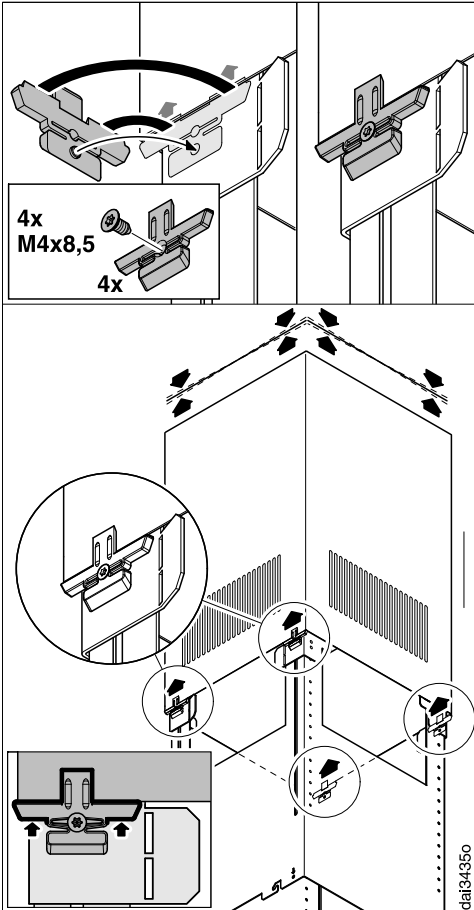
# Installation



- Secure the exhaust socket to the hose using a hose clip.
- Secure the hose to the directional unit socket using a hose clip.
- Check that the hose is held securely.



- Push the telescopic piece over the installation frame:
  - with the recirculation grilles at the bottom for extraction mode (AL),
  - with the recirculation grilles at the top for recirculation mode (UL).
- Bend the two retaining tabs outwards to prevent the telescopic piece from slipping down again.



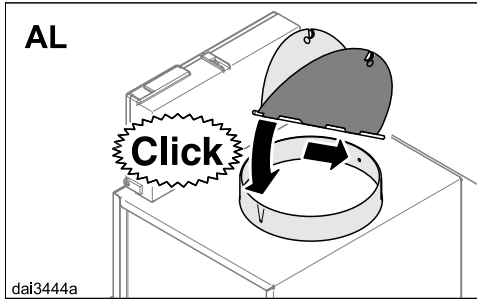
- Fit the four telescopic piece clamps. When the screws are tightened, the clamps spread out and push the telescopic piece upwards.

- Bend back the two retaining tabs.
- Push the tower over the telescopic piece and bend the retaining tabs outwards again to prevent the tower from slipping down again.

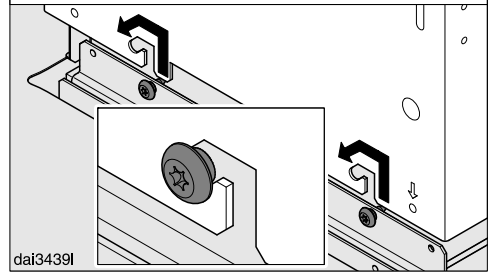
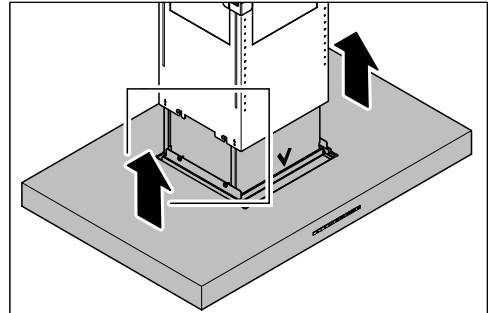
Tighten the screws only until the top edge of the telescopic piece is evenly aligned with the ceiling or the spacer frame.

# Installation

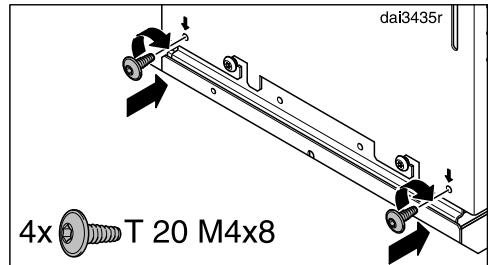
Depending on the rangehood, a non-return flap is supplied with the rangehood or is already fitted in the motor unit exhaust socket.



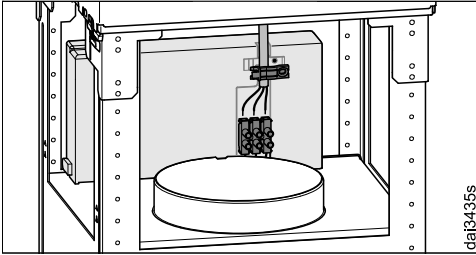
- With extraction mode (AL), fit the non-return flap in the exhaust socket if your ducting system is not equipped with one. Recirculation mode (UL) does not require the non-return flap to be fitted. If there is one present, it should be removed.



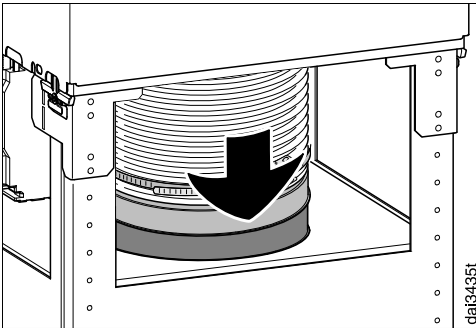
- Hang the rangehood on the brackets, making sure that the controls are at the front.



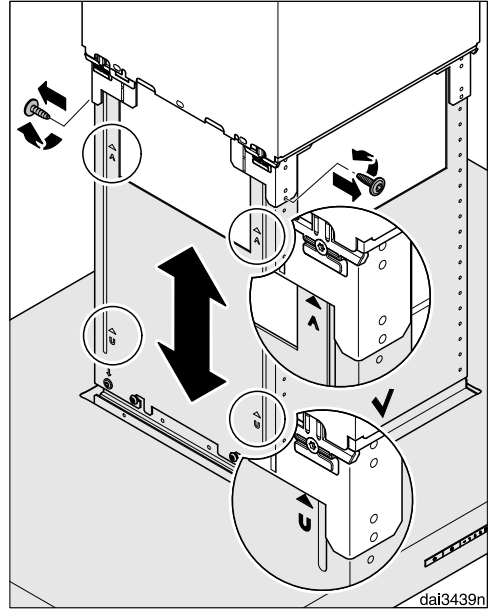
- Secure the rangehood with the screws supplied.



- Connect the mains cable. See “Electrical connection”.



- Place the exhaust ducting onto the exhaust socket.



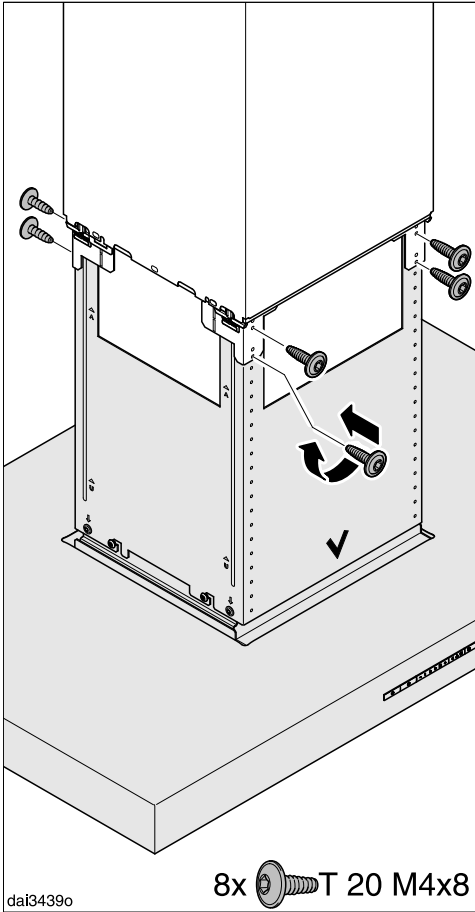
- Unscrew both screws from the installation frame again.

The canopy can now be adjusted to the desired height, observing the permissible height ranges:

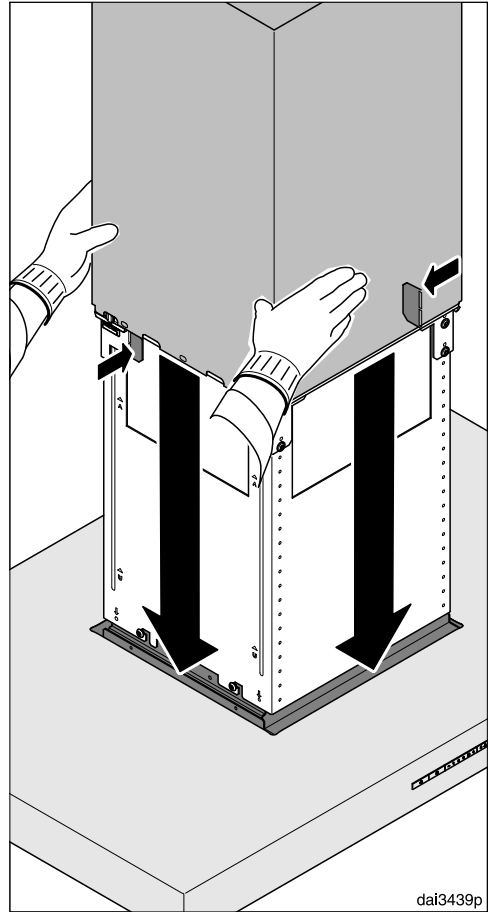
- With extraction mode: upwards as far as it will go, downwards only to the “A” marking.
- With recirculation mode: upwards only to the “U” marking, downwards as far as it will go.

Follow the instructions in “Appliance dimensions”. Safety distances between the cooktop and the rangehood must be observed.

# Installation

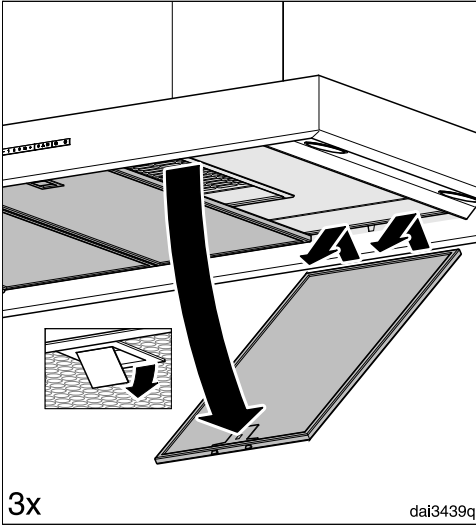


- Raise the canopy to the desired height and secure it with the screws.

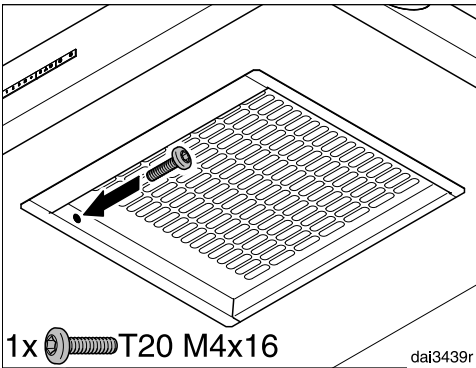


- Hold the tower securely, bend back the retaining tabs and carefully lower the tower.

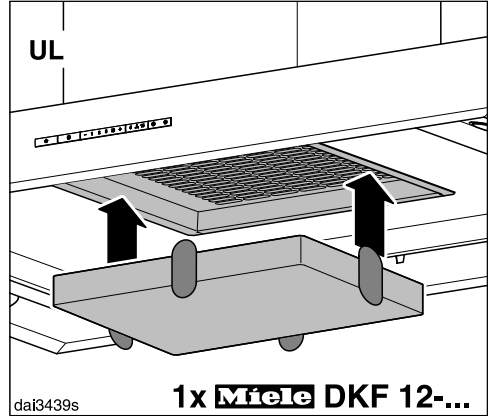
The tower will fit into the cut-out in the canopy.



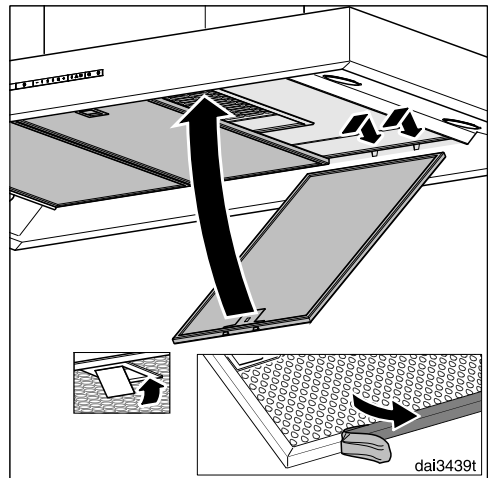
- Remove the grease filters from the rangehood.



- Insert the safety screw on the inside.



- With recirculation mode (UL) rangehoods, insert the charcoal filter.



- Carefully remove the protective foil from the grease filters.
- Refit the grease filters.

# Connection for air extraction

**⚠** Before installation, it is important to read the information given on the following pages as well as the “Appliance dimensions” and the “Warning and Safety instructions” at the beginning of this booklet. This is particularly crucial when using the rangehood at the same time as a heating appliance that relies on oxygen from the same room, which could result in the build-up of toxic fumes.

The rangehood should be installed according to local and national building regulations. Seek approval from the building inspector where necessary.

Only use smooth pipes or flexible ducting made from approved non-flammable materials for exhaust ducting.

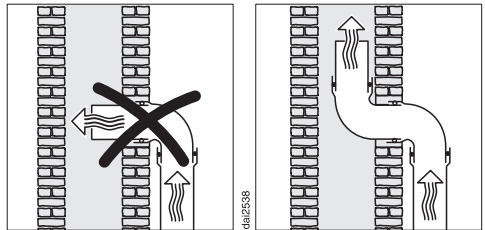
To achieve the greatest possible air extraction with the lowest noise level, please note the following:

- The diameter of the exhaust ducting should not be less than 150 mm.
- If flat ducting is being used, the cross-section must not be smaller than the cross-sectional area of the exhaust connection.
- The exhaust ducting should be as short and straight as possible.
- Only use wide radius bends.
- The exhaust ducting must not be kinked or compressed.
- Ensure that all connections are strong and airtight.

- If the ducting has flaps, these must be opened when the rangehood is switched on.

Remember that any constriction of the airflow will reduce extraction performance and increase operating noise.

- If the exhaust is ducted through an outside wall, a telescopic wall vent or a roof vent (available as an optional accessory) is recommended.



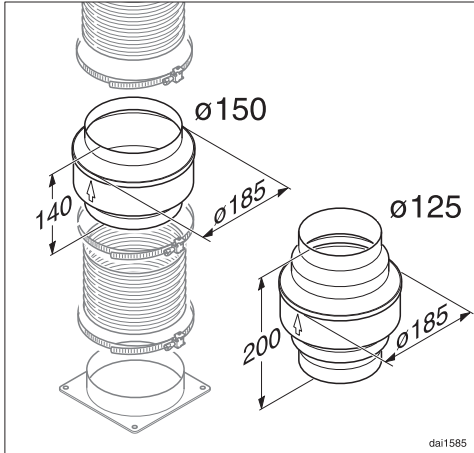
- If the exhaust air is to be ducted into a vent flue, the ducting must be directed in the flow direction of the flue.
- If the flue is used by several ventilation units, the cross-section of the flue must be large enough.
- Where ducting is horizontal, it must be laid to slope away at at least 1 cm per metre. This is to ensure that condensate cannot drain back into the rangehood.
- If the exhaust ducting is to run through rooms, ceiling space etc. there may be great variations in temperature between the different areas. The problem of condensation will need to be addressed. The exhaust ducting will need to be suitably insulated.



# Connection for air extraction

Miele will not accept warranty claims for any functional defects or damage caused by inadequate ducting.

## Condensate trap

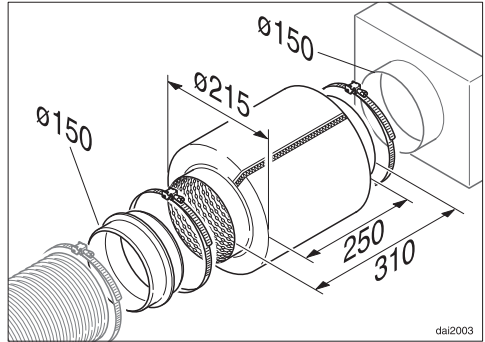


In addition to insulating the exhaust ducting, we recommend that a suitable condensate trap is also installed to collect and evaporate any condensate which may occur.

Condensate traps are available for 125 mm or 150 mm ducting.

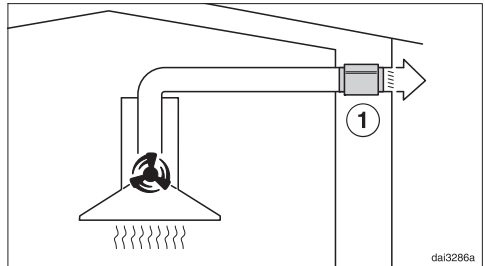
- When installing a condensate trap, ensure that it is positioned vertically and, if possible, directly above the exhaust socket. The arrow on the housing indicates the direction of airflow.

## Silencer




To achieve even further reductions in noise levels, a special silencer (optional accessory) can be fitted in the ducting system.

## Air extraction mode



The silencer not only reduces noise from the motor outside the house, but also sounds from outside (e.g. traffic noise). For this reason, the silencer must be positioned as close as possible to the ducting exit ①.

## Electrical connection

 Installation, repairs and other work by unqualified persons could be dangerous. The manufacturer cannot be held liable for unauthorised work.

All electrical work must be undertaken by a suitably qualified and competent person in strict accordance with current national and local safety and building code regulations.

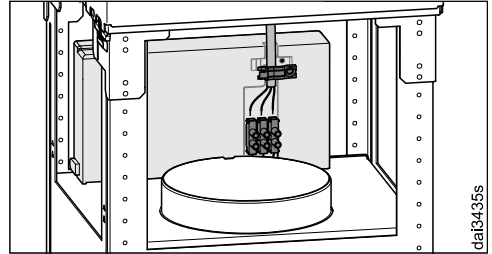
The rangehood must be connected to a mains electricity supply which conforms with current local and national regulations.

For extra safety, it is advisable to install a residual current device (RCD) with a trip current of 30 mA.

Connection of this appliance should be made via a suitable isolator which complies with national and local safety regulations and the On-Off switch should be easily accessible after the appliance has been built in. Means for disconnection must be incorporated in the fixed wiring in accordance with the wiring rules. When switched off, there must be an all-pole contact gap of 3 mm in the switch (including switch, fuses and relays according to EN 60335).

The connection data is given on the data plate (See “After sales service”). Ensure that this data matches the household mains supply.

If a flexible connection cable is being used to connect the appliance to the electricity supply, the cross-sectional area of the the individual leads must be between 0.75 mm<sup>2</sup> and 1.5 mm<sup>2</sup>.



The strain relief must be used to ensure problem-free connection.

## After sales service and warranty

---

In the event of a fault which you cannot remedy yourself, please contact Miele.

The contact details for Miele are given at the back of these instructions.

When contacting Miele, please quote the model and serial number of your appliance.

These can be found on the data plate.

### **Position of the data plate**

The data plate is visible after removing the grease filters.

### **Warranty**

AU, NZ:

The manufacturer's warranty for this appliance is 2 years.

For further information, please refer to your warranty booklet.

Other countries:

For information on the appliance warranty specific to your country please contact Miele. See the end of this booklet for contact details.

## Technical data

---

Fan motor	295 W
Cooktop lighting	4 x 3 W
Total rated load	307 W
Voltage, frequency	AC 230 V, 50 Hz
Fuse rating	10 A
Weight	34 kg

### **Optional accessory for recirculation mode**

DUI 32 kit to convert from extraction mode to recirculation mode and charcoal filter DKF 12-1 or DKF 12-R (reactivatable).





**Miele Australia Pty. Ltd.**

ACN 005 635 398  
ABN 96 005 635 398

Miele Experience Centre and  
Head Office Melbourne:  
1 Gilbert Park Drive  
Knoxfield, VIC 3180

**1300 464 353 (1300 4 MIELE)**

**[www.miele.com.au](http://www.miele.com.au)**

**Hong Kong, China**

Miele (Hong Kong) Ltd.  
41/F - 4101, Manhattan Place  
23 Wang Tai Road, Kowloon Bay  
Hong Kong  
Tel.: (852) 2610 1025  
Fax: (852) 3579 1404  
E-mail: [customerservices@miele.com.hk](mailto:customerservices@miele.com.hk)  
Website: [www.miele.hk](http://www.miele.hk)

**Singapore**

Miele Pte. Ltd.  
29 Media Circle  
#11-04 ALICE@Mediapolis  
Singapore 138565  
Tel.: +65-67351191  
Fax: +65-67351161  
E-mail: [info@miele.com.sg](mailto:info@miele.com.sg)  
Internet: [www.miele.sg](http://www.miele.sg)

**Miele Global Headquarters Germany**

**Miele & Cie. KG** Carl-Miele-Straße 29, 33332 Gütersloh, Federal Republic of Germany

**Miele New Zealand Ltd.**

IRD 98 463 631

Head Office:  
8 College Hill  
Freemans Bay, Auckland 1011

**0800 464 353 (0800 4 MIELE)**

**[www.miele.co.nz](http://www.miele.co.nz)**

**Malaysia**

Miele Sdn Bhd  
Suite 12-2, Level 12  
Menara Sapura Kencana Petroleum  
Solaris Dutamas No. 1, Jalan Dutamas 1  
50480 Kuala Lumpur, Malaysia  
Phone: +603-6209-0288  
Fax: +603-6205-3768

**Thailand**

Miele Appliances Ltd.  
BHIRAJ TOWER at EmQuartier  
43rd Floor Unit 4301-4303  
689 Sukhumvit Road  
North Klongton Sub-District  
Vadhana District  
Bangkok 10110, Thailand

PUR 98 D

en-AU, NZ

M.-Nr. 10 559 450 / 03