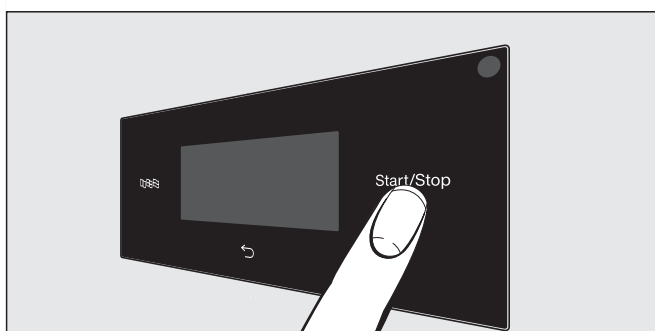
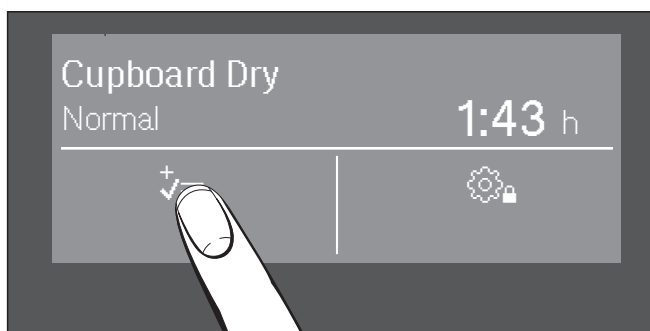


⚠ It is a mandatory requirement to read the operating instructions and pay particular attention to the warnings and safety instructions.

Touch display with sensor controls



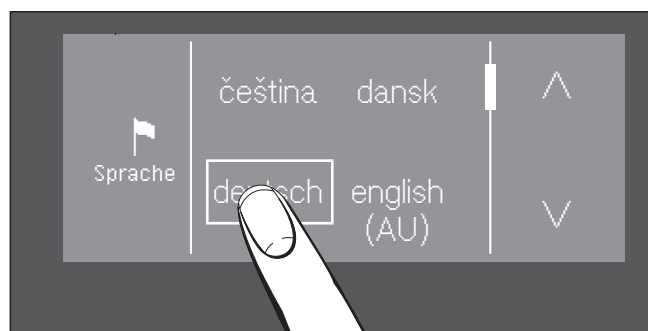
■ To switch on: press the button. The , and *Start/Stop* sensor controls and the sensor controls in the display react to finger tip contact.



Example: Selecting extra options

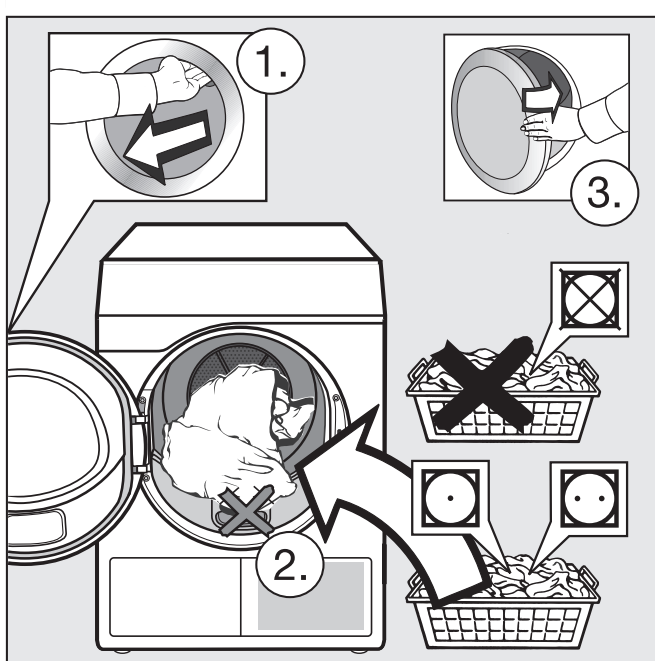
- Touch the sensor control.
- Touch the sensor control for the extra you want: and/or .

1 Select language



- Touch the sensor control.
- Touch the or sensor control until the language you want appears in the display.
- Select the language.

2 Sort the laundry and load the drum

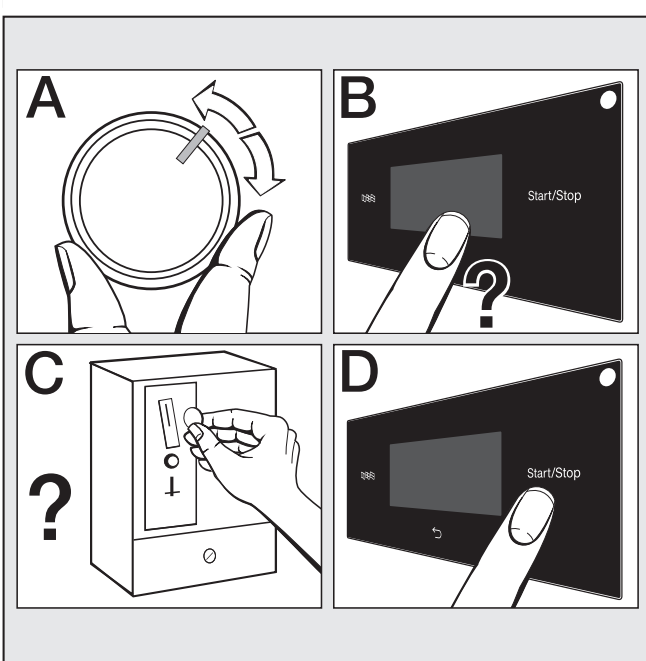


Care symbols:

- = do not tumble dry,
- = normal/low temperature (both are possible together).

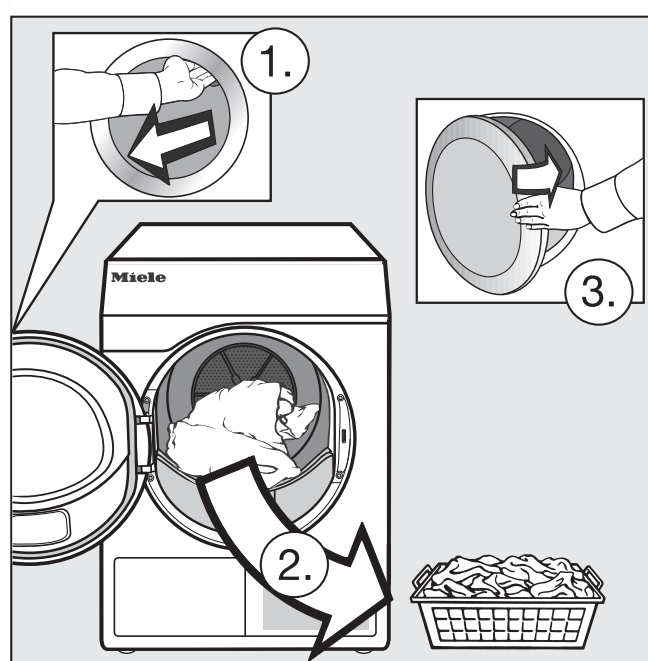
- Load the laundry.

3 Select and start the programme



- Select a programme (A).
- Select any additional programme settings (B).
- Insert payment (C).
- Touch the *Start/Stop* sensor control (D).

4 Unload the laundry



Finish appears in the display.

- Open the door.
- Unload the drum.

Programmes	max.*	Items / Hints / Tips			
Express Cupboard Dry	4 kg	Items suitable for the <i>Cottons</i> programme.	-		
Minimum iron Cupboard Dry+ Cupboard Dry Cupboard Dry	4 kg	Workwear, overalls, tops, dresses, trousers, table linen, tights - Select the <i>Automatic plus</i> programme for a mixed load (minimum iron and cottons).			
Woolens	2 kg	Tops, cardigans, wool leggings	-	-	-
Timed drying cool air	7 kg	Any item which only needs airing.	-	-	-
Timed drying warm air	7 kg	Jackets, pillows, sleeping bags, items made up of multiple layers, heavy cotton table cloths, small items of laundry - Select time: Touch - Select time with - Touch OK.			
Cottons Cupboard Dry+ Cupboard Dry Hand iron Machine iron	7 kg	Jackets, workwear, overalls, aprons, baby clothes, t-shirts, underwear, cotton blankets, tea towels, hand towels, bath towels, towelling bathrobes, jersey bed linen, boil-proof table linen - To prevent laundry from drying out, it should be rolled up until you are ready for ironing. - For items that are 100 % towelling: select the <i>Towelling</i> programme.			
PRO Cupboard Dry	7 kg	Cotton items with normal residual moisture such as those described under <i>Cottons</i> .	-		
Cupboard Dry	7 kg	Cotton items with normal residual moisture such as those described under <i>Cottons</i> (test programme in accordance with regulation).	-		

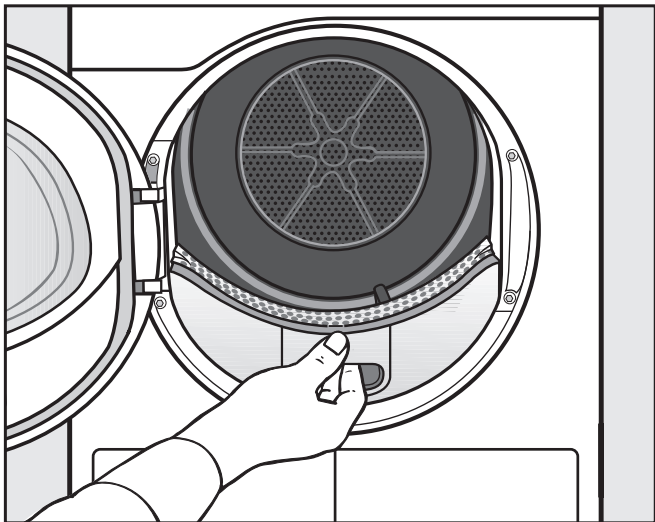
* Weight of dry laundry

Extra *Gentle tumble* = drum turns more slowly during drying (fewer drum revolutions).

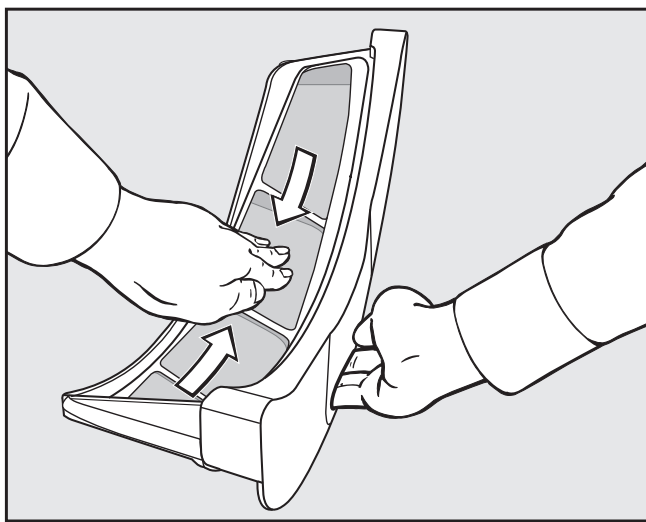
Extra *Anti-crease* (if enabled) = will reduce creasing if the laundry is not removed immediately at the end of a programme.

Tip: Have a vacuum cleaner ready

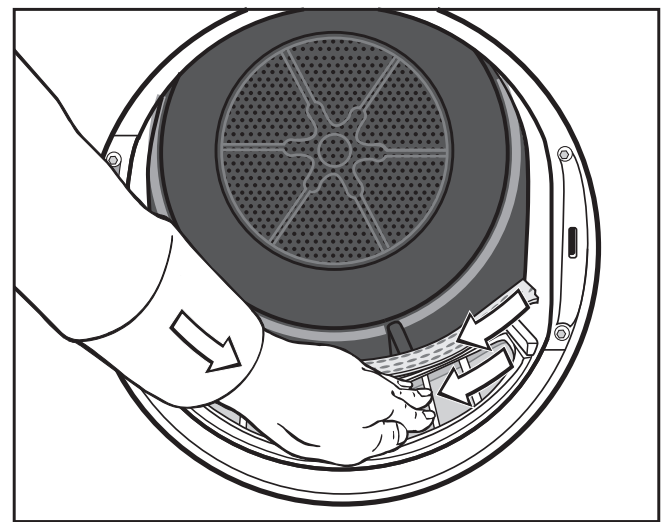
Cleaning: After drying – and whenever Clean out the airways appears in the display (confirm with OK).



- Remove the fluff filter.

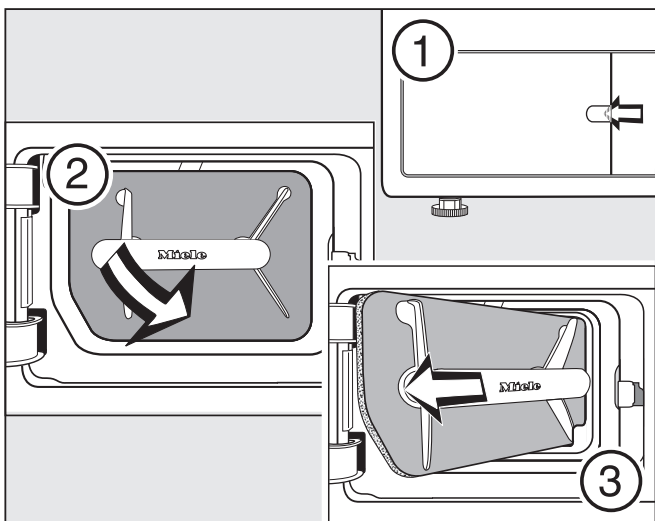


- Remove the fluff with your fingers or with a vacuum cleaner.
- For heavy soiling: see the operating instructions.

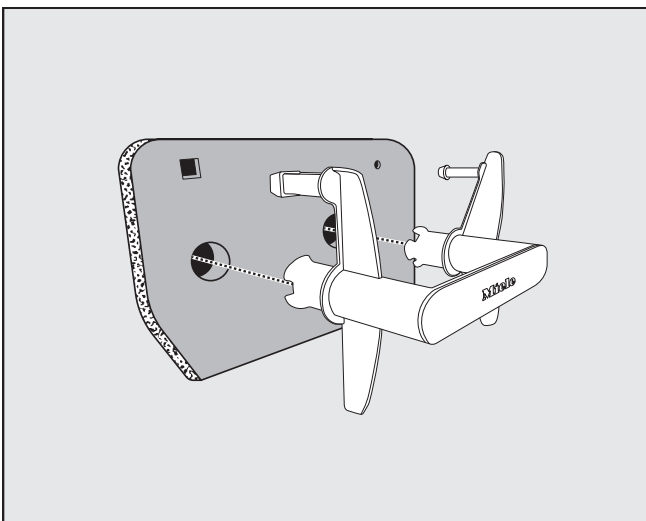


- Remove the fluff with your fingers or with a vacuum cleaner.
- For heavy soiling: see the operating instructions.

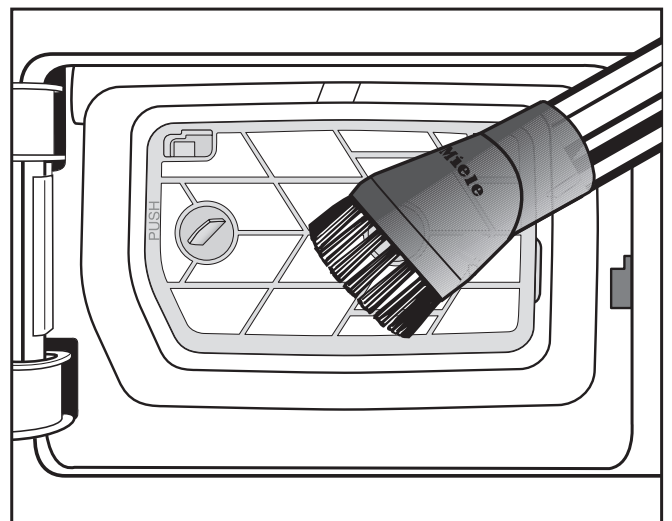
Cleaning: Once a day when in continuous operation – and whenever Clean out the airways appears in the display (confirm with OK).



- Open the lid ①.
- Use the handle to pull out the fluff filter at an angle forwards and to the right ②.
- Pull out the fluff filter at an angle ③.
- Check the fluff filter at regular intervals for signs of wear.

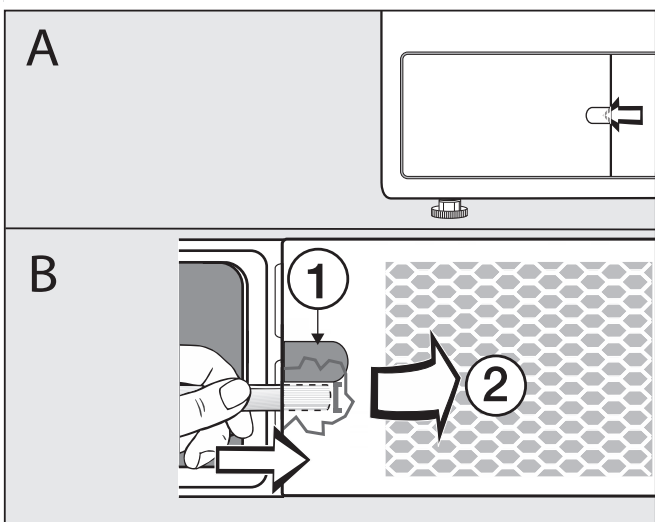


- Pull the handle out of the filter.
- Rinse the filter, squeeze it gently and leave it to dry.
- Connect the handle.

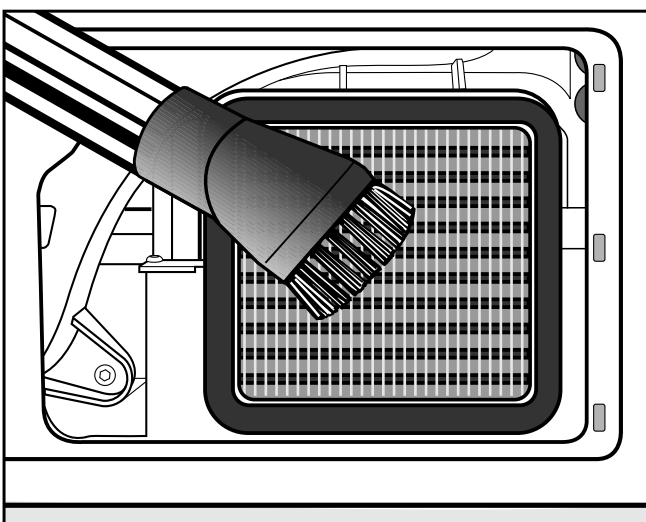


- Remove the fluff carefully with a vacuum cleaner.
- For heavy soiling: see the operating instructions.
- Fit the filter: see the figure on the left, sequence ③-②-①.

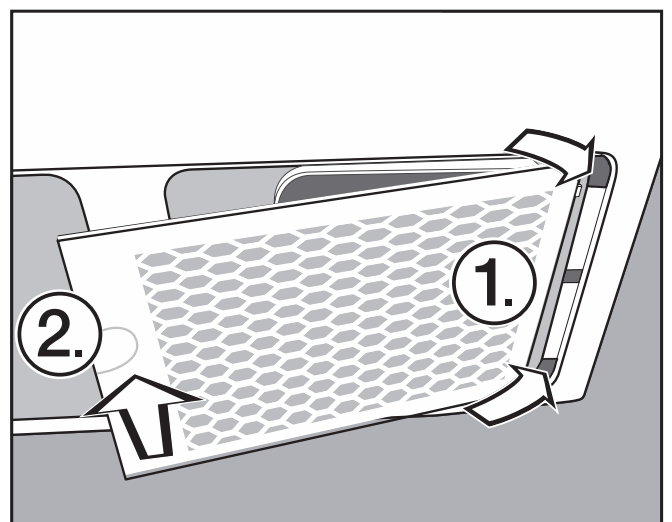
Cleaning: Only when Open bottom right grille, clean heat exchanger appears in the display (confirm with OK)



- (A) Open the lid.
- (B) E.g. insert a spoon handle under the edge ① and lever carefully.
- Open the grille ② and remove.



- ⚠ Danger of injury: Do not touch the cooling fins with your hands. You could cut yourself.
- Remove the fluff/dust carefully with a vacuum cleaner.



- Fit the grille on the right ①.
- Press down firmly on the grille on the left ②.

