

Miele



PWM 916 EL/EH







en Installation Plan Commercial Washing Machine

fr Schéma d'installation Lave-linge professionnel


en 4
fr 24

Installation notes	4
Explanation of the safety notes and warnings on the machine.....	4
Installation requirements	4
General operating conditions	4
Installation	4
Installation on concrete base	5
Leveling the machine.....	5
Securing the machine.....	6
Electrical connection	6
Water connection	7
Cold-water connection.....	7
Warm/Hot water connection	8
Drain valve.....	8
Water connection for variants with external heating (EH)	9
Dispenser pump connections	9
Optional accessories.....	10
Hard-water kit (APWM062)	10
APWM 019/020 Connector Box.....	10
WiFi/LAN interface	12
Base (APWM 030/034)	12
Vapor and suds venting kit (APWM 063).....	12
Installation	13
Standard	13
Stand	15
Installation	17
Standard	17
Stand	18
Floor anchoring	19
Technical details	20
Electrical version and electrical data.....	20
Water connection	20
Cold water connection	20
Warm water connection	20
Hot water connection (for variants without heating)	20
Hard water connection (optional)	20
Drainage	20
Connection for equipotential bonding.....	21
Installation dimensions.....	21
Anchoring	21
Transport data, weight and floor load	21
Models with detergent drawer (DD)	21
Emissions data	22

Explanation of the safety notes and warnings on the machine

	Read the operating instructions
	Read all the instructions, e.g., the installation instructions
	Warning, hot surfaces
	Warning, voltage up to 1000 volts
	Grounding
	Equipotential bonding

Installation requirements

 **WARNING:** The washing machine must be installed by Miele Service or by properly trained staff of an authorized dealer.

- ▶ This washing machine must be installed in accordance with all relevant regulations and standards. Local energy supplier regulations must also be observed.
- ▶ This washing machine must only be operated in a room that has sufficient ventilation and which is frost-free.

The washing machine should not be installed or operated in any area where there is a risk of explosion.

General operating conditions

This washing machine is intended only for use in a commercial environment and must only be operated indoors.

- Ambient temperature: 32-105°F (0-40°C)
- Relative humidity: non-condensing
- Maximum height above sea level of location site: 6500 ft (2000 m)

Depending on the nature of the installation site, sound emissions and vibration may occur.

Tip: Have the installation site inspected and seek the advice of a specialist in instances where increased noise may cause a nuisance.

Installation

This washing machine must be transported to its installation site using a suitable pallet truck. Remove the transport packaging.

The washing machine must be set up on a completely level, horizontal, and firm surface with the minimum stated load bearing capacity (see “Technical data”).

Tip: A concrete floor is the most suitable installation surface for this machine. It is far less prone to vibration during the spin cycle than wooden floorboards or a carpeted surface.

The floor load created by the washing machine is the load exerted by the area of the machine in contact with and transferred to the installation surface.

The washing machine requires a gap of at least 2" (50 mm) on each side to allow for movement during operation. Please ensure a minimum distance of 15 3/4" (400 mm) is maintained between the rear of the appliance and the rear wall.

The washing machine must not be installed on a carpeted floor.

The feet of the washing machine must be secured to the fastening points on the floor using the fixtures and fastenings supplied.


The material provided is intended for use in bolting the machine to a concrete floor. If other floor types are present at the installation site, the fixtures and fastenings must be provided by the customer.

Installation on concrete base

The washing machine can be installed on a concrete base if desired.

The concrete materials and the durability of the concrete base must be assessed in accordance with the floor load bearing capacity given in “Technical data”.

- To guarantee the stability of the washing machine, make sure that the concrete base is sufficiently stable on the floor and that it is capable of withstanding any burden or force from the washing machine.
- The washing machine must be secured to the concrete base using the fixtures and fastenings supplied.

 The washing machine must be secured to the base immediately after installation!

There is a risk of the washing machine falling off a raised base during a spin cycle if it is not secured.

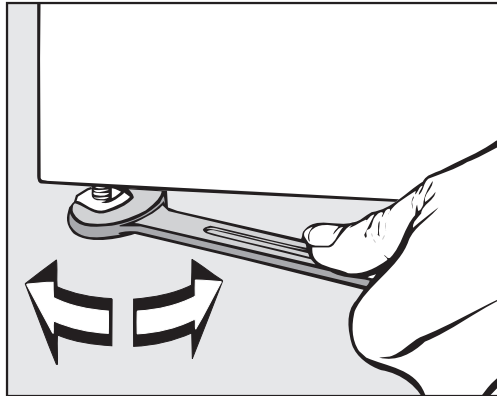
Leveling the machine

- Align the washing machine vertically and horizontally using the adjustable feet and a level.

The washing machine must stand perfectly level on all four feet to ensure safe and proper operation. Otherwise water and energy consumption will be increased and the machine could move.

en - Installation notes

- After aligning the machine tighten the lock nuts by turning them in a counterclockwise direction with a wrench. This will prevent the feet from moving.



Securing the machine

- The feet of the washing machine must be secured to the concrete base using the fixtures and fastenings supplied.

Fittings supplied are for installation on a concrete floor. For other types of flooring please purchase suitable fitting materials separately.

Electrical connection

The electrical connection must only be carried out by a qualified electrician who must ensure that all electrical work is carried out in accordance with applicable electrical regulations and standards.

- ▶ The washing machine must be connected to an electrical supply that complies with local and national regulations. Please also observe your insurance and energy supplier's regulations as well as any health and safety at work regulations.
- ▶ The required voltage, power consumption and specifications for external fusing are quoted on the data plate on the washing machine. Ensure that the supply voltage complies with the voltage quoted on the data plate before connecting the washing machine to the power supply.

Connection to a supply voltage other than the one quoted on the data plate can lead to functional faults and damage the washing machine.

If more than one voltage is quoted on the data plate, the washing machine can be converted for connection to the voltages stated.

- ▶ Conversion to a different voltage must only be carried out by a Miele Service engineer or by an authorized Service Dealer. The wiring instructions given on the wiring diagram must be followed.

The washing machine can either be hard-wired or connected via a plug and socket that complies with national codes and regulations. For a hard-wired connection an all-pole isolation device must be installed on site.

For hard-wired machines connection should be made via a suitable switch with all-pole isolation which, when in the off position, ensures a 1/8" (3 mm) gap between all open contacts. These include circuit breakers, fuses and relays.

If the power supply cannot be permanently disconnected, the isolator switch (including plug and socket) must be safeguarded against being switched on either unintentionally or without authorization.

Tip: We recommend connection to the power supply via a suitable plug and socket which must be easily accessible for servicing and maintenance work after the machine has been installed.

► If it is necessary to install a residual current device (RCD) in accordance with local regulations, a type B residual current device (sensitive to universal current) must be used.

An existing type A residual current device (RCD) must be exchanged for a type B RCD.

Equipotential bonding must be in accordance with all national and local regulations.

Accessories for equipotential bonding are not supplied and need to be ordered separately.

Water connection

The washing machine must be connected to a water supply system in accordance with local and national safety regulations. It can be connected to the water supply without a non-return valve, if national standards permit.

The flow pressure must amount to a minimum of 100 kPa (14.5 psi) and must not exceed an overpressure of 1,000 kPa (145 psi). If the flow pressure is higher than 1,000 kPa (145 psi), a pressure reducing valve must be used.

The machine must be connected to the water connection using the water inlet hoses provided.

⚠ The connection points are subject to water connection pressure.

Turn on the water supplies slowly and check for leaks. Correct the position of the seal and screw thread if appropriate.

Cold-water connection

For the cold-water connection one shut-off valve each with a 3/4" external thread is required. A connector (Y-piece) can be used if required to connect 2 water inlet hoses with a 3/4" screw thread to a single faucet with a 1" male thread.

en - Installation notes

The water inlet hose for cold water (blue stripes) is not intended to be used with a hot-water connection.

Warm/Hot water connection

To minimize energy consumption during operation with hot water, the washing machine should be connected to a suitable hot water ring circuit if present.

So-called “transmission lines” (single lines to hot water generators) can result in cooling down of the water remaining in the pipes if not in constant use. More electrical energy would be needed in order to heat the suds.

Use the water inlet hose supplied (red stripes) for the hot water connection.

The temperature of the warm water intake must not exceed 158 °F (70 °C) on machines with electric heating (EL).

The temperature of the hot water intake must not exceed 194°F (90°C) on machines without heating (EH).

The machine must be connected to the water supply using the inlet hoses provided.

If there is no hot water supply at the installation location, the hot water inlet hose must also be connected to the cold water supply. An additional Y-piece is required in this case. Cold water consumption of the washing machine increases accordingly to account for the missing hot water inlet.

For functional and technical reasons it is not possible to operate the machine exclusively with a hot water connection.

Even if a hot water connection is present, the washing machine must be connected to a cold water inlet.

Drain valve

In the case of washing machines with a drain valve, a motorized valve is used to drain the machine. A 2 ¾" angle connector can be used for connecting the drain valve directly into the waste water system (without a siphon) or into a floor drain (on-site gully with odor trap).

Thanks to an improved closing mechanism and a larger cross-section, even the coarsest of soil does not leave any deposits or debris behind which could result in blockages. The drain valve can also be operated manually to allow the suds container to be emptied in the event of a power failure.

A vented drainage system is vital for unimpeded drainage.

If several machines are connected to a single drain pipe, this should be sufficiently large to allow all machines to drain simultaneously.

If the slope for drainage is extremely steep, the piping must be vented to prevent formation of a vacuum in the machine's drainage system.

Slow or obstructed drainage or a backup of water in the drum as a result of undersized pipework can result in faults occurring during program sequences, which will result in fault messages appearing in the machine display.

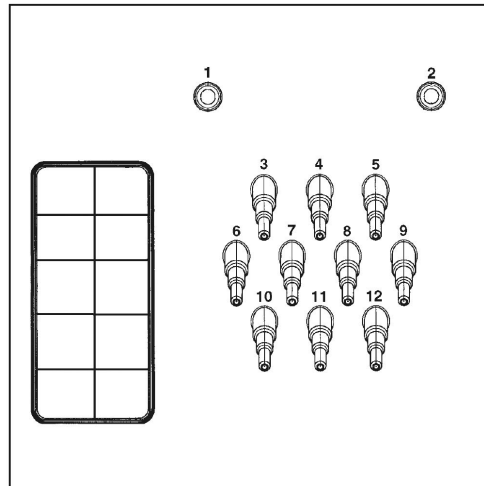
⚠ Outflowing suds can be as hot as 203°F (95°C). Danger of injury by burning!
Avoid direct contact.

Water connection for variants with external heating (EH)

The appliance should be connected to cold and hot water supplies. A minimum hot water temperature of 175°F (80°C) is recommended. The use of disinfection programs is not possible due to the absence of additional heating. The permissible wash temperatures are determined by the inlet temperature.

Dispenser pump connections

Up to 12 dispenser pumps can be connected to the washing machine.

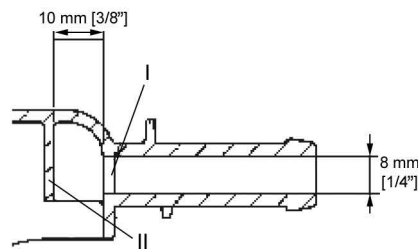


Dispenser pump connections on the back of the machine

Connections **1** and **2** are provided for viscous agents and can also be used for high-pressure dispensing systems with water injection. The dispensing systems must be equipped with a separate drinking water safety feature in accordance with EN 61770 and EN 1717. The maximum flow rate is 1,500 ml/min with a maximum flow pressure of 43 psi (300 kPa).

These connectors are sealed and need to be drilled open using an 8 mm drill bit before connecting.

en - Installation notes



Care must be taken to drill through the first wall only (I) as there is a deflecting wall (II) 3/8" (10 mm) behind it.

Connections **3** to **12** are provided for liquid detergent. High-pressure dispensing systems with water injection must not be connected to these connections. The connectors are sealed and must be cut to the diameter of the hose with a small saw before they are connected.

If opened connectors are no longer required, they must be resealed using a suitable sealant (e.g., silicone).

External dispenser pumps are connected and calibrated via the Connector Box, which is available as an option.

A flowmeter or flow sensors can be connected for precise monitoring of the dispensing quantity.

Connections for level monitoring are available for every agent dispensed.

Optional accessories

Only use genuine Miele spare parts and accessories with this machine.

Using parts or accessories from other manufacturers may void the warranty, and Miele cannot accept liability.

Hard-water kit (APWM062)

The hard-water connection on the washing machine can be retrofitted with the optional hard-water kit (APWM062).

The additional water connection allows hard water to be used and the program runtime will therefore be reduced. In addition, hard water is particularly suitable for the final rinse cycles.

APWM 019/020 Connector Box

The Connector Box allows external hardware from Miele and other suppliers to be connected to the Miele Professional Washing Machine.

Flowmeters for the water inlet can also be connected to the Connector Box (APWM 065).

Peak load/energy management

A peak-load or energy management system can be connected via the Connector Box.

The energy management system monitors the energy consumption of a system and deactivates individual pieces of equipment temporarily by means of the peak-load negotiation in order to ensure that certain total load limits are not exceeded.

When the peak-load function is activated, the heating is deactivated and the program stopped. A message appears in the display to inform you of this.

The program is resumed automatically when the peak-load function finishes.

Liquid dispensing
connection

External liquid dispenser pumps with a “container empty” indicator and/or flowmeter can be used via the Connector Box to dispense liquid detergents.

The dispenser pumps can only be programmed by Miele Customer Service.

It is particularly important to observe the manufacturer’s instructions when using a combination of cleaning agents and special application products.

en - Installation notes

WiFi/LAN interface

The washing machine is equipped with a WiFi/LAN interface for exchanging data.


The data interface provided on the LAN connection complies with SELV (Safety Extra Low Voltage) in accordance with EN 60950. The LAN connection uses a RJ45 connector in accordance with EIA/TIA 568-B.

Connected machines must also comply with SELV.

Base (APWM 030/034)

The washing machine can be installed on a machine base (open or box base, available as an optional Miele accessory).

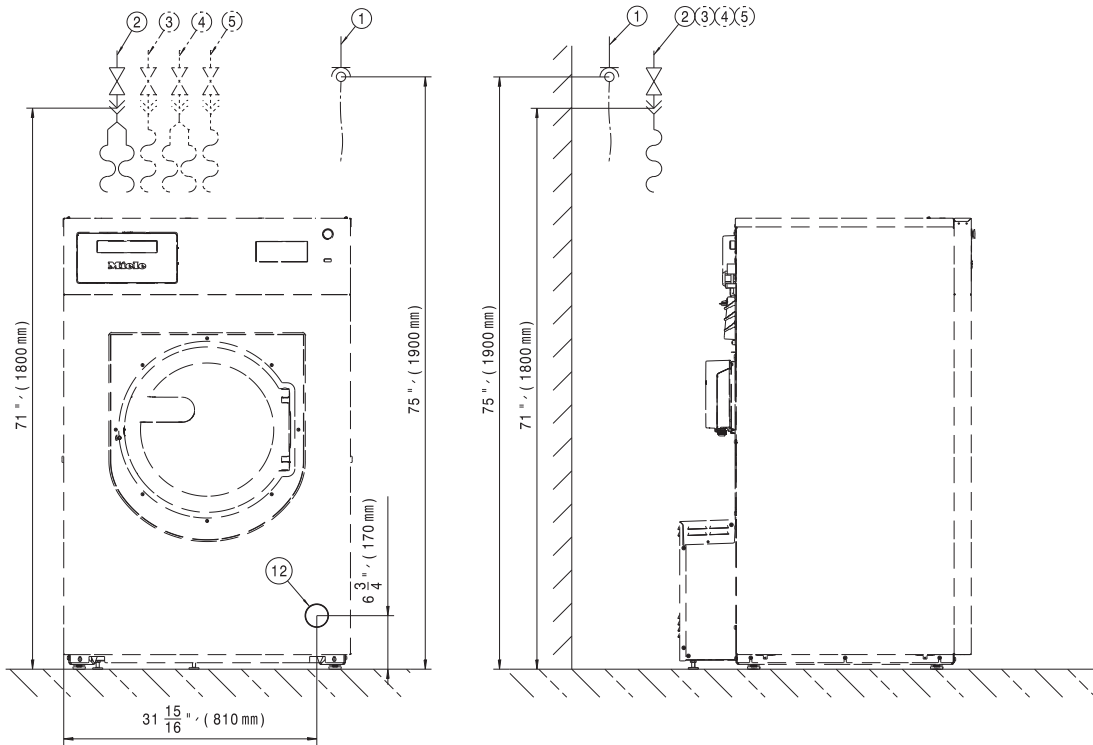
Elevating the washing machine gives a better ergonomic working position when loading or unloading. At the same time it facilitates the installation of a drain connection.

 The washing machine must be secured to the base immediately after installation! The base must be secured to the floor! There is a risk of the washing machine falling off a raised base during a spin cycle if it is not secured.

Vapor and suds venting kit (APWM 063)

If excessive suds form, suds may escape from the vapor vent. An optional vapor and foam venting kit can be used to remove the foam.

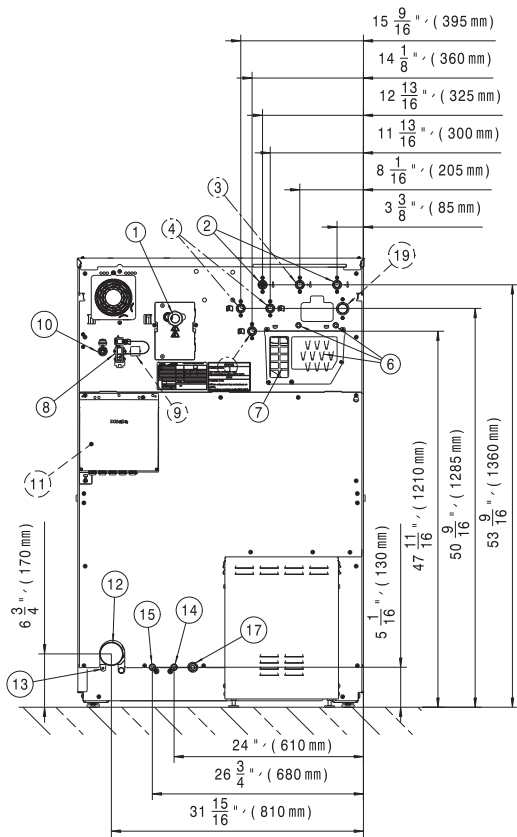
Standard



- ① Electrical connection
- ② Cold water connection
- ③ Warm/hot water connection

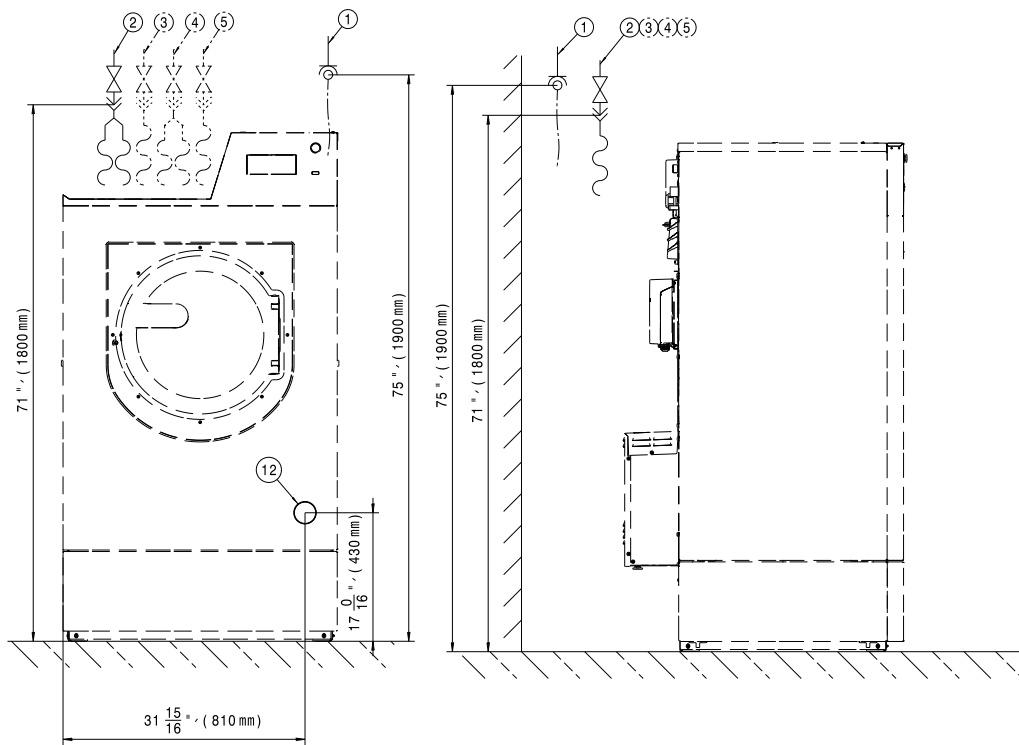
- ④ Cold water connection (alternatively, hard water connection)
- ⑤ Cold water connection for liquid dispensing
- ⑫ Drain pipe

en - Installation



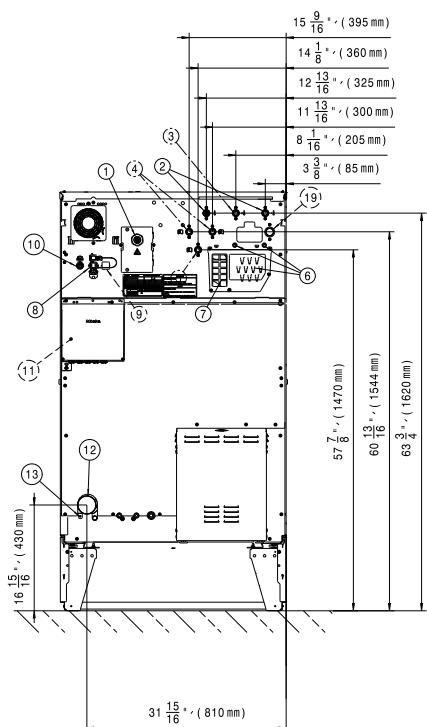
- ① Electrical connection
- ② Cold water connection
- ③ Warm/hot water connection
- ④ Cold water connection for hard water (optional)
- ⑤ Cold water connection for liquid dispensing
- ⑥ Dispenser pump connections
- ⑦ Overflow and ventilation
- ⑧ Connector Box connection
- ⑨ Connector Kit connection (optional)
- ⑩ LAN connection
- ⑪ Connector Box (optional)
- ⑫ Drain pipe
- ⑬ Connection for equipotential bonding
- ⑭ Water recovery connection (optional)

Stand



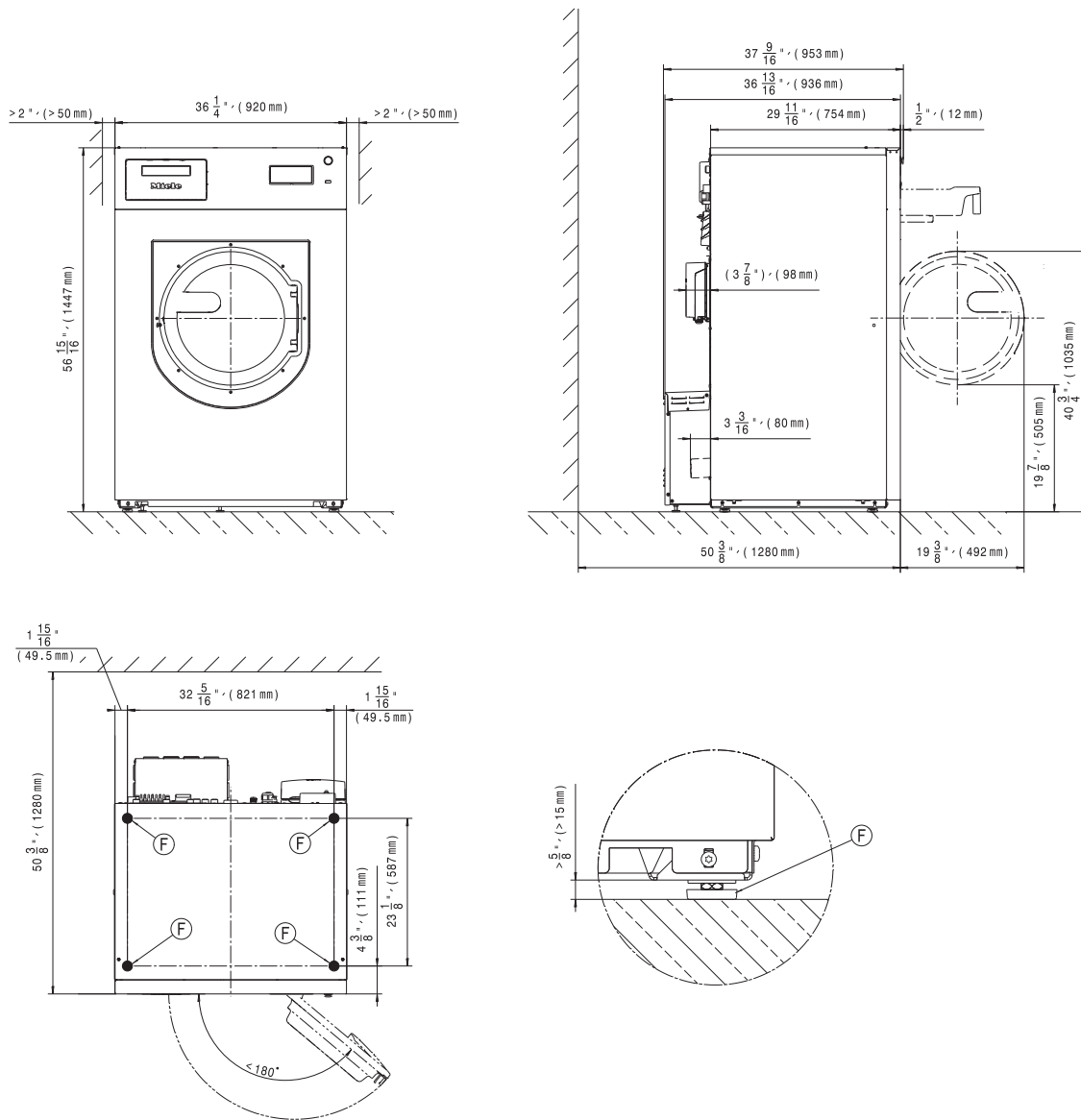
- ① Electrical connection
- ② Cold water connection
- ③ Warm/hot water connection
- ④ Cold water connection (alternatively, hard water connection)
- ⑤ Cold water connection for liquid dispensing
- ⑫ Drain pipe

en - Installation



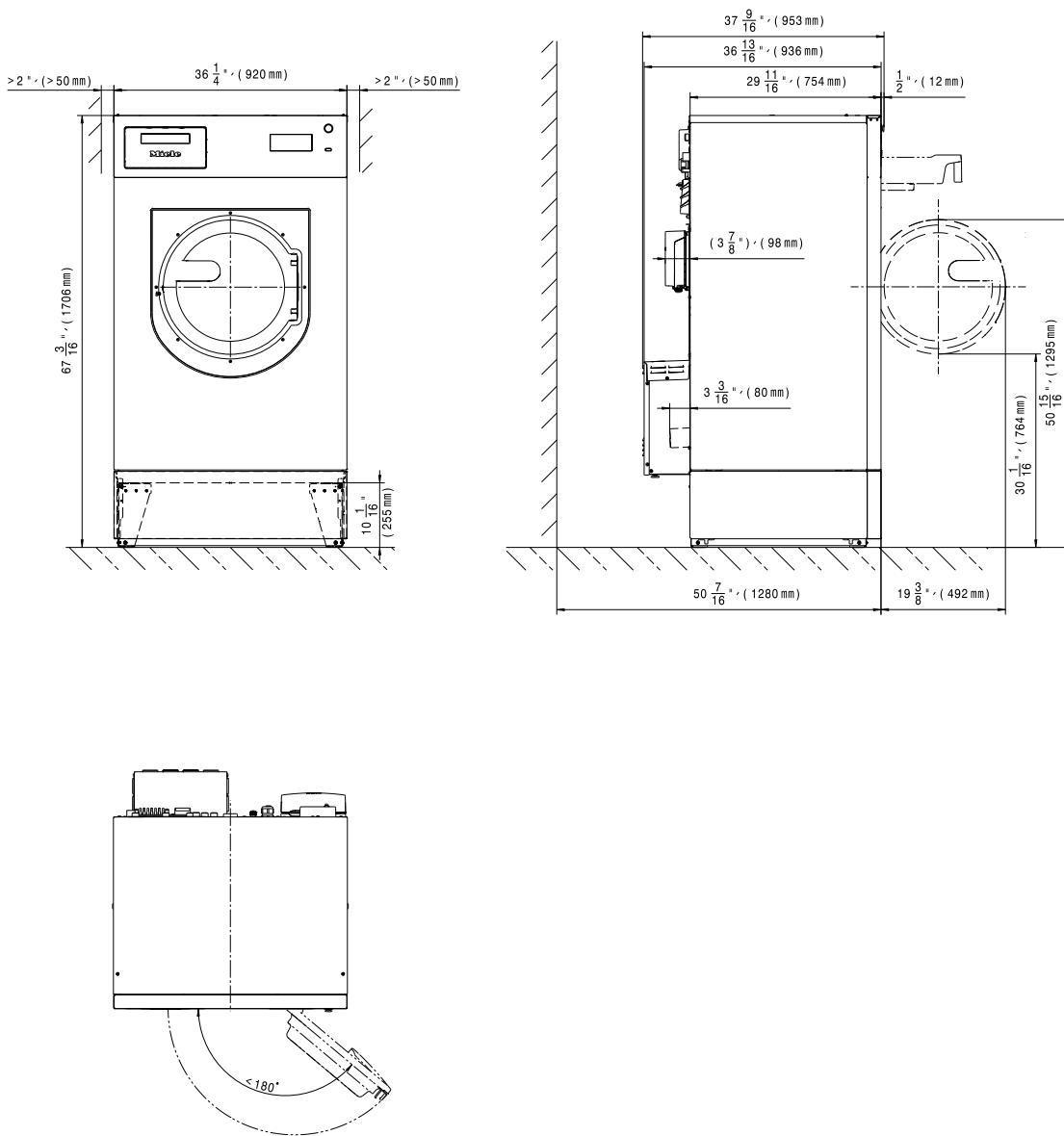
- ① Electrical connection
- ② Cold water connection
- ③ Warm/hot water connection
- ④ Cold water connection for hard water (optional)
- ⑤ Cold water connection for liquid dispensing
- ⑥ Dispenser pump connections
- ⑦ Overflow and ventilation
- ⑧ Connector Box connection
- ⑨ Connector Kit connection (optional)
- ⑩ LAN connection
- ⑪ Connector Box (optional)
- ⑫ Drain pipe
- ⑬ Connection for equipotential bonding
- ⑭ Water recovery connection (optional)

Standard



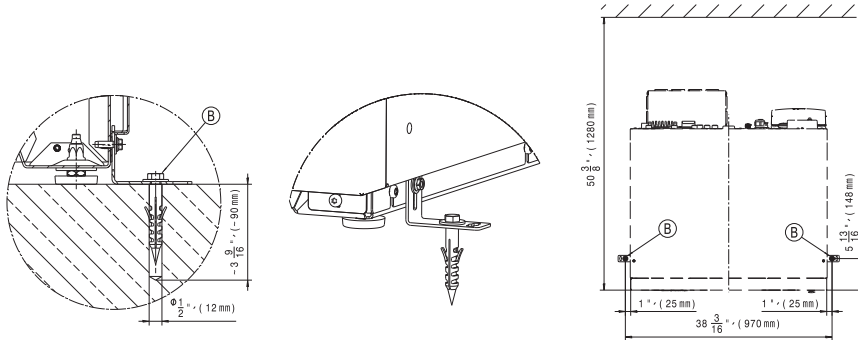
Ⓕ Machine feet

Stand



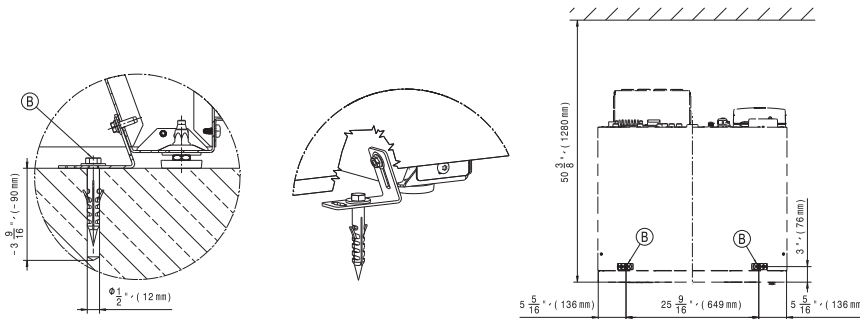
Floor anchoring

Standard

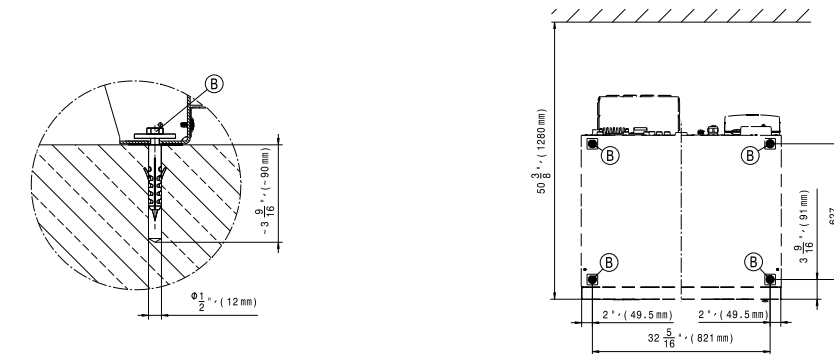


Ⓑ screw/anchor point

Multiple side-by-side installation



Ⓑ screw/anchor point



Ⓑ screw/anchor point

en - Technical details

Electrical version and electrical data

Connection voltage	208/240 V 3 Ph
Frequency	60 Hz
Total amps.	38.4 A
Max. fuse (time delay fuse)	40 A
Minimum circuit ampacity	38.4 A
Connection voltage	240 V 1 Ph 3 Wire
Frequency	60 Hz
Total amps.	16 A
Max. fuse (time delay fuse)	20 A
Mimimum circuit ampacity	16 A

Water connection

Cold water connection

Required flow pressure	14.5-145 psi (100-1000 kPa/1-10 bar)
Maximum flow rate	31.5 l/min
Threaded union required (male thread, to be provided by customer in accordance with DIN 44991, flat sealing)	3 x 3/4"
Length of water inlet hose supplied	3 x 61" (1.55 m)

Warm water connection

Maximum permissible hot water temperature	158 °F (70 °C)
Required flow pressure	14.5-145 psi (100-1000 kPa/1-10 bar)
Maximum flow rate	16 l/min
Threaded union required (male thread, in accordance with DIN 44991, flat sealing)	1 x 3/4"
Length of water inlet hose supplied	61" (1.55 m)

Hot water connection (for variants without heating)

Maximum permissible hot water temperature	194 °F (90 °C)
Required flow pressure	14.5-145 psi (100-1000 kPa/1-10 bar)
Maximum flow rate	16 l/min
Threaded union required (male thread, in accordance with DIN 44991, flat sealing)	1 x 1"
Length of water inlet hose supplied	61" (1.55 m)

Hard water connection (optional)

Required flow pressure	14.5-145 psi (100-1000 kPa/1-10 bar)
Maximum flow rate	32 l/min
Threaded union required (male thread, in accordance with DIN 44991, flat sealing)	2 x 3/4"
Length of water inlet hose supplied	2 x 61" (1.55 m)

Drainage

Maximum drain water temperature	203°F (95°C)
Waste water connection (on machine)	Plastic pipe HT DN 70
Drain (on site)	Connection DN 70
Maximum drainage rate	200 l/min

Connection for equipotential bonding

Male thread	M10
Toothed washers	M10

Installation dimensions

Casing width (without add-on components)	36 1/4" (920 mm)
Casing height (without add-on components)	57" (1447 mm)
Casing depth (without add-on components)	29 11/16" (754 mm)
Overall machine width	36 3/8" (924 mm)
Overall machine height	57 1/16" (1450 mm)
Overall machine depth	37 1/2" (953 mm)
Minimum width of transport opening	40 3/16" (1020 mm)
Minimum distance between wall and front of machine	50 3/8" (1280 mm)
Door-opening diameter	16 5/16" (415 mm)
Door-opening angle	180°

Anchoring

Standard

Required anchor points	2
DIN 571 wood screw (diameter x length)	1/2" x 3 1/2" (12 mm x 90 mm)
Rawl plugs (diameter x length)	5/8" x 3 1/8" (16 mm x 80 mm)

With base (APWM)

Required anchor points	4
DIN 571 wood screw (diameter x length)	1/2" x 3 1/2" (12 mm x 90 mm)
Rawl plugs (diameter x length)	5/8" x 3 1/8" (16 mm x 80 mm)

Concrete plinth

Required anchor points	2
DIN 571 wood screw (diameter x length)	1/2" x 3 1/2" (12 mm x 90 mm)
Rawl plugs (diameter x length)	5/8" x 3 1/8" (16 mm x 80 mm)

Transport data, weight and floor load

Models with detergent drawer (DD)

Packaging width	43" (1090 mm)
Packaging height	62 3/8" (1585 mm)
Packaging depth	44 1/2" (1130 mm)
Gross volume	1952 l
Gross weight*	822.3 - 895.1 lb (373 - 406 kg)
Net weight*	771.6 - 844.4 lb (350 - 383 kg)
Maximum floor load during operation*	5091 N

*depending on equipment configuration







Emissions data

Workplace-related sound pressure level, washing	51 dB (A)
Sound power level, washing	60 dB (A)
Workplace related sound pressure level, spinning	65 dB (A)
Sound power level, spinning	77.0 dB (A)
Average heat dissipation rate to installation site	6.48 MJ/h


Remarques sur l'installation	24
Explication des consignes de sécurité et des avertissements sur l'appareil	24
Conditions d'installation.....	24
Conditions de fonctionnement générales	24
Installation	25
Montage sur un socle en béton.....	25
Ajustement	25
Fixation.....	26
Raccordement électrique	26
Raccordement à l'eau	28
Raccordement à l'eau froide.....	28
Raccordement à l'eau chaude.....	28
Vanne de vidange.....	29
Raccordement à l'eau pour les variantes avec chauffage externe (EH).....	29
Raccordements pour pompes de dosage.....	29
Accessoires en option.....	31
Kit de raccordement à l'eau dure (APWM062).....	31
APWM 019/020 boîte de raccordement.....	31
Interface Wi-Fi / LAN.....	32
Socle (APWM 030/034)	32
Kit d'évacuation de vapeur et de mousse (APWM 063)	32
Installation	33
Standard.....	33
Socle	35
Installation	37
Standard.....	37
Socle	38
Ancrage au sol.....	39
Données techniques	40
Variantes de tension et caractéristiques électriques	40
Raccordement à l'eau	40
Raccordement à l'eau froide.....	40
Raccordement à l'eau chaude	40
Raccordement à l'eau chaude (pour les variantes sans chauffage ou avec puissance de chauffe réduite)	40
Raccordement à l'eau dure (en option).....	40
Vidange	41
Raccordement pour liaison équipotentielle.....	41
Dimensions d'installation	41
Fixation.....	41
Données de transport, poids et charge au sol	42
Modèles avec tiroir à produits (TP)	42
Données d'émissions	42

fr - Remarques sur l'installation

Explication des consignes de sécurité et des avertissements sur l'appareil

	Lire le mode d'emploi
	Lire toutes les instructions, par ex. le plan de montage
	Attention, surfaces très chaudes
	Attention, tension jusqu'à 1 000 volts
	Mise à la terre
	Liaison équipotentielle

Conditions d'installation

 **ATTENTION:** La machine à laver doit être installée et mise en service par un technicien du service technique Miele ou par le personnel dûment formé d'un revendeur agréé par la marque.

► La machine à laver doit être installée conformément aux normes et réglementations en vigueur. Les prescriptions du fournisseur d'énergie local et des services des eaux doivent en outre être respectées.

► Cette machine à laver ne doit être utilisée que dans une pièce suffisamment ventilée et à l'abri du gel.

La machine à laver ne doit pas être installée ou utilisée dans une zone présentant un risque d'explosion.

Conditions de fonctionnement générales

Cette machine à laver est conçue uniquement pour une utilisation en intérieur et dans un environnement commercial.

- Température ambiante : 0-40 °C (32-105 °F)
- Humidité relative : sans condensation
- Hauteur maximale au-dessus du niveau de la mer du site de l'emplacement : 2000 m (6500 pieds)

Selon la nature du site d'installation, des émissions sonores et des vibrations peuvent survenir.

Conseil : Faire inspecter le site d'installation et faire appel à un professionnel dans le cas où l'augmentation des émissions sonores deviendrait une nuisance.

Installation

Transporter la laveuse vers son lieu d'installation à l'aide d'un transpalette approprié et retirer l'emballage de transport.

La laveuse doit être installée sur une surface entièrement plane, horizontale et solide qui résiste au moins à une charge au sol indiquée (voir « Données techniques »).

Conseil : Un sol en béton est la surface d'installation la mieux adaptée pour cet appareil. En effet, il est moins sujet aux vibrations du cycle d'essorage que les planchers en bois ou les sols recouverts d'une moquette.

La charge créée sur le plancher par la laveuse est la charge exercée par la zone de l'appareil en contact avec la surface d'installation et est transférée sur cette dernière.

La laveuse nécessite un écart d'au moins 50 mm (2 po) de chaque côté pour permettre le mouvement durant le fonctionnement. S'assurer qu'une distance minimum de 400 mm (15 3/4 po) entre l'arrière de l'appareil et le mur derrière est maintenue.

La laveuse ne doit pas être installée sur de la moquette.

Les pieds de la laveuse doivent être fixés au sol au niveau des points de fixation à l'aide des raccords fournies.

Les raccords fournis servent à fixer l'appareil sur un sol en béton. Si d'autres types de sol sont présents sur le lieu d'installation, le matériel de fixation doit être commandé par le client.

Montage sur un socle en béton

Le lave-linge peut être installé en option sur un socle en béton.

La qualité du béton et la solidité du socle en béton doivent correspondre à la charge au sol indiquée au chapitre « Caractéristiques techniques ».

- Vérifiez que le socle en béton soit bien fixé au sol et résiste aux charges partant du lave-linge, afin de garantir la stabilité de l'appareil.
- Fixez impérativement le lave-linge à l'aide du matériel de fixation fourni selon l'installation du socle.

⚠ Après avoir terminé l'installation, le lave-linge doit impérativement être fixé sur le socle béton !
Attention ! Risque que sans fixation le lave-linge bascule du socle lors de l'essorage.

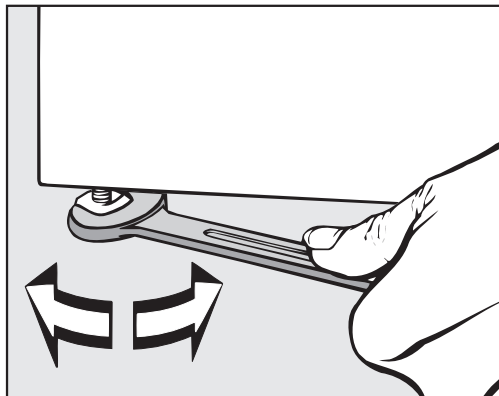
Ajustement

- Ajustez le lave-linge après installation dans le sens longitudinal et transversal à l'aide de pieds réglables et d'un niveau à bulles.

fr - Remarques sur l'installation

Pour garantir un fonctionnement efficace et économe en énergie, le lave-linge doit être posé bien à l'horizontale sur ses 4 pieds. Dans le cas contraire, la consommation d'eau et d'énergie augmente et peut provoquer un déplacement de l'appareil.

- Serrez les contre-écrous après ajustement à l'aide d'une clé plate dans le sens contraire des aiguilles d'une montre, pour que les pieds ne puissent pas être déréglés.



Fixation

- Fixez le lave-linge à l'aide du matériel de fixation fourni, au sol par les pieds pour le stabiliser.

Le matériel de fixation fourni est prévu pour une fixation par goujons sur le sol en béton. Au cas où d'autres constructions au sol soient présentes sur le lieu d'installation, il faut commander séparément le matériel de fixation.

Raccordement électrique

Le raccordement électrique doit être effectué uniquement par un électricien qualifié qui est entièrement responsable du respect des normes et réglementations électriques en vigueur.

- ▶ La machine à laver doit être raccordée à un système électrique conforme aux réglementations nationales et locales. En outre, il convient de respecter tous les règlements des entreprises de distribution d'électricité et des compagnies d'assurance compétentes, de prévention des accidents ainsi que les règles de l'art reconnues.
- ▶ La tension réseau, la puissance raccordée et le calibre du fusible sont indiqués sur la plaque signalétique de la machine à laver. Avant de raccorder la machine à laver à l'alimentation électrique, s'assurer que la tension réseau indiquée sur la plaque signalétique correspond à celle de l'alimentation électrique principale.

Le raccordement à une tension réseau différente de celle indiquée sur la plaque signalétique peut entraîner des dysfonctionnements et endommager la machine à laver.

Si plusieurs tensions réseau sont indiquées sur la plaque signalétique, la machine à laver peut être convertie pour un raccordement aux tensions spécifiées par le service technique Miele.

► La conversion à une tension réseau différente ne peut être effectuée que par un technicien du service technique Miele ou par un technicien agréé. Les instructions de câblage figurant sur le schéma de câblage doivent être respectées.

La machine à laver peut disposer d'un raccordement fixe ou de type fiche/prise, conformément aux codes et règlements nationaux. Pour les appareils à raccordement fixe, le raccordement doit être effectué via un interrupteur approprié avec une isolation de tous les pôles sur le site d'installation.

Les interrupteurs garantissent une ouverture des contacts de plus de 3 mm. Cela inclut les disjoncteurs, les fusibles et les relais.

Si l'alimentation électrique ne peut pas être coupée de façon permanente, le interrupteur (y compris la fiche et la prise) doit être protégé contre toute mise sous tension involontaire ou non autorisée.

Conseil : Nous recommandons de raccorder l'alimentation électrique via une fiche et une prise appropriées, qui doivent être facilement accessibles pour les travaux de maintenance et d'entretien une fois l'appareil installé.

► Si les réglementations locales exigent l'installation d'un dispositif différentiel à courant résiduel (DDR), il convient d'utiliser un dispositif différentiel à courant résiduel de type B (sensible au courant universel).

Un dispositif différentiel à courant résiduel (DDR) existant de type A doit être remplacé par un DDR de type B.

Si les réglementations locales et nationales en matière d'installation exigent une liaison équipotentielle, une liaison équipotentielle avec une bonne liaison des contacts doit être établie. La liaison équipotentielle doit être effectuée à un courant de fuite de >10 mA.

Au besoin, une liaison équipotentielle avec un bon contact galvanique doit toujours être fournie conformément à toutes les réglementations nationales et locales.

Les accessoires pour effectuer une liaison équipotentielle ne sont pas fournis et doivent être commandés séparément.

Raccordement à l'eau

Le lave-linge doit être raccordé à un réseau d'eau domestique conformément aux normes de sécurité locales et nationales en vigueur. Il peut être raccordé à la source d'eau sans disconnecteur, si les normes nationales le permettent.

La pression de l'eau doit être de minimum 100 kPa (14,5 psi) et ne doit pas dépasser une surpression de 1000 kPa (145 psi). Si la pression de l'eau est supérieure à 1000 kPa (145 psi), un réducteur de pression doit être utilisé.

L'appareil doit être raccordé à l'alimentation en eau à l'aide des tuyaux d'arrivée d'eau fournis.

⚠ Les points de raccordement sont soumis à la pression de l'alimentation en eau.
Ouvrez lentement le robinet et vérifiez qu'il n'y a aucune fuite. Modifiez au besoin la position du joint et du raccord fileté.

Raccordement à l'eau froide

Pour le raccordement à l'eau froide, un robinet muni d'un raccordement fileté de $\frac{3}{4}$ " est nécessaire. Un raccord (pièce en Y) peut être utilisé si nécessaire pour raccorder 2 tuyaux d'arrivée d'eau avec un raccord fileté $\frac{3}{4}$ " à un même robinet avec un filetage mâle 1".

Le tuyau d'arrivée d'eau pour eau froide (bandes bleues) n'est pas adapté à un raccordement à l'eau chaude.

Raccordement à l'eau chaude

Pour réduire la consommation d'énergie pendant le fonctionnement à l'eau chaude, raccordez la laveuse à une conduite circulaire d'eau chaude.

Si elles ne sont pas utilisées de manière continue, les « lignes de transmission » (conduites individuelles vers les générateurs d'eau chaude) peuvent entraîner un refroidissement de l'eau restante dans les conduites. Il faudrait davantage d'énergie pour chauffer le bain lessiviel.

Pour le raccordement à l'eau chaude, utiliser le tuyau d'arrivée d'eau fourni (bandes rouges).

La température d'arrivée d'eau chaude ne doit pas dépasser 158 °F (70 °C) sur les appareils à chauffage électrique (EL).
La température d'arrivée d'eau chaude ne doit pas dépasser 90 °C sur les appareils sans chauffage électrique (EH).
La laveuse doit être raccordée à l'alimentation en eau à l'aide des tuyaux d'arrivée d'eau fournis.

Si aucune alimentation en eau chaude n'est disponible sur le lieu d'installation, le tuyau d'arrivée d'eau chaude doit également être raccordé à l'alimentation en eau froide. Dans ce cas, une pièce en Y

supplémentaire est requise. La consommation d'eau froide de la laveuse augmente en conséquence pour compenser l'arrivée d'eau chaude manquante.

Pour des raisons fonctionnelles et techniques, il est impossible de faire fonctionner la laveuse uniquement avec un raccordement à l'eau chaude.

Même avec un raccordement à l'eau chaude, la laveuse doit être raccordée à une arrivée d'eau froide.

Vanne de vidange

Pour les machines à laver avec une vanne de vidange, une vanne motorisée est utilisée pour vidanger l'appareil. Un coude de raccordement (2 3/4 po.) peut être utilisé pour vidanger l'appareil directement dans le système des eaux usées (sans siphon) ou via une évacuation au sol sur site (avec siphon anti-odeur).


Un mécanisme de fermeture optimisé et un diamètre de coupe transversale plus grand empêchent la survenue d'obstructions et de dépôts, même en cas de salissures importantes. La vanne de vidange peut également être utilisée manuellement pour vider la cuve de façon exceptionnelle, en cas de panne de courant.

Un système de vidange ventilé est nécessaire pour assurer une bonne évacuation.

Si plusieurs appareils sont raccordés à un seul tuyau de vidange, celui-ci doit être suffisamment grand pour permettre la vidange simultanée de tous les appareils.

Si la pente de vidange est extrêmement prononcée, les tuyaux doivent être purgés afin d'éviter la formation de vide dans le système de vidange de la machine à laver.

Une vidange lente ou obstruée ou une accumulation d'eau dans le tambour résultant d'une conduite trop petite peut occasionner des anomalies qui feront apparaître des messages d'erreur à l'écran lors des déroulements de programmes.

 La température des eaux vidangées peut atteindre 203 °F (95 °C). Il existe un risque de brûlure!

Évitez tout contact direct.

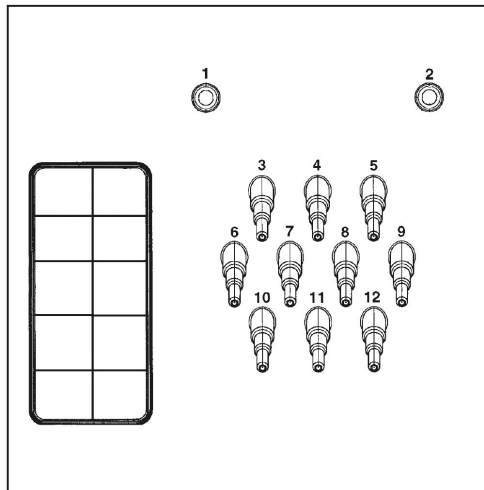
Raccordement à l'eau pour les variantes avec chauffage externe (EH)

L'appareil doit être raccordé à des alimentations en eau froide et en eau chaude. Une température d'eau chaude minimale de 80 °C est recommandée. L'utilisation de programmes de désinfection n'est pas possible en raison de l'absence de chauffage auxiliaire. Les températures de lavage autorisées sont définies par la température d'arrivée.

Raccordements pour pompes de dosage

Il est possible de raccorder jusqu'à 12 pompes de dosage à la laveuse.

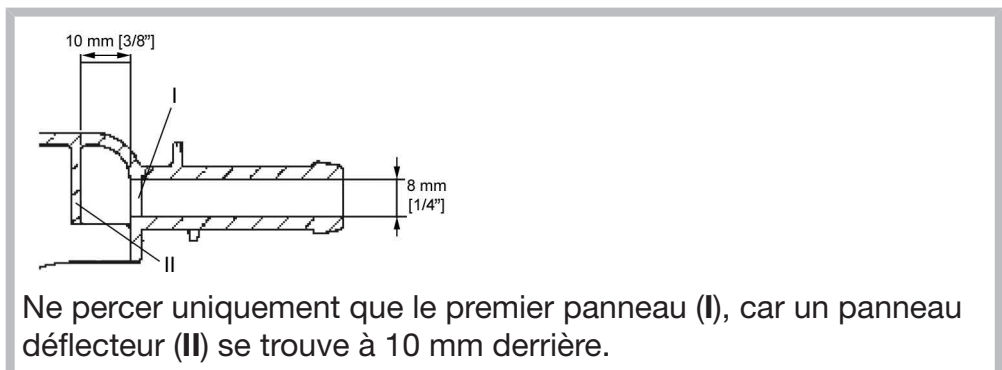
fr - Remarques sur l'installation



Raccordements pour la pompe de dosage au dos de l'appareil

Les raccords **1** et **2** sont fournis pour les produits visqueux et peuvent également être utilisés pour des systèmes de dosage haute pression avec injection d'eau. Les systèmes de dosage doivent être équipés d'une sécurité enfant distincte pour l'eau potable conformément aux normes EN 61770 et EN 1717. Le débit maximal est de 1500 ml/min avec une pression de débit maximale de 300 kPa (43 psi).

Ces raccords sont scellés et doivent être percés à l'aide d'un foret de 8 mm avant tout raccordement.



Les raccords **3** à **12** sont destinés aux lessives liquides. Les systèmes de dosage haute pression avec injection d'eau ne doivent pas être raccordés à ces raccords. Les raccords sont scellés et doivent être coupés au diamètre du tuyau à l'aide d'une petite scie avant tout raccordement.

Si des raccords ouverts ne sont plus nécessaires, ils doivent être rescellés à l'aide d'un enduit adapté (par ex. à base de silicone).

Les pompes de dosage sont raccordées et calibrées via la boîte de raccordement disponible en option.

Un débitmètre ou des capteurs de débit peuvent être connectés pour un contrôle précis de la quantité de dosage.

Des raccords pour le contrôle du niveau de remplissage sont disponibles pour chaque produit de lavage.

Accessoires en option

N'utiliser que des accessoires et des pièces de rechange d'origine Miele avec cet appareil.

Si des pièces de rechange ou des accessoires d'autres fabricants sont utilisés, la garantie sera annulée, et Miele n'acceptera aucune responsabilité.

Kit de raccordement à l'eau dure (APWM062)

Le raccordement à l'eau dure sur la machine à laver peut être installé ultérieurement au moyen du kit de raccordement à l'eau dure (APWM062).

Le raccordement d'eau supplémentaire permet d'utiliser l'eau dure, pour une durée de programme réduite. L'eau dure est en outre particulièrement adaptée aux cycles de rinçage final.

APWM 019/020 boîte de raccordement

La boîte de raccordement permet de raccorder le matériel externe de Miele et d'autres fournisseurs à la laveuse Miele Professional.

Les débitmètres d'arrivée d'eau peuvent également être raccordés à la boîte de raccordement (APWM 065).

Délestage / Gestion de l'énergie

Un délestage ou un système de gestion de l'énergie peut être raccordé à la boîte de raccordement.

Le système de gestion de l'énergie contrôle la consommation d'énergie d'un système et désactive temporairement des équipements individuels au moyen de la négociation de délestage pour garantir que certaines limites de charge totales ne soient pas dépassées.

Lorsque la fonction de délestage est activée, le chauffage est désactivé et le programme arrêté. Un message d'information s'affiche à l'écran.

Le programme reprend automatiquement à la fin de la fonction de délestage.

Raccordement à un système de dosage de produits liquides

Les pompes de dosage de produits liquides externes dotées d'un indicateur « réservoir vide » et/ou d'un débitmètre peuvent être utilisées via la boîte de raccordement pour le dosage de lessives liquides.

Les pompes de dosage ne peuvent être programmées que par le service à la clientèle Miele.

Il est très important de respecter les instructions du fabricant avant d'utiliser et de mélanger des détergents et des produits à usage spécifique.

fr - Remarques sur l'installation

Interface Wi-Fi / LAN

La laveuse est équipée d'une interface Wi-Fi / LAN pour échanger des données.


L'interface de données fournie par le raccordement LAN respecte la TBTS (Très Basse Tension de Sécurité), conformément à la norme EN 60950. Le raccordement LAN utilise un raccord RJ45, conformément à la norme EIA/TIA 568-B.

Les appareils branchés doivent également respecter la TBTS.

Socle (APWM 030/034)

La laveuse peut être montée sur un socle d'appareil (socle ouvert ou fermé, disponible en tant qu'accessoire Miele en option).

Surélever la laveuse permet une position de travail ergonomique lors du chargement et du déchargement. Cela facilite également l'installation d'un raccordement de vidange.

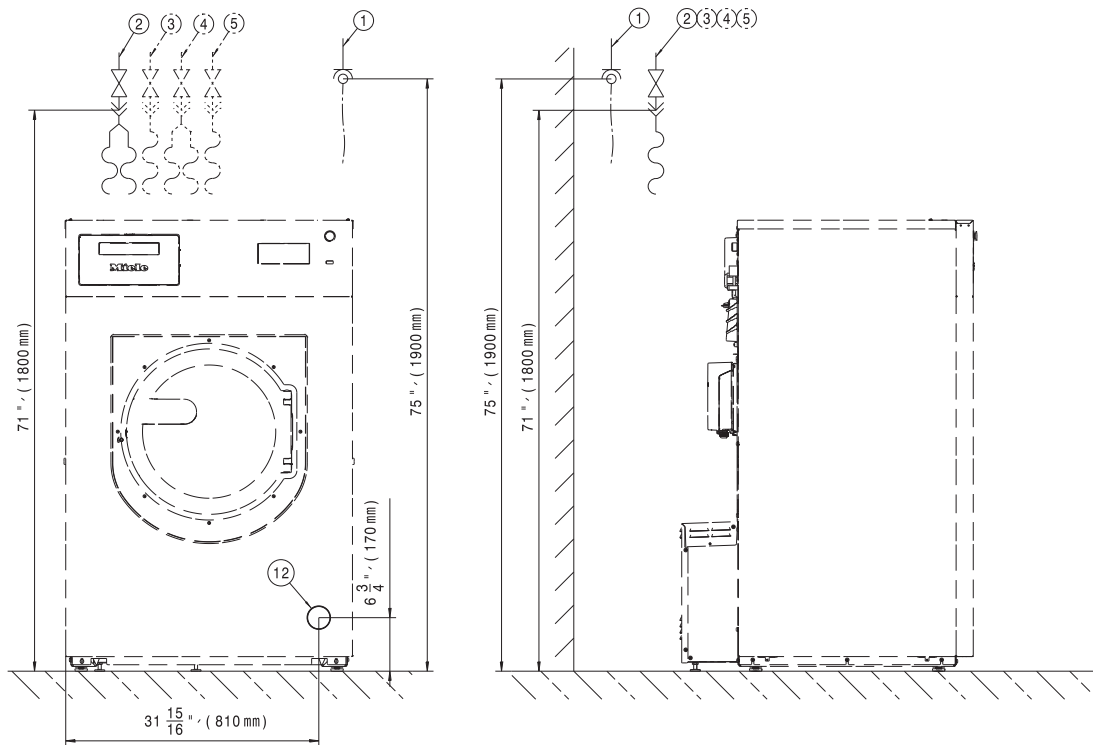
 La laveuse doit être fixée au socle juste après l'installation! Le socle doit être fixé au sol!

Si le socle n'est pas fixé, la laveuse risque de tomber pendant un cycle d'essorage.

Kit d'évacuation de vapeur et de mousse (APWM 063)

Si une quantité excessive de bain lessiviel se forme, la mousse peut s'échapper à travers l'évacuation de la vapeur. Un kit d'évacuation de vapeur et de mousse en option peut être utilisé pour éliminer la mousse.

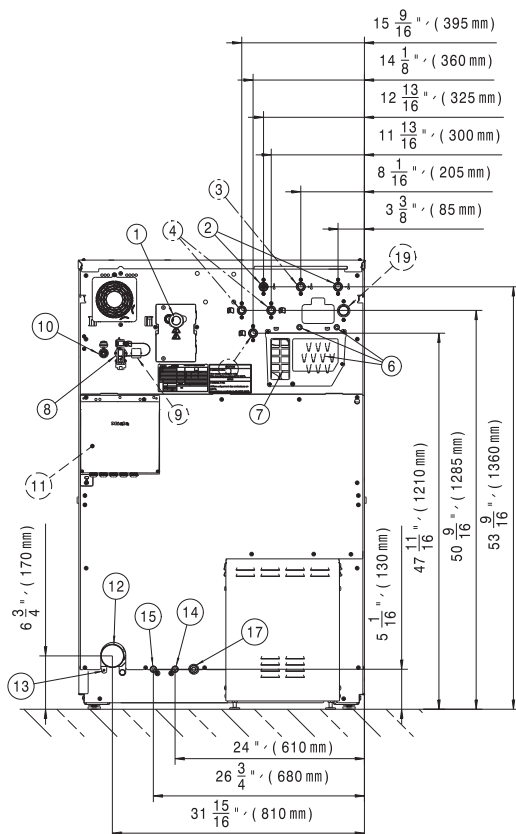
Standard



- ① Raccordement électrique
- ② Raccordement à l'eau froide
- ③ Raccordement à l'eau chaude

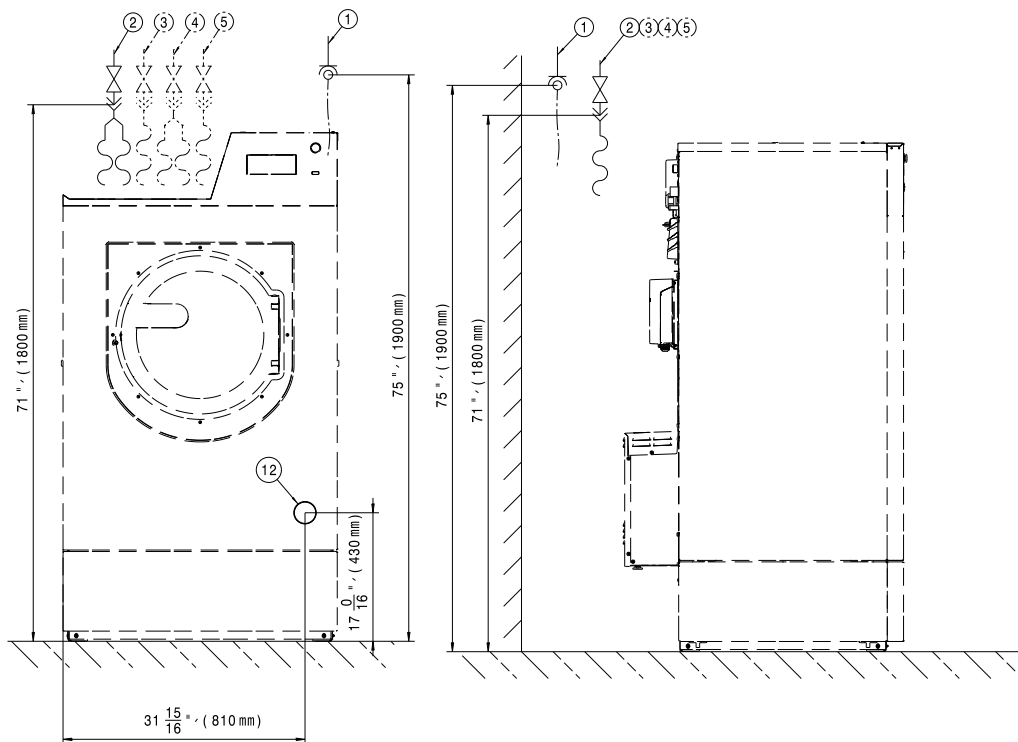
- ④ Raccordement à l'eau froide (sinon, raccordement à l'eau dure)
- ⑤ Raccordement à l'eau froide pour le dosage de produits liquides
- ⑫ Tuyau de vidange

fr - Installation



- ① Raccordement électrique
- ② Raccordement à l'eau froide
- ③ Raccordement à l'eau chaude
- ④ Raccordement à l'eau froide pour eau dure (en option)
- ⑤ Raccordement à l'eau froide pour le dosage de produits liquides
- ⑥ Raccordements pour pompes de dosage
- ⑦ Débordement et ventilation
- ⑧ Raccordement pour boîte de raccordement
- ⑨ Raccordement pour kit de raccordement (en option)
- ⑩ Raccordement LAN
- ⑪ Boîte de raccordement (en option)
- ⑫ Tuyau de vidange
- ⑬ Raccordement pour liaison équipotentielle
- ⑭ Raccordement pour récupération d'eau (en option)

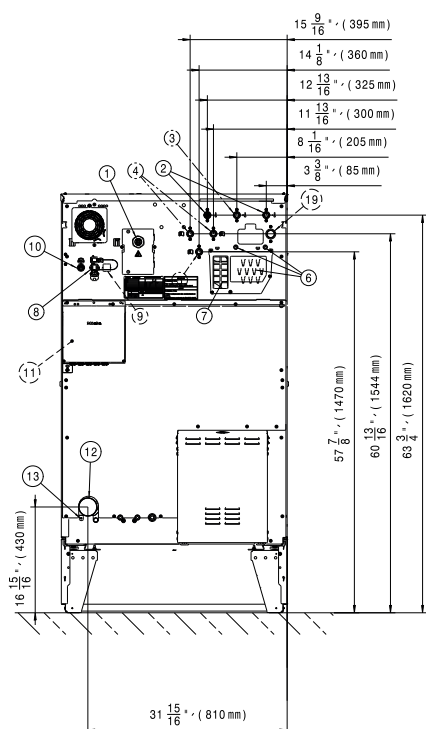
Socle



- ① Raccordement électrique
- ② Raccordement à l'eau froide
- ③ Raccordement à l'eau chaude

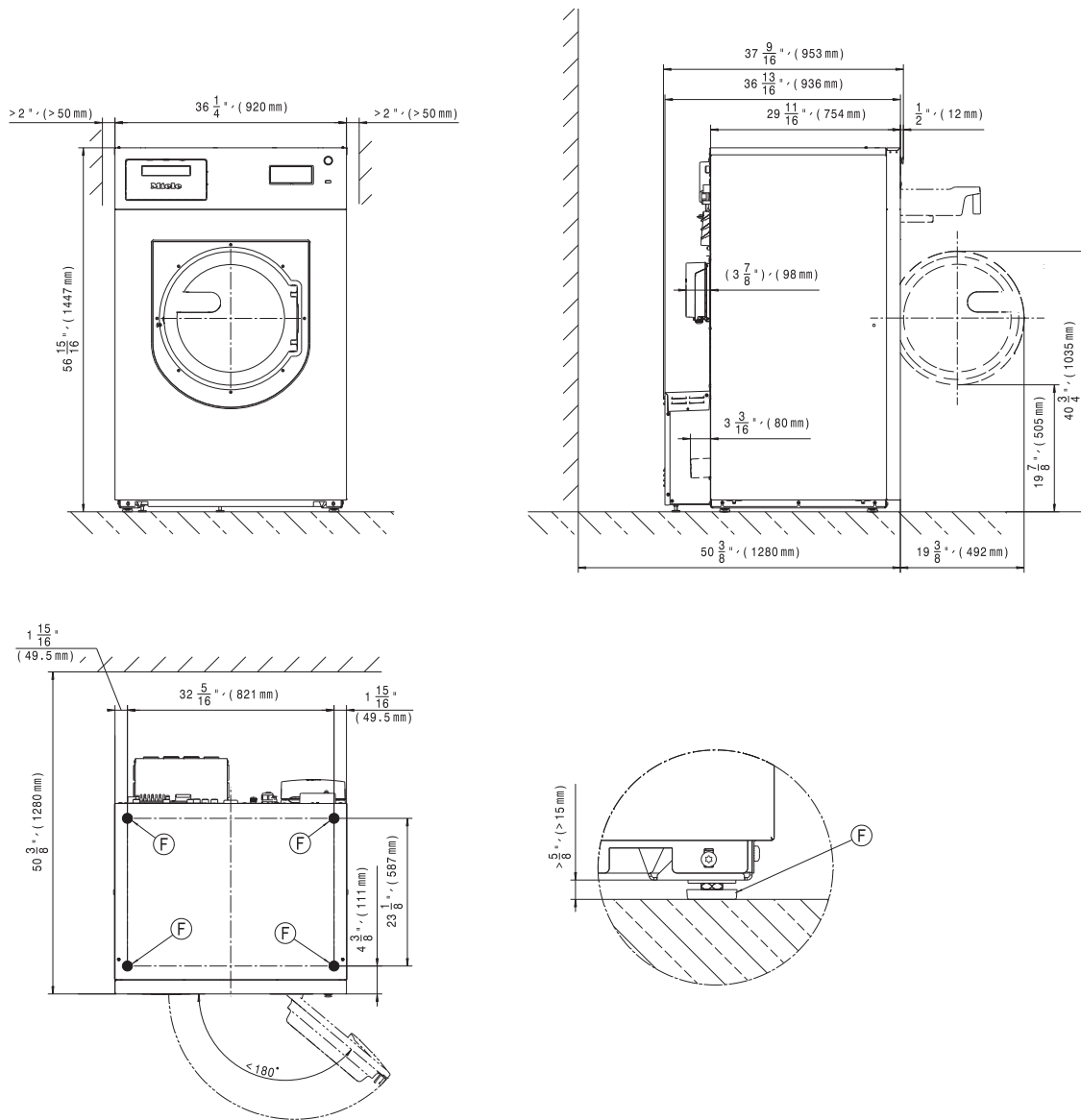
- ④ Raccordement à l'eau froide (sinon, raccordement à l'eau dure)
- ⑤ Raccordement à l'eau froide pour le dosage de produits liquides
- ⑫ Tuyau de vidange

fr - Installation



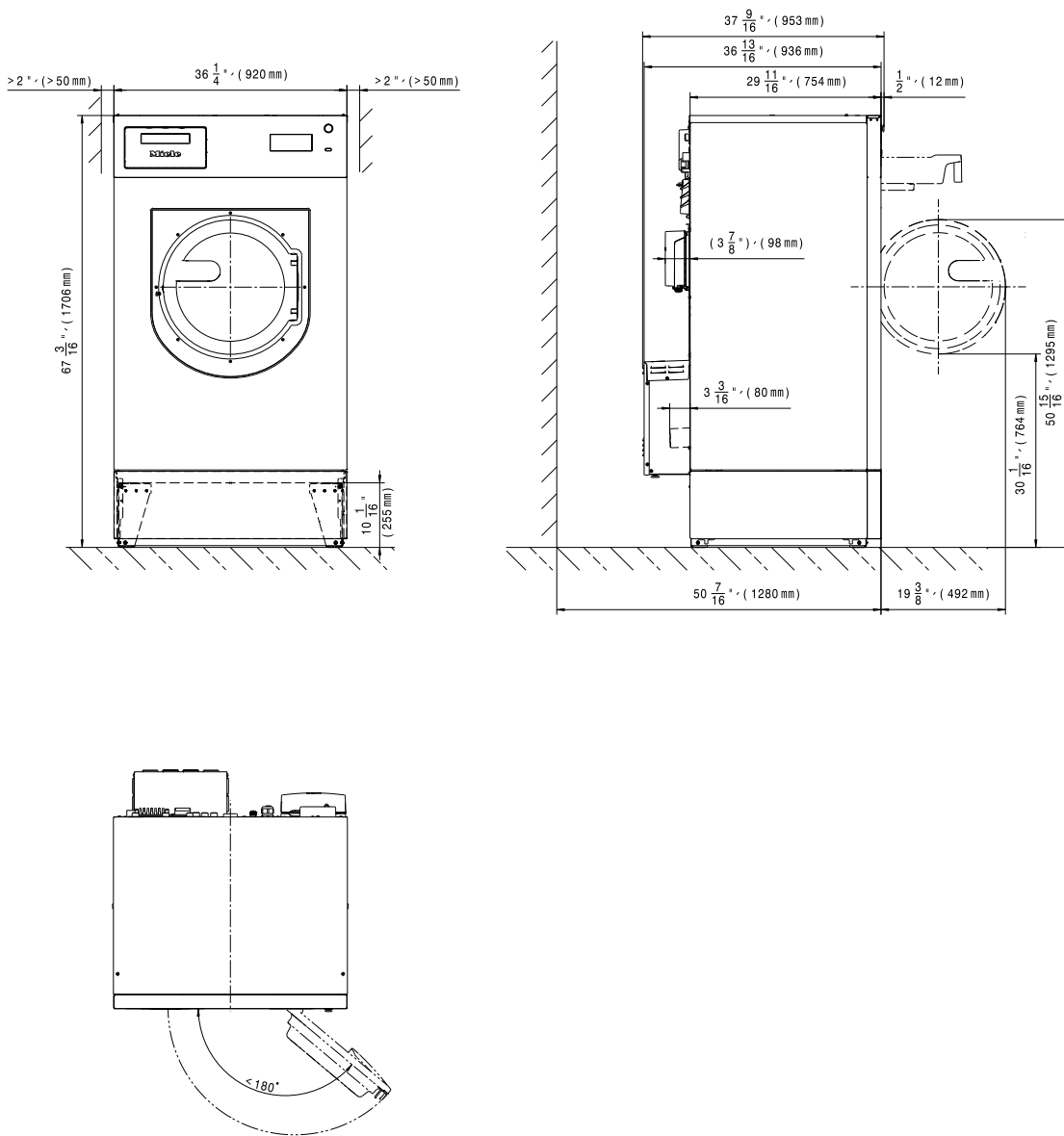
- ① Raccordement électrique
- ② Raccordement à l'eau froide
- ③ Raccordement à l'eau chaude
- ④ Raccordement à l'eau froide pour eau dure (en option)
- ⑤ Raccordement à l'eau froide pour le dosage de produits liquides
- ⑥ Raccordements pour pompes de dosage
- ⑦ Débordement et ventilation
- ⑧ Raccordement pour boîte de raccordement
- ⑨ Raccordement pour kit de raccordement (en option)
- ⑩ Raccordement LAN
- ⑪ Boîte de raccordement (en option)
- ⑫ Tuyau de vidange
- ⑬ Raccordement pour liaison équipotentielle
- ⑭ Raccordement pour récupération d'eau (en option)

Standard



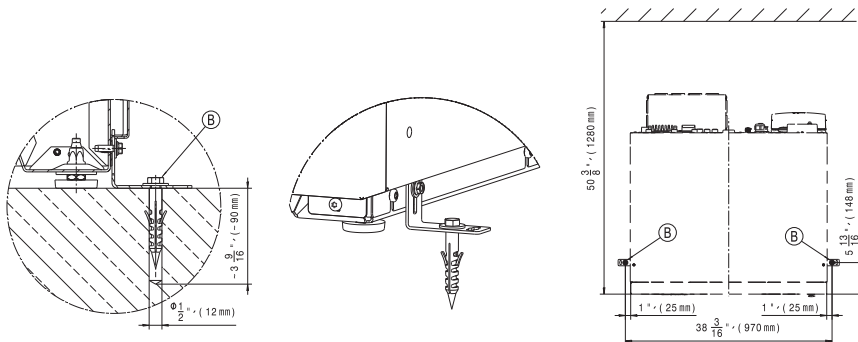
ⓕ Pied de l'appareil

Socle



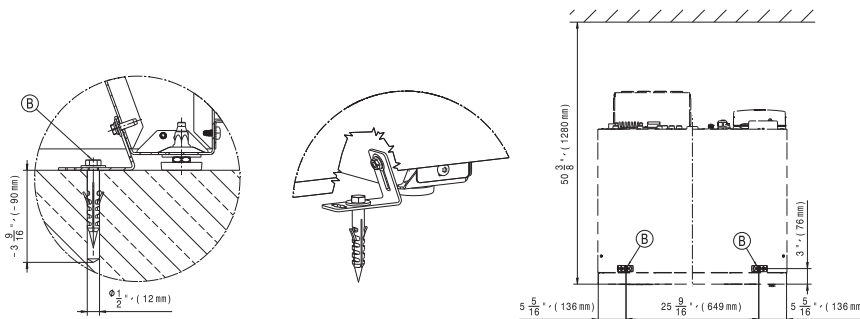
Ancrage au sol

Standard

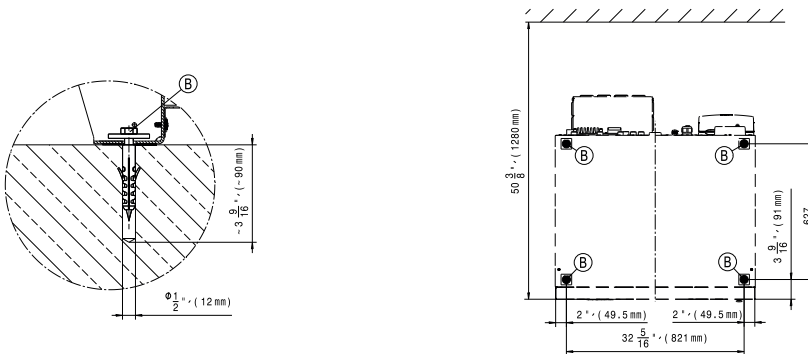


Ⓑ Vis/point d'ancrage

Installation côte-à-côte multiple



Ⓑ Vis/point d'ancrage



Ⓑ Vis/point d'ancrage

Variantes de tension et caractéristiques électriques

Tension de raccordement	208/240 V 3 Ph
Fréquence	60 Hz
Amp. totaux	38.4 A
Fusible max. (fusible à retardement)	40 A
Ampérage minimum du circuit	38.4 A
Tension de raccordement	240 V 1 Ph 3 Wire
Fréquence	60 Hz
Amp. totaux	16 A
Fusible max. (fusible à retardement)	20 A
Ampérage minimum du circuit	16 A

Raccordement à l'eau

Raccordement à l'eau froide

Pression d'écoulement requise	14.5-145 psi (100-1000 kPa/1-10 bar)
Débit maximum	31.5 l/min
Raccord fileté requis (filetage mâle, doit être fourni par le client conformément à la norme DIN 44991, joint plat)	3 x 3/4"
Longueur du tuyau d'arrivée d'eau fourni	3 x 61" (1.55 m)

Raccordement à l'eau chaude

Température maximale admissible de l'eau chaude	158 °F (70 °C)
Pression d'écoulement requise	14.5-145 psi (100-1000 kPa/1-10 bar)
Débit maximum	16 l/min
Raccord fileté requis (filetage d'arrosage mâle, conformément à la norme DIN 44991, joint plat)	1 x 3/4"
Longueur du tuyau d'arrivée d'eau fourni	61" (1.55 m)

Raccordement à l'eau chaude (pour les variantes sans chauffage ou avec puissance de chauffe réduite)

Température maximale admissible de l'eau chaude	194 °F (90 °C)
Pression d'écoulement requise	14.5-145 psi (100-1000 kPa/1-10 bar)
Débit maximum	16 l/min
Raccord fileté requis (filetage mâle, conformément à la norme DIN 44991, joint plat)	1 x 1"
Longueur du tuyau d'arrivée d'eau fourni	61" (1.55 m)

Raccordement à l'eau dure (en option)

Pression d'écoulement requise	14.5-145 psi (100-1000 kPa/1-10 bar)
Débit maximum	32 l/min
Raccord fileté requis (filetage mâle, conformément à la norme DIN 44991, joint plat)	2 x 3/4"
Longueur du tuyau d'arrivée d'eau fourni	2 x 61" (1.55 m)

Vidange

Température maximale de l'eau de vidange	203°F (95°C)
Raccordement des eaux usées (sur la machine)	Tuyau en plastique HT DN 70
Vidange (sur site)	Raccordement DN 70
Débit de vidange maximal	200 l/min

Raccordement pour liaison équipotentielle

Filetage mâle	M10
Rondelles crantées	M10

Dimensions d'installation

Largeur de la carrosserie (sans pièces ajoutées)	36 1/4" (920 mm)
Hauteur de la carrosserie (sans pièces ajoutées)	57" (1447 mm)
Profondeur de la carrosserie (sans pièces ajoutées)	29 11/16" (754 mm)
Largeur totale de l'appareil	36 3/8" (924 mm)
Hauteur totale de l'appareil	57 1/16" (1450 mm)
Profondeur totale de l'appareil	37 1/2" (953 mm)
Largeur minimale de l'ouverture de transport	40 3/16" (1020 mm)
Distance de sécurité minimale entre le mur et la façade de l'appareil	50 3/8" (1280 mm)
Diamètre de l'ouverture de porte	16 5/16" (415 mm)
Angle d'ouverture de la porte	180°

Fixation

Standard

Points d'ancrage requis	2
Vis à bois DIN 571 (diamètre x longueur)	1/2" x 3 1/2" (12 mm x 90 mm)
Chevilles (diamètre x longueur)	5/8" x 3 1/8" (16 mm x 80 mm)

Avec socle (APWM)

Points d'ancrage requis	4
Vis à bois DIN 571 (diamètre x longueur)	1/2" x 3 1/2" (12 mm x 90 mm)
Chevilles (diamètre x longueur)	5/8" x 3 1/8" (16 mm x 80 mm)

Socle en béton

Points d'ancrage requis	2
Vis à bois DIN 571 (diamètre x longueur)	1/2" x 3 1/2" (12 mm x 90 mm)
Chevilles (diamètre x longueur)	5/8" x 3 1/8" (16 mm x 80 mm)

fr - Données techniques

Données de transport, poids et charge au sol

Modèles avec tiroir à produits (TP)

Largeur de l'emballage	43" (1090 mm)
Hauteur de l'emballage	62 3/8" (1585 mm)
Profondeur de l'emballage	44 1/2" (1130 mm)
Volume brut	1952 l
Poids brut**	822.3 - 895.1 lb (373 - 406 kg)
Poids net**	771.6 - 844.4 lb (350 - 383 kg)
Charge max. au sol en fonctionnement	5091 N

*dépend de la configuration de l'équipement

Données d'émissions

Niveau de pression acoustique sur le lieu de travail, lavage	51 dB (A)
Niveau de puissance acoustique, lavage	60 dB (A)
Niveau de pression acoustique sur le lieu de travail, essorage	65 dB (A)
Niveau de puissance acoustique, essorage	77.0 dB (A)
Taux de dissipation thermique moyen sur le lieu d'installation	6.48 MJ/h

Miele

Please have the model and serial number of your machine available when contacting Technical Service.

Veillez indiquer le modèle et le numéro de série de votre appareil lorsque vous contactez le service à la clientèle.

U.S.A.
Miele, Inc.

National Headquarters

9 Independence Way
Princeton, NJ 08540
Phone: 800-991-9380
www.mieleusa.com/professional
prosales@mieleusa.com

Technical Service & Support

Phone: 800-991-9380
proservice@mieleusa.com

Canada
Importer | Importateur
Miele Limited | limitée

Professional Division

161 Four Valley Drive
Vaughan, ON L4K 4V8
Phone | Tél. : 1-888-325-3957
www.mieleprofessional.ca
professional@miele.ca

Miele Professional Technical Service | Service Technique

Phone | Tél. : 1-888-325-3957
serviceprofessional@miele.ca



Manufacturer | Fabricant : Miele & Cie. KG
Carl-Miele-Straße 29, 33332 Gütersloh, Germany | Allemagne