



Operating Instructions Heat-Pump Dryer



It is **essential** to read these operating instructions before installation or use of this appliance. This prevents both personal injury and damage to the appliance.

Contents

Caring for the environment	6
WARNING AND SAFETY INSTRUCTIONS	7
Operating the tumble dryer	16
Control panel	16
How the program selector works	17
How the control panel works	17
Energy saving tips	19
Functioning of the heat-pump dryer	20
Initial commissioning	21
Miele@home	21
Downtime after installation	22
1. Notes on correct laundry care	24
Points to note regarding washed laundry	24
Preparing the laundry before drying	24
Drying	25
Understanding the care-label symbols	25
Selecting the correct drying level	25
2. Loading the tumble dryer	26
Loading the laundry	26
3. Selecting a program and starting it	27
Switching on the tumble dryer	27
Selecting a program	27
1. Selecting drying programs using the program selector	27
2. Selecting drying programs via the  MobileStart program selector position	27
Selecting the drying level for programs with a selectable drying level	28
Time-controlled and other programs	28
Selecting Gentle	29
Starting a program	29
4. Removing the laundry at the end of the program	30
End of program / Anti-crease	30
Removing the laundry	30
 Delay start/SmartStart	31
Selecting the delay start function	31
SmartStart	32

Program chart	33
Changing the program sequence	37
Adding or removing laundry	37
Condensed water container	38
Emptying the condensed water container	38
Fragrance capsule	39
FragranceDos	39
Removing the protective seal from the fragrance flacon.....	39
Inserting the fragrance flacon.....	40
Opening the fragrance flacon	41
Closing the fragrance flacon	41
Removing/replacing the fragrance flacon	41
Cleaning and care	43
Cleaning the lint filters	43
Removing the fragrance flacon	43
Removing visible lint.....	43
Cleaning the lint filters and air flow openings thoroughly	44
Cleaning the lint filters with water	45
Cleaning instructions when using fabric softener sheets.....	46
Cleaning the plinth filter.....	47
Removing the plinth filter	47
Cleaning the plinth filter.....	48
Cleaning the plinth filter flap.....	49
Cleaning the tumble dryer	49
Frequently Asked Questions	50
Indicator lights or information on the time display	50
Unsatisfactory drying results.....	53
The drying cycle duration is very long.....	54
Other problems	55
Replacing the plinth filter.....	56
Reactivating the plinth filter.....	58
Checking the heat exchanger unit.....	58
Bottom right grille.....	59
Technical Service	60
Contact in the event of a fault	60
Warranty	60
Optional accessories.....	60
WARNING AND SAFETY INSTRUCTIONS	61

Contents

Installation	63
Front view	63
Rear view.....	64
Transporting the tumble dryer	64
Transporting the tumble dryer to its installation site	64
Installation	65
Installation	65
Downtime after installation.....	65
Ventilation.....	65
Before moving the tumble dryer again	66
Additional installation requirements	66
Product dimensions	68
Dimensions.....	68
Installation on a plinth	68
Washer-dryer stack	68
Electrical connection	69
Connection adapter for NEMA 14-30 socket.....	69
External draining of condensed water.....	70
Laying the drain hose	70
Condensate drain	70
Changing the door hinging.....	71
Preparation	71
Technical data	79

Programmable functions	80
Programming	80
<i>P01</i> Drying levels “Normal”	82
<i>P02</i> Drying levels “Wrinkle-free”	82
<i>P05</i> Buzzer volume.....	82
<i>P06</i> Keypad tone	82
<i>P07</i> Code.....	83
<i>P08</i> Conductivity	83
<i>P11</i> Control field switch-off status	84
<i>P13</i> Memory.....	84
<i>P14</i> Anti-crease	84
<i>P19</i> Buzzer on.....	85
<i>P20</i> Airway indicator.....	85
<i>P22</i> Display brightness dimmed.....	86
<i>P00</i> factory default setting	86
Networking	87
Switching off WiFi.....	87
<i>P24</i> RemoteUpdate	87
<i>P31</i> Remote control	89
<i>P32</i> SmartGrid	89
Copyrights and licenses for the communication module.....	90

Caring for the environment

Disposal of the packaging material

The cardboard box and packaging materials protect the appliance during shipping. They have been designed to be biodegradable and recyclable.

Recycling the packaging reduces the use of raw materials in the manufacturing process and also the amount of waste.

Disposal of your old appliance

Electronic and electrical appliances contain many valuable materials. They also contain certain materials, compounds and components which were essential for the proper functioning and safe use of the equipment. These could be hazardous to your health and to the environment if disposed of with general waste or if handled incorrectly. Therefore, please do not dispose of your old appliance with general waste.



Consult with local authorities, dealers or Miele in order to dispose of and recycle electrical and electronic appliances. Miele assumes no responsibility for deleting any personal data left on the appliance being disposed. Please ensure that your old appliance is kept away from children until removal. Observe safety requirements for appliances that may tip over or pose an entrapment hazard.

WARNING AND SAFETY INSTRUCTIONS

WARNING

In order to prevent fire, electric shock or injury to persons during the use of this tumble dryer, you must observe the following vital precautionary measures:

WARNING

This tumble dryer is intended for use in domestic households and similar working and residential environments.

- ▶ You must read all instructions before using the tumble dryer for the first time.
- ▶ Children must not play with, on or inside the tumble dryer. Children should be supervised in the vicinity of the tumble dryer. Make sure the door of the tumble dryer is always closed in order to avoid endangering children.
- ▶ If the tumble dryer is no longer in use and you wish to dispose of it, remove the door.
- ▶ Do not install or use a dryer with visible damage.
- ▶ Do not touch the drum whilst it is still rotating.
- ▶ Do not store or operate the tumble dryer outdoors.
- ▶ Do not make any alterations to the tumble dryer.
- ▶ Unauthorized repairs could result in unforeseen dangers for the user, for which Miele cannot accept liability. Do not make any alterations to the tumble dryer, unless authorized to do so by Miele. Repairs should only be carried out by a Miele approved service technician, otherwise there could be a considerable danger to the user.


WARNING AND SAFETY INSTRUCTIONS

► Important information regarding use of fabric softener sheets:
We do not recommend use of fabric softener sheets. Use of fabric softener sheets can clog the surfaces of the lint filters, extending the drying time and increasing energy consumption. During subsequent cleaning, the plastic and surfaces of the lint filters can be damaged! The best results are obtained by using liquid fabric softener in the washing machine. Follow the manufacturer's instructions.
If you still wish to use fabric softener sheets, be sure to follow the cleaning instructions under “Cleaning and care” in the “Cleaning instructions when using fabric softener sheets” section.

Tip:

Using a fragrance capsule (optional accessory) will add a pleasant fragrance to your laundry.


When a fragrance capsule is used, the fragrance is absorbed by the entire load of laundry. The disadvantage of fabric softener sheets is that the fragrance is sometimes only absorbed by a few items of laundry, especially when drying a full load.

 When you use a fragrance capsule, always follow the warnings in this section as well as those under “Fragrance capsule”.

WARNING AND SAFETY INSTRUCTIONS

► To prevent the risk of fire, the following items must not be tumble dried:

- Items which have not been washed.
- Items which have not been thoroughly cleaned and are still soiled with grease, oil or other deposits (such as work clothes, kitchen linens or cosmetics cloths with lubricants, cooking oils, grease, lotions, etc, as there is a danger that they might ignite when heated (chemical reaction), even after they have been removed from the dryer at the end of the program.
- Items which have been washed or dry-cleaned using chemicals or other flammable substances (e.g. professional dry-cleaning agents). They could emit explosive fumes.
- Items that have been soiled with flammable or explosive cleaning agents or substances containing acetone, alcohol, gasoline, petroleum, kerosene, spot removers, turpentine, waxes, wax removers and other chemicals (e.g. mops and floor cloths).
- Items which have been soiled with hair lacquer, hair spray, nail polish remover or similar substances.

 When washing such heavily soiled items ensure that you use a larger quantity of detergent and select a high temperature. If in doubt, wash the items several times.

- Items which contain a large proportion of rubber, foam rubber or rubber-like materials. For example, products made from latex foam rubber, shower caps, waterproof textiles, rubberized articles, and items of clothing and pillows with foam rubber filling.
- Items which contain padding or fillings (e.g. pillows, jackets) and are damaged. The filling could fall out and cause a risk of fire.

WARNING AND SAFETY INSTRUCTIONS

▶ In many programs, the heating phase is followed by a cooling down phase to ensure that the items are not too hot to handle when you remove them (this also prevents the danger of the laundry igniting). The program is not finished until after the cooling down phase. It is advisable to remove all laundry as soon as the program has finished.

▶ The lint filters must be cleaned before or after every drying cycle!

▶ Keep the room where the tumble dryer is located, particularly the plinth area, free from dust and lint.

▶ The inside of the tumble dryer must be cleaned regularly by an authorized specialist.

▶ GROUNDING INSTRUCTIONS

The electrical safety of this dryer can only be guaranteed when continuity is complete between it and an effective grounding system. It is essential that this standard safety requirement is observed and regularly tested. If in any doubt, please have the electrical installation inspected by a qualified electrician. Miele cannot be held liable for the consequences of an inadequate grounding system. The electrical socket must be easily accessible so that the dryer can be disconnected from the electricity supply.

▶ **WARNING** – If the grounding conductor is connected incorrectly, this can result in electric shock. Contact a qualified electrician if you are unsure whether the appliance is properly grounded.

WARNING AND SAFETY INSTRUCTIONS

► Temporary or permanent operation on an autonomous power supply system or a power supply system that is not synchronized with the grid power supply (e.g., island networks, back-up systems) is possible. A prerequisite for operation is that the power supply system complies with the specifications of EN 50160 or an equivalent local standard.

The function and operation of the protective measures provided in the domestic electrical installation and in this Miele product must also be maintained in isolated operation or in operation that is not synchronized with the grid power supply, or these measures must be replaced by equivalent measures in the installation. As described, for example, in the current version of VDE-AR-E 2510-2 or an equivalent local standard.

WARNING AND SAFETY INSTRUCTIONS

- ▶ Do not change the plug: If it does not fit into the socket, you should have a proper outlet installed by a qualified electrician.
- ▶ In the event of a fault or during cleaning and maintenance, the tumble dryer is only completely disconnected from the electricity supply when the tumble dryer plug has been removed or if the fuse has been disconnected or if the screw-out fuse has been removed. Do not switch on the supply until the task has been completed.
- ▶ Miele tumble dryers and Miele washing machines can be installed as a washer-dryer stack. A Miele washer-dryer connection kit is required as an optional accessory for this. Please ensure that the washer-dryer connection kit is suitable for the Miele tumble dryer and the Miele washing machine.
- ▶ If you order a plinth for this tumble dryer (available from Miele as an optional accessory), make sure it is the correct one.
- ▶ The maximum dry laundry weight is 8,0 kg. See the “Program chart” for the maximum recommended loads for individual programs.
- ▶ Do not place shoes inside the drum for drying. Placing shoes inside the drum for drying can cause the belt to tear, requiring a service call.
You must always use the dryer basket (optional accessory) when drying/airing shoes. Follow the additional operating instructions for the dryer basket.
- ▶ This tumble dryer is supplied with a special lamp to cope with particular conditions (e.g. relating to temperature, moisture, chemical resistance, abrasion resistance and vibration). This special lamp must only be used for the purpose for which it is intended. It is not suitable for room lighting. Replacement lamps may only be fitted by a Miele authorized person or by Miele Customer Service.

WARNING AND SAFETY INSTRUCTIONS

► Heat pump technology and refrigerant:

The heat pump in this tumble dryer uses a gaseous refrigerant which is condensed by the compressor. The refrigerant, which is brought to a higher temperature level and liquefied by condensing, is led in a closed circuit through the heat exchanger unit where heat exchange with the circulating drying air takes place.

 Damage to the tumble dryer by switching it on too soon.

This can damage the heat pump.

After setting up the tumble dryer, wait for at least one hour before starting a drying program.

- The humming noises caused by the heat pump during the drying process are normal. They do not impair the efficient functioning of the tumble dryer.
- The refrigerant is not flammable or explosive.
- This tumble dryer contains fluorinated greenhouse gases.
Hermetically sealed.

Designation of refrigerant: R134a

Amount of refrigerant: 0,47 kg

Global warming potential of refrigerant: 1430 kg CO₂ e

Global warming potential of appliance: 672 kg CO₂ e

► This product can contain chemicals known by the state of California to cause cancer, birth defects and other genetic defects.

WARNING AND SAFETY INSTRUCTIONS

Using a fragrance capsule (optional accessory)

- ▶ Only use genuine Miele original fragrance capsules.
- ▶ The fragrance capsule must be stored in its original packaging so please make sure you retain this.
- ▶ Caution: The fragrance can leak out of the capsule! Make sure that you always keep the capsule or the lint filter with the capsule inserted in it in a horizontal position when carrying, and do not tip or place it down on any surface.
- ▶ Use an absorbent cloth to wipe up any fragrance which has leaked out of the capsule onto the floor, the dryer or any dryer components (e.g. the lint filter) immediately.
- ▶ If fragrance comes in contact with the body: Wash **skin** thoroughly with soap and water. Flush **eyes** with clean water for at least 15 minutes. If swallowed, rinse **mouth** thoroughly with clean water. Seek medical attention if the fragrance comes in contact with the eyes or is swallowed!
- ▶ Immediately change clothes that have come in contact with the fragrance. Thoroughly wash clothing or fabric using a large amount of water and detergent.
- ▶ There is the risk of fire or damage to the tumble dryer if the following instructions are not observed:
 - Never refill a capsule with fragrance.
 - Never use a faulty fragrance capsule.
- ▶ Dispose of an empty fragrance capsule with the household waste and never use it for any other purpose.
- ▶ Please also observe the information supplied with the fragrance capsule.

WARNING AND SAFETY INSTRUCTIONS

FCC Declaration of Conformity

▶ This appliance complies with Part 15 of the FCC regulations. This appliance has been tested and found to comply with the limits for a Class B digital device, pursuant to Part 15 of the FCC Rules and is subject to the following conditions: This appliance does not cause harmful interference. The appliances may be interconnected as desired.

FCC Radiation Exposure Statement

▶ This appliance complies with FCC RF radiation exposure limits set forth for an uncontrolled environment. These appliances should be installed and operated with a minimum distance of 8" (20 cm) between the radiator and body.

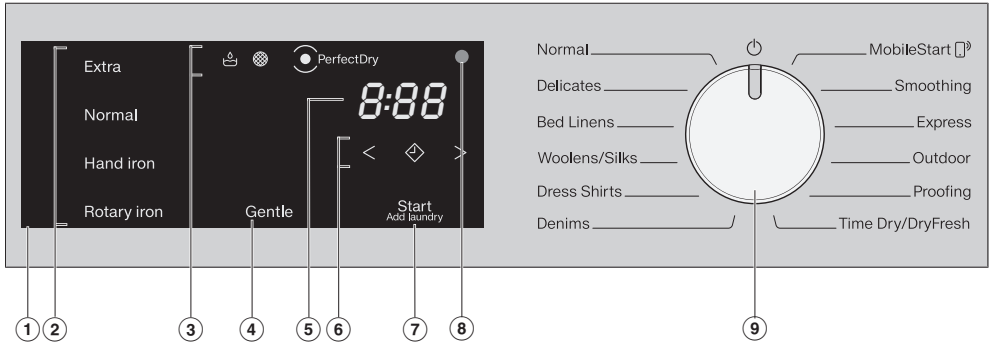
Industry Canada Statement







▶ This digital device does not exceed the Class B limits for radio noise emissions from digital devices specified in the radio regulations of the Canadian Radio-television and Telecommunications Commission. This appliance complies with the Class B specification of the Canadian ICES-003.

KEEP THESE OPERATING INSTRUCTIONS IN A SAFE PLACE

Operating the tumble dryer


Control panel



- ① **Control panel**
- ② **Sensor buttons for the drying levels**
- ③ **Indicator lights**   
light up when necessary
- ④ **Gentle sensor button**
for gentle drying
- ⑤ **Time display**
for the program duration
- ⑥ **Sensor buttons**   
for the time selection
- ⑦ **Start/Add laundry sensor button**
for program start and adding laundry
- ⑧ **Optical interface**
for service technicians
- ⑨ **Program selector**

Operating the tumble dryer

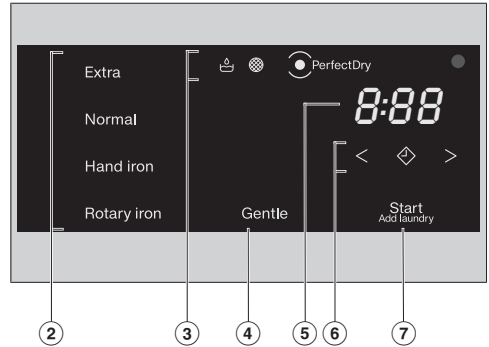
How the program selector works

The program selector is used to select programs. The tumble dryer is switched on when you select a program, and switched off by turning the program selector to the  position.

MobileStart

You can operate your tumble dryer remotely with the Miele@mobile app.

How the control panel works



The ②, ④, ⑥, and ⑦ sensor buttons react to fingertip contact. Selection is possible as long as the respective sensor button is lit.

If a sensor button is brightly lit, this means it is currently selected.




If a sensor button is dimly lit, this means it can be selected.

② Sensor buttons for the drying levels

After selecting a drying level program with the program selector, the recommended drying level lights up. The drying levels that can be selected in this program are dimly lit.

Operating the tumble dryer


③ Indicator lights

-  lights up when the condensed water container needs to be emptied.
-  lights up when the plinth filter needs to be cleaned.
-  *PerfectDry*
The *PerfectDry* system measures the residual moisture present in the laundry in programs with selectable drying levels and provides a more precise drying result.

The *PerfectDry*  indicator

- will flash until the program duration has been determined, and then go out
- lights up again when the selected drying level is reached toward the end of the program
- does not light up at all with the programs *Woolens Handcare*, *Time Dry/DryFresh*

④ Gentle sensor button

This should be selected for temperature-sensitive textiles with the  symbol. When the sensor button is touched, *Gentle* will light up brightly.




With some programs, *Gentle* is always active (lights up) or inactive (does not light up).

⑤ Time display

The remaining program duration will be displayed in hours and minutes.

With most programs, the duration displayed may vary or “jump”. The following factors, among others, affect the program duration displayed: the quantity of laundry, the type of fabric, and the residual moisture in the laundry. The electronic adapts to these factors and then adjusts the program duration with increasing accuracy.

⑥ Sensor buttons < >

- 
After touching the  sensor button, a later start time for the program (delay start) can be selected. Once selected,  lights up brightly.
- < >
The < or > sensor buttons are used for selecting the duration of the delay start period or the duration of the *Time Dry/DryFresh* program.

⑦ Start/Add laundry sensor button

Touching the *Start/Add laundry* sensor button starts a program. The current program can be interrupted to add laundry. The program can be started when the sensor button is flashing on and off. The sensor button lights up constantly once the program has started.

This dryer with heat pump technology is designed for energy-saving drying cycles. However, you can save a little more energy with the following measures as the drying time is not extended unnecessarily.

- Make sure your laundry is spun at the maximum spin speed in the washing machine before drying.
The higher the spin speed, the greater the savings that can be made in energy and time during drying, e.g., approx. 20% energy can be saved if spun at 1,600 rpm instead of 1,000 rpm.
- Load according to the optimum amount of laundry recommended for the drying program being used. This will mean that the energy consumption for the amount of laundry is at its most economical.
- Make sure that the room temperature is not too high. If there are other heat-producing appliances in the room in which the dryer is located, make sure the room is well ventilated and switch the other appliances off.
- Clean the lint filters in the door opening after every drying cycle.

Functioning of the heat-pump dryer

Two separate circuits ensure that the laundry is dried:

Dry air circuit

The drying air flows through a heat exchanger, the drum and several filters. This is ensured by a blower in the dryer.

- The drying air flows through the heat exchanger in the longitudinal direction and is heated in the rear area.
- The drying air is then blown into the drum, where it absorbs the moisture of the laundry.
- The damp drying air is blown back through the heat exchanger via several filters in the fill area and the plinth area of the dryer.
- The drying air cools down in the front, cool area of the heat exchanger and loses its moisture.
- The circuit begins afresh.

Refrigerant circuit

The refrigerant circuit regulates the heating and cooling of the drying air through the heat exchanger. The heat pump is the central component: This is a compressor that is connected to a pipeline system which is filled with refrigerant.

- The pipeline system surrounds the heat exchanger in several bends.
- The compressor draws in the gaseous refrigerant and compresses it, causing the temperature to rise.
- The hot refrigerant is passed through the pipeline system to the rear of the heat exchanger. The heat is released into the drying air, which flows through the heat exchanger.
- The refrigerant liquifies by dissipating the heat.
- The liquid refrigerant then flows through a capillary tube (a very thin tube) to the front area of the heat exchanger. This changes the pressure of the refrigerant.
- The refrigerant cools and reverts to its gaseous state. This in turn cools the front area of the heat exchanger and dehumidifies the drying air.
- The circuit begins anew.

Miele@home

Your tumble dryer is equipped with an integrated WiFi module.

To use this feature, you will need:

- a WiFi network
- the Miele@mobile app
- a Miele user account You can create a user account via the Miele@mobile app.

The Miele@mobile app will guide you as you connect your tumble dryer to your home WiFi network.

Once your dryer is connected to your WiFi network, you can use the app to carry out various activities, such as:

- controlling your tumble dryer remotely
- calling up information on the operating status of your tumble dryer
- calling up information on the program sequence of your tumble dryer

Connecting your tumble dryer to your WiFi network will increase energy consumption, even when the tumble dryer is switched off.

Before installing the dryer in its final location, ensure the signal strength is sufficient for your WiFi network.

Availability of the WiFi connection

The WiFi connection shares a frequency range with other appliances (including microwave ovens and remote control toys). This may result in sporadic or even complete connection failures. Therefore, the availability of featured functions cannot always be guaranteed.

Miele@home availability

The ability to use the Miele app depends on the availability of the Miele@home service in your country.

The Miele@home service is not available in every country.

For information about availability, please visit www.miele.ca.


Miele app

The Miele App is available to download free of charge from the Apple App Store® or from the Google Play™ store.



Initial commissioning

Downtime after installation

 Damage caused by switching the appliance on too soon. This can damage the heat pump. After setting up the tumble dryer, wait for at least one hour before starting a drying program.

Removing the protective foil and stickers

- Remove:
 - any protective film from the door
 - any stickers from the front and the lid

Please do not remove any labels (e.g. the data plate) which are visible when you open the door.

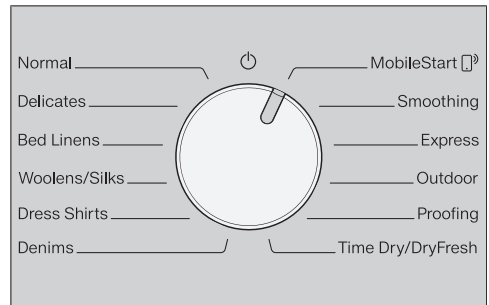
Setting up Miele@home

There are 2 ways of connecting:

1. via the Miele@mobile app (default)
2. via WPS
To do so, you will need a WPS-compatible router.

Logging in via the Miele@mobile app

The Miele@mobile app can be used to connect to your network.





- Turn the program selector to *MobileStart* .

RPP appears on the time display and the timeout starts to count down from 10 minutes. The Miele@mobile app will guide you through the remaining steps.

When you have successfully connected, *Con* will appear on the time display.

Logging in via WPS

- Turn the program selector to *MobileStart* .
- Touch the  sensor button until *WPS* appears on the time display and a short keypad tone sounds.

The timeout then starts to count down from 2 minutes on the time display.

- Activate the WPS function on your router within 2 minutes.

When you have successfully connected, *Done* will appear on the time display.

Useful tip: If the connection has not been set up when the timeout has finished counting down, repeat the process.

Carrying out the procedure for initial commissioning outlined in these instructions


- Read “1. Notes on correct laundry care” and “2. Loading the tumble dryer”.
- You can then load the tumble dryer and select a program as described in “3. Selecting a program and starting it”.

1. Notes on correct laundry care

Points to note regarding washed laundry


- When washing very heavily soiled items, ensure that you use sufficient detergent and select a high temperature. If in doubt, wash the items several times.
- Do not load the drum with items that are still soaking wet. Make sure your laundry is spun at the maximum spin speed before drying. The higher the spin speed, the greater the savings that can be made in energy and time during drying.
- New dark-coloured garments should be washed and dried separately from light-coloured garments. There is the risk of colours running and discolouring other garments or even plastic components in the dryer. Dark coloured fibres can also settle on light coloured garments and vice versa.
- Starched laundry can be tumble dried. To achieve the usual finish, double the amount of starch should be used.

Preparing the laundry before drying

 Damage due to foreign objects which were not removed from the laundry.

Foreign objects can melt, burn, or explode.

Ensure that any foreign objects (e.g., detergent dispensing balls, lighters, etc.) have been removed from the laundry.

 Risk of fire due to incorrect use and operation.

The laundry can burn and destroy the tumble dryer and the surroundings.

See “WARNING AND SAFETY INSTRUCTIONS” for further information.

- Sort the laundry according to the type of fibre and weave, size, garment care label symbol, and the drying level required.
- Check seams and stitching to ensure that padding and linings are intact. This way you will avoid the danger of fillings coming out. These could catch fire when being dried.
- Untangle the laundry.
- Tie together textile belts and apron ties.
- Fasten duvet covers and pillow cases to prevent small items from becoming rolled up inside them.
- Fasten hooks and eyes.
- Leave jackets open and undo any long zippers so that textiles dry evenly.
- Sew in or remove underwiring from bras.
- If necessary, reduce the size of the load for these types of fabric. Wrinkle-free fabric tends to crease more, the larger the load. This is particularly the case for garments made from very fine weave fabric, such as dress shirts or blouses.




1. Notes on correct laundry care





Drying

Useful tip: See the “Program chart”. This describes the programs and gives their maximum load.

- Always observe the maximum recommended load for each program. This will mean that the energy consumption for the amount of laundry is at its most economical.
- Down-filled garments have linings which have a tendency to shrink, depending on the quality of the item. Only use the *Woolens Handcare* program for these items.
- You should only tumble dry pure linen if it is specified as suitable by the manufacturer on the care label, as the surface of the fabric may otherwise become rough. Only use the *Woolens Handcare* program for these items.
- Woolens and wool blends tend to become matted and shrink if tumble dried. Only use the *Woolens Handcare* program for these items.
- Jersey fabrics (e.g., T-shirts, underwear) tend to shrink when they are washed for the first time. Therefore, do not over-dry the fabrics to prevent them from shrinking further. Buy jersey fabrics that are one or two sizes bigger.
- Select the *Gentle* extra option for fabric which is particularly heat-sensitive or susceptible to creasing.

Understanding the care-label symbols

Drying	
	Normal / higher temperature
	Low temperature* *Select <i>Gentle</i>
	Do not tumble dry

Ironing	
	Very hot
	Hot
	Warm
	Do not iron

Selecting the correct drying level

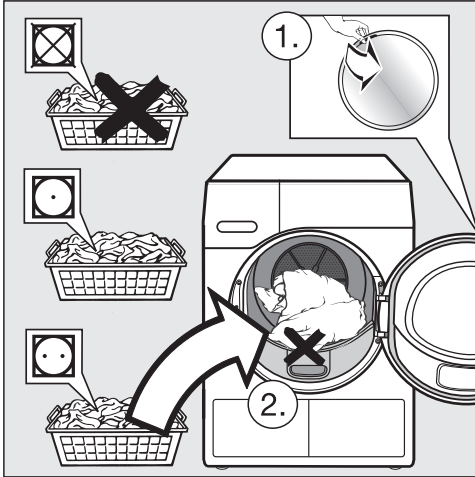
- *Extra* for multi-layered and very thick fabrics.
- *Normal* for textiles that can shrink. Or for light cotton or jersey textiles.
- *Hand iron* or *Rotary iron* if you want to iron the laundry after drying.

Useful tip: You can alter the drying levels for the *Normal* and *Wrinkle-free* programs (damper or dryer). See “Programmable functions” for this.

2. Loading the tumble dryer

Loading the laundry

Textiles may be damaged.
Before loading, read “1. Notes on correct laundry care”.



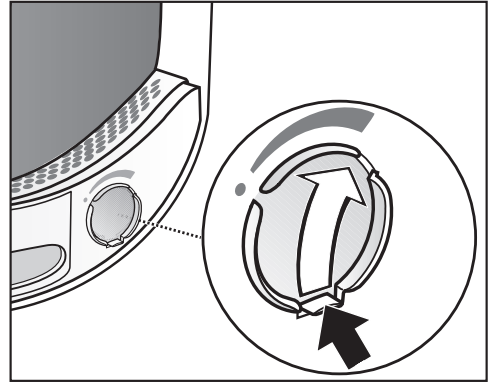
- Unfold the laundry and load loosely into the drum.

Do not overload the drum.
Overloading can cause unnecessary wear and tear to the laundry, give a disappointing drying result, and cause more creasing.

This can result in damage to the laundry.
When closing the door, make sure that laundry does not get trapped in the door opening.

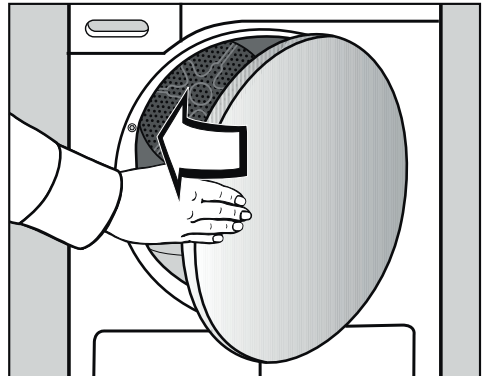
Socket for the fragrance flacon

The “Fragrance flacon” chapter describes how to use the fragrance flacon.



If you are not using a fragrance flacon:
Push the tab down completely (see arrow) so that the socket is closed.
Otherwise, lint will accumulate here.


Closing the door

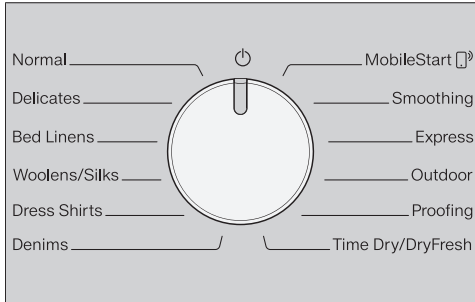


- Shut the door with a gentle swing.

3. Selecting a program and starting it

Switching on the tumble dryer

The tumble dryer is switched on when you select a program, and switched off by turning the program selector to the  position.



- Turn the program selector to a program.

Selecting a program

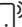
There are 2 possible ways to select a program:

1. Selecting drying programs using the program selector

- Turn the program selector to the required program.

A drying level may also light up and durations will appear in the time display.

2. Selecting drying programs via the MobileStart program selector position

- Turn the program selector to *MobileStart* .

 will light up on the time display.

- Touch the *Start/Add laundry* sensor button.

Once the program has started, the tumble dryer can be operated with the Miele app.

3. Selecting a program and starting it

Selecting the drying level for programs with a selectable drying level

Normal, Delicates, Bed Linens, Dress Shirts, Denims, Smoothing, Express, Outdoor

The pre-set drying level can be changed if required.

Extra

Normal

Hand iron

Rotary iron

- Touch the sensor button for the drying level you want. It then lights up brightly.

Any drying level can be selected for the *Normal, Express, and Bed Linens* programs. A more limited range is available when using the other programs.

Time-controlled and other programs

Time Dry/DryFresh

You can set the duration in ten-minute increments from *0:20* minutes to *2:00* hours.




- Touch the < or > sensor button repeatedly until the required program duration appears on the time display.

Woolens/Silks, Proofing

The drying result is preset by the dryer and cannot be altered.

3. Selecting a program and starting it

Selecting Gentle

Delicate fabrics (with the  symbol on the care label, e.g., acrylic garments) are dried at a lower temperature and the program duration is longer.

- Touch the *Gentle* sensor button. It then lights up brightly.
- *Gentle* can be selected with the following programs:
 - *Normal*
 - *Dress Shirts*
 - *Denims*
 - *Time Dry/DryFresh*
- *Gentle* is always activated / cannot be deselected with *Delicates*, *Smoothing*.

Starting a program


- Touch the flashing *Start/Add laundry* sensor button.

The *Start/Add laundry* sensor button lights up.

Program sequence

- If delay start has been selected, the delay start time will start to count down first.
- The program starts.
- The *Perfect Dry* indicator will only flash/light up with programs with selectable drying levels (see also “Operating the tumble dryer”).
- This dryer measures residual moisture content in the laundry to ensure perfect drying results. However, if you load the dryer with little or dry laundry, it will be dried/

aired for a set duration. In this case, *Perfect Dry* does not light up at the end of the program.

 Avoid over-drying laundry and garments.
Otherwise they can wear out!

- Before the program finishes, the laundry is cooled.

Energy savings

After 10 minutes, the indicators dim. The *Start/Add laundry* sensor button flashes slowly.

- Touch the *Start/Add laundry* sensor button to switch the indicators on again (this does not have any effect on a running program).

Adding laundry

You can add laundry after the program has started.

- Follow the description in “Changing the program sequence – Adding or removing laundry”.

4. Removing the laundry at the end of the program

End of program / Anti-crease

End of program: *0:00* lights up in the time display and the *Start/Add laundry* sensor button goes out. A buzzer sounds.

The end of the program is followed by the Anti-crease phase, which will run for up to 2 hours. The *Woolens handcare* program does not support the Anti-crease function.

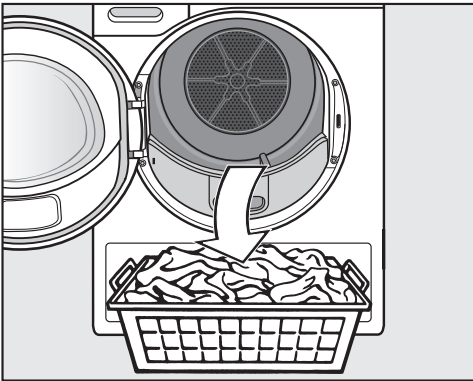
See “Programmable functions”, “*PI4* Anti-crease”.

The tumble dryer switches off automatically.

Removing the laundry

Only open the door when the drying process has finished. Otherwise, the laundry will not be properly dried through and cooled down.


- Pull the door open at the side with the orange marker.



- Remove the laundry.

Items left in the dryer could be damaged by overdrying when the dryer is used the next time.

Always remove all items from the drum.

- Turn the program selector to the  position.
- Remove the lint from the 2 lint filters in the door opening: see “Cleaning and care”, “Cleaning lint filters”.
- Shut the door gently.
- Empty the condensed water container.

Drum lighting

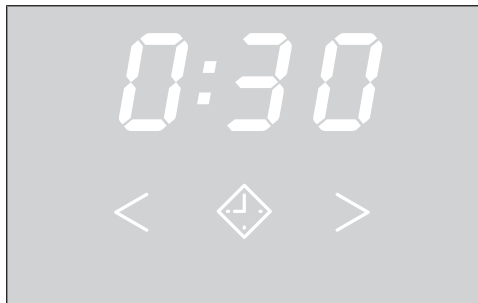
The inside of the drum lights up so that you don't forget any items of laundry when you empty it.



The drum lighting will go out automatically to save energy.

Selecting the delay start function

You can delay the start of a program from 0:30 minutes up to 24h hours.

However: Delay start cannot be used with the *Time Dry/DryFresh* program.




- Touch the  sensor button.
-  will light up brightly.
- Touch the > or < sensor button repeatedly until the required delayed start time appears on the time display.

Useful tip: The times will count upwards and downwards automatically if you keep your finger on the > or < sensor button.

Altering the delay start function

If you would like to alter the delay start function after starting a program, the function must be cancelled first.

- Turn the program selector to the  position.

The tumble dryer is switched off and delay start is cancelled.

- Select a program.
- Select a delay start time.

Delay start countdown

- Delay start times of more than 10h will count down in hours and then in minutes until the start of the program.
- The drum will turn briefly every hour until the start of the program to reduce laundry creasing.

Adding laundry during ongoing delay start period

- Follow the description in “Changing the program sequence – Adding or removing laundry”.

Delay start/SmartStart


SmartStart

The SmartStart function lets you define a time period during which your dryer will start automatically. The start takes place via a signal, e.g., from your energy supplier, that indicates that the electricity tariff is particularly economical.


This function is active when the P32 SmartGrid programmable function is activated


The time period can be defined between 30 minutes and 24 hours. During this period, the dryer waits for the signal from the energy supplier. If no signal is sent during the defined period, the dryer starts the drying program.

Setting the timeframe

If the P32 SmartGrid programmable function is activated, the function of the  sensor button changes. The time display no longer shows the delay start period, and instead shows the timeframe in which your tumble dryer can be started automatically.

The procedure for setting this is the same as for setting the time for delay start.


- Touch the  sensor button.
- Set the timeframe you want using the < or > sensor buttons.
- Touch the *Start/Add laundry* sensor button.

A flashing readout appears in the time display for the duration: ... .


The timeframe can be ended by opening the door.

Program chart

All weights marked with * are based on the weight of dry laundry.

Normal		Full load (17.6 lb/8 kg)*
Extra, Normal		
Items	Single and multi-layered cotton items. For example, T-shirts, underwear, baby clothes, workwear, jackets, covers, aprons, overalls, hand towels, bath towels, bathrobes, and flannelette/bed linen.	
Tip	<ul style="list-style-type: none"> - Select <i>Extra</i> for multi-layered and very thick fabrics. - Do not use <i>Extra</i> for jersey fabrics (e.g., T-shirts, underwear, baby clothes) because they can shrink. 	
Hand iron, Rotary iron		
Items	All cotton or linen fabrics requiring further processing. For example, table linen, bed linen, or starched laundry.	
Tip	To prevent laundry from drying out, it should be rolled up until you are ready for ironing.	
<p>** Note: The Normal programme with the Normal drying level is the most energy-efficient for drying cotton items with normal residual moisture levels. Using the Normal programme with the Normal drying level is recommended for a mixed cotton load and is the programme used in energy consumption tests to CAN/CSA-C361-16 Standard and DOE test procedure methods specified at 10 CFR 430, Subpart B, Appendix D2.</p>		
Delicates		Small load (5.7 lb/2.5 kg)*
Normal, Hand iron		
Items	Delicate items with the  symbol on the care label made of synthetic fiber, mixed fiber, rayon, and easy care cotton. For example, dress shirts, blouses, lingerie, and appliquéd garments.	
Tip	The load should be reduced further for a particularly crease-free drying process.	

Program chart

Bed Linens		Full load (8.8 lb/4 kg)*
Extra, Normal, Hand iron, Rotary iron		
Items	Bed linen	
Tip	<ul style="list-style-type: none"> - Select <i>Extra</i> for multi-layered and very thick fabrics. - To prevent laundry from drying out, it should be rolled up until you are ready for ironing. 	
Woolens/Silks		Small load (4.4 lb/2 kg)*
Items	<ul style="list-style-type: none"> - For woollen garments and fabric containing wool blends. For example, pullovers, knitted jackets and pantyhose. - Silk garments which are suitable for tumble drying, e.g. blouses and shirts. 	
Tip	<ul style="list-style-type: none"> - Woollen garments are loosened and fluffed up in a short amount of time. - The program reduces the amount of creases in silk garments that are suitable for tumble drying. - The items are not dried completely in this program. - Please remove the garments as soon as the program has finished. 	
Dress Shirts		Small load (4.4 lb/2 kg)*
Normal, Hand iron		
Items	For all shirts and blouses.	
Denims		Small load (6.6 lb/3 kg)*
Normal, Hand iron		
Items	All the denim garments, e.g., jackets, jeans, shirts, and skirts.	
MobileStart 		
The Miele@mobile app is used to select the programs and operate the appliance.		

Program chart

Smoothing		Small load (2.2 lb/1 kg)*
Normal, Hand iron		
Items	<ul style="list-style-type: none"> - Cotton and linen fabric. - For easy care items made of cotton, mixed, or synthetic fiber. For example, pants, jackets, and shirts. 	
Tip	<ul style="list-style-type: none"> - This program smoothes out creasing caused during the spin cycle in the washing machine. - This program is also suitable for dry fabrics. - Please remove the garments as soon as the program has finished. 	
Express		Half load (8.8 lb/4 kg)*
Extra, Normal, Hand iron, Rotary iron		
Items	Suitable for resistant garments for the <i>Normal</i> program.	
Note	The program duration is shortened.	
Outdoor		Small load (5.5 lb/2.5 kg)*
Normal, Hand iron		
Items	Outdoor clothing which is suitable for drying in a tumble dryer.	
Proofing		Small load (5.5 lb/2.5 kg)*
Items	For drying microfibre fabrics, skiwear, outerwear, fine, closeweave cotton garments (poplin) and table linen which are suitable for drying in a tumble dryer.	
Note	<ul style="list-style-type: none"> - Items are dried to a <i>Normal</i> level only. - This program includes a proofing fixing phase. - Only use proofing agents which are stated by the manufacturer as being “suitable for use on membrane textiles”. These agents contain fluorochemical compounds. - Risk of fire! Do not dry items which have been treated with proofing agents containing paraffin. 	

Program chart


Time Dry/DryFresh		Full load (17.6 lb / 8 kg)*
Note	<ul style="list-style-type: none"> - For airing or drying textiles (<i>Time Dry</i>) - For freshening up textiles (<i>DryFresh</i>)¹ - Do not select the longest drying time to start with. Check the items as you are drying them to find the optimum time. 	
Items	<ul style="list-style-type: none"> - Airing: multi-layered textiles whose layers have different drying characteristics, e.g., jackets, pillows, sleeping bags, and other voluminous items - Drying: individual items, e.g., bath towels, bathing costumes, dish cloths and towels - Freshening up: clean textiles¹ 	
¹ Tip	<p>You can reduce or eliminate unwanted odours in clean, dry textiles. To do this, use <i>Time Dry/DryFresh</i> in conjunction with the DryFresh fragrance capsule (optional accessory²). Select a time of at least 60 minutes in order to freshen up the textiles effectively.</p> <p>² Insert fragrance capsule and set the intensity: see “Fragrance capsule”</p>	

Changing a program once it has started

It is no longer possible to change the selected program. This prevents the appliance being operated unintentionally.

If you adjust the program selector, the *-D-* symbol will light up in the display. The *-D-* symbol goes out when you select the original program.

Cancelling the current program

- Turn the program selector to the  position.

The program is cancelled.

You can now select a new program.

Adding or removing laundry

You have forgotten an item of laundry, but the program has already started.

- Touch the *Start/Add laundry* sensor button.

The word *Add* will appear in the time display. The *Start/Add laundry* sensor button flashes slowly.

- Open the door.
- Add or remove laundry items.

You can still change the program selection.

- Close the door.
- Touch the *Start/Add laundry* sensor button.

The program continues.

Exceptions when adding laundry

In some cases – for example, during the cooling phase or the *Proofing* program – it is not possible to add laundry items.

In these cases, the word *Add* is not displayed.


In exceptional cases, the door can be opened while the program is running.


Condensed water container

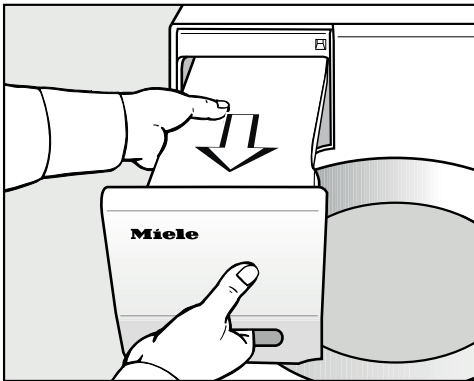
Emptying the condensed water container

The condensed water is collected in the condensed water container.

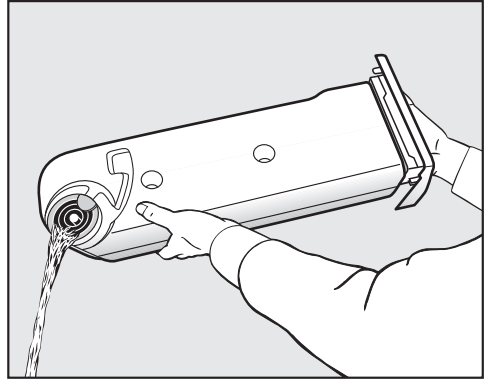
Empty the condensed water container after every drying program.

The  indicator light will light up if the maximum level of the condensed water container is reached.

To turn the  indicator light off: Open and close the door while the dryer is switched on.



- Remove the condensed water container.
- To prevent water running out, keep it in a horizontal position when carrying it. Hold the condensed water container by the front panel and at the back.



- Empty the condensed water container.
- Replace the condensed water container in the dryer.

It can cause health problems in people and animals.
Do not drink condensed water.

You can use the condensed water in the household (e.g., for steam irons or humidifiers). For this, however, you should pour the condensed water through a fine sieve or a coffee filter. This filters the finest pieces of lint, which could possibly cause damage, out of the water.

FragranceDos

Fragrance capsules (optional accessories) can be used to give your laundry a pleasant scent.

Useful tip: You can simply close the fragrance capsule if you want to dry textiles without adding fragrance.

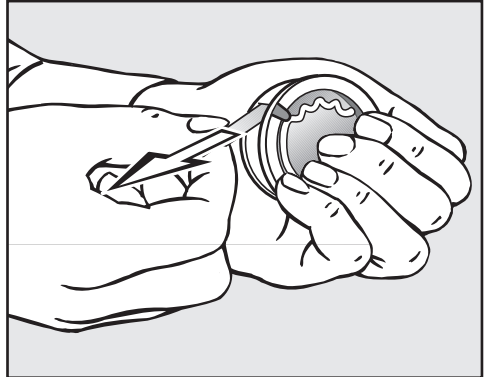
⚠ Risk of fire and harm to health if fragrance capsules are used incorrectly.

Leaked fragrance can be harmful to your health if it comes into contact with your body. Leaked fragrance can cause fire.

Before using a fragrance capsule, please read “WARNING AND SAFETY INSTRUCTIONS – Using a fragrance capsule (optional accessory)”.

Removing the protective seal from the fragrance flacon

Only hold the fragrance flacon as illustrated. Do not hold it at an angle or tip it as the fragrance will leak out of the pod.



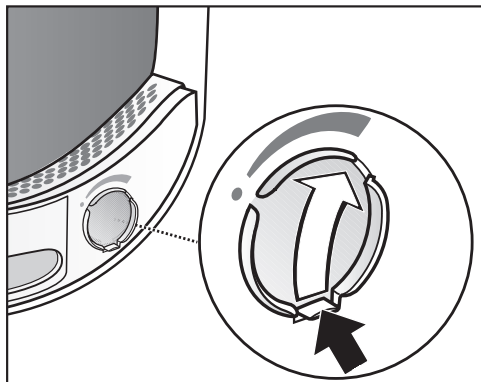
- Hold the pod securely so that you do not open it by mistake.
- Pull off the protective seal.

Fragrance capsule

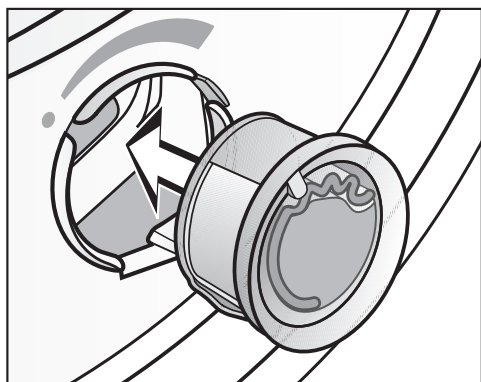
Inserting the fragrance flacon

- Open the door of the tumble dryer.

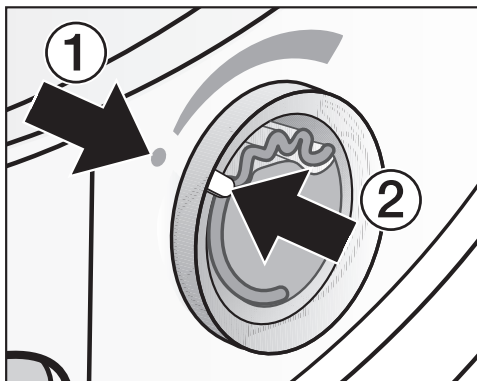
The fragrance flacon is inserted in the upper lint filter next to the recessed grip.



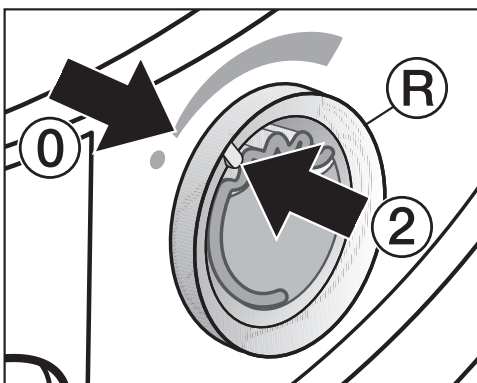
- Open the cover using the tab until the tab is right at the top as shown.



- Insert the fragrance flacon into the socket as far as it will go.



Markers ① and ② must line up with one another.

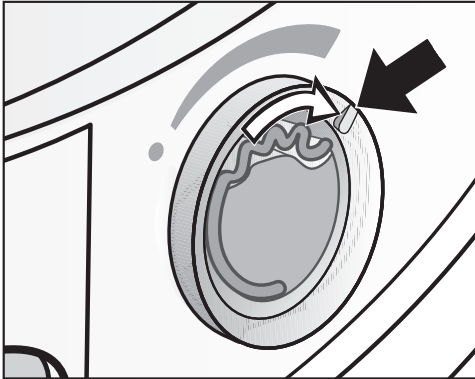


- Turn the outer ring **R** clockwise a little.

The fragrance flacon can slip out. Turn the outer ring in such a way that markers ② and ① line up.

Opening the fragrance flacon

Before drying, you can select the intensity of the fragrance.

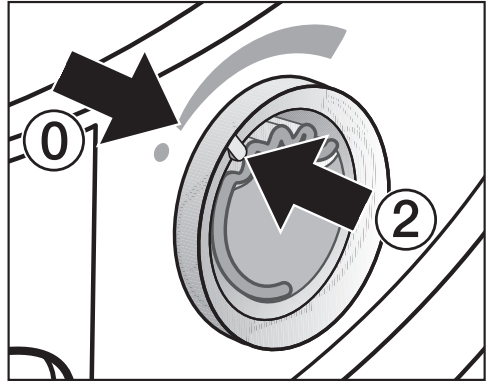


- Turn the outer ring clockwise: The further you open the fragrance flacon, the more intense the fragrance.

Damp laundry and longer drying durations with sufficient heat transfer are needed for the fragrance to be released into the laundry effectively. The fragrance will also be noticeable in the room air during the process.

Closing the fragrance flacon

After drying, the fragrance flacon should be closed to prevent the fragrance from escaping needlessly.

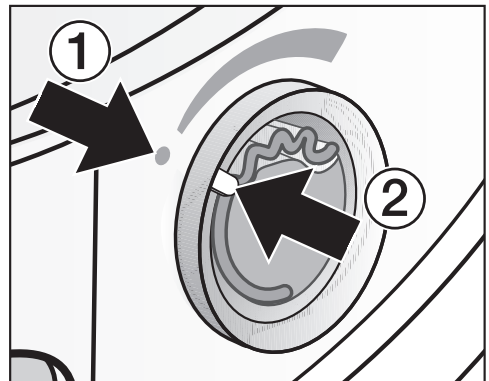


- Turn the outer ring counter-clockwise until marker ② is in position ①.

If you wish to dry without the fragrance occasionally: Remove the fragrance flacon and store it in its original packaging.

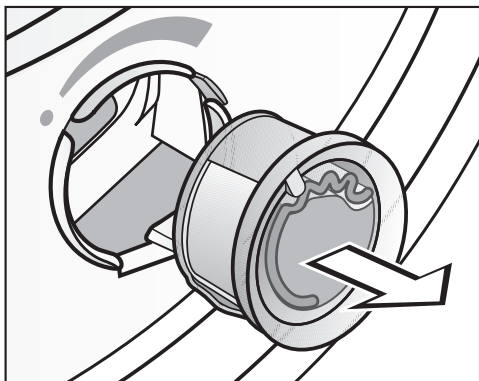
Replace the fragrance flacon with a new one when the intensity of the fragrance is no longer sufficient.

Removing/replacing the fragrance flacon



- Turn the outer ring counter-clockwise until markers ① and ② line up.

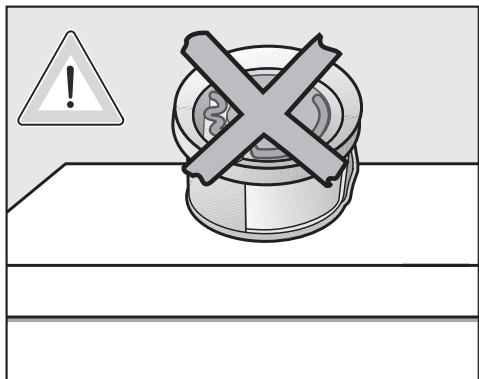
Fragrance capsule



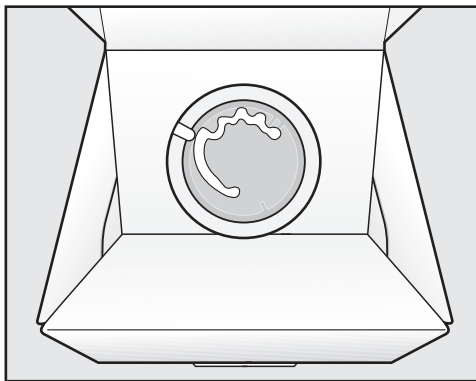
- Replace the fragrance flacon with a new one.

When not in use, you can store the fragrance flacon in its original packaging.

Fragrance flacons are available to order from Miele retailers or online.



The fragrance can leak out of the pod.
Do not lay the fragrance flacon down.




- If you are keeping the fragrance flacon in its original packaging, do not store the packaging upright on its edge or upside down. Otherwise, the fragrance will leak out.
- Always store in a cool, dry place away from direct sunlight.
- When purchasing new fragrance flacons, only remove the protective seal just before use.

Cleaning the lint filters

This tumble dryer has 2 lint filters in the door opening: The upper and lower lint filters trap lint produced during the drying process.

Clean the lint filters after each drying program. This prevents an extension of the program duration.

Also clean the lint filters when the  indicator light comes on.

To turn the  indicator light off:

- Open and close the door while the dryer is switched on.

Removing the fragrance flacon

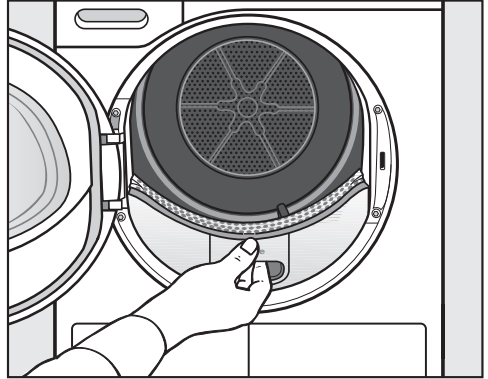
The intensity of the fragrance will be reduced if the lint filters and plinth filter are not cleaned.

- Remove the fragrance flacon. See “Fragrance flacon”, “Removing/replacing the fragrance flacon”.

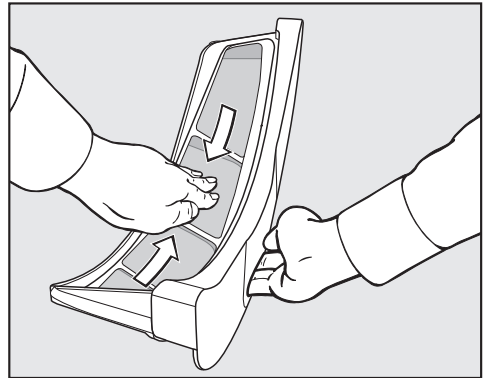
Removing visible lint

Useful tip: You can also use a vacuum cleaner so that you can remove the lint without touching it.

- Open the door.



- Pull the upper lint filter forward to remove it.



- Remove the lint (see arrows).

Cleaning and care

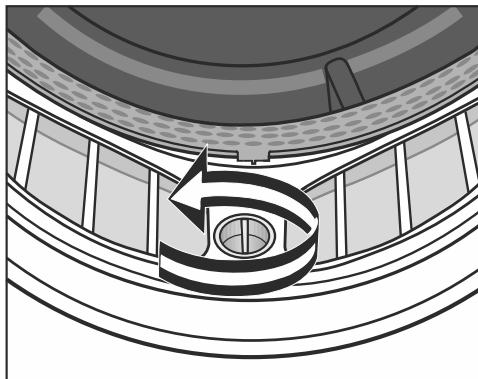


- Remove the lint (see arrows) from the filter surface of all the lint filters and the perforated laundry deflector.
- Push the upper lint filter back into position until it clicks.
- Close the door.

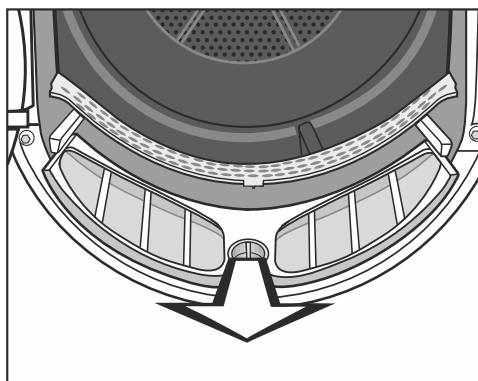
Cleaning the lint filters and air flow openings thoroughly

If the drying duration has become longer or the surface of the filters is visibly compacted with lint, you should carry out the following cleaning procedure.

- Remove the fragrance capsule. See “Fragrance capsule”.
- Pull the upper lint filter forward to remove it.



- Turn the yellow knob on the lower lint filter in the direction of the arrow (until you hear it click).



- Hold the knob and pull the lint filter forward to remove it.



- Use a vacuum cleaner with a long crevice nozzle attached to remove any visible lint from the upper air flow openings.

Finally, clean the lint filters with water.

Cleaning the lint filters with water

- Wipe the smooth plastic surfaces of the lint filters with a damp cloth to clean them.
- Rinse the lint filters through with warm running water.
- Shake the lint filters thoroughly and then dry them carefully.

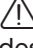
Ensure the filters are dry before replacing them. Wet filters could cause operational faults.

- Push the lower lint filter in completely and lock it with the yellow knob.
- Push the upper lint filter in completely.
- Close the door.

Cleaning and care


Cleaning instructions when using fabric softener sheets

If you are using fabric softener sheets, please follow these warnings and instructions.

 First, clean the filters as described in “Cleaning the lint filters with water”.

If the surfaces of the lint filters are still strongly compacted with lint, then follow these measures.

Please note the plastic and surfaces of the lint filters can be damaged by the cleaning process described below!

 If the surfaces of the lint filters are not cleaned, this can extend the drying time and increase the energy consumption.

Try the following 3 cleaning instructions to determine the one that achieves the best results.

Option 1

- Wipe the surfaces of the lint filters several times with a cleaning cloth with an alcohol base until you have removed the impurities/obstructions.

 Risk of fire!


Then rinse the filter surfaces thoroughly with warm water to remove all residues.

Option 2

- Clean the lint filters in the dishwasher without any other dishes. Use a high-temperature program (at least 70 °C).


Option 3

- Wet the surfaces of the lint filters with a liquid colour detergent (e.g. Miele Ultra Colour Liquid Laundry Detergent).
- Leave it on for approx. 2 hours.

 Risk of fire!

Then rinse the filter surfaces thoroughly with warm water to remove all residues.

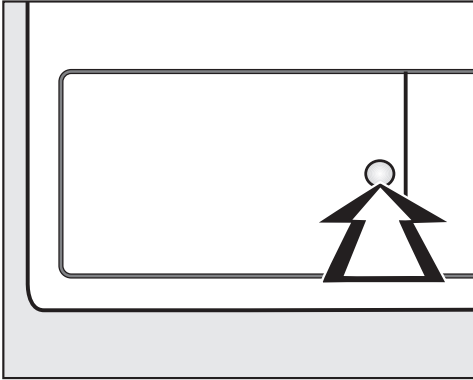
Cleaning the plinth filter

Clean the plinth filter whenever the  indicator light comes on or when the program duration is longer than usual.

To turn the  indicator light off:

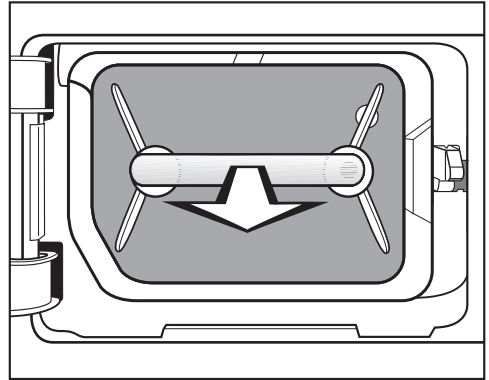
- Open and close the door while the dryer is switched on.

Removing the plinth filter



- Press the round, indented area on the heat exchanger access panel to open it.

The flap will spring open.

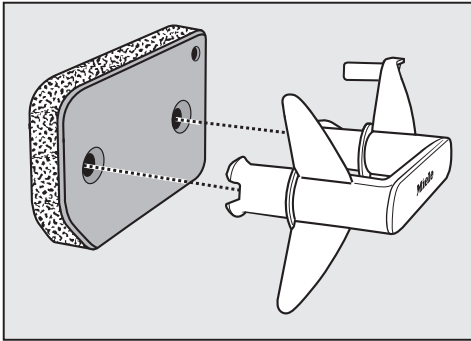


- Pull the plinth filter out by the handle.

The right-hand guide pin comes out when the plinth filter is removed. The guide pin prevents the flap from closing without the plinth filter.

Cleaning and care

Cleaning the plinth filter

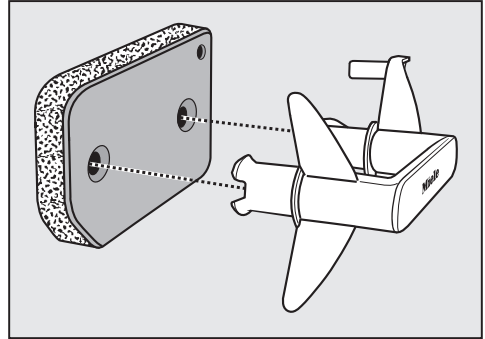


- Pull the handle out of the plinth filter.
- Clean the plinth filter thoroughly under running water.
- Squeeze the plinth filter very carefully several times as you rinse it.
- Rinse the plinth filter until all visible residues have been removed.
- Use a damp cloth to remove any lint from the handle.

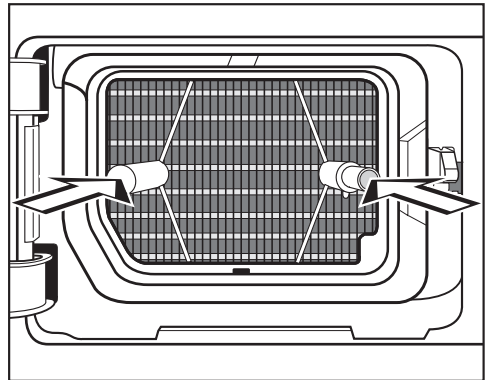
 **Damage caused by a damaged or worn plinth filter.**

The heat exchanger will clog up if the plinth filter is not in good working order. This can cause a fault.

Check the plinth filter following the instructions provided in “Frequently Asked Questions – Replacing the plinth filter”. Replace the plinth filter if necessary.



- Fit the plinth filter back on the handle. Make sure it is the correct way round.



- Push the plinth filter in completely. This will push in the right-hand guide pin at the same time.

Cleaning the plinth filter flap



- Use a damp cloth to remove any lint. Make sure that you do not damage the rubber seal when doing this.
- Close the heat exchanger flap.

⚠ Damage or ineffective drying if drying takes place without a plinth filter or when the heat exchanger flap is open.

An excessive accumulation of lint can damage the tumble dryer. If the system is not leak-tight, this can make the drying ineffective.

Only operate the tumble dryer with the plinth filter installed and the heat exchanger flap closed.

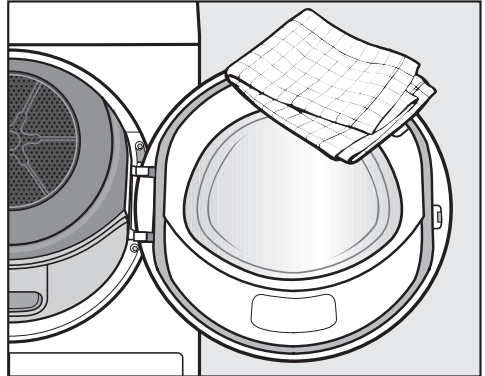
Cleaning the tumble dryer

Disconnect the tumble dryer from the electrical supply.

⚠ Damage due to the use of unsuitable care products.

Unsuitable care products could damage plastic surfaces and other parts.

Do not use any solvents, abrasive cleaners, glass cleaners, or all-purpose cleaners.






- Clean the tumble dryer and the seal on the inside of the door with a slightly damp soft cloth, a mild solution of dish detergent, and water.
- Dry all the parts with a soft cloth.

Frequently Asked Questions



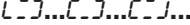


With the help of the following guide, minor faults in the performance of the machine, some of which may result from incorrect operation, can be remedied without contacting the Service Department. This will save you time and money because you won't need a service call.

This guide may help you find the reason for the fault and help you correct it.

Indicator lights or information on the time display

Problem	Possible cause and solution
<p>The  indicator light comes on at the end of the program.</p>	<p>The tumble dryer is not working correctly or economically. Possible causes could be clogging caused by lint or detergent residue.</p> <ul style="list-style-type: none"> ■ Please see “Cleaning and care” for notes on cleaning. ■ Clean the lint filters. ■ Also check the plinth filter and clean it if necessary. ■ To turn the  indicator light off: open and close the door (while the dryer is switched on). <p>You can influence when the  indicator lights up.</p> <ul style="list-style-type: none"> ■ To do this, follow the instructions in “Programmable functions – P20 Airways indicator”.
<p><i>F</i> and <i>000</i> flash after a program has been cancelled, a signal sounds.</p>	<p>The system has been clogged by lint or detergent residue.</p> <ul style="list-style-type: none"> ■ Switch off <i>F 000</i>: switch the tumble dryer off and then on again. ■ Clean the lint filters and the plinth filter. <p>Please see “Cleaning and care” for notes on cleaning.</p> <ul style="list-style-type: none"> ■ Check that the lint filters and the plinth filter are not damaged or worn. <p>If all lint filters are damaged, deformed, or cannot be cleaned anymore, they must be replaced. For information on when to replace a plinth filter that is not functioning properly, refer to “Frequently Asked Questions – Replacing the plinth filter”.</p>

Frequently Asked Questions

Problem	Possible cause and solution
<p>F and 055 continue to flash after a program has been cancelled, despite thorough cleaning.</p>	<p>The plinth filter looks clean after thorough cleaning. However, the program terminates and the fault message appears again. It is likely that there is still underlying residue that could not be removed.</p> <ul style="list-style-type: none"> ■ Switch off <i>F 055</i>: switch the tumble dryer off and then on again. ■ Check for the possible causes described below. <p>The heat exchanger is clogged.</p> <ul style="list-style-type: none"> ■ Check the heat exchanger. Follow the instructions described in “Frequently Asked Questions – Checking the heat exchanger”. <p>The plinth filter is clogged further down.</p> <ul style="list-style-type: none"> ■ Check the plinth filter. Follow the instructions described in “Frequently Asked Questions – Replacing the plinth filter”. ■ If the plinth filter is not deformed or defective, you can reactivate it in the washing machine. Follow the instructions described in “Frequently Asked Questions – Reactivating the plinth filter”.
<p>The  indicator light comes on after a program has been cancelled and a signal sounds.</p>	<p>The condensed water container is full or there is a kink in the drain hose.</p> <ul style="list-style-type: none"> ■ Empty out the condensed water container. ■ Check the drain hose. ■ See “Cleaning and care”. <p>To switch the  indicator light off:</p> <ul style="list-style-type: none"> ■ Open and close the door (with the dryer switched on).
<p>-0- lights up.</p>	<p>The program selector has been moved.</p> <ul style="list-style-type: none"> ■ Select the original program. The time left will appear on the display again.
<p>Bars flash on the display at the end of a program: .........</p>	<p>The program has finished but the laundry has not yet cooled down.</p> <ul style="list-style-type: none"> ■ Either remove the laundry and spread it out to cool down or leave it in the tumble dryer to cool down during the cooling phase.

Frequently Asked Questions

Problem	Possible cause and solution
<p>Lines flash and light up after switching on: _ _ _ . Program selection is not possible.</p>	<p>Access via a PIN code has been activated.</p> <ul style="list-style-type: none"> ■ See “Programmable functions”, “P07 PIN code”.
<p>F and another number combination flash after a program has been cancelled, a signal sounds.</p>	<p>There is no obvious cause.</p> <ul style="list-style-type: none"> ■ Switch the dryer off and then on again. ■ Start a program. <p>If the program is interrupted again and an error message appears, there is a fault. Contact Miele Technical Service.</p>
<p>0:00 lights up and the program has been cancelled, a signal sounds.</p>	<p>The laundry is unevenly distributed or has rolled up.</p> <ul style="list-style-type: none"> ■ Untangle the laundry and remove a few items if necessary. ■ Switch the dryer off and then on again. ■ Start a program.
<p>UP lit and program start is not possible.</p>	<p>An update is available for the tumble dryer. See “Programmable functions – P24 RemoteUpdate” for more information.</p>

Unsatisfactory drying results

Problem	Possible cause and solution
<p>The laundry is not sufficiently dry.</p>	<p>The load consisted of different types of fabric.</p> <ul style="list-style-type: none"> ■ Finish drying using the <i>Time Dry/DryFresh</i> program. ■ Select a more suitable program next time. <p>Useful tip: you can alter the drying levels for some programs. See “Programmable functions”, sections “<i>P01</i> Normal drying levels” and “<i>P02</i> Wrinkle-free drying levels”.</p>
<p>The laundry or feather-filled pillows develop a smell after drying.</p>	<p>The laundry was washed with insufficient detergent. Feathers have the property of developing a significant odour when they are warm.</p> <ul style="list-style-type: none"> ■ Laundry: use sufficient detergent ■ Pillows: take out of the tumble dryer and air them ■ Use a fragrance capsule (available as an optional accessory) for your favourite fragrance.
<p>Items made of synthetic fibres are charged with static electricity after drying.</p>	<p>Synthetic fibres tend to attract static charge.</p> <ul style="list-style-type: none"> ■ Static charge can be reduced by adding a fabric softener to the final rinse in the washing program.
<p>There is a build-up of lint.</p>	<p>Lint is principally the result of friction when garments are being worn and to some extent when they are being washed. Machine drying hardly causes any lint to form.</p> <p>Lint is collected by the lint filters and the plinth filter and can be removed easily.</p> <ul style="list-style-type: none"> ■ See “Cleaning and care”.

Frequently Asked Questions

The drying cycle duration is very long

Problem	Possible cause and solution
The drying process goes on too long or even switches off.*	The room in which the tumble dryer is located is too warm. ■ Ventilate the room thoroughly.
	Detergent residues, hair, and fine lint can clog the filters. ■ Clean the lint filters and the plinth filter. ■ Remove visible lint: <ul style="list-style-type: none">– at the bottom left, behind the panel in the heat exchanger cavity (see “Cleaning and care”)– at the bottom right of the cooling fins behind the grille (see the end of this section)
	The laundry is unevenly distributed or has rolled up. The drum is too full. ■ Untangle the laundry and remove a few items. ■ Start a program.
	The cold air intake (bottom right grille) is blocked. ■ Move any objects such as a laundry basket away from the dryer.
	The laundry is too damp. ■ Spin using a higher spin speed in the washing machine.
	Metallic components, e.g., zippers, have prevented the dryer from registering the correct moisture level. ■ Open the zippers next time. ■ If the problem recurs, dry these items using the <i>Time Dry/DryFresh</i> program.

* Switch the tumble dryer off and on again before starting a new program.

Frequently Asked Questions

Other problems

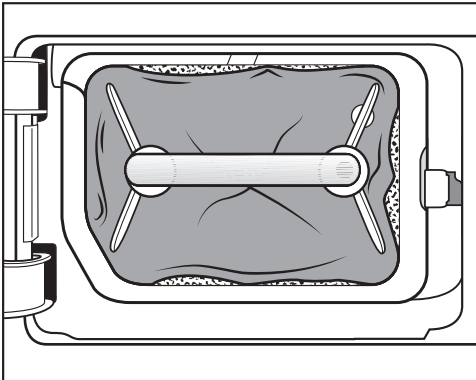
Problem	Possible cause and solution
You can hear operating noises (buzzing/humming).	This is not a fault. The compressor is operating. These noises are quite normal and can be heard when the compressor is operating.
A program does not start.	<p>There is no obvious cause.</p> <ul style="list-style-type: none"> ■ Connect the power plug. ■ Turn on the tumble dryer. ■ Close the door. ■ Check whether the fuse has tripped. <hr/> <p>Power outage? When power is restored, any previously running program will restart automatically.</p>
Only the <i>Start/Add laundry</i> sensor button flashes slowly when the program is running.	<p>Once the program has been running for 10 minutes, the indicators go out. The <i>Start/Add laundry</i> sensor button flashes slowly. This is not a fault, but a normal function to help save energy.</p> <ul style="list-style-type: none"> ■ Touch a sensor button to switch on the indicators. <p>See “Programmable functions – // Control field switch-off status”.</p>
The tumble dryer is switched off at the end of the program.	<p>The dryer switches off automatically to save energy. This is not a fault, but a normal function.</p> <ul style="list-style-type: none"> ■ To switch the dryer on, select a program.
The interior drum lighting does not come on.	<p>The drum lighting switches off automatically ...</p> <ul style="list-style-type: none"> ... when the door is closed. ... after a few minutes when the door is open to save energy. <p>The drum lighting will come on when the door is opened if the dryer is switched on.</p>

Frequently Asked Questions

Replacing the plinth filter

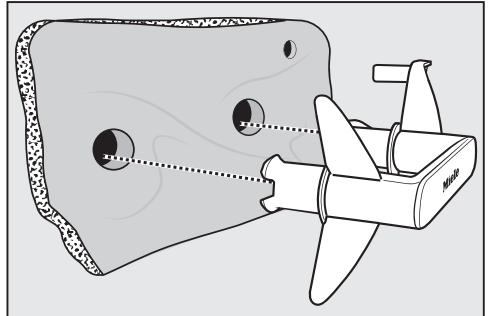
The heat exchanger can clog up. Replace the plinth filter immediately if you see the following signs of wear before or after cleaning (optional accessory).

Poor fit



The edges of the plinth filter do not sit properly and the plinth filter is deformed. Lint will blow into the heat exchanger unfiltered through edges that do not sit properly. This will cause a permanent obstruction in the heat exchanger.

Deformation



Deformations indicate that the plinth filter has become worn.

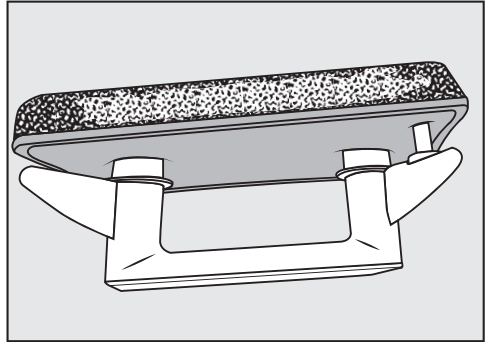
Frequently Asked Questions

Cracks, tears, indentations



Lint will blow into the heat exchanger through cracks and tears. This will cause a permanent obstruction in the heat exchanger.

White residues or residues of other colours



Residues arise from laundry fibres and traces of detergent components. They can be found on the front and side edges of the plinth filter. In extreme cases, they can form stubborn crust. Residues are a sign that the plinth filter no is longer a snug fit at the sides, even if it appears to be perfect: lint is getting in unfiltered at the edges.

Reactivate the plinth filter. If these residues appear on the plinth filter again soon after cleaning, the plinth filter must be replaced.

Frequently Asked Questions

Reactivating the plinth filter

You can reactivate one or more dirty plinth filters in the washing machine. You will then be able to use the plinth filter again.

Prior to reactivation, check that the plinth filter is in good order. Check the plinth filter following the instructions provided in “Frequently Asked Questions – Replacing the plinth filter”. Replace the plinth filter if it has worn out.

- Wash the plinth filter(s) separately, not with any laundry items. Do not add any detergent.
- Select a short wash program with a maximum temperature of 40°C and a maximum spin speed of 600 rpm.

You can re-insert the plinth filter once the wash and spin cycle is complete.

Checking the heat exchanger unit

⚠ Risk of injury from sharp cooling fins.

You could cut yourself.

Do not touch the cooling fins with your hands.

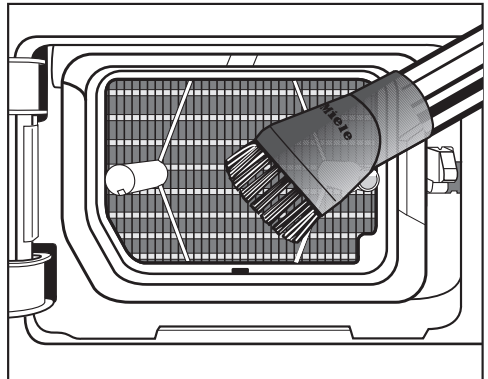
- Look to see if lint has accumulated.

Remove any lint you can see.

⚠ Damage due to incorrect cleaning of the heat exchanger.

The tumble dryer will not dry if the cooling fins are damaged or bent.

Clean using a vacuum cleaner with a dusting brush attached. Only pass the vacuum cleaner dusting brush over the heat exchanger fins lightly, without applying any pressure.



- Vacuum up any lint and residues.

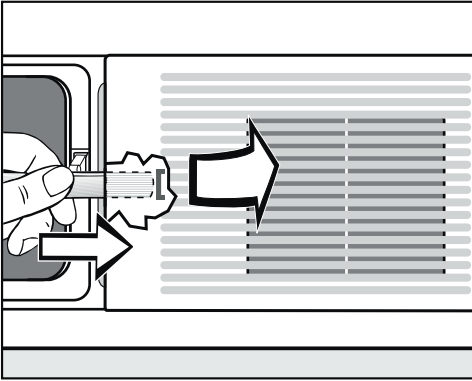
Frequently Asked Questions

Bottom right grille

⚠ In general, the cooling fins behind the grille on the bottom right do not need cleaning. They should only be cleaned if the drying process is taking an exceptionally long time due to a very high level of dust or lint in the room in which the dryer is located!

- First open the flap for the plinth filter (bottom left).

To remove the grille, the catch underneath it needs to be released using a teaspoon.

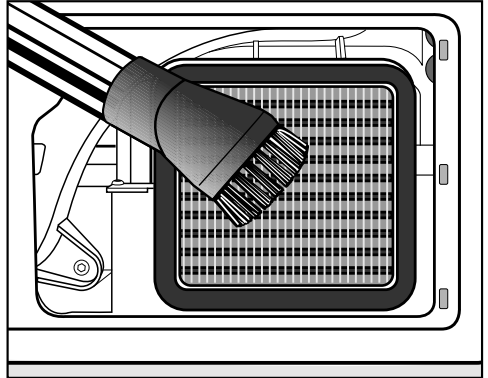


- Insert a spoon handle underneath the grille in the middle.
- Press the spoon handle against the catch and lever the grille open.
- Remove the grille.

⚠ Danger of injury! Do not touch the cooling fins with your hands. You could cut yourself.

⚠ Clean using a vacuum cleaner with a dusting brush attached. Only pass the vacuum cleaner brush over them lightly, without applying any pressure.

Take care not to bend the cooling fins out of shape or to damage them!



- Carefully vacuum up any visible lint or dirt.
- Re-insert the three hooks on the grille into the appropriate holes in the front of the dryer.
- Press the grille firmly back into position by pressing it in at the middle on the left.

Technical Service

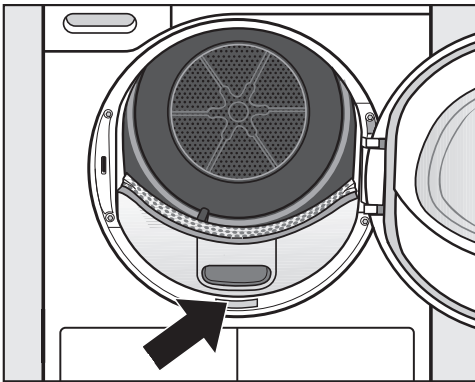
Contact in the event of a fault

In the event of a fault which you cannot remedy yourself, please contact your Miele dealer or Miele Service.

Contact information for Miele Service can be found at the end of this document.

Please quote the model identifier and serial number of your appliance (SN) when contacting Miele Service. This information can be found on the data plate.

Open the door of your tumble dryer to find the data plate:



Warranty

For further information, please refer to your warranty booklet.

Optional accessories

Optional accessories for this tumble dryer are available from Miele Technical Service.

You also can order these and many other useful products from the Miele online shop or Miele Experience Centers.

Dryer basket

The dryer basket enables items which must not be subjected to mechanical action to be dried or aired.

Fragrance capsule

A fragrance capsule can be used in your tumble dryer to add a pleasant fragrance to your laundry.

WARNING AND SAFETY INSTRUCTIONS

WARNING – Fire hazard

- ▶ Follow the installation instructions in order to reduce the risk of serious or fatal injury.
- ▶ The installation of the tumble dryer must be carried out by a qualified specialist.
- ▶ The tumble dryer must be installed in accordance with local regulations.
- ▶ Unauthorized repairs could result in unforeseen dangers for the user, for which Miele cannot accept liability. Repairs should only be carried out by a Miele approved service technician, otherwise any subsequent damage will not be covered by the warranty.
- ▶ In the event of a fault or during cleaning and maintenance, the tumble dryer is only completely disconnected from the electricity supply when the tumble dryer plug has been removed or if the fuse has been disconnected or if the screw-out fuse has been removed. Do not switch on the supply until the task has been completed.

▶ **GROUNDING INSTRUCTIONS**

The electrical safety of this dryer can only be guaranteed when continuity is complete between it and an effective grounding system. It is essential that this standard safety requirement is observed and regularly tested. If in any doubt, please have the electrical installation inspected by a qualified electrician. Miele cannot be held liable for the consequences of an inadequate grounding system. The electrical socket must be easily accessible so that the dryer can be disconnected from the electricity supply.

- ▶ **WARNING** – If the grounding conductor is connected incorrectly, this can result in electric shock. Contact a qualified electrician if you are unsure whether the appliance is properly grounded.
- ▶ Do not change the plug: If it does not fit into the socket, you should have a proper outlet installed by a qualified electrician.

WARNING AND SAFETY INSTRUCTIONS

- ▶ Do not connect the dryer to the domestic electricity supply by a multi-socket adapter, extension cord or similar. These do not guarantee the required safety of the machine (fire hazard due to the risk of overheating).
- ▶ This tumble dryer may only be operated in non-stationary locations (e.g. on ships) if the installation has been carried out by a qualified installer or a service agency in strict accordance with national and local safety requirements and standards.
- ▶ Do not install the tumble dryer in a room where there is a risk of frost occurring. At temperatures around freezing point the tumble dryer may not be able to operate properly.
- ▶ This dryer is not intended for wall-insert.
- ▶ Should you have any questions regarding installation, please get in touch at:

USA

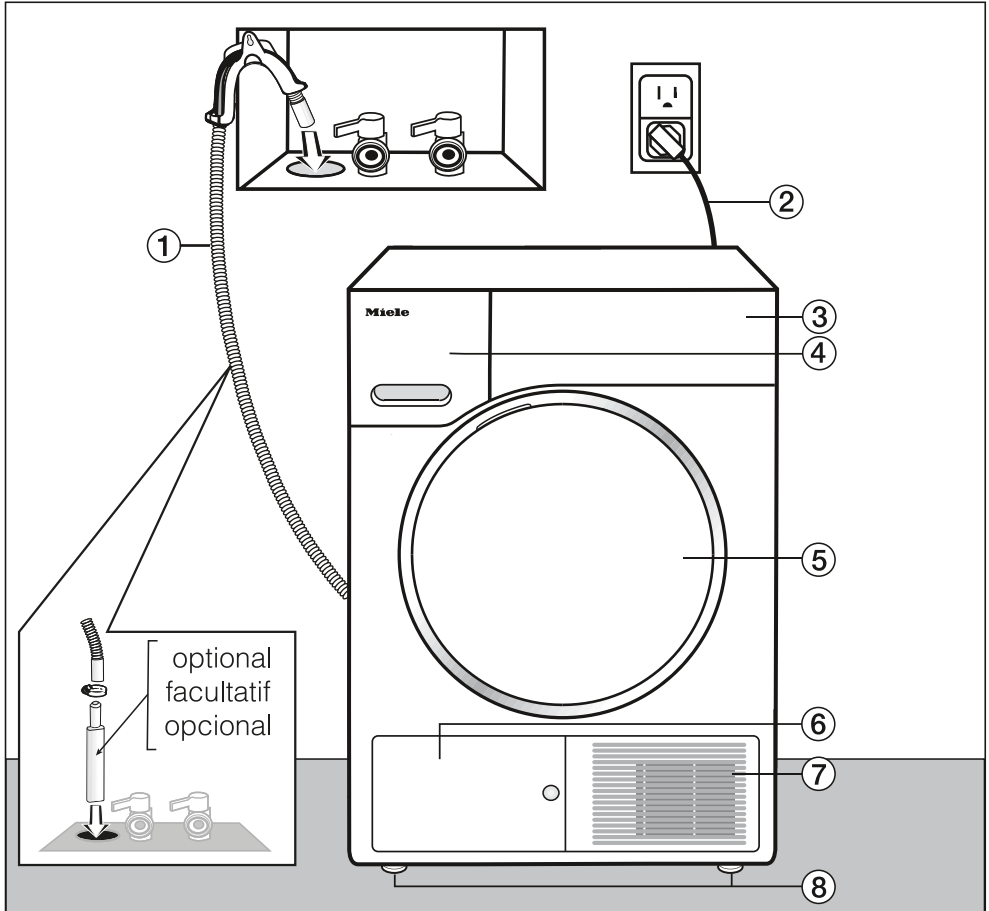
1-800-999-1360 techserv@mieleusa.com

CDN

1-800-565-6435 service@miele.ca

KEEP THESE OPERATING INSTRUCTIONS IN A SAFE PLACE

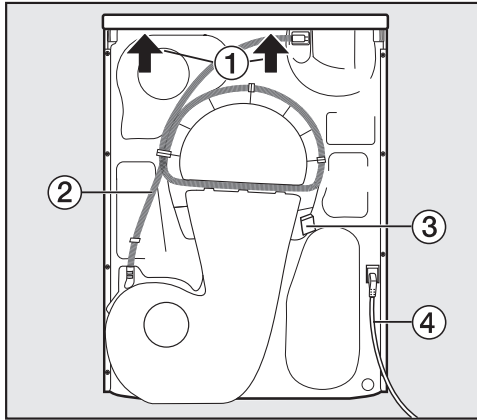
Front view



- ① Drain hose for condensed water
- ② Power cord
 - ⚠ Observe the section entitled “Electrical connection”!
- ③ Control panel
- ④ Condensed water container
 - empty after every drying cycle
- ⑤ Door
 - do not open during drying
- ⑥ Access panel to the heat exchanger and plinth filter
 - do not open during drying
- ⑦ Cold air intake grille
 - do not obstruct with a laundry basket or other objects
- ⑧ four height-adjustable screw feet


Installation

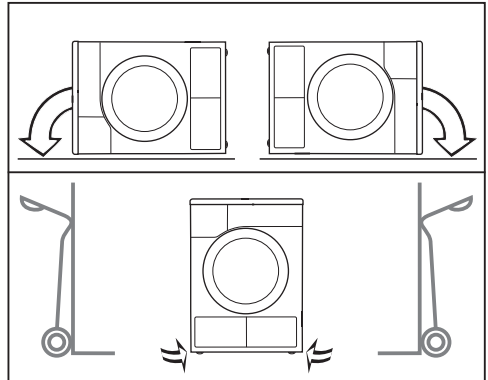
Rear view



- ① Protruding lid for holding when moving the tumble dryer (see arrows)
- ② Drain hose for condensed water
- ③ Hook for winding the power cord during transport
- ④ Power cord


Transporting the tumble dryer

 **Danger of injury to people and damage to property caused by moving the appliance incorrectly.**
If the tumble dryer tips up, there is a danger of injury to people and damage to property.
Ensure that the tumble dryer is stable during transportation.



- If the tumble dryer is being transported on its side, it must be tipped onto its left or right side.
- If the tumble dryer is being transported upright and you are using a hand truck, you must transport it with its left or right side resting on the truck.

Transporting the tumble dryer to its installation site

 The fixings at the back of the lid may become brittle due to external circumstances.

There is a danger of the lid being pulled off when carrying the appliance.

Before carrying the appliance, check that the lid is secure where it protrudes at the back of the appliance.

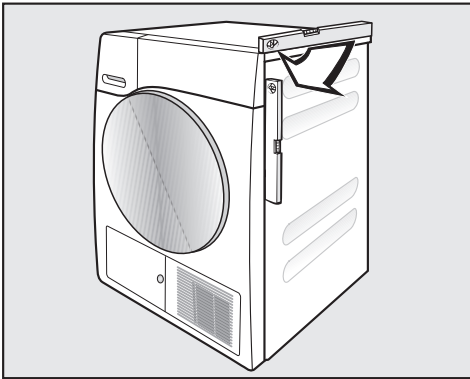
- Carry the tumble dryer by the front feet and by the lid where it protrudes at the back of the appliance.

Installation

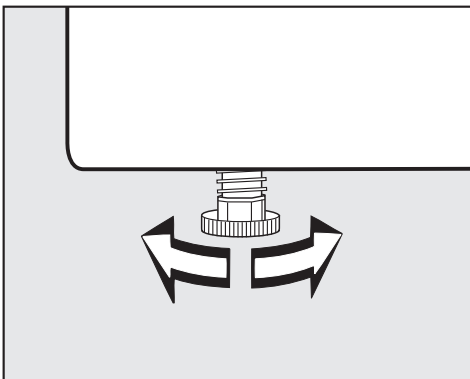
Installation

Levelling the tumble dryer

⚠ Ensure that no closeable door, sliding door or an oppositely hinged door is installed that would hinder the door of the dryer being opened in any way.



The appliance must stand perfectly level to ensure safe and proper operation.



The screw feet can be adjusted to compensate for unevenness in the floor.

Downtime after installation

⚠ Damage caused by switching the appliance on too soon.

This can damage the heat pump. After setting up the tumble dryer, wait for at least one hour before starting a drying program.

Ventilation

The cold air intake at the front of the dryer must not be blocked or covered. This would hinder a sufficient intake of cold air for the heat exchanger.

Do not block the gap between the bottom of the tumble dryer and the floor with plinth facings, deep pile carpet, etc. This would otherwise hinder a sufficient flow of air to the tumble dryer.

The hot air that is blown out from the heat exchanger warms the room air. Ensure sufficient ventilation of the room: e.g., open the window. The drying time will otherwise take longer (higher energy requirement).

Installation

Before moving the tumble dryer again

A small quantity of condensed water that remains in the area around the pump after the drying process can run out if the dryer is tilted.

Recommendation: Start the *Time Dry* program for approx. 1 minute before transporting the dryer. Any remaining condensed water will then be fed into the condensed water container (which you will need to empty again) or out through the drain hose.

Additional installation requirements

⚠ All installations must be carried out in accordance with local regulations.

Slot-in

This tumble dryer is suitable for pushing under a countertop.

⚠ It is very important to avoid a build-up of heat. The warm air which is expelled from the dryer must be able to dissipate. Warm air which cannot dissipate could cause a fault!

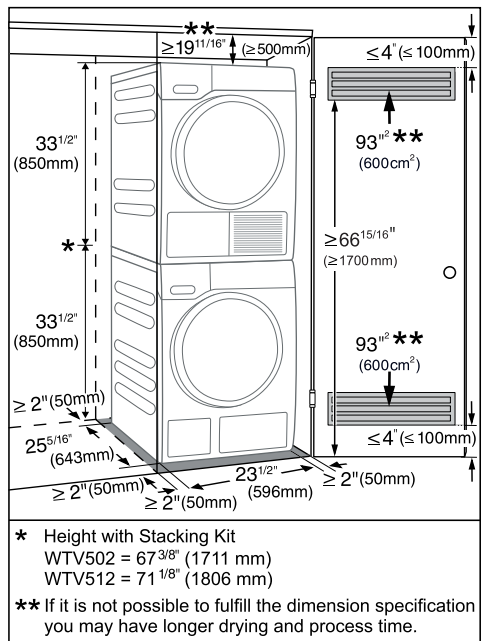
- The appliance lid must not be removed.
- The electrical socket must be located in an accessible position near the tumble dryer.
- Drying durations may increase slightly.

Installing the dryer in a closet

Minimum installation distance

⚠ You must insert sufficiently large ventilation openings into the closet door. You can also open the closet door slightly while the dryer is operating.

Otherwise, the dryer can overheat, which can cause a fault!



⚠ Ensure that the dryer door can be opened at any time. Ensure that the laundry can be removed at any time without hindrance.

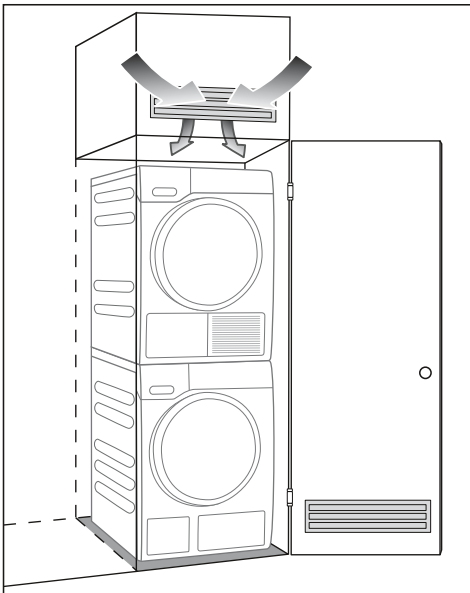
Installing the dryer in a floor-to-ceiling closet

You can also insert a ventilation opening at the top of the closet. In addition, you must also provide an opening on the bottom side of the closet door.

Direct ventilation is also possible via an air conditioning outlet in the closet.

⚠ The air must be able to circulate freely at the top of the closet.

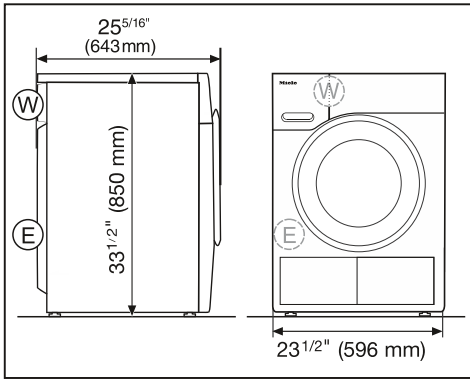
The air supply must not be hindered by an additional closet or shelf!



Installation

Product dimensions

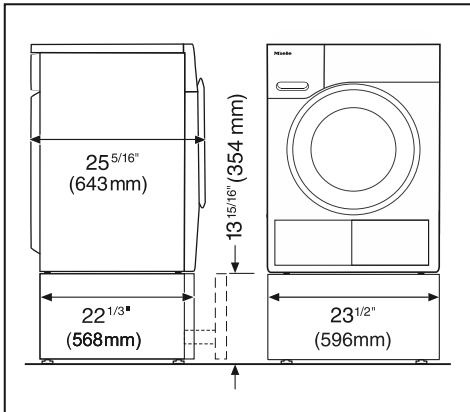
Dimensions



- Ⓜ 1.60 m drain hose, detachable, top right on the rear
- ⓔ 2 m wiring, bottom right on the rear

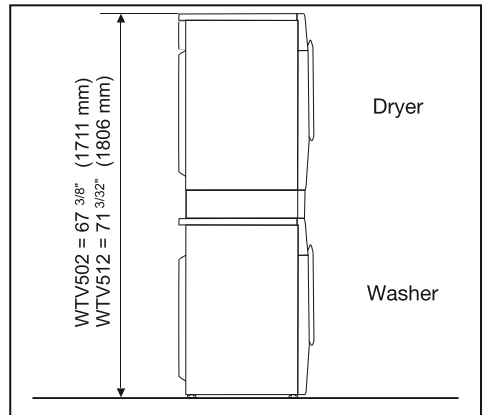
Installation on a plinth

- WTS 510



Washer-dryer stack

- WTV502 or WTV512



Electrical connection

⚠ GROUNDING INSTRUCTIONS

The electrical safety of this dryer can only be guaranteed when continuity is complete between it and an effective grounding system. It is essential that this standard safety requirement is observed and regularly tested. If in any doubt, please have the electrical installation inspected by a qualified electrician. Miele cannot be held liable for the consequences of an inadequate grounding system. The electrical socket must be easily accessible so that the dryer can be disconnected from the electricity supply.

WARNING – If the grounding conductor is connected incorrectly, this can result in electric shock. Contact a qualified electrician if you are unsure whether the appliance is properly grounded.

Do not change the plug: If it does not fit into the socket, you should have a proper outlet installed by a qualified electrician.

The dryer is equipped with a 6' 7" (2 m) power cord with plug. The dryer is connected to a NEMA 5-15 socket with an electrical connection of 120 V, 60 Hz, 15 A.

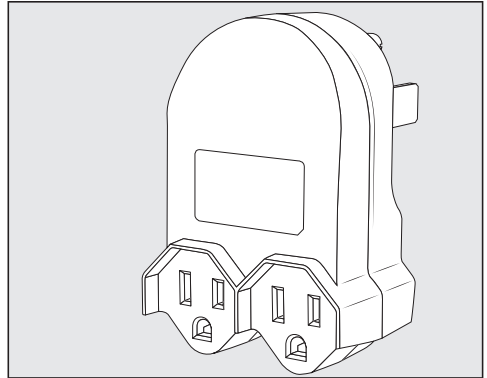
The manufacturer recommends operating the appliance on a dedicated circuit to avoid overloading the electrical circuit.

Connection adapter for NEMA 14-30 socket

⚠ If a NEMA 14-30 socket is provided on-site for the dryer, the Miele connection adapter* can be used.

Observe the following description to avoid damage to the dryer.

Useful tip: * You can order the connection adapter directly from Miele (USA or CDN).



- The connection adapter has a NEMA 14-30 plug and two NEMA 5-15 socket-side connectors. The dryer and washing machine can therefore be connected to the 120 V / 60 Hz electricity supply.
- The connection adapter is equipped with two 15 A fuses which protect both the connected appliances and the connection adapter.

Installation

External draining of condensed water


Note

When drying is in progress, condensed water is pumped into the condensed water container through the drain hose which is located at the back of the dryer.

The condensed water can also be externally drained away via the drain hose on the back of the dryer. This means that the condensed water container no longer has to be emptied.

Drain hose length: 1.60 m
Maximum delivery head: 1.00 m
Maximum drain hose length: 4.00 m

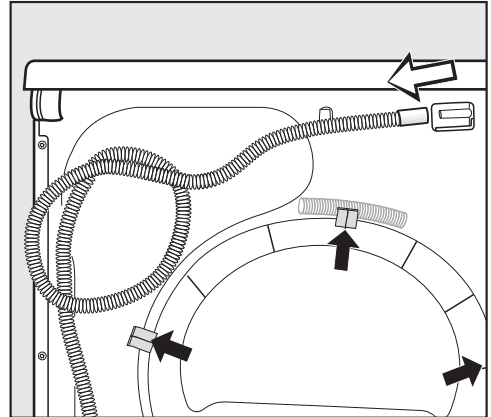
Laying the drain hose

 Damage to the drain hose through incorrect handling.

The drain hose can suffer damage and leak.

Do not pull on the drain hose and do not stretch it or allow it to become kinked.

There will be a small amount of residual water left in the drain hose. Have a container ready to collect this.




- Pull the drain hose off its connection (light arrow).
- Pull the hose out of the holders (dark arrow) and unwind it.
- Allow any residual water to run into a container.

Condensate drain

The drain hose on the back of the dryer can be inserted into the drainage mechanism.

- Attach the end of the hose to the drainage mechanism.

 Secure the drain hose carefully (e.g. by tying it) to make sure it cannot slip.

Overflowing water can cause damage.


Changing the door hinging

Preparation

This tumble dryer is delivered with the door hinging installed on the right-hand side. You can change the door hinging over to the left-hand side.

To do this, you will need:

- a Torx T20 screwdriver
- a Torx T30 screwdriver
- a soft surface (e.g. a blanket)

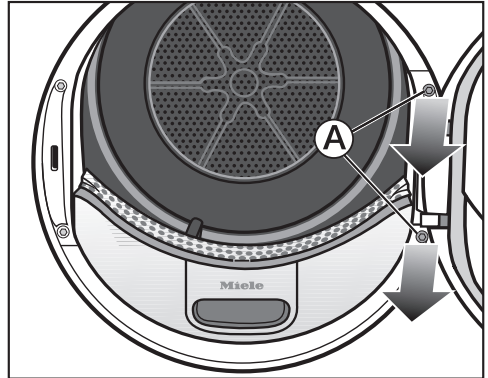
 For safety reasons, the tumble dryer must be disconnected from the electricity supply (pull out the electrical plug).

Useful tip: Before starting work, read the following text and take a good look at the images. Then complete the following steps in the sequence described.

Removing the door

You will need a Torx T30 screwdriver.

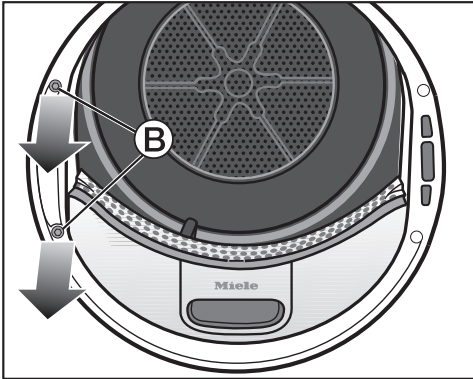
- Open the door of the tumble dryer fully.



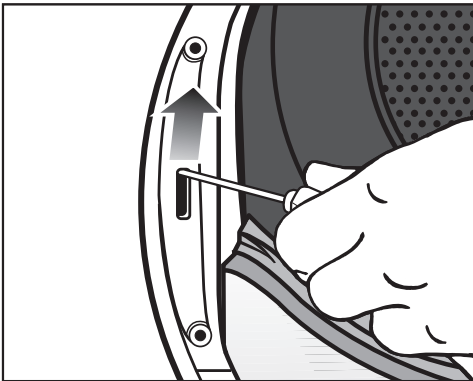
- Use the Torx screwdriver to unscrew the two screws **A** on the base plate of the door hinge. The door cannot fall off.
- Place the two screws on the lid of the tumble dryer.
- Take a firm hold of the door.
- Pull the door forward so that you can pull the two pins out of the base plate of the door hinge.
- To avoid scratching the door, place it on the blanket outer side down.

Installation

Switching the door lock



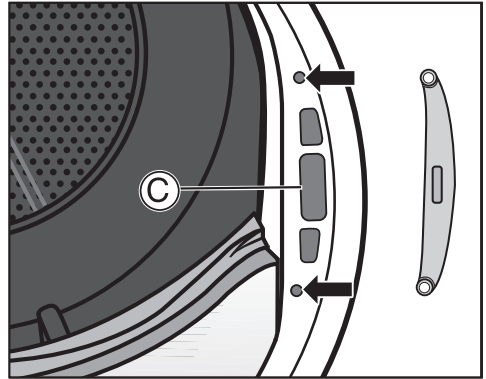
- Use the Torx screwdriver to unscrew the two screws ② on the door lock.



- Use a screwdriver to push the door lock up.

The door lock will spring out of its position and can then be removed.

- Turn the door lock by 180°.

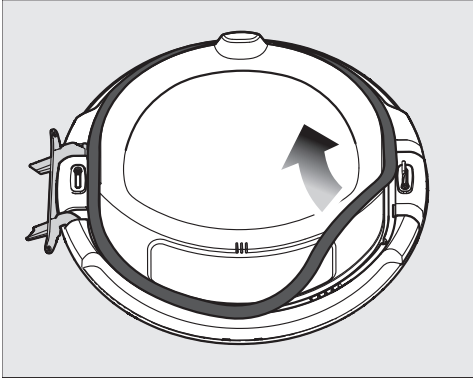


- Insert the door lock into the opening on the opposite side ③.
- Adjust the position of the door lock so that the two screw holes line up with the two holes in the front panel of the dryer (arrows).
- Secure the door lock tight with the two screws ②.
- Set the Torx screwdriver to one side.

You will not need the Torx T30 screwdriver again until the end when you are installing the door on the tumble dryer.

Removing the door seal and the screws

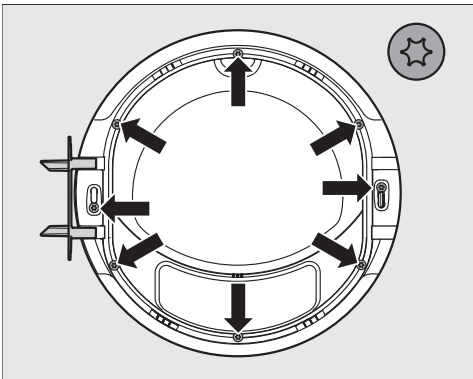
Removing the door seal



- Starting from one side and working all the way round, pull the door seal up to remove it.
- Place the door seal on the lid of the tumble dryer.

Removing the screws

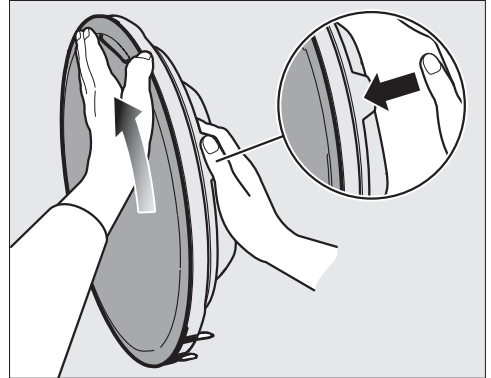
You will need a Torx T20 screwdriver.



- Use the Torx screwdriver to unscrew the eight screws.
- Place the eight screws on the lid of the tumble dryer.

Removing the outer plate from the door

- Holding the door firmly in one hand, stand it upright on the blanket.



- Take a firm hold of the door by the lug at the top.
- Place your other hand flat on the top part of the outer plate, with your thumb on the outside edge.
- Use your flat hand and a little force to turn and unfasten the outer plate.

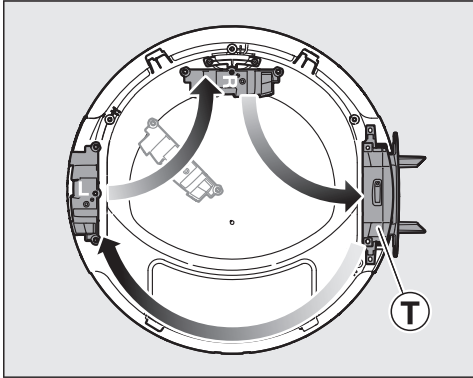
The outer plate should disengage from the door after a short turn.

- Set the outer plate to one side.

Installation

Switching the door hinge and the caps

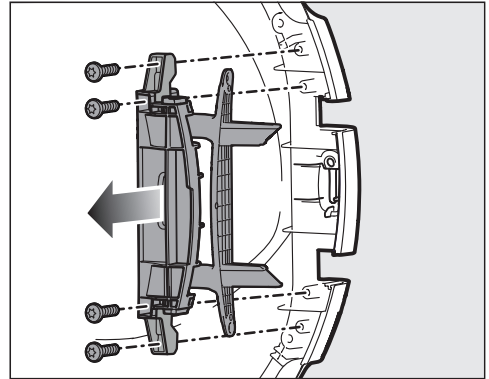
Start by removing the door hinge (T). Next, swap the caps for the door latches marked R and L. The tumble dryer is delivered with the cap marked R at the top.



Position of the door hinge and the caps with right-hand door hinging (as delivered).

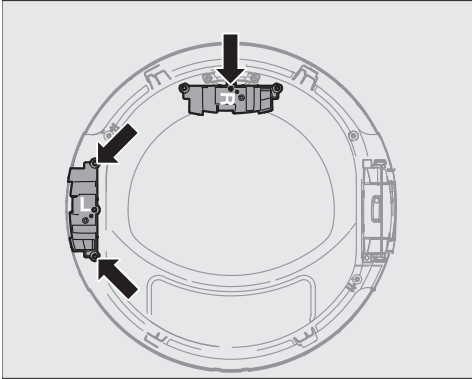
- Set the door down on the blanket.

Removing the door hinge



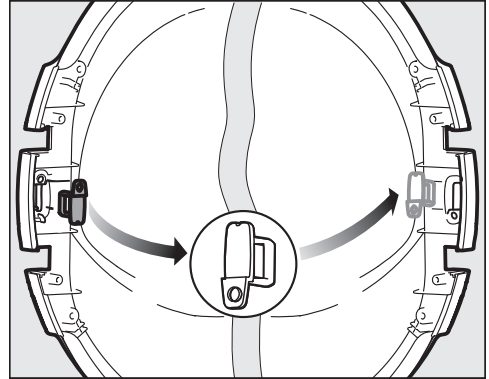
- Use the Torx screwdriver to unscrew the four screws from the door hinge.
- Lift the door hinge up and off the door.
- Reinstall the door hinge on the left-hand side of the door.
- Leave the two screws for the door hinge in place on the right-hand side of the door.
- Leave the other two screws for the door hinge in place on the left-hand side of the door.

Removing the caps



- Remove the screw from the cap marked R and take off the cap.
- Set aside the screw you have removed above the door.
- Install the cap marked R on the right-hand side of the door.
- Remove the two screws from the cap marked L.
- Pull the cap L up to remove it and set it aside above the door.
- Leave the two screws for the cap L in place on the left-hand side of the door.

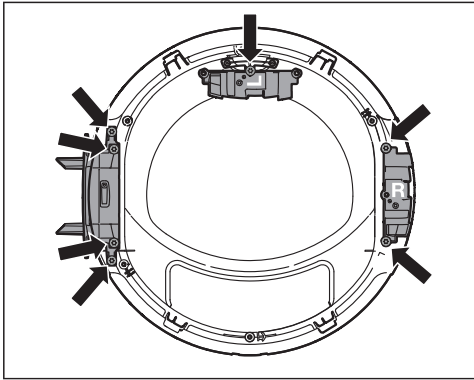
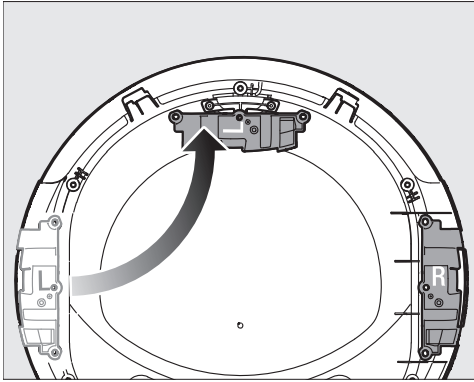
Converting the lock catch



- Push the lock catch all the way up from the back of the tumble dryer.
- Remove the lock catch.
- Turn the lock catch by 180° as shown in the centre of the image.
- Reinstall the lock catch on the opposite side of the door.

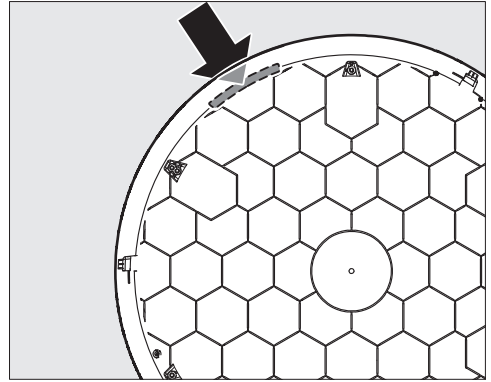
Installation

Installing the caps and the hinge



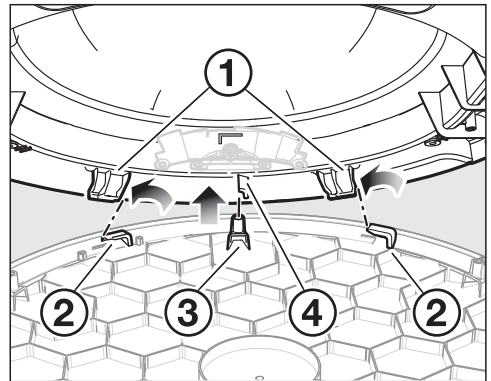
- Screw the cap marked L tight with one screw.
- Install the cap marked R and screw it tight with two screws.
- Install the door hinge and screw it tight with four screws.

Installing the outer plate on the door



- Place the outer plate on the blanket outer side down.

The yellow marker should be on the top left.



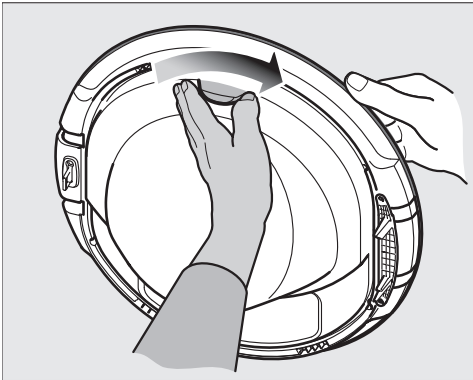
- Looking in through the opening, position the door diagonally on the outer plate.

The door hinge is on the right-hand side.

Ensure that:

- The two retainers ① are on the left in front of the two latches ②.
- The ridge ④ is to the right of the screw boss ③.

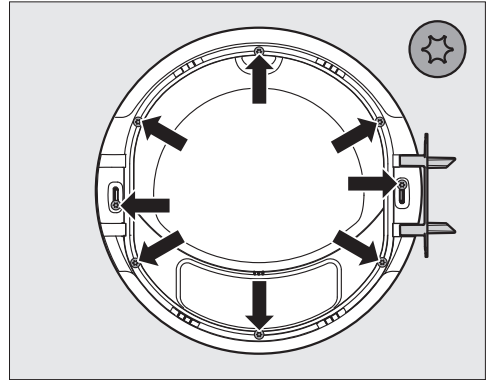
- Lower the door carefully without twisting it. The door and the outer plate must fit together like a pot with its lid.
- Place one hand flat underneath the outer plate of the door.
- With your other hand, take a firm hold of the door by the lug.



- Turn the door in the direction of the arrow while pressing against the outer plate slightly with your flat hand.

The outer plate should engage in the door after a short turn.

Inserting the screws and installing the door seal

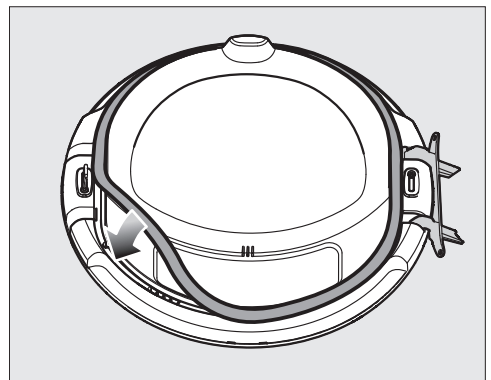


- Use the Torx screwdriver to screw in the eight screws.

The outer plate must be engaged in the door correctly.

If it is not, it will not be possible to screw the outer plate and the door together, because the screw holes will not line up with the screw bosses.

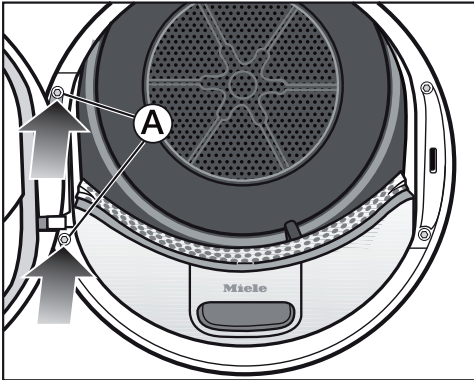
If the fit is not right, revisit and check the “Installing the outer plate on the door” step.



- Push the door seal into the groove all the way round.

Installation

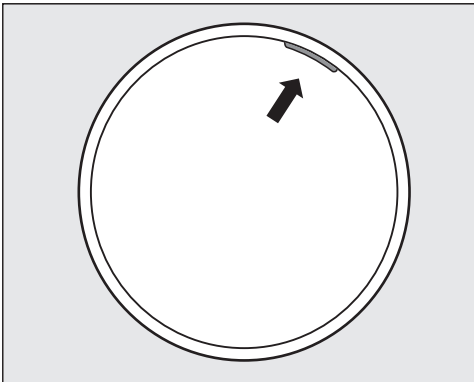
Installing the door



- Position the door in front of the dryer.
- Install the base of the door hinge with its two pins in the openings on the tumble dryer.

Useful tip: The base of the door hinge must be flush with the front panel of the dryer. The door then cannot fall off.

- Screw the door securely to the dryer at the base of the door hinge **A** with the two T30 screws.



The yellow marker on the right-hand side shows operators and users which side to open the door.

Technical data

Height	33 7/16" (850 mm)
Width	23 7/16" (596 mm)
Depth	25 3/4" (655 mm)
Depth with door open	42 3/8" (1077 mm)
Slot-in	Yes
Stackable	Yes
Weight	Approx. 137 lbs (62 kg)
Drum volume	31.7 gal (120 L)
Load quantity	17.6 lb (8 kg) dry laundry
Capacity of condensed water container	1.27 gal (4.8 L)
Hose length	63" (1.60 m)
Maximum head height	39 1/3" (1.00 m)
Maximum drain hose length	157 1/2" (4.00 m)
Length of connection cable	78 3/4" (2.00 m)
Connection voltage	See data plate
Connected load	See data plate
Fuse	See data plate
Test certificates awarded	See data plate
LEDs	Class 1
Frequency band	2.4000 GHz – 2.4835 GHz
Maximum transmitting power	< 100 mW

Programmable functions

Programming

You can use the programmable functions to alter the dryer's electronics to suit your requirements.

Programming is carried out in these steps (1, 2, 3 ... 9) using the sensor buttons.

Accessing the programming level

Before you begin, ensure the following:

- The program selector is turned to a program.
- The door of the dryer is open.

- 1 Touch the *Start/Add laundry* sensor button and hold it down whilst carrying out steps 2–3.
- 2 Close the tumble dryer door.
- 3 Wait until the *Start/Add laundry* sensor button, which will now be flashing quickly, lights up constantly ...
- 4 ... and then release the *Start/Add laundry* sensor button.

P01 will light up on the time display.

Choosing and selecting programmable functions

The number of the programmable function will appear on the time display as *P* and a number: e.g., *P01*.

- 5 Touch the > or < sensor control to scroll to the next or previous programmable function:

Programmable function	
<i>P01</i>	Normal drying levels
<i>P02</i>	Wrinkle-free drying levels
<i>P05</i>	Buzzer volume
<i>P06</i>	Keypad tone
<i>P07</i>	PIN code
<i>P08</i>	Conductivity
<i>P11</i>	Control field switch-off status
<i>P13</i>	Memory
<i>P14</i>	Anti-crease
<i>P19</i>	Buzzer active
<i>P20</i>	Airways indicator
<i>P22</i>	Display brightness dimmed
<i>P24*</i>	RemoteUpdate
<i>P31*</i>	Remote control
<i>P32*</i>	SmartGrid
<i>P00</i>	Factory default setting

* only visible after networking

- 6 Confirm the selected programmable function by touching the *Start/Add laundry* sensor control.

Editing and saving the programmable function

You can either switch a programmable function on / off or select different options.

The programmable function option will appear in the time display as - and a number:
e.g. -00.

- 7 Touch the > or < sensor button to switch the programmable function on / off or to select an option:

Programmable function	available options							
	-00	-01	-02	-03	-04	-05	-06	-07
	P01		X	X	X	✓	X	X
P02		X	X	X	✓	X	X	X
P05		X	✓					
P06	X	✓	X					
P07	✓	X						
P08		✓	X					
P11	X	✓						
P13	✓	X						
P14	X	X	✓					
P19	X	✓						
P20	X	X	✓	X				
P22		X	✓	X	X	X	X	X
P24	X	✓						
P31	X	✓						
P32	✓	X						
P00	X	X						

X = can be selected, ✓ = factory default

- 8 Confirm the chosen selection with the *Start/Add laundry* sensor control.

The number of the programmable function (e.g., P01) will then light up again.

Exiting the programming level

- 9 Turn the program selector to the ⏻ position.

The settings have been changed. You can alter the settings again at any time.

Programmable functions

P01 Drying levels “Normal”

You can adjust the drying levels for the *Normal* program to one of seven different levels.

Options

- 01 = Even damper
- 02 = Damper
- 03 = A little damper
- 04 = **Factory setting**
- 05 = A little drier
- 06 = Drier
- 07 = Even drier

P02 Drying levels “Wrinkle-free”

You can adjust the drying levels for the *Wrinkle-free* program to one of seven different levels.

Options

- 01 = Even damper
- 02 = Damper
- 03 = A little damper
- 04 = **Factory setting**
- 05 = A little drier
- 06 = Drier
- 07 = Even drier

P05 Buzzer volume

The buzzer volume can be changed.

- 01 = Quieter
- 02 = **Factory setting**

P06 Keypad tone

The audible signal that sounds when a sensor button is pressed can be changed or switched off.

- 00 = Off
- 01 = **Factory setting**
- 02 = Louder

P07 Code

The code prevents your dryer being used without your knowledge.

When the code has been activated, you have to enter the code after switching the dryer on. Otherwise, the dryer cannot be operated.

Options

-00 = **Off (factory setting)**

-01 = On

If the -01 option has been selected, after switching on you will have to enter the code before you can operate the dryer.

Using the tumble dryer with a PIN code

After the tumble dryer is switched on, --- will flash in the time display.

The PIN code is 250 and cannot be altered.

- Touch the > sensor button until a 2.. flashes in the first position.
- Confirm with the *Start/Add laundry* sensor button.
- Enter the two other numbers in the same way.

The tumble dryer is ready for use after 250 has been entered and confirmed.

P08 Conductivity

This programmable function should only be altered if the water is so soft that it is likely to cause the electronics which sense residual moisture in the laundry to give false readings.

Options

-01 = **Off (factory setting)**

-02 = Low

Important

This programmable function should only be set if the water used for washing the laundry is extremely soft with a conductivity reading (electrical conductivity) of less than 150 µS/cm. Contact your local water supplier for the conductivity level of your water supply.

Make sure that you only activate -02 for the condition described above. Otherwise, drying results can be unsatisfactory.

Programmable functions

P11 Control field switch-off status

To save energy, the time display and sensor buttons will go out once the program has been running for 10 minutes. In this case, the *Start/Add laundry* sensor button flashes slowly.

However, there is no switch-off in the event of a fault.

Options

-00 = **Off**

The time display and sensor buttons do not go out.

-01 = **On (factory setting)**

The time display and sensor buttons will go out once the program has been running for 10 minutes.

“Switching on” the display again

- Touch the *Start/Add laundry* sensor button. This will not affect a running program.

P13 Memory

You can set the following: the electronic will save the drying level and any options selected for the current drying program. It will also save the duration of the *Time Dry/DryFresh* program. When the program is selected again, these saved settings will appear on the display.

Options

-00 = **Off (factory setting)**

-01 = On

P14 Anti-crease

After the drying cycle has finished, the drum will continue to rotate in a special Anti-crease rhythm for a max. of 2 hours. This helps to prevent creasing if the laundry is not removed immediately after the end of a program. The duration can be shortened.

Options

-00 = **No Anti-crease (factory setting)**

-01 = 1 hour

-02 = 2 hours

P19 Buzzer on

The buzzer sounds to let you know the program has finished. It can be switched on or off.


The continuous tone which sounds when there are error messages is independent of the buzzer.

Options

-00 = Off

-01 = **On (factory setting)**


P20 Airway indicator

Lint should be removed after drying. The  indicator light will also come on when a certain amount of lint has collected in the filters. You can decide at what level of lint this reminder should be given.


You will have an idea of how often this should be done after a few drying programs.

Options

-00 = Off


The  indicator light does not come on. However, if there is a very severe blockage in the ducting, the program will be cancelled and the error message *F 055* will appear on the display regardless of this option.

-01 = Heavy

The  indicator light will come on when there is a heavy build-up of lint.

-02 = **Normal (factory setting)**

-03 = Light

The  indicator light will come on when there is only a small build-up of lint.

Programmable functions

P22 Display brightness dimmed

The brightness of the dimmed sensor buttons in the control field can be set to one of 7 different levels.

The brightness will change as soon as a different setting is chosen.

Options

- 01 = Darkest level
- 02 = **Factory setting**
- ...
- 07 = Brightest level

P00 factory default setting

The programmable functions are reset to the factory default settings.

- 00 = Factory default is set
- 01 = Reset programmable functions to factory default settings

Networking



The *P24*, *P31*, and *P32* programmable functions are only displayed if the requirements for using Miele@home have been met (see “Miele@home” and “Initial commissioning”).

Switching off WiFi

The network configuration should be reset whenever a tumble dryer is being disposed of or sold, or if a used tumble dryer is being put into operation. This is the only way to ensure that all personal data has been removed and the previous owner will no longer be able to access the tumble dryer.

- Turn the program selector to *MobileStart* .

On will light up on the time display of the tumble dryer.

- Touch the  sensor button on the tumble dryer and hold the  sensor button until the countdown on the time display has finished.

--- appears on the time display.

- The WiFi is switched off.
- The WiFi connection will be reset to the factory setting.

A new connection setup has to be carried out in order to use the Miele@home setting again.

P24 RemoteUpdate

The RemoteUpdate function is used for updating the software in your tumble dryer. If an update is available for your tumble dryer, it will automatically download it. Updates will not be installed automatically. They must be initiated manually.

If you do not install an update, you can continue to use your tumble dryer in the usual way. However, Miele recommends installing updates.

Running a RemoteUpdate

Information about the content and scope of an update is provided in the Miele@mobile app.

The message *UP* will appear on the time display if an update is available.

You can install the update immediately or postpone this until later. When the tumble dryer is switched on again, you will be reminded about the update.

Deactivate RemoteUpdate if you do not want to install the update.

The update may take several minutes.

Please note the following information about the RemoteUpdate function:

- You will only receive a message when an update is available.
- Once an update has been installed, it cannot be undone.
- Do not switch off the tumble dryer during an update. Otherwise, the update will be aborted and will not be installed.

Programmable functions

- Some software updates can only be carried out by Miele Service.

Activating / deactivating

The RemoteUpdate function is activated as standard. Available updates will be downloaded automatically but will only be installed if you initiate installation manually. Deactivate RemoteUpdate if you do not want any updates to be downloaded automatically.

Options

-00 = Off

-01 = **On (factory default setting)**

Starting the update

After the tumble dryer is switched on, *UP* appears on the time display.

- Touch the *Start/Add laundry* sensor button.

UP starts to flash on the time display. The update starts.

Bars on the time display show the progress of the update:

| = 0%

||||||| = 100%

Postponing the update

After the tumble dryer is switched on, *UP* appears on the time display.

- Touch the  sensor button.


The next time you switch on the appliance, you will be prompted to start the update again.

P31 Remote control

You can use the Miele@mobile app to check the status of your tumble dryer from anywhere and start it remotely. You can also control it remotely via the *MobileStart* program.

Remote control is automatically activated when you connect the tumble dryer to the WiFi network. You can switch off remote control if you do not want to operate the tumble dryer with your mobile device.

A program can be cancelled via the app even if this programmable function is switched off.

Use the  button to set a timeframe during which you wish to start the tumble dryer and start the delay start. The tumble dryer will then start within the timeframe specified when it receives your signal.

If it has not received a start signal by the latest start time set, the tumble dryer will start automatically.


Options


-00 = Off

-01 = **On (factory default setting)**

P32 SmartGrid

You can set your tumble dryer to start automatically based on an external signal within a certain time period.

If you have activated SmartGrid, the  sensor button will have the new “SmartStart” function rather than the “Delay start” function.

Use the  sensor button to set a SmartStart timeframe. The tumble dryer will then start within the timeframe specified by you when it receives an external signal. If an external signal has not been received by the latest start time set, the tumble dryer will start automatically (see “Delay start”).

Options

-00 = **Off (factory default setting)**

-01 = On

Programmable functions

Copyrights and licenses for the communication module

For the purpose of operating and controlling the communication module, Miele uses proprietary or third-party software that is not covered by open source licensing terms. These items of software/software components are protected by copyright. The copyrights held by Miele and third parties must be respected.

In addition, the communication module contains software components which are distributed under open source licensing terms. The open source components contained in the appliance along with the corresponding copyright notices, copies of the licensing terms valid at the time, and any further information can be accessed locally via IP using a web browser (*http://<IP address>/Licenses*). The liability and warranty arrangements for the open source licences displayed in this location only apply in relation to the respective rights holders.

**Please have the model and serial number
of your appliance available when
contacting Customer Service.**

**Canada
Importer
Miele Limited**

Headquarters and Miele Centre

161 Four Valley Drive
Vaughan, ON L4K 4V8
www.miele.ca

Customer Care Centre

Phone: 1-800-565-6435
customercare@miele.ca

**Germany
Manufacturer**

Miele & Cie. KG
Carl-Miele-Straße 29
33332 Gütersloh

TXD 160 WP

en-CA

M.-Nr. 12 303 010 / 00