












Operating and installation instructions Refrigerator



It is **essential** to read these operating and installation instructions before installing and using the appliance. This prevents both personal injury and damage to the appliance.

Contents

Warning and Safety instructions	5
Caring for the environment	16
Installation	17
Location	17
Climate range	17
Installation notes	18
Adjoining cabinets/units	18
Load-bearing capacity of the niche floor	19
Ventilation	19
Door hinging	19
Side-by-side units	20
Installation dimensions	22
Dimensions when the appliance door is open (opening angle 90°/115°).....	24
Dimensions of the furniture front	25
Installing the appliance	26
Before you start	26
Tools required	26
Weight of furniture front	27
Aligning the installation niche	27
Checking the installation niche	28
Before installation	28
Preparing the installation niche	30
Pushing the appliance into the niche	32
Aligning the appliance	34
Securing the appliance in the niche	37
Preparing to install the furniture fronts	38
Securing and aligning the furniture front	41
Securing the covers	45
Securing the plinth ventilation grille and plinth cover	48
Limiting the opening angle of the door	48
Electrical connection	49
Saving energy	50
Guide to the appliance	52
Main screen	53
Settings mode 	54
Accessories	56
Accessories supplied	56
Optional accessories	56
Active AirClean filter holder	56

Using for the first time	58
Before using for the first time	58
Choosing the right Door assistant (Push2open/Pull2open)	58
Inserting the Active AirClean filters	58
Miele@home	59
Operating the refrigeration appliance	60
Using for the first time	61
Switching on and off	62
Switching off for longer periods of time	62
Selecting further settings	63
Switching the Keypad lock  on or off	63
Adjusting the temperature in the MasterFresh zone (dry compartment) 	64
Switching Eco mode  on or off	64
Carrying out a Self test 	65
Switching on the Door assistant 	66
Switching off the Door assistant 	68
Miele@home	68
Switching off Demo mode 	70
Resetting the settings to their factory default settings 	71
Switching Sabbath mode  on or off	73
Switching on, switching off, or resetting the Display Active AirClean filter 	74
The correct temperature	76
... in the refrigerator section and in the MasterFresh zone	76
Setting the temperature	77
Adjusting the temperature in the dry compartment of the MasterFresh zone	77
Temperature range	77
Using SuperCool	78
Door alarm	79
Adjusting the interior fittings	80
Moving or removing the shelves in the appliance door	80
Moving or removing the adjustable shelves	80
Removing the hanging drawer	81
Removing compartments from the refrigerator	82
Storing food in the refrigerator section	83
Different storage zones	83
Food which is not suitable for storage in the refrigerator	84
Notes on buying food	84
Storing food correctly	84

Contents

Storing food in the MasterFresh zone	85
MasterFresh zone	85
Humidity-controlled compartment with moisture adjustment.....	85
Dry compartment with adjustable temperature.....	87
Automatic defrosting	89
Cleaning and care	90
Cleaning agents.....	90
Before cleaning the appliance.....	91
Cleaning the interior and accessories	91
Cleaning the door seal	92
Cleaning the ventilation gaps	92
Replacing the Active AirClean filters	92
After cleaning	93
Problem solving guide	94
Noises	99
Service	100
Contact in case of fault	100
Warranty	100
Copyright and licences	101

Warning and Safety instructions


This refrigeration appliance complies with current local and national safety requirements. However, inappropriate use can lead to personal injury and damage to property.

Please read the operating and installation instructions carefully before using the refrigeration appliance for the first time. They contain important information on safety, installation, use and maintenance of the appliance. This is to protect yourself from injury and from damaging your refrigeration appliance.

In accordance with standard IEC 60335-1, Miele expressly and strongly advises that you read and follow all information provided concerning the installation of the refrigeration appliance, as well as safety notes and warnings.

Miele cannot be held liable for injury or damage caused by non-compliance with these instructions.

Keep these instructions in a safe place and pass them on to any future owner.

 Risk of injury and damage due to the refrigeration appliance tipping over.

This appliance is very heavy and can tip forwards when the door is open.

Keep the appliance doors shut until the appliance has been built in and secured in its housing in accordance with the operating and installation instructions.

Warning and Safety instructions

Correct application

▶ This appliance is designed for domestic use and for use in similar environments by guests in hotel or motel rooms, bed & breakfasts and other typical living quarters. This does not include common/shared facilities or commercial facilities within hotels, motels or bed & breakfasts.

This appliance is not suitable for outdoor use.

▶ This appliance is intended for domestic use only for the cooling and storing of food and drinks.

Any other usage is not permitted.

▶ This appliance is not suitable for storing and keeping cool medicines, blood plasma, laboratory preparations or similar substances or products. Incorrect use of the appliance for such purposes may cause deterioration of the items stored.

The appliance is also not suitable for use in areas where there is a risk of explosion.

Miele cannot be held liable for damage resulting from incorrect or improper use or operation of the appliance.

▶ This appliance is not intended for use by persons (including children) with reduced physical, sensory or mental capabilities or lack of experience and knowledge, unless they have been given supervision and instruction concerning its use by a person responsible for their safety.

They may only use the appliance unsupervised if its operation has been clearly explained to them and they are able to use it safely and are able to understand and recognise the possible dangers caused by incorrect operation.

Safety with children

- ▶ Young children must not be allowed to use this appliance.
- ▶ Older children may only use the appliance when its operation has been clearly explained to them and they are able to use it safely, recognising the dangers of misuse.
- ▶ Cleaning work may only be carried out by older children under the supervision of an adult.
- ▶ Please supervise children in the vicinity of the appliance and do not let them play with it.
- ▶ The appliance door hinges can cause injury. Keep children away at all times.
- ▶ Danger of suffocation! Children may be able to wrap themselves in packing material (e.g. foil) or pull it over their head with the risk of suffocation. Keep packaging material away from children.

Warning and Safety instructions

Technical safety

► The refrigerant circuit has been checked for leaks. The refrigeration appliance complies with all current local and national safety requirements.



► Warning: Risk of fire / Flammable materials.

This refrigeration appliance contains the refrigerant Isobutane (R600a), a natural gas which is environmentally friendly. Although it is flammable, it does not damage the ozone layer and has a lower greenhouse effect than some other refrigerants.

The use of this refrigerant has, however, led to a slight increase in the noise level of the appliance. In addition to the noise of the compressor, you might be able to hear the refrigerant flowing around the system. Unfortunately, these effects cannot be avoided, but they do not affect the performance of the refrigeration appliance.

When transporting and installing the refrigeration appliance, ensure that no parts of the cooling circuit are damaged. Splashes of refrigerant can damage the eyes.

In the event of any damage:

- Avoid naked flames or anything which creates a spark.
- Disconnect the refrigeration appliance from the mains electricity supply.
- Ventilate the room in which the appliance is located for several minutes.
- Call Miele.

Warning and Safety instructions

▶ The more refrigerant there is in a refrigeration appliance, the larger the room should be in which it is installed. In the event of a leakage, if the appliance is in a small room, there is the danger of a combustible gas/air mixture building up. For every 8 g of refrigerant, at least 1 m³ of room space is required. The amount of refrigerant in the refrigeration appliance is stated on the data plate inside the appliance.

▶ To avoid the risk of damage to the appliance, make sure that the connection data (fuse rating, frequency and voltage) on the data plate corresponds to the household supply. Check that this is the case before connecting the appliance.

Consult a qualified electrician if in any doubt.

▶ The electrical safety of this appliance can only be guaranteed when correctly earthed. It is essential that this standard safety requirement is met. If in any doubt please have the electrical installation tested by a qualified electrician.

▶ Temporary or permanent operation with a self-sufficient or non-mains synchronous energy supply system (e.g. isolated networks, back-up systems) is possible. A requirement for the operation is that the energy supply system complies with all current local and national requirements that apply to stand-alone, solar and/or battery systems.

The protective measures provided in the installation and in this Miele product must also be assured in their function and operation in isolated operation or in non-mains synchronous operation, or replaced with equivalent measures in the installation.

▶ The socket must not be concealed behind the appliance and must be easily accessible so that the appliance can be quickly disconnected from the electricity supply in case of an emergency.

▶ If the electrical connection cable supplied is damaged, it must only be replaced by an original spare part to prevent a hazard for the user. Miele can only guarantee the safety of the appliance when original Miele spare parts are used.

Warning and Safety instructions

- ▶ Do not connect the appliance to the mains electricity supply by a multi-socket unit or an extension lead. These do not guarantee the required safety of the appliance (e.g. danger of overheating).
- ▶ If moisture gets into electrical components or into the mains connection cable, it could cause a short circuit. Therefore, do not operate this refrigeration appliance in areas which are exposed to moisture (e.g in a garage or laundry).
- ▶ This appliance must not be installed and operated in mobile installations (e.g. on a ship).
- ▶ Do not use a damaged appliance. It could be dangerous. Check the appliance for visible signs of damage.
- ▶ For safety reasons, this appliance may only be used when it has been fully installed.
- ▶ During installation, maintenance and repair work, the appliance must be disconnected from the mains electricity supply. It is only completely isolated from the electricity supply when:
 - the mains circuit breaker has been switched off, or
 - the screw-out fuse is removed (in countries where this is applicable), or
 - it is switched off at the wall socket and the plug is withdrawn from the socket. Do not pull the mains connection cable but the mains plug to disconnect your appliance from the mains electricity supply.
- ▶ Repairs and other work by unqualified persons could be dangerous. Maintenance work and repairs to electrical appliances must only be carried out by a Miele authorised technician.
- ▶ The manufacturer's warranty will be invalidated if the appliance is not repaired by a Miele authorised technician.

Warning and Safety instructions

- ▶ Faulty components must only be replaced with genuine Miele original spare parts. Miele can only guarantee the safety standards of the appliance when Miele spare parts are used.
- ▶ This refrigeration appliance is supplied with a special lamp to cope with particular conditions (e.g., temperature, moisture, chemical resistance, abrasion resistance and vibration). This lamp must only be used for the purpose for which it is intended. The lamp is not suitable for room lighting. Replacement lamps may only be replaced by a Miele authorised technician. This refrigeration appliance contains several light sources with at least energy efficiency class F.
- ▶ In areas which may be subject to infestation by cockroaches or other vermin, pay particular attention to keeping the appliance and its surroundings clean at all times. Any damage caused by cockroaches or other vermin will not be covered by the warranty.

Correct use

- ▶ This refrigeration appliance is designed for use within specific ambient temperatures (climate range). Do not use it in ambient temperatures for which it is not designed. The climate class is stated on the data plate inside the refrigeration appliance. A lower ambient temperature will cause the compressor to switch off for longer periods, meaning that the refrigeration appliance is unable to maintain the required temperature.
- ▶ To ensure proper air flow in and out of the appliance, the ventilation gaps in the appliance and built-in structure must not be covered or blocked in any way. This would also increase the energy consumption and could cause damage to the appliance.
- ▶ If storing food which contains a lot of fat or oil in the appliance or the appliance door, make sure that it does not come into contact with plastic components as this could cause stress cracks or break the plastic. Make sure that no fat or oil leaks onto the plastic parts of the appliance.

Warning and Safety instructions

- ▶ Risk of fire and explosion! Do not store any explosive materials or products containing flammable propellants (e.g. spray cans) in the refrigeration appliance. Electrical components can cause flammable mixes of gases to ignite.
- ▶ Danger of explosion! Do not operate any electrical equipment (e.g. an electric ice cream maker) inside the appliance. Danger of sparking and explosion.
- ▶ Food stored for too long may present a risk of food poisoning. Storage times will depend on several factors, including the freshness and quality of the food, as well as the temperature at which it is stored. Follow the instructions given on the food manufacturer's packaging regarding storage conditions and use-by dates.

Accessories and spare parts

- ▶ Only use original Miele accessories. Using spare parts or accessories from other manufacturers will invalidate the warranty, and Miele cannot accept liability.
- ▶ Miele will guarantee to supply functional spare parts for a minimum of 10 years and up to 15 years following the discontinuation of your refrigeration appliance.

Cleaning and care

- ▶ Do not use any oils or grease on the door seals, as these will cause the seals to deteriorate and become porous with time.
- ▶ Do not use a steam cleaning appliance to clean this appliance. Steam could reach the electrical components and cause a short circuit.
- ▶ Warning. Do not use any mechanical tools or other types of aid which are not recommended by the manufacturer to accelerate the defrosting process.
- ▶ Sharp edged or pointed objects will damage the evaporator, causing irreversible damage to the appliance. Do not use sharp edged or pointed objects to
 - remove frost and ice, or accelerate the defrosting process,
 - separate frozen foods and remove ice trays.
- ▶ Never place electric heaters or candles in the appliance to defrost it. These can damage the plastic parts.
- ▶ Do not use defrosting sprays or de-icers, as they might contain substances which could damage the plastic parts or which could cause a build-up of gases and pose a danger to health.

Warning and Safety instructions

Transport

- ▶ To avoid damage to the appliance, always transport it upright and in its packaging.
- ▶ Risk of injury and damage! The refrigeration appliance is very heavy and must be transported by two people.

Disposal of your old appliance

- ▶ Children playing could become trapped in the refrigeration appliance and could suffocate.
 - Remove the appliance door(s).
 - Remove the drawers.
 - Leave the adjustable shelves in the refrigeration appliance so children cannot climb inside.
 - If your old refrigeration appliance has a door lock, destroy it. This way you will prevent the risk of playing children accidentally locking themselves in and endangering their lives.
- ▶ Risk of electric shock!
 - Cut the power plug off the mains connection cable.
 - Cut the mains connection cable off the old appliance.
- ▶ Dispose of everything separately from the old appliance.
- ▶ During and after disposal, make sure that the refrigeration appliance is not placed near petrol or other flammable gases and liquids.
- ▶ Risk of fire due to escaping oil or refrigerant!

The refrigerant and oil inside the appliance are flammable. In high enough concentrations, escaping refrigerant or oil may ignite if they come into contact with an external heat source.

During disposal, make sure that the cooling circuit is not damaged in order to prevent refrigerant and oil escaping in an uncontrolled manner (see the data plate for details of the refrigerant).

Warning and Safety instructions

- ▶ Splashes of coolant can damage the eyes. Be careful not to damage any part of the pipework whilst awaiting disposal, e.g. by
 - puncturing the refrigerant channels in the condenser,
 - bending any pipework, or
 - scratching the surface coating.

Caring for the environment

Disposal of the packing material

The transport and protective packaging has been selected from materials which are environmentally friendly for disposal, and can normally be recycled.

Recycling the packaging reduces the use of raw materials in the manufacturing process and also reduces the amount of waste in landfill sites. Ensure that any plastic wrappings, bags etc. are disposed of safely and kept out of the reach of babies and young children. Danger of suffocation.

Disposing of your old appliance

Electrical and electronic appliances contain many valuable materials. They also contain certain materials, compounds, and components which were essential for their correct functioning and safety. These could be hazardous to human health and to the environment if disposed of with general waste or if handled incorrectly. Please do not, therefore, dispose of your old appliance with your household waste.



Take care not to damage your refrigeration appliance before or during disposal in an authorised, environmentally friendly manner. This is to ensure that refrigerant in the cooling circuit and oil in the compressor is contained, and will not leak into the environment.

Please dispose of it at your local community waste collection/recycling centre for electrical and electronic appliances, or contact Miele. You are also responsible for deleting any personal data that may be stored on the appliance prior to disposal. You should remove any old batteries which are not securely enclosed by the appliance and remove any lamps without destroying them, where this is possible. These must be taken to a suitable collection point where they can be handed in free of charge. Please ensure that your old appliance presents no danger to children while being stored awaiting disposal.

Location

This appliance should be installed in a dry, well-ventilated room.

When deciding where to install your refrigerator, please bear in mind that it will use more energy if installed near a heater, cooktop or other appliance that gives off heat. Direct sunlight should also be avoided.

The higher the room temperature, the longer the compressor will run and the higher the energy consumption will be.

Please note the following when installing the appliance:

- The mains socket must not be located directly behind the appliance and must be easily accessible.
- The plug and the power cable must not touch the rear of the refrigeration appliance as they could be damaged by vibrations from the appliance.
- Nor should other appliances be plugged into a socket located directly behind this appliance.

If installation near a heat source is unavoidable, observe the following minimum distances between the appliance and the heat source:

- at least 3 cm to electric or gas stoves
- at least 30 cm to oil or coal stoves.

If it is not possible to observe these minimum distances, an insulation plate must be installed between the refrigeration appliance and the heat source.


Climate range

This refrigeration appliance is designed for use within specific ambient temperatures (climate range). Do not use it in ambient temperatures for which it is not designed. The climate class is stated on the data plate inside the refrigeration appliance.

Climate range	Ambient temperature
SN	+10 to +32 °C
N	+16 to +32 °C
ST	+16 to +38 °C
T	+16 to +43 °C

A lower ambient temperature leads to the compressor switching off for longer periods. This can cause the internal temperature in the appliance to rise with the risk of food deteriorating and going off.

Installation


 Risk of damage due to high humidity.

In environments with high humidity, condensation can build up on external appliance panels, which can cause corrosion.

Install the refrigeration appliance in a dry and/or air-conditioned room with sufficient ventilation.

After installation, make sure that the appliance door closes properly, the ventilation gaps are not covered and that the refrigeration appliance has been installed in accordance with the operating and installation instructions.

Installation notes

 Danger of damage and injury due to the appliance tipping over!

This refrigeration appliance is very heavy and can tip forwards when the door(s) is/are open.

Keep the appliance door(s) shut until the appliance has been built in and secured in its housing in accordance with these operating and installation instructions.

Due to the size and weight of the appliance, installation must be carried out by two people.

Adjoining cabinets/units

The appliance is screwed to the adjoining cabinets/units to the side and above. For this reason, it is essential that all cabinets/units are fixed to the ground or wall.

Load-bearing capacity of the niche floor

To ensure the safe installation of the appliance and to guarantee its correct functioning, the floor of the niche where the appliance is to be installed must be smooth and even.


It must be made from strong, rigid material.

Because the appliance is extremely heavy when fully loaded, it is essential that the floor it stands on is able to bear its weight. If necessary, seek the advice of an architect or construction expert.

When fully loaded, the approx. weight of the appliance is:

K 2601 Vi	325 kg
K 2802 Vi	380 kg

Ventilation

 Risk of fire and damage due to insufficient ventilation.


If the refrigeration appliance is not ventilated sufficiently, the compressor will run more frequently and for longer periods.

This will result in increased energy consumption and a higher operating temperature of the compressor. This, in turn, can result in damage to the compressor.

Please ensure that there is adequate ventilation around the appliance.

It is essential to observe the required ventilation gaps. The ventilation gaps must not be covered or blocked in any way.

Door hinging

 Risk of damage and injury when changing the door hinge.

Changing the door hinge single-handedly can cause damage to the appliance and injury.

The appliance is supplied with fixed hinges. Under no circumstances should you attempt to change the door hinging yourself.

If you need to change the door hinges to the other side, please contact Miele customer service.

Installation

Side-by-side units

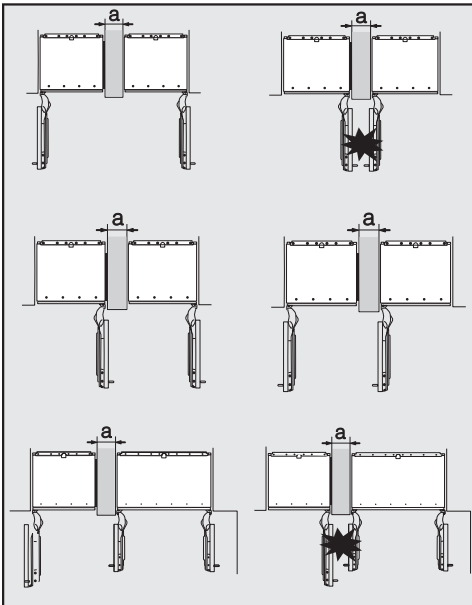
This appliance can be installed side by side with another refrigeration appliance. The following overview will show you which side-by-side installation options you have with your refrigeration appliance.

Depending on the installation situation, you may need the side-by-side installation kit (see “Accessories - Optional accessories”).

Instructions for installing appliances side by side can be found in the side-by-side installation kit installation instructions.

... with partition wall

The wall **a** between the side-by-side refrigeration appliances must be **at least 16 mm thick**.



If the door hinges of the appliances are next to each other, you must take into account the thickness of the cabinet fronts and door handles so that the appliance doors do not collide and become damaged if they are opened at the same time.

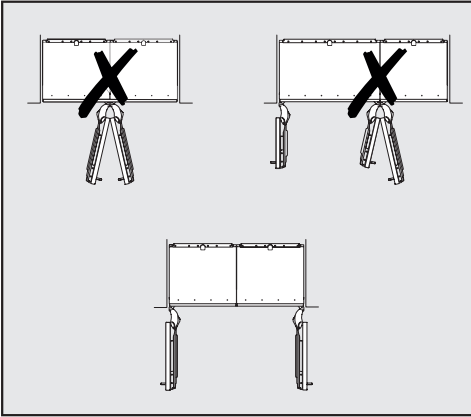
The appliances are secured individually in their niche using the supplied installation material.

If the partition wall **a** is **between 16 mm and 160 mm**, you will need the side panel heater from the side-by-side installation kit to prevent condensation from forming and any resulting damage.

When planning installation niches, please note that the niche into which the refrigeration appliance with the side panel heater is installed must be **4 mm wider** (see “Installation – Installation dimensions”).

If the partition wall **a** is **thicker than 160 mm**, you do not need the side-by-side installation kit, nor the side panel heater.

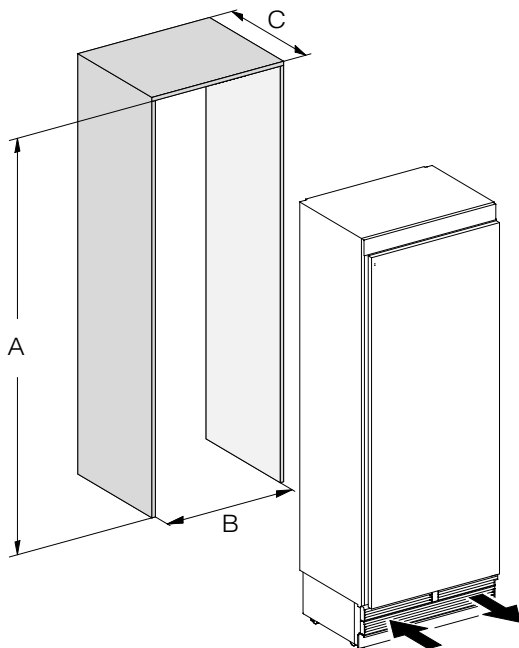
... without partition wall



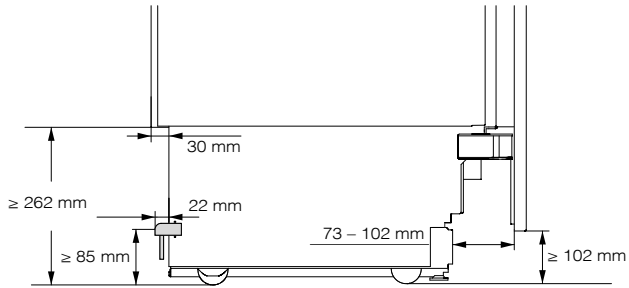
If the appliances are to be installed next to each other without a partition wall between them, they will need to be joined together with the side-by-side installation kit. In addition, you must install the side panel heater to prevent condensation from forming and any resulting damage.

Installation

Installation dimensions



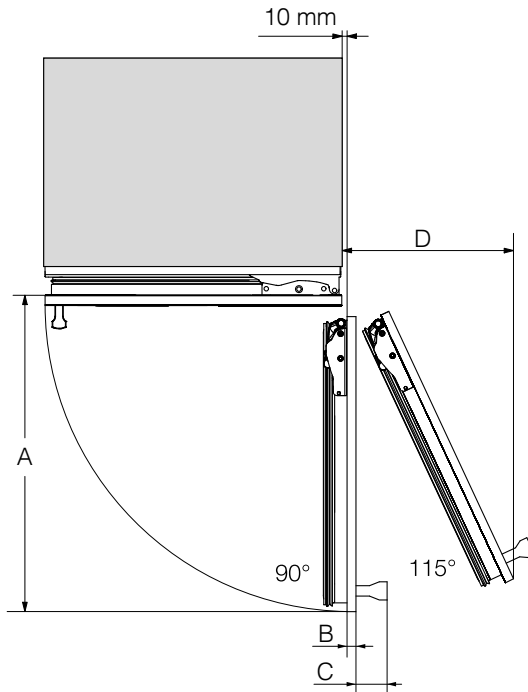
	A	B	C
K 2601 Vi	2134–2164 mm	610 mm	610 mm + furniture front (19–38 mm)
K 2802 Vi	2134–2164 mm	762 mm	610 mm + furniture front (19–38 mm)



Side view

Installation

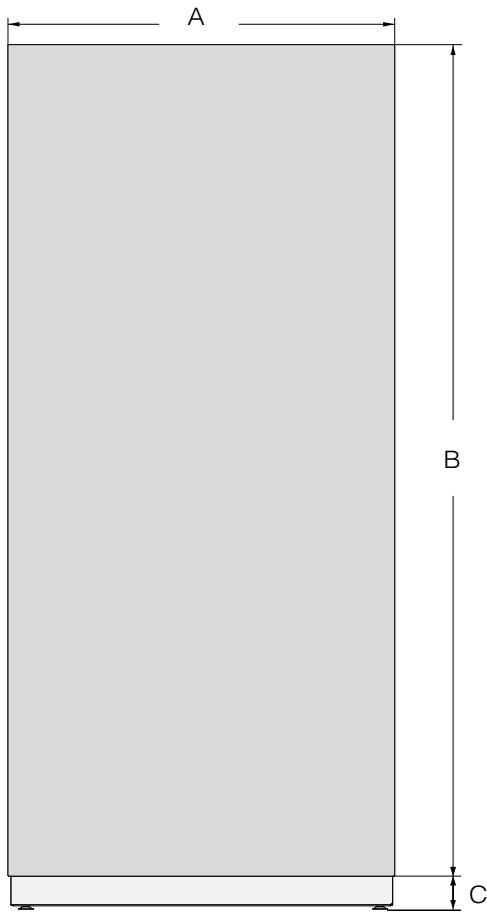
Dimensions when the appliance door is open (opening angle 90°/115°)



	A	B*	C*	D (with a furniture front of 19 mm)
K 2601 Vi	677 mm	Furniture front (19–38 mm)	Handle	296 mm
K 2802 Vi	829 mm	Furniture front (19–38 mm)	Handle	363 mm

* The dimensions of the furniture front and the door handle vary depending on the design of the kitchen.

Dimensions of the furniture front



	A	B	C
K 2601 Vi	604 mm	2029 mm	≥ 102–132 mm
K 2802 Vi	756 mm	2029 mm	≥ 102–132 mm

Installation

Installing the appliance

Before you start

It is essential to read these operating and installation instructions carefully before starting to install the appliance.

The refrigeration appliance should be installed by a suitably qualified and competent installer in accordance with these operating and installation instructions. Safe operation of the appliance is only assured if it has been installed and connected in accordance with these operating and installation instructions.



Danger of damage and injury due to the appliance tipping over!

This appliance is very heavy and can tip forwards when the door is open.

Keep the appliance door shut until the appliance has been built in and secured in its niche in accordance with these operating and installation instructions.

Due to the size and weight of the appliance, installation **must be carried out by two people.**

Tools required

- Cordless drill
- TX 20 screwdriver
- Hammer drill
- Drill bits in various sizes, depending on materials
- Hammer
- Open-end spanner
- Ratchet wrench, attachment: 8 mm socket
- Adhesive tape
- Utility knife
- Pipe wrench
- Spirit level
- Tape measure
- Pencil
- Try square


Other

- Step ladder
- Hand trolley

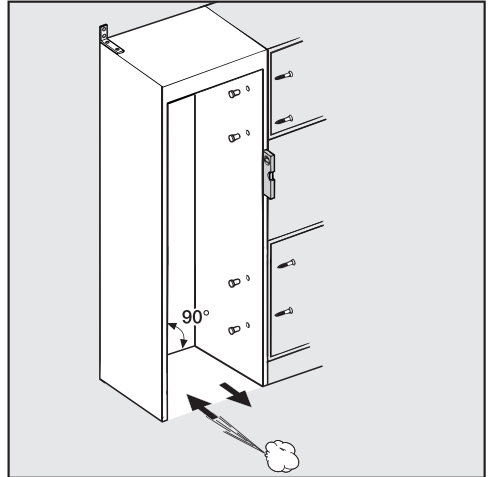
Weight of furniture front

Before fitting a furniture front, ensure that its weight does not exceed the maximum permitted weight.

Appliance	Max. weight of furniture front
K 2601 Vi	48 kg
K 2802 Vi	27 kg

 Risk of damage due to a furniture front that is too heavy. Fitting a furniture front which is heavier than the maximum permitted weight could damage the hinges. Among other things, this damage can lead to functional impairments. Before fitting a furniture front, ensure that its weight does not exceed the maximum permitted weight.

Aligning the installation niche



The installation niche must be carefully aligned using a spirit level before installing the appliance. The niche corners must be at 90° angles to each other, otherwise the furniture panels will not sit straight on all four corners of the installation niche.

Installation

Checking the installation niche

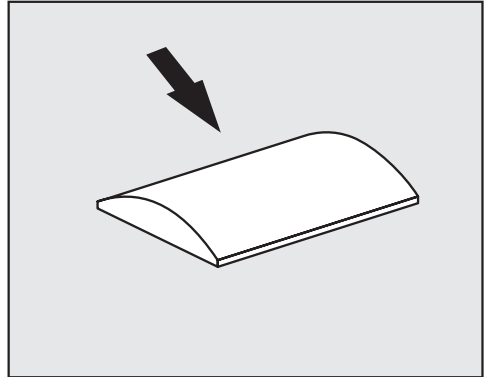
- Check the installation dimensions (see “Installation - Installation dimensions”).
- Check the position of the electrical connection. The length of the electrical connection cable is 3 m.


The electrical socket must not be concealed behind the appliance and must be easily accessible in an emergency.

- Check the surroundings for possible collisions (see “Installation dimensions - Dimensions with appliance door open”).
- Install the appliance in a stable, solid installation niche, positioned on an even and level floor.
- Also check the installation niche for the following criteria:
 - The side panels of the installation niche must be even.
 - The surrounding walls of the niche must be at least 16 mm thick.
 - The surrounding walls must be securely fixed to the floor or wall.
 - Shortened side walls must be at least 100 mm thick.

Before installation

- Before installation, remove any accessories from the back of the appliance.



 Risk of damage due to insufficient ventilation.

If the refrigeration appliance is not sufficiently ventilated, this may cause mould to form and, in the long term, lead to damage to the outside of the refrigeration appliance and in the installation niche.

Do not remove the spacers from the outside of the appliance under any circumstances.

Do not compress the spacers under any circumstances.

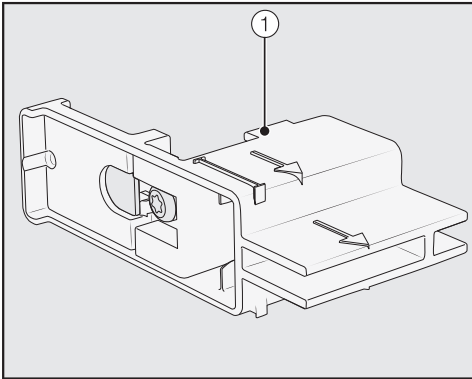
The spacers guarantee the necessary distance between the refrigeration appliance and the installation niche.

- Check the refrigeration appliance for transport damage.

Do not install a damaged refrigeration appliance.

- Check that all parts at the back of the appliance are unhindered.

- To protect the floor when installing the appliance, secure an off-cut of flooring (e.g. linoleum) or similar material to the floor in front of the installation area.

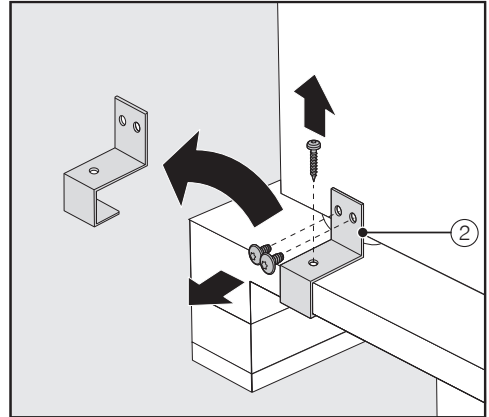


- Do **not** remove the installation aids ① from the appliance door. These will be required later for aligning the appliance in the building-in niche.

⚠ Danger of damage and injury due to the appliance tipping over!

As soon as you unscrew the brackets that fix the refrigeration appliance to the pallet, the appliance is no longer secured.

Due to its weight and size, the refrigeration appliance **must be installed by two people**.



- Unscrew the fixing brackets ②.
- With the help of several people as required, carefully lift the appliance from the pallet, starting with the back of the appliance.

⚠ Risk of damaging the floor due to the load.

Moving the refrigeration appliance may damage your floor.

Move the appliance carefully on floors that are sensitive to scratching.

As soon as you have set the appliance upright, you can move it using the rollers on the bottom.

Installation

Preparing the installation niche

⚠ Danger of damage and injury due to the appliance tipping over! This refrigeration appliance is very heavy and can tip forwards when the door is open.

The housing unit must be secured to the wall behind it and/or above it with several screws. Only this will prevent the appliance from tipping over after being installed.

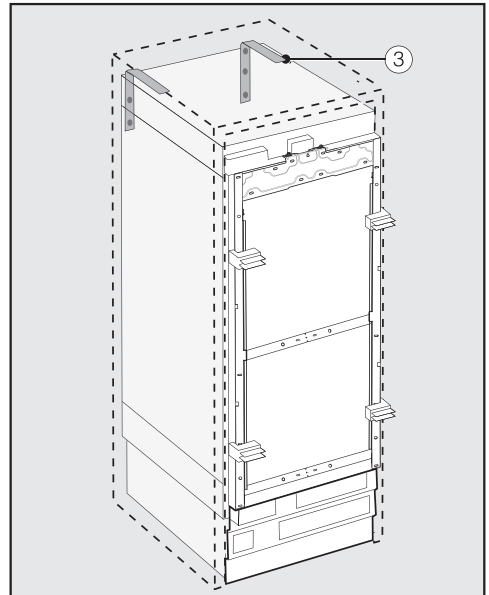
In addition, use the anti-tip brackets provided to secure the housing unit.

The parts required for installation of the appliance are supplied with the appliance. The plastic bags supplied are marked with letters for easy identification.

- Please take note of these letters during the individual assembly steps and use the applicable plastic bag with the required installation material.

The anti-tip brackets prevent the refrigeration appliance from tipping.

The anti-tip brackets are also used to fix the housing unit securely to the surrounding walls.



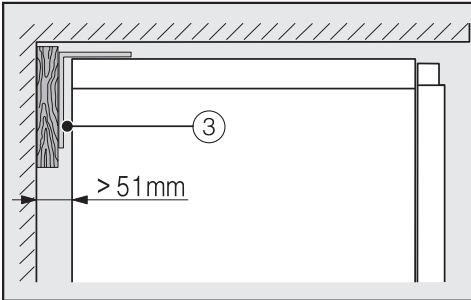
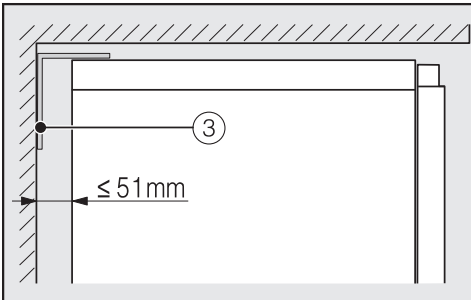
- Use 2 anti-tip brackets ③ for each individual appliance or 4 anti-tip brackets for each (side-by-side) combination of 2 appliances.
- Position the anti-tip brackets ③ on the left and right side of the installation niche.

Depending on the subsequent adjustment of the feet, the anti-tip brackets are positioned 2134–2164 mm from the floor of the niche.

⚠ Risk of injury and damage due to the refrigeration appliance tipping over.

If the anti-tip brackets are fixed too high, they cannot be used to secure the refrigeration appliance.

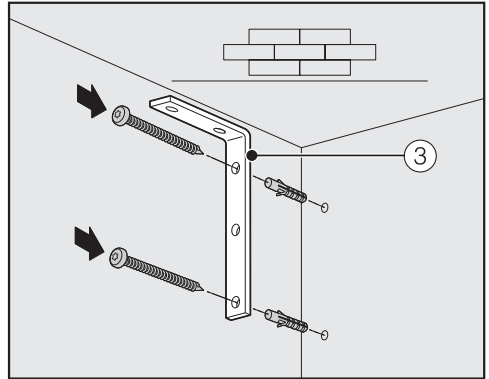
The height between the anti-tip brackets and the top of the refrigeration appliance must not exceed 8 mm.



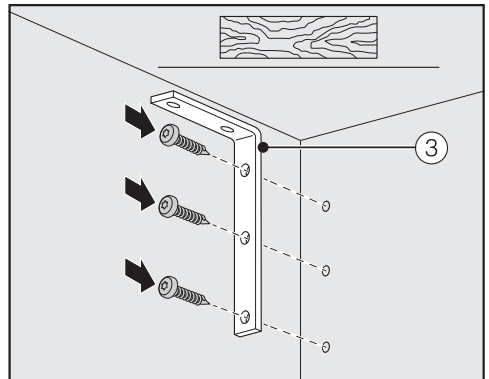
- Make sure that the gap between the refrigeration appliance's rear wall and the installation niche does not exceed 51 mm.
- Place a wooden wedge behind the anti-tip brackets ③ if necessary.
- While holding the anti-tip brackets in place, mark the drill holes on the rear wall of the installation niche.



The accessory pack supplied contains fastening screws for various applications/materials:

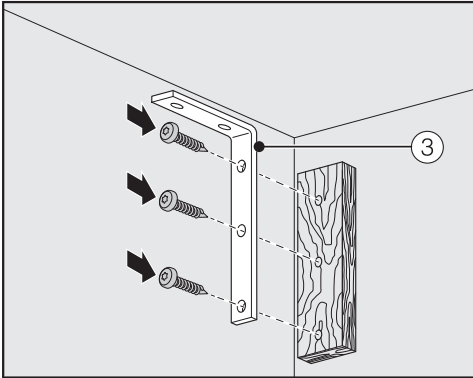


Securing to a concrete wall



Securing to a wooden wall

Installation



Securing with a wooden wedge

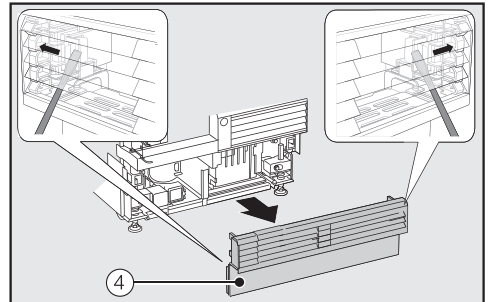
- Secure the housing unit to the wall behind it and/or above it as required using the anti-tip brackets ③.

Pushing the appliance into the niche

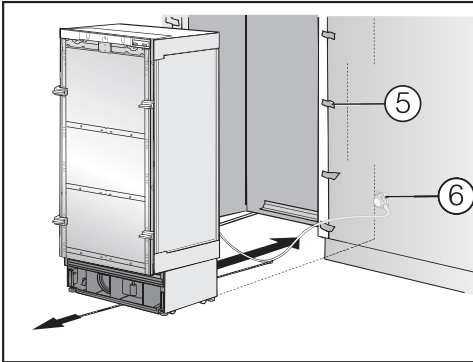
Take care not to damage the electrical connection when pushing the refrigeration appliance into the installation niche.

If you are installing several refrigeration appliances side by side, secure the appliances to one another now (see the instructions for the side-by-side installation kit).

- To ensure that the refrigeration appliance can then be aligned correctly, the plinth ventilation grille must be removed from the appliance plinth:



- Carefully guide a flat-head screwdriver through the plinth ventilation grille ④ on both sides and use it to push the internal plastic latches outwards to release the plinth ventilation grille.
- Place the plinth ventilation grille to one side.



- Affix edge protection ⑤ to the adjacent furniture fronts.
- Insert the plug connector at the back of the appliance (see "Installation - Electrical connection").
- Insert the plug ⑥ into the electrical socket.

The electrical socket should not be concealed behind the appliance and must be easily accessible in an emergency.

⚠ Do not locate multiple portable socket-outlets or portable power supplies at the rear of the appliance.

⚠ Risk of damage due to electrical overload.

If the refrigeration appliance is electrically overloaded, this can cause a short circuit and thus damage your appliance.

When you install appliances side by side, each refrigeration appliance must have its own separate electrical socket.

Useful tip: Secure the mains connection cable to prevent it becoming caught: tie a piece of string to the middle of the cable and as the refrigeration appliance is being pushed into the niche, pull the cable forward underneath the appliance.

- Carefully push the refrigeration appliance into the niche.

⚠ Ensure the cable is not trapped or damaged.

- If the refrigeration appliance cannot be pushed into the niche (because the floor is uneven, for example), unscrew the rear feet slightly (see "Installation - Aligning the appliance") and slide the appliance into the niche.
- Remove the edge protection ⑤ from the adjacent furniture fronts.

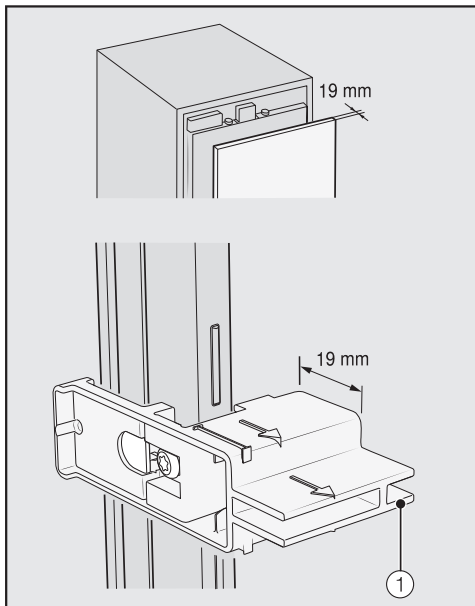
Installation

Aligning the appliance

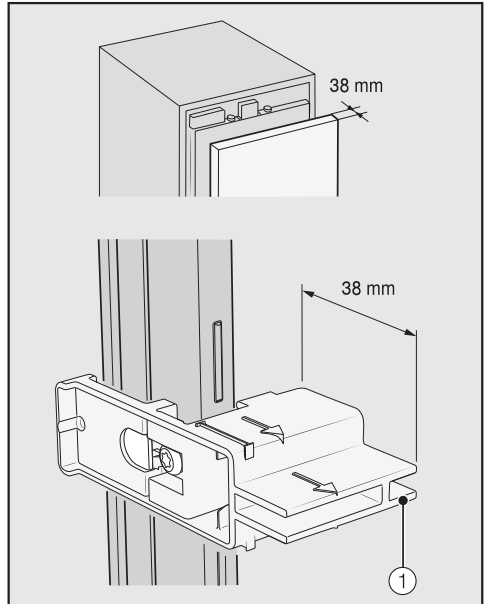
The installation aids ① on the appliance door provide assistance with the alignment of the refrigeration appliance in the installation niche.

The installation aids are suitable for a furniture front thickness of 19 mm or 38 mm.

- Align the appliance with adjacent furniture fronts as described below.



Furniture front thickness of 19 mm



Furniture front thickness of 38 mm

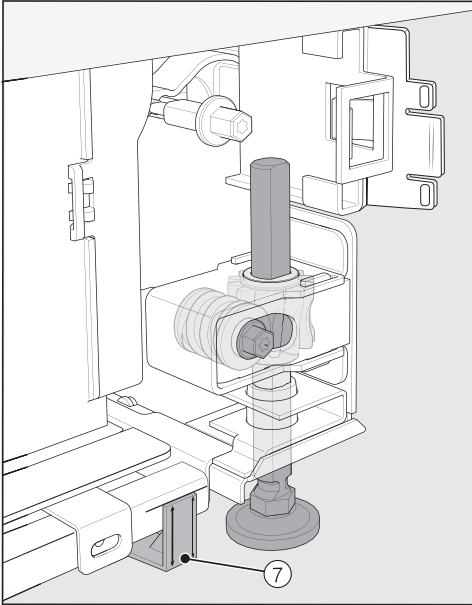
The front and rear feet are height-adjustable and can all be adjusted from the front of the appliance.

⚠ Risk of damage due to incorrect adjustment of the feet.

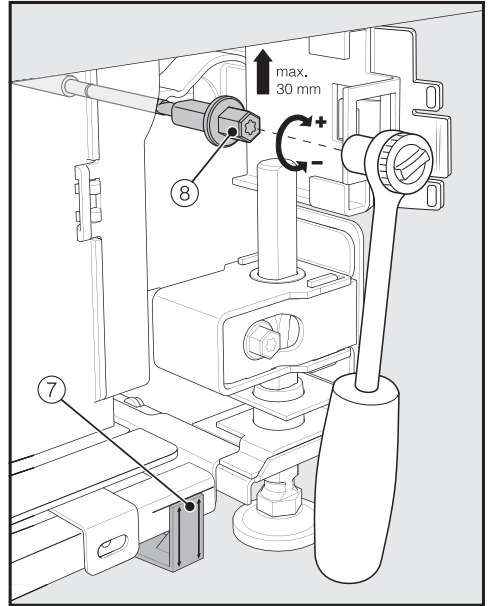
The foot adjustment can be damaged by using an electric screwdriver.

Always adjust the front and rear feet by hand.

A

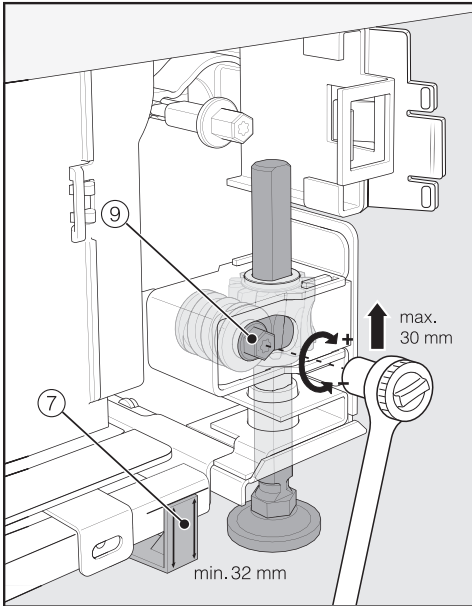


- Position the spacers (7) supplied on both sides at the markings next to the adjustable feet in front of the appliance.



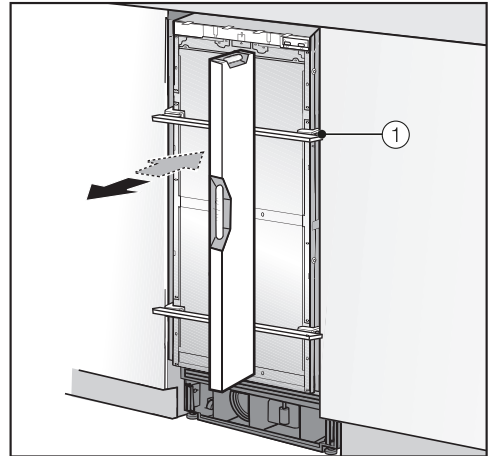
- Adjust the rear feet with a ratchet (attachment: 8 mm socket) or a TX 20 screwdriver (8).

Installation



- Adjust the front feet with a ratchet (attachment: 8 mm socket) or a TX 20 screwdriver (9).

Useful tip: Proceed carefully when adjusting the feet, alternating between the left and right feet.



- Place a spirit level across the installation aids (1) on the appliance door to check the appliance's alignment.
- Unscrew the feet (8) and (9) on both sides at least until the marking on the base has reached the minimum specified distance of 32 mm on the spacer (7). The standard dimension of 32 mm relates to a niche height of 2134 mm.

It is important to adjust the feet to a height of at least 32 mm in order to ensure the ventilation of the refrigeration appliance via the base.

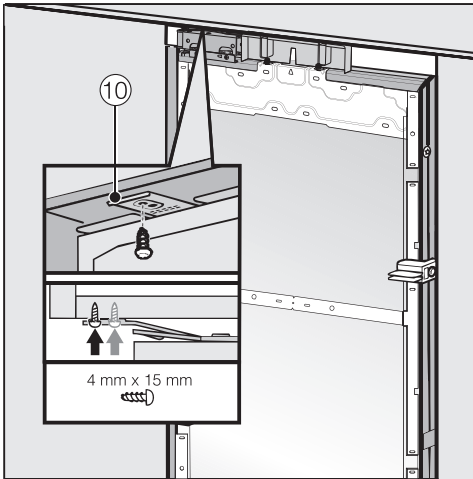
⚠ Risk of damage if the feet are adjusted too much.

The rear adjustable feet can be damaged.

Unscrew the feet **only until** the marking on the plinth is aligned to a maximum of 62 mm (max. niche height of 2164 mm).

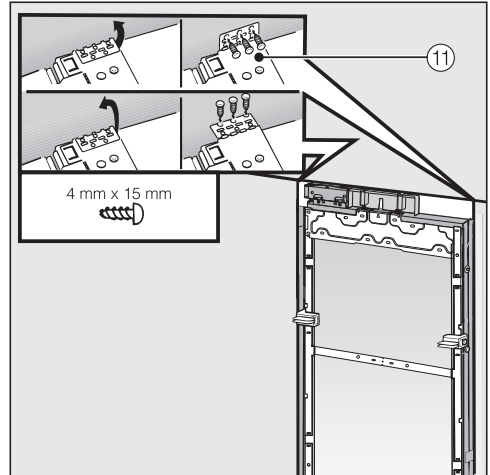
- Check the alignment of the appliance again using the installation aids ① and the spirit level.

Securing the appliance in the niche



- Screw the lugs of the fixing plate ⑩ into the cabinets/units above the appliance.

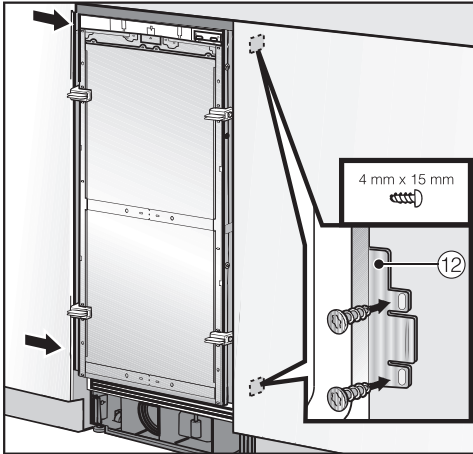
If it is not possible to secure the appliance at the top, it can be attached to the niche with the side mounting brackets:



- Fold out the side mounting brackets ⑪.
- Secure the side mounting brackets ⑪ with the screws provided.

Installation

- Open the appliance door.

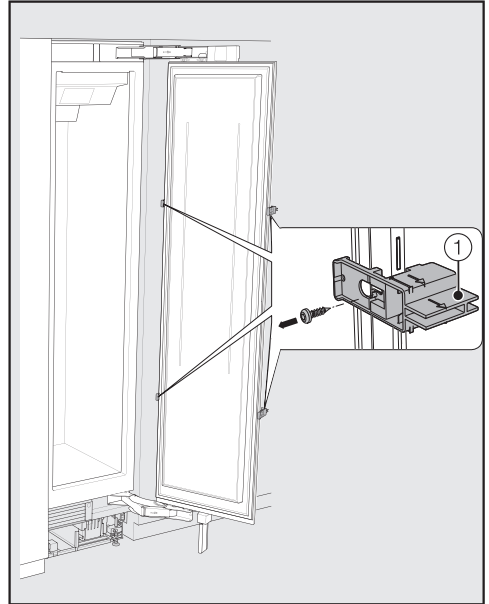


- Screw the lugs of the mounting plate ⑫ at the top and bottom to the cabinets/units adjacent to the appliance.

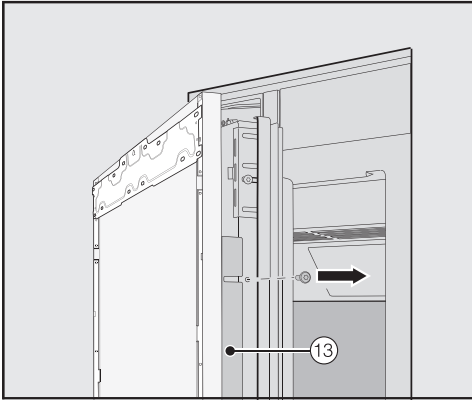
In a side-by-side combination, only the external panels of the two appliances can be secured to the adjacent cabinets/units.

Preparing to install the furniture fronts

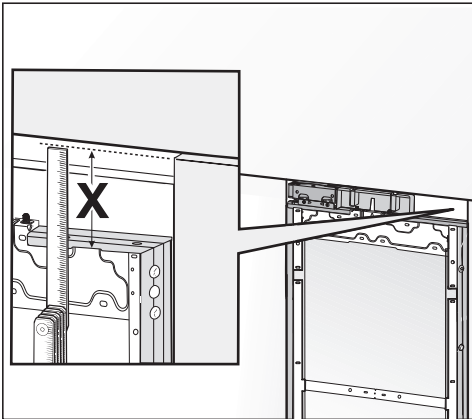
- Open the appliance door as far as it will go.



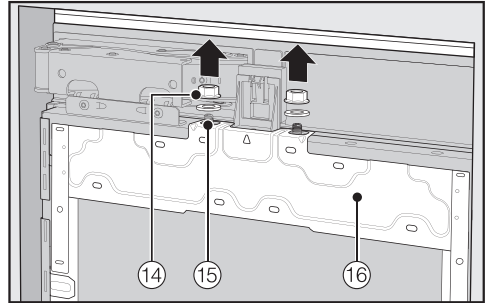
- Unscrew the installation aids ① from the appliance door.



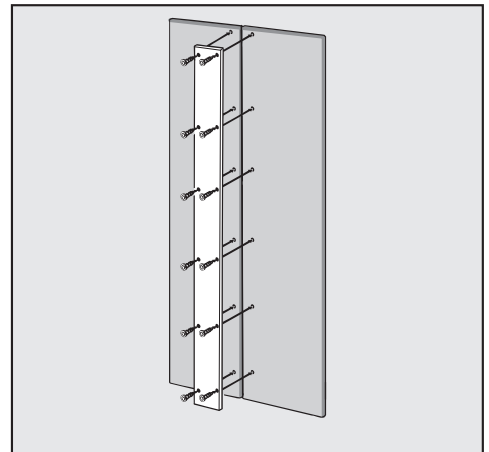
- Unscrew the angle bars ⑬ from both sides of the appliance door and keep the bars and screws in a safe place – they will be required later.
- Close the appliance door.



- Measure the gap X between the mounting frame and the upper edge of the adjacent furniture front.

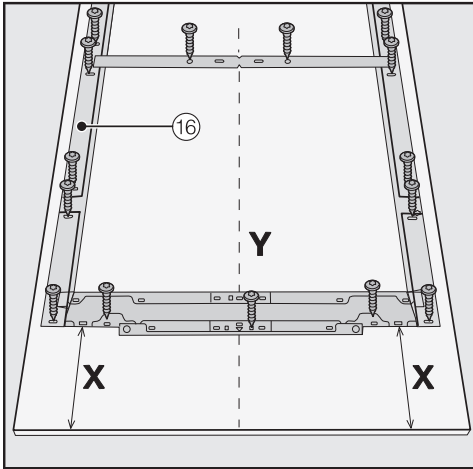


- Remove the nuts and washers ⑭ from the threaded bolts ⑮ and store them in a safe place – they will be required later.
- Take the mounting frame ⑯ off the appliance door by removing it upwards.



- For cassette fronts: When fixing the metal panel to the furniture front, be sure to pay attention to the length of the screws.

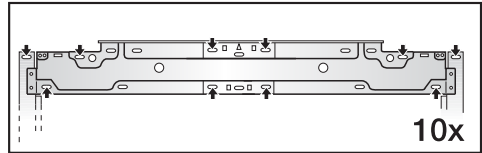
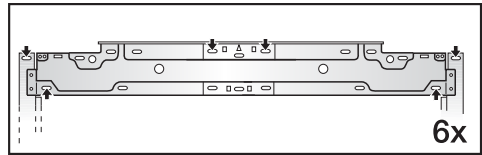
Installation



- Place the furniture front on a firm surface with the inside facing upwards (to avoid scratches, place a blanket underneath).
- Mark the distance **X** -3 mm on the inner side of the furniture front.
- Also locate and mark the centre point **Y** on the furniture front.
- Position the mounting frame **16** according to the markings on the furniture front.
- Pre-drill the holes.



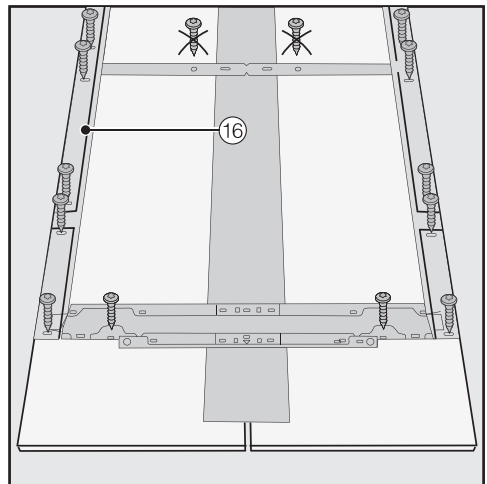
- Screw the mounting frame **16** to the furniture front:
Use at least one screw for each retaining point on the mounting frame **16**.



- Secure the mounting frame **16** to the top of the furniture front, using 6 to 10 screws depending on the size.

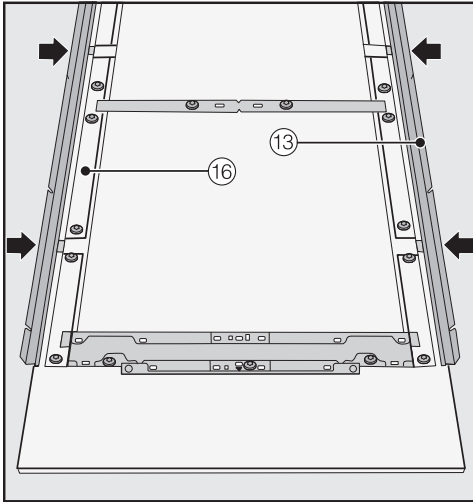
The mounting frame has several different types of holes to take account of a variety of furniture fronts.

When securing the frame, always screw into the strongest part of the furniture front. To do this, select screws which are slightly shorter than the thickness of the furniture front.



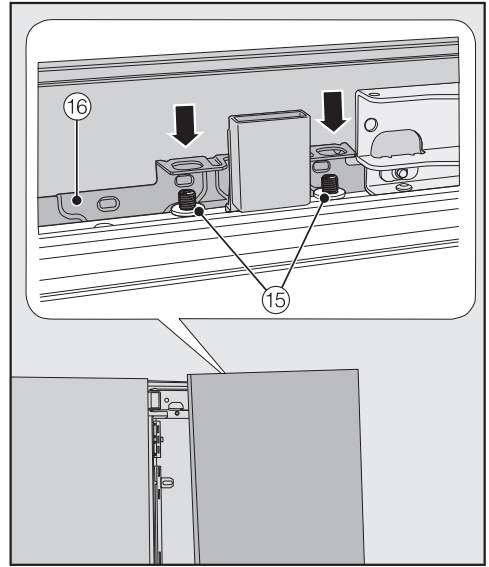
- For cassette fronts: Secure the mounting frame **16** to the outer frame only with the screws.

- Screw the appliance handle to the furniture front from the inside if necessary (not for handle-free kitchens).



- Now insert the angle bars ⑬ on both sides as far as they will go into the provided spaces in the mounting frame ⑯.

Securing and aligning the furniture front



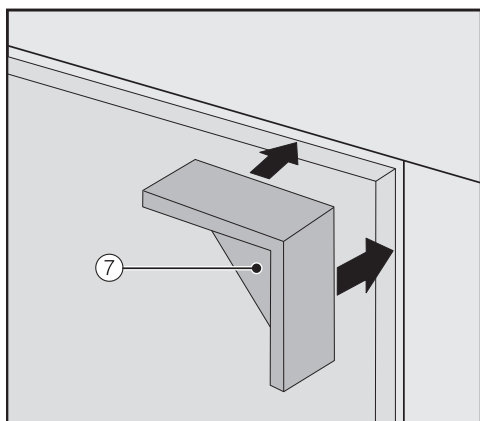
- Open the appliance door and hang the furniture front with its mounting frame ⑯ onto the threaded bolts ⑮.

Installation

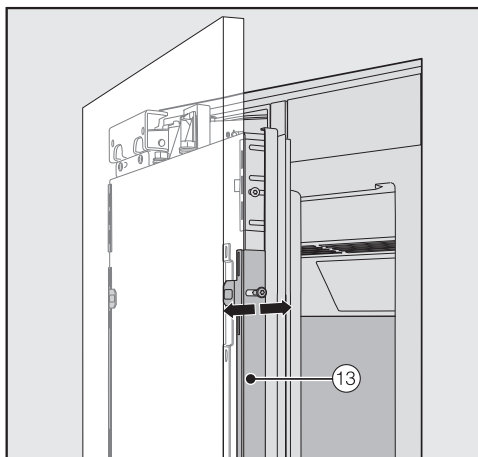
E



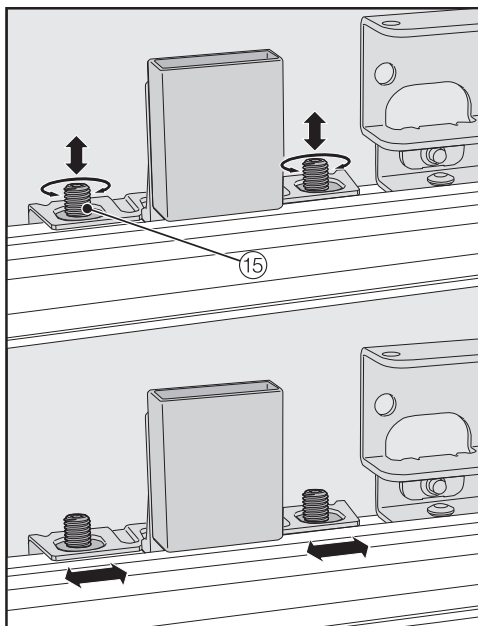
- Press the angle bars ⑬ into the white plastic frame on both sides and screw them on loosely at first. Spare screws are provided in the plastic bag marked with the letter E.



- Place the spacers ⑦ on top of the corners of the furniture front on both sides.
- Close the appliance door and check the distance between the door and adjacent furniture fronts.

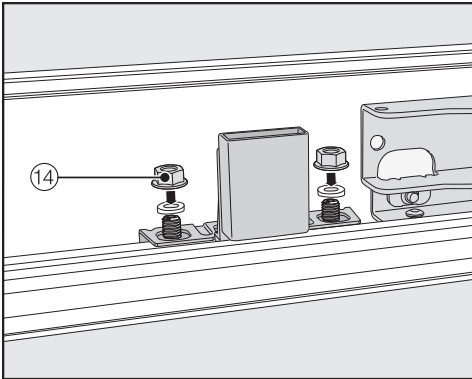


- Align the depth of the furniture front via the slots in the angle bars ⑬.

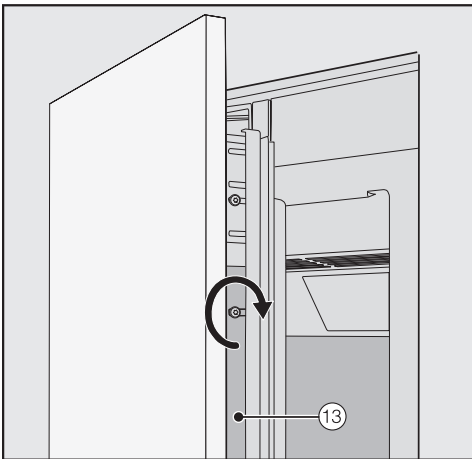


- Align the height and sides of the furniture front with the threaded bolts ⑮ using the TX 20 screwdriver.

- Close the appliance door and check the distance between the door and adjacent furniture fronts again.



- Place the washers and nuts ⑭ back in position and tighten the nuts ⑭.



- Tighten the screws in the angle bars ⑬.

The furniture front is now secured.

- Open the appliance door.
- Remove the spacers ⑦ from the furniture front.

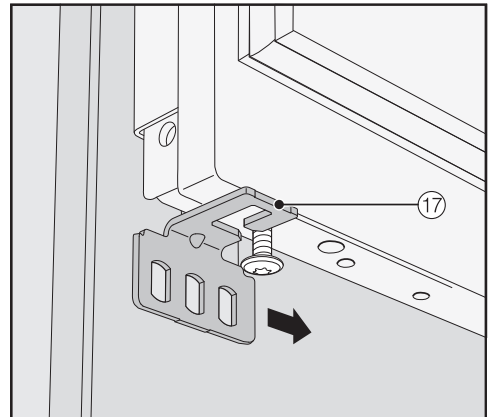
Fitting the mounting bracket



The mounting bracket is used to secure the furniture front to the bottom of the appliance door.

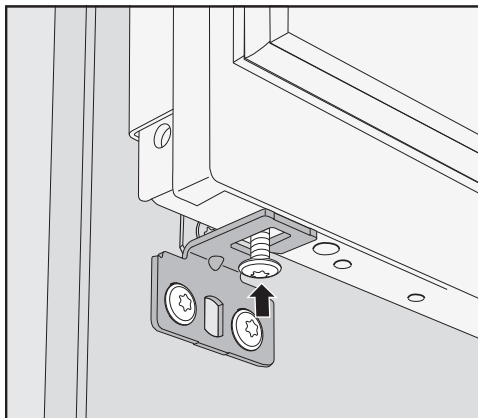
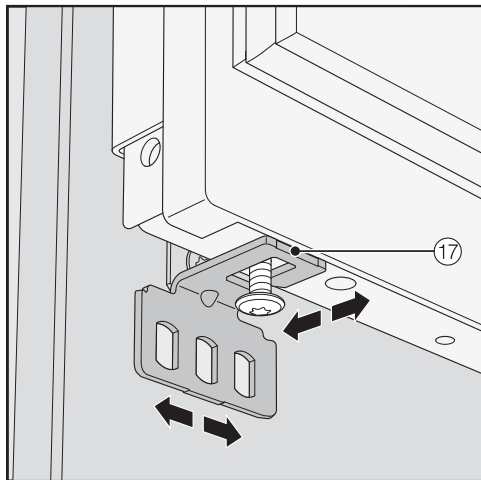
Do not fit the fixing bracket until the appliance (or side-by-side combination, if applicable) has been installed and the furniture front has been aligned.

- Open the appliance door as far as it will go.

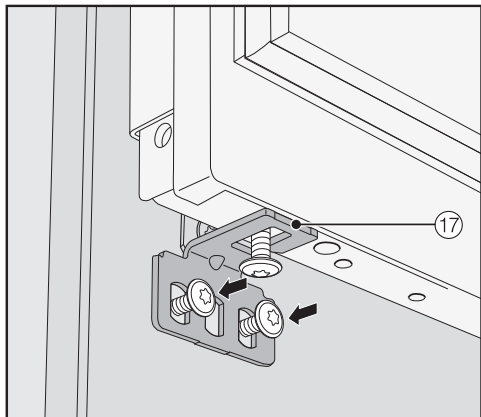


- Slide the fixing bracket ⑰ sideways onto the screw at the bottom of the appliance door.

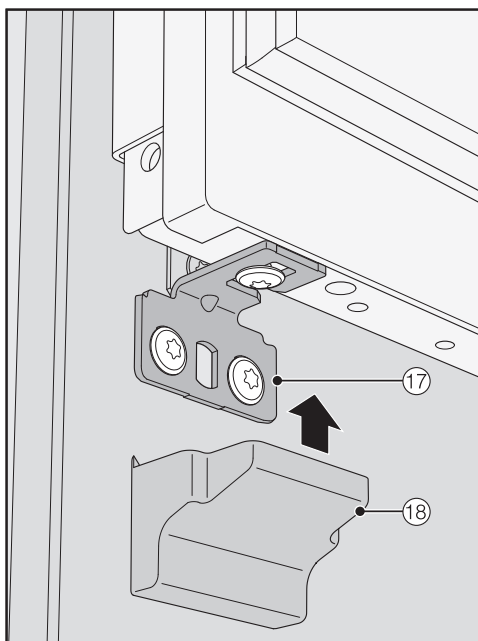
Installation



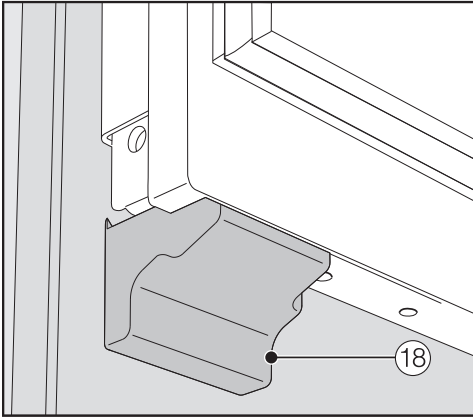
- Tighten the screw at the bottom of the appliance door.



- Screw the fixing bracket 17 securely to the furniture front.

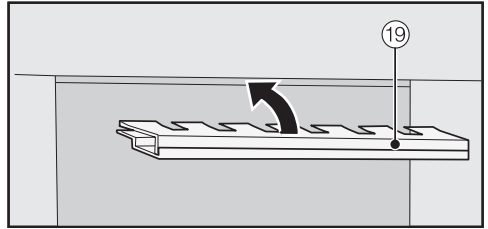


- Place the cover 18 on the fixing bracket 17.

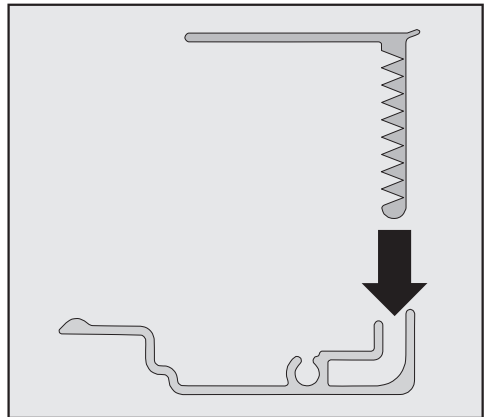


- Snap the cover ⑱ onto the fixing bracket so that it clicks into place.

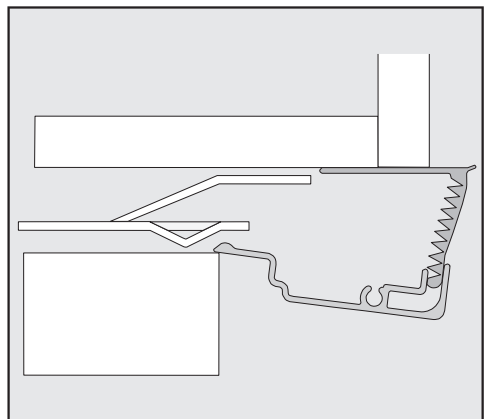
Securing the covers



- The top cover ⑱ must be assembled as follows before it can be fitted:

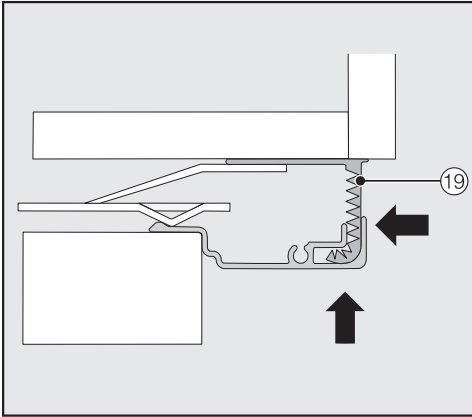


- Insert the two parts of the cover into one another.



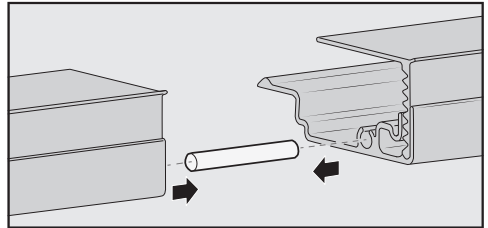
Cover viewed from the side

Installation

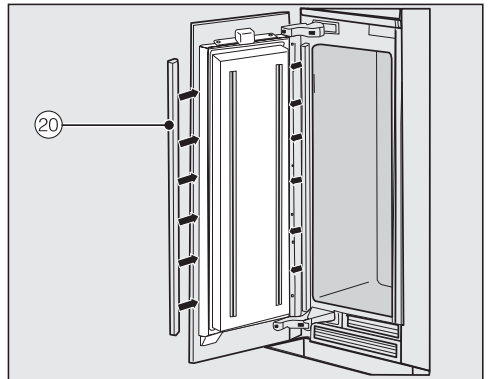


- Place the assembled cover ⑱ into the gap above the appliance so that it clicks into place. While doing so, slide both parts of the cover together as required.

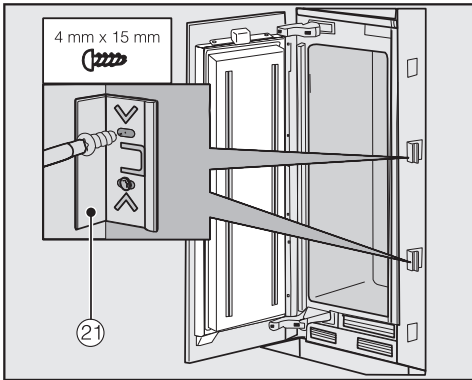
Fitting the cover in a side-by-side combination



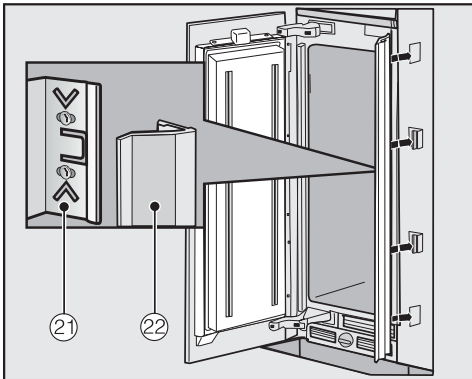
- Insert the joining peg (from the side-by-side installation kit) halfway into the guide in the cover for the left-hand appliance.
- Place the second cover onto the pin and press the two covers together.
- Place the two covers together in the niche above the appliances until they click into place.



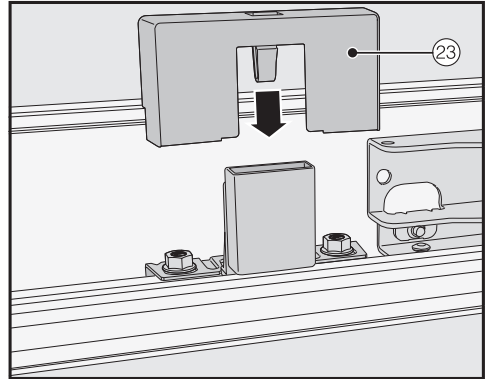
- Fit the plastic covers ⑳ on both sides of the appliance door by clicking them into the gap between the appliance door and the furniture door, starting at the bottom and working up to the top.



- Secure at least 3 clips (21) on both sides of the appliance for the gap covers.



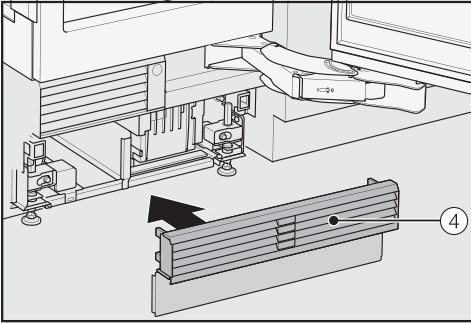
- Then attach the covers (22) onto the clips (21) on both sides.
With a side-by-side installation, the covers are only required on the outer sides.



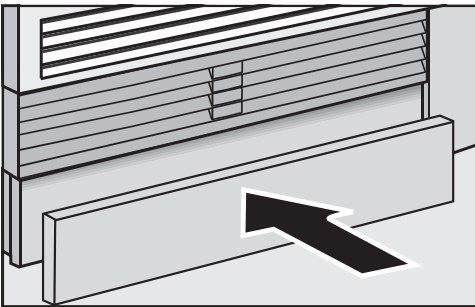
- Install the cover (23) onto the light contact switch.

Installation

Securing the plinth ventilation grille and plinth cover



- Click the plinth ventilation grille ④ onto the bottom of the appliance plinth.



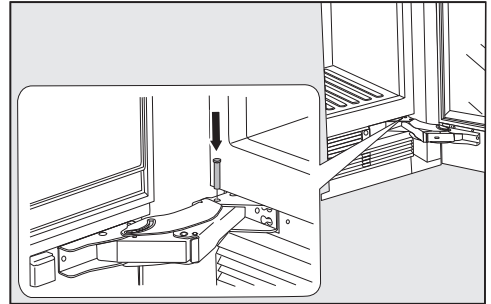
- If necessary, cut the plinth panel to the required length and height (cut along the lower edge of the plinth where it touches the floor).
- Secure the plinth cover to the bottom of the plinth ventilation grille.

Limiting the opening angle of the door



The door hinges are set at the factory to enable the door to be opened wide.

However, if the appliance door hits an adjacent wall, for example, when it is opened, you should limit the door opening angle to 90°.




- Open the appliance door.
- Insert the pin into the lower hinge from above.

The door opening angle is now limited to 90°.

Electrical connection

The refrigeration appliance must only be connected to an earthed socket using the connection cable supplied.

The socket should be easily accessible after the refrigeration appliance has been installed. If the socket is not easily accessible, ensure that a suitable means of disconnection is provided on the installation side for each pole.

 Risk of fire from overheating. Connecting the appliance to a multi-socket plug adapter or to an extension lead can overload the cable. For safety reasons, do not use an extension cable or multi-socket adapter.

All electrical work must be carried out by a suitably qualified and competent person in strict accordance with national and local safety regulations.

For safety reasons, we recommend using a suitable residual current device (RCD) in the relevant electrical installation for connecting the refrigeration appliance.

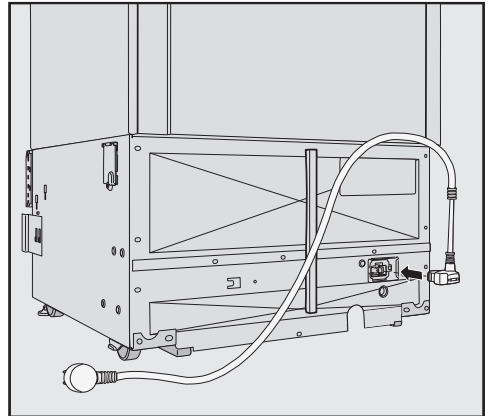
If the mains connection cable is damaged, it must only be replaced with a specific mains connection cable of the same type (available from Miele).

The data plate indicates the nominal power consumption and the connection data. Compare this information with the data of the on-site electrical connection. If in any doubt, consult a qualified electrician.

Temporary or permanent operation with a self-sufficient or non-mains synchronous energy supply system (e.g. isolated networks, back-up systems) is possible. A requirement for the operation is that the energy supply system complies with all current local and national requirements that apply to stand-alone, solar and/or battery systems.

The protective measures provided in the domestic installation and in this Miele product must also be assured in their function and operation in isolated operation or in non-mains synchronous operation, or replaced with equivalent measures in the installation.

Connecting the appliance



- Insert the plug connector into the back of the appliance.

Make sure that the plug connector has locked into position correctly.

- Insert the plug of the appliance into the socket and switch it on.

The appliance is now connected to the electricity supply.

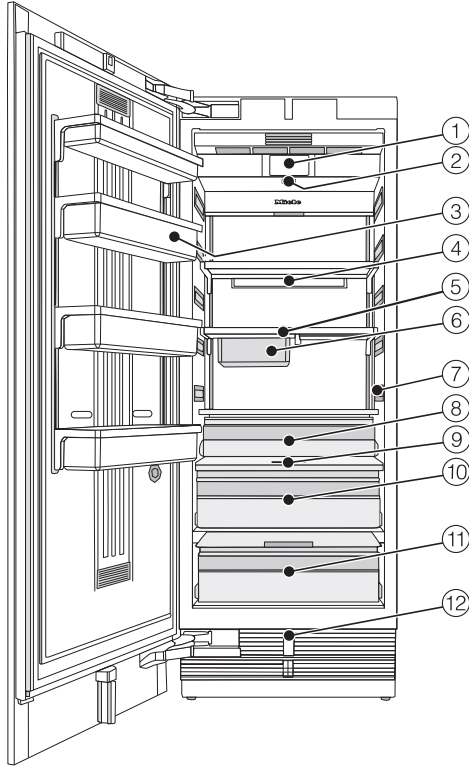
Saving energy

	Normal energy consumption	Increased energy consumption
Installation/ Maintenance	In a ventilated room.	In an enclosed, unventilated room.
	Protected from direct sunlight.	In direct sunlight.
	Not situated near a heat source (radiator, oven).	Situated near a heat source (radiator, oven).
	Where the ideal ambient room temperature is approx. 20 °C.	Where there is a high room temperature.
	Ventilation gaps kept uncovered and free of dust.	Where the ventilation gaps are covered or dusty.
Temperature settings	Refrigerator 4 to 5 °C	The lower the temperature in the appliance, the higher the energy consumption.
	Dry compartment in the MasterFresh zone approx. 0 °C.	

Saving energy

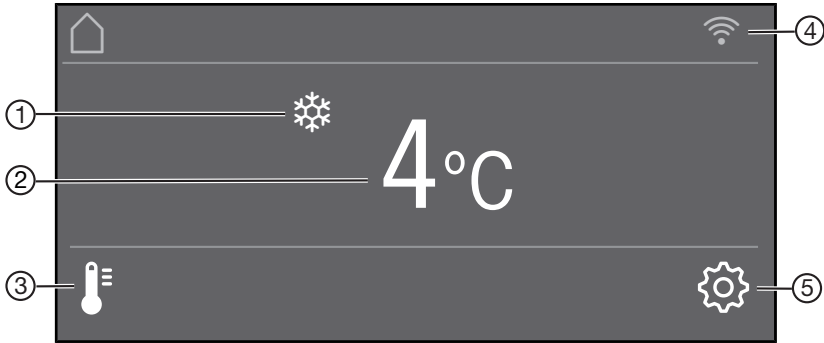
	Normal energy consumption	Increased energy consumption
Use	The drawers and shelves are arranged as they were when the appliance was delivered.	
	Only open the door when necessary and for as short a time as possible. Store food in an organised way.	Frequent opening of the door for long periods will cause a loss of coldness. The appliance will try to cool down, and the compressor will run for longer periods.
	Take a cooler bag when shopping and load food in the appliance as quickly as possible on your return home. Replace any food removed as quickly as possible, before it warms up too much. Allow hot food and drinks to cool down before placing them in the appliance.	Hot food or food at room temperature raises the temperature inside the appliance. The appliance will try to cool down and the compressor will run for longer periods.
	Store food well packaged or covered.	The evaporation or condensation of liquids in the refrigerator will cause a loss of coldness.
	Place frozen food in the refrigerator to defrost.	
	Do not overfill the appliance to allow air to circulate.	Poor air circulation will cause a loss of coldness.

Guide to the appliance



- ① Display
- ② On/Off switch
- ③ Door shelves
- ④ Holder for the Active AirClean filters
- ⑤ Shelves
- ⑥ Hanging drawer for storing small items
- ⑦ Interior lighting
- ⑧ Fruit and vegetable drawer
- ⑨ Moisture regulator
- ⑩ Humidity-controlled compartment with moisture adjustment for fruit and vegetables
- ⑪ Dry compartment with temperature adjustment for food which goes off quickly
- ⑫ Automatic door opening (Push2open/Pull2open)

Main screen




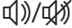

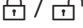











- ① SuperCool display
(only visible when the SuperCool function is switched on)
- ② Temperature display (target temperature)
- ③ 🌡️ sensor
for setting the temperature
- ④ Display for Miele@home connection status
(only visible when the Miele@home function has been set up)
- ⑤ Settings mode sensor ⚙️
For adjusting various functions in Settings mode

Guide to the appliance


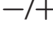


Settings mode

In Settings mode, you can select the following appliance functions and alter their settings:

Symbol		Function
	Language	Set
	Display brightness	Adjust (darker to brighter)
	Colour scheme	Set (black or white)
	Buzzer tones	Adjust the volume or switch off the Buzzer tones completely (e.g. for the door alarm)
	Keypad tone	Adjust the volume or switch off the Keypad tone completely
°F / °C	Temperature unit	Set (° Fahrenheit or ° Celsius)
	Keypad lock	Switch on or off (see “Selecting further settings”)
	MasterFresh	Adjust the temperature in the dry compartment (see “Selecting further settings”)
	Eco mode	Switch on or off (see “Selecting further settings”)
	Self test	The system restarts and is checked for faults or malfunctions (see “Selecting further settings”)

	Door assistant	(Push2open or Pull2open) Switch on or off (see “Selecting further settings”)
	Miele@home	Set up, deactivate, or query Wi-Fi connection status (see “Selecting further settings”)
	Demo mode	Switch off * (only visible when Demo mode is switched on, see “Selecting further settings”)
	Factory default settings	Reset to factory default settings (see “Selecting further settings”)
	Sabbath mode	Switch on or off (see “Selecting further settings”)
	Display Active AirClean filter	Switch on or off or reset (see “Selecting further settings”)

Symbols in Settings mode

	Scroll in Settings mode or select a setting
	Change a setting (e.g. display brightness)
	Confirm a setting
	Exit the menu level

Accessories

Accessories supplied

For a description, see “Guide to the appliance – Adjusting the interior fittings”.

Appliance plug

Active AirClean filters

The Active AirClean filters neutralise unpleasant odours in the refrigerator section and stop odours from transferring to the food.

Insert the Active AirClean filters supplied as described in “Cleaning and care - Replacing the Active AirClean filters”.

We recommend replacing the Active AirClean filters every 6 months.

Optional accessories

A range of useful Miele accessories and care products is available for your appliance.

Miele all purpose microfibre cloth

Light soiling and fingerprints on stainless steel fronts, control panels and furniture can be easily removed with this microfibre cloth.

Active AirClean filters

For a description see “Accessories supplied”.

Active AirClean filter holder

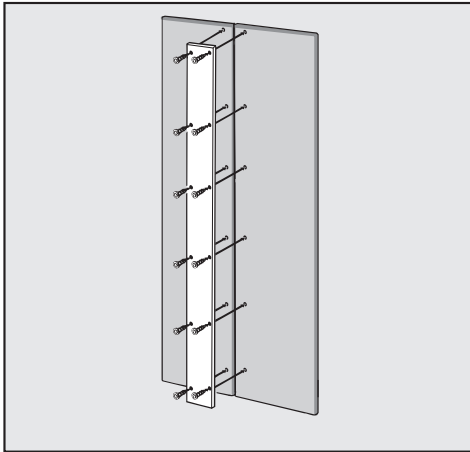
The holder for the Active AirClean filters can be fixed under any shelf in the refrigerator section.

Stainless steel front panel

Stainless steel front panels provide a high-quality exterior design for your refrigeration appliance.

Handles and plinth panels are also available in a stainless steel look.

Metal panel for cassette fronts



If you want to install two furniture fronts instead of one, these must be connected to each other with a metal panel.

Side-by-side installation kit

To install two or more refrigeration appliances next to one another, you will need the side-by-side installation kit (see “Installation - Side-by-side units”).

Hinge pocket

If the door hinging needs to be changed on your refrigeration appliance, the upper plinth ventilation grille must be converted. A new hinge pocket is required in order to do this.

The door hinging must only be changed by a suitably qualified and competent person.

Accessories are available from Miele directly (see back cover for contact details).

Using for the first time

Before using for the first time

Allow the refrigeration appliance to stand for approx. 1 hour before connecting it to the power supply. This will prevent potential functional problems with the appliance.

Removing packaging material

- Remove all packaging material from the inside of the appliance.

Remove all packaging material, including adhesive tape, **before** switching on the appliance. The adhesive tape is difficult to remove from cold surfaces.


Cleaning

Please refer to the relevant instructions in “Cleaning and care”.

- Clean the inside of the appliance and the accessories.

Choosing the right Door assistant (Push2open/Pull2open)

The Door assistant helps you to open the appliance door.

You can choose between the two Door assistants Push2open and Pull2open (see “Selecting further settings - Switching on the Door assistant ”).

The factory default Door assistant is Push2open.

- Select the Pull2open Door assistant if your refrigeration appliance has a furniture front with a handle.
- Select the Push2open Door assistant if your refrigeration appliance has a handle-free furniture front.

Inserting the Active AirClean filters

Your refrigeration appliance is equipped with 2 Active AirClean filters which neutralise unpleasant odours in the refrigerator section.

- Insert the Active AirClean filters supplied as described in “Cleaning and care - Replacing the Active AirClean filters”.

Miele@home

Your refrigeration appliance is equipped with an integrated Wi-Fi module.

Networking is deactivated at the factory.

To use this feature, you will need:

- a Wi-Fi network
- the Miele App
- a Miele user account. You can create a user account via the Miele App.

The Miele App will guide you as you connect your refrigeration appliance to your home Wi-Fi network.

Once the refrigeration appliance is connected to your Wi-Fi network, you can use the App to carry out the following activities, for example:

- Call up information on the operating status of your refrigeration appliance
- Change the settings on your refrigeration appliance

Connecting your refrigeration appliance unit to your Wi-Fi network will increase energy consumption, even when the appliance is switched off.

Make sure that the signal of your Wi-Fi network is sufficiently strong in the area where you want to set up your refrigeration appliance.

Availability of the Wi-Fi connection

The Wi-Fi connection shares a frequency range with other appliances (including microwave ovens and remote control toys). This may result in sporadic or even complete connection failures. Therefore, a constant availability of featured functions cannot be guaranteed.

Miele@home availability

The ability to use the Miele App depends on the availability of the Miele@home service in your country.

The Miele@home service is not available in every country.

For information about availability, please visit www.miele.com.

Miele App

You can download the Miele App from the Apple App Store® or the Google Play Store™ free of charge (only functional in selected countries).



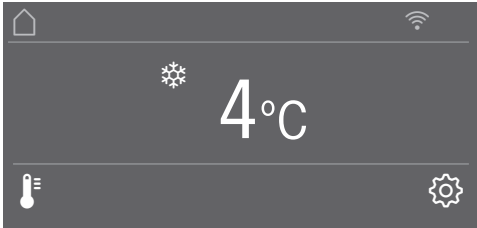
Using for the first time

Operating the refrigeration appliance

The touch display can be scratched by pointed or sharp objects, e.g. pens.


Only touch the display with your fingers.


If your fingers are cold, the touch display may not react.




The sensors underneath the temperature display can be **selected** directly by touch; the symbols and text in or above the temperature display can only be **displayed**.


Settings mode

In Settings mode , you can select different functions of the appliance and alter their settings to some extent (see "Selecting further settings").

- Touch the  sensor to open Settings mode.
- Use the < and > sensors to select the function for which you wish to adjust the settings.
- Confirm your selection with *OK*.
- Adjust the settings using either the < and > sensors or the + and – sensors.
- Confirm your selection with *OK*.

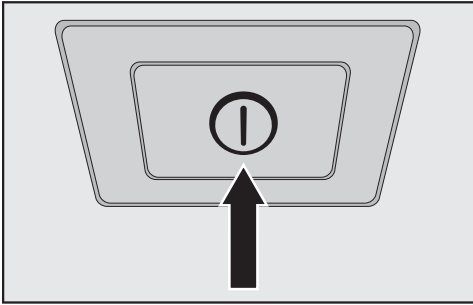
The setting with the **coloured** background is always the **selected** setting; it can be confirmed directly with *OK*.

- Touch the  sensor if you wish to switch to the previous menu level or terminate the process.

Every touch of the display is confirmed by a keypad tone. You can switch off this keypad tone in Settings mode .

Using for the first time

- Open the appliance door.





- Switch the refrigeration appliance on by pressing the On/Off switch.

The On/Off switch is located below the display.


The appliance will start to cool and the interior lighting will come on when the door is opened.


Miele will appear in the display.

- When you switch the refrigeration appliance on for the first time, you will be asked to configure the following settings:
 - Set the Language (if you accidentally select the wrong Language, return to Settings mode  and use the  symbol to change the language)
 - Set the Temperature unit: °C (degrees Celsius) or °F (degrees Fahrenheit)
 - Set up Miele@home:
- Select Continue if you would like to set up Miele@home now. You will then be guided by the display and the Miele App.

As soon as your appliance has been integrated into your Wi-Fi network via the App, the message Connection successful will appear in your appliance's display.

- Confirm the process with OK again.

If the Wi-Fi connection is active,  will appear in the display.

- Select Skip if you would prefer to set up Miele@home later.
- Touch the  sensor if you want to return to the previous menu level.

Set-up successful appears in the display.

- Confirm the initial set-up with OK.

The main screen will appear in the display (see "Guide to the appliance - Main screen").

You cannot cancel the initial set-up process. The only way to terminate the process is to switch off the refrigeration appliance, though the process will continue when the appliance is switched back on.

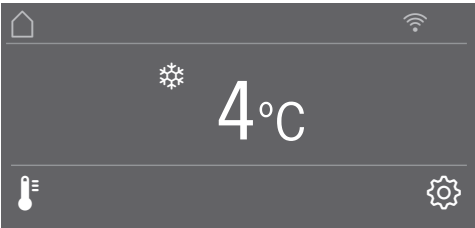
Switching on and off

Switching the appliance on

- Open the appliance door.
- Switch the refrigeration appliance on by pressing the On/Off switch.

The appliance will start to cool and the interior lighting will come on when the door is opened.

Miele will appear in the display, followed by the main screen.



To enable the temperature to get sufficiently cold inside the appliance, allow the appliance to run for a few hours before placing food in it.

Switching off the appliance

- Switch the appliance off by pressing the On/Off switch.

The cooling and interior lighting are switched off.

Please note: The refrigeration appliance is not disconnected from the power supply when it is switched off with the On/Off switch.


Switching off for longer periods of time


If the appliance is not going to be used for a longer period of time, e.g. whilst on holiday:


- Switch the appliance off.
- Disconnect the appliance from the mains. Switch off at the wall and withdraw the plug from the socket, or switch off the mains circuit breaker.
- Clean the refrigeration appliance.
- Leave the door ajar to air the appliance and to prevent odours building up.

If, during a long absence, the appliance is switched off but not cleaned and the door(s) left shut, there is a risk of mould forming inside the appliance. It is essential to clean the appliance.


Selecting further settings


In Settings mode , you can select different functions of the refrigeration appliance and alter their settings, allowing you to adjust the appliance to suit your requirements.

Only the functions in Settings mode  that require further explanation are described below.

The door alarm and other warnings are automatically disabled when the appliance is in Settings mode .

Switching the Keypad lock / on or off

Switching on the Keypad lock prevents an inadvertent temperature adjustment or unwanted changes while in Settings mode .

- In Settings mode , use the < and > sensors to select Keypad lock and touch *OK* to confirm your selection.
- Use the < and > sensors to switch the sensor lock On or Off and select *OK* to confirm your selection.
- The sensor lock will not be activated until you close the appliance door.

Nothing will appear in the display to indicate that the sensor lock is switched on.


The message *Press OK for 6 seconds to unlock* will appear in the display if you select a sensor while the sensor lock is switched on.

- Follow the instructions in the display.

The display is unlocked briefly so you can adjust settings as required. Closing the appliance door will reactivate the sensor lock.

Selecting further settings

Adjusting the temperature in the MasterFresh zone (dry compartment)

- In Settings mode , use the < and > sensors to select MasterFresh and touch OK to confirm your selection.
- Use the – and + sensors to select the desired temperature and touch OK to confirm your selection.
- Touch the ↶ sensor if you wish to terminate the process.


The segment bar displays 5 segments; the temperature is adjusted in increments of approx. 1 °C.


The factory default setting for the temperature in the dry compartment is 0 °C.

Switching Eco mode on or off


Eco mode is useful when going on a holiday, for example, if you do not wish to switch off the appliance completely or do not need a high degree of cooling. Energy consumption in Eco mode is lower than in normal operation.

The refrigerator section is regulated to a temperature of 6 °C and the dry compartment in the MasterFresh zone to approx. 1 °C.

If the SuperCool  function is switched on, this will be automatically switched off when Eco mode is selected.

- In Settings mode , use the < and > sensors to select Eco mode and touch OK to confirm your selection.
- Use the < and > sensors to switch Eco mode On or Off and confirm your selection with OK.



Only the changed temperature in the display indicates that Eco mode is switched on.

Useful tip: You can also switch off the Eco mode function by directly adjusting the temperature  (see "The correct temperature - Setting the temperature").

Storing food at a temperature of 6 °C for an extended period of time may impair the shelf life and quality of the food.

Carrying out a Self test


Perform a Self test if you feel that your refrigeration appliance is not functioning properly and needs to be checked for any malfunctions.

- In Settings mode , use the < and > sensors to select Self test and touch OK to confirm your selection.
- Touch the  sensor if you wish to terminate the process.

The Self test starts and the appliance is checked for any faults or malfunctions.

- If the Self test does not detect any faults or malfunctions, the display will show the message System restart.
- If the Self test does discover any faults or malfunctions, they are indicated as error messages in the display.

An alarm tone also sounds.

- If you find the alarm disruptive, you can switch it off early by touching the  sensor.
- Make a note of the error message(s) displayed.
- Contact customer service and inform them of the error message(s) in the display.
- Confirm the message with OK.

System restart will appear in the display.

The appliance will briefly switch off and then back on automatically.

Self test completed will appear in the display.

- Confirm the message with OK.

The main screen will appear in the display.


Selecting further settings

Switching on the Door assistant

You can choose between the two Door assistants Push2open and Pull2open. The factory default Door assistant is Push2open.

The Push2open Door assistant is suitable for furniture fronts without handles. The door will open automatically when you gently press against it.


The Pull2open Door assistant is suitable for furniture fronts with handles. The appliance door can be opened easily and with little effort.

 Risk of damage if the appliance door is closed prematurely.

When the Door assistant is switched on, repeatedly closing the appliance door early can lead to damage or malfunctions.


Refrain from holding onto or closing the appliance door while the automatic door opening is still extended. If you have closed the appliance door despite this, leave it closed for 5 minutes. The automatic door opening will reset itself.

Switching on Push2open

- In Settings mode , use the < and > sensors to select Door assistant and touch OK to confirm your selection.
- Use the < and > sensors to select Mode and confirm your selection with OK.
- Use the < and > sensors to select Push2open and confirm your selection with OK.
- Touch the ↶ sensor to return to the previous menu level.

– Adjusting the intensity


You can also adjust the intensity of the Push2open function. The lower the intensity, the less force is required when you push against the appliance door.

- In Settings mode , use the < and > sensors to select Door assistant and touch OK to confirm your selection.
- Use the < and > sensors to select Intensity and touch OK to confirm your selection.
- Use the < and > sensors to select the desired intensity (Low, Medium, High) and select OK to confirm your selection.

Selecting further settings



- Adjusting the duration of the AutoClose function

You can also adjust the duration for how long the appliance door will remain open until it closes automatically.

- In Settings mode , use the < and > sensors to select Door assistant and touch OK to confirm your selection.
- Use the < and > sensors to select AutoClose and touch OK to confirm your selection.
- Use the + and – sensors to select the duration (5 to 30 seconds) and confirm your selection with OK.


To protect against unintentional opening: If you do not pull the appliance door open, it will close again by itself after the duration defined by you.

Switching on the Pull2open

- In Settings mode , use the < and > sensors to select Door assistant and touch OK to confirm your selection.
- Use the < and > sensors to select Mode and confirm your selection with OK.
- Use the < and > sensors to select Pull2open and confirm your selection with OK.
- Touch the  sensor to return to the previous menu level.


- Adjusting the intensity

You can also adjust the intensity of the Pull2open function. The lower the intensity, the less force is required when you pull the appliance door open.

- In Settings mode , use the < and > sensors to select Door assistant and touch OK to confirm your selection.
- Use the < and > sensors to select Intensity and touch OK to confirm your selection.
- Use the < and > sensors to select the desired intensity (Low, Medium, High) and touch OK to confirm your selection.

Selecting further settings

Switching off the Door assistant

- In Settings mode , use the < and > sensors to select Door assistant and confirm your selection with *OK*.
- Use the < and > sensors to select Mode and confirm your selection with *OK*.
- Use the < and > sensors to select Off and confirm your selection with *OK*.
- Touch the ↩ sensor to return to the previous menu level.


Miele@home

Setting up Miele@home

The message Set up Miele@home only appears if the refrigeration appliance has not yet been connected to a Wi-Fi network.

- Connect your refrigeration appliance as described in “Using for the first time”.

Deactivating Miele@home

- In Settings mode , use the < and > sensors to select Miele@home and touch *OK* to confirm your selection.
- Use the < and > sensors to select Deactivate and confirm your selection with *OK*.

Deactivation successful will appear in the display.


- Confirm the message with *OK*.

Your refrigeration appliance is now disconnected from your Wi-Fi network.

The  symbol will go out in the display.


Activating Miele@home

If you have previously activated Miele@home and then deactivated the connection, you can reactivate the connection.


- In Settings mode , use the < and > sensors to select Miele@home and touch *OK* to confirm your selection.
- Use the < and > sensors to select *Activate* and confirm your selection with *OK*.

Activation successful will appear in the display.





- Confirm the message with *OK*.

If the Wi-Fi connection is active,  will appear in the display.

Checking the Wi-Fi connection status


- In Settings mode , use the < and > sensors to select Miele@home and touch *OK* to confirm your selection.
- Use the < and > sensors to select *Connection status* and confirm your selection with *OK*.

Information about the Wi-Fi connection status will appear in the display:

-  connected: strong connection
-  connected: average connection
-  connected: weak connection
- : no connection

Setting up Miele@home again

If you have changed your Wi-Fi network, you can set up Miele@home again for your appliance.


- In Settings mode , use the < and > sensors to select Miele@home and touch *OK* to confirm your selection.
- Use the < and > sensors to select *Set up again* and confirm your selection with *OK*.

Reset configuration? will appear in the display.

- Use the < and > sensors to select *Yes* or *No* and confirm your selection with *OK*.

Resetting the network configuration


Reset the appliance's settings to the factory settings when disposing of your refrigeration appliance, selling it or putting a used refrigeration appliance into operation. This will reset the network configuration so that all personal data is deleted from the refrigeration appliance. This will also ensure that, in the case of the latter, a previous owner is no longer able to access the appliance.


- Reset the settings of the refrigeration appliance as described in the chapter "Resetting the settings to their factory default settings ".

Selecting further settings

Switching off Demo mode

Demo mode allows the appliance to be presented in a showroom **without the cooling system being switched on**. Do not activate this setting for domestic use.

If Demo mode has been switched on at the factory,  will show in the display.

- In Settings mode , use the < and > sensors to select Demo mode and touch *OK* to confirm your selection.

Press *OK* for 4 seconds to deactivate **will appear in the display**.

- Follow the instructions in the display.

The countdown Demo mode will deactivate in seconds **will appear in the display**.

Demo mode deactivated. Appliance cooling switched on **will appear in the display**.


- Confirm the message with *OK*.

The main screen will appear in the display.

Resetting the settings to their factory default settings

You can reset the appliance's settings to their default settings.

Reset the appliance's settings to the factory settings when disposing of your refrigeration appliance, selling it or putting a used refrigeration appliance into operation. This will reset the network configuration so that all personal data is deleted from the refrigeration appliance. This will also ensure that, in the case of the latter, a previous owner is no longer able to access the appliance.

- In Settings mode , use the < and > sensors to select Factory default settings and touch *OK* to confirm your selection.
- Use the < and > sensors to select *Reset* and confirm your selection with *OK*.




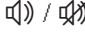









After a short while, *Settings reset* will appear in the display.

- Confirm the message with *OK*.

The initial setup process restarts (see “Using for the first time - Before using for the first time”).

The refrigeration appliance's settings will be reset to the following values:

Selecting further settings


Function	Factory default setting
	Language English
	Display brightness middle value (4 of 7 segments)
	Colour scheme black
	Buzzer tones middle value (4 of 7 segments)
	Keypad tone middle value (4 of 7 segments)
°C/°F	Temperature unit ° Celsius
	Keypad lock switched off
	MasterFresh 0 °C (2 of 5 segments)
	Eco mode switched off
	Door assistant Push2open
@	Miele@home switched off
	Sabbath mode switched off
	Display Active AirClean filter switched on
	Temperature in the refrigerator section 4 °C
	Temperature in the dry compartment 0 °C


Switching Sabbath mode on or off

The refrigeration appliance has a Sabbath mode to support the observance of religious customs.

When Sabbath mode is switched on, you cannot configure any settings on your refrigeration appliance.

Ensure that the appliance door is properly closed, as visual and audible alarms are switched off in Sabbath mode.


- In Settings mode , use the < and > sensors to select Sabbath mode and touch OK to confirm your selection.
- Use the < and > sensors to select On or Off and confirm your selection with OK.

When Sabbath mode is switched on,  will appear in the display and the display brightness will be reduced (the display does not change when the appliance door is closed).


When Sabbath mode  is switched on, the following functions are switched off:

- the Door assistant (with furniture fronts without handles, the appliance door will have to be pulled from the bottom or side)
- the lighting
- all acoustic and visual signals
- the temperature display
- the SuperCool function (if previously switched on)

You can still select:

- the sensor for Settings mode  so that Sabbath mode can be switched off.

The Sabbath mode function will switch itself off automatically after approx. 125 hours.

 Health risk due to consumption of spoiled food.

As power failures are not indicated while Sabbath mode is active, food may be exposed to increased temperatures for a certain period of time. This shortens the shelf life of the food.

If there is a power cut during Sabbath mode, check the quality of the food.

Selecting further settings

Switching on, switching off, or resetting the Display Active AirClean filter


The Display Active AirClean filter will remind you approx. every 6 months that the Active AirClean filters need to be replaced. Change Active AirClean filter appears in the display.

See “Cleaning and care - Replacing the Active AirClean filters” for instructions on how to replace the Active AirClean filters.

The first time the Active AirClean filters need to be replaced, the display will remind you automatically; the reminder does not need to be switched on separately.

Switching on the Display Active AirClean filter


If the Display Active AirClean filter has been switched off, it must be switched on again if required.

- In Settings mode , use the < and > sensors to select Display Active AirClean filter and touch *OK* to confirm your selection.
- Use the < and > sensors to select On and confirm your selection with *OK*.

The Display Active AirClean filter has been switched on.

Switching off the Display Active AirClean filter

If you do not require the Display Active AirClean filter, you can switch it off.


- In Settings mode , use the < and > sensors to select Display Active AirClean filter and touch *OK* to confirm your selection.
- Use the < and > sensors to select Off and confirm your selection with *OK*.

The Display Active AirClean filter has been switched off.

Resetting the Display Active AirClean filter

After you have replaced the Active AirClean filters, you must reset the Display Active AirClean filter so that it will be displayed again automatically after 6 months.

If you do not reset the reminder, it will appear again and again.

- In Settings mode , use the < and > sensors to select Display Active AirClean filter and touch OK to confirm your selection.
- Use the < and > sensors to select Reset and confirm your selection with OK.

The Change Active AirClean filter message disappears from the display.

The Display Active AirClean filter to replace the Active AirClean filters has been activated.

The correct temperature

It is very important to set the correct temperature for storing food in the appliance. Bacteria will cause food which is not stored at the correct temperature to deteriorate rapidly. Temperature influences the growth rate of these microorganisms. Reducing the temperature reduces their growth rate.

The temperature in the appliance will rise:

- The more often the door is opened and the longer it is kept open.
- The more food is stored in it.
- The warmer the food is which is being put into it.
- The higher the ambient temperature of the refrigeration appliance. The appliance is designed for use within specific ambient temperatures (climate range). Do not use it in ambient temperatures for which it is not designed.

... in the refrigerator section and in the MasterFresh zone

We recommend a temperature of 4 °C in the refrigerator section.

We recommend a temperature of 0 °C in the dry compartment of the MasterFresh zone.

Automatic temperature distribution (DynaCool)

The fan switches on automatically when the cooling system for the refrigerator switches on. It distributes the temperature in the appliance to all areas more evenly so that all the food is chilled to about the same degree.

Setting the temperature

- Touch the °C sensor for setting the temperature.

The previously set temperature will appear.

- Use the + and – sensors to set the temperature. Keeping your finger on the sensor changes the temperature continuously.
- Confirm the temperature setting with OK or wait approx. 8 seconds after the last touch of a sensor. The temperature will then be adopted automatically.

Useful tip: The newly set temperature can also be confirmed and adopted by closing the appliance door.

The temperature display always shows the **required** temperature.

If you have adjusted the temperature, **wait for approx. 6 hours if the appliance is not very full and for approx. 24 hours if the appliance is full** before checking the temperature. It will take this long for the required temperature to be reached.

- If, after this time, the temperature is still too high or too low, adjust it again.

Adjusting the temperature in the dry compartment of the MasterFresh zone

The temperature in the dry compartment of the MasterFresh zone is maintained at approx. 0 °C.

However, if you would like it to be warmer or colder, you can adjust the temperature slightly (see “Selecting further settings – Adjusting the temperature in the MasterFresh zone (dry compartment) °C ”).

Useful tip: You can select a lower setting, for example for storing particularly delicate fish. A slightly higher temperature is preferable for example for storing ready-to-eat food.

Temperature range

The temperature in the refrigerator section can be set from 2 °C to 8 °C.

The temperature in the dry compartment of the MasterFresh zone can be set from approx. -1 °C to 3 °C.

Using SuperCool

SuperCool function ❄️

The SuperCool function can be used to rapidly reduce the temperature in the refrigerator section to its lowest setting (depending on the room temperature).

SuperCool is particularly recommended for the rapid chilling of large amounts of fresh food or drinks.

Switching on SuperCool

- Touch the 🌡️ sensor for setting the temperature.
- Touch the ❄️ sensor to switch the SuperCool function on.

The ❄️ symbol will be highlighted in colour and the newly set temperature value of 2 °C will appear in the display.

- Confirm the setting with *OK* or wait approx. 8 seconds after the last touch of the sensor. The setting will then be automatically adopted.

The ❄️ symbol lights up in the display.

The appliance will run at maximum power.

Switching off SuperCool

- Touch the 🌡️ sensor for setting the temperature.

The ❄️ symbol will be highlighted in colour and the temperature value of 2 °C will appear in the display.

- Touch the ❄️ sensor to switch the SuperCool function off.

The ❄️ symbol is no longer highlighted in colour and the previous temperature setting appears again in the display.

- Confirm the setting with *OK* or wait approx. 8 seconds after the last touch of the sensor. The setting will then be automatically adopted.

The ❄️ symbol disappears from the temperature display.

The refrigeration appliance will run at normal power again.

If you do not switch off the SuperCool function, it will turn itself off automatically after approx. 6 hours. The appliance will then run at normal power again.

Useful tip: To save energy, you can manually switch off SuperCool once food and drinks are sufficiently chilled.

The appliance is fitted with a warning system to avoid increased energy consumption and food becoming warm if the door is left open.

Door alarm

An alarm will sound if the appliance door has been left open for longer than 2 minutes.

In addition, the **Close the door message** will appear in the display.

As soon as the door is closed, the alarm will stop and the message in the display will disappear.

Switching the door alarm off early

You can switch the alarm off early if you wish.

- Touch the *OK* sensor.

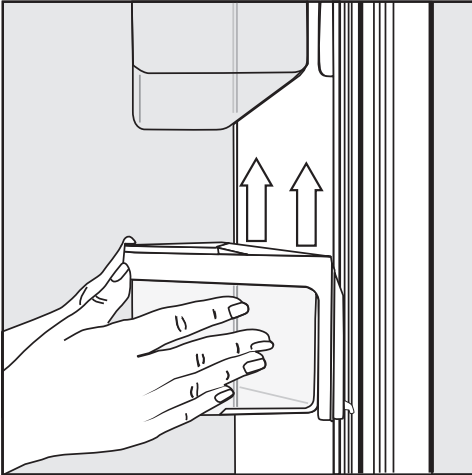
The alarm will stop and the message will disappear from the display.

The alarm will sound again and the message will reappear in the display after a while if the appliance door has not been closed.

Adjusting the interior fittings

Moving or removing the shelves in the appliance door

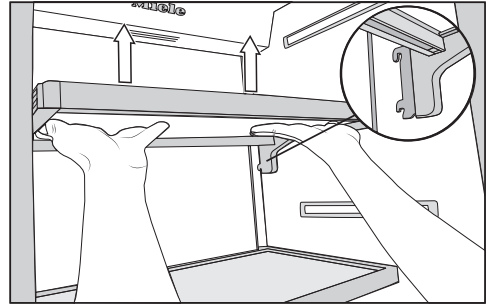
Only move the shelves in the door when they are empty.



- Hold the shelf on the frame with both hands and lift it slightly so that it can be lifted over the guide on both sides with the catches.
- Remove the shelf or refit it in the required position with the catches in the guides at the same height.
- Make sure that the shelf is straight.

Useful tip: For the purposes of loading and unloading or cleaning, the clip-in containers in the shelves can be removed from their holders completely.

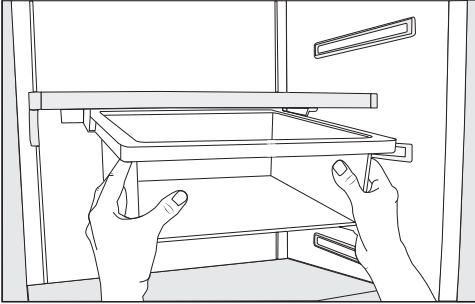
Moving or removing the adjustable shelves



- Hold the shelf on both sides and raise it slightly so that it can be lifted with the catches over the guide at the back.
- Pull the shelf forwards.
- Remove the shelf or refit it in the required position in the guide with the catches.
- Make sure that the shelf is straight.

Adjusting the interior fittings

Removing the hanging drawer



- Pull the hanging drawer straight out to lift it over the pull-out stops on both sides.
- To reinsert the hanging drawer, push it straight into the guide.

The hanging drawer can be moved to the left or right if required.

Moving the hanging drawer

The hanging drawer can be fixed under any shelf in the refrigerator section.

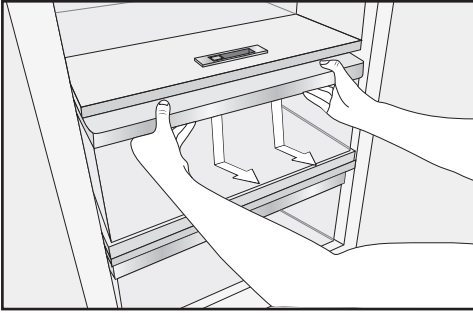
- Pull the hanging drawer out.
- To remove the holder for the hanging drawer, press against the retainers on both sides of the holder from the rear and pull the holder downwards diagonally from the frame.
- To refit the holder, press against the retainers on both sides of the holder from the rear and clamp it into the gap on the frame from below.
- Refit the hanging drawer.

Useful tip: Alternatively, you can move the shelf together with the hanging drawer.

Adjusting the interior fittings

Removing compartments from the refrigerator

- Pull the compartment out a little bit.



- Using both hands, grasp the compartment frame from below and push the compartment downwards so that the rear end disengages and lifts upwards.
- Pull the compartment forwards to remove it.

Then push the telescopic runners back in to avoid damaging them.

Be careful not to wash out the special lubricant in the telescopic runners during cleaning. Wipe the telescopic runners with a damp cloth to clean them.

- To reinsert the compartment, position it on the telescopic runners so that it clicks into place.

Storing food in the refrigerator section

Different storage zones

Due to the natural air circulation there are different temperature zones in the refrigerator.

Cold, heavy air sinks to the lowest section of the appliance. Make use of the different zones when placing food in the appliance.

Useful tip: To allow air to circulate efficiently, do not pack food too closely together in the refrigerator.

If there is insufficient air circulation, the cooling performance will decrease and energy consumption will increase.
Do not cover the fan in the rear wall of the appliance.

Useful tip: Do not store food in such a way that it touches the rear wall of the refrigerator. It may freeze to the back wall.

This refrigeration appliance has automatic dynamic cooling, which helps to keep an even temperature when the fan is running. The difference between the various temperature zones is therefore less pronounced.

Warmest area

The warmest area is located in the top section of the main storage area and the door. Use this for storing butter so that it remains spreadable and for cheese so that it retains its flavour.

Coldest area

The coldest area in the refrigerator section is directly above the fruit and vegetable drawer and at the back of the appliance. The temperature in the dry compartment of the MasterFresh zone is even colder.

A temperature setting of 4 °C combined with appropriate hygiene measures delays the propagation of bacteria, e.g. salmonella and listeria, which can lead to serious food poisoning.

Use this area in the refrigerator section and the dry compartment of the MasterFresh zone for all delicate and highly perishable food, e.g.:

- fish, meat, poultry
- sausage products, ready meals
- dishes or baked goods containing eggs or cream
- fresh dough, cake mixtures, pizza or quiche dough
- soft cheese and other dairy products
- pre-packed vegetables and other fresh food with a label stating it should be kept at a temperature of no higher than 4 °C.

Storing food in the refrigerator section

Useful tip: This compartment is ideal especially for homemade meals, as the growth of existing microorganisms is greatly reduced.

Food which is not suitable for storage in the refrigerator

Not all food is suitable for refrigeration at temperatures below 5 °C because it is sensitive to cold.

Foods which are sensitive to cold include:

- Pineapples, avocados, bananas, pomegranates, mangoes, melons, papayas, passionfruit and citrus fruits such as lemons, oranges, mandarines, grapefruits
- Fruit (which is not yet ripe)
- Eggplants, cucumbers, potatoes, capsicums, tomatoes, zucchini
- Hard cheeses, e.g. Parmesan, mountain cheese

Notes on buying food

The freshness of the food when it is first placed in the appliance is the most important factor for how long it stays fresh.

Take into account the use-by date and the correct storage temperature.

Time out of the refrigerator, e.g. transporting food in a warm car, should be kept to a minimum.

Storing food correctly

Ensure that food stored in the refrigerator section is in packaging or covered properly (some exceptions apply in the MasterFresh zone). This will prevent food smells from affecting other foods, food from drying out, and also cross-contamination of bacteria. This is especially important when storing meat products. Make sure that foods such as raw meat and fish in particular do not come into contact with other foods. By ensuring that the temperature settings are correct and by taking appropriate hygiene measures, you can prolong the storage life of your food considerably.

Fruit and vegetables

Fruit and vegetables can be stored loose in the fruit and vegetable drawer.

Storing food in the MasterFresh zone

MasterFresh zone

The MasterFresh zone provides ideal storage conditions for fruit, vegetables, fish, meat, and dairy products. Food stays fresh considerably longer while retaining both flavour and vitamins.

The MasterFresh zone comprises a humidity-controlled and a dry compartment.

- Depending on the moisture regulator setting, the **humidity-controlled compartment** is particularly suitable for **storing fruit and vegetables**.
- The **dry compartment** is suitable for **storing perishable foods** such as fish, meat, and dairy products. Any type of food can in fact be stored in this compartment, as long as it is packaged.

	Max. load capacity of the drawers in the MasterFresh zone
K 2601 Vi	25 kg
K 2802 Vi	35 kg

Humidity-controlled compartment with moisture adjustment



The moisture released by food in storage is kept within the humidity-controlled compartment. The more the humidity in the humidity-controlled compartment corresponds to the food's own humidity content, the crisper and fresher the food will remain over a longer period of time, as the water content of the food is largely retained.

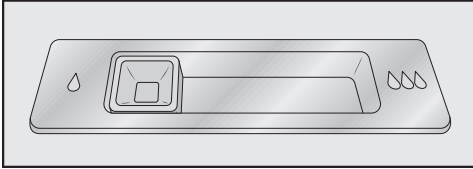
The moisture level greatly depends on the type and quantity of the food being stored, if stored unwrapped.

The temperature in the humidity-controlled compartment is approximately equivalent to the temperature in the conventional refrigerator section.

Remember that the freshness of the food when first placed in the appliance is the most important factor in determining how long it will stay fresh.

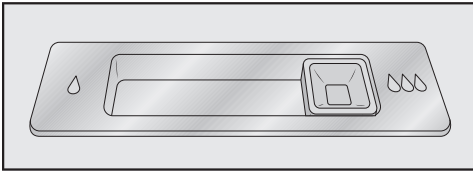
Storing food in the MasterFresh zone

The moisture regulator is used to regulate the amount of moisture in the humidity-controlled compartment with the settings Δ to $\Delta\Delta\Delta$.



Position of the moisture regulator Δ = slightly increased humidity

Select the Δ setting if you store **very large quantities** of fruits and vegetables in the humidity-controlled compartment. The moisture regulator partially closes the vents in the compartment so that some of the moisture present is retained.



Position of the moisture regulator $\Delta\Delta\Delta$ = increased humidity

Select the $\Delta\Delta\Delta$ setting if you store **small to large quantities** of fruits and vegetables in the humidity-controlled compartment. The moisture regulator closes the vents in the compartment completely so that all of the moisture present is retained.

Useful tip: If the humidity level is too high and a lot of moisture collects in the compartment, select the Δ setting. If the quantity of food being stored in this compartment is small, the moisture level may be too low. If you are only storing a small amount of food, wrap it in airtight packaging.

Increased moisture in the humidity-controlled compartment can, in some circumstances, cause a build-up of condensate.

Wipe off any condensate with a cloth.

Regulating the humidity level in the humidity controlled compartment

- Slide the moisture regulator to the left Δ or right $\Delta\Delta\Delta$ depending on the setting required.

Storing food in the MasterFresh zone

Dry compartment with adjustable temperature



The temperature in the dry compartment is maintained at -1 to 3 °C. While lower than the temperature in a conventional refrigerator, this is the optimum temperature range for storing fresh food which is not sensitive to cold.

As the shelf life of the food is extended at this temperature, food can be stored considerably longer without loss of freshness.

However, if you would like it to be warmer or colder, e.g. when storing fish, you can adjust the temperature slightly (see “Selecting further settings – Adjusting the temperature in the MasterFresh zone (dry compartment) ⚙️↕”).

The humidity level is similar to that in the conventional refrigerator section.

Useful tip: This compartment is ideal especially for homemade meals, as the growth of existing microorganisms is greatly reduced.

The dry compartment is ideal for storing perishable foods such as:

- Dairy products such as yoghurt, cheese, cream, quark etc.
- Deli salads
- Meat, poultry, sausages
- Fresh fish, shellfish and crustaceans
- Any type of food can in fact be stored in this compartment, as long as it is packaged.

Please note that foods rich in protein deteriorate faster than others.

Shellfish, for example, deteriorates faster than fish, and fish deteriorates faster than meat.

For hygiene reasons, always keep these foods **covered or wrapped** in this compartment.

Take food out of the dry compartment approximately 30 to 60 minutes before using it. The aroma and taste do not fully develop until the food has reached room temperature.

At high room temperatures, delicate food should preferably be kept in the refrigerator section for a period of time.

Storing food in the MasterFresh zone

If you are not satisfied with your stored food (for example the food wilts or becomes limp after only a short storage time), ensure the following:

- Only place fresh food in the appliance. The initial condition of the food is crucial to maintaining freshness.
- Clean the MasterFresh zone before storing food in it.
- The surface of very moist food should be dried before storing it in the humidity-controlled compartment.
- Do not store food which is sensitive to cold in the dry compartment (see “Using the refrigerator efficiently - Food which is not suitable for storage in the refrigerator”).
- Allocate the appropriate settings to food you wish to store (e.g. humid or dry storage).
- Store food loose in the humidity-controlled compartment.
A high humidity level in the humidity-controlled compartment is achieved by the moisture present in the food being stored.
If the humidity level is not high enough (e.g. too little food is being stored), it can be increased by placing a damp sponge in the drawer.
- If you think that the temperature in the dry compartment is too high or too low, adjust the temperature in the dry compartment (see “The correct temperature – Setting the temperature”). If ice crystals start to form on the floor of the dry compartment, increase the temperature as otherwise the cold temperature will damage the food.
- If too much water collects at the bottom of the humidity-controlled compartment, dry it with a cloth. If necessary, dry food before placing it in the appliance or place a rack at the bottom of the humidity-controlled compartment to allow water to drain off.


Refrigerator section and MasterFresh zone

The refrigerator section and the MasterFresh zone defrost automatically.

Condensate and ice can build up on the back wall of the refrigerator section and the MasterFresh zone while the compressor is running. You do not need to remove this, as it will defrost and evaporate automatically with the warmth generated by the appliance.

Cleaning and care

Do not let water get into the electronic unit or the lighting.

 Risk of damage due to moisture ingress.

The steam from a steam cleaning appliance can damage plastic parts and electrical components.

Do not use a steam cleaner to clean the appliance.

The data plate located inside the refrigeration appliance must not be removed. It contains information which is required in the event of a fault.

Cleaning agents

To avoid damaging the surfaces of your appliance, **do not use:**

- cleaning agents containing soda, ammonia, acids or chlorides
- cleaning agents containing descaling agents
- abrasive cleaning agents, e.g. powder cleaners and cream cleaners
- solvent-based cleaning agents
- stainless steel cleaning agents
- dishwasher cleaner
- oven sprays
- glass cleaning agents
- hard, abrasive sponges and brushes, e.g. pot scourers
- dirt erasers
- sharp metal scrapers.

Cleaning and conditioning agents used in the interior of the refrigeration appliance must be food safe.

We recommend using lukewarm water with a little dishwashing liquid to clean the appliance.

Before cleaning the appliance

- Switch the appliance off by pressing the On/Off switch.
- Take any food out of the appliance and store it in a cool place.
- Take out all other removable parts for cleaning (see "Adjusting the interior fittings").

Cleaning the interior and accessories

Clean the appliance regularly, or at least once a month.
Clean up any spills, stains and food immediately. Do not allow them to dry and stick to the appliance.

- Clean the interior with a solution of lukewarm water and a little dishwashing liquid. Rinse all parts by hand. Do not wash in a dishwasher.
- After cleaning, wipe with a damp cloth and dry with a soft cloth.
- Leave the door open for a short time to air out the appliance and avoid the formation of odours.

Aluminium frames


The frames on the shelves inside the appliance and the door shelves are partially made from aluminium.

Aluminium is a dynamic material. The reflection and appearance of aluminium changes in different lights and environments and depending on the angle you view it from. It is also susceptible to scratching.

The aluminium frames may become discoloured or get damaged if soiling is left on for too long.
Remove any soiling from the aluminium frames immediately.

Cleaning and care

Cleaning the door seal

 Risk of damage due to incorrect cleaning.

If you treat the door seals with oils or grease, they can become porous.

Do not use any oils or grease on the door seals.

- The door seal should be cleaned regularly with clean water, and then wiped dry with a soft cloth.

Cleaning the ventilation gaps

A build-up of dust will increase the energy consumption of the appliance.

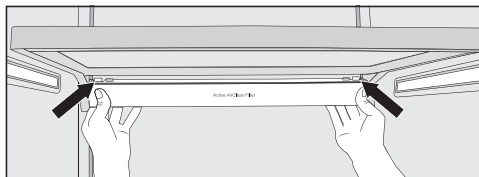
- The ventilation gaps should be cleaned on a regular basis with a brush or vacuum cleaner (you could use a Miele Vacuum Cleaner dusting brush, for example).

Replacing the Active AirClean filters

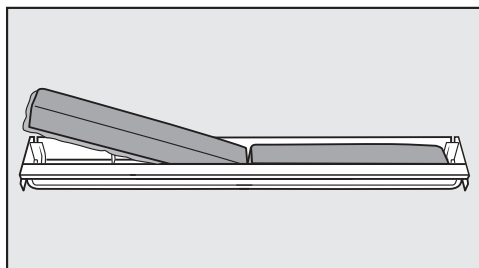
The Active AirClean filters in the refrigerator section need to be replaced approx. every 6 months.

Change Active AirClean filter appears in the display.

- Confirm the message with *OK*.






- To remove the holder for the Active AirClean filters, press against the retainers on both sides of the holder from the rear and pull the holder downwards diagonally from the frame.




- Remove the used Active AirClean filters and place the new Active AirClean filters with the surrounding edge pointing downwards in the holder.
- To refit the holder, press against the retainers on both sides of the holder from the rear and clamp it into the gap on the frame from below.

The holder can be fixed under any shelf in the refrigerator section.

Once the Active AirClean filters have been replaced, the Active AirClean filter display  must be reset via the Settings mode  in the display (see "Selecting further settings - Resetting the Display Active AirClean filter ").

New Active AirClean filters (both with and without a holder) can be obtained from Miele directly or via the Miele website.

After cleaning

- Refit all shelves and accessories in the appliance.
- Switch the appliance on again.
- Switch on the SuperCool  function for a while so that the refrigerator section can cool down quickly.
- Place the food back in the appliance and close the door.

Problem solving guide

Many malfunctions and minor faults that can occur in daily operation can be corrected without contacting Miele. This will save you time and money because you will not need a service call.

You can find information on how to remedy faults yourself at www.miele.com/service.

Please note, however, that a call-out charge will be applied to unnecessary service visits where the problem could have been rectified as described in these operating instructions.







To prevent cold from escaping, avoid opening the appliance door until the fault has been corrected.

Problem	Possible cause and remedy
If you feel that your refrigeration appliance is not working properly, you can perform a Self test. Your appliance will be checked for any faults or malfunctions.	Any errors identified during the Self test are shown in the display. <ul style="list-style-type: none">■ Perform the Self test (see “Selecting further settings - Carrying out a Self test <input checked="" type="checkbox"/>”).■ If necessary, contact customer service and inform them of the error message(s) in the display.
The refrigeration appliance is not getting cold and the interior lighting does not come on when the appliance door is opened.	The appliance is not switched on. <ul style="list-style-type: none">■ Switch the appliance on. The temperature appears in the display. The plug is not properly inserted into the socket or the socket is not switched on. <ul style="list-style-type: none">■ Insert the plug into the socket correctly and switch on. The mains circuit breaker has tripped. There could be a fault with the appliance, the household electrical wiring or another electrical appliance. <ul style="list-style-type: none">■ Contact a qualified electrician or Miele.










Problem solving guide

Problem	Possible cause and remedy
<p>The compressor is switching on more frequently and for longer periods of time. The temperature in the appliance is too low.</p>	<p>The ventilation gaps in the housing unit are covered or have become too dusty.</p> <ul style="list-style-type: none"> ■ Do not block the ventilation gaps. ■ Clean the dust from the ventilation gaps on a regular basis.
	<p>The door has been opened too frequently, or a large amount of fresh food has been placed in the appliance.</p> <ul style="list-style-type: none"> ■ Only open the door when necessary and for as short a time as possible. <p>After a while the temperature will return to normal by itself.</p>
	<p>The door is not properly closed.</p> <ul style="list-style-type: none"> ■ Close the door. <p>After a while the temperature will return to normal by itself.</p>
	<p>The ambient room temperature is too high. The higher the room temperature, the longer the compressor will run.</p> <ul style="list-style-type: none"> ■ See the information in “Installation - Location”.
	<p>The refrigeration appliance was not properly installed in the niche.</p> <ul style="list-style-type: none"> ■ See the information in “Installation – Installing the appliance”.
<p>The compressor is switching on more frequently and runs for longer periods of time, and the temperature in the appliance is too low.</p>	<p>The temperature setting is too low.</p> <ul style="list-style-type: none"> ■ Correct the temperature setting.
	<p>The SuperCool function is still switched on.</p> <ul style="list-style-type: none"> ■ To save energy, you can switch SuperCool off early.
<p>The compressor comes on less and less often and for shorter periods of time. The temperature in the appliance rises.</p>	<p>This is not a fault. The temperature is too high.</p> <ul style="list-style-type: none"> ■ Correct the temperature setting. ■ Check the temperature again after 24 hours.

Problem solving guide





Problem	Possible cause and remedy
The compressor runs continuously.	This is not a fault. To save energy, the compressor runs at a lower speed when less cooling is required. This increases the running time of the compressor.
An alarm sounds.	The appliance door has been open for longer than 2 minutes. <ul style="list-style-type: none"> ■ Close the appliance door.
No alarm sounds despite an appliance door being open.	You have deactivated the alarm. <ul style="list-style-type: none"> ■ Switch the alarm back on via the Settings mode .
	The Sabbath mode  function is switched on: The temperature display is dark and the  symbol is shown in the display. <ul style="list-style-type: none"> ■ You can switch off Sabbath mode at any time (see "Selecting further settings - Switching Sabbath mode  on and off").
The door of the appliance cannot be opened.	The Pull2open Door assistant is switched on but the appliance has a handle-free furniture front. <ul style="list-style-type: none"> ■ With handle-free furniture fronts, switch on the Push2open Door assistant (see "Selecting further settings - Switching on the Door assistant ").
The appliance door cannot be opened when Sabbath mode  is switched on.	The Push2open Door assistant is switched on at the same time as Sabbath mode. <ul style="list-style-type: none"> ■ When Sabbath mode is switched on, the Door assistant is deactivated. ■ Pull the door open from the bottom or from the side.

Messages in the display

Message	Possible cause and remedy
<p>The alarm sounds and the message  Close the door appears in the display.</p>	<p>The appliance door is open.</p> <ul style="list-style-type: none"> ■ Close the appliance door. ■ If you want to switch the alarm off early, touch the <i>OK</i> sensor in the display. <p>The alarm will stop.</p>
<p>The temperature display is dark and the  symbol lights up in the display.</p>	<p>Sabbath mode  is switched on. The interior lighting is switched off and the refrigeration appliance is cooling.</p> <ul style="list-style-type: none"> ■ You can switch off Sabbath mode at any time (see “Selecting further settings - Switching Sabbath mode  on and off”).
<p>F Please call Miele Service appears in the display and an alarm sounds.</p>	<p>There is a fault.</p> <ul style="list-style-type: none"> ■ Make a note of the fault message if necessary. ■ Call Miele. ■ To switch the alarm off, touch the  symbol. <p>The fault message will not disappear from the display until the fault has been rectified.</p>
<p>The  symbol lights up in the display. The refrigeration appliance does not get cold, but the appliance controls are working.</p>	<p>Demo mode  is switched on. Demo mode allows the appliance to be presented in a showroom without the cooling system being switched on. Do not activate this setting for domestic use.</p> <ul style="list-style-type: none"> ■ Switch off Demo mode  (see “Selecting further settings - Switching off Demo mode ”).

Problem solving guide

The interior lighting is not working

Problem	Possible cause and remedy
The interior lighting is not working.	<p>The appliance is not switched on.</p> <ul style="list-style-type: none">■ Switch the appliance on.
	<p>The Sabbath mode function is switched on: The temperature display is dark and the  symbol lights up in the display.</p> <ul style="list-style-type: none">■ You can switch off Sabbath mode at any time via the Settings mode .
	<p>There is a fault.</p> <div data-bbox="404 544 1032 826" style="border: 1px solid gray; padding: 5px;"><p> Risk of electric shock due to exposed, live electrical components!</p><p>When removing the lighting cover, there is a risk of coming into contact with live electrical components.</p><p>Do not remove the lighting cover. The LED lighting must only be repaired or replaced by a qualified technician.</p></div> <div data-bbox="404 847 1032 1070" style="border: 1px solid gray; padding: 5px;"><p> Danger of injury from LED lighting.</p><p>This lighting corresponds to risk group RG 2. If the cover is defective, there is a risk of eye injury.</p><p>If the lighting cover is defective, do not look from a close range directly into the lighting with optical instruments (e.g. magnifying glass or similar).</p></div> <ul style="list-style-type: none">■ Call Miele.

Normal noises	What causes them
Brrrrr ...	A humming noise is made by the compressor. This noise can get louder for brief periods when the compressor switches on.
Blubb, blubb ...	A gurgling noise can be heard when refrigerant is circulating through the pipes.
Click ...	Clicking sounds occur whenever the thermostat switches the compressor on or off.
Crack ...	A cracking sound can be heard when materials expand inside the appliance.
Please bear in mind that the noise of the compressor and the coolant circulating in the system is unavoidable.	

Noises	Possible cause and remedy
Rattling, vibrating, clinking	The refrigeration appliance is uneven. Realign the appliance using a spirit level. Do so by raising or lowering the adjustable feet underneath the refrigeration appliance.
	The refrigeration appliance is touching another appliance or piece of furniture. Move it away.
	Drawers, baskets or shelves are jiggling or are stuck. Check all removable items and refit them correctly.
	Bottles or containers are touching. Separate them.

Service

You can find information on how to remedy faults yourself and about Miele spare parts at www.miele.com/service.

Contact in case of fault

In the event of any faults which you cannot remedy yourself, please contact Miele.

You can book a Miele customer service call-out online at www.miele.com.au/service or www.miele.co.nz/service.

Contact information for Miele can be found at the end of this booklet.

Please quote the model and serial number of your appliance when contacting Miele. This information can be found on the data plate.

The data plate is located inside the refrigeration appliance.

Warranty

The manufacturer's warranty for this appliance is 2 years.

For more information about country-specific warranty terms and conditions, please contact Miele.

For the purpose of operating and controlling the appliance, Miele uses proprietary or third-party software that is not covered by open source licensing terms. These items of software/software components are protected by copyright. The copyright powers of Miele and third parties must be respected.

In addition, the appliance contains software components which are distributed under open source licensing terms. You can view these open source components along with the associated copyright notices, copies of the valid licensing terms and any further information in the document “Open Source Information and Licenses”. The liability and warranty arrangements for the open source licences displayed at this location only apply in relation to the respective rights holders.

The appliance contains, in particular, software components which are licensed by the rights holders under the GNU General Public License, version 2, or the GNU Lesser General Public License, version 2.1. For a period of at least 3 years following the purchase or delivery of the appliance, Miele shall provide you or third parties with a machine-readable copy of the source code for the open source components contained in the appliance, which are licensed under the terms of the GNU General Public License, version 2, or the GNU Lesser General Public License, version 2.1. The source code shall be made available on a data carrier (CD-ROM, DVD or USB stick). To obtain this source code, please contact us, specifying the product name, serial number and purchase date, by sending us an e-mail (info@miele.com) or writing to the following address:

Miele & Cie. KG
Open Source
GTZ/TIM
Carl-Miele-Straße 29
33332 Gütersloh, Germany

We wish to draw your attention to the limited warranty for the benefit of rights owners under the terms of the GNU General Public License, version 2, and the GNU Lesser General Public License, version 2.1:

This program is distributed in the hope that it will be useful, but WITHOUT ANY WARRANTY, without even the implied warranty of MERCHANTABILITY of FITNESS FOR A PARTICULAR PURPOSE. See the GNU General Public License and GNU Lesser General Public License for more details.

Miele Australia Pty. Ltd.

ACN 005 635 398
ABN 96 005 635 398

Miele Head Office Melbourne:

Level 4, 141 Camberwell Road
Hawthorn East, VIC 3123

Miele Experience Centre Doncaster:

1136/7 Doncaster Shopping Centre
619 Doncaster Rd, Doncaster, VIC 3108

Miele Experience Centre South Melbourne:

206-210 Coventry Street
South Melbourne, VIC 3205

Miele Experience Centre and Office Sydney:

3 Skyline Place
Frenchs Forest, NSW 2086

Miele Experience Centre and Office Brisbane:

Tenancy 4C, 63 Skyring Terrace
Newstead, QLD 4006

Miele Experience Centre Gold Coast:

131 Ferry Road
Southport, QLD 4215

Miele Experience Centre and Office Adelaide:

83-85 Sir Donald Bradman Drive
Hilton, SA 5033

Miele Experience Centre and Office Perth:

205-207 Stirling Highway
Claremont, WA 6010

1300 464 353 (1300 4 MIELE)

www.miele.com.au

Miele New Zealand Limited

IRD 98 463 631

**Miele Experience Centre
and Head Office Auckland:**

8 College Hill
Freemans Bay, Auckland 1011

**Miele Experience Centre
Wellington:**

183 Featherston Street
Wellington 6011

0800 464 353 (0800 4 MIELE)

www.miele.co.nz

**Miele Global Headquarters
Germany**

Miele & Cie. KG

Carl-Miele-Straße 29
33332 Gütersloh
Federal Republic of Germany

K 2601 Vi, K 2802 Vi

en-AU, NZ

M.-Nr. 11 618 781 / 02