

PFD 104 SCVi (120V) 24" Fully Integrated Dishwasher K2o

Features:

- ♦ Integrated Dishwasher for private homes, offices and commercial common areas
- ♦ Ideal for up to 5 wash cycles per day
- ♦ Tested for 12,500 program cycles
- ♦ MaxiComfort Baskets with 3D MultiFlex Drawer
- ♦ 24 min. cycle (120/208-240V)
52 min. cycle (120V)
- ♦ BrilliantLight interior lighting
- ♦ Integrated water softener
- ♦ Perfect integration into handleless kitchens
- ♦ Knock2open
- ♦ AutoOpen and AutoClose
- ♦ WiFiConn@ct as standard

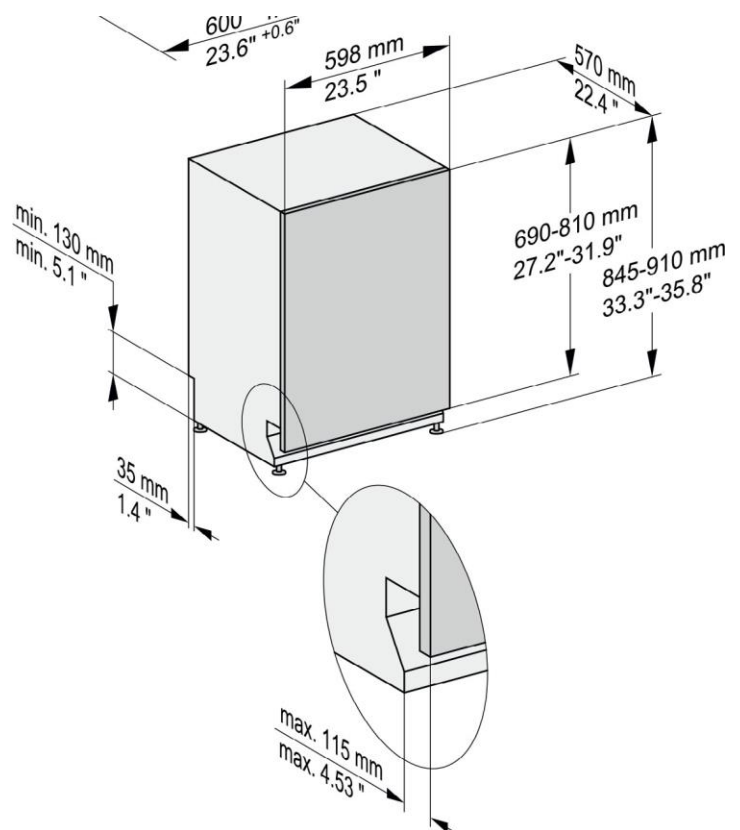


MATERIAL #	ELECTRICAL REQUIREMENTS
11605450	110V / 120V, 60Hz, 15A
11605520	120/208-240V, 60Hz, 2x30A*

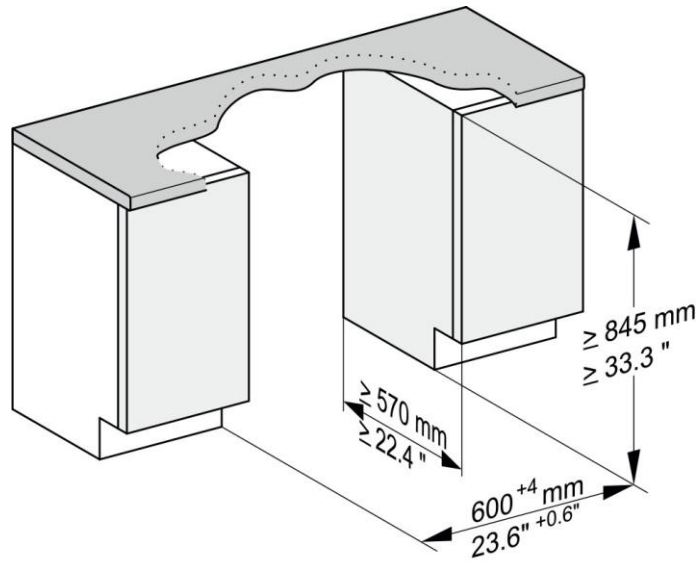
*Not convertible, to be sold as 208-240V only.

SPECIFICATIONS	
Overall Unit Dimensions	23.5" (598 mm) W 33.3" - 35.8" (845 - 910 mm) H 22.4" (570 mm) D [Depth does not include door panel]
Niche	
Minimum Cabinet Niche Opening	23 ⁵ / ₈ " (600 mm) W 33 ³ / ₄ " (845 mm) H 22 ⁷ / ₁₆ " (570 mm) D
Plumbing	
Water Supply Requirements	<ul style="list-style-type: none"> • Cold or Hot (max 140°F/60°C) water connection • Male 3/4" GHT • Water pressure range 0.73 psi (0.05 bar) to 145 psi (10 bar)
Water Connection Line (Supplied)	Length: 4.9 ft (1.5 m) Female 3/4" GHT
Drain Hose (Supplied)	Length: 4.9 ft (1.5 m) 7/8" (22 mm) internal diameter
Electrical	
Power Cord (Convertible to hardwire)	NEMA 5-15 plug, 5' 7" (1.7 m)
Sound	
Sound level	45 dB(A)
Shipping	
Shipping Weight	112 lbs (51 kg)
Shipping Dimensions	26.4" (670 mm) W 38.2" (970 mm) H 26.4" (670 mm) D

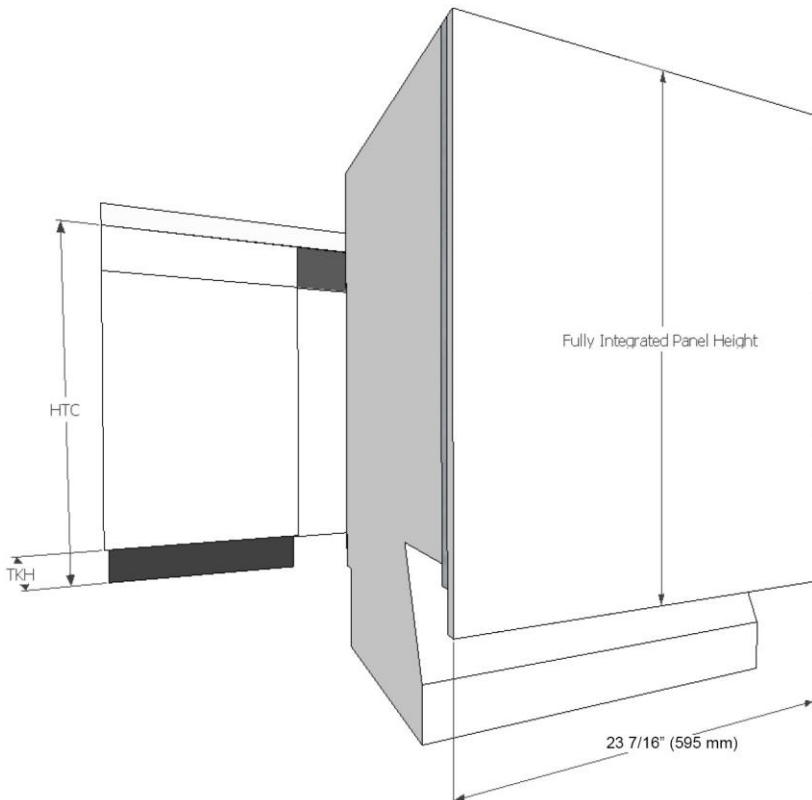
PRODUCT DIMENSIONS



CUTOUT DIMENSIONS



CUSTOM PANEL



Panel Height = HTC - TKH

HTC = Height to the underside of Countertop

TKH = Toe Kick Height

Note: Control panel is along the top edge of the unit.

Front Panel Dimensions

Length: 27.2" (690 mm) - 31.9" (810 mm)

Thickness: 0.63" (16 mm) - 0.79" (20 mm)

Width: 23.4" (595 mm) in all cases

Weight: 11 lbs (5 kg) - 26.5 lbs (12 kg)