

Miele



PDR 944 G
Gas-heated

en Installation Plan Commercial Tumble Dryer

fr Plan d'installation Sécheuse professionnelle

en - Contents

Installation notes	3
Installation requirements	3
Floor anchoring	3
Optional accessories	3
Communication box	3
XKM 3200 WL PLT	3
Supply air, exhaust, and ventilation cross-sections	4
Supply air/exhaust air	4
Calculating the total length and diameter of a supply-air or exhaust pipe.....	4
Substitute duct lengths	5
Maximum permissible total ducting length	5
Room ventilation opening for air intake from the setup room.....	6
Exhaust connection	7
Gas	12
Take these safety precautions if you smell gas	12
1. What needs to be observed before commissioning.....	13
2. What needs to be observed during commissioning	15
PDR 944, gas heated	20
Dimensions	20
Installation.....	21
Floor anchoring	22
Technical data	23
Possible voltage options	23
Exhaust air	23
Supply air	23
Gas connection.....	23
Equipotential bonding.....	23
APDR 002 communication box (optional accessory)	24
Machine data	24

Installation requirements

⚠ Risk of injury or damage to property due to improper installation.

Incorrect installation of the tumble dryer can lead to personal injury or damage to property.

It is recommended that installation and commissioning be accomplished by Miele Service or an authorized dealer.

In Massachusetts, installation must be performed by a licensed installer / gas fitter.

- ▶ The tumble dryer must be installed in accordance with all relevant regulations and standards. Observe all local codes.
- ▶ The dryer must only be operated in a room that has sufficient ventilation and which is frost-free.
- ▶ The tumble dryer must not be installed behind a closeable door or a sliding door. The maximum opening angle of the tumble dryer door must not be limited by objects or doors. It must be possible to fully open the tumble dryer door at any time.

Floor anchoring

Secure the two screw feet at the front of the tumble dryer to the floor with the tensioning straps supplied.

Optional accessories

Only use genuine Miele spare parts and accessories with this machine.

Using parts or accessories from other manufacturers may void the warranty, and Miele cannot accept liability.

Communication box

The optional communication box allows external hardware from Miele and other suppliers to be connected to the Miele Professional machine. External hardware includes e.g., peak-load systems, pressure sensors, or an external vent flap.

The communication box is supplied with voltage by the Miele Professional machine.

The separately available set consists of the communication box and fasteners for installation on the machine or on the wall.

XKM 3200 WL PLT

The optional Miele communication module can be used to establish a data connection between a Miele Professional machine and a data processor in accordance with the Ethernet or WiFi standard.

This communication module fits into the communication slot which is a standard feature on all machines. The communication module offers the option of intelligent app-based communication with external systems. In addition, it can display detailed machine and program status information.

This module forms the basis for wired communication with Miele MOVE.

It is not possible to integrate the machine into the “Miele@home” app for domestic installations.

en - Installation notes

The communication module is intended exclusively for commercial use and is supplied with voltage directly via the Miele Professional machine. No additional power connection is required. The Ethernet interface provided via the communication module complies with SELV (safety extra low voltage) requirements in accordance with EN 60950. Connected external machines must also comply with SELV.


Supply air, exhaust, and ventilation cross-sections

Supply air/exhaust air

The tumble dryer may only be operated when the ducting has been connected properly and the room is sufficiently ventilated.

Calculating the total length and diameter of a supply-air or exhaust pipe

The length of the required ductwork and the number and shape of the elbows are determined by the structural conditions on-site. In order to maximize the airflow efficiency, the pipeline should be as short as possible and contain few or minimal elbows.

 The exhaust ducting must not be made from flammable materials. Otherwise there is a risk of fire. Use only non-flammable materials for the exhaust ducting. All local regulations for metallic ducting must be observed. Plastic must not be used for ventilation.

In upward exhaust ducting systems, a condensate drain must be fitted to the bottom. The condensate must be drained via a water collection tray or a floor drain positioned in an appropriate location.

If air is being directed from multiple appliances into a combined line (exceptional circumstances), a non-return device (non-return flap) must be installed in each separate line to prevent backflow.

To make subsequent cleaning of the pipes easier, cleaning flaps should be fitted to elbows wherever possible.

The on-site exhaust ducting and venting to the outdoors must be regularly checked for lint deposits and cleaned if necessary.

Substitute duct lengths

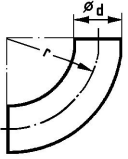
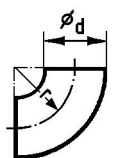
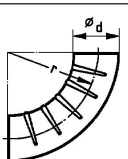
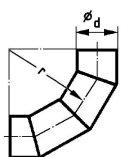
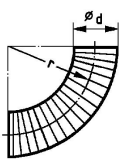
Type of elbow	Type	PDR 914/514	PDR 918/518	PDR 922/522	PDR 928/528	PDR 944/544
	90° elbow $r = 2d$	3' 7 5/16" (1.1 m) 2' 3 9/16" (0.7 m)				
	45° elbow $r = 2d$					
	90° elbow $r = d$	6' 2 13/16" (1.9 m) 3' 7 5/16" (1.1 m)				
	45° elbow $r = d$					
	90° concertina duct elbow $r = 2d$	10' 6" (3.2 m) 6' 6 3/4" (2 m)				
	45° concertina duct elbow $r = 2d$					
	90° segmented elbow $r = 2d$ (3 welded seams)	3' 11 1/4" (1.2 m)				
	90° elbow, Westaflex ducting $r = 2d$	3' 11 1/4" (1.2 m) 2' 11 7/16" (0.9 m) 3' 3 3/8" (1 m) 2' 7 1/2" (0.8 m)				
	90° elbow, Westaflex ducting $r = 4d$					
	45° elbow, Westaflex ducting $r = 2d$					
	45° elbow, Westaflex ducting $r = 4d$					
	Non-return flap	39' 4 7/16" (12 m)	39' 4 7/16" (12 m)	22' 11 9/16" (7 m)	22' 11 9/16" (7 m)	21' 3 7/8" (6.5 m)

Table 1

Maximum permissible total ducting length

Internal minimum pipe diameter (metal ducting)	PDR x14 G	PDR x18 G	PDR x22 G	PDR x28 G	PDR x44 G
5 7/8" (150 mm)	62' 4 1/16" (19 m)	49' 2 9/16" (15 m)	39' 4 7/16" (12 m)	32' 9 11/16" (10 m)	32' 9 11/16" (10 m)
7 1/16" (180 mm)	164' 1/2" (50 m)	124' 8 1/16" (38 m)	101' 8 1/2" (31 m)	88' 7" (27 m)	78' 8 7/8" (24 m)
7 7/8" (200 mm)	278' 10 7/16" (85 m)	213' 3 1/16" (65 m)	173' 10 5/8" (53 m)	157' 5 3/4" (48 m)	130' (40 m)
Permissible counter pressure in the exhaust ducting	0.04 psi (280 Pa)	0.04 psi (290 Pa)	0.04 psi (290 Pa)	0.04 psi (290 Pa)	0.03 psi (240 Pa)

Table 2


When connected to the vent ducting through the exhaust duct of a machine, particular care must be taken to make sure the connection is secure and air-tight.

With complex ducting with many bends and additional components, or when several different machines are connected to a shared duct, it is recommended that a detailed pipework calculation is carried out by a qualified specialist.

en - Installation notes

The vent ducting must not be channeled into a chimney or flue already in use for any gas-, coal-, or oil-burning installation. The warm and moist exhaust air is to be conducted outside or to a suitable venting duct over the shortest path possible. The vent ducting must be laid so that air flow is not hindered. To achieve this, use as few bends as possible along with short pipelines and well-made connections and transitions checked for air-tightness. No filters or grilles may be fitted in the vent ducting.

The end of the vent ducting leading out into the open should be protected against the elements, e.g., with a downward-facing 90° bend.

 During tumble dryer operation, the room must be adequately ventilated.

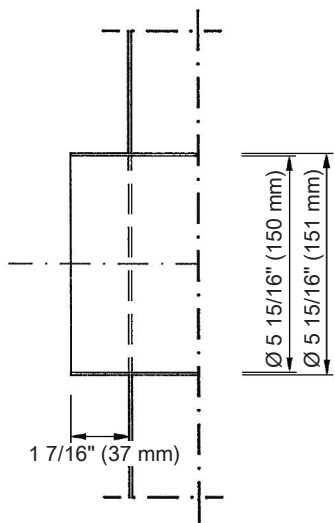
Room ventilation opening for air intake from the setup room

The minimum dimension of the ventilation opening depends on the cross-section of the vent duct.

Vent duct			Minimum dimension for ventilation opening		
⊙	□	A	A	⊙	□
6" (150 mm)	-	27 7/16" ² (177 cm ²)	82 5/16" ² (531 cm ²)	10 1/4" (260 mm)	9 1/16" (230 mm)
-	6" (150 mm)	34 7/8" ² (225 cm ²)	104 5/8" ² (675 cm ²)	11 5/8" (295 mm)	10 1/4" (260 mm)
7 1/16" (180 mm)	-	39 3/8" ² (254 cm ²)	118 1/8" ² (762 cm ²)	12 3/8" (315 mm)	11" (280 mm)
-	7 1/16" (180 mm)	50 1/4" ² (324 cm ²)	150 11/16" ² (972 cm ²)	14" (355 mm)	12 3/8" (315 mm)
7 7/8" (200 mm)	-	48 11/16" ² (314 cm ²)	146" ² (942 cm ²)	13 3/4" (350 mm)	12 3/16" (310 mm)
-	7 7/8" (200 mm)	62" ² (400 cm ²)	186" ² (1,200 cm ²)	15 9/16" (395 mm)	13 3/4" (350 mm)
8 11/16" (220 mm)	-	58 7/8" ² (380 cm ²)	176 11/16" ² (1,140 cm ²)	15" (381 mm)	14 13/16" (377 mm)
-	8 11/16" (220 mm)	75" ² (484 cm ²)	225 1/16" ² (1,452 cm ²)	16 15/16" (430 mm)	15 1/16" (382 mm)
9 13/16" (250 mm)	-	76 1/8" ² (491 cm ²)	228 5/16" ² (1,473 cm ²)	17 1/8" (435 mm)	15 3/16" (385 mm)
-	9 13/16" (250 mm)	96 7/8" ² (625 cm ²)	290 5/8" ² (1,875 cm ²)	19 5/16" (490 mm)	17 1/8" (435 mm)
11 3/16" (300 mm)	-	109 9/16" ² (707 cm ²)	328 3/4" ² (2,121 cm ²)	20 1/2" (520 mm)	18 1/8" (460 mm)
-	11 3/16" (300 mm)	139 1/2" ² (900 cm ²)	418 1/2" ² (2,700 cm ²)	23 1/4" (590 mm)	20 1/2" (520 mm)

Table 3

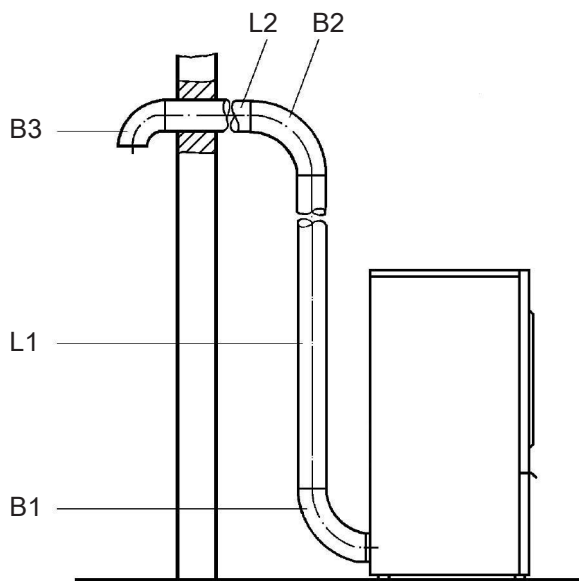
Exhaust connection



Example 1

Configuring vent ducting made from steel piping for the PDR 914/514 tumble dryers:

- L1, L2: each 9' 10" (3 m) steel piping
- B1, B2: each 90° concertina pipe elbow ($r = 2d$)
- B3: 90° elbow ($r = d$)



en - Installation notes

1. Total duct length

Steel pipe	L1 = 9' 10" (3.0 m)
Steel pipe	L2 = 9' 10" (3.0 m)
90° concertina pipe elbow (r = 2d)	B1 = 10' 6" (3.2 m)*
90° concertina pipe elbow (r = 2d)	B2 = 10' 6" (3.2 m)*
90° elbow (r = d)	B3 = 6' 3" (1.9 m)*
Total duct length	46' 11" (14.3 m)

* Substitute duct lengths according to **Table 1**

2. Duct diameter depending on total pipe length

For the calculated total pipe length of **46' 11" (14.3 m)** for a PDR 914/514, a minimum duct diameter of **6" (150 mm)** is specified for the exhaust ducting **according to Table 2**.

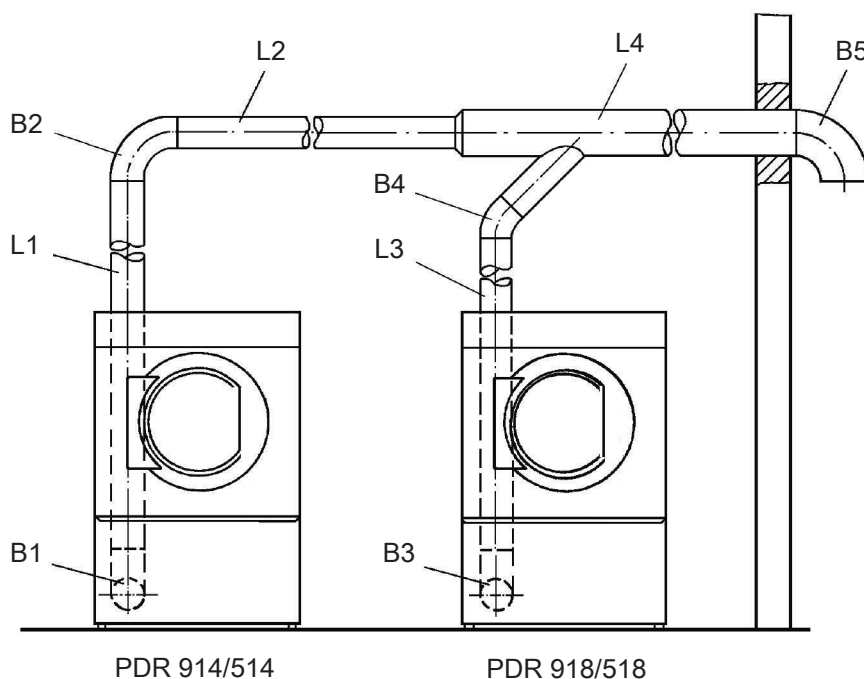
Example 2

Common combined exhaust ducting for multiple appliances should only be considered as a solution in exceptional cases.

Configuring combined exhaust ducting made from steel for the PDR 914/514 and PDR 918/518 series tumble dryers:

- L1–L4 each 6' 6" (2 m) steel piping
- B1–B3 each 90° concertina pipe elbow (r = 2d)
- B4 45° elbow (r = 2d)
- B5 90° elbow (r = d)

If the exhaust from multiple appliances is to be ducted into a combined line, a non-return device must be installed in each separate line to prevent backflow.



1. Total pipe length PDR 914/514

Steel pipe	L1 = 6' 6" (2.0 m)
Steel pipe	L2 = 6' 6" (2.0 m)
Steel pipe	L4 = 6' 6" (2.0 m)
90° concertina pipe elbow (r = 2d)	B1 = 10' 6" (3.2 m)*
90° concertina pipe elbow (r = 2d)	B2 = 10' 6" (3.2 m)*
90° elbow (r = d)	B5 = 6' 3" (1.9 m)*
Total duct length	46' 11" (14.3 m)

* Substitute pipe lengths according to **Table 1**

en - Installation notes

2. Pipe diameter depending on total pipe length

Total pipe length = **46' 11" (14.3 m)**

Maximum permissible total pipe length 62' 4" (19 m) = **Ø 6" (150 mm)** internal pipe diameter (see Table 2)

3. Total pipe length PDR 918/518

Steel pipe	L3 = 6' 6" (2.0 m)
Steel pipe	L4 = 6' 6" (2.0 m)
90° concertina pipe elbow (r = 2d)	B3 = 10' 6" (3.2 m)*
45° elbow (r = 2d)	B4 = 2' 3" (0.7 m)*
90° elbow (r = d)	B5 = 6' 2" (1.9 m)*
Total duct length	32' 1 13/16" (9.8 m)

* Substitute pipe lengths according to **Table 1**

4. Pipe diameter depending on total pipe length

Total pipe length = **32' 1 13/16" (9.8 m)** (PDR 918/518)

Maximum permissible total pipe length 49' 2" (15 m) = **Ø 6" (150 mm)** internal pipe diameter (see Table 2)

5. Total duct diameter

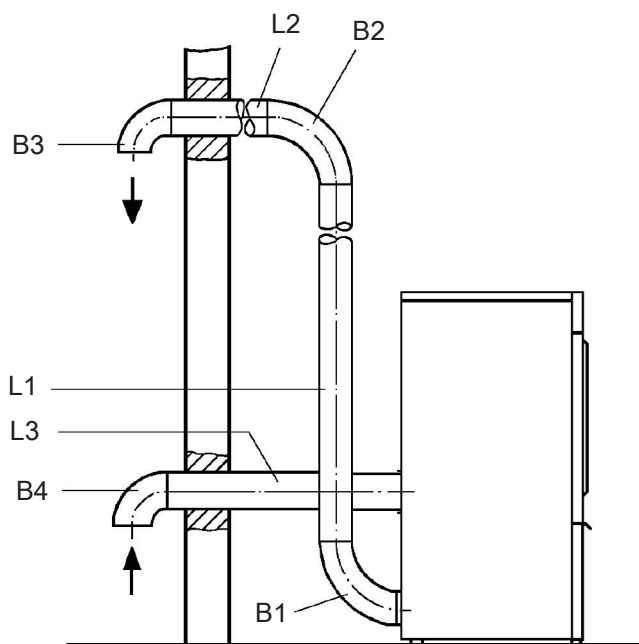
According to Table 3

Duct diameter PDR 914/514	Ø 6" (150 mm) = 27 3/8"² (177 cm²)
Duct diameter PDR 918/518	Ø 6" (150 mm) = <u>27 3/8"² (177 cm²)</u>
Total cross section A	= 54 13/16"² (354 cm²)
Total duct diameter	= Ø 8 11/16" (220 mm)

Example 3

Configuring exhaust ducting and a supply pipe made from steel for the PDR 914/514 series tumble dryer:

- L1, L2: each 6' 6" (2.0 m) steel piping
- L3: 8' 2" (2.5 m) steel piping
- B1, B2: 90° concertina pipe elbow for each
- B3, B4: 90° elbow (r = d) for each



1. Total duct length

Steel pipe	L1 = 6' 6" (2.0 m)
Steel pipe	L2 = 6' 6" (2.0 m)
Steel pipe	L3 = 8' 2" (2.5 m)
90° concertina pipe elbow	B1 = 10' 6" (3.2 m)*
90° concertina pipe elbow	B2 = 10' 6" (3.2 m)*
90° elbow (r = d)	B3 = 6' 3" (1.9 m)*
90° elbow (r = d)	B4 = 6' 3" (1.9 m)*
Total duct length	54' 9 1/2" (16.7 m)

* Substitute pipe lengths according to **Table 1**

2. Pipe diameter depending on total pipe length

For the calculated total pipe length of **54' 9" (16.7 m)** for a PDR 914/514, a minimum pipe diameter of **6" (150 mm)** is specified for the exhaust ducting and supply pipe **according to Table 2.**

en - Installation notes

Configuring the room ventilation opening

⚠ Rooms in which rotary irons and tumble dryers are operated must have an induced ventilation system (e.g., ventilation slots in windows and doors, wall openings with grilles, or opened windows or skylights).

For example 1

A duct diameter of **6" (150 mm)** was specified in example 1. According to this duct diameter, a room ventilation opening with a size of **17' 5" (531 cm)** is required. The edge length is **9 1/16" (230 mm)** (see Table 3).

For example 2

A total duct diameter of **8 11/16" (220 mm)** was specified. According to this duct diameter, a room ventilation opening with a size of **37' 4" (1,140 cm)** is required. The edge length is **14 13/16" (377 mm)** (see Table 3).

For example 3

Since in this case the tumble dryer is connected to a central air supply, additional ventilation openings are not needed.

Gas

Take these safety precautions if you smell gas

- Extinguish all flames immediately.
- Close the on-site gas shut-off device, the gas shut-off device on the gas meter or the main gas shut-off device immediately.
- Open all windows and doors immediately.
- Do not light any naked flames (e.g., matches or lighters).
- Do not smoke.
- If there is the smell of gas in a room, never enter the room with an open flame.
- Do not carry out any actions that will create electrical sparks (such as pulling out electrical plugs or pressing electrical switches or bells).
- If you cannot find the cause of the gas smell and all gas valves have been shut off, please call the gas supply company immediately.

If other persons are being shown how to operate the machine, they must be given and/or made aware of these important safety precautions.

During installation, the technical regulations for gas installations as well as national and regional building regulations, fire regulations, and specifications from the relevant gas supply companies must be adhered to.

When planning a gas-heated system, contact the relevant gas supply company and a building regulations inspector.

1. What needs to be observed before commissioning

Please specify the gas type, gas group, and connection pressure.

Installation site


Gas-heated tumble dryers must **not** be operated in a room where cleaning machines operate with solvents containing perchloroethylene or CFCs. During combustion, any vapors that are emitted will break down into hydrochloric acid, leading to consequential damage affecting laundry and the machine. Air exchange must not take place if machines are set up in separate rooms.

Rooms with fuel-burning installations must be adequately aerated and ventilated. Any gas-heated machine must be considered to be a fuel-burning installation (regardless of its gas flow rate).

If liquid gas-heated machines are being set up below ground level, the operator must provide the system with the necessary aeration and induced ventilation equipment in accordance with technical regulations for liquid propane.

If no low pressure occurs when a full fire is burning in all fuel-burning installations, this means that the room ventilation is working properly, even if the exhaust gases from the installations are being extracted mechanically. This ensures that the gas is being combusted correctly and that the exhaust gases are being evacuated completely.

It must not be possible to seal off aeration and ventilation openings.

 Before completing commissioning, maintenance, conversion, and repair work, all gas-conducting components – from the manual shut-off valve to the burner jet – must be checked for leaks.

Particular attention must be paid to the measuring stubs on the gas valve. Checks must be performed when the burner is both switched on and switched off.

- ▶ Installing thermal shut-off equipment on site is recommended.
- ▶ If gas-heated appliances are accessible to anyone, it is also necessary to check whether a gas flow monitor needs to be used.

Gas supply

Required flow rate

Appliance type	Rated heat load (Hi)	Natural gas	Liquid propane
PDR 914/514	15 kW	0.936 CFM (1.59 m ³ /h)	2.6 lb/h (1.18 kg/h)
PDR 918/518	18 kW	1.118 CFM (1.90 m ³ /h)	3.13 lb/h (1.42 kg/h)
PDR 922/522	21.5 kW	1.342 CFM (2.28 m ³ /h)	3.75 lb/h (1.70 kg/h)
PDR 928/528	30 kW	1.866 CFM (3.17 m ³ /h)	5.22 lb/h (2.37 kg/h)
PDR 944/544	36 kW	2.242 CFM (3.81 m ³ /h)	6.26 lb/h (2.84 kg/h)

The connected load is based on the following consumption calorific values:

Natural gas: 913 BTU/ft³ (34.02 MJ/m³) (Hi)

Liquid propane: 19,625 BTU/lb (45.65 MJ/kg) (Hi)

en - Installation notes

Natural gas

Natural gas	Length of gas line						
	9' 10" (3 m)	16' 4 7/8" (5 m)	32' 9 11/16" (10 m)	65' 7 3/8" (20 m)	98' 5 1/8" (30 m)	164' 1/2" (50 m)	328' 1" (100 m)
Internal diameter	Maximum flow rate						
3/4" (20 mm)	2.766 CFM (4.7 m ³ /h)	2.177 CFM (3.7 m ³ /h)	1.53 CFM (2.6 m ³ /h)	0.942 CFM (1.6 m ³ /h)	0.647 CFM (1.1 m ³ /h)	0.412 CFM (0.7 m ³ /h)	0.177 CFM (0.3 m ³ /h)
1" (25 mm)	5.061 CFM (8.6 m ³ /h)	4.061 CFM (6.9 m ³ /h)	2.825 CFM (4.8 m ³ /h)	1.824 CFM (3.1 m ³ /h)	1.412 CFM (2.4 m ³ /h)	1.118 CFM (1.9 m ³ /h)	0.53 CFM (0.9 m ³ /h)
1 1/4" (32 mm)	9.416 CFM (16.0 m ³ /h)	7.297 CFM (12.4 m ³ /h)	5.12 CFM (8.7 m ³ /h)	3.649 CFM (6.2 m ³ /h)	2.942 CFM (5.0 m ³ /h)	2.236 CFM (3.8 m ³ /h)	1.412 CFM (2.4 m ³ /h)
1 1/2" (40 mm)	15.595 CFM (26.5 m ³ /h)	12.064 CFM (20.5 m ³ /h)	8.533 CFM (14.5 m ³ /h)	6.062 CFM (10.3 m ³ /h)	4.943 CFM (8.4 m ³ /h)	3.825 CFM (6.5 m ³ /h)	2.354 CFM (4.0 m ³ /h)
2" (50 mm)	35.31 CFM (60.0 m ³ /h)	27.66 CFM (47.0 m ³ /h)	19.421 CFM (33.0 m ³ /h)	13.536 CFM (23.0 m ³ /h)	11.181 CFM (19.0 m ³ /h)	8.828 CFM (15.0 m ³ /h)	5.885 CFM (10.0 m ³ /h)

Liquid propane

Liquid propane	Length of gas line			
	16' 4 7/8" (5 m)	32' 9 11/16" (10 m)	65' 7 3/8" (20 m)	164' 1/2" (50 m)
Internal diameter	Maximum flow rate			
3/8" (10 mm)	2.87 lb/h (1.3 kg/h)	2.2 lb/h (1.0 kg/h)	-	-
1/2" (12 mm)	4.41 lb/h (2.0 kg/h)	3.31 lb/h (1.5 kg/h)	2.2 lb/h (1.0 kg/h)	-
5/8" (16 mm)	8.82 lb/h (4.0 kg/h)	6.61 lb/h (3.0 kg/h)	4.41 lb/h (2.0 kg/h)	3.31 lb/h (1.5 kg/h)
7/8" (22 mm)	19.84 lb/h (9.0 kg/h)	14.33 lb/h (6.5 kg/h)	9.92 lb/h (4.5 kg/h)	6.61 lb/h (3.0 kg/h)
1 1/16" (27 mm)	-	26.46 lb/h (12.0 kg/h)	17.64 lb/h (8.0 kg/h)	11.02 lb/h (5.0 kg/h)

Exhaust gas evacuation ducts

Gas-heated Miele Tumble Dryers are type B₂₂ gas fuel-burning installations without flow safeguarding equipment, and with a fan behind the heater.

- The mixtures of exhaust gas and air that are emitted by gas-heated tumble dryers must be evacuated through a suitable chimney and out into the atmosphere via the roof.
- Exhaust air evacuation ducts and exhaust gas evacuation ducts must be kept as short as possible. The evacuation ducts must rise vertically up to the flue.
- Only materials that are resistant to heat and sooting may be used.
- A condensate drain must be placed at the lowest point of the exhaust ducting. The condensate must be drained via a water collection tray or a floor drain positioned in an appropriate location. No filters or grilles may be fitted in the pipeline. The exhaust air or exhaust gas ducting must be installed leak-tight.

Compliance with the latest guidelines for approving exhaust gas systems containing low-temperature exhaust gases must be assured.

Exceptions

1. Where it is not possible for evacuation to take place through a single duct, appropriate measures must be taken to ensure that the exhaust gas/air mixture from the machine is not able to enter the room in which the machine is located via the exhaust duct for other machines (e.g., through the use of baffles and merged lines that do not hinder the flow). When selecting and installing equipment that will not hinder the flow, it is

important to ensure that high pressure cannot arise at the side that is not being operated. Machines fitted with fans must not be connected to the same vent flue as those without fans.

2. When evacuating the exhaust gas/air mixture through the exterior wall, no dangers or unreasonable nuisance may arise.
3. With a combined line, the exhaust air ducts for the individual machines must be installed horizontally in the combined line in a way that does not hinder the flow. The cross-section of the vent flue must not be smaller than the cross-section of the combined line. Combined lines must be kept as short as possible and must rise vertically up to the vent flue. A condensate drain is required at the lowest point.

All exceptional cases, and particularly those where a combined line is being installed, require special permission from the relevant building regulations inspector supervisor's office.

Diameter and cross-section of the exhaust ducting

Tumble dryers	Exhaust gas connection Diameter/cross-section
PDR 914/918/922/928/944/514/518/522/528/544	6"/27 1/4" (150 mm/176 cm ²)

2. What needs to be observed during commissioning

Check that the points listed in section 1 ("What needs to be observed before commissioning") have been taken into consideration. The following should be carried out in the given order when commissioning or converting the appliance:

1. Ask the gas supply company what the gas type, gas group, and connection pressure are, and compare this information with the data specified on the tumble dryer (see the sticker at the rear).
2. Check the factory-set jet pressure based on the tables "Settings with natural gas"/"Settings with liquid propane" and correct it if necessary.
3. If the gas type, gas group, or connection pressure is different, it must be converted as instructed in the section entitled "Connection and conversion instructions" and the sticker at the rear of the tumble dryer must be replaced accordingly.
4. If the gas type needs to be changed, please request the appropriate conversion kit from Miele Service. When doing so, please specify the product name and the appliance number, as well as the gas type, gas group, gas connection pressure, and country where the appliance has been set up.
5. Set the jet pressure at the tumble dryer's gas regulating valve (see tables "Settings with natural gas"/"Settings with liquid propane").
6. Switch on all gas consumers that are present (including the installed tumble dryer).
7. Measure the connection pressure. The connection pressure must be within the ranges specified in local guidelines.

Connection and conversion instructions

Connection and conversion work must be performed by Miele Service or by an authorized dealer.

The settings for tumble dryers are made at the factory in line with the gas specifications at the rear of the appliance.

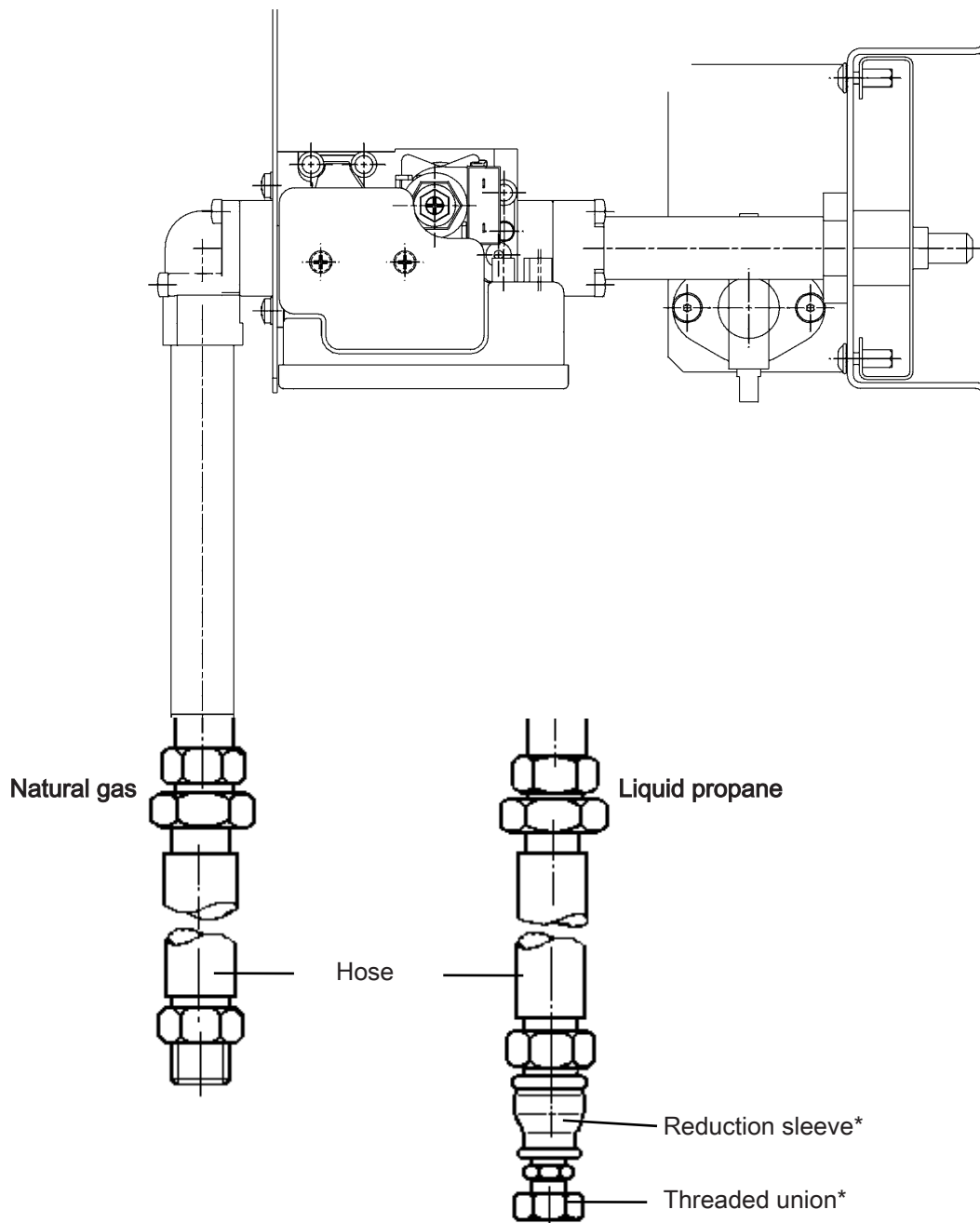
en - Installation notes

Gas hose

The gas appliance must be connected using a corrugated metal hose assembly made from stainless steel in accordance with DIN 3384. Alternatively, a hose that complies with DIN EN 16617 may be used with connections in accordance with DIN 3384.

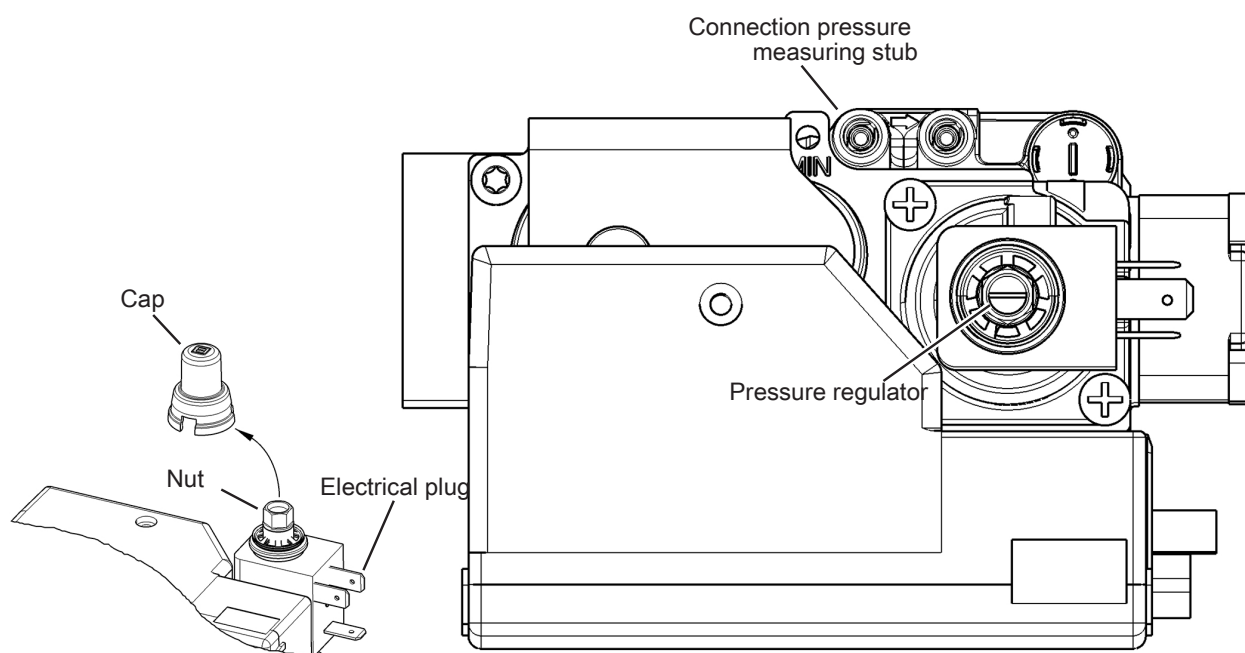
The maximum length of the hose is 6' 6" (2 m). When selecting a hose, the required flow rate and applicable national regulations must also be taken into account.

Main connection



* Supplied with the kit for converting natural gas to propane (LP).

Gas regulator valve



Jet pressure adjustment

Make sure that the maximum pressure is set first. Else the minimum pressure would be changed by turning the nut.

- Loosen the locking bolts of the connection pressure and jet pressure measuring stub.
- Check the connection pressure and jet pressure.
- Remove the cap from the pressure regulator.
- Fit a socket wrench or a ringspanner to the nut of the pressure regulator.

Setting maximum pressure at full heating

Values for natural gas: see table "Settings with natural gas"; values for liquid gas: see table "Settings with liquid propane"

- To increase or reduce the maximum jet pressure turn the nut in a clockwise or counterclockwise direction.

Adjusting the minimum pressure with power supply interrupted

- Pull out the plug. You need a slotted Screwdriver to adjust the minimum pressure.
- To increase or reduce the minimum jet pressure turn the slotted screw inside the nut in a clockwise or counterclockwise direction.

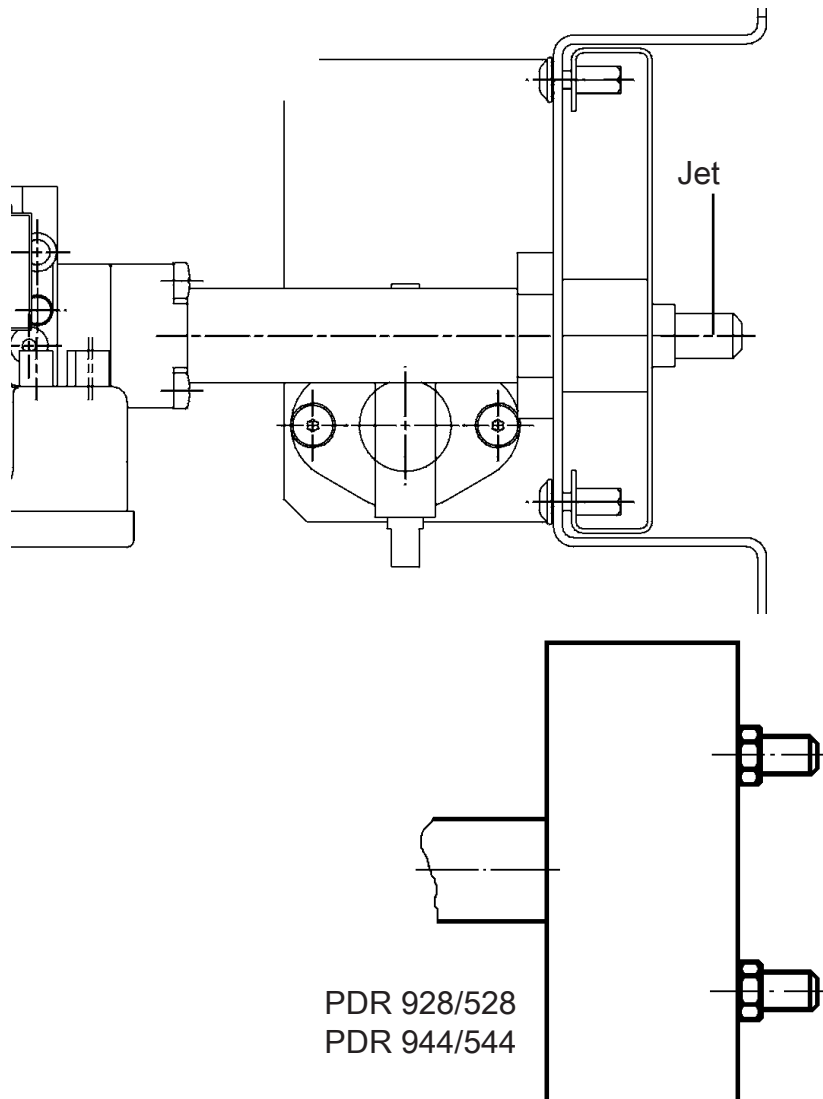
Make sure that the nut does not turn with it.

- Insert the plug again.
- Fit the cap onto the pressure regulator.
- Seal the connection pressure and jet pressure measuring stubs with the locking bolts.

en - Installation notes

Burner

PDR x14/x18/x22 = 1 jet; PDR x28/x44 = 2 jets



Burner conversion

- Replace the jet and the sealing ring (included with the conversion kit).
- Natural gas = large hole
- Liquid propane = small hole

Additional steps necessary to convert to liquid gas are outlined in the "Conversion kit for natural gas to liquid gas conversion".

⚠ Gas lines and screw connections may leak after connection and conversion work. Gas may escape.

After connection and conversion work, the gas lines, all screw connections (including those on the jets), and the locking bolts on the measuring stubs must be checked to ensure they are leak-tight. This check must be performed both while the appliance is at a standstill and while it is in operation.

Settings with natural gas

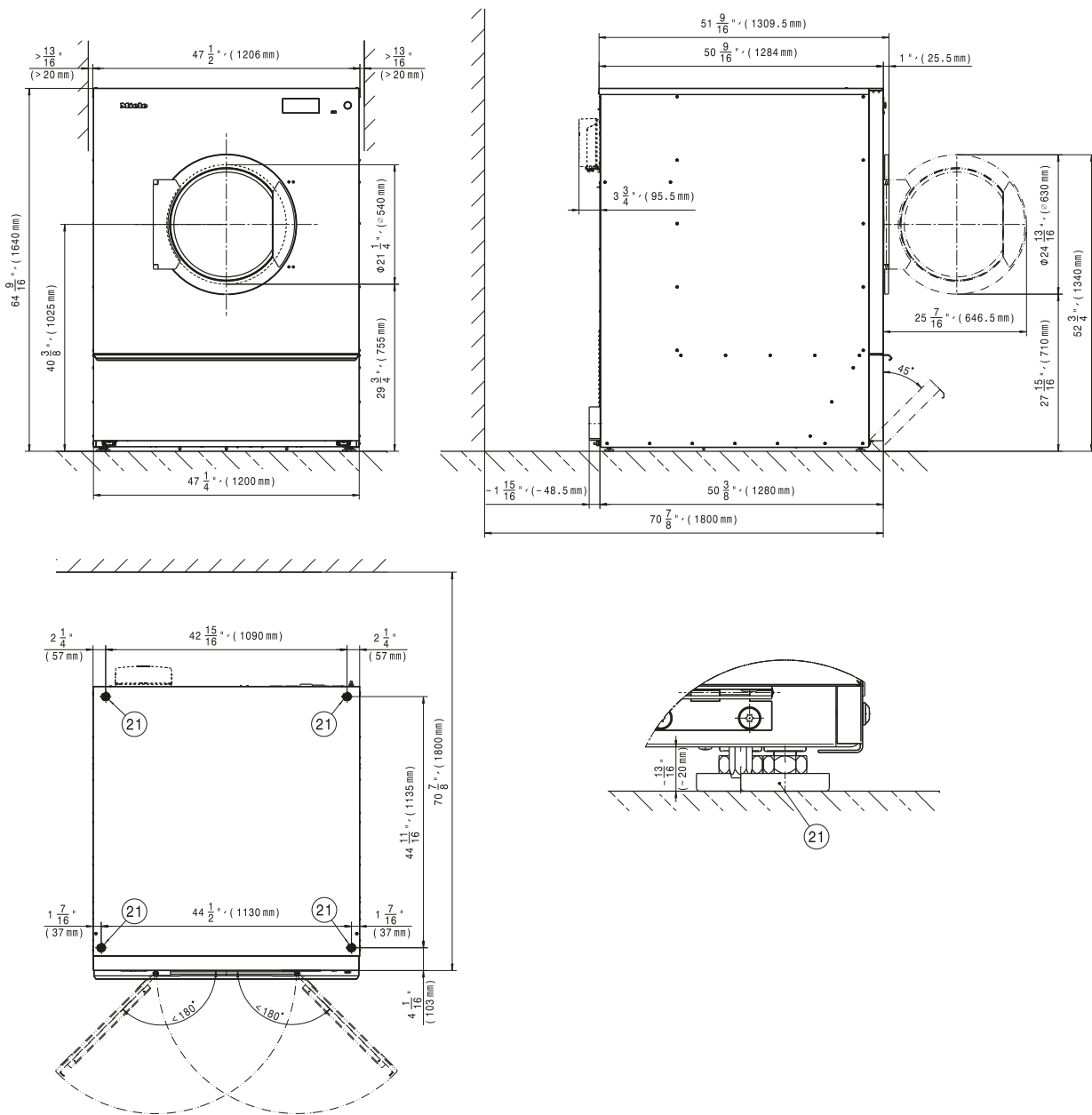
Tumble dryers	Heater rating		Jet diameter	Jet pressure	
	Partial heating	Full heating		Partial heating	Full heating
PDR 914/514	9.2 kW	16.7 kW	1/8" (3.5 mm)	36 mpsi (2.5 mbar)	123 mpsi (8.5 mbar)
PDR 918/518	11.1 kW	20.0 kW	3/16" (4 mm)	33 mpsi (2.3 mbar)	102 mpsi (7.0 mbar)
PDR 922/522	14.4 kW	23.9 kW	3/16" (4.4 mm)	39 mpsi (2.7 mbar)	106 mpsi (7.3 mbar)
PDR 928/528	18.4 kW	33.3 kW	2 x 1/8" (2 x 3.5 mm)	36 mpsi (2.5 mbar)	123 mpsi (8.5 mbar)
PDR 944/544	22.2 kW	40.0 kW	2 x 3/16" (2 x 4 mm)	33 mpsi (2.3 mbar)	109 mpsi (7.5 mbar)

Settings with liquid propane

Tumble dryers	Heater rating		Jet diameter	Jet pressure	
	Partial heating	Full heating		Partial heating	Full heating
PDR 914/514	8.3 kW	15 kW	1/16" (2.05 mm)	145 mpsi (10 mbar)	0.39 psi (27 mbar)
PDR 918/518	10 kW	18 kW	1/16" (2.2 mm)	122 mpsi (8.4 mbar)	0.39 psi (27 mbar)
PDR 922/522	13 kW	21.5 kW	1/8" (2.4 mm)	145 mpsi (10 mbar)	0.39 psi (27 mbar)
PDR 928/528	16.6 kW	30 kW	2 x 1/16" (2 x 2.05 mm)	145 mpsi (10 mbar)	0.39 psi (27 mbar)
PDR 944/544	20 kW	36 kW	2 x 1/16" (2 x 2.2 mm)	122 mpsi (8.4 mbar)	0.39 psi (27 mbar)

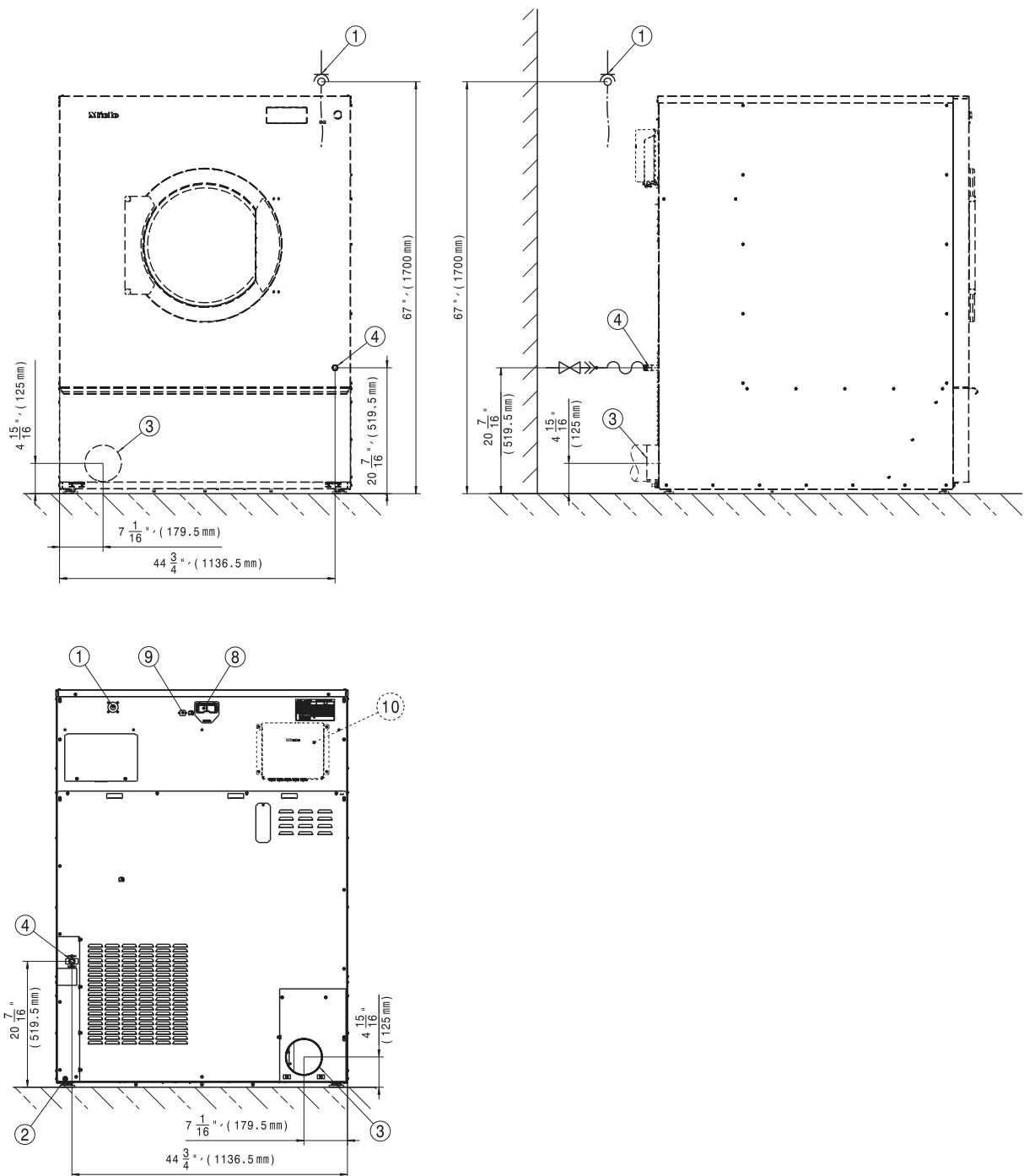
en - PDR 944, gas heated

Dimensions



② Screw foot

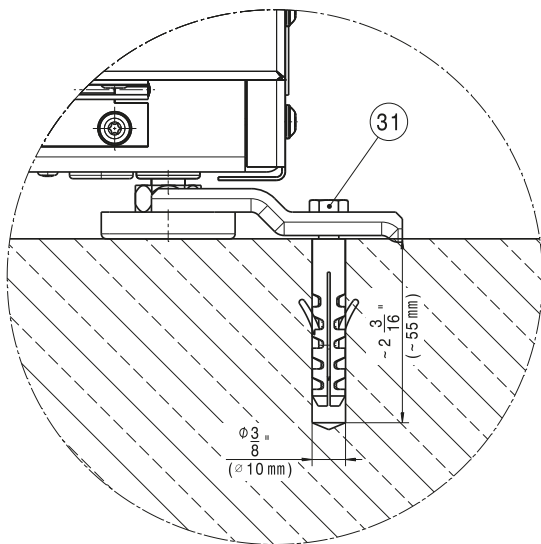
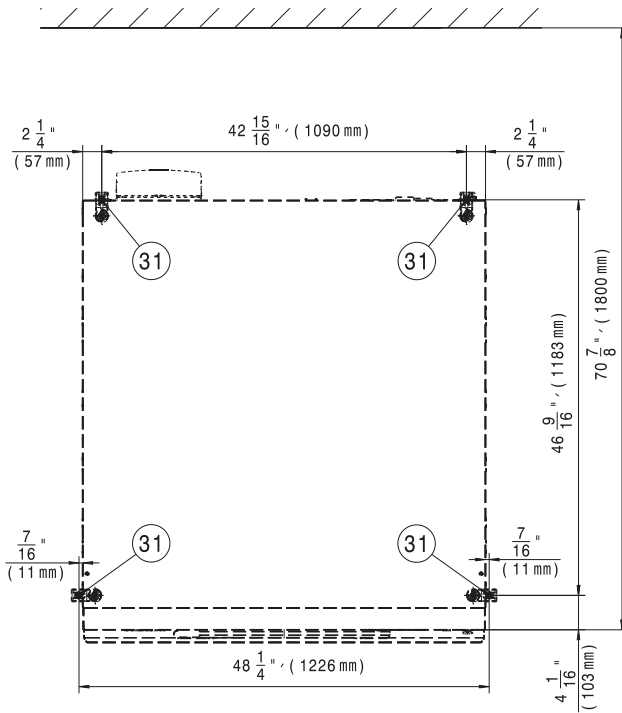
Installation



- ① Electrical connection
- ② Connection for equipotential bonding
- ③ Exhaust duct
- ④ Gas connection
- ⑧ Connection for communication module
- ⑨ Connection for communication box
- ⑩ Communication box (optional)
For setting up a connection with external systems

en - PDR 944, gas heated

Floor anchoring



③ Drill hole/anchor point

Possible voltage options

208/240 V 60 Hz 3 Ph

Power source	208/240 V 60 Hz 3 Ph
Total amps	10 A
Maximum fuse rating (time-delay fuse)	15 A
Minimum current	12.5 A

Exhaust air

Flow rate	1,010 m ³ /h
Maximum permitted pressure loss	240 Pa
Maximum exhaust air temperature	176°F (80°C)
Maximum evaporation rate	35 kg/h
Exhaust air connector on machine side	6" (DN 150)

As relative humidity inside the exhaust ducting can be as high as 100%, suitable measures must be taken to prevent a backflow of condensate into the machine.

Supply air

Standard connection: air intake from installation site

Recommended free air intake cross-section into the room: 146 sq. in. (942 cm²)
(equivalent to 3 times the exhaust air cross-section of a machine).

There must be sufficient air intake to the installation site to match the air outlet volume.

Alternative connection: air intake connection directly from outdoors

Connection sleeve on machine side (internal diameter)	6 5/16" (161 mm)
Connection pipe provided on site (external diameter)	6 5/16" (160 mm)

Removing the protective cover exposes live parts. For safety reasons, a pipe must be installed from the tumble dryer's central fresh air intake (over a minimum length of 35 7/16" (900 mm)) and secured with 2 screws.

Gas connection

Appliance connection on machine side	1/2"
Heater rating	31,390/56,980 BTU/hr
Connection pressure natural gas	6.825–10.48 in.WC (1,700–2,610 Pa)
Jet pressure at minimum heating stage	0.92 in.WC (230 Pa)
Jet pressure at maximum heating stage	3.01 in.WC (750 Pa)

Equipotential bonding

Connection with male thread	10 × 35 mm
Washers and nuts	M10
Accessories for equipotential bonding are not supplied and need to be ordered separately.	

en - Technical data

APDR 002 communication box (optional accessory)

Electrical connection	~ 200–240 V, 50/60 Hz
Net height	9 9/16" (243 mm)
Net width	11 3/4" (298 mm)
Net depth	3 3/4" (96 mm)
Gross height (including packaging)	5 11/16" (145 mm)
Gross width (including packaging)	11 1/2" (292 mm)
Gross depth (including packaging)	23 7/16" (595 mm)
Net weight	7.5 lb (3.4 kg)
Gross weight (including packaging)	8.274 lb (3.75 kg)

Machine data

Machine width, total	47 1/2" (1,206 mm)
Machine height, total	64 9/16" (1,640 mm)
Machine depth, total	54 1/2" (1,384 mm)
Niche width	61" (1,550 mm)
Minimum wall spacing (up to the back edge of the lid)	19 11/16" (500 mm)
Packaging width	54 3/4" (1,390 mm)
Packaging height	69 1/2" (1,766 mm)
Packaging depth	58 1/16" (1,474 mm)
Maximum gross volume	956 gal (3,618.3 L)
Maximum gross weight	746 lb (338.4 kg)
Maximum net weight	700 lb (320.3 kg)
Maximum floor load in operation	3,790 N
Diameter of exhaust duct	5 7/8" (150 mm)
Drum diameter	43 5/16" (1,100 mm)
Diameter of drum opening	20 1/2" (520 mm)
Drum depth	34 1/2" (876 mm)
Drum volume	211 gal (800 L)
Door opening diameter	20 1/2" (520 mm)
Maximum door opening angle	180°
Emission sound pressure level	61 dB(A) re 20 µPa
Sound power level	71 dB(A)
Average heat dissipation rate into the room	4 MJ/h
Permissible ambient temperature range during use	36–104°F (2–40°C)

Remarques sur l'installation	26
Conditions d'installation.....	26
Ancrage au sol.....	26
Accessoires en option	26
Boîtier de communication	26
XKM 3200 WL PLT.....	26
Sections d'alimentation en air, d'évacuation et de ventilation.....	27
Alimentation en air / évacuation d'air	27
Calcul de la longueur totale et du diamètre d'un tuyau d'évacuation d'air ou d'alimentation en air.....	27
Longueurs des conduites de substitution.....	28
Longueur totale de la conduite d'évacuation maximale autorisée.....	28
Ouverture de ventilation de la pièce pour l'admission d'air provenant de la salle d'installation.....	30
Raccord d'évacuation	31
Gaz.....	38
En cas d'odeur de gaz, prendre les mesures de sécurité suivantes	38
1. Ce qu'il convient de vérifier avant la mise en service	39
2. Ce qu'il convient de vérifier pendant la mise en service	41
PDR 944, chauffage au gaz	47
Dimensions	47
Installation.....	48
Ancrage au sol.....	49
Données techniques	50
Variantes de tension possibles.....	50
Évacuation d'air.....	50
Alimentation en air	50
Raccordement au gaz	50
Liaison équipotentielle.....	50
Boîtier de communication APDR 002 (accessoire en option).....	51
Caractéristiques de l'appareil	51

fr - Remarques sur l'installation

Conditions d'installation

⚠ Risque de blessures ou de dommages matériels dû à une installation incorrecte. Une installation incorrecte de la sècheuse peut entraîner des blessures ou des dommages matériels.

Il est recommandé que l'installation et la mise en service soient effectuées par un revendeur agréé ou par le service technique Miele.

Dans le Massachusetts, l'installation doit être effectuée uniquement par un gazier / installateur de gaz certifié.

- ▶ La sècheuse doit être installée conformément à toutes les réglementations et normes en vigueur. Respecter tous les codes locaux.
- ▶ La sècheuse ne doit être utilisée que dans une pièce suffisamment ventilée et à l'abri du gel.
- ▶ La sècheuse ne doit pas être installée derrière une porte refermable ou coulissante. L'angle d'ouverture maximum de la sècheuse ne doit pas être obstrué par des objets ou des portes. La porte du tambour de la sècheuse doit pouvoir être entièrement ouverte à tout moment.

Ancrage au sol

Fixer au sol les deux pieds à visser à l'avant de la sècheuse à l'aide des bandes de tension fournies.

Accessoires en option

Utiliser uniquement les accessoires et les pièces de rechange d'origine Miele avec cet appareil.

Si des pièces de rechange ou des accessoires d'autres fabricants sont utilisés, la garantie sera annulée, et Miele n'acceptera aucune responsabilité.

Boîtier de communication

Le boîtier de communication en option permet de raccorder le matériel externe de Miele et d'autres fournisseurs à l'appareil Miele Professional. Le matériel externe comprend, par exemple, des systèmes de délestage, des capteurs de pression ou une soupape d'évacuation externe.

Le boîtier de communication est fourni avec la tension réseau par l'appareil Miele Professional.

Le jeu disponible séparément comprend le boîtier de communication et les fixations pour l'installation sur l'appareil ou sur le mur.

XKM 3200 WL PLT

Le module de communication Miele en option peut être utilisé pour établir une connexion de données entre un appareil Miele Professional et un système de traitement des données, conformément à la norme Ethernet ou Wi-Fi.

Ce module de communication s'insère dans la fente de communication faisant partie de l'équipement standard de tous les appareils. Le module de communication offre l'option d'une communication intelligente basée sur une application avec des systèmes externes. De plus, il peut afficher des informations détaillées sur l'état de l'appareil et du programme.

Ce module constitue la base de la communication câblée avec Miele MOVE.

Il n'est pas possible d'intégrer l'appareil dans l'application « Miele@home » pour les installations domestiques.

Le module de communication est destiné exclusivement à un usage de qualité professionnelle, et est alimenté en tension directement par l'appareil Miele Professional. Aucun raccordement électrique supplémentaire n'est nécessaire. L'interface Ethernet fournie par le module de communication est conforme aux exigences de la TBTS (Très basse tension de sécurité) selon la norme EN 60950. Les appareils externes branchés doivent également respecter la TBTS.

Sections d'alimentation en air, d'évacuation et de ventilation

Alimentation en air / évacuation d'air

La sécheuse ne peut être utilisée que lorsque les conduites d'évacuation d'air ont été correctement raccordées et que la pièce est suffisamment ventilée.

Calcul de la longueur totale et du diamètre d'un tuyau d'évacuation d'air ou d'alimentation en air

La longueur de la tuyauterie requise ainsi que le nombre et la forme des coudes sont déterminés par les conditions structurelles sur place. Afin d'optimiser l'efficacité de la circulation de l'air, la tuyauterie doit être aussi courte que possible et contenir peu ou pas de coudes.

⚠ La conduite d'évacuation d'air ne doit pas être fabriquée à partir de matériaux inflammables.

Sinon, il existe un risque d'incendie.

Utiliser uniquement des matériaux non inflammables pour la conduite d'évacuation d'air. Toutes les réglementations locales relatives aux conduites d'évacuation métalliques doivent être respectées. Le plastique ne doit pas être utilisé pour la ventilation.

Dans les systèmes de conduite d'évacuation d'air inclinés vers le haut, une évacuation du condensat doit être installée dans la partie inférieure. Le condensat doit être évacué via un bac de récupération d'eau ou d'une vidange au sol placée à un endroit approprié.

Si l'air est dirigé depuis plusieurs appareils vers une ligne combinée (circonstances exceptionnelles), un dispositif anti-retour (clapet anti-retour) doit être installé sur chaque ligne afin d'éviter tout reflux.

Pour faciliter grandement le nettoyage ultérieur des conduites, il convient d'installer, dans la mesure du possible, des clapets de nettoyage sur les coudes.

Les conduites d'évacuation d'air et la ventilation vers l'extérieur doivent être régulièrement contrôlées pour vérifier l'absence de dépôts de peluches, puis nettoyées si nécessaire.

fr - Remarques sur l'installation

Longueurs des conduites de substitution

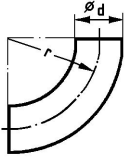
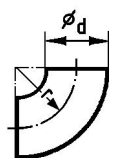
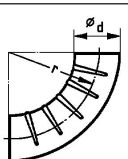
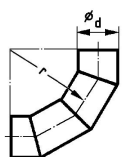
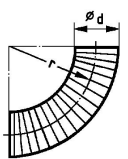
Type de coude	Type	PDR 914/514	PDR 918/518	PDR 922/522	PDR 928/528	PDR 944/544
	Coude de 90° $r = 2d$	1,1 m (3 pi 7 5/16 po)				
	Coude de 45° $r = 2d$	0,7 m (2 pi 3 9/16 po)				
	Coude de 90° $r = d$	1,9 m (6 pi 2 13/16 po)				
	Coude de 45° $r = d$	1,1 m (3 pi 7 5/16 po)				
	Coude de conduite Concer- tina de 90° $r = 2d$	3,2 m (10 pi 6 po)				
	Coude de conduite Concer- tina de 45° $r = 2d$	2 m (6 pi 6 3/4 po)				
	Coude segmenté de 90° (3 joints soudés) $r = 2d$	1,2 m (3 pi 11 1/4 po)				
	Coude de 90°, conduite d'évacuation Westaflex $r = 2d$	1,2 m (3 pi 11 1/4 po)				
	Coude de 90°, conduite d'évacuation Westaflex $r = 4d$	0,9 m (2 pi 11 7/16 po)				
	Coude de 45°, conduite d'évacuation Westaflex $r = 2d$	1 m (3 pi 3 3/8 po)				
	Coude de 45°, conduite d'évacuation Westaflex $r = 4d$	0,8 m (2 pi 7 1/2 po)				
	Clapet anti-retour	12 m (39 pi 4 7/16 po)	12 m (39 pi 4 7/16 po)	7 m (22 pi 11 9/16 po)	7 m (22 pi 11 9/16 po)	6,5 m (21 pi 3 7/8 po)

Tableau 1

Longueur totale de la conduite d'évacuation maximale autorisée

Diamètre de tuyau minimum interne (conduite d'évacuation métallique)	PDR x14 G	PDR x18 G	PDR x22 G	PDR x28 G	PDR x44 G
150 mm (5 7/8 po)	19 m (62 pi 4 1/16 po)	15 m (49 pi 2 9/16 po)	12 m (39 pi 4 7/16 po)	10 m (32 pi 9 11/16 po)	10 m (32 pi 9 11/16 po)
180 mm (7 1/16 po)	50 m (164 pi 1/2 po)	38 m (124 pi 8 1/16 po)	31 m (101 pi 8 1/2 po)	27 m (88 pi 7 po)	24 m (78 pi 8 7/8 po)
200 mm (7 7/8 po)	85 m (278 pi 10 7/16 po)	65 m (213 pi 3 1/16 po)	53 m (173 pi 10 5/8 po)	48 m (157 pi 5 3/4 po)	40 m (130 pi)
Contre-pression admissible dans la conduite d'évacuation d'air	0,04 psi (280 Pa)	0,04 psi (290 Pa)	0,04 psi (290 Pa)	0,04 psi (290 Pa)	0,03 psi (240 Pa)

Tableau 2

En cas de raccordement à la conduite d'évacuation d'air par le raccord d'évacuation d'air d'un appareil, veiller tout particulièrement à ce que le raccordement soit sécurisé et étanche à l'air.

fr - Remarques sur l'installation

Avec des conduites d'évacuation complexes à plusieurs courbures et d'autres composants, ou avec le raccordement de plusieurs appareils différents sur une conduite commune, il est recommandé de demander à un spécialiste qualifié de procéder à un calcul détaillé de la tuyauterie.

La conduite d'évacuation d'air ne doit pas passer dans une cheminée ou un conduit de fumée déjà utilisé pour une installation de chauffage au gaz, au charbon ou au mazout. L'évacuation d'air chaud et humide doit être dirigée vers l'extérieur ou vers une conduite d'évacuation appropriée par le chemin le plus court possible. La conduite d'évacuation d'air doit être posée de manière à ne pas gêner la circulation de l'air. Pour cela, utiliser le moins de coudes possible, des tuyauteries courtes et des raccords et transitions parfaitement conçus, dont l'étanchéité à l'air a été vérifiée. Aucun filtre ni aucune grille ne doit être inséré(e) dans la conduite d'évacuation d'air.

L'extrémité de la conduite d'évacuation d'air débouchant à l'extérieur doit être protégée contre les éléments, par ex. avec un coude de 90° tourné vers le bas.

 Lorsque la sécheuse est en marche, la pièce doit être suffisamment ventilée.

fr - Remarques sur l'installation

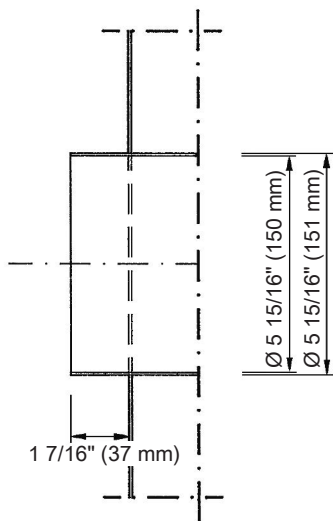
Ouverture de ventilation de la pièce pour l'admission d'air provenant de la salle d'installation

La dimension minimale de l'ouverture de ventilation dépend de la section de la conduite d'évacuation.

Conduite d'évacuation			Dimension minimale de l'ouverture de ventilation		
⊙	□	A	A	⊙	□
150 mm (6 po)	-	177 cm ² (27 7/16 po ²)	531 cm ² (82 5/16 po ²)	260 mm (10 1/4 po)	230 mm (9 1/16 po)
-	150 mm (6 po)	225 cm ² (34 7/8 po ²)	675 cm ² (104 5/8 po ²)	295 mm (11 5/8 po)	260 mm (10 1/4 po)
180 mm (7 1/16 po)	-	254 cm ² (39 3/8 po ²)	762 cm ² (118 1/8 po ²)	315 mm (12 3/8 po)	280 mm (11 po)
-	180 mm (7 1/16 po)	324 cm ² (50 1/4 po ²)	972 cm ² (150 11/16 po ²)	355 mm (14 po)	315 mm (12 3/8 po)
200 mm (7 7/8 po)	-	314 cm ² (48 11/16 po ²)	942 cm ² (146 po ²)	350 mm (13 3/4 po)	310 mm (12 3/16 po)
-	200 mm (7 7/8 po)	400 cm ² (62 po ²)	1200 cm ² (186 po ²)	395 mm (15 9/16 po)	350 mm (13 3/4 po)
220 mm (8 11/16 po)	-	380 cm ² (58 7/8 po ²)	1140 cm ² (176 11/16 po ²)	381 mm (15 po)	377 mm (14 13/16 po)
-	220 mm (8 11/16 po)	484 cm ² (75 po ²)	1452 cm ² (225 1/16 po ²)	430 mm (16 15/16 po)	382 mm (15 1/16 po)
250 mm (9 13/16 po)	-	491 cm ² (76 1/8 po ²)	1473 cm ² (228 5/16 po ²)	435 mm (17 1/8 po)	385 mm (15 3/16 po)
-	250 mm (9 13/16 po)	625 cm ² (96 7/8 po ²)	1875 cm ² (290 5/8 po ²)	490 mm (19 5/16 po)	435 mm (17 1/8 po)
300 mm (11 3/16 po)	-	707 cm ² (109 9/16 po ²)	2121 cm ² (328 3/4 po ²)	520 mm (20 1/2 po)	460 mm (18 1/8 po)
-	300 mm (11 3/16 po)	900 cm ² (139 1/2 po ²)	2700 cm ² (418 1/2 po ²)	590 mm (23 1/4 po)	520 mm (20 1/2 po)

Tableau 3

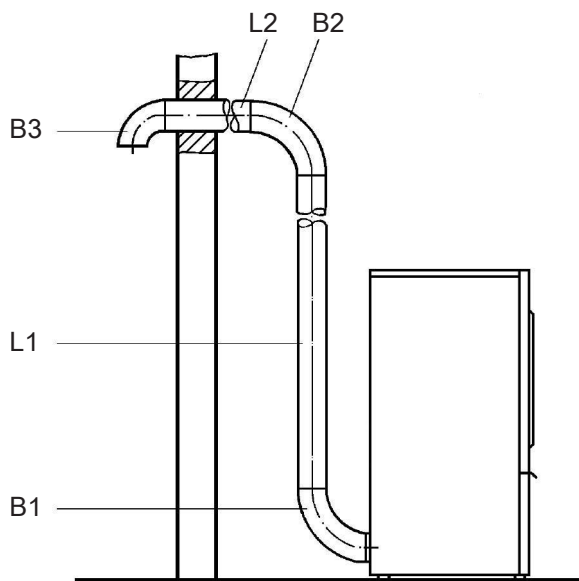
Raccord d'évacuation



Exemple 1

Configuration des conduites d'évacuation en acier pour les sècheuses PDR 914/514 :

- L1, L2 : chaque tuyau en acier de 3 m (9 pi 10 po)
- B1, B2 : chaque coude de tuyau Concertina de 90° ($r = 2d$)
- B3 : coude de 90° ($r = d$)



fr - Remarques sur l'installation

1. Longueur totale de la conduite

Tuyau en acier	L1 = 3,0 m (9 pi 10 po)
Tuyau en acier	L2 = 3,0 m (9 pi 10 po)
Coude de tuyau Concertina de 90° (r = 2d)	B1 = 3,2 m (10 pi 6 po)*
Coude de tuyau Concertina de 90° (r = 2d)	B2 = 3,2 m (10 pi 6 po)*
Coude de 90° (r = d)	B3 = 1,9 m (6 pi 3 po)*

Longueur totale de la conduite	14,3 m (46 pi 11 po)
---------------------------------------	-----------------------------

* Longueurs des conduites de substitution selon le **tableau 1**

2. Diamètre de la conduite en fonction de la longueur de tuyau totale

Pour la longueur de tuyau totale calculée de **14,3 m (46 pi 11 po)** d'une sécheuse PDR 914/514, un diamètre de conduite minimum de **150 mm (6 po)** est spécifié pour la conduite d'évacuation d'air selon le **tableau 2**.

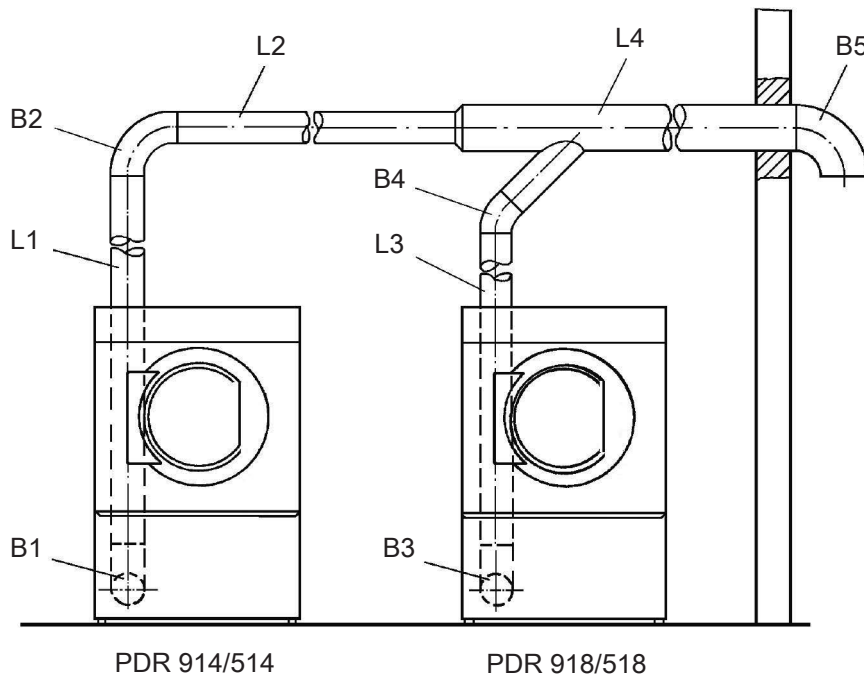
Exemple 2

Les conduites d'évacuation d'air combinées communes de plusieurs appareils doivent être considérées comme une solution uniquement dans des cas exceptionnels.

Configuration des conduites d'évacuation d'air combinées en acier pour les sècheuses des séries PDR 914/514 et PDR 918/518 :

- L1-L4 chaque tuyau en acier de 2 m (6 pi 6 po)
- B1-B3 chaque coude de tuyau Concertina de 90° ($r = 2d$)
- B4 Coude de 45° ($r = 2d$)
- B5 Coude de 90° ($r = d$)

Si l'évacuation depuis plusieurs appareils doit être acheminée vers une ligne combinée, un dispositif anti-retour doit être installé sur chaque ligne afin d'éviter tout reflux.



fr - Remarques sur l'installation

1. Longueur de tuyau totale de la sécheuse PDR 914/514

Tuyau en acier	L1= 2,0 m (6 pi 6 po)
Tuyau en acier	L2= 2,0 m (6 pi 6 po)
Tuyau en acier	L4= 2,0 m (6 pi 6 po)
Coude de tuyau Concertina de 90° (r = 2d)	B1 = 3,2 m (10 pi 6 po)*
Coude de tuyau Concertina de 90° (r = 2d)	B2 = 3,2 m (10 pi 6 po)*
Coude de 90° (r = d)	B5 = 1,9 m (6 pi 3 po)*

Longueur totale de la conduite **14,3 m (46 pi 11 po)**

* Longueurs des tuyaux de substitution selon le **tableau 1**

2. Diamètre du tuyau en fonction de la longueur de tuyau totale

Longueur de tuyau totale = **14,3 m (46 pi 11 po)**

Longueur totale admissible maximale du tuyau 19 m (62 pi 4 po) = **Ø 150 mm (6 po)** du diamètre de tuyau interne (voir le tableau 2)

3. Longueur de tuyau totale de la sécheuse PDR 918/518

Tuyau en acier	L3 = 2,0 m (6 pi 6 po)
Tuyau en acier	L4= 2,0 m (6 pi 6 po)
Coude de tuyau Concertina de 90° (r = 2d)	B3 = 3,2 m (10 pi 6 po)*
Coude de 45° (r = 2d)	B4 = 0,7 m (2 pi 3 po)*
Coude de 90° (r = d)	B5 = 1,9 m (6 pi 2 po)*

Longueur totale de la conduite **9,8 m (32 pi 1 13/16 po)**

* Longueurs des tuyaux de substitution selon le **tableau 1**

4. Diamètre du tuyau en fonction de la longueur de tuyau totale

Longueur de tuyau totale = **9,8 m (32 pi 1 13/16 po)** (PDR 918/518)

Longueur totale admissible maximale du tuyau 15 m (49 pi 2 po) = **Ø 150 mm (6 po)** du diamètre de tuyau interne (voir le tableau 2)

5. Diamètre total de la conduite

Selon le tableau 3

Diamètre de conduite de la
sècheuse PDR 914/514 \varnothing 150 mm (6 po) = 177 cm^2
($27 \frac{3}{8} \text{ po}^2$)

Diamètre de conduite de la
sècheuse PDR 918/518 \varnothing 150 mm (6 po) = 177 cm^2
($27 \frac{3}{8} \text{ po}^2$)

Section totale A = 354 cm^2 ($54 \frac{13}{16} \text{ po}^2$)

Diamètre total de la conduite = \varnothing 220 mm ($8 \frac{11}{16} \text{ po}$)

fr - Remarques sur l'installation

Exemple 3

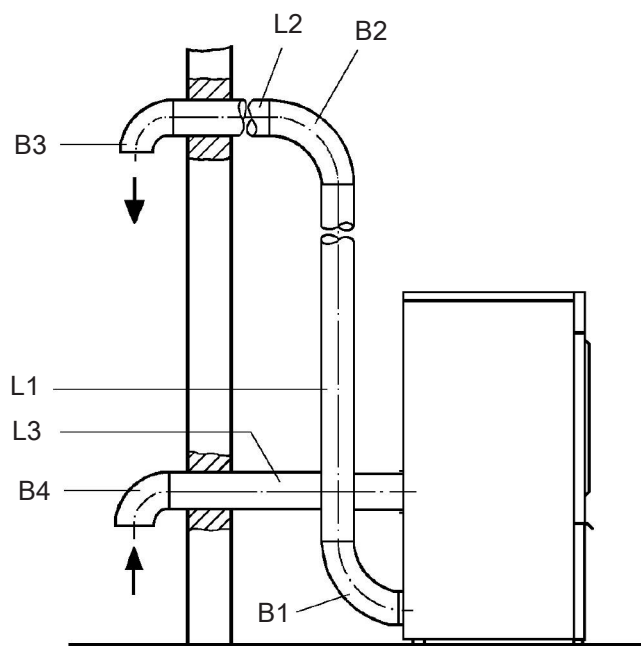
Configuration de la conduite d'évacuation d'air et d'un tuyau d'alimentation en tôle pour la sècheuse des séries PDR 914/514 :

L1, L2 : chaque tuyau métallique de 2,0 m (6 pi 6 po)

L3 : tuyau métallique de 2,5 m (8 pi 2 po)

B1, B2 : chaque coude de tuyau Concertina de 90°

B3, B4 : chaque courbure de 90° (r = d)



1. Longueur totale de la conduite

Tuyau en acier	L1= 2,0 m (6 pi 6 po)
Tuyau en acier	L2= 2,0 m (6 pi 6 po)
Tuyau en acier	L3 = 2,5 m (8 pi 2 po)
Coude de tuyau Concertina de 90°	B1 = 3,2 m (10 pi 6 po)*
Coude de tuyau Concertina de 90°	B2 = 3,2 m (10 pi 6 po)*
Coude de 90° (r = d)	B3 = 1,9 m (6 pi 3 po)*
Coude de 90° (r = d)	B4 = 1,9 m (6 pi 3 po)*
Longueur totale de la conduite	16,7 m (54 pi 9 1/2 po)

* Longueurs des tuyaux de substitution selon le **tableau 1**

2. Diamètre du tuyau en fonction de la longueur de tuyau totale

Pour la longueur de tuyau totale calculée de **16,7 m (54 pi 9 po)** d'une sécheuse PDR 914/514, un diamètre de tuyau minimum de **150 mm (6 po)** est spécifié pour la conduite d'évacuation d'air et le tuyau d'alimentation selon le **tableau 2**.

fr - Remarques sur l'installation

Configuration de l'ouverture de ventilation de la pièce

⚠ Les pièces dans lesquelles des repasseuses et des sècheuses sont utilisées doivent disposer d'un système d'aération forcée (par ex. des fentes d'aération dans les fenêtres et les portes, des percées de mur avec des grilles, ou des claires-voies ou des fenêtres ouvertes).

Pour l'exemple 1

Un diamètre de conduite de **150 mm (6 po)** a été spécifié dans l'exemple 1. Selon ce diamètre de conduite, une ouverture de ventilation de la pièce d'une dimension de **531 cm (17 pi 5 po)** est requise. La longueur du bord est de **230 mm (9 1/16 po)** (voir le tableau 3).

Pour l'exemple 2

Un diamètre de conduite total de **220 mm (8 11/16 po)** a été spécifié. Selon ce diamètre de conduite, une ouverture de ventilation de la pièce d'une dimension de **1140 cm (37 pi 4 po)** est requise. La longueur du bord est de **377 mm (14 13/16 po)** (voir le tableau 3).

Pour l'exemple 3

Comme dans ce cas la sècheuse est raccordée à un système central d'alimentation en air, des ouvertures de ventilation supplémentaires ne sont pas nécessaires.

Gaz

En cas d'odeur de gaz, prendre les mesures de sécurité suivantes

- Éteindre immédiatement toutes les flammes.
- Couper immédiatement le dispositif d'arrêt du gaz sur place, le dispositif d'arrêt du gaz sur le compteur de gaz ou le dispositif d'arrêt du gaz principal.
- Ouvrir immédiatement toutes les fenêtres et les portes.
- Ne pas allumer de flammes nues (par ex. allumettes ou briquets).
- Ne pas fumer.
- En cas d'odeur de gaz dans une pièce, ne jamais y pénétrer avec une flamme nue.
- Ne pas effectuer d'actions susceptibles de créer des étincelles électriques (comme retirer une fiche électrique ou appuyer sur un interrupteur ou une sonnette électrique).
- Si la cause de l'odeur de gaz n'est pas identifiée et que tous les robinets de gaz ont été fermés, appeler immédiatement le fournisseur de gaz.

Si d'autres personnes reçoivent des instructions sur l'utilisation de l'appareil, elles doivent être informées et/ou sensibilisées à l'importance de ces mesures de sécurité.

Lors de l'installation, il convient de respecter les directives techniques relatives aux installations de gaz, ainsi que les réglementations nationales et régionales en matière de construction, les réglementations en matière d'incendie et les spécifications des fournisseurs de gaz concernés.

Lors de la planification de l'installation d'un système de chauffage au gaz, il convient de contacter le fournisseur de gaz concerné et un inspecteur des règles de construction.

1. Ce qu'il convient de vérifier avant la mise en service

Spécifier le type de gaz, le groupe de gaz et la pression de raccordement.

Lieu d'installation


Les sècheuses chauffées au gaz ne doivent **pas** être utilisées dans une pièce où des appareils de nettoyage fonctionnent avec des solvants contenant du perchloroéthylène ou des CFC. Pendant la combustion, les vapeurs émises se décomposent en acide chlorhydrique, ce qui entraîne des dommages conséquents sur le linge et l'appareil. Il ne doit pas y avoir d'échange d'air si les appareils sont installés dans des pièces séparées.

Les pièces où se trouvent des installations de combustion doivent être suffisamment aérées et ventilées. Tout appareil chauffé au gaz doit être considéré comme une installation de combustion (quel que soit son débit de gaz).

Si des appareils chauffés au gaz liquéfié sont installés sous le niveau du sol, l'opérateur doit munir le système de l'équipement d'aération et de ventilation forcée nécessaire, conformément aux réglementations techniques pour le propane liquide.

Si aucune basse pression ne se produit lorsqu'un embrasement complet se produit dans toutes les installations de combustion, même si les gaz d'échappement des installations sont extraits mécaniquement, cela signifie que la ventilation de la pièce fonctionne correctement. Cela permet de vérifier que le gaz est correctement brûlé et que les gaz d'échappement sont complètement évacués.

Les ouvertures d'aération et de ventilation ne doivent pas pouvoir être obturées.

 Avant d'effectuer les opérations de mise en service, de maintenance, de conversion et de réparation, il convient de vérifier l'étanchéité de tous les composants conduisant le gaz, du robinet d'arrêt manuel à la buse du brûleur. Une attention particulière doit être accordée aux embouts de mesure sur le robinet de gaz. Des contrôles doivent être effectués lorsque le brûleur est à la fois allumé et éteint.

- ▶ Il est recommandé d'installer un équipement d'arrêt thermique sur place.
- ▶ Si les appareils chauffés au gaz sont accessibles à tous, il est également nécessaire de vérifier si un contrôleur de débit de gaz doit être utilisé.

Alimentation en gaz

Débit volumétrique requis

Type d'appareil	Charge thermique nominale (Hi)	Gaz naturel	Propane liquide
PDR 914/514	15 kW	1,59 m ³ /h (0,936 CFM)	1,18 kg/h (2,6 lb/h)
PDR 918/518	18 kW	1,90 m ³ /h (1,118 CFM)	1,42 kg/h (3,13 lb/h)
PDR 922/522	21,5 kW	2,28 m ³ /h (1,342 CFM)	1,70 kg/h (3,75 lb/h)
PDR 928/528	30 kW	3,17 m ³ /h (1,866 CFM)	2,37 kg/h (5,22 lb/h)
PDR 944/544	36 kW	3,81 m ³ /h (2,242 CFM)	2,84 kg/h (6,26 lb/h)

fr - Remarques sur l'installation

La charge connectée est basée sur les valeurs calorifiques de consommation suivantes :

Gaz naturel : 34,02 MJ/m³ (913 BTU/ft³) (Hi)

Propane liquide : 45,65 MJ/kg (19 625 BTU/lb) (Hi)

Gaz naturel

Gaz naturel	Longueur de la conduite de gaz						
	3 m (9 pi 10 po)	5 m (16 pi 4 7/8 po)	10 m (32 pi 9 11/16 po)	20 m (65 pi 7 3/8 po)	30 m (98 pi 5 1/8 po)	50 m (164 pi 1/2 po)	100 m (328 pi 1 po)
Diamètre interne	Débit maximum						
20 mm (3/4 po)	4,7 m ³ /h (2,766 CFM)	3,7 m ³ /h (2,177 CFM)	2,6 m ³ /h (1,53 CFM)	1,6 m ³ /h (0,942 CFM)	1,1 m ³ /h (0,647 CFM)	0,7 m ³ /h (0,412 CFM)	0,3 m ³ /h (0,177 CFM)
25 mm (1 po)	8,6 m ³ /h (5,061 CFM)	6,9 m ³ /h (4,061 CFM)	4,8 m ³ /h (2,825 CFM)	3,1 m ³ /h (1,824 CFM)	2,4 m ³ /h (1,412 CFM)	1,9 m ³ /h (1,118 CFM)	0,9 m ³ /h (0,53 CFM)
32 mm (1 1/4 po)	16,0 m ³ /h (9,416 CFM)	12,4 m ³ /h (7,297 CFM)	8,7 m ³ /h (5,12 CFM)	6,2 m ³ /h (3,649 CFM)	5,0 m ³ /h (2,942 CFM)	3,8 m ³ /h (2,236 CFM)	2,4 m ³ /h (1,412 CFM)
40 mm (1 1/2 po)	26,5 m ³ /h (15,595 CFM)	20,5 m ³ /h (12,064 CFM)	14,5 m ³ /h (8,533 CFM)	10,3 m ³ /h (6,062 CFM)	8,4 m ³ /h (4,943 CFM)	6,5 m ³ /h (3,825 CFM)	4,0 m ³ /h (2,354 CFM)
50 mm (2 po)	60,0 m ³ /h (35,31 CFM)	47,0 m ³ /h (27,66 CFM)	33,0 m ³ /h (19,421 CFM)	23,0 m ³ /h (13,536 CFM)	19,0 m ³ /h (11,181 CFM)	15,0 m ³ /h (8,828 CFM)	10,0 m ³ /h (5,885 CFM)

Propane liquide

Propane liquide	Longueur de la conduite de gaz			
	16 pi 4 7/8 po (5 m)	32 pi 9 11/16 po (10 m)	65 pi 7 3/8 po (20 m)	164 pi 1/2 po (50 m)
Diamètre interne	Débit maximum			
3/8 po (10 mm)	2.87 lb/h (1.3 kg/h)	2.2 lb/h (1.0 kg/h)	-	-
1/2 po (12 mm)	4.41 lb/h (2.0 kg/h)	3.31 lb/h (1.5 kg/h)	2.2 lb/h (1.0 kg/h)	-
5/8 po (16 mm)	8.82 lb/h (4.0 kg/h)	6.61 lb/h (3.0 kg/h)	4.41 lb/h (2.0 kg/h)	3.31 lb/h (1.5 kg/h)
7/8 po (22 mm)	19.84 lb/h (9.0 kg/h)	14.33 lb/h (6.5 kg/h)	9.92 lb/h (4.5 kg/h)	6.61 lb/h (3.0 kg/h)
1 1/16 po (27 mm)	-	26.46 lb/h (12.0 kg/h)	17.64 lb/h (8.0 kg/h)	11.02 lb/h (5.0 kg/h)

Conduites d'évacuation des gaz d'échappement

Les sécheuses Miele chauffées au gaz sont des installations de combustion au gaz de type B₂₂ sans équipement de protection de l'écoulement et avec un ventilateur situé derrière le chauffage.

- Les mélanges de gaz et d'air d'échappement émis par les sécheuses chauffées au gaz doivent être évacués par une cheminée appropriée et dans l'atmosphère par le toit.
- Les conduites d'évacuation de l'air d'échappement et les conduites d'évacuation des gaz d'échappement doivent être aussi courtes que possible. Les conduites d'évacuation doivent remonter verticalement jusqu'au conduit de fumée.
- Seuls les matériaux qui résistent à la chaleur et à la suie doivent être utilisés.
- Un tuyau de condensat doit être placé au point le plus bas de la conduite d'évacuation d'air. Le condensat doit être évacué via un bac de récupération d'eau ou d'une vidange au sol placée à un endroit approprié. Aucun filtre ni aucune grille ne doit être inséré dans le conduit. Les conduites d'évacuation d'air ou de gaz d'échappement doivent être installées de manière à garantir leur étanchéité.

La conformité avec les dernières directives relatives à l'homologation des systèmes à gaz d'échappement contenant des gaz d'échappement à basse température doit être garantie.

Exceptions

1. Lorsque l'évacuation ne peut pas se faire par une seule conduite, des mesures appropriées doivent être prises pour que le mélange air / gaz d'échappement de l'appareil ne puisse pas pénétrer dans la pièce où se trouve ce dernier via la conduite d'évacuation d'air d'autres appareils (par ex. par l'utilisation de chicanes et de lignes fusionnées qui ne gênent pas la circulation). Lors de la sélection et de l'installation d'un équipement qui ne gênera pas la circulation, il est important de s'assurer qu'une pression élevée ne peut pas se produire du côté qui n'est pas exploité. Les appareils équipés de ventilateurs ne doivent pas être raccordés au même conduit d'évacuation que ceux sans ventilateur.
2. Lors de l'évacuation du mélange air / gaz d'échappement à travers le mur extérieur, aucun danger ni aucune nuisance déraisonnable ne peut survenir.
3. Avec une ligne combinée, les conduites d'évacuation d'air des différents appareils doivent être installées horizontalement dans la ligne combinée, de manière à ne pas gêner la circulation. La section du conduit d'évacuation ne doit pas être inférieure à la section de la ligne combinée. Les lignes combinées doivent être aussi courtes que possible et remonter verticalement jusqu'au conduit d'évacuation. Un tuyau de condensat est nécessaire au point le plus bas.

Tous les cas exceptionnels, et notamment ceux où une ligne combinée est installée, nécessitent une autorisation spéciale du bureau des inspecteurs des règles de construction compétent.

Diamètre et section de la conduite d'évacuation d'air

Sécheuses	Raccord d'évacuation de gaz Diamètre / Section
PDR 914/918/922/928/944/514/518/522/528/544	150 mm/176 cm ² (6 po/27 1/4 po ²)

2. Ce qu'il convient de vérifier pendant la mise en service

Vérifier que les points énumérés à la section 1 (« Ce qu'il convient de vérifier avant la mise en service ») ont été pris en compte. Lors de la mise en service ou de la conversion de l'appareil, les opérations suivantes doivent être effectuées dans l'ordre indiqué :

1. Demander au fournisseur de gaz les éléments suivants : le type de gaz, le groupe de gaz et la pression de raccordement. Comparer ensuite ces informations avec les données indiquées sur la sécheuse (voir l'autocollant à l'arrière).
2. Vérifier la pression de la buse réglée en usine dans les tableaux « Réglages du gaz naturel » et « Réglages du propane liquide » et la corriger si nécessaire.
3. Si le type de gaz, le groupe de gaz ou la pression de raccordement est différent(e), il convient de procéder à sa conversion, comme indiqué dans le chapitre intitulé « Instructions de raccordement et de conversion », puis de remplacer l'autocollant situé à l'arrière de la sécheuse en conséquence.
4. Si le type de gaz doit être modifié, demander le jeu d'adaptation approprié au service technique Miele. Dans ce cas, préciser le nom du produit et le numéro de l'appareil, ainsi que le type de gaz, le groupe de gaz, la pression de raccordement du gaz et le pays où l'appareil a été installé.

fr - Remarques sur l'installation

5. Régler la pression de la buse au niveau de la vanne de régulation du gaz de la sécheuse (voir les tableaux « Réglages du gaz naturel » et « Réglages du propane liquide »).
6. Allumer tous les appareils consommant du gaz présents (y compris la sécheuse installée).
7. Mesurer la pression de raccordement. La pression de raccordement doit être comprise dans les plages spécifiées dans les directives locales.

Instructions de raccordement et de conversion

Les opérations de raccordement et de conversion doivent être effectuées par un revendeur agréé ou par le service technique Miele.

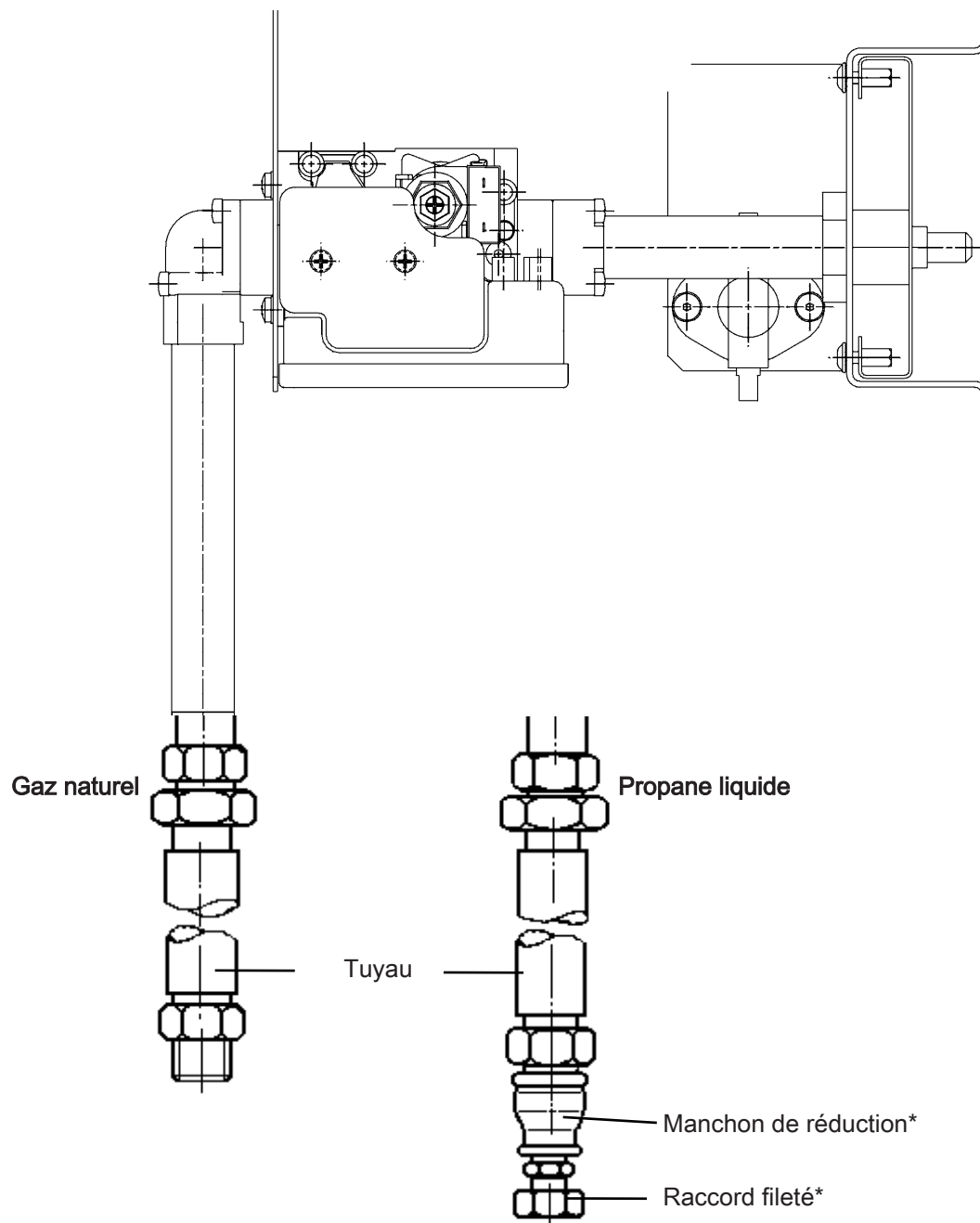
Les réglages des sécheuses sont effectués en usine en fonction des caractéristiques du gaz indiquées à l'arrière de l'appareil.

Tuyau de gaz

L'appareil à gaz doit être raccordé à l'aide d'un tuyau en métal ondulé en inox conforme à la norme DIN 3384. Il est également possible d'utiliser un tuyau conforme à la norme DIN EN 16617 avec des raccordements conformes à la norme DIN 3384.

La longueur maximale du tuyau est de 2 m (6 pi 6 po). Lors du choix du tuyau, il convient de tenir compte du débit requis et des réglementations nationales en vigueur.

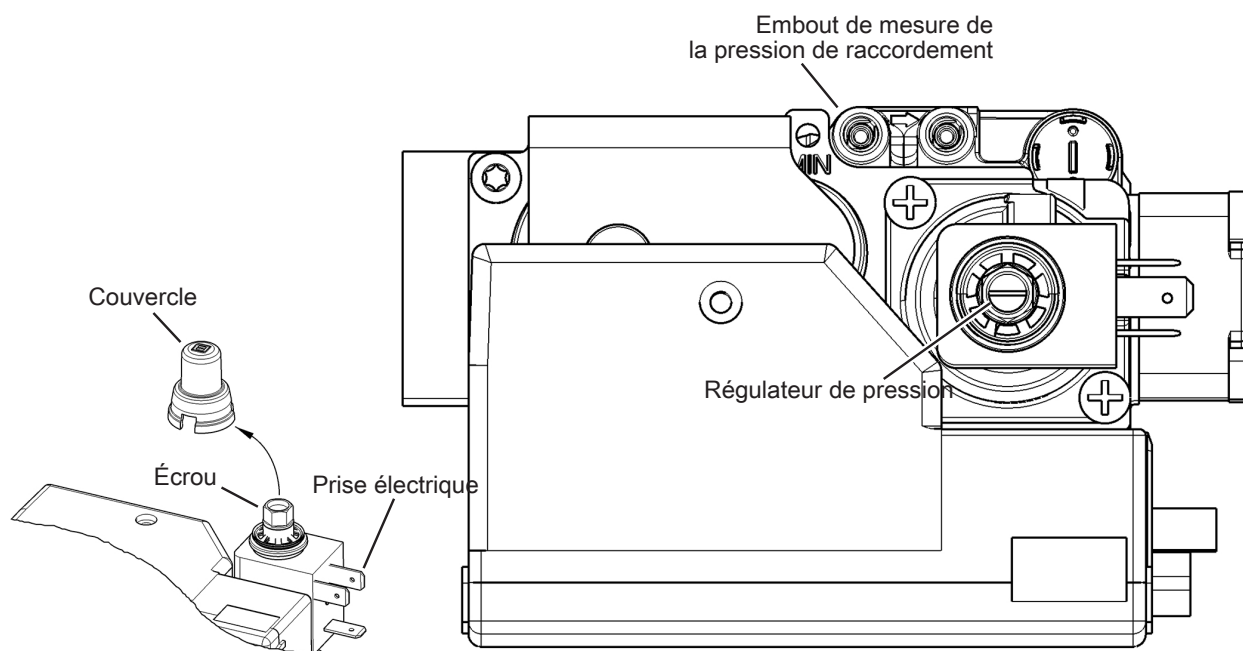
Raccordement principal de la sécheuse
PDR 914/918/922/928/944/514/518/522/528/544



* Fourni avec le jeu d'adaptation du gaz naturel en propane (liquide).

fr - Remarques sur l'installation

Vanne de régulation du gaz



Réglage de la pression de la buse

S'assurer que la pression maximale est réglée en premier. Sinon, la pression minimale serait modifiée en tournant l'écrou.

- Desserrer les boulons de verrouillage de l'embout de mesure de la pression de raccordement et de la pression de la buse.
- Vérifier la pression de raccordement et la pression de la buse.
- Retirer le couvercle du régulateur de pression.
- Installer une clé à douille ou une clé à œil sur l'écrou du régulateur de pression.

Réglage de la pression maximale à pleine puissance de chauffe

Valeurs pour le gaz naturel : voir le tableau « Réglages du gaz naturel »; valeurs pour le gaz liquide : voir le tableau « Réglages du propane liquide ».

- Pour augmenter ou réduire la pression maximale de la buse, tourner l'écrou dans le sens horaire ou anti-horaire.

Réglage de la pression minimale avec une alimentation électrique interrompue

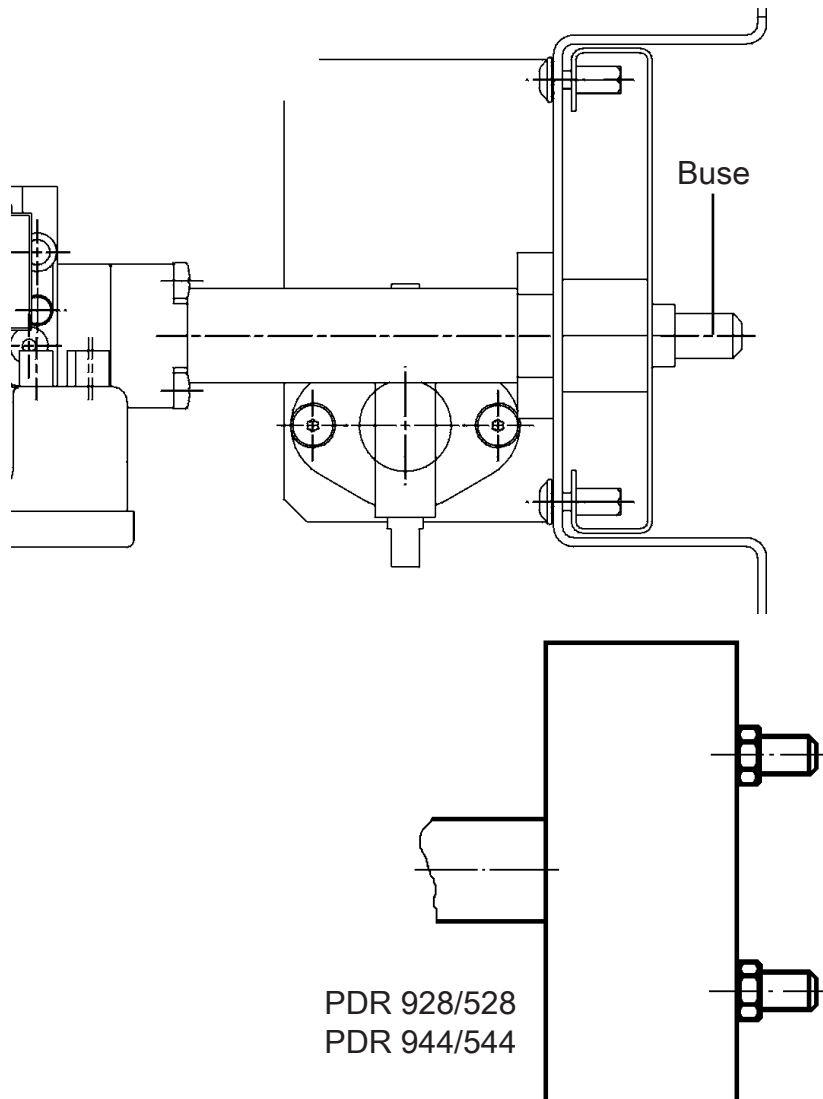
- Retirer la fiche. Un tournevis plat est nécessaire pour régler la pression minimale.
- Pour augmenter ou réduire la pression minimale de la buse, tourner la vis fendue dans l'écrou dans le sens horaire ou anti-horaire.

S'assurer que l'écrou ne tourne pas avec la vis.

- Rebrancher la prise.
- Placer le couvercle sur le régulateur de pression.
- Bloquer les embouts de mesure de la pression de raccordement et de la pression de la buse à l'aide des boulons de verrouillage.

Brûleur

PDR x14/x18/x22 = 1 buse; PDR x28/x44 = 2 buses



Conversion du brûleur

- Remplacer la buse et la bague d'étanchéité (incluses dans le jeu d'adaptation).
 - Gaz naturel = gros trou
 - Propane liquide = petit trou

Les étapes supplémentaires nécessaires à la conversion en gaz liquéfié sont décrites dans le chapitre intitulé « Jeu d'adaptation pour la conversion du gaz naturel en gaz liquéfié ».

fr - Remarques sur l'installation

⚠ Les conduites de gaz et les raccords à vis peuvent fuir après les opérations de raccordement et de conversion.

En effet, du gaz peut s'échapper.

Une fois les opérations de raccordement et de conversion terminées, il convient de vérifier l'étanchéité des conduites de gaz, de tous les raccords à vis (y compris ceux des buses) et des boulons de verrouillage sur les embouts de mesure. Ce contrôle doit être effectué aussi bien lorsque l'appareil est à l'arrêt que lorsqu'il est en marche.

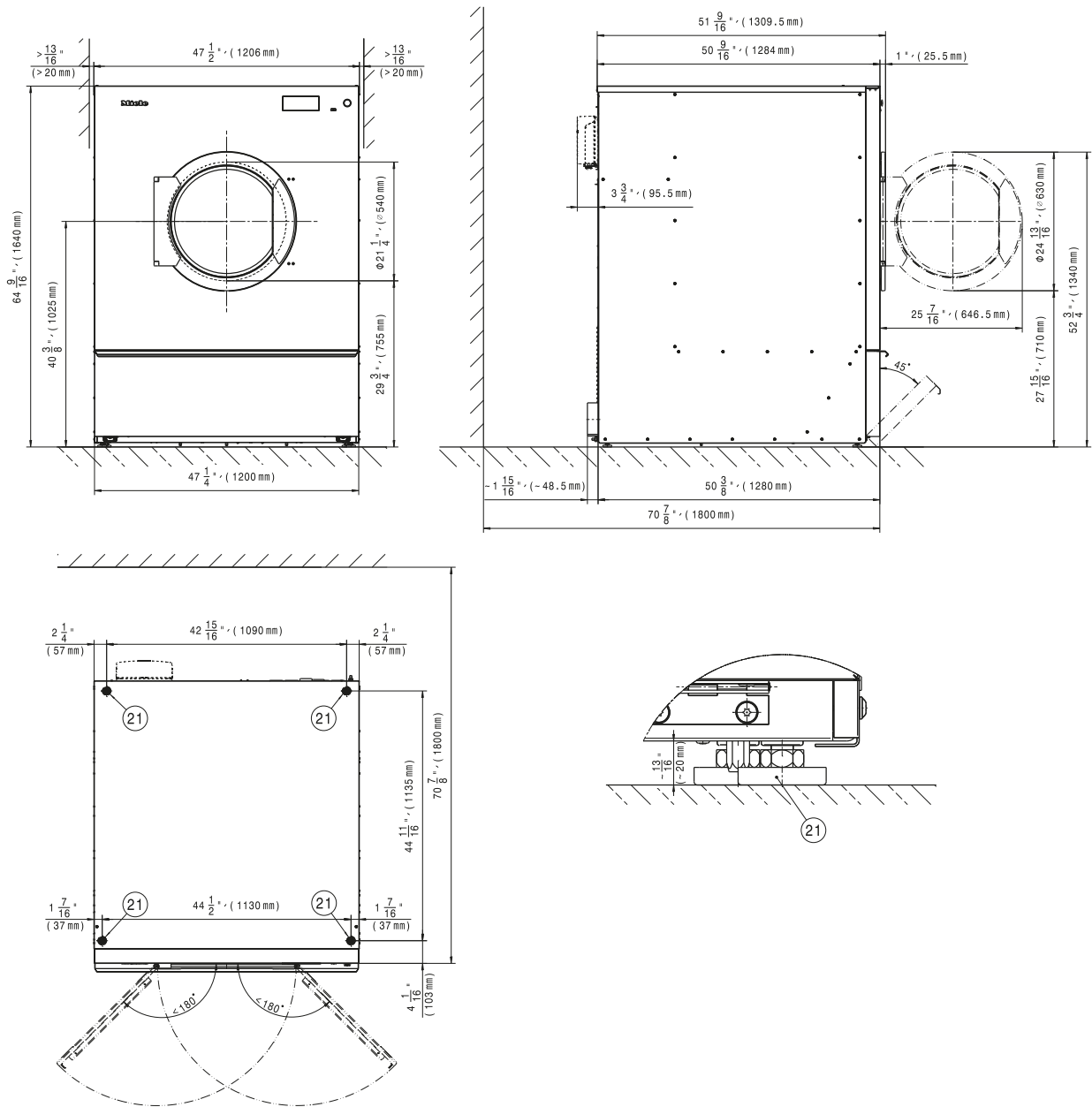
Réglages du gaz naturel

Sécheuses	Puissance de chauffe		Diamètre de la buse	Pression de la buse	
	Puissance de chauffe partielle	Pleine puissance de chauffe		Puissance de chauffe partielle	Pleine puissance de chauffe
PDR 914/514	9,2 kW	16,7 kW	3,5 mm (1/8 po)	2,5 mbar (36 mpsi)	8,5 mbar (123 mpsi)
PDR 918/518	11,1 kW	20,0 kW	4 mm (3/16 po)	2,3 mbar (33 mpsi)	7,0 mbar (102 mpsi)
PDR 922/522	14,4 kW	23,9 kW	4,4 mm (3/16 po)	2,7 mbar (39 mpsi)	7,3 mbar (106 mpsi)
PDR 928/528	18,4 kW	33,3 kW	2 x 3,5 mm (2 x 1/8 po)	2,5 mbar (36 mpsi)	8,5 mbar (123 mpsi)
PDR 944/544	22,2 kW	40,0 kW	2 x 4 mm (2 x 3/16 po)	2,3 mbar (33 mpsi)	7,5 mbar (109 mpsi)

Réglages du propane liquide

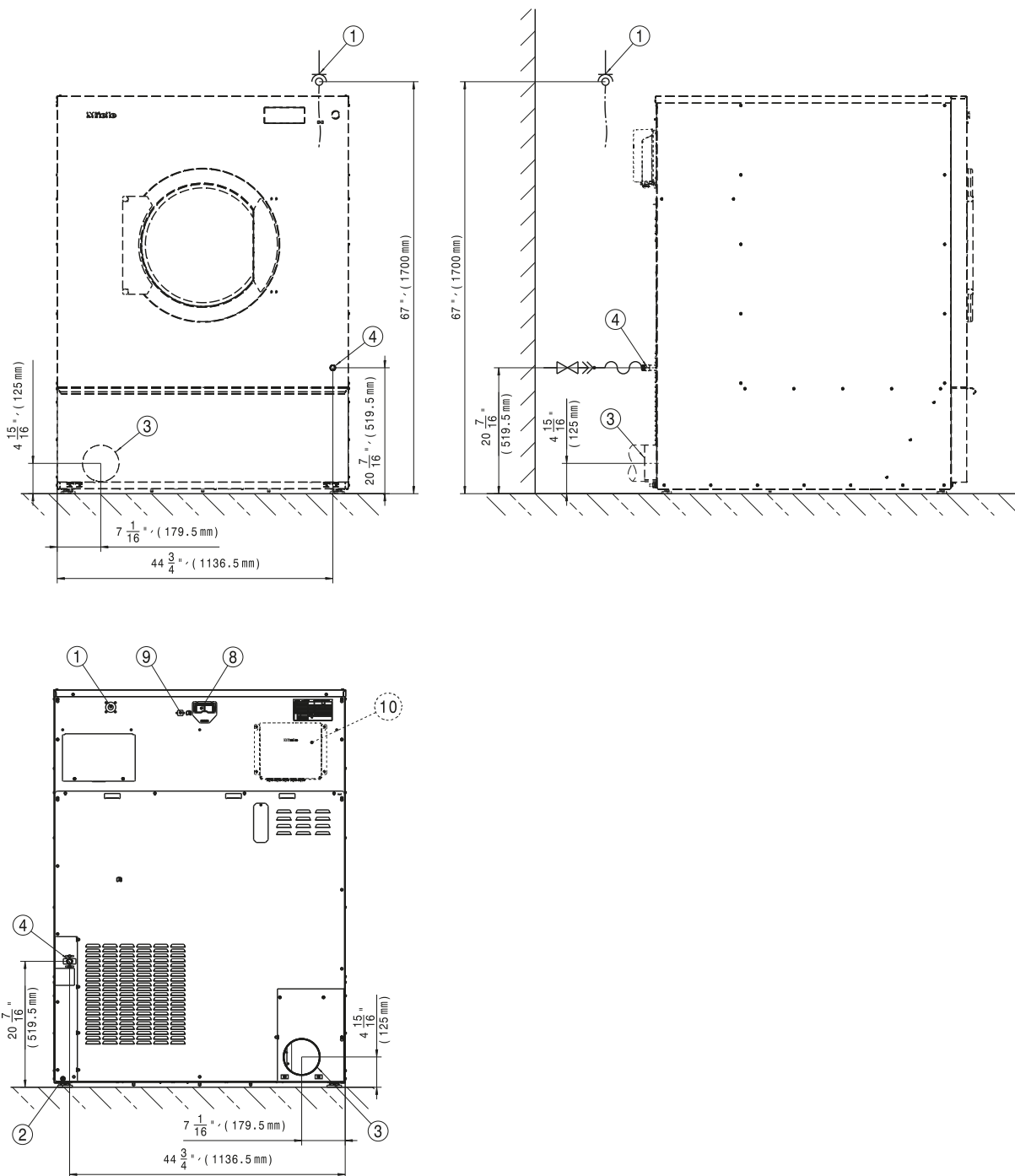
Sécheuses	Puissance de chauffe		Diamètre de la buse	Pression de la buse	
	Puissance de chauffe partielle	Pleine puissance de chauffe		Puissance de chauffe partielle	Pleine puissance de chauffe
PDR 914/514	8,3 kW	15 kW	2,05 mm (1/16 po)	10 mbar (145 mpsi)	27 mbar (0,39 psi)
PDR 918/518	10 kW	18 kW	2,2 mm (1/16 po)	8,4 mbar (122 mpsi)	27 mbar (0,39 psi)
PDR 922/522	13 kW	21,5 kW	2,4 mm (1/8 po)	10 mbar (145 mpsi)	27 mbar (0,39 psi)
PDR 928/528	16,6 kW	30 kW	2 x 2,05 mm (2 x 1/16 po)	10 mbar (145 mpsi)	27 mbar (0,39 psi)
PDR 944/544	20 kW	36 kW	2 x 2,2 mm (2 x 1/16 po)	8,4 mbar (122 mpsi)	27 mbar (0,39 psi)

Dimensions



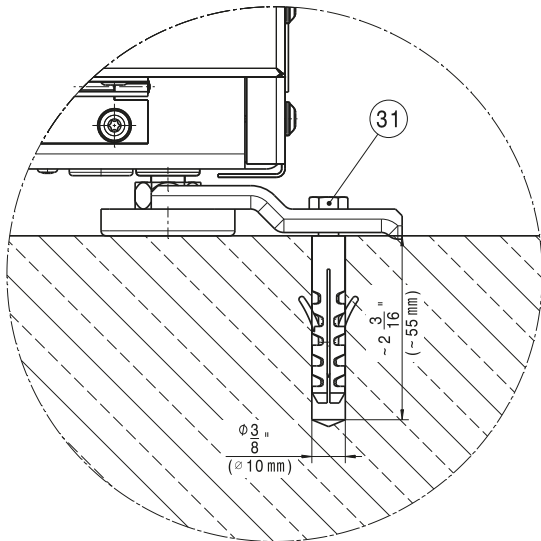
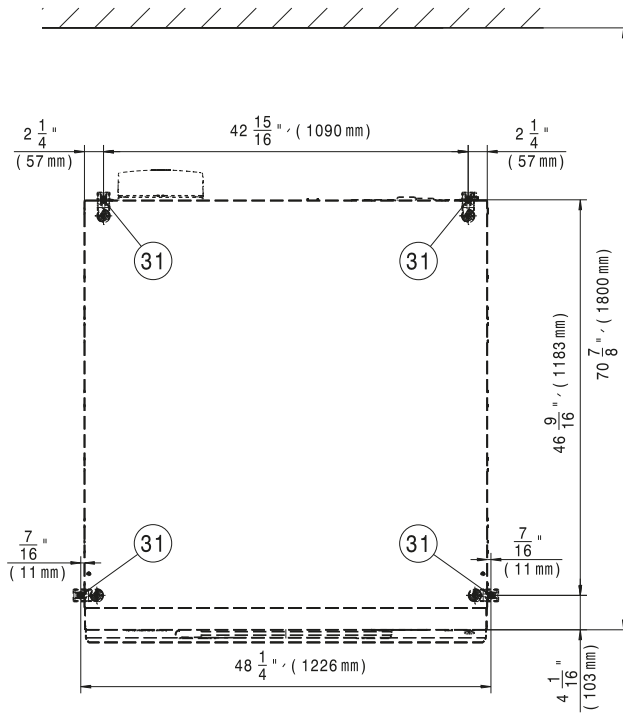
② Pied à visser

Installation



- ① Raccordement électrique
- ② Raccordement pour liaison équipotentielle
- ③ Conduite d'évacuation d'air
- ④ Raccordement au gaz
- ⑧ Raccordement pour module de communication
- ⑨ Raccordement pour boîtier de communication
- ⑩ Boîtier de communication (en option)
Pour configurer une connexion avec des systèmes externes

Ancrage au sol



③1 Trou de forage / point d'ancrage

fr - Données techniques

Variantes de tension possibles

208/240 V 60 Hz 3 Ph

Source d'énergie	208/240 V 60 Hz 3 Ph
Amp. totaux	10 A
Fusible maximum (fusible à retardement)	15 A
Courant minimum	12.5 A

Évacuation d'air

Débit	1010 m ³ /h
Perte de pression maximale autorisée	240 Pa
Température d'évacuation d'air maximale	176 °F (80 °C)
Taux d'évaporation maximal	35 kg/h
Raccord d'évacuation d'air côté appareil	6 po (DN 150)

L'humidité relative à l'intérieur de la conduite d'évacuation d'air pouvant atteindre 100 %, des mesures appropriées doivent être prises pour éviter le reflux de condensats dans l'appareil.

Alimentation en air

Raccordement standard : entrée d'air depuis le lieu d'installation

Section d'entrée d'air libre recommandée dans la pièce : 942 cm² (146 po²)
(équivalente à 3 fois la section d'évacuation d'air d'un appareil).

L'entrée d'air sur le lieu d'installation doit être suffisante pour compenser le volume de sortie d'air.

Raccordement alternatif : raccordement d'entrée d'air directement depuis l'extérieur

Manchon de raccordement côté appareil (diamètre interne)	161 mm (6 5/16 po)
Tube de raccordement fourni sur place (diamètre externe)	160 mm (6 5/16 po)

Le retrait du cache de protection expose les parties sous tension. Pour des raisons de sécurité, un tube doit être installé à partir de l'entrée d'air centrale de la sècheuse (sur une longueur minimale de 900 mm (35 7/16 po)) et sécurisé par 2 vis.

Raccordement au gaz

Raccordement de l'appareil côté appareil	½ po
Puissance de chauffe	31 390/56 980 BTU/h
Pression de raccordement, gaz naturel	6,825–10,48 po de la colonne d'eau (1700–2610 Pa)
Pression de la buse, étape de chauffage minimal	0,92 po de la colonne d'eau (230 Pa)
Pression de la buse, étape de chauffage maximal	3,01 po de la colonne d'eau (750 Pa)

Liaison équipotentielle

Raccordement avec un filetage mâle	10 × 35 mm
Rondelles et écrous	M10

Les accessoires pour effectuer une liaison équipotentielle ne sont pas fournis et doivent être commandés séparément.

Boîtier de communication APDR 002 (accessoire en option)

Raccordement électrique	~ 200–240 V, 50/60 Hz
Hauteur nette	243 mm (9 9/16 po)
Largeur nette	298 mm (11 3/4 po)
Profondeur nette	96 mm (3 3/4 po)
Hauteur brute (emballage inclus)	145 mm (5 11/16 po)
Largeur brute (emballage inclus)	292 mm (11 1/2 po)
Profondeur brute (emballage inclus)	595 mm (23 7/16 po)
Poids net	3,4 kg (7,5 lb)
Poids brut (emballage inclus)	3,75 kg (8,274 lb)

Caractéristiques de l'appareil

Largeur totale de l'appareil	1206 mm (47 1/2 po)
Hauteur totale de l'appareil	1640 mm (64 9/16 po)
Profondeur totale de l'appareil	1384 mm (54 1/2 po)
Largeur de la niche	1550 mm (61 po)
Espacement minimum des murs (jusqu'à l'arête arrière du couvercle)	500 mm (19 11/16 po)
Largeur de l'emballage	1390 mm (54 3/4 po)
Hauteur de l'emballage	1766 mm (69 1/2 po)
Profondeur de l'emballage	1474 mm (58 1/16 po)
Volume brut maximal	3618,3 l (956 gal)
Poids brut maximal	338,4 kg (746 lb)
Poids net maximal	320,3 kg (700 lb)
Charge maximale au sol en fonctionnement	3790 N
Diamètre du raccord d'évacuation d'air	150 mm (5 7/8 po)
Diamètre du tambour	1100 mm (43 5/16 po)
Diamètre de l'ouverture du tambour	520 mm (20 1/2 po)
Profondeur du tambour	876 mm (34 1/2 po)
Volume du tambour	800 l (211 gal)
Diamètre de l'ouverture de porte	520 mm (20 1/2 po)
Angle d'ouverture maximum de la porte	180°
Niveau de pression acoustique d'émission	61 dB(A) re 20 µPa
Niveau de puissance acoustique	71 dB(A)
Taux de dissipation thermique moyen dans la pièce	4 MJ/h
Plage de température ambiante autorisée en fonctionnement	2–40 °C (36–104 °F)

Miele

**Please have the model and serial number
of your machine available when
contacting Technical Service.**

U.S.A.

Miele, Inc.

National Headquarters

9 Independence Way
Princeton, NJ 08540
Phone: 800-991-9380
www.mieleusa.com/professional
prosales@mieleusa.com

Technical Service & Support

Phone: 800-991-9380
proservice@mieleusa.com

Canada

**Importer
Miele Limited**

Professional Division

161 Four Valley Drive
Vaughan, ON L4K 4V8
Phone: 1-888-325-3957
www.mieleprofessional.ca
professional@miele.ca

Miele Professional Technical Service

Phone: 1-888-325-3957
serviceprofessional@miele.ca



Manufacturer: Miele & Cie. KG
Carl-Miele-Straße 29, 33332 Gütersloh, Germany