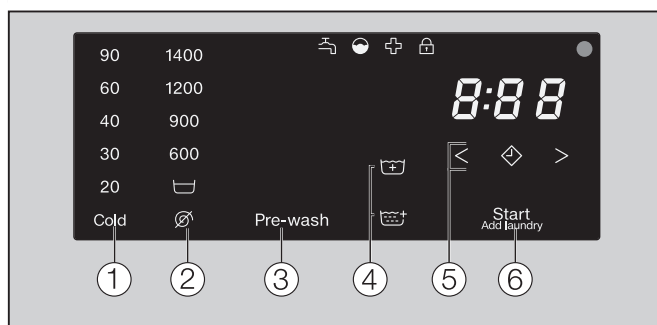


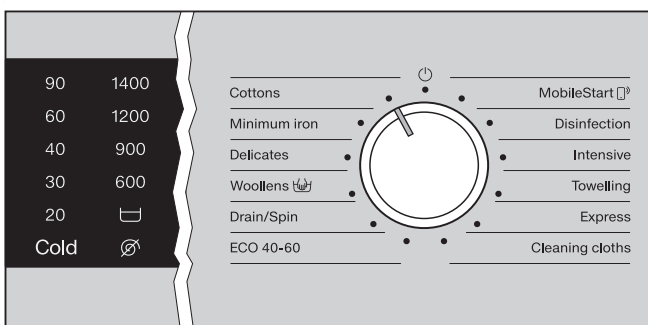
**Control field and sensor controls**



The sensor controls 1–6 react to fingertip contact. If a sensor control is illuminated, it can be selected.

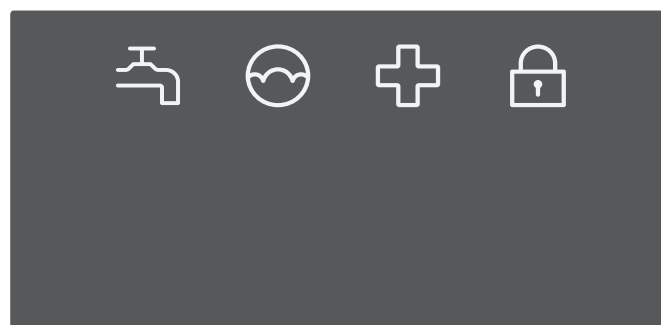
Sensor control = Delay start: select the required time with the < or > control.

**Programme selection**



- Turn the programme selector to a programme. The available temperatures and spin speeds light up.
- If a sensor control is brightly lit, this means it is currently selected.
- If a sensor control is dimly lit, this means it can be selected.

**Indicator lights**



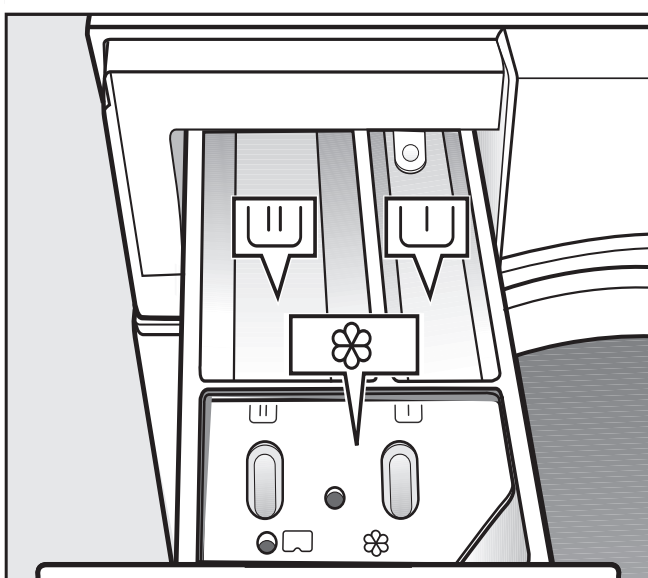
- Water inlet or drainage fault.
- Excess detergent used.
- Reminder about hygiene information.
- Door is locked.

**1 Loading the laundry**



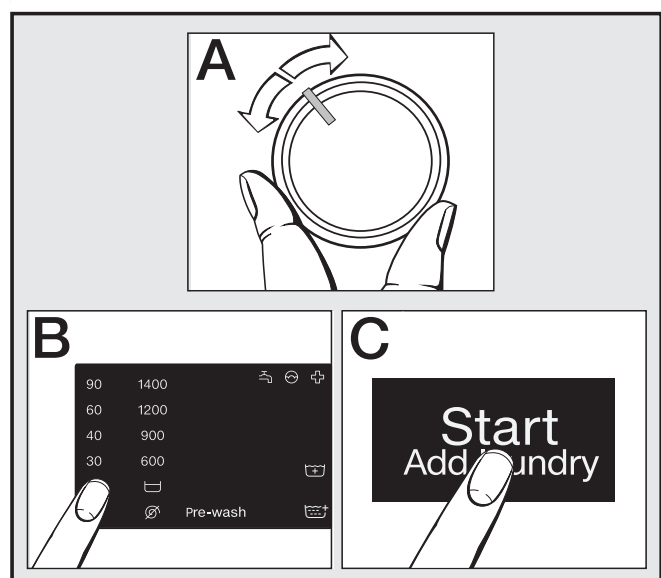
- Open the door.
- Load the laundry, sorted by colour and care symbols.
- Shut the door with a gentle swing. Make sure items do not get caught in the door.

**2 Adding detergent**



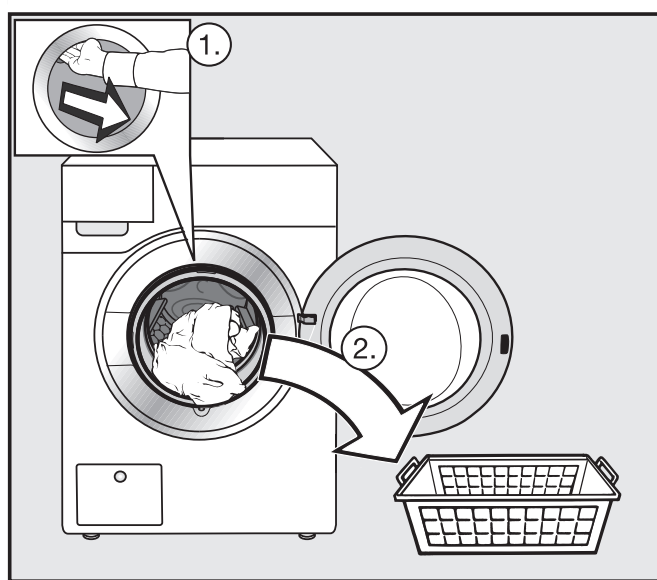
- Detergent for the pre-wash.
- Detergent for the main wash.
- Fabric conditioner or liquid starch.

**3 Selecting and starting a programme**



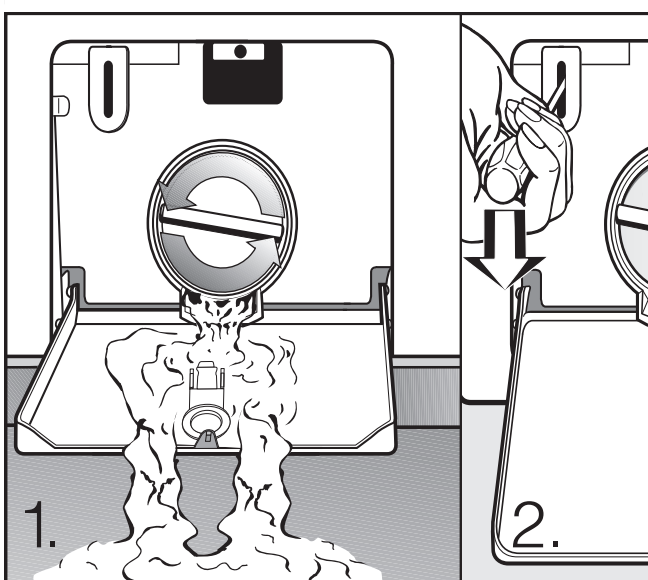
- Select a programme (A).
- Select the temperature, spin speed and Extras (B).
- Touch the *Start/Add laundry* sensor control (C).

**4 Unloading the laundry**



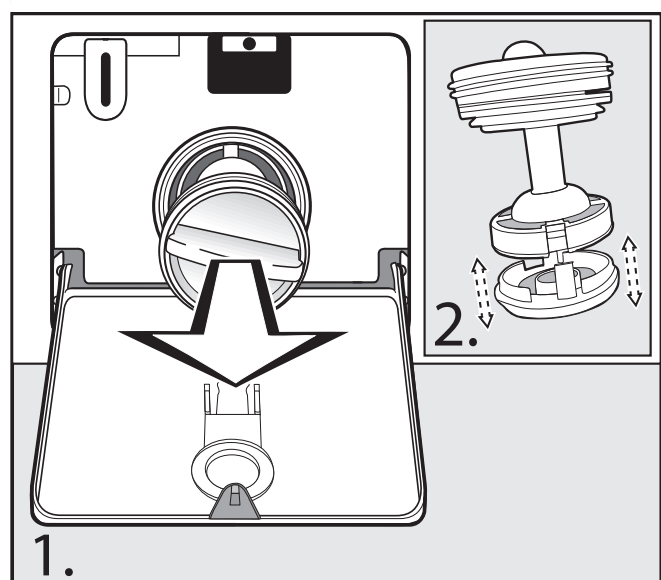
- The time display shows 0:00. The symbol lights up in the control field.
- Unlock the door with the *Start/Add laundry* sensor control.
  - Open the door and remove the laundry.

**Opening the door in the event of a power failure**




- Open the access panel to the drainage system.
- Allow the suds to drain off. Be careful: the suds may be hot.
- Release the door with a screwdriver.

**Cleaning the drain filter**



- Allow the suds to drain off.
- Unscrew the drain filter completely.
- Clean the drain filter thoroughly.
- Replace the drain filter and tighten it securely.



Programme		Load
<b>Cottons cold to 90 °C</b>		<b>max. 8.0 kg</b>
Items	Cotton, linen and mixed fibre textiles.	
Tip	<ul style="list-style-type: none"> <li>– Select the temperature according to the instructions on the care label, the detergent, the type of soiling and the hygiene requirements.</li> <li>– For dark-coloured fabric, use a colour detergent or liquid detergent.</li> </ul>	
<b>Minimum iron cold to 60 °C</b>		<b>max. 4.0 kg</b>
Items	Synthetic and mixed fibre textiles as well as easy care cotton.	
Tip	– Reduce the final spin speed for fabric that creases easily.	
<b>Delicates cold to 40 °C</b>		<b>max. 3.0 kg</b>
Items	Delicate garments made from synthetic fibre, mixed fibre and viscose.	
Tip	– Deselect the final spin speed for fabric that creases easily.	
<b>Woollens cold to 30 °C</b>		<b>max. 3.0 kg</b>
Items	Machine-washable woollens and woollen blends.	
Tip	– Use detergent formulated for delicates/woollens.	
<b>ECO 40–60</b>		<b>max. 8.0 kg</b>
Items	Normally soiled cotton items.	
Tip	<ul style="list-style-type: none"> <li>– A laundry load consisting of mixed cottons that are intended for washing at 40 °C or 60 °C can be washed in the same wash cycle.</li> <li>– This programme is the most efficient in terms of energy and water consumption for washing cottons.</li> </ul>	
<b>MobileStart </b>		
Tip	– The Miele app is used to select programmes and operate the appliance.	
<b>Disinfection 60 °C</b>		<b>max. 5.5 kg</b>
Items	Cotton or mixed fibre textiles, sorted by colour, provided they are suitable for disinfection.	
Tip	<ul style="list-style-type: none"> <li>– Chemo-thermal disinfection with a 30-minute holding time at 60 °C.</li> <li>– Use special-purpose detergents.</li> </ul>	
<b>Intensive 40 °C to 90 °C</b>		<b>max. 8.0 kg</b>
Items	Heavily soiled workwear made from cotton, linen and mixed fibres.	
Tip	– You can achieve particularly good wash and rinse results with a high water level.	
<b>Towelling 40 °C to 60 °C</b>		<b>max. 6.0 kg</b>
Items	Towels and bathrobes made from terrycloth.	
Tip	– For dark-coloured fabric, use a colour detergent or liquid detergent.	
<b>Express cold to 40 °C</b>		<b>max. 3.5 kg</b>
Items	Cotton garments that have hardly been worn or are only very lightly soiled.	
<b>Cloths 40 °C to 90 °C</b>		<b>max. 4.0 kg</b>
Items	Cotton, mixed fibre or microfibre mops and cloths.	
Tip	<ul style="list-style-type: none"> <li>– The programme is designed to wash mops and cleaning cloths.</li> <li>– Use special-purpose detergents.</li> <li>– A pre-spin and a pre-wash cycle are carried out before the main wash.</li> </ul>	

