

Operating and Installation Instructions Refrigerators



To prevent accidents and machine damage, read these instructions **before** installation or use.

Contents

IMPORTANT SAFETY INSTRUCTIONS	4
Caring for the environment	12
Saving energy	13
Guide to the appliance	15
Control panel	15
Accessories	17
Accessories supplied	17
Optional accessories	17
Switching on and off	19
Cleaning the refrigerator	19
Switching off for longer periods of time	20
The correct temperature	21
... in the refrigerator section	21
Temperature display	21
Setting the temperature	21
Using Automatic SuperCool	22
Automatic SuperCool function	22
Door alarm	23
Door alarm	23
Turning the door alarm off early	23
Selecting additional settings	24
Settings mode	24
Activating and deactivating the safety lock	24
Storing food in the refrigerator section	26
Different storage zones	26
Food which is not suitable for storage in the refrigerator section	27
Notes on buying food	28
Storing food correctly	28
Adjusting the interior fittings	29
Adjusting the door shelf/bottle shelf	29
Moving the shelves	29
Adjusting the bottle holder	29
Moving the carbon filter	30
Defrosting	31

Cleaning and care	32
Cleaning agents.....	32
Preparing the appliance for cleaning.....	33
Cleaning the interior and accessories.....	34
Cleaning the door seal	35
Cleaning the ventilation gaps.....	35
Starting up the appliance after cleaning	35
Replacing the carbon filters	36
Frequently Asked Questions	37
Causes of noises	43
Customer Service	44
Contact in the event of a fault	44
Appliance warranty and product registration	44
Installation	45
Installation	45
Side-by-side.....	45
Installation location	45
Ventilation.....	46
Door panel.....	47
Before installing the appliance	48
Installation dimensions.....	49
Installation dimensions.....	49
Changing the door hinges.....	51
Adjusting the door hinge	54
Adjusting the door hinges	54
Limiting the opening angle of the appliance door.....	54
Building in the appliance.....	55
To install the appliance, you will need the following tools:.....	55
Parts required for installation:	55
Preparing the appliance	55
Positioning the appliance	57
Aligning the refrigeration appliance.....	58
Installing a continuous toe-kick facing.....	59
Securing the appliance in the niche	60
Installing the door panel.....	60
Electrical connection	64

IMPORTANT SAFETY INSTRUCTIONS

This refrigeration appliance complies with current safety requirements. Inappropriate use can, however, lead to personal injury and material damage.

Please read the operating and installation instructions carefully before using the refrigeration appliance for the first time. They contain important information on safety, installation, use, and maintenance. This is to protect yourself from injury, and from damaging your refrigeration appliance.

Miele expressly and strongly advises that you read and follow the instructions in the chapter on installing the refrigeration appliance, as well as the IMPORTANT SAFETY INSTRUCTIONS.

Miele cannot be held liable for injury or damage caused by non-compliance with these instructions.

Keep these instructions in a safe place and pass them on to any future owner.

Appropriate use

► This appliance is intended for use in the home and similar environments.

This appliance is not intended for use outdoors, in damp environments or in places exposed to rain.

► This refrigeration appliance is intended for domestic use only for the cool storage of food and drink.

Any other usage is at the owner's risk and could be dangerous.

IMPORTANT SAFETY INSTRUCTIONS

▶ This refrigeration appliance is not suitable for storing and keeping cool medicines, blood plasma, laboratory preparations, or other similar substances or products that are subject to the Medical Device Directive. Incorrect use of the refrigeration appliance for such purposes may cause deterioration of the items stored. The refrigeration appliance is also not suitable for use in areas where there is a risk of explosion.

Miele cannot be held liable for damage resulting from incorrect or improper use or operation.

▶ This refrigeration appliance may only be used by people (including children) with reduced physical, sensory, or mental capabilities or lack of experience and knowledge if they are supervised while using it.

The refrigeration appliance may only be used by these people without supervision if they have been shown how to use it in a safe way and recognize and understand the consequences of incorrect operation.

Safety with children

▶ To reduce the risk of injury, do not allow children to play in, on or near the appliance.

▶ Ensure that any packing material is disposed of safely and kept out of the reach of children. **DANGER** of suffocation!

IMPORTANT SAFETY INSTRUCTIONS

Technical safety

▶ The coolant circuit has been checked for leaks. The refrigeration appliance complies with statutory and regulatory requirements..



▶ This refrigeration appliance contains the coolant Isobutane (R600a), a natural gas which is environmentally friendly. Although it is combustible, it does not damage the ozone layer and does not contribute to the greenhouse effect.

The use of this coolant has, however, led to a slight increase in the noise level of the appliance. In addition to the noise of the compressor, you might be able to hear the coolant flowing around the cooling circuit. Unfortunately, this cannot be avoided, but it does not affect the performance of the refrigeration appliance.

When transporting and installing the refrigeration appliance, ensure that no parts of the cooling circuit are damaged. Splashes of coolant can damage the eyes.

In the event of damage:

- Avoid open flames or anything which creates a spark.
 - Disconnect the refrigeration appliance from the power supply.
 - Ventilate the room where the refrigeration appliance is located for several minutes.
 - Contact Miele Customer Service.
- ▶ The more coolant there is in a refrigeration appliance, the larger the room it should be installed in. In the event of a leakage, if the appliance is in a small room, there is the danger of a combustible gas/air mixture building up. For every 11 g of coolant, at least 1 m³ of room space is required. The amount of coolant in the refrigeration appliance is stated on the data plate inside the appliance.

IMPORTANT SAFETY INSTRUCTIONS

- ▶ To avoid the risk of damage to the appliance, make sure that the connection data (fuse rating, frequency and voltage) on the data plate corresponds to the household supply. Check that this is the case before connecting the appliance. Consult a qualified electrician if in any doubt.
- ▶ The electrical safety of the appliance can only be guaranteed when correctly grounded. It is essential that this standard safety requirement is met. If in any doubt please have the electrical installation tested by a qualified electrician.
- ▶ Reliable and safe operation of this appliance can only be assured if it has been connected to the electricity supply.
- ▶ If the power cord is damaged, it must be replaced by a Miele authorized technician in order to protect the user from harm.
- ▶ Do not connect the appliance to the electrical supply with a power bar or extension cord. These are a fire hazard and do not guarantee the required safety of the appliance.
- ▶ If moisture gets into electrical components or into the power cord, it could cause a short circuit. Therefore, do not operate the machine in areas where there may be moisture or splashing water (e.g., garages, laundry rooms).
- ▶ This appliance must not be installed and operated in mobile installations (e.g. on a ship).
- ▶ Do not use a damaged appliance. It could be dangerous. Check the appliance for visible signs of damage.
- ▶ For safety reasons, this appliance may only be used after it has been built in.
- ▶ During installation, side-by-side heater installation, maintenance and repair work, the appliance must be disconnected from the electrical power supply. It is only completely isolated from the electricity supply when:
 - the circuit breaker has been tripped, or

IMPORTANT SAFETY INSTRUCTIONS

- the screw-type fuses on the electrical service panel have been removed or
 - the power cord has been unplugged. Pull on the plug and not on the cord when removing it from the outlet.
- ▶ Installation, repair, and maintenance work should only be performed by a Miele-authorized service technician. Work by unqualified persons could be dangerous and may void the warranty.
- ▶ Any manufacturer's warranty will be void if the appliance is not repaired by a Miele approved service technician.
- ▶ Defective components should only be replaced by Miele original parts. Only with these parts can the manufacturer guarantee the safety of the appliance.

Correct use

- ▶ The appliance is designed for use within a certain climate range (ambient temperatures), and should not be used outside this range. The climate range for your appliance is stated on the data plate inside the appliance. Installing it in a room with too low an ambient temperature, e.g. a garage, will lead to the appliance switching off for longer periods so that it cannot maintain the required temperature.
- ▶ **WARNING! DANGER of overheating!** Do not cover or block the air vents. This can impair the efficiency of the appliance, increase the power consumption and cause damage to the appliance.
- ▶ If storing food which contains a lot of fat or oil in the appliance, make sure that it does not come into contact with plastic components as this could cause stress cracks or break the plastic.
- ▶ Risk of fire and explosion. Do not store any explosive materials or products containing flammable propellants (e.g., spray cans) in the appliance. Electrical components can cause flammable mixes of gases to ignite.

IMPORTANT SAFETY INSTRUCTIONS

- ▶ Risk of explosion. Do not operate any electrical equipment (e.g., an electric ice-cream maker) inside the refrigeration appliance. Risk of sparking and explosion.
- ▶ When eating stored food, there is a danger of food poisoning. Storage times will depend on several factors, including the freshness and quality of the food, as well as the temperature at which it is stored. Observe the manufacturer's "use-by" dates and storage instructions.
- ▶ Use only genuine original Miele parts. If parts or accessories from other manufacturers are used, the warranty may become invalid.

Cleaning and maintenance

- ▶ Do not use any oil or grease on the door seals. They can cause the seals to deteriorate over time.
- ▶ Never use a steam cleaner to clean the appliance. The steam can reach the electrical components and cause a short circuit.
- ▶ Sharp edged or pointed objects will damage the evaporator, causing irreversible damage to the appliance. Do not use sharp edged or pointed objects to
 - remove frost or ice,
 - separate frozen foods or remove ice trays.
- ▶ Never place electric heaters or candles in the appliance to defrost it. These can damage the plastic parts.
- ▶ Do not use defrosting sprays or de-icers, as they could contain substances which could damage the plastic parts or which might cause the build-up of gases and pose a danger to health.

IMPORTANT SAFETY INSTRUCTIONS

Transport

- ▶ To avoid damage to the appliance, always transport it upright and in its packaging.
- ▶ Risk of injury and damage. The refrigeration appliance is very heavy and must be transported by 2 people.

Disposal of your old appliance

- ▶ Children could become trapped in the machine and could suffocate.
 - Remove the machine doors.
 - Remove the drawers.
 - Leave the adjustable shelves in the machine so children cannot climb inside.
- ▶ DANGER of electric shock!
 - Cut the plug off the power cord.
 - Cut the power cord off the old appliance.
- ▶ Dispose of them separately from the appliance.
- ▶ Ensure that the appliance is not stored in the vicinity of gasoline or inflammable gases and liquids during and after disposal.
- ▶ Make sure that the coolant pipework is not damaged during disposal to avoid uncontrolled leakage of oil and coolant (see data plate for coolant type).
- ▶ If your old refrigeration appliance has a door lock, destroy it. This will prevent the risk of children playing accidentally locking themselves in and endangering their lives.
- ▶ Splashes of coolant can cause damage to the eyes. Be careful not to damage any part of the pipework while awaiting disposal, e.g. by
 - puncturing the coolant channels in the evaporator,
 - kinking any pipework,

IMPORTANT SAFETY INSTRUCTIONS

- scratching the surface coating.

Symbol on the compressor (depending on model)

This information is only relevant for recycling. There is no risk during normal operation.



- ▶ The oil in the compressor can be fatal if swallowed or if it penetrates the airways.

Caring for the environment

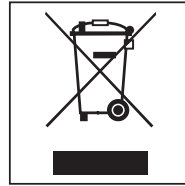
Disposal of packaging material

The packaging is designed to protect the appliance from damage during transportation. The packaging materials used are selected from materials which are environmentally friendly for disposal and should be recycled.

Ensure that any plastic wrappings, bags, etc. are disposed of safely and kept out of the reach of children. Return the packaging to your dealer.

Disposing of your old appliance

Electronic and electrical appliances contain many valuable materials. They also contain certain materials, compounds, and components which were essential for their correct functioning and safety. These could be hazardous to your health and to the environment if disposed of with general waste or if handled incorrectly. Please do not, therefore, dispose of your old appliance with general waste.



Instead, please make use of officially designated collection and disposal points to dispose of and recycle electrical and electronic appliances. By law, you are solely responsible for deleting any personal data from the appliance prior to disposal.

Take care not to damage your refrigeration appliance's pipework before or during transportation to an authorized collection depot.

This is to ensure that coolant in the cooling circuit and oil in the compressor is contained, and will not leak into the environment.

Please ensure that your old appliance poses no risk to children while being stored for disposal. For additional information, see "IMPORTANT SAFETY INSTRUCTIONS" in these operating and installation instructions.

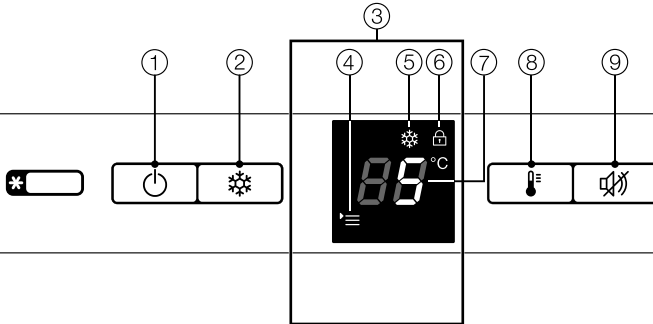
Saving energy

	Normal energy consumption	Increased energy consumption
Installation / Maintenance	In a well-ventilated room.	In an enclosed, poorly ventilated room.
	Protected from direct sunlight.	In direct sunlight.
	Away from heat sources (radiator, range/oven).	Near a heat source (radiator, oven).
	Where the ideal room temperature is approx. 68°F (20°C).	Where the ambient room temperature is above 77°F (25°C).
	Air vents uncovered and dusted regularly.	Where the ventilation openings are blocked and full of dust.
Temperature setting	39°F to 41°F (4°C to 5°C) in the refrigerator section	The lower the temperature in the appliance, the higher the energy consumption.

Saving energy

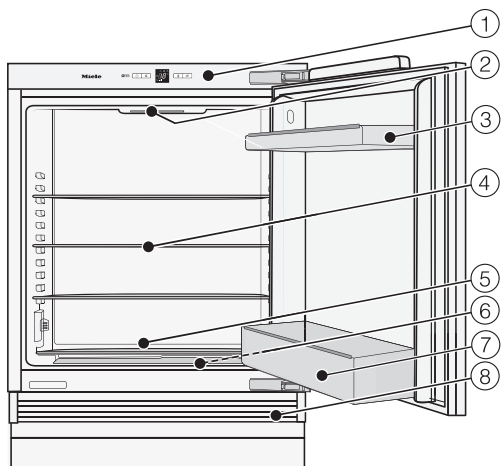
	Normal energy consumption	Increased energy consumption
Use	The drawers, and shelves are arranged as they were when the appliance was delivered.	
	Only open the door when necessary and for as short a time as possible. Store food in an organized way.	Frequent opening of the door for long periods will cause a loss of coldness. The appliance will try to cool down and the compressor will run for longer periods.
	When shopping, use a cooler bag and place the food in the appliance as soon as possible. Replace any food removed as quickly as possible, before it warms up too much. Allow hot food and drinks to cool down before placing them in the appliance.	Hot food or food at room temperature raises the temperature inside the refrigeration appliance. The appliance will try to cool down and the compressor will run for longer periods.
	Store food well packaged or covered.	The evaporation or condensation of liquids in the refrigerator section will cause a loss of coldness.
	Place frozen food in the refrigerator section to defrost.	
	Do not overfill the appliance in order to allow the air to circulate.	Poor air circulation will cause a loss of coldness.

Control panel



- ① On/off button
- ② Automatic SuperCool button
- ③ Display
- ④ Menu symbol
(Settings mode for:
switching the safety lock on/off)
- ⑤ Automatic SuperCool symbol
- ⑥ Lock symbol
- ⑦ Temperature display
- ⑧ Temperature selector button
- ⑨ Alarm off button

Guide to the appliance

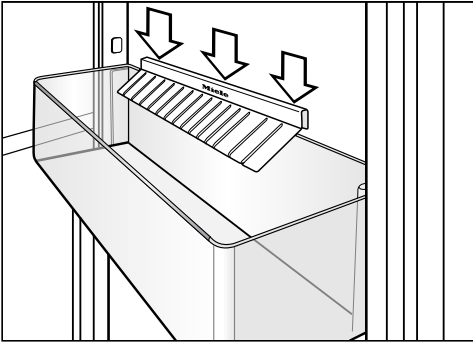


- ① Control panel with display
- ② Interior lighting (depending on model)
- ③ Egg tray/door shelf
- ④ Adjustable rack
- ⑤ Condensate channel and drain hole
- ⑥ Fruit and vegetable drawer
- ⑦ Bottle shelf with bottle holder
- ⑧ Ventilation grille

Accessories

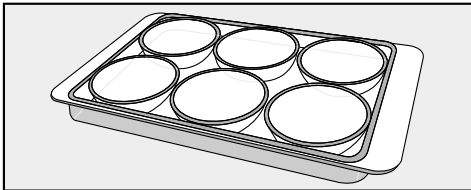
Accessories supplied

Bottle holder



The non-slip fins of the bottle holder jut out into the bottle shelf and make bottles more secure when you open and close the appliance door.

Egg tray

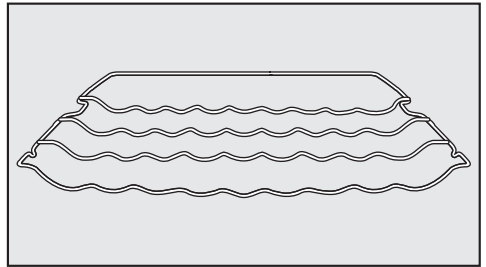


Optional accessories

A range of useful Miele accessories and care products are available for your appliance.

Accessories are available to order via the Miele Webstore, from Miele directly (see back cover for contact details) or from your Miele dealer.

Bottle rack



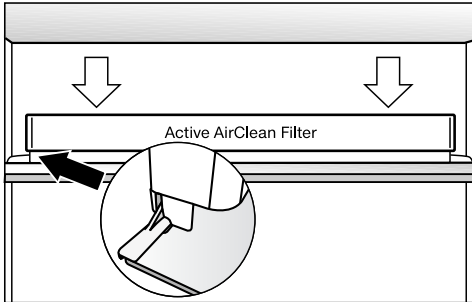
Bottles can be stored horizontally using the bottle rack to save space.

The bottle rack can be placed at different positions in the refrigerator section.

Guide to the appliance

KKF-FF Active AirClean carbon filter with holder

Carbon filters neutralize unpleasant odors in the refrigerator section for improved air quality.



The carbon filter holder clips onto the protective strip at the back of the shelf and can be moved as necessary.

KKF-RF Active AirClean replacement filters

Replacement filters to fit the Active AirClean holder are available. We recommend replacing the carbon filters every 6 months.

Before first use

Packaging material

- Remove all packaging material from the inside of the appliance.

Removing the protective film

The stainless steel strips on the door shelves and adjustable shelves have a layer of protective film to prevent damage during transportation.

- Carefully remove the protective film from the stainless steel trim.

Cleaning the refrigerator

Please refer to the relevant instructions in “Cleaning and care”.

- Clean the inside of the appliance and the accessories.


Switching on the appliance

To enable the temperature to get sufficiently cold inside the appliance, allow the appliance to run for some time before placing food in it for the first time.

- Press the  button.

The appliance will start to cool and the temperature required will appear in the temperature display. The interior lighting will come on when the door is opened.

Switching off the appliance

- Press the  button until the display goes out.

If this does not work, the safety lock is activated (see “Selecting additional settings – Activating and deactivating the safety lock”).

The interior lighting goes out and cooling is turned off.

Switching on and off

Switching off for longer periods of time

If, during a long absence, the refrigeration appliance is switched off but not cleaned and the door(s) left shut, there is a danger of bacteria building up inside the appliance.

It is essential to clean the refrigeration appliance.

If the refrigeration appliance is not going to be used for a longer period of time, observe the following:

- Turn the appliance off.
- Unplug the appliance or trip the circuit breaker.
- Clean the refrigeration appliance and leave the door ajar to air the appliance and avoid odors building up inside.

The correct temperature

It is very important to set the correct temperature for storing food in the appliance. Bacteria will cause food which is not stored at the correct temperature to deteriorate rapidly. Temperature influences the growth rate of these bacteria. Reducing the temperature reduces their growth rate.

The temperature in the appliance will rise:

- the more often the appliance door is opened and the longer it is kept open
- the more food that is stored in it
- the warmer the food is that is being put into it
- the higher the ambient temperature surrounding the refrigeration appliance is. The appliance is designed for use within specific ambient temperatures (climate range). Do not use in ambient temperatures for which it is not designed

... in the refrigerator section

We recommend a temperature of **39°F (4°C)** in the refrigerator section.


Temperature display

In normal operation the temperature display shows the **required** temperature.

Setting the temperature

If the appliance door is opened very often, or if large quantities of food are being stored in the appliance, or if the ambient temperature is high, it is advisable to set the temperature between **37°F (3°C) and 41°F (5°C)**.

The temperature can be adjusted from 35°F (2°C) to 49°F (9°C).

- Press the  button until the temperature you want is shown in the temperature display.

The first time you press the button the last temperature set will flash in the display.

The temperature value will change up until the setting for 35°F (2°C) is reached. It will then drop back to 49°F (9°C).

After a short while the newly selected temperature is set automatically and will appear in the temperature display. The temperature in the appliance will now adjust slowly to the newly set temperature.

Using Automatic SuperCool

Automatic SuperCool function

The Automatic SuperCool function can be used to rapidly reduce the temperature in the Fridge Zone to its lowest setting (depending on the room temperature).

Automatic SuperCool is particularly recommended for the rapid chilling of large amounts of fresh food or drink.

Switching on Automatic SuperCool

- Press the ❄️ button.

The Automatic SuperCool ❄️ symbol will light up. The appliance will work at full power to lower the temperature in the Fridge Zone.

Switching off Automatic SuperCool

The Automatic SuperCool function will switch itself off automatically after approx. 12 hours. The Automatic SuperCool ❄️ symbol will go out and the appliance will run at normal power again.

To save energy, the Automatic SuperCool function can be switched off once food and drinks are sufficiently chilled.

- Press the ❄️ button so that the ❄️ symbol goes out.

The appliance will then continue running at normal power.

The appliance is fitted with a warning system to avoid increased energy consumption if the door is left open.


Door alarm

An alarm will sound if the machine door has been left open for longer than 60 seconds.

As soon as the door is closed, the alarm sound will stop.

Turning the door alarm off early

If the alarm disturbs you, it can be turned off early.

- Press the  button.

The alarm will stop.


The alarm cannot be turned off early in Settings mode.

Selecting additional settings

Settings mode

Certain settings on the appliance can only be selected in settings mode.

Activating and deactivating the safety lock	⌘
Setting the temperature display °C/°F	⊖


Settings mode is represented in the display by the menu symbol .



The procedure for accessing settings mode and for changing settings is described below.


Activating and deactivating the safety lock

The safety lock can be activated to prevent the appliance being turned off by mistake.

– To activate the lock

- Press the  button for approx. 5 seconds.

The menu symbol  lights up and  flashes in the display. Settings mode has now been activated.

- Press the  button briefly to access the lock function.

 will appear in the display.

- Press the  button briefly to activate the lock.




The lock symbol  lights up.

- Press the on/off  button to exit Settings mode.


The temperature will appear in the display.

– To deactivate the lock


- Press the  button for approx. 5 seconds.

The lock symbol  and the Menu symbol  will light up and  will start flashing in the display.


Settings mode has now been activated.

- Press the  button briefly to access the lock function.

 will appear in the display.

- Press the  button briefly to deactivate the lock.

The lock symbol  will go out.

- Press the on/off  button to exit Settings mode.

The temperature of the Fridge Zone will appear in the display.



Selecting additional settings


Changing the temperature unit (Celsius or Fahrenheit)

The temperature can be displayed in either Fahrenheit (°F) or Celsius (°C). The factory default is Fahrenheit °F.


– To change the temperature display to Celsius

- Press the  button for approx. 5 seconds.

The menu symbol  lights up and  flashes in the display. Settings mode is now activated.

- Press the  button to access the “Change temperature unit” function.


 flashes in the display.

- Press the  button briefly to select °C.

°C appears in the display

- Press the  button briefly to confirm.



 flashes in the display.


- Press the  button to exit Settings mode.

The temperature will now be displayed in Celsius.


– To change the temperature display to Fahrenheit

- Press the  button for approx. 5 seconds.

The menu symbol  lights up and  flashes in the display. Settings mode is now activated.


- Press the  button to access the “Change temperature unit” function.


 flashes in the display.

- Press the  button briefly to select °F.

°F will appear in the display

- Press the  button briefly to confirm.


 flashes in the display.

- Press the  button to exit Settings mode.

The temperature will now be displayed in Fahrenheit.

Storing food in the refrigerator section


Do not load more than a maximum of 35 lb (16 kg) of food in the appliance door.

 Risk of fire from electrical appliances.

Operating electrical devices in the appliance can cause sparks to form. Do not operate any electrical devices inside the appliance.

 Risk of explosion due to flammable mixes of gases.

Electrical components can cause flammable mixes of gases to ignite. Do not store any explosive materials or products containing flammable propellants (e.g., spray cans) in the appliance. The spray cans in question can be identified by the contents printed on the can or by a flame symbol. Electrical components can cause escaping gases to ignite.

 Risk of damage due to greasy or oily foods.

If storing food which contains a lot of fat or oil in the appliance or the door, make sure that it does not come into contact with plastic components as this could cause stress cracks or break the plastic.

Make sure that no fat or oil leaks onto the plastic parts of the appliance.

Different storage zones

Due to natural air circulation, there are different temperature zones in the refrigerator section.

Cold, heavy air sinks to the lowest section of the refrigeration section. Make use of the different zones when placing food in the appliance.

Tip: To allow air to circulate efficiently, do not pack food too closely together in the refrigerator.

If there is insufficient air circulation, the cooling performance will decrease and energy consumption will increase.

Do not cover the fan in the rear wall of the appliance.

Tip: Do not store food in such a way that it touches the rear wall of the refrigerator section as it may freeze to the rear wall.

Warmest area

The warmest area in the refrigerator section is in the top section of the door. Use this for storing butter so that it remains spreadable and cheese so that it retains its flavor.

Storing food in the refrigerator section

Coldest area

The coldest area in the refrigerator section is directly above the fruit and vegetable drawer and at the back of the appliance.

Use these areas to store all delicate and highly perishable food, such as:

- Fish, meat, poultry
- Cold cuts, ready-made meals
- Dishes or baked goods containing eggs or cream
- Fresh dough, cake mixtures, pizza dough, or pie dough
- Raw milk cheese and other raw milk products
- Pre-packed vegetables
- Other fresh food (with a label stating it should be kept at a temperature of approximately 39°F (4°C))

Food which is not suitable for storage in the refrigerator section

Not all food is suitable for refrigeration at temperatures below 41°F (5°C) because it is sensitive to cold. Depending on the type of food, the appearance, consistency, flavor, and/or vitamin content may be altered if stored at too cold a temperature.

Foods which are sensitive to cold include:

- Pineapples, avocados, bananas, pomegranates, mangoes, melons, papayas, passion fruit, citrus fruits such as lemons, oranges, mandarins, grapefruits
- Fruit (which is not yet ripe)
- Eggplants, cucumbers, potatoes, peppers, tomatoes, zucchini
- Hard cheeses (e.g., Parmesan)

Storing food in the refrigerator section

Notes on buying food

The freshness of food when first placed in the appliance is an important factor in determining how long it stays fresh, and how long it can be kept in the appliance.

Take into account the use-by date and the correct storage temperature.

Time out of the refrigerator, e.g., transporting food in a warm car, should be kept to a minimum.

Tip: Take a cool bag when shopping, and load food in the appliance as soon as possible.

Storing food correctly

Ensure that food stored in the refrigerator section is **in packaging or covered properly**. This will prevent food smells from affecting other food, food from drying out, and also any cross-contamination of bacteria. This is particularly important when storing meat products. Make sure that foods such as raw meat and fish in particular do not come into contact with other food.

By ensuring that the temperature settings are correct and by taking appropriate hygiene measures, you can prolong the storage life of your food considerably.

- **Fruit and vegetables**

Fruit and vegetables can be stored loose in the fruit and vegetable drawer.

- **Protein-rich food**

Please note that foods rich in protein deteriorate faster than others. Shellfish, for example, deteriorates faster than fish, and fish deteriorates faster than meat.

Adjusting the interior fittings

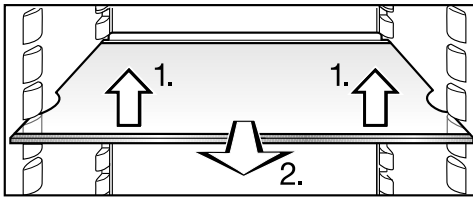
Adjusting the door shelf/bottle shelf

Tip: Only move the door shelves/bottle shelves in the door when they are empty.

- Push the door shelf/bottle shelf upward, then remove it by pulling it forward.
- Replace the shelf at the required height. Ensure that it is securely pushed back into position.

Moving the shelves

The shelves can be adjusted according to the height of the food.

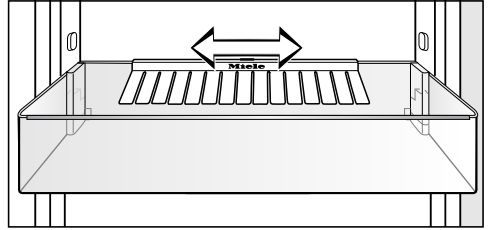


- Lift the shelf at the front, pull it forwards slightly, lift the recess over the shelf supports and move the shelf up or down.

The raised edge on the protective strip at the back must face upwards to prevent food from touching the back of the appliance and freezing to it.

Stoppers prevent the shelves from being dislodged by mistake.

Adjusting the bottle holder



The bottle holder can be moved left or right, thus creating more room for drink cartons.

The bottle holder can be removed completely, e.g. for cleaning:

- Lift up the bottle shelf and pull it forward to remove it.
- Detach the bottle holder from the back edge of the bottle shelf.

Adjusting the interior fittings

Moving the carbon filter

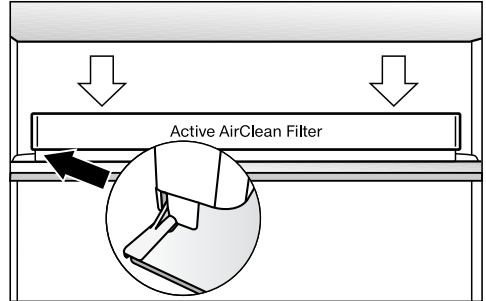
The carbon filter with KKF-FF holder (Active AirClean) is available as an optional accessory (see “Accessories - Optional accessories”).

When you are storing very strong-smelling food (e.g., cheese):


- Place the holder with the carbon filters on the adjustable shelf where this food is being kept.
- Change the carbon filters sooner if necessary.
- Use additional carbon filters (with holders) in the appliance (see “Accessories – Optional accessories”).

The holder for the carbon filters sits on the protective strip at the back of the adjustable shelf.

- To move the carbon filter, pull the holder up and off the protective strip.



- Refit the holder on the protective strip of the shelf you wish to use it on.

 **WARNING! DANGER** of injury and damage!

Do not use any mechanical or other types of aids which are not recommended by the manufacturer to accelerate the defrosting process.

Refrigerator section


The refrigerator section defrosts automatically.

Condensate and frost can build-up on the back wall of the refrigerator section when the compressor is running. You do not need to remove this, as it will defrost and evaporate automatically with the warmth generated by the compressor.


The condensate drains through a channel and drain pipe into an evaporation system at the back of the appliance.

Keep the condensate channel and drain hole clean to enable this. The condensate must always be able to drain properly.

Cleaning and care


 **WARNING! DANGER** of electric shock!

Unplug the appliance or trip the circuit breaker.

 **WARNING! Fire hazard!**

Do not damage the coolant pipework.

Do not let water get into the electronic or the lighting.

 **Risk of damage** due to moisture penetration.

The steam from a steam cleaner can damage plastic and electrical components.

Do not use a steam cleaner to clean the refrigeration appliance.

Cleaning water must not get into the drain hole.

The data plate located inside the interior cabinet of the refrigeration appliance must not be removed. It contains information which is required in the event of a service call.

Cleaning agents

Cleaning and conditioning agents used inside the appliance must be food safe.

To avoid damaging the surfaces of your appliance, **do not** use

- cleaning products containing soda, ammonia, acid, or chloride,
- lime scale removers,
- abrasive cleaning products, such as scouring powder, scouring liquid, or pumice stones,
- cleaners containing solvents,
- stainless steel cleaners,
- dishwasher detergent,
- oven sprays,
- glass cleaning agents,
- hard, abrasive sponges and brushes, such as pot scrubbers,
- eraser sponges,
- sharp metal scrapers.

We recommend using a clean sponge, lukewarm water with a little liquid dish soap to clean the surfaces of the appliance.

The following pages contain important information on cleaning.

Preparing the appliance for cleaning

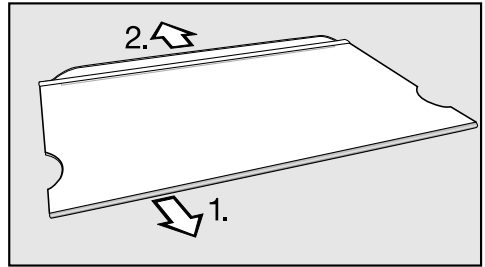
- Turn the appliance off.

The display goes out and the cooling function is turned off.

- Unplug the appliance or switch off the breaker.
- Take any food out of the appliance and store it in a cool place.
- Remove the door shelf/bottle shelf from the door.
- Take out all other removable parts for cleaning.

Dismantling an adjustable shelf

- Place the shelf on a countertop covered with a soft material (e.g., a dish towel).



- Remove the trim:
 1. Pull the stainless steel strip off the shelf beginning at one side.
 2. Then pull the protective strip off.
- After cleaning the shelf, reattach the trim to the adjustable shelf.

Cleaning and care

Cleaning the interior and accessories

The appliance should be cleaned regularly (at least once a month).


Clean up any spills, stains, or food immediately. Do not allow them to dry and stick to the appliance.

- Clean the **interior** with a clean sponge, lukewarm water, and a little liquid dish soap.
- After cleaning, wipe with clean water and dry with a soft cloth.

Remove the stainless steel parts before cleaning the adjustable shelves in a dishwasher.

The following parts **cannot be cleaned in a dishwasher**:

- Stainless-steel trim
- Fruit and vegetable drawer
- Clean these accessories by hand.

 Risk of damage as a result of excessively high dishwasher temperatures.

Parts of the refrigeration appliance may become unusable, e.g., deform, if they are washed in the dishwasher at more than 131°F (55°C).

For dishwasher-safe parts, only use dishwasher programs with a maximum temperature of 131°F (55°C)..

Contact with natural dyes from carrots, tomatoes, and ketchup, etc. may discolor the plastic parts in the dishwasher. This discoloration does not affect the stability of the parts.

The following parts **can be cleaned in the dishwasher**:

- bottle holder, egg tray
- shelves and bottle shelf in the door
- the adjustable shelves (without the strips or printing)
- the holder for the carbon filter (available as an optional accessory)
- Clean the condensate channel and drain opening frequently using a cotton swab or similar item to ensure that condensate can drain away freely.
- Leave the door open to air the machine sufficiently for a short while and to prevent odor buildup.

Cleaning the door seal

If the door seal is damaged or has come out of the groove, the door will not close properly and this will affect cooling. As a result, condensate will build up in the interior cabinet and this can cause a build-up of ice.

Do not damage the door seal, and make sure that it does not come out of its groove.



Risk of damage as a result of incorrect cleaning.

If you treat the door seal with oils or grease, it can become porous.

Do not use any oils or grease on the door seal.

- The door seal should be cleaned regularly with clean water and then wiped thoroughly dry with a cloth.

Cleaning the ventilation gaps

A build-up of dust will increase the energy consumption of the appliance.

- The ventilation gaps should be cleaned on a regular basis with a brush or vacuum cleaner (you could use a Miele Vacuum Cleaner dusting brush, for example).

Starting up the appliance after cleaning

- Replace all shelves and accessories in the appliance.
- Reconnect to the power supply and switch the appliance back on.
- Switch on the automatic SuperCool function for a while so that the refrigerator section can cool down quickly.
- Put the food back in the appliance and close the door.

Cleaning and care

Replacing the carbon filters

The carbon filter with KKF-FF holder (Active AirClean) is available as an optional accessory (see “Guide to the appliance” section “Optional accessories”).

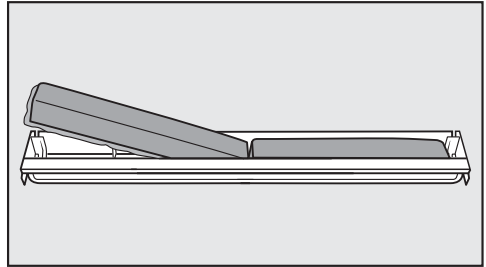
Replace the carbon filters in the holder around every 6 months.

Replacement KKF-RF carbon filters can be obtained from Miele Customer Service, from your dealer, or from Miele’s website.

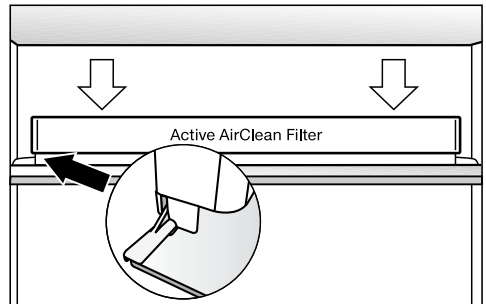
Tip: The carbon filter holder is dishwasher safe.

- Pull the carbon filter holder upward to remove it from the adjustable shelf.

When in position, the carbon filters must not touch the back wall of the refrigeration appliance, as the moisture could cause them to stick to it. Insert the new carbon filters deep enough in the holder to ensure that they do not protrude over the edge of the holder.



- Remove both carbon filters and place the new filters with the surrounding edge pointing downward in the holder.



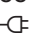
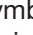
- Place the holder in the middle of the raised edge at the back of any of the adjustable shelves so that it clicks into position.

Frequently Asked Questions

With the help of the following guide minor faults in the performance of the machine, some of which may result from incorrect operation, can be remedied without contacting the Service Department.

This guide may help you to find the reason for the fault, and how to correct it.

To prevent cold from escaping, open the appliance doors as little as possible until the fault has been corrected.

Problem	Possible cause and solution
The appliance is not getting cold, the interior lighting does not come on when the door is opened, and the display is not lit up.	The appliance is not switched on and the power supply symbol  is lit up in the display. ■ Switch the appliance on.
	The plug is not properly plugged into the electrical outlet. ■ Insert the plug correctly into the socket. The power supply symbol  appears in the display when the appliance is switched off.
	Check whether the fuse has tripped. There could be a fault with the appliance, the household electrical wiring or another electrical appliance. ■ Contact a qualified electrician or Miele Technical Service for assistance.

Frequently Asked Questions



Problem	Possible cause and solution
<p>The compressor is turning on more frequently and for longer periods of time; the temperature in the refrigeration appliance is too low.</p>	<p>The ventilation gaps are obstructed or dusty.</p> <ul style="list-style-type: none"> ■ Do not block the ventilation gaps. ■ Clean the ventilation gaps on a regular basis to remove any dust. <p>The appliance door has been opened too frequently, or a large number of bottles have been put inside the unit all at once.</p> <ul style="list-style-type: none"> ■ Only open the appliance door when necessary and for as short a time as possible. <p>After a while, the temperature will return to normal by itself.</p> <p>The ambient temperature is too high. The higher the ambient temperature, the longer the compressor has to run.</p> <ul style="list-style-type: none"> ■ See the information in “Installation – Installation location”. <p>The temperature setting is too low.</p> <ul style="list-style-type: none"> ■ Correct the temperature setting. <p>The Automatic SuperCool function is still turned on.</p> <ul style="list-style-type: none"> ■ To save energy, you can turn off Automatic SuperCool early yourself.
<p>The compressor comes on less and less often and for shorter periods of time. The temperature in the appliance rises.</p>	<p>This is not a fault. The temperature is too high.</p> <ul style="list-style-type: none"> ■ Correct the temperature setting. ■ Check the temperature again after 24 hours.
<p>An alarm is sounding.</p>	<p>The door alarm has been activated (see “Door alarm”).</p> <ul style="list-style-type: none"> ■ Close the appliance door. <p>The alarm will stop.</p>
<p>The door seal is damaged or needs to be replaced.</p>	<p>No tools are required to change the door seal.</p> <ul style="list-style-type: none"> ■ Change the door seal. A replacement is available from Technical Service.

Frequently Asked Questions



Problem	Possible cause and solution
<p>Ice or condensation has built up inside the appliance.</p>	<p>The door seal has come out of its groove.</p> <ul style="list-style-type: none"> ■ Check that the door seal is correctly positioned in the groove. <hr/> <p>The door seal is damaged.</p> <ul style="list-style-type: none"> ■ Check whether the door seal is damaged.
<p>An LED indicator light is flashing at the back of the refrigerator at the bottom near the compressor (depending on model). The electronic for the compressor is equipped with an operation and fault diagnosis LED indicator light.</p>	<p>The indicator light flashes several times every 5 seconds. A fault has occurred.</p> <ul style="list-style-type: none"> ■ Contact Customer Service. <hr/> <p>The indicator light flashes regularly every 15 seconds. This is not a fault. This flashing is normal.</p>

Frequently Asked Questions

Messages in the display

Message	Possible cause and solution
The  symbol lights up in the display, the appliance does not get cold, although the controls and the interior lighting are working.	Demo mode is switched on. This allows the appliance to be presented in the showroom without the cooling system being switched on. Do not activate this setting for domestic use. ■ Contact Miele Technical Service for information on deactivating Demo mode.
“F0 to F9” appears in the display.	There is a fault. ■ Contact Miele Technical Service.
The  symbol lights up in the display. You cannot switch the appliance off.	The safety lock has been activated. ■ Completely deactivate the safety lock (see “Selecting additional settings”, section “Activating and deactivating the safety lock”).

The interior lighting is not working.

Problem	Possible cause and solution
<p>The interior lighting is not working.</p>	<p>The refrigeration appliance has not been turned on.</p> <ul style="list-style-type: none"> ■ Turn the refrigeration appliance on. <p>To avoid overheating, the interior lighting switches itself off automatically after approximately 15 minutes if the appliance door is left open. If this is not the cause, there is a fault.</p> <div style="border: 1px solid gray; padding: 5px; margin: 5px 0;"> <p> Risk of electric shock due to exposed, live electrical components.</p> <p>When removing the lighting cover, there is a risk of coming into contact with live electrical components.</p> <p>Do not remove the lighting cover. The LED lighting may only be repaired or replaced by Customer Service.</p> </div> <div style="border: 1px solid gray; padding: 5px; margin: 5px 0;"> <p> Risk of injury from LED lighting.</p> <p>This lighting corresponds to risk group RG 2. If the cover is defective, there is a risk of eye injury.</p> <p>If the lighting cover is defective, do not look from a close range directly into the lighting with optical instruments (e.g., magnifying glass or similar).</p> </div> <ul style="list-style-type: none"> ■ Contact Customer Service.

Frequently Asked Questions

Other problems

Problem	Possible cause and solution
The floor of the refrigerator section is wet.	The drain hole is blocked. ■ Clean the condensate channel and the drain hole.
The external walls of the appliance feel warm.	This is not a fault. The warmth created by the evaporator is used to prevent condensation.

Causes of noises

Normal noises	Cause
Brrrrr...	A humming noise is made by the motor (compressor). This noise can get louder for brief periods when the motor switches on.
Blub, blub...	A gurgling noise can be heard when the coolant circulates through the pipes.
Click...	Clicking sounds occur whenever the thermostat switches the motor on or off.
Crack...	A cracking sound can be heard when materials expand inside the appliance.

Please bear in mind that a certain amount of noise is unavoidable (from the compressor and the coolant circulating through the system).

Noises	Possible cause and solution
Rattling, clinking	The appliance is uneven. Realign the appliance using a spirit level, by raising or lowering the screw feet underneath the appliance or place something underneath it.
	The appliance is touching another appliance or piece of furniture. Move it away.
	Drawers, baskets or shelves are unstable or sticking. Check all removable items and refit them correctly.
	Bottles or containers are touching each other. Separate them.
	The transport cable clips are hanging loose at the back of the appliance. Remove the cable clips.

Customer Service

Contact in the event of a fault

In the event of a fault which you cannot remedy yourself, please contact your Miele dealer or Miele Customer Service.

You can book a Miele Service Call online at www.miele.com/service.

Contact information for Miele Customer Service can be found at the end of this document.

Please quote the model identifier and serial number of your appliance (SN) when contacting Miele Customer Service. Both pieces of information can be found on the data plate.

You will find the data plate inside your appliance.

Appliance warranty and product registration


You can register your product and/or view the manufacturer's warranty terms and conditions for Miele appliances and vacuum cleaners at www.mieleusa.com.

Installation


Side-by-side

The appliance has two side-wall heaters encased in foam and can be installed side-by-side with other appliances. Each appliance must be installed in its own niche.

Please contact your dealer for specific information about which combinations will work with your appliance.

 **WARNING!** This appliance must be built in, otherwise it could tip over!

Install the appliance in accordance with the installation instructions.

 **Fire hazard and risk of damage!** The appliance must not be installed underneath a cooktop.

Installation location


This appliance should be installed in a dry, well-ventilated room.

When deciding where to install your appliance, please bear in mind that the energy consumption will increase if installed near to a heater, a cooker, or other appliance that gives off heat. Direct sunlight should also be avoided. The higher the room temperature, the longer the compressor has to run and the higher the energy consumption is.

When installing the appliance, please note:

- The electrical socket must be easily accessible in an emergency and not concealed behind the appliance.

- The plug and power cord must not touch the back of the appliance as they could be damaged by vibrations from the appliance.
- Do not plug other appliances into electrical sockets behind this appliance.

 **Risk of damage due to high humidity.**

In environments with high humidity, condensation can build up on external refrigeration appliance panels, which can cause corrosion.

Install the refrigeration appliance in a dry and/or air-conditioned room with sufficient ventilation.

After installation, make sure that the appliance doors close properly, the ventilation gaps are not covered, and the refrigeration appliance has been installed in accordance with these operating and installation instructions.

Installation


Climate class

The appliance is designed for use within a certain climate range (ambient temperatures) and should not be used outside this range. The climate range of the appliance is stated on the data plate inside the appliance.

Climate class	Room temperature
SN	50°F to 90°F / 10°C to 32°C
N	60°F to 90°F / 16°C to 32°C
ST	60°F to 100°F / 16°C to 38°C
T	60°F to 109°F / 16°C to 43°C

Operating in a room which is too cold will cause the compressor to turn off for too long, causing the internal temperature in the appliance to rise, resulting in damage.

Ventilation

 Noncompliance with the specified dimensions for the ventilation grille will cause the compressor to turn on more often and run for longer periods.

This causes increased energy consumption and an increased compressor operating temperature, which can result in damage to the compressor.

It is essential to comply with the ventilation grille dimensions (see “Installation dimensions”).

The appliance is ventilated through a ventilation grille in its toe-kick.

The ventilation grille must never be obstructed. They must also be cleaned on a regular basis to remove dust.

Door panel

The required door panel must be min. 5/8" (16 mm) and max. 3/4" (19 mm) thick.

– Weight of the door panel



If the door panel is too heavy damage can occur.

Installing a door panel which is heavier than the maximum permitted weight could damage the hinges. This can cause subsequent functional problems.

Before installing the door panel, ensure that the weight of the door panel does not exceed the maximum permitted weight.

Before installing the door panel, ensure that the weight of the door does not exceed the maximum permitted:

Appliance	Maximum weight of door panel
K 31222 Ui	22 lb (10 kg)

Calculation of cabinet door size

The **width of the cabinet door** depends on the style of the kitchen and the gap between the unit door panels.

When calculating the **height of the cabinet door**, remember that the top edge of the door must be at the same height as that of the doors of the adjacent units.

The following gaps are required:

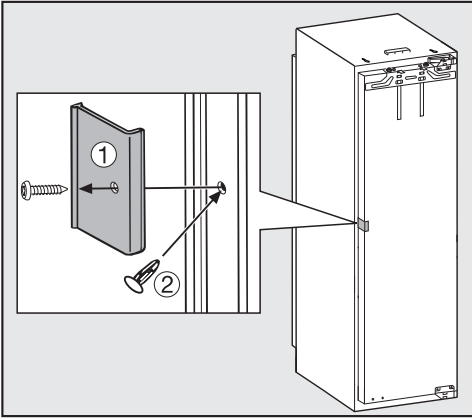
- The horizontal gap between the cabinet door and the cupboard door above it must be at least 1/8" (3 mm).
- The vertical gap between the cabinet doors should be approx. 1/8" (3 mm). The exact value will depend on the radius of the edge of the cabinet door.

The cabinet door must be fitted correctly and not under tension.

Installation

Before installing the appliance

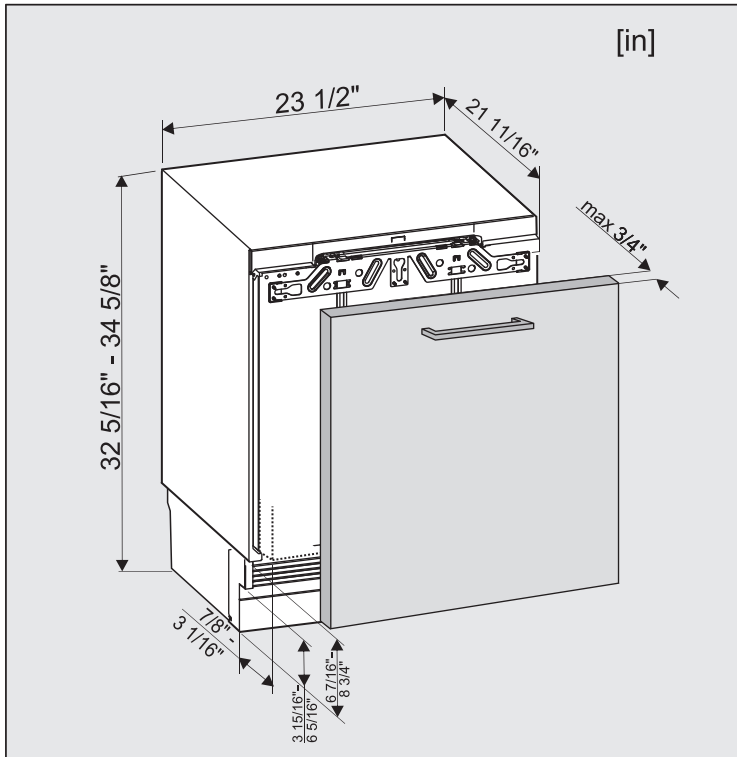
- Before installation, remove the bag of installation accessories and other accessories from the appliance.
- Remove the cord clips from the back of the appliance.



- Remove red transport safety device ① (depending on model) and use the stopper supplied to cover the hole ②.

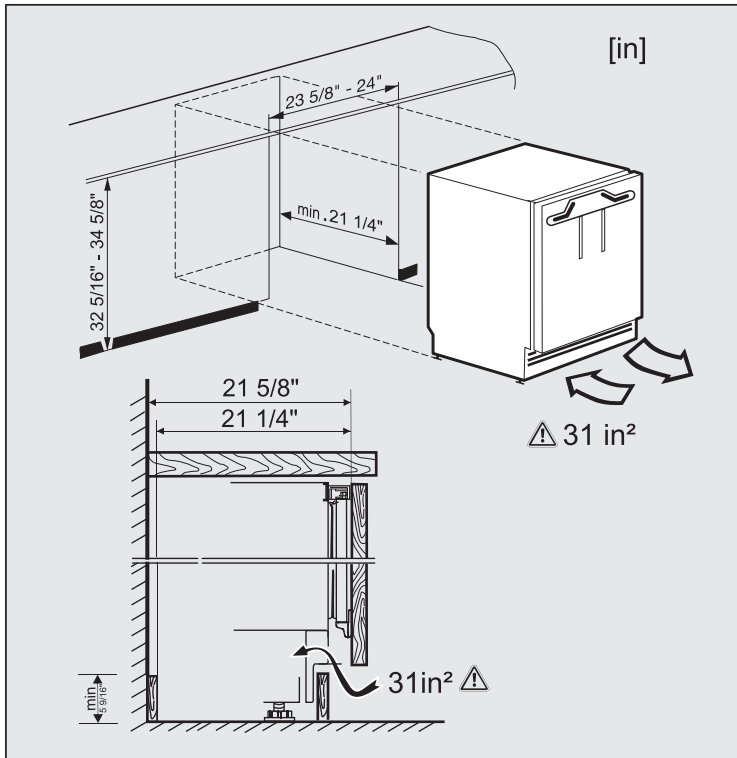
Installation dimensions

Installation dimensions



Appliance dimensions

Installation



Dimensions for ventilation

* The declared energy consumption was achieved with a niche depth of 22 1/16" (560 mm). The appliance is fully capable of functioning at a niche depth of 21 5/8" (550 mm), but will consume slightly more energy.

If the appliance is suitable for installation in a niche, ensure before installation that it has precisely the correct dimensions. The specified ventilation grille dimensions must be complied with to ensure that the appliance functions correctly.

Changing the door hinges

The appliance is supplied with right-hand hinging. If left-hand hinging is required, the hinges must be changed.

⚠ Risk of injury and damage when changing the door hinging.

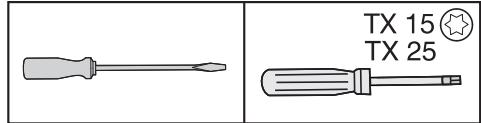
There is an increased risk of injury and damage if the refrigeration appliance is installed by a single person. Always change the door hinging with the assistance of another person.

If the door seal is damaged or has come out of the groove, the door will not close properly and this will affect cooling. Condensation will form in the inside and this can cause a build-up of ice.

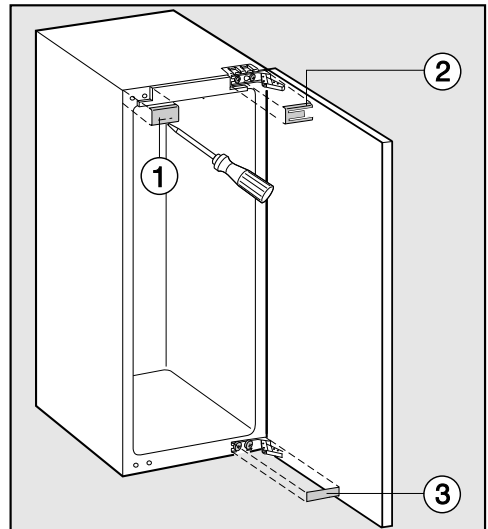
Do not damage the door seal, and make sure that it does not come out of its groove.

Preparing to change the door hinging

To change the door hinging, you will need the following tools:

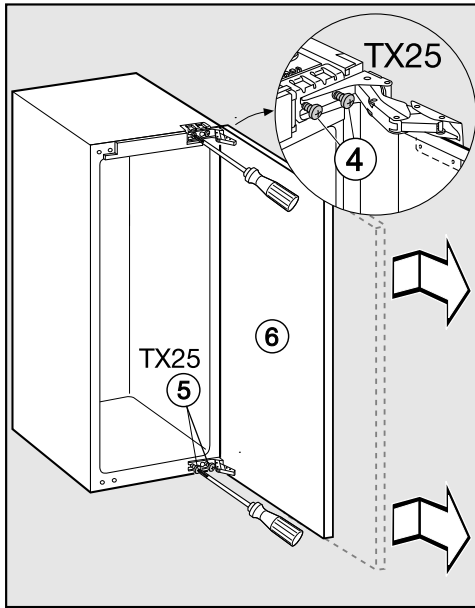


- Place a suitable cover on the floor in front of the appliance to protect the appliance doors and your floor from damage while you are changing the hinging.



- Lift off the covers: ①, ②, and ③.

Installation

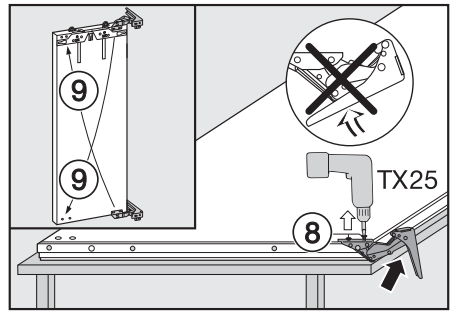


- Slightly loosen the hinge screws: ④ and ⑤.
- Push the door ⑥ outward and take it off its hinges.
- Undo the screws ④ completely and loosely screw them in on the opposite side.
- Undo the screws ⑤ completely and loosely screw them in on the opposite side.

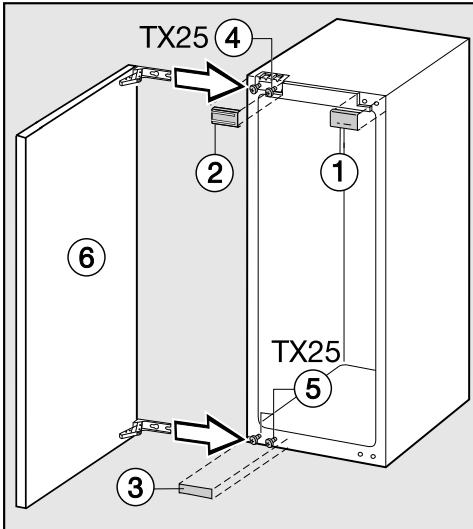
Installing the door

- Place the door with the outer side upward on a stable surface.

⚠ Danger of injury from folding door hinges.
The hinges can snap closed.
Leave the hinges open.



- Remove the screws ⑧.
- Replace the hinges in their diagonally opposite corners ⑨.



- Hang the appliance door ⑥ onto the pre-installed screws ④ and ⑤, and securely tighten the screws ④ and ⑤.
- Replace the covers: ①, ②, and ③.

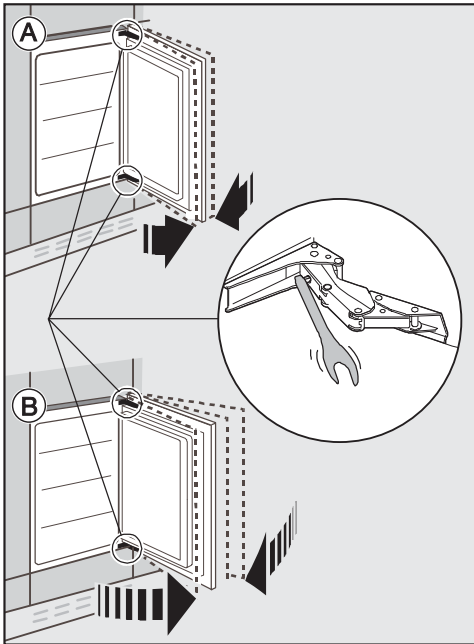
Installation

Adjusting the door hinge

Adjusting the door hinges

If you would like the appliance door to be cushioned so that it opens more softly, the spring tension on the appliance door can be adjusted.

To do this, use an Allen key to adjust the door hinges.



Ⓐ To reduce the opening angle:

- Turn the Allen key clockwise.

This tightens the hinges and makes it harder to open the door wide.

Ⓑ To open the door fully:

- Turn the Allen key counterclockwise.

The hinge is looser, making it easier to open the door.

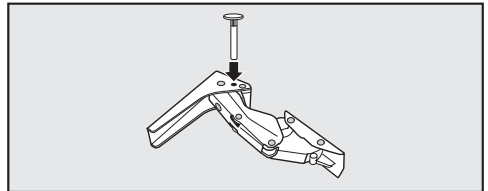
Limiting the opening angle of the appliance door

The door hinges are set at the factory to enable the appliance door to be opened wide.

However, if the opening angle of the door needs to be limited for any reason, the hinge can be adjusted to accommodate this.

If the appliance door hits an adjacent wall when opened, for example, the opening angle can be limited to approx. 90°:

The locking pins for limiting the door opening must be installed before the appliance is installed.

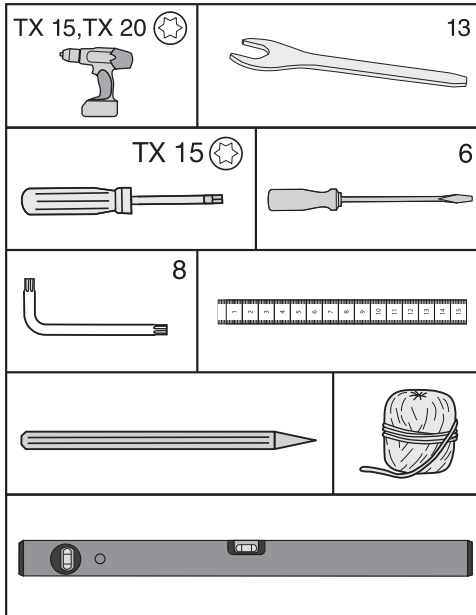


- Insert the locking pins supplied for limiting the door opening into the hinges from above.

The appliance door opening angle is now limited to approximately 90°.

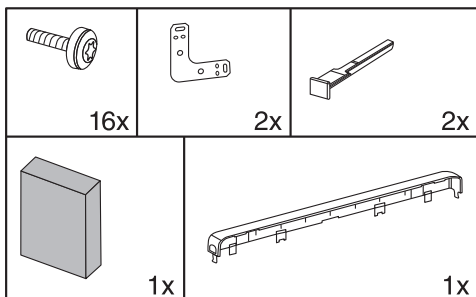
Building in the appliance

To install the appliance, you will need the following tools:



Parts required for installation:

All installation parts are number-coded. This coding is also used in the installation instructions.



Preparing the appliance

- Position the appliance directly in front of the niche.
- Take hold of the toe-kick from the side and pull it forward and off.

You can choose to secure your appliance in one of two different ways:

1. Secured at the top

This method is suitable for securing the appliance underneath a plastic countertop, e.g., laminate). The countertop must be suitable for screwing a bracket to.

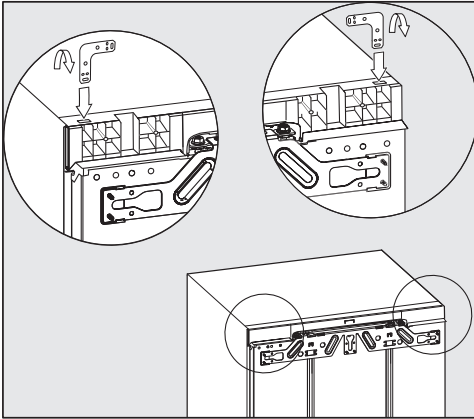
With the appliance feet fully extended, the appliance should fit fairly tightly between the floor and the countertop.

2. Secured at the side

This method is suitable for securing the appliance underneath a solid countertop, e.g., granite). The cabinet side walls to the right and left of the appliance must be suitable for screwing brackets to.

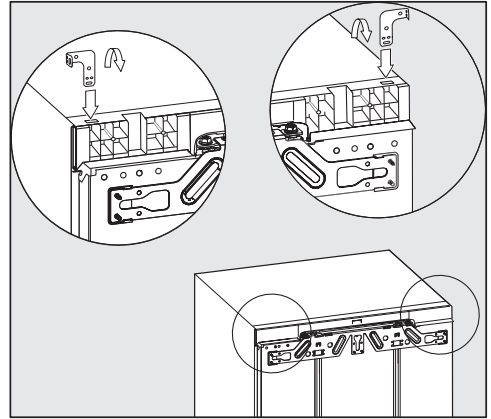
With the appliance feet fully extended, the appliance should sit lower than the countertop.

Installation



1. Secured at the top

- Install the bracket in the aperture in the top of the appliance.
- Bend the bracket at the perforated position.




2. Secured at the side


Both ends of the bracket must be bent.

- Install the bracket in the aperture in the top of the appliance.
- Bend the bracket at the perforated position.
- Remove the bracket from the aperture and insert the straight end of the bracket.
- Now bend this end of the bracket at the perforated position.


Positioning the appliance

 Risk of damaging the power cord.

When pushing the refrigeration appliance into its niche, the power cord can get trapped and damaged. Carefully push the appliance into the niche.

 Risk of damaging the floor.

Moving the refrigeration appliance can cause damage to the floor. Move the refrigeration appliance carefully on floors that are sensitive to scratching.

 Risk of damaging the adjustable feet.

The adjustable feet can break off. The feet should be almost fully screwed in when you push the appliance into the niche.

Tip: Before pushing the appliance into the niche, loosen the two rear feet by half a turn. After pushing it into the niche, the feet will be easier to adjust from the front (see “Aligning the appliance”).

- Lay the power cord so that the appliance can be connected easily once installed.

Tip: Tie a piece of string to the plug to “lengthen” the power cord; this will help you to push the appliance into position. Then pull the power cord through the cabinet by the other end of the string.

If the appliance is pushed too far into the niche, the doors may not close properly once the door panels have been installed. This can cause ice to build up, condensate to accumulate, and cause the appliance to malfunction. These can all lead to increased energy consumption.

Push the appliance into the built-in niche, making sure a gap of **1 5/8" (42 mm)** is maintained all around between the appliance casing and the front of the cabinet side walls.

- Push the appliance into the niche until the front edges of the hinges at the top and bottom are flush with the front edge of the cabinet side wall.

This ensures a distance of **1 5/8" (42 mm)** to the front edges of the cabinet side walls all the way round.

Installation

On cabinets with door fittings (e.g., knobs, raised seals) the dimension of these must be taken into account to ensure that there is a gap of **1 5/8" (42 mm)** all round.

- Pull the appliance forward by the appropriate dimension.
- Check again to make sure there is a gap of **1 5/8" (42 mm)** to the front edges of the door fittings all the way round.

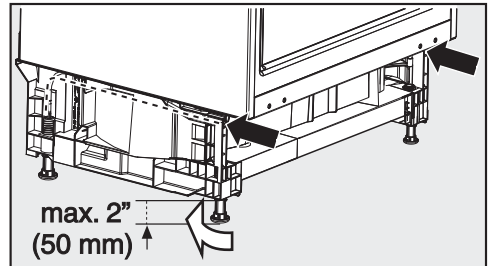
Tip: If possible, remove the door fittings and push the appliance into the niche until all securing brackets at the top and bottom are touching the front edge of the cabinet side wall.

Aligning the refrigeration appliance

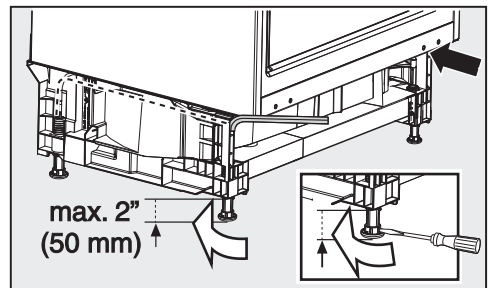
When securing the appliance in the niche at the top, the appliance should fit fairly tightly between the floor and the countertop.

- Adjust the front and rear feet in turn to fit the height of the niche and make sure the appliance is correctly aligned.

Proceed as follows:



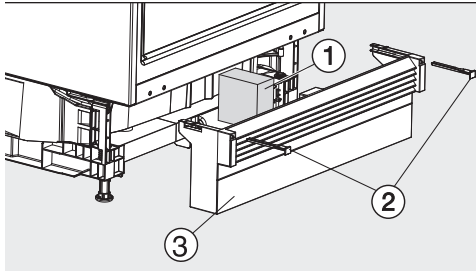
- Adjust both rear feet with the corresponding screws at the front right and left of the appliance toe-kick. Use a flat-head screwdriver to do this.



- Use an Allen key to unscrew both front feet.

Tip: As soon as the feet have been unscrewed slightly, you can adjust them with a screwdriver at the bottom of the foot (see small illustration).

The foam ① ensures the airflow is separated to prevent malfunctioning of the appliance.



- Insert the piece of foam ① supplied.
- Reinstall the toe-kick facing ③, but do not secure it in position yet.

Without a continuous toe-kick facing:

- Pull the toe-kick facing ③ forward until the ventilation slats are in alignment with the adjacent cabinet toe-kick facings.
- Hold the toe-kick facing securely and screw it into place on the right and left using the bolts supplied ②.

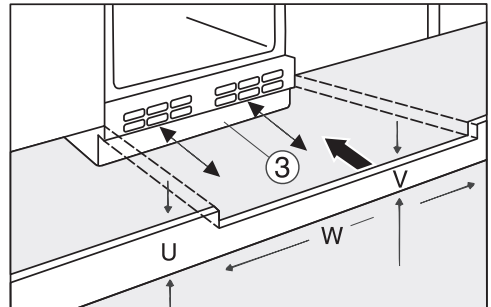
With a continuous toe-kick facing:

- Push the toe-kick facing ③ right up against the appliance and screw it into place on the right and left using the bolts ②.

Installing a continuous toe-kick facing

The appliance is ventilated through a ventilation grille in its toe-kick. The ventilation grille must never be obstructed.

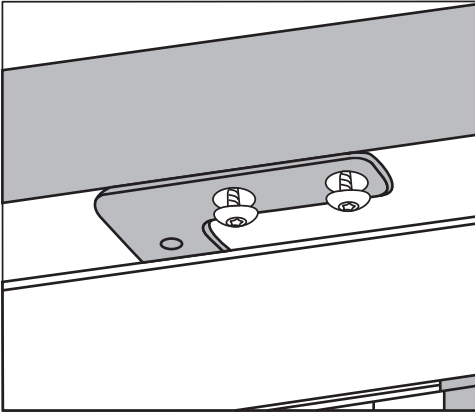
If a continuous toe-kick facing is to be installed, a suitable ventilation gap will need to be cut into it for the appliance's ventilation grille.



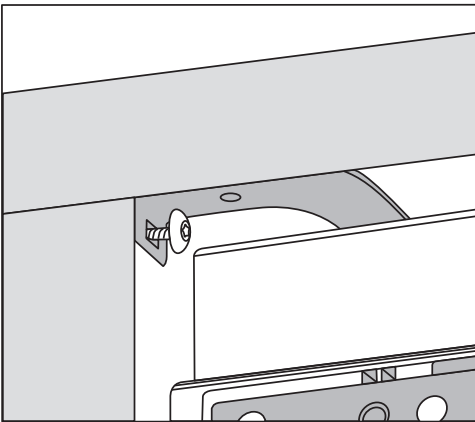
- Trim the toe-kick facing (U) to the correct height.
- Adjust the height (V) along the niche width (W) underneath the appliance toe-kick facing ③.

Installation

Securing the appliance in the niche



1. Secured at the top

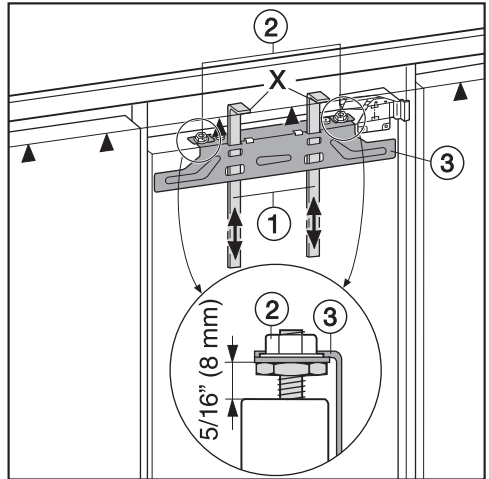


2. Secured at the side

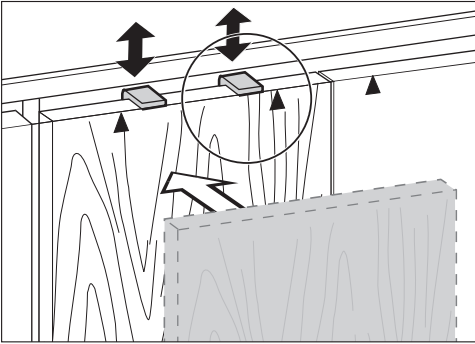
- Screw the appliance into position on the right and the left.

Installing the door panel

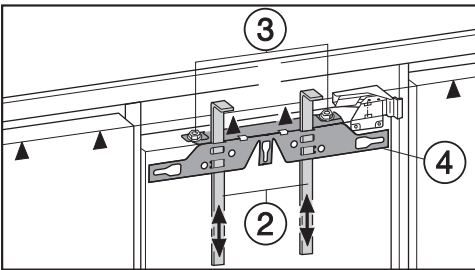
Ensure that the toe-kick facing is re-installed correctly.



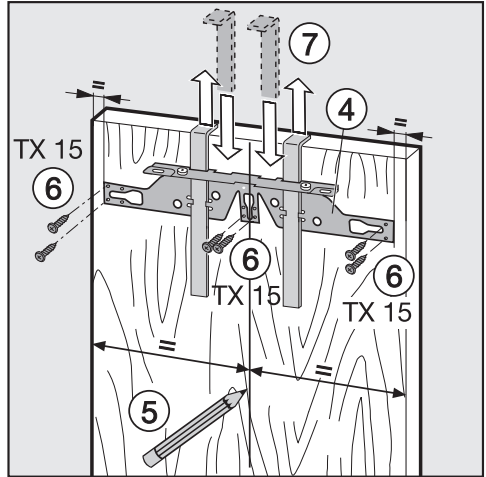
- The distance between the appliance door and the mounting frame is set to 5/16" (8 mm) at the factory. Check this distance and adjust it if necessary.
- Push the installation aids (2) to the height of the door panel. The lower contact edge X of the installation aids must be at the same height as the upper edge of the door panel to be installed (▲ symbol).



Tip: Push up the installation aids ② together with the cabinet front until they are at the same height as the neighboring unit doors.

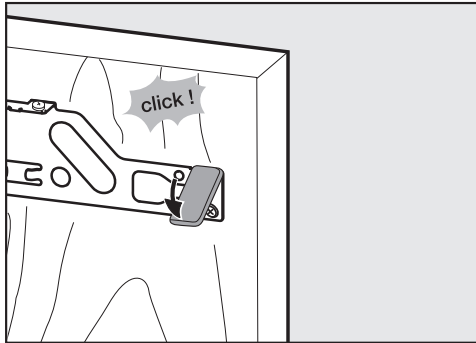


■ Unscrew the nuts ③ and remove the mounting frame ④ together with the installation aids ②.



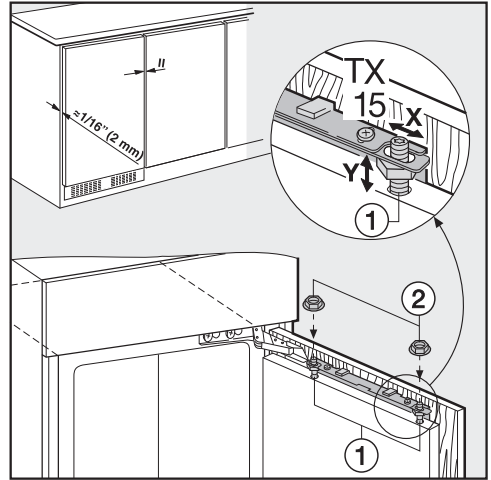
- Draw a faint central line with a pencil on the inside of the door panel ⑤.
- Hang the mounting frame ④ with the installation aids on the **inside** of the door panel. Align the mounting frame centrally.
- Attach the mounting frame securely using at least 6 short particle board screws ⑥. (On raised paneled doors, only use 4 screws on the edges.) Pre-drill holes into the door panel if necessary.
- Pull the installation aids upward to remove them ⑦. Turn them around and push them all the way into the middle slots on the mounting frame for safekeeping.

Installation

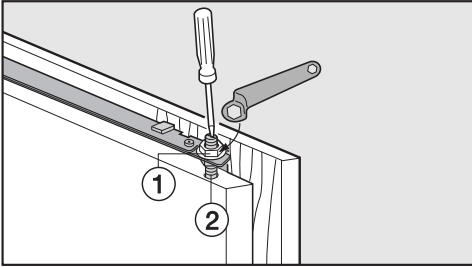


- Attach the side cover to the mounting frame on the side opposite the hinge.
- Turn the door panel over and attach the handle (if required).

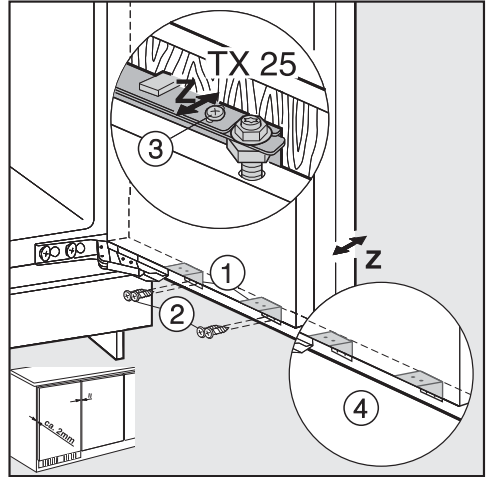
- Open the appliance door.



- Hang the door panel on adjusting bolts ①.
- Screw nuts ② loosely onto the adjusting bolts.
- Close the door and check the distance between the door and adjacent door panels.
- Align to match adjacent doors if necessary:
Side adjustments X are made by sliding the door panel, and height adjustments Y by turning the adjusting bolts ① with a screwdriver.

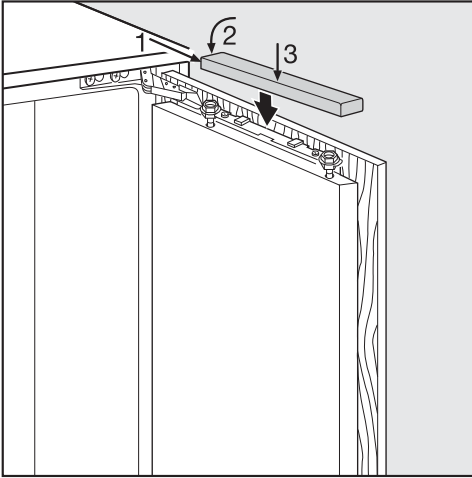


- Whilst counterholding the adjusting bolts ① with a screwdriver, tighten nuts ② on the appliance door at the top with a screwdriver.



- Attach the appliance door and the door panel using screws through retaining brackets ①:
 - Drill holes in the door panel (mark the position of the holes first).
 - Screw in the short particle board screws ② (4 x 14 mm).
- Align the door panel along the depth plane Z: loosen the screws in the long slots at the top of the appliance door ③ as well as under the appliance door ④. By moving the door panel, create a gap of 1/16" (2 mm) between the door panel and the front edge of the niche. Align according to the adjacent door panels.
- Close the door, check it is fastened correctly, and align it with adjacent door panels.
- Tighten all the screws again.

Installation



- Fit the cover in position.

The appliance is properly installed in the niche if:

- the door closes properly
- the door does not touch the housing unit
- the seal on the top corner of the handle side is firmly seated
- To double check place a flashlight in the appliance and close the door. Turn the lights out in the room. If you can see any light shining out from the sides, double check the individual installation steps.

Electrical connection



Danger of electric shock!

The appliance must only be switched on when it has been installed in accordance with the installation instructions.

Ground the appliance.

The appliance must not be grounded via a gas pipe.

If in doubt, have a suitably qualified and experienced electrician check that the installation complies with relevant regulations.

Do not install a fuse into neutral current or grounding electrical circuit.

Do not use extension cords or ungrounded (two prong) adapters.

Do not use a frayed or damaged power cord.



Danger of electric shock!

For protection against electric shock this appliance is equipped with a pole-free plug which is protected against reverse polarity. The plug must be grounded in the usual way.

Do not remove the round grounding connector pin from the plug.

Use only a grounded plug adapter.

Wait for 1 hour after installation before plugging the appliance into the power supply. This allows coolant and refrigerant oil to settle in accordance with regulations.

Ensure that the voltage of the main power supply corresponds with the connection voltage of the appliance. A power supply of 110 - 120 V, 60 Hz and 15 Amp (20 Amp for side-by-side installation) with a NEMA 5-15 molded plug, which is protected by a main switch or a fuse, is required to operate the appliance.

The manufacturer recommends operating the appliance on a separate circuit to avoid overloading the electrical circuit.

All relevant legal electrical, fire and building regulations must be observed when installing the socket and/or the appliance.

In certain countries appliances are required to be connected to the electrical supply via a wall-mounted ON/OFF switch.

To avoid the risk of fire, electric shock or other injuries installation and connection of the appliance must be carried out by a suitably qualified electrician in accordance with all relevant local and national regulations and standards, including fire prevention.

The outlet must be easily accessible in an emergency so that the appliance can be quickly disconnected from the electrical supply in case of an emergency.

The socket must be located so that the upper edge is a maximum 82" (2100 mm) distance from the upper edge of the base of the kitchen cabinet.

If the outlet is no longer accessible once the appliance has been installed, an all-pole disconnect device with a contact opening of at least 1/8" (3 mm) must be present on site. The disconnect device may be circuit breaker, a fuse, or a contactor (compliant with local regulations).

The plug and power cord must not come into contact with the back of the appliance as vibrations can cause damage to these components. This, in turn, could result in a short circuit.

Do not plug in other devices behind this appliance.

Installation

Do not connect the appliance to an inverter such as those used with an autonomous energy source e.g. **solar power**. When switched on, peak loads in the system can cause the safety switch-off mechanism to be triggered. This can damage the electronic unit. The appliance must not be used with so-called **energy-saving devices** either. These reduce the amount of energy supplied to the appliance, causing it to overheat.

If the power cord needs to be replaced, this must be done by a qualified technician.

Please have the model and serial number of your appliance available when contacting Customer Service.

The Miele logo consists of the word "Miele" in a bold, white, sans-serif font, set against a solid black rectangular background.

U.S.A.

Miele, Inc.

National Headquarters

9 Independence Way
Princeton, NJ 08540
Phone: 800-843-7231
Fax: 609-419-4298
www.mieleusa.com

Customer Service & Support

Phone: 888-99-MIELE(64353)
Fax: 888-586-8056
service@mieleusa.com

International Headquarters

Miele & Cie. KG
Carl-Miele-Straße 29
33332 Gütersloh
Germany

Canada

Importer
Miele Limited

Headquarters and Miele Centre

161 Four Valley Drive
Vaughan, ON L4K 4V8
www.miele.ca

Customer Care Centre

Phone: 800-565-6435
905-532-2272
customercare@miele.ca

K 31222 Ui

en-US

M.-Nr. 10 865 900 / 03