







## Operating and installation instructions Heat-pump dryer



To avoid the risk of accidents or damage to the appliance it is **essential** to read these instructions before it is installed and used for the first time.

# Contents

---

<b>Caring for the environment</b> .....	<b>5</b>
Disposal of fluff or accessories .....	5
<b>Warnings and safety instructions</b> .....	<b>6</b>
<b>Operating the tumble dryer</b> .....	<b>16</b>
Control panel.....	16
How the programme selector works .....	17
How the control field works.....	17
Drum lighting.....	18
<b>Initial commissioning</b> .....	<b>19</b>
Installation.....	19
Information about networking .....	19
Miele@home.....	19
Wash2Dry   .....	20
Setting up Miele@home .....	21
<b>1. Notes on correct laundry care</b> .....	<b>22</b>
Washing .....	22
Drying .....	22
Care label symbols .....	22
<b>2. Load the tumble dryer</b> .....	<b>23</b>
Checking the socket for the fragrance flacon.....	23
<b>3. Selecting a programme</b> .....	<b>24</b>
Switching on the tumble dryer .....	24
Selecting a programme .....	24
1. Selecting drying programmes using the programme selector .....	24
2. Selecting drying programmes via the MobileStart  programme selector position .....	24
3. Selecting a drying programme via the Wash2Dry   programme selector position .....	24
Selecting programme settings .....	25
Selecting the drying level.....	25
Selecting Gentle tumble.....	25
<b>4. Starting the programme</b> .....	<b>26</b>
<b>5. End of programme – unloading the drum</b> .....	<b>27</b>
End of programme.....	27
Unloading the drum .....	27
Observe any maintenance notes .....	27
 <b>Delay start/SmartStart</b> .....	<b>28</b>
SmartStart.....	29
<b>Programme overview</b> .....	<b>30</b>

<b>Changing the programme sequence</b> .....	<b>33</b>
Changing a programme once it has started .....	33
Adding or removing laundry .....	33
<b>Fragrance flacon</b> .....	<b>34</b>
FragranceDos .....	34
Removing the protective seal from the fragrance flacon .....	34
Inserting the fragrance flacon .....	35
Opening the fragrance flacon .....	36
Closing the fragrance flacon .....	36
Removing/replacing the fragrance flacon .....	37
<b>Cleaning and care</b> .....	<b>38</b>
Observing the cleaning intervals .....	38
Cleaning the fluff filters .....	38
Removing the fragrance flacon .....	38
Removing visible fluff .....	39
Cleaning the fluff filters and air flow openings thoroughly .....	40
Cleaning the plinth filter .....	42
Removing the plinth filter .....	42
Cleaning the plinth filter .....	43
Replacing the plinth filter .....	44
Cleaning the plinth filter flap .....	46
Checking the heat exchanger .....	46
Inserting the plinth filter .....	47
Reactivating the plinth filter .....	47
Cleaning the tumble dryer .....	48
<b>Problem solving guide</b> .....	<b>49</b>
Indicator lights or information on the time display .....	49
Unsatisfactory drying results .....	51
The drying cycle duration is very long .....	52
Other problems .....	53
<b>Service</b> .....	<b>54</b>
Contact in the event of a fault .....	54
Optional accessories .....	54
Maintenance .....	54
<b>Installation</b> .....	<b>55</b>
Front view .....	55
Rear view .....	56
Locations .....	56
Side view .....	56
View from above .....	56
Washer-dryer stack .....	57

# Contents

---

Transporting the tumble dryer to its installation site .....	57
Installation .....	58
Downtime after installation .....	59
Levelling the tumble dryer .....	59
Room ventilation .....	60
Hose for external drainage of condensed water .....	61
Electrical connection .....	63
<b>Technical data .....</b>	<b>64</b>
Data sheet for household tumble driers .....	65
EU Conformity declaration .....	66
UK Conformity declaration .....	66
<b>Consumption data .....</b>	<b>67</b>
<b>Programmable functions .....</b>	<b>68</b>
Programming .....	68
<i>P00</i> Factory default .....	71
<i>P01</i> Cottons drying levels .....	71
<i>P02</i> Minimum iron drying levels .....	71
<i>P04</i> Cooling down temperature .....	72
<i>P05</i> Buzzer volume .....	72
<i>P06</i> Keypad tone .....	72
<i>P07</i> PIN code .....	73
<i>P08</i> Conductivity .....	73
<i>P11</i> Control field switch-off behaviour .....	74
<i>P13</i> Memory .....	74
<i>P14</i> Anti-crease .....	74
<i>P19</i> Buzzer active .....	75
<i>P20</i> Airways indicator .....	75
<i>P22</i> Backlight brightness dimmed .....	76
<i>P25</i> Duration of programme end buzzer .....	76
<i>P26</i> Welcome tone .....	76
<i>P90</i> Operating hours .....	76
Networking .....	77
<i>P24</i> RemoteUpdate .....	77
<i>P31</i> Remote control .....	79
<i>P32</i> SmartGrid .....	79
Copyrights and licences for the communication module .....	80

### Disposing of the packaging material

The packaging material is used for handling and protects the appliance from transport damage. The packaging material used is selected from materials which are environmentally friendly for disposal and can generally be recycled.

Recycling the packaging material reduces the use of raw materials. Use material-specific collection points for valuable materials and take advantage of return options. Your Miele dealer will take the packaging material away.

### Disposing of your old appliance

Electrical and electronic appliances contain many valuable materials. They also contain certain materials, compounds and components which were essential for their correct functioning and safety. These could be hazardous to human health and to the environment if disposed of with household waste or if handled incorrectly. Please do not, therefore, dispose of your old appliance with household waste.



Take care not to damage your tumble dryer's pipework and heat exchanger before or during disposal in an authorised, environmentally friendly manner. This is to ensure that coolant in the tumble dryer and oil in the compressor is contained, and will not leak into the environment.

Instead, please make use of officially designated collection and disposal points to dispose of and recycle electrical and electronic appliances in your local community, with your dealer or

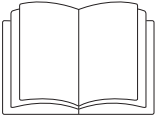
with Miele, free of charge. By law, you are solely responsible for deleting any personal data from the old appliance prior to disposal. You are legally obliged to remove any old batteries which are not securely enclosed by the appliance and to remove any lamps without destroying them, where this is possible. These must be taken to a suitable collection point where they can be handed in free of charge. Please ensure that your old appliance poses no risk to children while being stored for disposal.

### Disposal of fluff or accessories

Abrasion causes environmentally harmful microplastic particles to be released from garments containing synthetic fibres, which remain on the laundry after washing. For this reason, dispose of the fluff collected by the fluff filters with your household waste. To prevent microplastics from spreading into the waste water system, fluff must not be drained away with the water. Dispose of unusable accessories, e.g. empty fragrance flacons or a defective plinth filter, with your household waste.

## Warnings and safety instructions

---



It is essential to read these instructions.



This tumble dryer contains a refrigerant that is flammable and explosive.

This tumble dryer complies with all current local and national safety requirements. However, inappropriate use can lead to personal injury and damage to property.

Read the operating instructions carefully before using the tumble dryer. They contain important information on safety, installation, use and maintenance. This prevents both personal injury and damage to the tumble dryer.

In accordance with standard IEC 60335-1, Miele expressly and strongly advises that you read and follow the instructions in the chapter on installing the tumble dryer as well as the safety instructions and warnings.

Miele cannot be held liable for damage caused by non-compliance with these instructions.

Keep these operating instructions in a safe place and pass them on to any future owner.

When instructing other people how to use the tumble dryer, they must be made aware of these safety and warning instructions.

### Correct application

- ▶ This tumble dryer is only intended for drying fabrics which have been washed in a water solution, and marked on the manufacturer's care label as being suitable for tumble drying. "Dry cleaning kits" for freshening up garments in a tumble dryer are increasingly available on the market. If using, do so at your own risk, and follow the instructions provided on the packaging. Any other applications may be dangerous. Miele cannot be held liable for damage resulting from incorrect or improper use or operation.
- ▶ This tumble dryer may also be operated in public areas.
- ▶ The tumble dryer is not intended for outdoor use.
- ▶ This appliance can only be used by people with reduced physical, sensory or mental capabilities, or lack of experience or knowledge, if they are supervised whilst using it or have been shown how to use it in a safe way and understand and recognise the consequences of incorrect operation.
- ▶ Children under 8 years of age must be kept away from the tumble dryer unless they are constantly supervised.
- ▶ Children 8 years and older may only use the tumble dryer unsupervised if they have been shown how to use it safely and recognise and understand the consequences of incorrect operation.
- ▶ Children must not be allowed to clean or maintain the tumble dryer unsupervised.
- ▶ Please supervise children in the vicinity of the tumble dryer and do not let them play with it.

### Technical safety

- ▶ Before setting up the tumble dryer, check it for any externally visible damage.  
Do not install or use a damaged tumble dryer.
- ▶ Do not make any alterations to the tumble dryer, unless authorised to do so by Miele.

## Warnings and safety instructions

---

▶ Temporary or permanent operation on an autonomous power supply system or a power supply system that is not synchronised with the mains power supply (e.g. island networks, back-up systems) is possible. A prerequisite for operation is that the power supply system complies with the specifications of EN 50160 or an equivalent standard.

The function and operation of the protective measures provided in the domestic electrical installation and in this Miele product must also be maintained in isolated operation or in operation that is not synchronised with the mains power supply, or these measures must be replaced by equivalent measures in the installation. As described, for example, in the current version of BS OHSAS 18001–2 ISO 45001.

▶ Do not connect the tumble dryer to the mains electricity supply by an extension lead. Extension leads are a fire hazard and do not guarantee the required safety of the tumble dryer.

▶ If the electrical connection cable is faulty it must always be replaced by a Miele authorised service technician to protect the user from danger.

▶ The electrical safety of this tumble dryer can only be guaranteed when correctly earthed. It is essential that this standard safety requirement is met. If in any doubt, please have the on-site wiring system inspected by a qualified electrician. Miele cannot be held liable for the consequences of an inadequate earthing system (e.g. electric shock).

▶ Unauthorised repairs could result in unforeseen dangers for the user, for which Miele cannot accept liability. Repairs should only be undertaken by a Miele approved service technician, otherwise any subsequent damage will not be covered by the warranty. Ensure current is not supplied to the tumble dryer until after maintenance or repair work has been carried out.

▶ Faulty components must only be replaced by genuine Miele original spare parts. The manufacturer can only guarantee the safety of the appliance when Miele replacement parts are used.

▶ To ensure the correct performance of the tumble dryer and to prevent the risk of faults and fire, it is important to carry out maintenance on a regular basis.



## Warnings and safety instructions

---

- ▶ In the event of a fault or for cleaning purposes, the tumble dryer is only completely isolated from the electricity supply when:
  - it is switched off at the wall socket or the plug is withdrawn, or
  - it is switched off at the mains, or the mains fuse is disconnected
  - the screw-out fuse is removed (in countries where this is applicable), or it is switched off at the isolator switch.

See “Installation - Electrical connection”.

- ▶ This appliance must not be used in a non-stationary location (e.g. on a ship).

▶ See “Installation” and “Technical data”.

- ▶ The accessibility of the plug must be always ensured, in order to separate the tumble dryer from the mains. All electrical work should be carried out only by a suitably qualified and competent person, in strict accordance with national and local safety regulations.

- ▶ If the appliance is hard wired, adequate provision must be made on site to switch off all poles to disconnect the tumble dryer from the electrical supply.

- ▶ Do not block the gap between the bottom of the tumble dryer and the floor with plinth facings, deep pile carpet etc. This would hinder a sufficient flow of air to the dryer.

- ▶ Do not install a lockable door, a sliding door or a door which is hinged in the opposite direction to the dryer door.

- ▶ This tumble dryer is supplied with a special lamp to cope with particular conditions (e.g. relating to temperature, moisture, chemical resistance, abrasion resistance and vibration). This special lamp must only be used for the purpose for which it is intended. It is not suitable for room lighting. Replacement lamps may only be fitted by a Miele authorised person or by Miele Service.



## Warnings and safety instructions

---

► The R290 refrigerant contained in this tumble dryer is flammable and explosive. If the tumble dryer is damaged, proceed as follows:

- Avoid naked flames or anything which creates a spark.
- Disconnect the tumble dryer from the electrical supply.
- Air the room where the tumble dryer is located.
- Contact the Miele Customer Service Department.

 Risk of fire and explosion due to damage to the tumble dryer.

The refrigerant is flammable and explosive if it leaks.

Take measures to protect the tumble dryer against damage. Do not make any alterations to the tumble dryer.

► This tumble dryer uses a gaseous refrigerant which is condensed by the compressor. Having been increased to a high temperature level as a result of the condensing process, the refrigerant passes through a closed refrigerant circuit. The heat generated is transferred to the drying air as it flows through the heat exchanger.

- The humming noises caused by the heat pump during the drying process are normal. They do not impair the efficient functioning of the tumble dryer.
- The refrigerant is environmentally friendly and causes no damage to the ozone layer.

 Damage to the tumble dryer by switching it on too soon.

This can damage the heat pump.

After setting up the tumble dryer, wait for at least one hour before starting a drying programme.

### Correct use

► The maximum load for this tumble dryer is 8 kg (dry weight). The maximum recommended loads for individual programmes are given in the Programme chart.

► Do not lean on the door. Otherwise, the tumble dryer may tip over, causing injury to yourself or others.

## Warnings and safety instructions

---

▶ Always close the door after use. This way you will avoid the danger of:

- children climbing onto or into the dryer or hiding things in it.
- pets or other small animals climbing into it.

▶ Do not use a pressure washer or hose to clean the tumble dryer.

▶ Keep the room where the tumble dryer is located free from dust and fluff. If the air that is taken into the machine contains dirt particles, this can cause blockages. A fault may then occur and there is a risk of fire.

▶ The tumble dryer must not be used:

- without the fluff filters in place or without the filter in the plinth.
- if the fluff filters or the filter in the plinth are damaged in any way. In case of damage, the fluff filters and plinth filter must be replaced immediately.

A damaged filter would cause an excessive build-up of fluff which in turn would cause a tumble dryer fault.

▶ To ensure problem-free operation of the tumble dryer:

- Remove the fluff from the fluff filter surfaces after every drying cycle.
- The fluff filters and the plinth filter must be thoroughly dried after cleaning them with water. Wet or damp fluff filters/plinth filter could cause operational faults while drying.
- In addition, the fluff filters, filter surfaces and the air passages must be cleaned when prompted by the display.

▶ Do not install the tumble dryer in a room where there is a risk of frost occurring. At temperatures around freezing point the tumble dryer may not be able to operate properly. There is a risk of damage if the condensed water is allowed to freeze in the pump or hoses. The ambient room temperature should be between 2°C and 35°C.

▶ If the water is drained externally through the drain hose instead of being collected in the condensed water container, make sure the drain hose is securely attached if you hang it in a sink or basin to avoid the hose slipping and the water causing damage.

▶ Condensed water is not drinking water.

It can cause health problems in both people and animals if consumed.

## Warnings and safety instructions

---

- ▶ To prevent the risk of fire, the following textiles must not be dried in this tumble dryer:
- items which have not been washed.
  - Items, such as workwear, which have not been thoroughly cleaned and which are still soiled with grease, oil or other deposits (such as cosmetics, lotions etc). If items have not been thoroughly cleaned there is a danger that these might ignite when heated, even after they have been removed from the dryer at the end of the programme.
  - Items that have been soiled with substances such as acetone, petrol, kerosene, stain removers, turpentine, waxes, wax removers and other chemicals (e.g. mops and floor cloths) should be washed in hot water with extra detergent before being dried in the tumble dryer.
  - Items which have been splashed with hair lacquer, hair spray, nail varnish remover or similar substances.

When washing very heavily soiled items ensure that you use sufficient detergent and select a high temperature. If in doubt wash several times before drying.

- ▶ Remove all items from pockets (e.g. lighters, matches).
- ▶ In many programmes, the heating phase is followed by a cooling down phase to ensure that the items are not too hot to handle when you remove them (this also avoids the danger of the laundry self-igniting). The programme is not finished until the cooling down phase is complete. Ensure that you always wait until the end of the programme before removing the laundry.
- ▶ To prevent the risk of fire, do not connect the tumble dryer via a controllable socket (e.g. a timer or a peak-load switch-off). If the drying programme is interrupted before the end of the cooling down phase, this could cause the laundry to self-ignite.

## Warnings and safety instructions

---

▶ To prevent the risk of fire, the following textiles must not be dried in this tumble dryer:

- items which have been cleaned using chemicals (e.g. professional dry-cleaning agents).
- fabrics which contain a large proportion of rubber, foam rubber or rubber-like materials. For example, products made from latex foam rubber, shower caps, waterproof textiles, rubberised articles and items of clothing and pillows with foam rubber filling.
- Fabrics which contain damaged padding or fillings (e.g. pillows, jackets). When damaged, the filling can get out with the risk of it igniting in the dryer.

▶ The programme ends when the cooling phase starts. Many programmes are followed by the cooling phase to ensure that the items are not too hot to handle when you remove them (this also reduces the risk of the laundry self-igniting).

Always remove all laundry as soon as the programme has finished.

▶ Fabric conditioner and similar products must be used according to the instructions on the manufacturer's packaging.

▶ Benzine, petrol, paraffin, or any easily flammable liquid must not be stored or used near the machine. Danger of explosion.

▶ The heat pump that is essential to the operation of this tumble dryer generates a great deal of heat inside its casing. There must be a reliable means of dissipating this heat. Otherwise loads could take longer to dry or the tumble dryer might sustain damage in the long term.

The following mandatory requirements must be met:

- permanent room ventilation from the beginning to the end of every drying programme
  - a gap between the floor and the bottom of the tumble dryer (this must not be blocked or obstructed in any way)
- ▶ Do not expose the dryer to air which is contaminated with vapour of chlorine, fluorine or other solvents. Danger of fire.

## Warnings and safety instructions

---


- ▶ For tumble dryers with stainless steel surfaces:  
The stainless steel surfaces must not come into contact with liquid cleaning and disinfecting agents which contain chlorine or sodium hypochlorite. These agents can have a corrosive effect on stainless steel.  
Aggressive vapours containing chlorine can also be corrosive.  
Do not store containers of these agents near the tumble dryer.

### Using a fragrance flacon (optional accessory)

- ▶ Only ever use original Miele fragrance flacons.
- ▶ The fragrance flacon must be stored in its packaging so please make sure you retain this.
- ▶ Make sure that you always keep the fragrance flacon or the fluff filter with the flacon inserted in it in a horizontal position when carrying, and do not tip or place it down on any surface. The fragrance can leak out of the flacon.
- ▶ Use an absorbent cloth to wipe up any fragrance which has leaked out of the flacon onto the floor, the dryer or any dryer components (e.g. the fluff filter) immediately.
- ▶ If fragrance which has leaked out of a flacon: comes into contact with the **skin** - wash the skin thoroughly with soap and water; comes in contact with the **eyes** - rinse the eyes with clean water for at least 15 minutes; is swallowed - rinse out the **mouth** thoroughly with clean water. Seek medical advice in the case of contact with the eyes or if fragrance has been swallowed.
- ▶ If fragrance which has leaked out of a flacon comes in contact with clothing, change the clothing immediately. Wash the clothing or any cloths used for mopping up fragrance thoroughly with plenty of water and detergent.
- ▶ There is the risk of fire or damage to the tumble dryer if the following instructions are not observed:
  - Never refill a flacon with fragrance.
  - Never use a faulty fragrance flacon.
- ▶ Dispose of an empty fragrance flacon with the household waste and never use it for any other purpose.
- ▶ Please also observe the information supplied with the fragrance flacon.

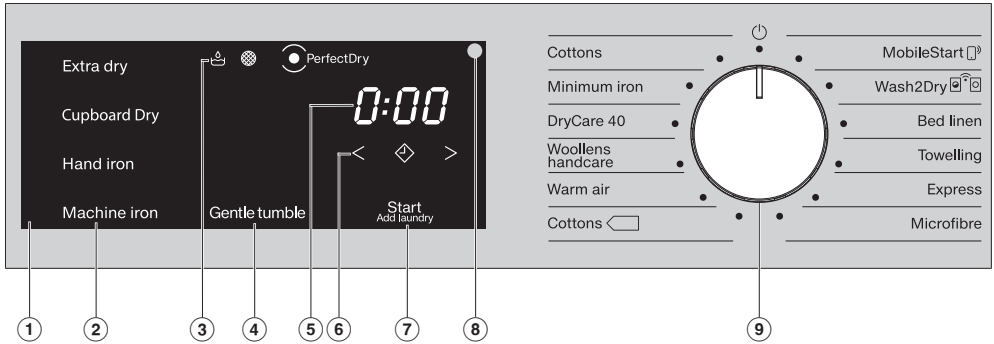
### Accessories



- ▶ Only use genuine Miele original spare parts and accessories with this appliance. If spare parts or accessories from other manufacturers are used, this will invalidate the guarantee, and Miele cannot accept liability.
- ▶ The tumble dryer can also be combined with a Miele washing machine in a washer-dryer stack (stacked machines cannot go on a plinth). The appropriate “APCL” stacking kit (available to order) to match your dryer is required.
- ▶ Make sure that you order the correct plinth for this tumble dryer (available from Miele as an optional accessory).
- ▶ Miele will guarantee to supply functional spare parts for a minimum of 10 years and up to 15 years following the discontinuation of your tumble dryer.

 Miele cannot be held liable for damage caused by non-compliance with these Warning and Safety instructions.

# Operating the tumble dryer

## Control panel




- ① **Control field**
- ② **Sensor controls for the drying levels**
- ③ **Indicator lights**  light up when necessary
- ④ **Gentle tumble sensor control** for gentle drying
- ⑤ **Time display** for the programme duration
- ⑥ **Sensor controls**  for time selection
- ⑦ **Start/Add laundry sensor control**  
Touching the *Start/Add laundry* sensor control starts a programme.
- ⑧ **Optical interface**  
This is used by the Service department as a transmission point.
- ⑨ **Programme selector** for selecting programmes and for switching off the appliance



# Operating the tumble dryer

## How the programme selector works

The programme selector is operated by turning. The tumble dryer is switched on by selecting a programme and switched off by turning the programme selector to the  position.

If the tumble dryer is connected to the WiFi network, you will have access to the following alternative options for selecting programmes.

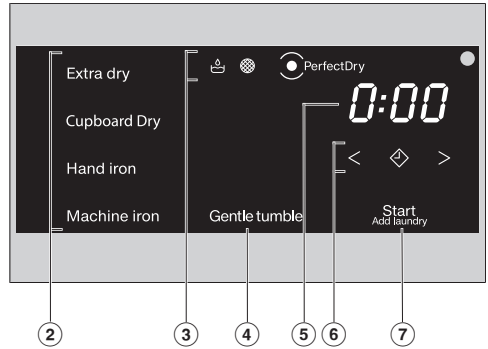
### MobileStart

You can operate your tumble dryer remotely with the Miele app.

### Wash2Dry

A drying programme tailored to the laundry is set automatically in conjunction with the connected washing machine.

## How the control field works



The ②, ④, ⑥ and ⑦ sensor controls react to fingertip contact. If a sensor control is lit, it can be selected.

If a sensor control is brightly lit, this means it is currently selected

If a sensor control is dimly lit, this means it can be selected

### ② Sensor controls for the drying levels




After selecting a drying level programme with the programme selector, the active drying level lights up brightly.

Drying levels that can be selected are dimly lit.


# Operating the tumble dryer

---

## ③ Indicator lights

-  lights up if condensate drainage via the drain hose is hindered.
-  lights up when the plinth filter has to be cleaned.
-  *Perfect Dry*  
With programmes with a selectable drying level, the Perfect Dry system calculates the residual moisture present in the laundry to ensure precise drying results.  
This indicator . . .  
. . . will flash until the programme duration has been determined, and then go out.  
. . . lights up again when the selected drying level is reached towards the end of the programme.  
. . . remains off with the following programmes: *Woollens handcare*, *Warm air*.

## ④ Gentle tumble sensor control

For drying temperature-sensitive textiles with the  symbol. When the sensor control is touched, *Gentle tumble* will light up brightly.

With some programmes, *Gentle tumble* is always active (lights up) or inactive (does not light up).




## ⑤ Time display

The remaining programme duration is displayed in hours and minutes.

With most programmes, the duration displayed may vary or “jump”. The following factors, among others, affect the programme duration displayed: the quantity of laundry, the type of fabric and the residual moisture in the laundry. The electronic module adapts to these

parameters and then adjusts the programme duration with increasing accuracy.

## ⑥ Sensor controls < >

-  After touching the  sensor control, a later start time for the programme (Delay start) can be selected. Once selected,  lights up brightly.
- < >  
The < or > sensor controls are used for selecting the duration of the Delay start period or the duration of the *Warm air* programme.


## ⑦ Start/Add laundry sensor control

Touching the *Start/Add laundry* sensor control starts a programme. The current programme can be interrupted to add laundry. The programme can be started when the sensor control is flashing on and off. The sensor control lights up constantly once the programme has started.


## Drum lighting

When you open the door of the tumble dryer, the drum is illuminated along with the area immediately in front of the dryer. This prevents you from accidentally leaving behind any items in the drum or in your laundry basket. The drum lighting will go out automatically to save energy.

## Installation

 Risk of injury or damage to property due to improper installation. Incorrect installation of the tumble dryer can lead to personal injury or damage to property.

Before commissioning the tumble dryer for the first time, make sure it has been installed and connected correctly. Follow the instructions in "Installation".

 Damage caused by switching the appliance on too soon.

This can damage the heat pump in the tumble dryer.

After installing the tumble dryer, wait for at least one hour before starting a drying programme.

## Information about networking

### Miele@home

Your tumble dryer is equipped with an integrated WiFi module.

To use this feature, you will need:

- A WiFi network
- The Miele app
- A Miele user account. You can create a user account via the Miele app.

The Miele app will guide you as you connect your tumble dryer to your home WiFi network.

Once your tumble dryer is connected to your WiFi network you can use the app, for example, to carry out the following activities:

- Controlling your tumble dryer remotely
- Calling up information on the operating status of your tumble dryer
- Calling up information on the programme sequence of your tumble dryer

Connecting your tumble dryer to your WiFi network will increase energy consumption, even when the tumble dryer is switched off.

Before installing the tumble dryer in its final location, check that the signal strength from your WiFi network is sufficient.

# Initial commissioning

## Availability of the WiFi connection

The WiFi connection shares a frequency range with other appliances (including microwave ovens and remote control toys). This can give rise to sporadic or even complete connection failures. Therefore, the availability of featured functions cannot be guaranteed.

## Miele@home availability

The ability to use the Miele app depends on the availability of the Miele@home service in your country.

The Miele@home service is not available in every country.

For information about availability, please visit [www.miele.com](http://www.miele.com).

## Miele App

The Miele App is available to download free of charge from the Apple App Store® or from the Google Play Store™.



## Wash2Dry

Once the programme has come to a proper end, the Miele washing machine transfers the programme data via the router to which the networked tumble dryer is also connected, as well as transferring it to the Miele Cloud. The tumble dryer automatically sets a drying programme tailored to the laundry based on the transferred programme data.

All you need to do is start the drying programme once you have loaded the tumble dryer. No further programme settings are required on the tumble dryer.

**Tip:** The drying programme must be started within 24 hours of the end of the wash programme. The data will be kept available for the tumble dryer during this period, but will be overwritten when a new wash programme ends.

**Tip:** Do not disconnect the tumble dryer from the network. The programme data transferred by the washing machine will be received by the tumble dryer as soon as you select *Wash2Dry*. If you have disconnected the appliance from the network beforehand, this will cause a delay in receiving the data.

In order to use the *Wash2Dry* function, the Miele washing machine and tumble dryer must be networked using Miele@home services.

**Tip:** Set up Miele@home as described in these operating instructions.

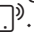
## Setting up Miele@home

There are 2 ways of connecting:

1. Via the Miele app (default)
2. Via WPS  
To do so, you will need a WPS-compatible router.

### Logging in via the Miele app

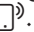

The Miele app can be used to connect to your network.

- Turn the programme selector to *MobileStart* .

*APP* appears on the time display and the timeout starts to count down from 10 minutes. The Miele app will guide you through the remaining steps.

When you have successfully connected, *Con* will appear on the time display.

### Logging in via WPS

- Turn the programme selector to *MobileStart* .
- Touch the  sensor control until *WPS* appears on the time display and a short keypad tone sounds.

The timeout then starts to count down from 2 minutes on the time display.

- Activate the WPS function on your router within 2 minutes.

When you have successfully connected, *Con* will appear on the time display.


**Tip:** If the connection has not been set up when the timeout has finished counting down, repeat the process.

# 1. Notes on correct laundry care

## Washing


- Heavily soiled laundry must be washed particularly thoroughly. Use sufficient detergent and select a high temperature. If in doubt, wash the items several times.
- New, coloured items must be washed thoroughly and separately. Do not dry these items with light coloured garments. There is the risk of colours running and discolouring other garments or even plastic components in the tumble dryer. Dark coloured fluff can also settle on light coloured garments and vice versa.

## Drying

 Damage due to foreign objects which were not removed from the laundry.

Foreign objects in the laundry can melt, burn or explode.

Ensure that any foreign objects (e.g. detergent dispensing aids, lighters, etc.) have been removed from the laundry.

 Risk of fire due to incorrect use and operation.








The laundry can burn and destroy the tumble dryer and the surroundings.

See the section on “Warnings and safety notes” for further information.

- Check seams and stitching to ensure that the items of laundry are intact. This way you will avoid the danger of fillings coming out and causing a fire.
- Sew in or remove underwiring from bras.

- Always dry using the maximum specified load size for the programme whenever possible. A full drum helps to save energy because you don't have to start another drying programme. This will mean that the energy consumption for the amount of laundry is at its most economical.

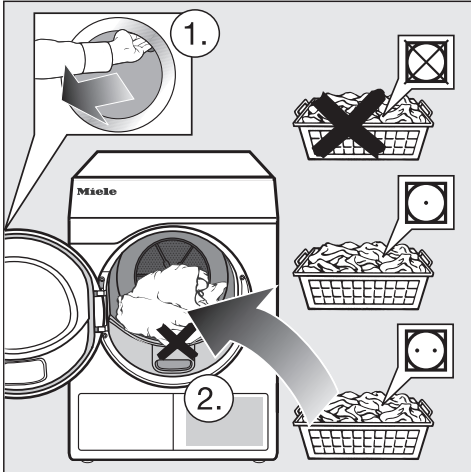
## Care label symbols

Drying	
	Normal/higher temperature
	Low temperature*
* Select <i>Gentle tumble</i>	
	Do not tumble dry
Ironing	
	Very hot
	Hot
	Warm
	Do not iron

## 2. Load the tumble dryer

### Loading the laundry

Preventing textile damage.  
Before loading, read chapter “1. Notes on correct laundry care.”



- Open the door.
- Load the laundry.

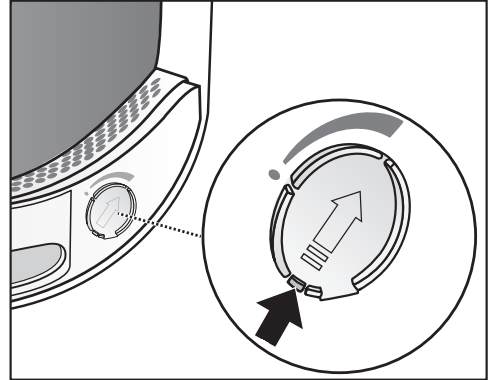
Preventing textile damage.  
When closing the door, make sure that laundry does not get trapped in the door opening.

Do not overload the drum. Overloading can cause unnecessary wear and tear to the laundry and cause a disappointing drying result. It can also cause more creasing.

### Checking the socket for the fragrance flacon

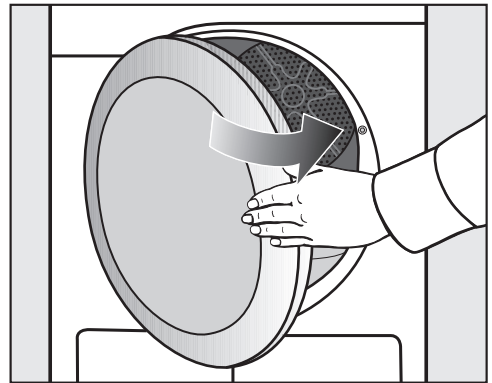
If you are not using a fragrance flacon, check that the socket is closed.

The “Fragrance flacon” chapter describes how to use the fragrance flacon.



- Push the tab down completely (see arrow) so that the socket is closed. Otherwise, fluff will accumulate here.


### Closing the door

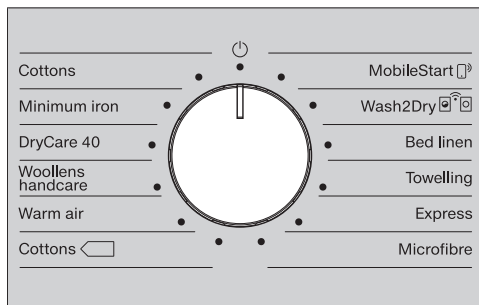


- Shut the door with a gentle swing.

## 3. Selecting a programme

### Switching on the tumble dryer

The tumble dryer is switched on by selecting a programme and switched off by turning the programme selector to the  position.



- Turn the programme selector to a programme.

### Selecting a programme


There are 3 possible ways to select a programme:

#### 1. Selecting drying programmes using the programme selector

- Turn the programme selector to the required programme.

A drying level may also light up and durations will appear in the time display.

#### 2. Selecting drying programmes via the MobileStart programme selector position


- Turn the programme selector to *MobileStart* .

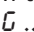

 will light up on the time display.

- Touch the *Start/Add laundry* sensor control.

The tumble dryer can now be operated via a mobile device together with the Miele app.

### 3. Selecting a drying programme via the Wash2Dry programme selector position



- Once the wash process has ended, place the clean laundry in the tumble dryer.
- Turn the programme selector to *Wash2Dry* .

If the connection is successful,  ...  ... will flash in the display. Once the washing machine programme has come to a proper end, the finish time and drying level will be displayed on the tumble dryer.

- To start the programme, all you need to do is press the *Start/Add laundry* sensor control on the tumble dryer.

Programme changeover is not available on this tumble dryer after washing delicate textiles (e.g. curtains) in special wash programmes.

Readouts on the time display:

 ...  ... Dryer starting query

--- Programme cannot be changed over on dryer or dryer waiting for data

 Dryer not connected

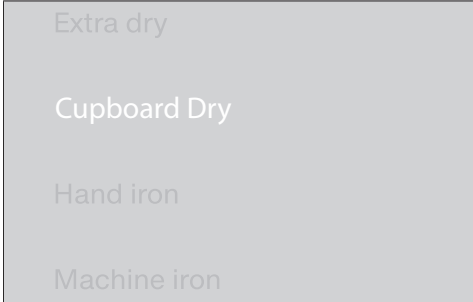


## 3. Selecting a programme

### Selecting programme settings

#### Selecting the drying level

Check the “Programme chart” to see which programme you can select a drying level for and which drying level meets your requirements.



- Touch the sensor control for the drying level you want.

The selected drying level lights up brightly.


#### Selecting the Warm air duration

You can set the duration in ten-minute increments from 0:20 minutes to 2:00 hours.



- Touch the < or > sensor control repeatedly until the required programme running time appears in the time display.

#### Selecting Gentle tumble

Delicate fabric (with the  symbol on the care label, e.g. acrylic garments) is dried at a lower temperature. The programme duration is also longer.

- Touch the *Gentle tumble* sensor control. It then lights up brightly.
- *Gentle tumble* can be selected with the following programmes:
  - *Cottons*
  - *Minimum iron*
  - *Warm air*
- *Gentle tumble* is permanently active in the case of *DryCare 40*.

## 4. Starting the programme

---

### Starting a programme

- Touch the flashing *Start/Add laundry* sensor control.

The *Start/Add laundry* sensor control lights up.

### Programme sequence

- The tumble dryer constantly measures the drying level and calculates the required programme running time based on the residual moisture of the items. The *PerfectDry* indicator flashes during the first measuring phase. The indicator lights up when the selected drying level is complete.
- The drying level that has been reached pulses dimly. When the selected drying level is reached, it will pulse brightly.
- The empty drum detection feature will detect if you place a small number of items inside the tumble dryer or load it with dry laundry. The automatic load recognition function will then restrict the running time of the selected programme once it has started. The fabrics will be gently dried or aired. In this case, the *PerfectDry* indicator does not light up.

Laundry items and fabrics can wear out unnecessarily.  
Avoid overdrying the laundry.

### Energy saving

Indicators are switched off after 10 minutes. The *Start/Add laundry* sensor control flashes slowly.

- Touch the *Start/Add laundry* sensor control to switch the indicators on again (this does not have any effect on a running programme).

### Adding laundry

You can add laundry items after the programme has started.

- Follow the description in “Changing the programme sequence – Adding or removing laundry”.

## 5. End of programme – unloading the drum

### End of programme

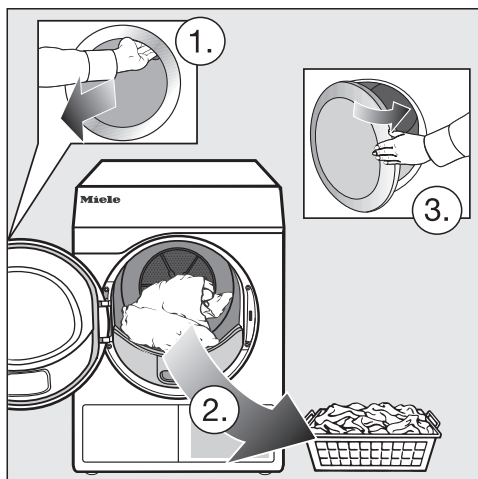
The laundry will be cooled down shortly before the end of the programme. The laundry can now be unloaded.

The programme has ended when only 0:00 is left on the display.

If *Anti-crease* (see “Programmable functions”) has been selected, the drum rotates in intervals. This reduces creasing if the laundry cannot be removed straight away.

The tumble dryer will switch off automatically 15 minutes after the end of a programme.

### Unloading the drum



- Open the door.
- Remove everything from the drum.

Items left in the tumble dryer could be damaged by overdrying when the tumble dryer is used the next time. Always remove all items from the drum.

- Switch the tumble dryer off.

### Observe any maintenance notes

This tumble dryer requires regular maintenance, particularly if it is used on a continuous basis.

**Tip:** Please see “Cleaning and care” for details. Read the “Cleaning the appliance at the correct intervals” section first.

## ◆ Delay start/SmartStart

### Selecting the Delay start function

With Delay start, you can delay the start of a programme from 0:30 minutes up to 24h (hours).

Delay start cannot be used with the *Warm air* programme.

- Start by selecting a programme with programme settings.



- Touch the ◆ sensor control. The ◆ sensor control lights up brightly.
- Touch the > or < sensor control repeatedly until the required Delay start time appears in the time display.

The time will count upwards or downwards automatically if you touch the > or < sensor controls continuously.

### Starting Delay start

- Touch the *Start/Add laundry* sensor control to start the Delay start function.
- Delay start times of more than 10h will count down in hours and then in minutes until the start of the programme.
- With a longer delay start time, the drum will rotate occasionally to untangle the laundry. This is not a fault.

### Altering Delay start

If you would like to alter the Delay start function after starting a programme, the function must be cancelled first.

- Turn the programme selector to the ⏻ position.

The tumble dryer is switched off and Delay start is cancelled.

- Select a programme.
- Select a Delay start time.

### Adding laundry during ongoing Delay start period

- Follow the description in “Changing the programme sequence – Adding or removing laundry”.


## SmartStart

The SmartStart function lets you define a time period during which your tumble dryer will start automatically. The appliance will start on receipt of a signal, e.g. from your energy supplier, that indicates that the electricity tariff is particularly economical.


This function is active when the P32 SmartGrid programmable function is activated

The time period can be defined between 30 minutes and 24 hours. During this period, the tumble dryer waits for the signal from the energy supplier. If no signal is sent during the defined period, the tumble dryer starts the drying programme.

## Setting the time period

If the P32 SmartGrid programmable function is activated, the function of the  sensor control changes. The time display no longer shows the Delay start period, and instead shows the time period in which your tumble dryer can be started automatically.

The procedure for setting this is the same as for setting the time for Delay start.

- Touch the  sensor control.
- Set the time period you want using the < or > sensor controls.
- Touch the *Start/Add laundry* sensor control.

A flashing readout appears in the time display for the duration:  $\bar{L}$ ... .






The period can be ended by opening the door.

# Programme overview

All weights marked with \* are based on the weight of dry laundry.

<b>Cottons</b>		<b>Maximum 8 kg*</b>
<b>Extra dry, Cupboard Dry</b>		
Items	<ul style="list-style-type: none"> <li>- Single and multi-layered cotton items.</li> <li>- Towelling, bathrobes, T-shirts, underwear, jersey/terry bed linen, baby clothes.</li> <li>- Workwear, jackets, cotton blankets, aprons, tea towels, bed linen, towels, table linen.</li> </ul>	
Note	<ul style="list-style-type: none"> <li>- Select <i>Extra dry</i> for multi-layered and very thick fabrics.</li> <li>- Do not use <i>Extra dry</i> for jersey fabrics (e.g. T-shirts, underwear, baby clothes) because they can shrink.</li> </ul>	
<b>Hand iron, Machine iron</b>		
Items	<ul style="list-style-type: none"> <li>- Cotton and linen fabrics.</li> <li>- Table linen, bed linen, starched laundry.</li> </ul>	
Tip	To prevent laundry from drying out, it should be rolled up until you are ready for ironing.	
<b>Minimum iron</b>		<b>Maximum 4 kg*</b>
<b>Cupboard Dry, Hand iron</b>		
Items	<ul style="list-style-type: none"> <li>- Minimum iron fabrics made of synthetic, cotton or mixed fibre.</li> <li>- Workwear, overalls, pullovers, dresses, trousers, table linen, tights.</li> </ul>	
<b>DryCare 40</b>		<b>Maximum 4 kg*</b>
<b>Cupboard Dry, Hand iron, Machine iron</b>		
Items	<ul style="list-style-type: none"> <li>- All fabrics that are free of wool and are washable at temperatures of 40 °C and above.</li> <li>- Minimum iron items made of cotton, synthetic or mixed fibre, e.g. trousers, outdoor jackets or shirts</li> </ul>	
Note	This option dries fabrics gently at a very low temperature.	

# Programme overview

<b>Woollens handcare</b>		<b>Maximum 2 kg*</b>
Items	Woollen garments and fabric containing wool blends, e.g. pullovers, cardigans, tights.	
Note	<ul style="list-style-type: none"> <li>- Wool and wool blend items are only fluffed up; they are not dried completely.</li> <li>- Remove garments as soon as the programme has finished and leave to finish drying at room temperature.</li> </ul>	
<b>Warm air</b>		<b>Maximum 8 kg*</b>
Items	<ul style="list-style-type: none"> <li>- Voluminous items e.g. jackets, pillows and padded items.</li> <li>- Fabrics made up of multiple layers, e.g. heavy cotton table cloths.</li> <li>- Individual items of laundry, e.g. towels, swimwear, tea towels.</li> </ul>	
Note	<ul style="list-style-type: none"> <li>- Used for airing multi-layered fabrics or large items that dry unevenly due to their make-up.</li> <li>- Used for drying a small number of individual garments.</li> <li>- Do not select the longest drying time to start with. Check the items as you are drying them to find the optimum time.</li> </ul>	
<b>Cottons</b> 		<b>max. 8 kg*</b>
Use for	Cotton items such as those described under <i>Cottons Cupboard Dry</i> with normal residual moisture.	
Note	<ul style="list-style-type: none"> <li>- Items are dried to a <i>Cupboard Dry</i> level only in this programme.</li> <li>- The <i>Cottons</i>  programme is the most energy-efficient for drying cotton items with normal residual moisture levels.</li> </ul>	
Note for test institutes	The <i>Cottons</i>  programme is the test programme in accordance with Regulation 392/2012/EU for energy labelling, measured in accordance with EN 61121.	
<b>MobileStart</b> 		
The Miele app is used to select programmes and operate the appliance.		
<b>Wash2Dry</b> 		
The programme is selected automatically in conjunction with the programme selection on the connected washing machine.		
<b>Bed linen</b>		<b>Maximum 4 kg*</b>
<b>Extra dry, Cupboard Dry, Hand iron, Machine iron</b>		
Items	Bed linen, pillowcases	

## Programme overview



<b>Towelling</b>		<b>Maximum 8 kg*</b>
Items	Large quantities of single-layered and multi-layered towelling items. These include, for example, towels, bathrobes, face flannels, flannel bed linen.	
Note	Items are dried to a <i>Extra dry</i> level only in this programme.	
<b>Express</b>		<b>Maximum 4 kg*</b>
<b>Extra dry, Cupboard Dry, Hand iron, Machine iron</b>		
Items	Garments suitable for the <i>Cottons</i> programme	
Note	Shorter programme duration	
<b>Microfibre</b>		<b>Maximum 7 kg*</b>
<b>Extra dry, Cupboard Dry</b>		
Items	Microfibre mops and cleaning cloths.	




# Changing the programme sequence

## Changing a programme once it has started

It is no longer possible to change the selected programme. This is to prevent the operation of the appliance being tampered with.

If you adjust the programme selector, the  symbol will light up in the time display. The  symbol goes out when you select the original programme.

## Cancelling the current programme

- Turn the programme selector to the  position.

The programme is cancelled.

You can now select a new programme.

## Adding or removing laundry

You have forgotten something but the programme is already running.

- Touch the *Start/Add laundry* sensor control.

The word *Add* will appear on the time display. The *Start/Add laundry* sensor control flashes slowly.

- Open the door.
- Add or remove laundry items.

You can still change the programme selection.

- Close the door.
- Touch the *Start/Add laundry* sensor control.

The programme continues.

## Exceptions

In some cases – for example, during the cooling phase – it is not possible to add laundry items. In these cases, the word *Add* is not displayed.

**Tip:** In exceptional cases, the door can be opened while the programme is running.

# Fragrance flacon

## FragranceDos

Fragrance flacons (optional accessories) can be used to give your laundry a pleasant scent.

This dryer has 2 places for inserting fragrance flacons. This gives you a choice of how to use them.

- You can use both positions if you wish to change from one scent to another. You can close the fragrance flacon that you are not using.
- Use both positions if you want a more intense scent of the same fragrance. Or if you wish to conveniently switch between a scent for normal laundry and DryFresh to freshen up your laundry.
- Use one socket only if you only want to use the one fragrance.

**⚠ Risk of fire and damage to health if fragrance flacons are used incorrectly.**

The leaked fragrance can damage your health if it comes into contact with your body. Leaked fragrance can cause fire.

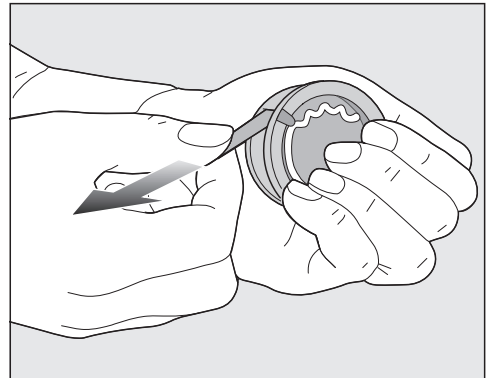
Before using a fragrance flacon, please read “Warnings and safety notes”, “Using the fragrance flacon (optional accessory)”.

## Removing the protective seal from the fragrance flacon

Only hold the fragrance flacon as illustrated. Do not hold it at an angle or tip it, as the fragrance will leak out of it.

- Take the fragrance flacon out of its packaging.

Do not attempt to open the fragrance flacon.

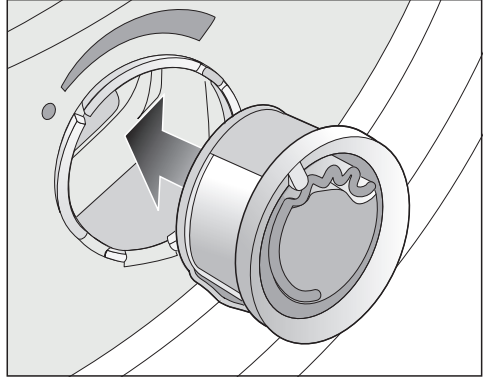


- Hold the fragrance flacon securely so that you do not open it by mistake.
- Pull off the protective seal.

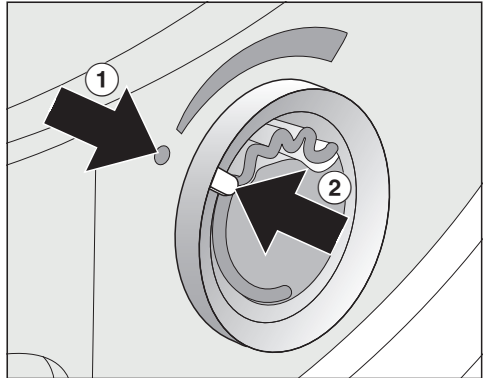
## Inserting the fragrance flacon

- Open the door of the tumble dryer.

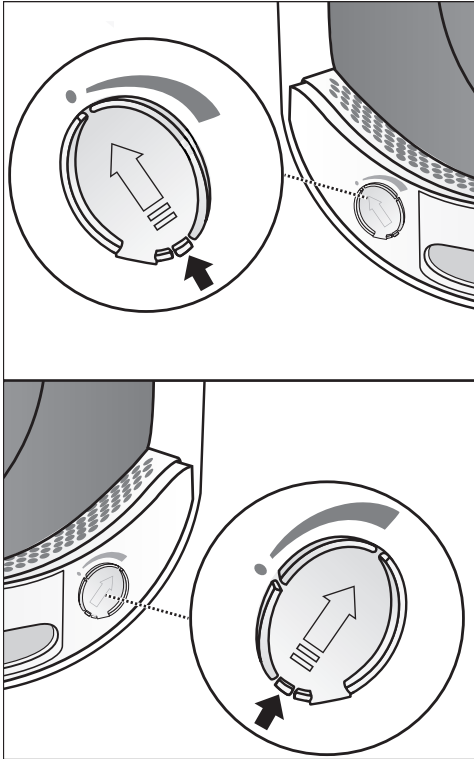
The fragrance flacon is inserted in the upper fluff filter. They can be fitted on the left and the right hand side next the opener.



- Insert the fragrance flacon into the socket as far as it will go.



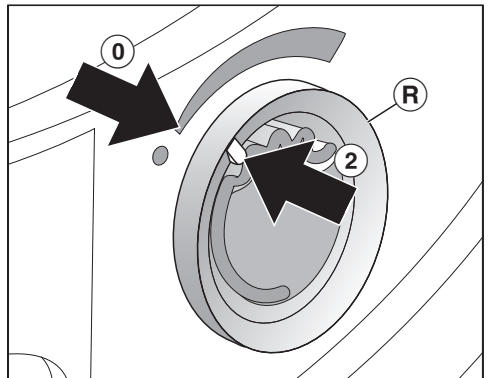
Markers ① and ② must line up with one another.



- Open the cover using the tab until the tab is right at the top as shown.

To prevent the accumulation of fluff, the cover of the unused socket must remain closed.

Push the tab of the cover to the bottom (see arrow), until you hear it click into position.



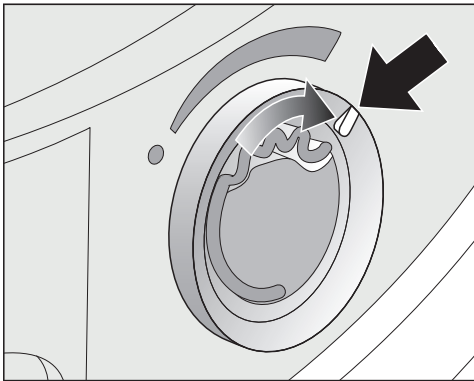
# Fragrance flacon

- Turn the outer ring **Ⓡ** clockwise a little.

The fragrance flacon can slip out. Turn the outer ring in such a way that markers **②** and **⓪** line up.

## Opening the fragrance flacon

Before drying, you can select the intensity of the fragrance.

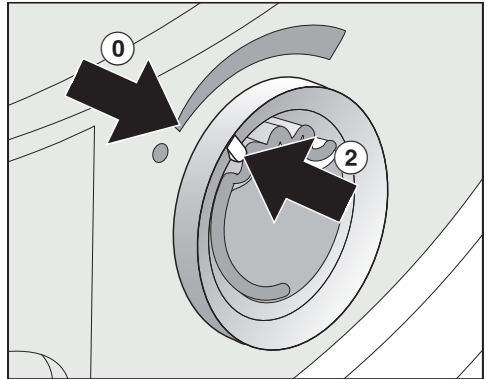


- Turn the outer ring clockwise: the further you open the fragrance flacon, the more intense the fragrance.

Damp laundry and longer drying durations with sufficient heat transfer are needed for the fragrance to be released into the laundry effectively. The fragrance will also be noticeable in the room air during the process.

## Closing the fragrance flacon

After drying, the fragrance flacon should be closed to prevent the fragrance from escaping needlessly.

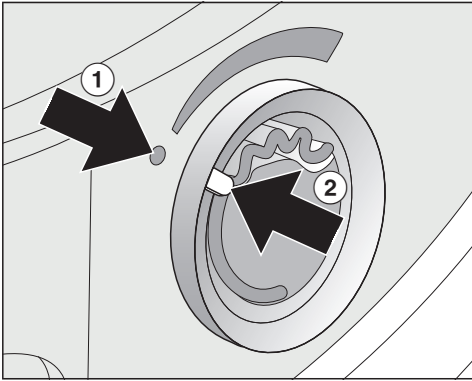


- Turn the outer ring counter-clockwise until marker **②** is in position **⓪**.

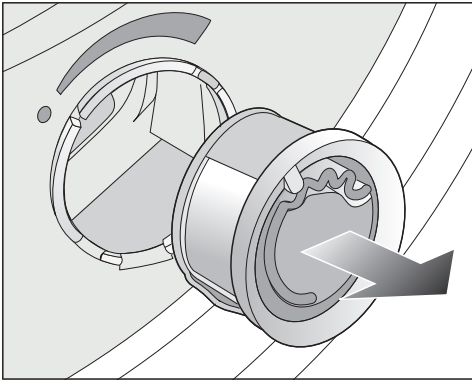
If you wish to dry without the fragrance occasionally: remove the fragrance flacon and store it in its original packaging.

Replace the fragrance flacon with a new one when the intensity of the fragrance is no longer sufficient.

## Removing/replacing the fragrance flacon



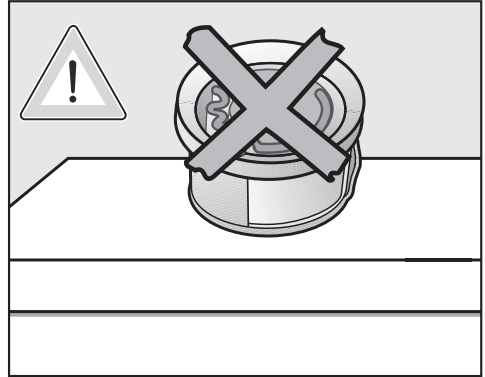
- Turn the outer ring counter-clockwise until markers ① and ② line up.



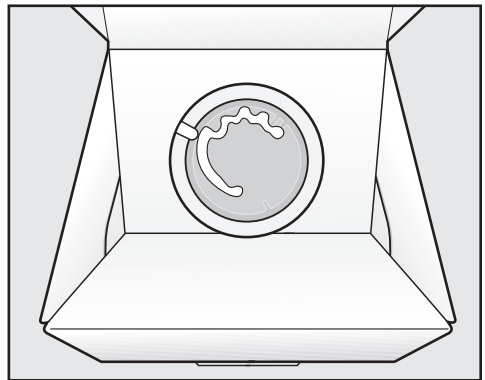
- Replace the fragrance flacon with a new one.

When not in use, you can store the fragrance flacon in its original packaging.

Fragrance flacons are available to order from Miele or online at [www.miele-shop.com](http://www.miele-shop.com).



Fragrance can leak.  
Do not lay the fragrance flacon down.




- If you are keeping the fragrance flacon in its original packaging, do not store the packaging upright on its edge or upside down. Otherwise, the fragrance will leak out.
- Always store in a cool, dry place away from direct sunlight.
- When purchasing new fragrance flacons, only remove the protective seal just before use.

# Cleaning and care

## Observing the cleaning intervals


This tumble dryer is equipped with a multi-stage filter system, which consists of a fluff filter and a plinth filter. This filter system collects all fluff generated during the drying process.

Failure to clean the filter regularly could increase drying times.

 Fire hazard due to irregular maintenance.

Too many fluff deposits in the filter system and tumble dryer will result in a risk of fire.

Check the filter system and air guide area on a regular basis. Clean the filter if you find any fluff deposits.

 Damage caused by a missing or damaged filter system.


Too many fluff deposits in the filter system and tumble dryer will result in a risk of appliance malfunctions and a risk of fire.

Never use the tumble dryer without the filter system. Always replace a damaged filter system immediately.

## Cleaning the fluff filters

This tumble dryer has 2 fluff filters in the door opening: the upper and lower fluff filters trap fluff produced during the drying process.

Clean the fluff filters after each drying programme. This prevents an extension of the programme duration.

Also clean the fluff filters when the  indicator light comes on.

To turn the  indicator light off:

- Open and close the door while the tumble dryer is switched on.

Environmental impact due to fluff which has been disposed of incorrectly.

To prevent microplastics from spreading into the waste water system, fluff must not be drained away with the water.

Dispose of the fluff collected by the fluff filters with your household waste.

## Removing the fragrance flacon

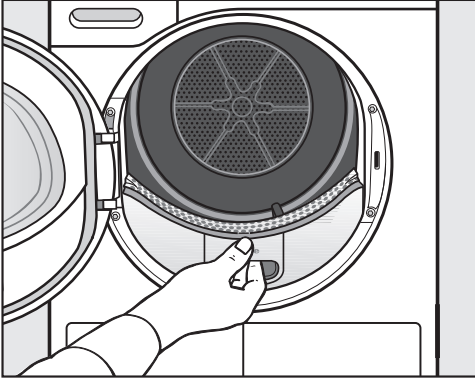
The intensity of the fragrance will be diminished if the fluff filters and the plinth filter are not cleaned.

- Remove the fragrance flacon. See “Fragrance flacon”, “Removing/replacing the fragrance flacon”.

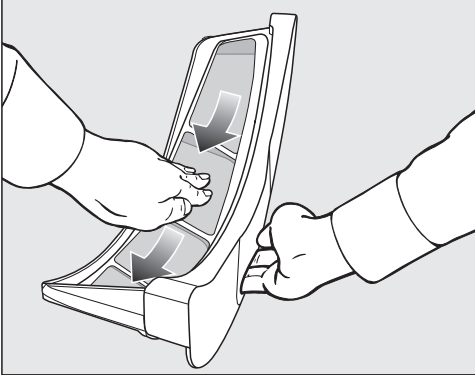
### Removing visible fluff

**Tip:** You can also use a vacuum cleaner so that you can remove the fluff without touching it.

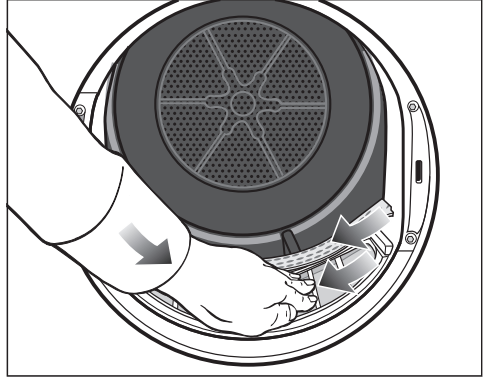
- Open the door.



- Pull the upper fluff filter forwards to remove it.



- Remove the fluff (see arrows).



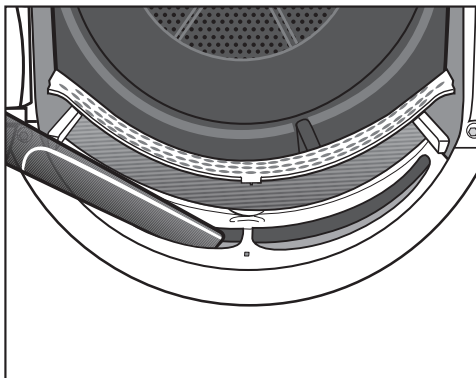
- Remove the fluff (see arrows) from the surface of all the fluff filters and the perforated laundry deflector.
- Push the upper fluff filter back into position until it clicks.
- Close the door.

## Cleaning and care

### Cleaning the fluff filters and air flow openings thoroughly

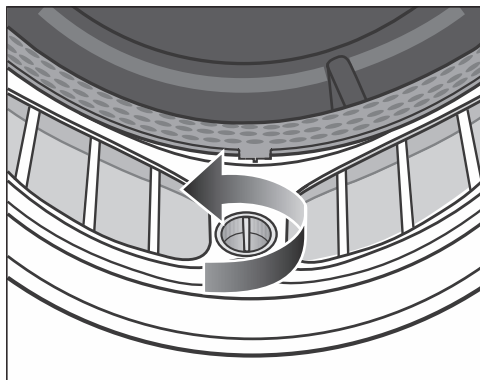
If the drying duration has become longer or the surface of the fluff filters is visibly compacted with fluff, you should carry out the following cleaning procedure.

- Remove the fragrance flacon. See “Fragrance flacon”.
- Pull the upper fluff filter forwards to remove it.

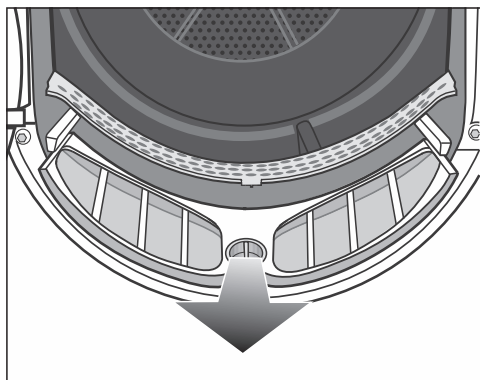


- Use a vacuum cleaner with a long crevice nozzle attached to remove any visible fluff from the upper air flow openings.

Finally, clean the fluff filters with water.



- Turn the yellow rotary control on the lower fluff filter in the direction of the arrow (until it reaches the stop position).



- Hold the rotary control and pull the fluff filter forwards to remove it.

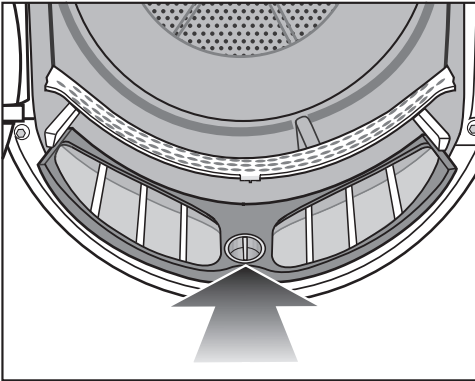


### Cleaning the fluff filters with water

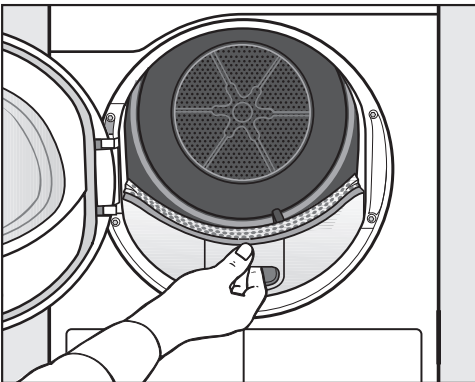
- Rinse the filter surfaces through under warm running water.
- Wipe the smooth plastic surfaces of both fluff filters with a damp cloth to clean them.

- Close the door.

Problems during drying due to wet fluff filters.  
The dryer may exhibit malfunctions.  
Shake the fluff filters thoroughly and then dry them carefully.



- Push the lower fluff filter in completely and lock it with the yellow rotary control.



- Push the upper fluff filter all the way in.


# Cleaning and care

## Cleaning the plinth filter

Environmental impact due to fluff which has been disposed of incorrectly.

To prevent microplastics from spreading into the waste water system, fluff must not be drained away with the water.


To collect the cleaning water, clean the plinth filter in a bowl or bucket.

Clean the plinth filter whenever the  indicator light comes on or when the programme duration is longer than usual.


To turn the  indicator light off:

- Open and close the door while the tumble dryer is switched on.

### Tip:

With normal use of the tumble dryer, clean the plinth filter when the  indicator light comes on.

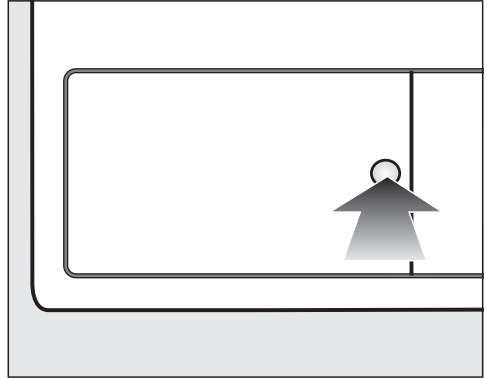
With continuous use of the tumble dryer, clean the plinth filter once a day.

 Damage caused by insufficient cleaning or by operation with a worn, damaged filter in the plinth.

There is insufficient flow of air and heat in the heat exchanger due to clogging. This requires a visit from the Service department.

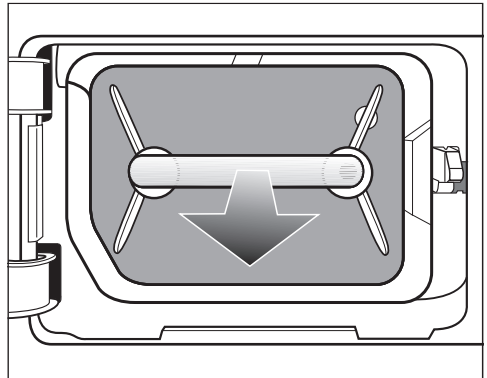
This can be avoided by following the advice in these operating instructions.

## Removing the plinth filter



- Press the round, indented area on the heat exchanger access panel to open it.

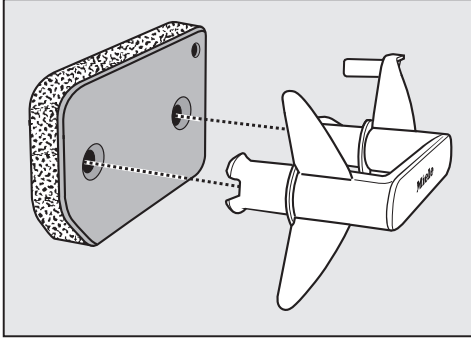
The panel will spring open.




- Pull the plinth filter out by the handle.

This causes the right-hand guide pin in the tumble dryer to come out. This guide pin ensures that the heat exchanger access panel can only be closed if the plinth filter is inserted the right way round.

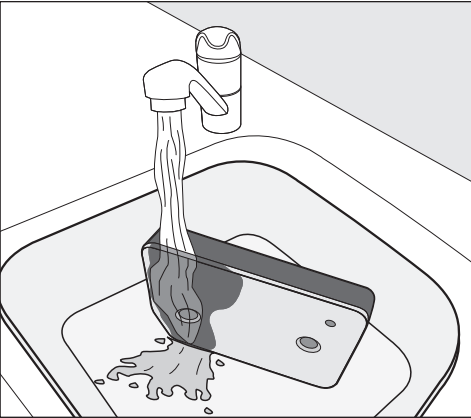
## Cleaning the plinth filter



- Pull the handle out of the plinth filter.

 To collect the cleaning water, place a bowl or bucket under the stopcock.

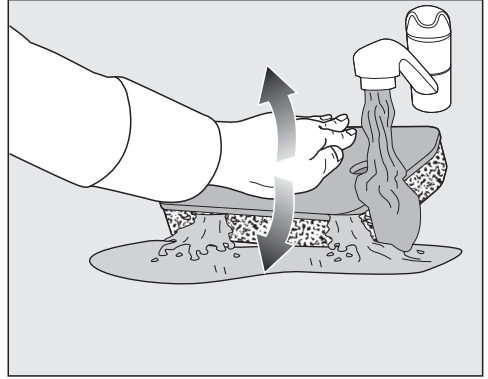
- Clean the plinth filter carefully and thoroughly under running water.



**Tip:** To speed up the removal of residue from the surface, run a water jet vertically over the front of the plinth filter.

- Squeeze the plinth filter very carefully several times as you rinse it.

**Tip:** Place the plinth filter so that it lies flat in the bowl or bucket.



- To efficiently loosen underlying residue, gently press down on the plinth filter with the back of your hand.
- Rinse the entire plinth filter thoroughly until all visible residue has been removed.
- Carefully squeeze the plinth filter with the back of your hand until all of the water has been removed.

**Tip:** To soak up water, place the damp plinth filter between 2 hand towels. On an even surface, gently press down on the plinth filter with the back of your hand. This will dry the plinth filter more quickly.

The plinth filter must not be fitted dripping wet. Otherwise, this could cause a fault. Carefully squeeze the water out of the plinth filter.

## Cleaning and care


If a drying programme is interrupted with a fault message after the clean plinth filter has been refitted, the plinth filter was too wet when it was refitted. Carefully squeeze the water out of the plinth filter again. Leave the plinth filter to air-dry.

If a fault occurs again despite this, it may be due to stubborn residue from washing substances. Reactivate the plinth filter in the washing machine. See “Problem solving guide – Reactivating the plinth filter”.

### Pouring out the cleaning water

- To catch any particles or fluff, pour the contents of the bowl or bucket through a filter (e.g. coffee filter).
- Dispose of the filter with your household waste.

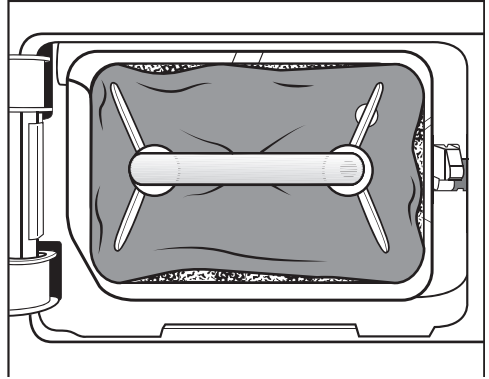
### Replacing the plinth filter

 Filter wear caused by continuous tumble dryer use.

Continuous operation and frequent cleaning can cause the plinth filter to wear out more quickly, which can clog the heat exchanger.

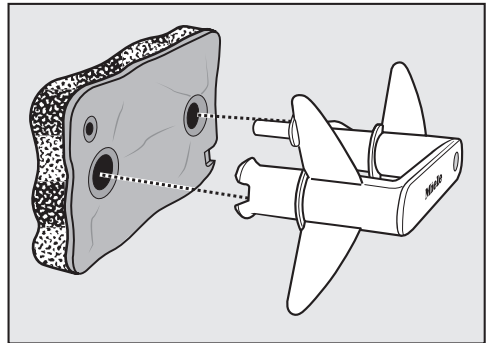
Replace the filter immediately if you see the following signs of wear (optional accessory).

### Poor fit



The edges of the filter do not sit properly and the filter is deformed. Fluff will blow into the heat exchanger unfiltered through edges that do not sit properly. This will cause a permanent obstruction in the heat exchanger.

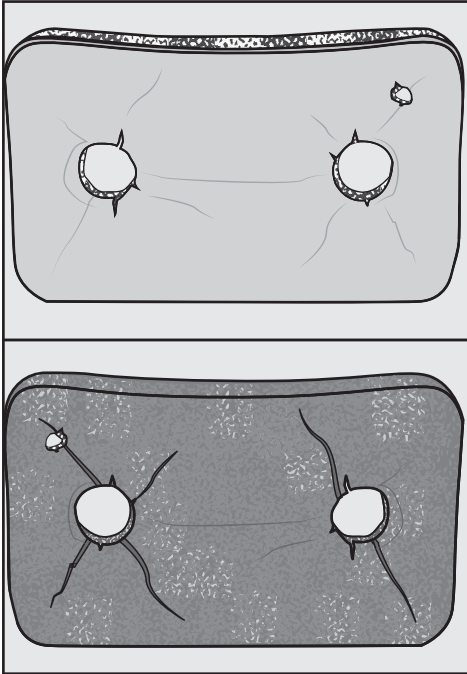
### Deformation



Deformations indicate that the filter has become blocked and worn by continuous use.

## Cleaning and care

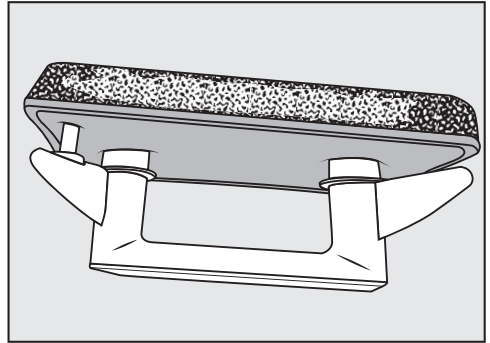
### Cracks, tears, indentations



Fluff will blow into the heat exchanger unfiltered through cracks and tears and will cause obstruction.

Indentations indicate that the filter has become blocked and worn by continuous use.

### White residues or residues of other colours



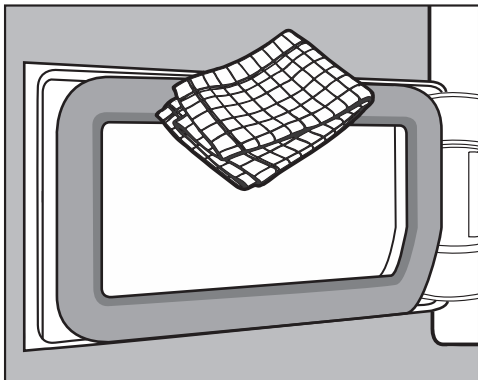
Residues arise from laundry fibres and traces of detergent components which can clog the filter. They can be found on the front and side edges of the filter. In extreme cases, they can form stubborn crust.

Residues are a sign that the filter is no longer a snug fit at the sides, even if it appears to be perfect: fluff is getting in unfiltered at the edges.

If these residues appear on the filters again soon after cleaning, the filter must be replaced.

## Cleaning and care

### Cleaning the plinth filter flap



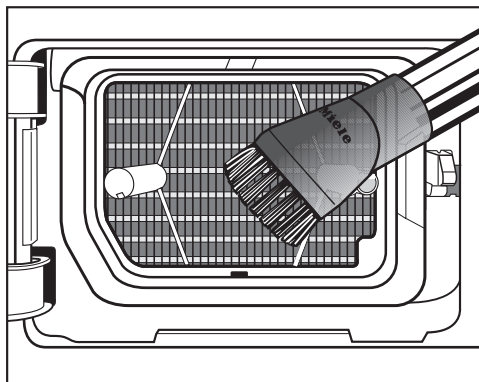
- Use a damp cleaning cloth to remove any fluff. Make sure you do not damage the rubber seal.
- Check whether the cooling fins are blocked with fluff (as follows).

### Checking the heat exchanger

⚠ Risk of injury from sharp cooling fins. You could cut yourself. Do not touch the cooling fins with your hands.

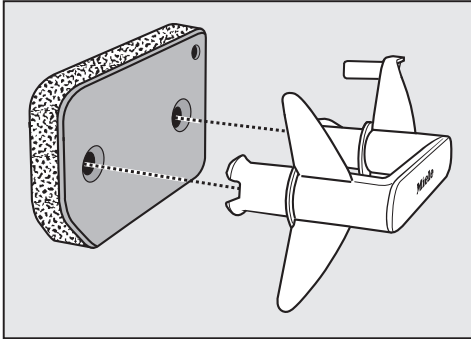
- Look to see if fluff has accumulated. If you notice any visible soiling:

⚠ Damage due to incorrect cleaning of the heat exchanger. The tumble dryer will not dry if the cooling fins are damaged or bent. Clean using a vacuum cleaner with a suction brush attached. Only pass the vacuum cleaner suction brush over the heat exchanger cooling fins lightly, without applying any pressure.



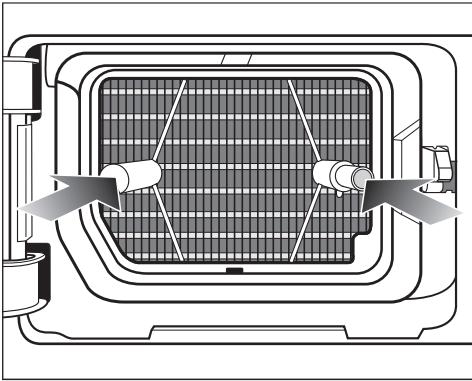
- Carefully vacuum up any visible fluff or soiling.

## Inserting the plinth filter



- Fit the plinth filter back on the handle. Make sure it is the correct way round.

To ensure that the plinth filter is positioned correctly in the front of the heat exchanger unit:



- First insert the handle with the plinth filter attached over the two guide pins:
  - The word Miele on the handle must be the correct way up.
- Push the plinth filter in completely.

This will push in the right-hand guide pin at the same time.

- Close the heat exchanger access panel.

**!** Damage or ineffective drying if drying takes place without a plinth filter or when the heat exchanger access panel is open.

An excessive accumulation of fluff can damage the tumble dryer in the long term. If the system is not leak-tight, this can make the drying ineffective.

You may only operate the tumble dryer with the plinth filter fitted correctly and the heat exchanger access panel closed.

## Reactivating the plinth filter

You can reactivate one or more soiled plinth filters in a washing machine. You will then be able to use the plinth filter again for a reasonable period of time.

- Wash the plinth filter(s) separately, not with any laundry items. Do not add any detergent.

**Tip:** Select a short wash programme with a maximum temperature of 40 °C and a maximum spin speed of 600 rpm.

- Select the *Separate rinse* programme, for example.

You can re-insert the plinth filter once the wash and spin cycles are complete. You can continue to use a reactivated plinth filter provided that it does not show any signs of wear.

You must stop using the plinth filter if it shows signs of wear or deformation.

Please see “Cleaning and care – Replacing the plinth filter” for details.

# Cleaning and care

## Cleaning the tumble dryer

Disconnect the tumble dryer from the electrical supply.

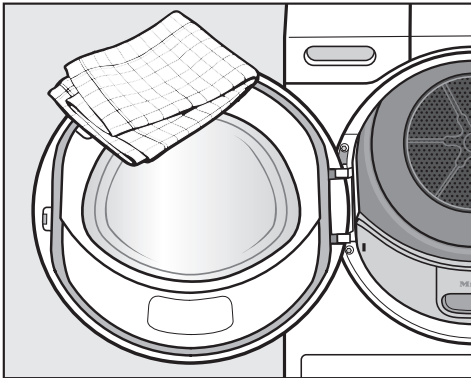
**⚠** Damage caused by the use of unsuitable care products.

Unsuitable care products could damage plastic surfaces and other parts. Do not use any solvents, abrasive cleaners, glass cleaners or all-purpose cleaners.

**⚠** Danger of electric shock caused by water.

There is a risk of electric shock if water runs over or into the tumble dryer. Never spray the tumble dryer with water. Only ever clean the appliance with a slightly damp, soft cloth.

Cleaning recommendation: clean once or twice a year and as required.



- Clean the tumble dryer and the seal on the inside of the door with a slightly damp soft cloth and a mild solution of washing-up liquid and soapy water.
- Dry all parts with a soft cloth.

- The drum and other stainless steel parts can be cleaned with a suitable stainless steel cleaner.






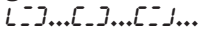


Many malfunctions and faults that can occur in daily operation can be easily remedied. You can save time and money in many cases, as you do not need to call the Miele Customer Service Department.


Information to help you rectify faults yourself can be found at [www.miele.com/service](http://www.miele.com/service).

The following tables are designed to help you to find the cause of a malfunction or a fault and to resolve it.

### Indicator lights or information on the time display

Problem	Cause and remedy
<b>The  indicator light comes on at the end of the programme.</b>	<p>The fluff filters are clogged with fluff.</p> <ul style="list-style-type: none"> <li>■ Clean the fluff filters.</li> <li>■ Clean the plinth filter.</li> <li>■ See “Cleaning and care”.</li> </ul> <p>To switch the  indicator light off:</p> <ul style="list-style-type: none"> <li>■ Open and close the door (with the tumble dryer switched on).</li> </ul> <p>You can influence when the  indicator light comes on: See “Programmable functions”, “P20 Airways indicator”.</p>
<b>The  indicator light comes on after a programme has been cancelled and a signal sounds.</b>	<p>The drain hose kinked.</p> <ul style="list-style-type: none"> <li>■ Check the drain hose.</li> </ul> <p>To switch the  indicator light off:</p> <ul style="list-style-type: none"> <li>■ Open and close the door (with the tumble dryer switched on).</li> </ul>
<b>-0- lights up</b>	<p>The programme selector has been moved.</p> <ul style="list-style-type: none"> <li>■ Select the original programme. The time left will appear in the display again.</li> </ul>
<b>Bars flash in the display at the end of a programme:</b> 	<p>The programme has finished but the laundry has not yet cooled down.</p> <ul style="list-style-type: none"> <li>■ Either remove the laundry and spread it out to cool down or leave it in the tumble dryer to cool down during the cooling phase.</li> </ul>
<b>--- flashes / lights up after the tumble dryer has been switched on and a programme cannot be selected.</b>	<p>Access via a PIN code has been activated.</p> <ul style="list-style-type: none"> <li>■ See “Programmable functions”, “P07 PIN code”.</li> </ul>

## Problem solving guide

Problem	Cause and remedy
<p><b>F and 055 flash after a programme has been cancelled. A buzzer sounds. The  indicator light comes on.</b></p>	<p>The fluff filters and plinth filter are clogged with fluff.</p> <ul style="list-style-type: none"> <li>■ Clean the fluff filters.</li> <li>■ Clean the plinth filter.</li> <li>■ Clean the airways. This is the area underneath the plinth filter and the heat exchanger.</li> <li>■ See “Cleaning and care”.</li> </ul> <p>To switch the <i>F 055</i> fault message off:</p> <ul style="list-style-type: none"> <li>■ Switch the tumble dryer off and then on again.</li> </ul>
<p><b>F and another number combination flash after a programme has been cancelled, a signal sounds.</b></p>	<p>There is no obvious cause.</p> <ul style="list-style-type: none"> <li>■ Switch the tumble dryer off and then on again.</li> <li>■ Start a programme.</li> </ul> <p>If the programme terminates again with the same error message, then there is a fault. Contact the Miele Customer Service Department.</p>
<p><b>0:00 lights up and the programme has been cancelled, a signal sounds.</b></p>	<p>The laundry is unevenly distributed or has rolled up.</p> <ul style="list-style-type: none"> <li>■ Disentangle the laundry and remove a few items if necessary.</li> <li>■ Switch the tumble dryer off and then on again.</li> <li>■ Start a programme.</li> </ul>
<p><b>noC lights up</b></p>	<p>This is not a fault. The tumble dryer is not connected to the network. See “Programmable functions”.</p>
<p><b>0FF lights up</b></p>	<p>This is not a fault. The remote control function is switched off. See “Programmable functions”.</p>
<p><b>C on lights up</b></p>	<p>This is not a fault. The tumble dryer is connected to the network.</p>
<p><b>C tr lights up</b></p>	<p>This is not a fault. The tumble dryer is connected to the network.</p>
<p><b>UP lit and programme start is not possible.</b></p>	<p>An update is available for the tumble dryer. See “Programmable functions – P24 RemoteUpdate” for more information.</p>

### Unsatisfactory drying results

Problem	Cause and remedy
<b>The laundry is not sufficiently dry.</b>	<p>The load consisted of different types of fabric.</p> <ul style="list-style-type: none"> <li>■ Finish drying using the <i>Warm air</i> programme.</li> <li>■ Select a more suitable programme next time.</li> </ul> <p>Useful tip: You can alter the drying levels for some programmes. See “Programmable functions”, sections “<i>P01</i> Drying levels Cottons” and “<i>P02</i> Drying levels Minimum iron”.</p>
<b>Laundry or feather filled pillows smell after drying.</b>	<p>The laundry was washed with insufficient detergent</p> <p>Feathers are a natural product and this is quite normal.</p> <ul style="list-style-type: none"> <li>■ Laundry: use sufficient detergent next time.</li> <li>■ Allow feather pillows to air after tumble drying.</li> </ul>
<b>Items made of synthetic fibres are charged with static electricity after drying.</b>	<p>Synthetic fibres tend to attract static charge.</p> <ul style="list-style-type: none"> <li>■ Static charge can be reduced by adding a fabric conditioner to the final rinse in the washing programme or a fabric conditioner sheet to the load when drying.</li> </ul>
<b>There is a build-up of fluff.</b>	<p>Fluff is principally the result of friction when garments are being worn and to some extent when they are being washed. Machine drying hardly causes any fluff to form and has no appreciable effect on the lifetime of the fabric.</p> <p>Fluff is collected by the fluff filters and fine filter and can be easily removed</p> <ul style="list-style-type: none"> <li>■ (see “Cleaning and care”).</li> </ul>

## Problem solving guide

### The drying cycle duration is very long

Problem	Cause and remedy
<b>The drying process goes on too long or even switches off.*</b>	The room where the tumble dryer is located is too warm. ■ Ventilate the room thoroughly.
	Detergent residues, hair and fine fluff can clog the filters. ■ Clean the fluff filters and the plinth filter (see “Cleaning and care”, sections “Cleaning the fluff filters” and “Cleaning the plinth filter”). ■ Remove any visible fluff from the heat exchanger (see “Cleaning and care”, “Cleaning the plinth filter”).
	The laundry is unevenly distributed or has rolled up. The drum is too full. ■ Disentangle the laundry and remove a few items. ■ Start a programme.
	The bottom right grille is blocked. ■ Move any objects, such as a laundry basket, away from the dryer.
	The fluff filters and the plinth filter were wet when replaced. ■ The fluff filters and the plinth filter must be dry.
	The laundry is too damp. ■ Spin using a higher spin speed in the washing machine.
	Metallic components, e.g. zips, have prevented the tumble dryer from registering the correct laundry moisture level. ■ Open any zips next time. ■ If the problem recurs, dry these items using the <i>Warm air</i> timed drying programme.

\* Switch the tumble dryer off; wait a short while before starting a new programme.

## Other problems

Problem	Cause and remedy
<b>There are humming noises.</b>	The compressor is operating. These noises are quite normal and do not indicate a fault.
<b>A programme does not start.</b>	There is no obvious cause. <ul style="list-style-type: none"> <li>■ Connect the tumble dryer to the mains.</li> <li>■ Turn on the tumble dryer.</li> <li>■ Close the tumble dryer door.</li> <li>■ Check whether the mains fuse has tripped.</li> </ul>
<b>Only the <i>Start/Add laundry</i> sensor control is flashing slowly.</b>	10 minutes after the end of the programme, the <i>Start/Add laundry</i> sensor control will begin to flash and the indicators will go out to save energy. This is not a fault, but a normal function. The drum will turn at intervals when the tumble dryer is in the Anti-crease phase. <ul style="list-style-type: none"> <li>■ Touch a sensor control to switch on the indicators.</li> </ul> See “Programmable functions”, “// Control field switch-off behaviour”.
<b>The tumble dryer is switched off at the end of the programme.</b>	This tumble dryer switches off automatically to save energy. This is not a fault, but a normal function. <ul style="list-style-type: none"> <li>■ To switch the tumble dryer on, select a programme.</li> </ul>
<b>The drum lighting does not come on.</b>	To save energy, the drum lighting goes out automatically after a set time and after the programme starts. <ul style="list-style-type: none"> <li>■ Switch the tumble dryer off and then on again.</li> <li>■ To switch the drum lighting on, open the door of the tumble dryer.</li> </ul>
	The drum lighting is faulty. The drum lighting is designed to last a long time and should not normally need to be replaced. <ul style="list-style-type: none"> <li>■ If you have tried everything but the drum lighting still does not come on, contact the Miele Customer Service Department.</li> </ul>

# Service

---

## Contact in the event of a fault

In the event of any faults which you cannot remedy yourself, please contact your Miele dealer or the Miele Customer Service Department.

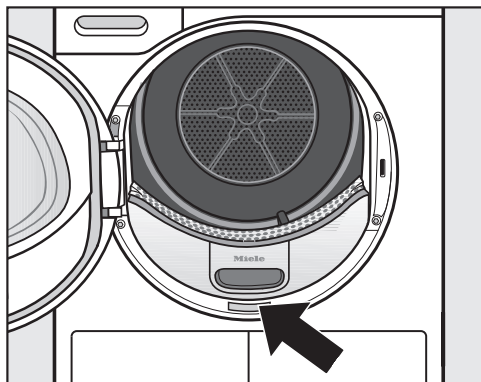
You can book a Miele Customer Service Department call-out online at [www.miele.com/service](http://www.miele.com/service).

Contact information for the Miele Customer Service Department can be found at the end of this document.

Please quote the model identifier and serial number of your appliance (Fabr./SN/Nr.) when contacting the Miele Customer Service Department. This information can be found on the data plate.

Please note that telephone calls may be monitored and recorded for training purposes and that a call-out charge will be applied to service visits where the problem could have been resolved as described in this booklet.

Open the door of your tumble dryer to find the data plate:



## Optional accessories

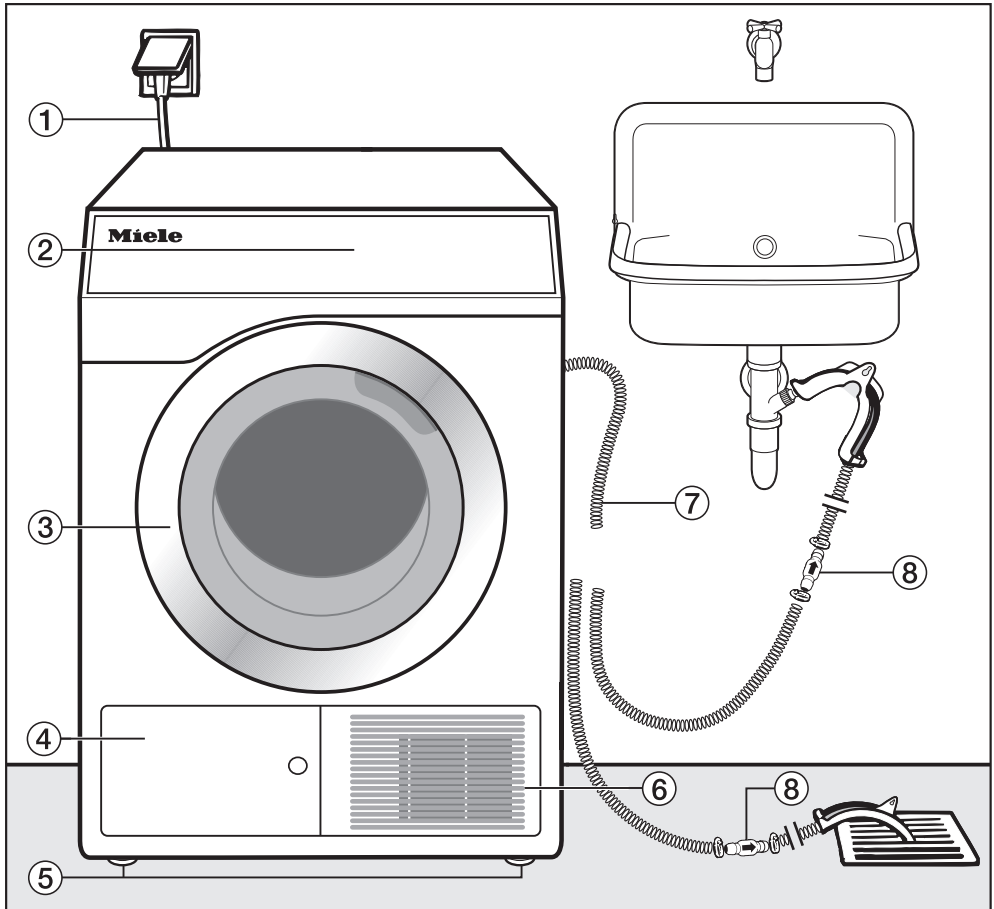
Optional accessories for this tumble dryer are available from your Miele Dealer or from the Miele Spare Parts Department.

## Maintenance

Preventive maintenance supports fault-free operation and prevents unnecessary repairs.

Miele recommends regular maintenance by Miele Customer Service.

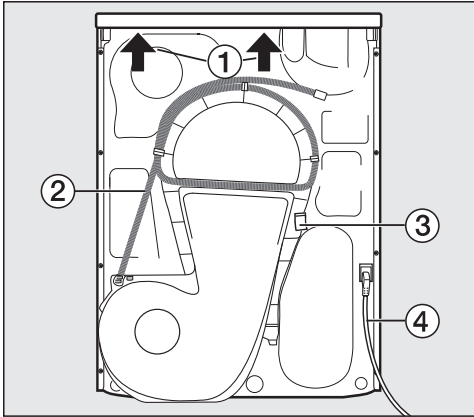
## Front view



- ① Mains connection cable
- ② Control panel
- ③ Door
- ④ Fluff filter flap for the filter in the plinth
  - Do not open during drying
- ⑤ 4 height-adjustable screw feet
- ⑥ Intake for air cooling
  - Do not obstruct with a laundry basket or other objects
- ⑦ Drain hose for condensation
- ⑧ Non-return valve, required

# Installation

## Rear view

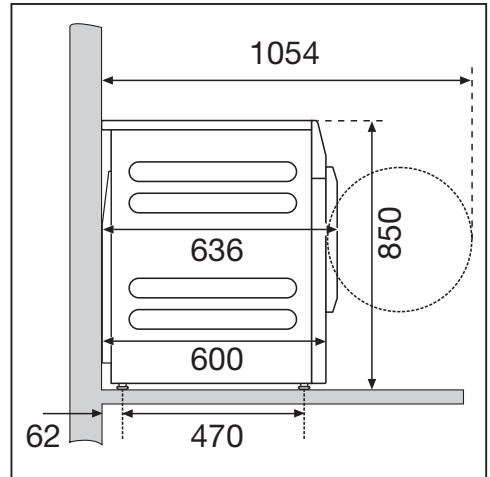


- ① Protruding lid for holding when moving the tumble dryer (see arrows)
- ② Drain hose for condensation
- ③ Hook for winding the mains connection cable around during transport
- ④ Mains connection cable

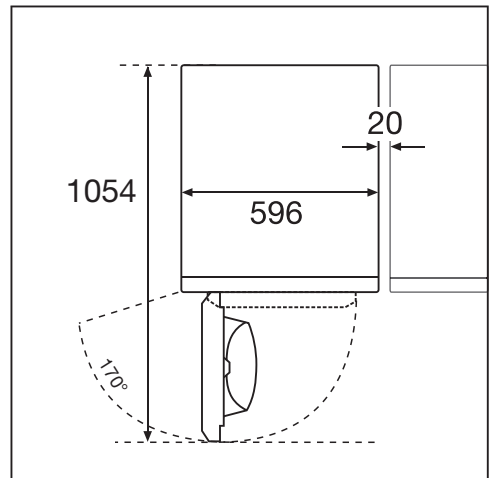
## Locations

All measurements in mm

## Side view

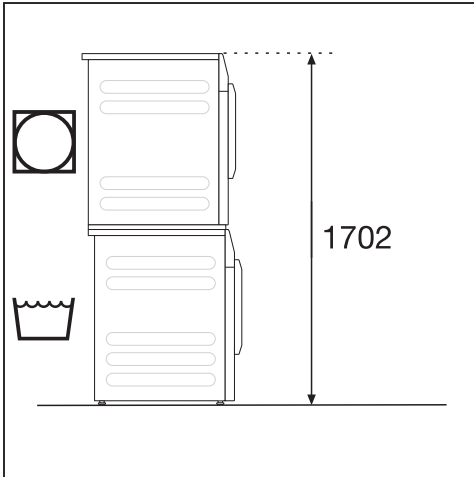


## View from above





## Washer-dryer stack




A stacking kit\* is required. This must be fitted by a Miele authorised technician. Secure the washing machine using the fastening bracket supplied with the machine.

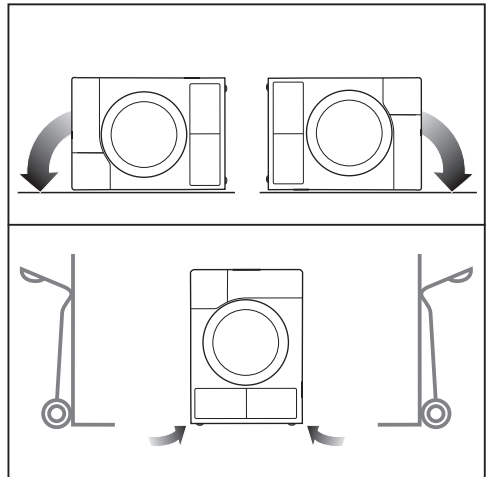
The distance between the appliance and the wall is a recommendation to help make it easier to carry out service work.

\* Miele accessory available to order

## Transporting the tumble dryer to its installation site

 Damage caused by incorrect transportation of the tumble dryer. If the tumble dryer tips over, there is a danger of injury to people and damage to property. Ensure that the tumble dryer is stable during transportation.


## Transporting the tumble dryer



- If the tumble dryer is being transported on its side, it must be tipped onto its left or right side.
- If the tumble dryer is being transported upright, always transport it on a sack truck with its left or right side resting on the truck.

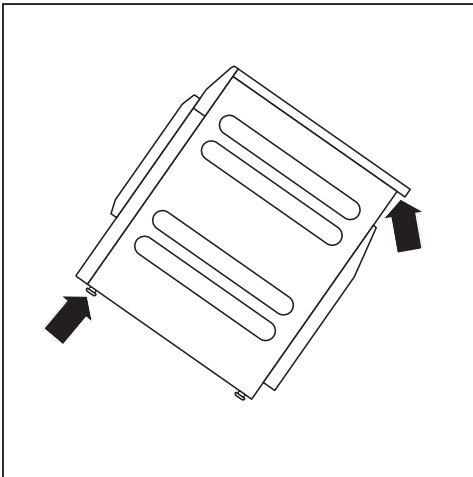
# Installation

## Transporting the tumble dryer to its installation site

 Danger of injury due to unsecure lid.

The fixings at the back of the lid could break as a result of external forces. There is a danger of the lid being pulled off when carrying the machine.

Before carrying the machine, check that the lid is secure where it protrudes at the back of the machine.




- Carry the tumble dryer by the front feet and by the lid where it protrudes at the back of the appliance.

## Installation

Ensure that no closeable door, sliding door, or an oppositely hinged door is installed that would hinder the door of the tumble dryer being opened in any way.



 Risk of fire and explosion due to damage to the tumble dryer.

The refrigerant is flammable and explosive.

Do not make any alterations to the tumble dryer. Take measures to protect the tumble dryer against damage.

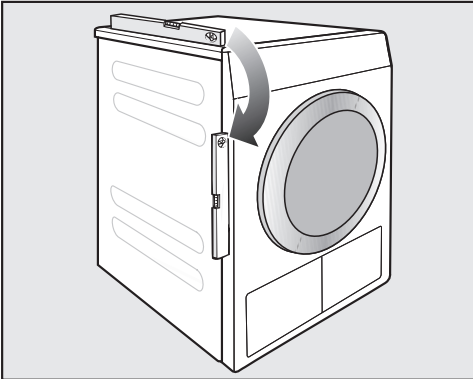
If the tumble dryer is damaged, proceed as follows:

- Avoid naked flames or anything which creates a spark.
- Disconnect the tumble dryer from the electrical supply.
- Air the room where the tumble dryer is located.
- Contact the Miele Customer Service Department.

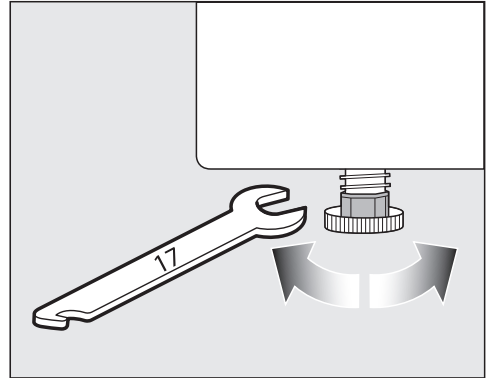
## Downtime after installation

⚠ Damage caused by switching the appliance on too soon. This can damage the heat pump. After setting up the tumble dryer, wait for at least one hour before switching it on.

## Levelling the tumble dryer



To ensure proper operation, the tumble dryer must stand perfectly level. The screw feet on the tumble dryer can be adjusted to compensate for unevenness in the floor.



- Turn the screw feet by hand or with a flat open spanner.

This tumble dryer is not suitable for building under.

Never block the ventilation slots on the tumble dryer. Do not block the gap between the bottom of the tumble dryer and the floor with plinth facings, deep pile carpet etc. This would hinder a sufficient flow of air to the tumble dryer.

# Installation

---

## Room ventilation

- Air drawn in for use in the drying process will be warm when it is expelled back into the room. It is therefore very important to ensure the room is adequately ventilated, particularly if the dryer is located in a small room. An openable window is not classed as adequate ventilation.
- Make sure the room temperature is not too high. If there are other heat producing appliances in the room in which the dryer is located, make sure the room is well ventilated and switch the other appliances off, if possible.

Otherwise running times and energy consumption could be increased.

The heat pump that is essential to the operation of this tumble dryer generates a great deal of heat inside its casing. There must be a reliable means of dissipating this heat.

Otherwise loads could take longer to dry or the tumble dryer might sustain damage in the long term.

Permanent room ventilation during every drying programme and the gap between the bottom of the tumble dryer and the floor are mandatory requirements at all times.

## Hose for external drainage of condensed water

The condensed water is pumped away through the drain hose which is located at the back of the dryer.

### Laying the drain hose

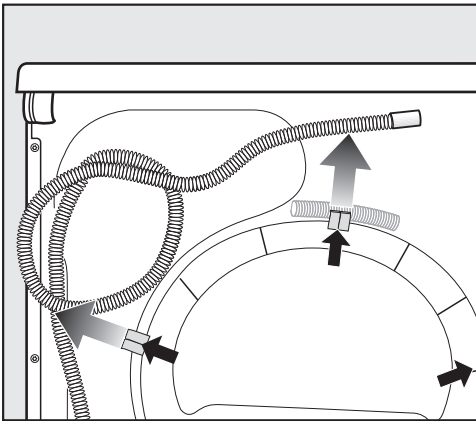
**⚠** Damage to the drain hose due to incorrect handling.

The drain hose can suffer damage and leak.

Do not pull on the drain hose and do not stretch it or allow it to become kinked.

**Tip:** Use the bow-shaped guide to prevent the drain hose from becoming kinked.

Drain hose length: 1400 mm  
Delivery head: 1000 mm



- Pull the drain hose out of the clips.

### Drainage options

**Tip:** Follow the warnings regarding leaking or returning water if you select one of the following connection options.

- Directed into a floor gully
- Connected directly to a sink drain outlet
- Connection to a drainage system already in use by another appliance, e.g. a dishwasher or washing machine

**⚠** Water damage.

Should the end of the hose come loose, overflowing water can cause damage.

Secure the drain hose carefully (e.g. by tying it) to make sure it cannot slip.

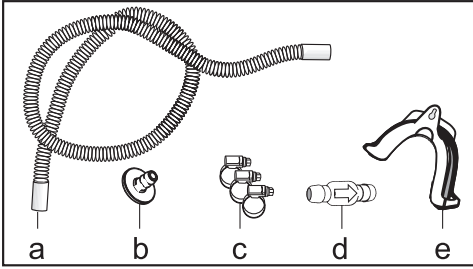
**⚠** Damage caused by condensation back-flow.

Water could flow back into the tumble dryer or be drawn into it. The tumble dryer will sustain damage and water will leak out.

The non-return valve should be used if the end of the hose is immersed in water, or if other water connections are installed.

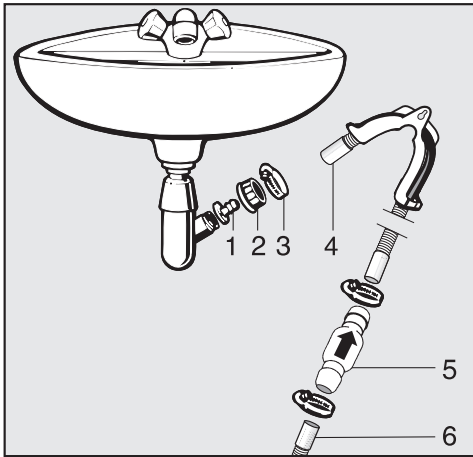
# Installation

## Drainage accessories, included



- a. Hose extension
- b. Adapter
- c. Hose clip
- d. Non-return valve
- e. Hose holder

## Example: Connected directly to a sink drain outlet



- 1. Adapter
- 2. Nut
- 3. Hose clip
- 4. Hose extension
- 5. Non-return valve and hose clips
- 6. Tumble dryer drain hose

- Install adapter **1** to the sink drain outlet using nut **2**. The nut is usually fitted with a washer which must be removed.
- Attach the end of the hose **4** to adapter **1**.
- Use a screwdriver to tighten hose clip **3** up close to the nut.
- Insert the non-return valve **5** into the tumble dryer's drain hose **6**.

Install the non-return valve **5** so that the arrow points in the direction of flow (towards the sink).


- Secure the non-return valve using hose clips.

## Electrical connection

This description applies to tumble dryers both with and without a mains plug.


The following applies to tumble dryers with a mains plug:

- This tumble dryer is supplied with a mains cable and plug ready for connection.
- The electrical socket must be easily accessible so that the tumble dryer can be disconnected from the electricity supply.

 Damage caused by incorrect supply voltage.

The data plate indicates the nominal power consumption and the appropriate fuse rating.

Compare the specifications on the data plate with those of the mains electricity supply and make sure that they match.

The electrical system must comply with local and national safety regulations (BS 7671 in the UK). We recommend the use of a suitable RCD .


The tumble dryer may only be connected to a permanent electrical system that conforms to the national and local codes and regulations.

The tumble dryer should never be connected by an extension cable, e.g. power strips, to avoid the risk of fire.

If the machine is hard wired, a dual circuit breaker must be provided on-site. When switched off there must be an all-pole contact gap of at least 3 mm in the isolator switch (including miniature circuit breaker, switch, fuses and relays ac-

ording to IEC/EN 60947). This connection process must be performed by a qualified electrician.

The plug connector or isolator switch should be easily accessible at all times.

 Risk of electric shock from mains voltage.

If the tumble dryer is disconnected from the mains, protective measures must be taken to ensure that the point of disconnection cannot accidentally be switched on again.

Make sure the isolator is lockable or the point of disconnection is monitored at all times.

New connections, modifications to the system, or servicing of the earthing conductor, including determining the correct fuse amperage, must be carried out by a qualified electrician, as they are familiar with the pertinent regulations and the specific requirements of the electric utility company.

The tumble dryer must not be connected to devices such as timers which would switch it off automatically.

### Single phase AC 230 V – country variant 230V 25A

This device is intended for connection to a power supply system where the maximum value of external phase neutral loop impedance  $Z_{max}$  of 0.38 Ohms at the point of distributor supply connection is not exceeded.

The user has to ensure that this device is connected only to a power supply system which fulfils the requirement above. If in doubt, please ask your electrical distributor for actual impedance value.

## Technical data

---

Height	850 mm
Width	596 mm
Width (only for appliances with a stainless steel lid)	605 mm
Depth	636 mm
Depth with door open	1054 mm
Weight	62 kg
Drum volume	120 l
Load size	8 kg (weight of dry laundry)
Hose length	1400 mm
Length of mains connection cable	2000 mm
Supply voltage	See data plate on back of appliance
Rated load	See data plate on back of appliance
Fuse rating	See data plate on back of appliance
Test certifications awarded	See data plate on back of appliance
LEDs	Class 1
Designation of refrigerant	See data plate on back of appliance
Refrigerant quantity	See data plate on back of appliance
Max. floor load in operating status	925 N
Product safety standard	EN 50570, EN 60335
A-rated emission sound pressure level $L_{pA}$ in accordance with EN ISO 11204/11203	< 70 dB re 20 $\mu$ Pa
Frequency band	2.4000 GHz – 2.4835 GHz
Maximum transmission power	< 100 mW



## Data sheet for household tumble driers

In acc. with delegated regulation (EU) No. 392/2012

<b>MIELE</b>	
<b>Model name/identifier</b>	PDR 1108 SmartBiz HP [EL]
Rated capacity <sup>1</sup>	8,0 kg
Type of tumble drier (Air-vented / condenser)	- / •
Energy efficiency class	
A+++ (most efficient) to D (least efficient)	A+++
Weighted annual energy consumption (AE <sub>c</sub> ) <sup>2</sup>	161 kWh/year
Tumble drier (Automatic / non-automatic)	• / -
Energy consumption of the standard cotton programme	
Energy consumption at full load	1,32 kWh
Energy consumption at partial load	0,75 kWh
Weighted power consumption in off-mode (P <sub>o</sub> )	0,30 W
Weighted power consumption in the left-on mode (P <sub>l</sub> )	0,30 W
Duration of the 'left-on' mode (T <sub>l</sub> ) <sup>3</sup>	15 min
Standard programme to which the information in the label and the fiche relates <sup>4</sup>	Cottons with arrow
Programme time of the 'standard cotton programme'	
Weighted programme time	128 min
Programme time at full load	165 min
Programme time at partial load	100 min
Condensation efficiency class <sup>5</sup>	
A (most efficient) to G (least efficient)	A
Weighted condensation efficiency for the 'standard cotton programme' at full and partial load	94 %
Average condensation efficiency of the 'standard cotton programme' at full load	95 %
Average condensation efficiency of the 'standard cotton programme' at partial load	94 %
Sound power level (L <sub>WA</sub> ) <sup>6</sup>	67 dB(A) re 1 pW
Built-in	-

• Yes, standard feature

<sup>1</sup> In kg of cotton laundry for the standard cotton programme at full load.

<sup>2</sup> based on 160 drying cycles of the standard cotton programme at full and partial load, and the consumption of the low-power modes. Actual energy consumption per cycle will depend on how the appliance is used.

<sup>3</sup> If the household tumble drier is equipped with a power management system.

<sup>4</sup> This programme is suitable for drying normal wet cotton laundry and is the most efficient programme in terms of energy consumption for cotton.

# Technical data

---

<sup>5</sup> If the household tumble drier is a condenser tumble drier.

<sup>6</sup> For the standard cotton programme at full load.

## EU Conformity declaration

Miele hereby declares that this heat-pump tumble dryer complies with Directive 2014/53/EU.

The complete text of the EU declaration of conformity is available from one of the following internet addresses:

- Products, Download from [www.miele.ie](http://www.miele.ie)
- For service, information, operating instructions etc: go to <https://miele.co.uk/manuals> and enter the name of the product or the serial number

## UK Conformity declaration

Miele hereby declares that this heat-pump tumble dryer complies with UK Radio Equipment Regulations 2017, as amended.

The complete text of the UK declaration of conformity is available from one of the following internet addresses:

- Products, Download from [www.miele.co.uk](http://www.miele.co.uk)
- For service, information, operating instructions etc: go to <https://miele.co.uk/manuals> and enter the name of the product or the serial number

This **Statement of Compliance** confirms this Miele product fully complies with the **Product Security and Telecommunications Infrastructure (Security Requirements for Relevant Connectable Products) Regulations 2023**.

- 1) Household Appliance – *Professional Tumble Dryer GT10, GT11, GT14, GT15*
- 2) Manufactured by: Miele & Cie KG,  
Carl Miele Street 29, 33332 Gutersloh Germany  
Imported by and contact point: Miele Company Ltd, Fairacres, Marcham Road,  
Abingdon, Oxon, OX14 ITW Great Britain
- 3) The defined support period at the time of first supply is 10 years
- 4) To report vulnerabilities and cybersecurity issues please contact: [psirt@miele.com](mailto:psirt@miele.com)

5) Signature 

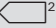
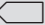
Name: **Paul Wright**

Company Position: **Head of Technical Management**

Date of signature: **19th March 2024**

Place of signature: **Abingdon, Oxfordshire**

## Consumption data

	Load size <sup>1</sup>	Final spin speed in washing machine	Residual moisture	Energy	Programme running time
	kg	rpm	%	kWh	min
Cottons  <sup>2</sup>	8.0	1000	60	1.32	165
	4.0	1000	60	0.75	100
Cottons, Cupboard Dry	8.0	1200	53	1.20	149
	8.0	1400	50	1.15	142
	8.0	1600	44	1.00	126
Cottons, Hand iron	8.0	1000	60	0.99	125
	8.0	1200	53	0.85	109
	8.0	1400	50	0.80	102
	8.0	1600	44	0.70	87
Minimum iron, Cupboard Dry	4.0	1200	40	0.45	66
Woollens handcare	2.0	1000	50	0.02	5
Express, Cupboard Dry	4.0	1000	60	0.75	100
<sup>1</sup> Weight of dry laundry					
<sup>2</sup> The Cottons  programme is the test programme in accordance with Regulation 392/2012/EU for energy labelling, measured in accordance with EN 61121.					
All data was calculated using EN 61121 unless otherwise stated					

**Consumption data can vary from the nominal values given above depending on the size of the load, types of textiles, residual moisture levels after spinning and fluctuations in the electricity supply, or when water hardness levels and extra options differ from specified values.**

# Programmable functions

---

## Programming

You can use the programmable functions to alter the dryer's electronics to suit your requirements.

Programming is carried out by following these steps (1, 2, 3 ... 9) using the sensor controls.

### Accessing the programming level

#### Prerequisite

- The programme selector is turned to a drying programme.
- The door of the tumble dryer is open.
- 1 Touch the *Start/Add laundry* sensor control and hold it down whilst carrying out steps 2–3.
- 2 Close the tumble dryer door.
- 3 Wait until the *Start/Add laundry* sensor control, which will now be flashing quickly, lights up constantly.
- 4 Then release the *Start/Add laundry* sensor control.

*PO* I will light up on the time display.

# Programmable functions

## Choosing and selecting a programmable function

The number of the programmable function will appear in the time display as *P* and a number:  
e.g. *P01*.

- 5 Touch the  $>$  or  $<$  sensor control to scroll to the next or previous programmable function:

Programmable functions	
<i>P00</i>	Factory default
<i>P01</i>	Cottons drying levels
<i>P02</i>	Minimum iron drying levels
<i>P04</i>	Cooling down temperature
<i>P05</i>	Buzzer volume
<i>P06</i>	Keypad tone
<i>P07</i>	PIN code
<i>P08</i>	Conductivity
<i>P11</i>	Control field switch-off behaviour
<i>P13</i>	Memory
<i>P14</i>	Anti-crease
<i>P19</i>	Buzzer active
<i>P20</i>	Airways indicator
<i>P22</i>	Backlight brightness dimmed
<i>P24</i> *	RemoteUpdate
<i>P25</i>	Duration of programme end buzzer
<i>P26</i>	Welcome tone
<i>P31</i> *	Remote control
<i>P32</i> *	SmartGrid
<i>P90</i>	Operating hours

\* only visible after networking

- 6 Confirm the selected programmable function by touching the *Start/Add laundry* sensor control.

# Programmable functions

## Editing and saving a programmable function

You can either switch a programmable function on/off or select different options.

The programmable function option will appear in the time display as - and a number:  
e.g. -00.

- 7 Touch the > or < sensor control to switch the programmable function on/off or to select an option:


Programmable functions	Options							
	-00	-01	-02	-03	-04	-05	-06	-07
	P00	X	X					
P01		X	X	X	✓	X	X	X
P02		X	X	X	✓	X	X	X
P04		X	X	X	X	up to -16✓		
P05		X	✓					
P06	X	✓	X					
P07	✓	X						
P08		✓	X					
P11	X	✓						
P13	✓	X						
P14	X	X	✓					
P19	✓	X						
P20	X	X	✓	X				
P22		X	✓	X	X	X	X	X
P24	X	✓						
P25		✓	X					
P26	✓	X	X					
P31	X	✓						
P32	✓	X						

X = can be selected, ✓ = factory default

- 8 Confirm the chosen selection with the *Start/Add laundry* sensor control.

The number of the programmable function (e.g. P01) will then light up again.

## Exiting programming level

- 9 Turn the programme selector to the  position.

The settings you have selected are now stored in the memory. You can alter the settings again at any time.

## P00 Factory default

The programmable functions are reset to the factory default settings.

- 00 = back (without resetting)
- 01 = reset programmable functions to the factory default settings

## P01 Cottons drying levels

You can adjust the drying levels for the *Cottons* programme to one of 7 different levels.

### Options

- 01 = Even damper
- 02 = Damper
- 03 = A little damper
- 04 = **Factory default**
- 05 = A little drier
- 06 = Drier
- 07 = Even drier

## P02 Minimum iron drying levels

You can adjust the drying levels for the *Minimum iron* programme to one of 7 different levels.

### Options

- 01 = Even damper
- 02 = Damper
- 03 = A little damper
- 04 = **Factory default**
- 05 = A little drier
- 06 = Drier
- 07 = Even drier

# Programmable functions

---

## P04 Cooling down temperature

The laundry will be cooled to 55 °C before the end of the programme. It can be cooled to a lower temperature, but this will prolong the cooling phase.

The value is set in increments of 1 °C.

- 16 = **55 °C (factory default)**
- 15 = 54 °C
- 14 = 53 °C
- 13 = 52 °C
- 12 = 51 °C
- 11 = 50 °C
- 10 = 49 °C
- 09 = 48 °C
- 08 = 47 °C
- 07 = 46 °C
- 06 = 45 °C
- 05 = 44 °C
- 04 = 43 °C
- 03 = 42 °C
- 02 = 41 °C
- 01 = 40 °C

## P05 Buzzer volume

The buzzer volume can be changed.

- 01 = on, quieter
- 02 = **on (factory default)**

## P06 Keypad tone

The buzzer that sounds when a sensor control is pressed can be changed or switched off.

### Options

- 00 = off
- 01 = **on (factory default)**
- 02 = on, louder



## P07 PIN code

The PIN code prevents your tumble dryer being used without your knowledge.

When the PIN code has been activated, you have to enter the PIN code after switching the tumble dryer on. Otherwise, it cannot be operated.

### Options

- 00 = **off (factory default)**
- 01 = on

If the -01 option has been selected, after switching on you will have to enter the PIN code before you can operate the tumble dryer.

### **Entering the PIN code to use the tumble dryer**

After the tumble dryer is switched on, --- will flash on the time display.

The PIN code is 250; it cannot be altered.

- Touch the > sensor control until a 2\_\_ flashes in the first position.
- Confirm with the *Start/Add laundry* sensor control.
- Enter the two other numbers in the same way.

The tumble dryer is ready for use after 250 has been entered and confirmed.

## P08 Conductivity

This programmable function must only be set if the residual moisture reading in your laundry is incorrect due to extremely soft water.

### Options

- 01 = **normal (factory default)**
- 02 = low

### Condition

This programmable function should only be set if the water used for washing the laundry is extremely soft with a conductivity reading (electrical conductivity) of less than 150  $\mu\text{S}/\text{cm}$ . Contact your local water authority for the conductivity level of your drinking water.

Make sure that you only activate -02 for the condition described above. Otherwise, the drying result can be unsatisfactory.

# Programmable functions

---

## P11 Control field switch-off behaviour

To save energy, the time display and sensor controls will go out once the programme has been running for 10 minutes. In this case, the *Start/Add laundry* sensor control flashes slowly.

However, there is no switch-off in the event of a fault.

### Options

-00 = **off**

The time display and sensor controls do not go out.

-01 = **on (factory default)**

The time display and sensor controls will go out once the programme has been running for 10 minutes.

### “Switching on” the display again

- Touch the *Start/Add laundry* sensor control. This will not affect a running programme.

## P13 Memory

You can set the memory so that the electronic module saves the selected drying programme along with the required drying level or a specific option. It will also save the duration of the *Warm air* programme. The next time the programme is selected, these saved settings will appear in the display.

### Options

-00 = **off (factory default)**

-01 = on

## P14 Anti-crease

After the drying cycle has finished, the drum will continue to rotate in a special Anti-crease rhythm for a max. of 2 hours. This helps prevent creasing if the laundry is not removed immediately after the end of the programme. The duration can be shortened.

### Options

-00 = no Anti-crease

-01 = 1 hour

-02 = **2 hours (factory default)**

## P19 Buzzer active

The buzzer sounds to let you that it is the end of the programme. It can be switched on or off.


The warning tone which sounds when there are fault messages is independent of the buzzer.

### Options

-00 = **off (factory default)**

-01 = on


## P20 Airways indicator

Fluff should be removed after drying. The  indicator light will also come on when there is a certain build-up of fluff in the filters. You can decide at what level of build-up of fluff this reminder should be given.


You will have an idea of which option you should pick after a few drying programmes.

### Options

-00 = off


The  indicator light does not come on. However, if there is a very severe blockage in the ducting, the programme will be cancelled and the fault message *F 066* will appear in the display regardless of this option.

-01 = heavy

The  indicator light will come on when there is a heavy build-up of fluff.

-02 = **normal (factory default)**

-03 = light

The  indicator light will come on when there is only a small build-up of fluff.

## Programmable functions

---

### P22 Backlight brightness dimmed

The brightness of the dimmed sensor controls in the control field can be set to one of 7 different levels.

The brightness changes as soon as you select a different setting.

#### Options

-01 = darkest level

-02 = **Factory default**

...

-07 = brightest level

### P25 Duration of programme end buzzer

The buzzer sounds to let you that it is the end of the programme. You can decide how long the buzzer should sound for.

#### Options

-01 = **The buzzer sounds 3 times at the end of the programme. (Factory default)**

-02 = The buzzer sounds until the appliance switches off automatically (max. 1 hour).

### P26 Welcome tone

You can decide whether or not a welcome tone is played when the appliance is switched on.

#### Options

-00 = **off (factory default)**

-01 = on

-02 = on, slightly louder

### P90 Operating hours

You can read off how many hours the tumble dryer has been in operation for.

The total running time is shown on the time display in single digits. For example, if the tumble dryer has been in operation for 1234 hours, the time display will show an *H* followed by a *1*, then a *2* and after this a *3* and a *4*. The letter *H* is displayed again after this.


## Networking


The *P24*, *P31* and *P32* programmable functions are only displayed if the requirements for using Miele@home have been met (see “Before using for the first time”).



- To network the tumble dryer, read and follow the instructions in “Before using for the first time”.

### Resetting the network configuration

The network configuration should be reset whenever a tumble dryer is being disposed of or sold, or if a used tumble dryer is being put into operation. This is the only way to ensure that all personal data has been removed and the previous owner will no longer be able to access the tumble dryer.

- Turn the programme selector to *MobileStart* .

 will light up on the time display of the tumble dryer.

- Press the  sensor control and hold the  sensor control until the countdown on the time display has finished.

The time display shows: ---.

The network configuration has been deleted. A new connection setup has to be carried out in order to use *Miele@home* again.

## *P24* RemoteUpdate

The RemoteUpdate function is used for updating the software in your tumble dryer. If an update is available for your tumble dryer, it will automatically download it. Updates will not be installed automatically. They must be initiated manually.

If you do not install an update, you can continue to use your tumble dryer in the usual way. However, Miele recommends installing updates.

### Running a RemoteUpdate

Information about the content and scope of an update is provided in the Miele app.

The message *UP* will appear on the time display if an update is available.

You can install the update immediately or postpone this until later. When the tumble dryer is switched on again, you will be reminded about the update.

Deactivate RemoteUpdate if you do not want to install the update.

The update may take several minutes.

Please note the following information about the RemoteUpdate function:

- You will only receive a message when an update is available.
- Once an update has been installed, it cannot be undone.
- Do not switch off the tumble dryer during an update. Otherwise, the update will be aborted and will not be installed.
- Some software updates can only be carried out by the Miele Customer Service Department.

# Programmable functions

---

## Activating/deactivating

The RemoteUpdate function is activated as standard. Available updates will be downloaded automatically but will only be installed if you initiate installation manually. Deactivate RemoteUpdate if you do not want any updates to be downloaded automatically.

### Options

-00 = off

-01 = **on (factory default)**

## Starting the update

After the tumble dryer is switched on, *UP* appears on the time display.

- Touch the *Start/Add laundry* sensor control.

*UP* will flash on the time display. The update starts.

Bars on the time display show the progress of the update:

I = 0 %

|||||| = 100 %

## Postponing the update

After the tumble dryer is switched on, *UP* appears on the time display.

- Touch the  sensor control.


The next time you switch on the appliance, you will be prompted to start the update again.

### P3 | Remote control

You can use the Miele app to check the status of your tumble dryer from anywhere and start it remotely. You can also control it remotely via the *MobileStart* programme.

Remote control is automatically activated when you connect the tumble dryer to the WiFi network. You can switch off remote control if you do not want to operate the tumble dryer with your mobile device.

A programme can be cancelled via the app even if this programmable function is switched off.

Use the  button to set a timeframe during which you wish to start the tumble dryer and start the Delay start. The tumble dryer will then start within the timeframe specified when it receives your signal.

If it has not received a start signal by the latest start time set, the tumble dryer will start automatically.


#### Options


-00 = off

-01 = **on (factory default)**

### P32 SmartGrid

You can use this function to set your tumble dryer to start automatically based on an external signal within a certain time period.

If you have activated SmartGrid, the  sensor control will have the new “SmartStart” function rather than the “Delay start” function.

Use the  sensor control to set a SmartStart time period. The tumble dryer will then start within the time period specified by you when it receives an external signal. If a signal has not been received by the latest start time set, the tumble dryer will start automatically (see “Delay start”).

#### Options

-00 = **off (factory default)**

-01 = on

# Programmable functions

---

## Copyrights and licences for the communication module

For the purpose of operating and controlling the communication module, Miele uses proprietary or third-party software that is not covered by open source licensing terms. These items of software/software components are protected by copyright. The copyrights held by Miele and third parties must be respected.

Furthermore, this communication module contains software components which are distributed under open source licence conditions. The open source components contained in the appliance along with the corresponding copyright notices, copies of the licensing terms valid at the time, and any further information can be accessed locally via IP using a web browser (*<http://<IP address>/Licenses>*). The liability and warranty arrangements for the open source licences displayed in this location only apply in relation to the respective rights holders.







## **United Kingdom**

Miele Co. Ltd., Fairacres, Marcham Road  
Abingdon, Oxon, OX14 1TW  
Professional Sales, Tel: 0845 365 6608  
E-mail: professional@miele.co.uk  
Internet: www.miele.co.uk/professional

## **Australia**

Miele Australia Pty. Ltd.  
ACN 005 635 398, ABN 96 005 635 398  
Level 4, 141 Camberwell Road, Hawthorn East, VIC 3123  
Tel: 1300 731 411  
Internet: www.miele.com.au/professional  
E-mail: professional.sales@miele.com.au

## **China Mainland**

Miele Electrical Appliances Co. Ltd.  
No. 82, Shimenyi Road, JingAn District,  
Shanghai, China, P.R.C, Post Code: 200040  
Phone: +86 21 6157 3500, Fax: +86 21 6157 3511  
E-mail: info@miele.cn, Internet: www.miele.cn

## **Hong Kong, China**

Miele (Hong Kong) Ltd.  
41/F - 4101, Manhattan Place  
23 Wang Tai Road, Kowloon Bay, Hong Kong  
Tel: (852) 2610 1025, Fax: (852) 3579 1404  
Email: customerservices@miele.com.hk  
Website: www.miele.hk

## **India**

Miele India Pvt. Ltd.  
1st Floor, Copia Corporate Suites,  
Commercial Plot 9, Mathura Road, Jasola,  
New Delhi - 110025  
E-mail: customercare@miele.in, Website: www.miele.in

## **Ireland**

Miele Ireland Ltd.  
2024 Bianconi Ave., Citywest Business Campus,  
Dublin 24  
Tel: (01) 461 07 10, Fax: (01) 461 07 97  
E-Mail: info@miele.ie, Internet: www.miele.ie

## **Malaysia**

Miele Sdn Bhd  
Suite 12-2, Level 12  
Menara Sapura Kencana Petroleum  
Solaris Dutamas No. 1, Jalan Dutamas 1  
50480 Kuala Lumpur, Malaysia  
Phone: +603-6209-0288  
Fax: +603-6205-3768

## **New Zealand**

Miele New Zealand Limited  
IRD 98 463 631  
8 College Hill  
Freemans Bay, Auckland 1011, NZ  
Tel: 0800 464 353  
Internet: www.miele.com.au/professional  
E-mail: professional.sales@miele.com.au

## **Singapore**

Miele Pte. Ltd.  
29 Media Circle, #11-04 ALICE@Mediapolis  
Singapore 138565  
Tel: +65 6735 1191, Fax: +65 6735 1161  
E-Mail: info@miele.com.sg  
Internet: www.miele.sg

## **South Africa**

Miele (Pty) Ltd  
63 Peter Place, Bryanston 2194  
P.O. Box 69434, Bryanston 2021  
Tel: (011) 875 9000, Fax: (011) 875 9035  
E-mail: info@miele.co.za  
Internet: www.miele.co.za

## **United Arab Emirates**

Miele Appliances Ltd.  
Showroom 1, Eiffel 1 Building  
Sheikh Zayed Road, Umm Al Sheif  
P.O. Box 114782 - Dubai  
Tel. +971 4 3044 999, Fax. +971 4 3418 852  
800-MIELE (64353)  
E-Mail: info@miele.ae  
Website: www.miele.ae



Manufacturer: Miele & Cie. KG, Carl-Miele-Straße 29, 33332 Gütersloh, Germany

PDR 1108 HP SmartBiz

en-GB

M.-Nr. 12 646 520 / 02