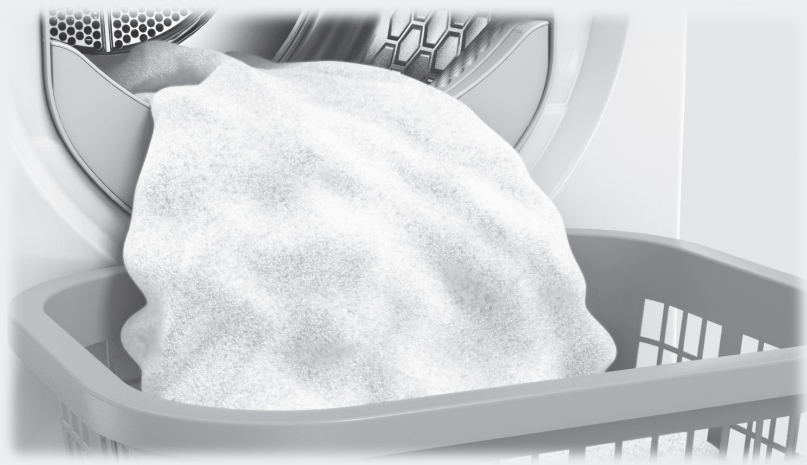


Operating and installation instructions Vented Dryer



It is **essential** to read these operating instructions before installing and using the appliance. This prevents both personal injury and damage to the appliance.

Contents

Caring for the environment	6
Warning and Safety instructions	7
Operating the tumble dryer	17
Control panel.....	17
Sensors and touch display with sensor controls	18
Main menu	18
Examples on how to operate the appliance	19
Operating the laundrette version	21
Using for the first time	23
Switching on the tumble dryer	23
Reference to external appliances.....	24
Setting the display brightness	24
Setting the date	24
Selecting programme packages	25
Completing the commissioning process	26
1. Notes on correct laundry care	27
Washing	27
Drying.....	27
Garment care label symbols	27
2. Loading the tumble dryer	28
3. Selecting a programme	29
Switching on the tumble dryer	29
Selecting a programme	29
4. Selecting programme settings	30
Main menu for a programme	30
Selecting the drying level.....	30
Selecting the duration (timed drying programmes)	30
Selecting Extras	31
Low temperature.....	31
Anti-crease	31
5. Starting a programme	32
6. End of programme - unloading the drum	33
At the end of the programme	33
Removing the laundry	33
Observing care instructions.....	33
Timer	34
Programme chart	35
Label.....	35

Programme packages	36
Standard	36
Sport.....	40
Soft furnishings.....	41
Hygiene	42
WetCare.....	43
Flatwork	43
Special programmes	44
Changing the programme sequence.....	45
Changing a programme after it has started.....	45
Cancelling a programme.....	45
Reselecting a cancelled programme.....	45
Adding or removing laundry	45
Cleaning and care	46
Cleaning interval	46
Cleaning the filters	46
Removing the filter in the plinth	46
Dismantling the filter.....	47
Cleaning the filter parts dry.....	47
Cleaning the filter parts with water.....	47
Cleaning the filter in the drum loading area.....	48
Assembling and refitting the filters	49
Cleaning the dryer	50
Problem solving guide.....	51
Programme cancellation and fault messages in the display	51
Messages in the display	53
Unsatisfactory drying result.....	54
The drying process takes a long time.	55
General problems with the tumble dryer.....	56
Service.....	57
Contact in case of fault.....	57
Optional accessories	57
Installation.....	58
Front view	58
Rear view	59
Installation locations.....	60
Side view.....	60
Steel plinth.....	60
View from above	60
Washer-dryer stack	60
Transporting the dryer to its installation site.....	61

Contents

Installation	62
Levelling the dryer	62
External control equipment	62
Electrical connection	63
Installation of the ducting	64
General principles of exhaust air management	64
General principles of the air supply	64
Calculating the total ducting length	65
Exhaust air outlets on the back of the tumble dryer	66
Sealing the air outlets	66
Dimensions of the exhaust air outlets	66
Installing plug-in pipes	67
Example	67
Installing flexible hoses	68
Flat ducting	68
Examples	69
Shared exhaust air duct	70
Technical data	72
Supervisor level	73
Opening the Supervisor level	73
Access via code	73
Change code	73
Demo programme	73
Closing the settings menu	73
Controls / Display	73
Language	73
Language entry	74
Set languages	74
Display brightness	74
Time	75
Date	75
Volume	75
Res. moisture display	75
Visibility parameters	75
“Display” off status	76
“Machine” off status	76
Delay start	76
Memory	76
Temperature unit	77
Weight unit	77
Logo	77
Supervisor code	77

Programme selection.....	78
Controls.....	78
Programme packages.....	79
Favourite programmes.....	79
Special programmes.....	81
Sort programmes.....	82
Prog. colour allocation.....	82
Process technology.....	82
Anti-crease.....	82
Drying levels.....	82
Further cooling.....	83
Cooling down temperature.....	83
Service.....	83
Clean out the airways.....	83
Clean the filters.....	84
Service interval.....	84
External applications.....	85
External exhaust flap.....	85
Additional fan.....	85
Pressure sensor.....	85
Peak load signal.....	86
Peak load prevention.....	86
COM module selection.....	86
Availability of Miele digital products.....	86
Wi-Fi / LAN.....	87
Network time.....	88
Remote.....	88
Remote Update.....	88
SmartGrid.....	89
Machine parameters.....	90
Payment system.....	90
Settings for the payment system.....	90
F-back signal to pay system.....	91
Payment system lock.....	91
Clear paid signal.....	91
Debounce time.....	92
Pay system override time.....	92
Duration Cool air.....	92
Duration Warm air.....	92
FOC programmes.....	92

Caring for the environment

Disposal of the packing material

The transport and protective packaging has been selected from materials which are environmentally friendly for disposal, and can normally be recycled.

Recycling the packaging reduces the use of raw materials in the manufacturing process and also reduces the amount of waste in landfill sites.

Ensure that any plastic wrappings, bags etc. are disposed of safely and kept out of the reach of babies and young children. Danger of suffocation.

Disposing of your old appliance

Electrical and electronic appliances often contain valuable materials. They also contain specific materials, compounds and components, which were essential for their correct function and safety. These could be hazardous to human health and to the environment if disposed of with your domestic waste or if handled incorrectly. Please do not, therefore, dispose of your old appliance with your household waste.



Please dispose of it at your local community waste collection / recycling centre for electrical and electronic appliances. You are also responsible for deleting any personal data that may be stored on the appliance prior to disposal. Please ensure that your old appliance poses no risk to children while being stored prior to disposal.

Warning and Safety instructions



- ▶ It is essential to read these instructions.

This tumble dryer complies with all current local and national safety requirements. However, inappropriate use can lead to personal injury and damage to property.

Read the operating instructions carefully before using the tumble dryer. They contain important information on safety, installation, use and maintenance of the appliance. This prevents both personal injury and damage to the tumble dryer.

In accordance with standard IEC 60335-1, Miele expressly and strongly advises that you read and follow the instructions in “Installation”, as well as in the “Warning and Safety instructions”.

Miele cannot be held liable for injury or damage caused by non-compliance with these instructions.

Keep these operating instructions in a safe place and pass them on to any future owner.

When instructing other people how to use the tumble dryer, they must be made aware of these Warning and Safety instructions.

Correct application

- ▶ The dryer is intended exclusively for drying textiles washed in water which have been labelled as suitable for tumble drying by the manufacturer on the care label. Any other applications may be dangerous. Miele cannot be held liable for damage resulting from incorrect or improper use or operation.
- ▶ This tumble dryer is intended for commercial use in small businesses, care homes, sports clubs, hospitals and other similar commercial environments. This machine may also be operated by lay persons in public areas such as laundrettes, communal laundry rooms or similar.
- ▶ This tumble dryer is not suitable for outdoor use.

Warning and Safety instructions

- ▶ This appliance is not intended for use by persons (including children) with reduced physical, sensory or mental capabilities, or lack of experience or knowledge, unless they are supervised whilst using it or have been shown how to use it in a safe way and understand and recognise the consequences of incorrect operation.
- ▶ Young children must not be allowed to use this appliance.
- ▶ Older children may only use the dryer if its operation has been clearly explained to them and they are able to use it safely. They must be able to understand and recognise the possible dangers caused by incorrect operation.
- ▶ Children must not be allowed to clean or maintain the tumble dryer unsupervised.
- ▶ Children should be supervised in the vicinity of the tumble dryer. Do not allow them to play with the appliance.

Technical safety

- ▶ Before installing the dryer, check it for visible signs of damage. Do not install or use a damaged appliance.
- ▶ Do not make any alterations to the dryer, unless authorised to do so by Miele.
- ▶ Temporary or permanent operation with a self-sufficient or non-mains synchronous energy supply system (e.g. isolated networks, back-up systems) is possible. A requirement for the operation is that the energy supply system complies with all current local and national requirements that apply to stand-alone, solar and/or battery systems. The protective measures provided in the installation and in this Miele product must also be assured in their function and operation in isolated operation or in non-mains synchronous operation, or replaced with equivalent measures in the installation.
- ▶ Do not connect the dryer to the mains electricity supply by an extension lead. Extension leads do not guarantee the required safety of the appliance (e.g. danger of overheating).
- ▶ The electrical safety of this appliance can only be guaranteed when continuity is complete between it and an effective earthing system. It is essential that this standard safety requirement is observed and regularly tested. If in any doubt, have the electrical installation inspected by a qualified electrician. Miele cannot be held liable for the consequences of an inadequate earthing system (e.g. electric shock).
- ▶ Unauthorised repairs could result in unforeseen dangers for the user, for which Miele cannot accept liability. Repairs must only be carried out by a Miele authorised service technician, otherwise any subsequent damage will not be covered by the warranty.
- ▶ If the electrical connection cable is faulty, it must only be replaced by a Miele authorised service technician to protect the user from danger.
- ▶ Faulty components must only be replaced by genuine Miele original spare parts. Miele can only guarantee the safety standards of the machine when Miele replacement parts are used.
- ▶ To ensure the correct performance of the tumble dryer and to prevent malfunctions and fire hazards, it is important to carry out maintenance on a regular basis.

Warning and Safety instructions

▶ In the event of a fault and for cleaning purposes, the tumble dryer must be disconnected from the electricity supply. It is only completely disconnected when:

- it is switched off at the wall socket or the plug is withdrawn, or
- the mains fuse is disconnected, or
- it is switched off at the mains circuit breaker.

For further information see “Installation - Electrical connection”.

▶ This tumble dryer must not be installed and operated in mobile locations (e.g. on a ship).

▶ Please observe the instructions in “Installation”, “Installation of the ducting” and “Technical data”.

▶ The electrical socket must be easily accessible so that the tumble dryer can be disconnected from the electricity supply.

▶ If the appliance is hard wired, adequate provision must be made on site to switch off all poles to disconnect the tumble dryer from the electricity supply. The means of disconnection must be incorporated in the fixed wiring in accordance with the wiring rules.

▶ The gap between the bottom of the tumble dryer and the floor must not be blocked with plinth facings, deep pile carpet etc., which would obstruct the openings. This would hinder a sufficient flow of air to the tumble dryer.

▶ The appliance must not be installed behind a lockable door, a sliding door or a door with a hinge on the opposite side to that of the tumble dryer, in such a way that a full opening of the tumble dryer door is restricted.

▶ This tumble dryer is supplied with a special lamp to cope with particular conditions (e.g. relating to temperature, moisture, chemical resistance, abrasion resistance, and vibration). This special lamp must only be used for the purpose for which it is intended. It is not suitable for room lighting. Replacement lamps may only be fitted by a Miele authorised technician or by Miele Professional Service.

▶ In areas which may be subject to infestation by cockroaches or other vermin, pay particular attention to keeping the appliance and its surroundings in a clean condition at all times. Any damage which may be caused by cockroaches or other vermin will not be covered by the warranty.

Correct use



**WARNING:
FLAMMABLE MATERIAL**

⚠ Warning: Risk of fire / Flammable materials.

To avoid the possible danger of fire, please read these warnings carefully.

⚠ A clogged filter is a fire hazard!

The fluff filter must be cleaned after every programme.

- ▶ The maximum load is 8 kg (dry laundry). See the “Programme chart” for the maximum recommended loads for individual programmes.
- ▶ Do not lean on the door. Otherwise, the tumble dryer may tip over, causing injury to yourself or others.
- ▶ Always close the door after use. This way you will avoid the danger of
 - children climbing into the tumble dryer or hiding things in it.
 - pets or other small animals climbing into the tumble dryer.
- ▶ Do not use a pressure washer or high-pressure hose to clean the tumble dryer.
- ▶ Keep the room where the tumble dryer is located free from dust and fluff. If the air that is taken into the machine contains dirt particles, they can cause blockages. This can lead to faults and create a fire hazard.

Warning and Safety instructions

▶ The tumble dryer may only be operated when the ducting has been installed and the room is sufficiently ventilated.

▶ Adequate ventilation has to be provided to avoid back flow gases into the room from appliances burning other fuels, including open fires.

▶ Please observe the instructions in “Installation of the ducting”.

▶ The ducting must never be installed in any of the following flues or shafts:

- Chimneys or exhaust smokestacks that are in use.
- Shafts that are used to ventilate installation rooms with fireplaces.
- Flues that are used by third parties.

If smoke or exhaust gas is pushed back into the flue or shaft, there is a risk of poisoning. Exhaust air must not be discharged into a flue which is used for exhaust fumes from appliances burning gas or other fuels.

▶ There is a risk of suffocation and poisoning from exhaust gas recirculation if gas-powered flow heaters, gas-powered room heaters, coal-burning stoves with a chimney connection, etc., are installed in the same room or in the apartment or in adjacent rooms and the negative pressure is 4 Pa or more.

You can prevent negative pressure in the installation room if you ensure sufficient room ventilation by taking the following measures (examples):

- Installing vents that cannot be closed in the exterior walls.
- Window switch: The tumble dryer can only be switched on when a window is open.

In any case, you should seek confirmation from the appropriate authority (or a gas fitter) that the appliance is operated safely and that a negative pressure of 4 Pa or more is being prevented.

Warning and Safety instructions

▶ Regularly check all components in the ducting (e.g. wall pipe, external grille, bends, elbows, etc.) to make sure that air can move through them and to ensure that they are working properly. Clean components when necessary. Fluff deposits in the ducting system will prevent the air from being extracted properly and, as a result, will stop the tumble dryer from working properly.

If existing exhaust ducting is to be used, it must be checked before it is installed on the tumble dryer.

▶ If several tumble dryers are to be installed on one exhaust air duct, a non-return flap must be installed directly on the duct for each tumble dryer.

Failure to do so may damage the dryers and affect their electrical safety.

▶ The fluff filter must be cleaned on a regular basis.

▶ Never operate the tumble dryer without the fluff filter or with a damaged fluff filter. This could lead to malfunctions. Fluff can clog the air passages, heating elements and ducting, which could result in a fire.

Stop the tumble dryer immediately and replace the damaged fluff filter.

▶ Do not install the tumble dryer in a room where there is a risk of frost. At temperatures around freezing point, the tumble dryer may not be able to operate properly.

The permitted room temperature is between 2 °C and 35 °C.

Warning and Safety instructions

- ▶ To prevent the risk of fire, the following textiles must not be dried in the tumble dryer:
- Items which have not been washed.
 - Items, such as workwear, which have not been thoroughly cleaned and are still soiled with grease, oil or other deposits (such as cooking oils, cosmetics, lotions, etc.). If items have not been thoroughly cleaned, there is a danger that they might ignite when heated, even after they have been removed from the tumble dryer at the end of the programme.
 - Items (e.g. mops and floor cloths) that have been treated with inflammable cleaning agents or which contain residues of acetone, alcohol, benzene, petrol, kerosene, stain remover, turpentine, wax and wax remover or other chemicals.
 - Items which have been splashed with hair lacquer, hair spray, nail varnish remover or similar substances.

When washing such heavily soiled items ensure that you use a larger quantity of detergent and select a high temperature. If in doubt, wash the items several times.

- ▶ Oil-affected items can ignite spontaneously, especially when exposed to heat sources such as in a tumble dryer. The items become warm, causing an oxidation reaction in the oil. Oxidation creates heat. If the heat cannot escape, the items can become hot enough to catch fire. Piling, stacking or storing oil-affected items can prevent heat from escaping and so create a fire hazard. If it is unavoidable that fabrics contaminated with vegetable or cooking oil, or hair care products, be placed in a tumble dryer, they should first be washed in hot water with extra detergent - this will reduce, but not eliminate, the hazard.
- ▶ Remove all items from pockets (e.g. lighters, matches).
- ▶ **WARNING:** Never switch the tumble dryer off before the end of the drying programme unless all items are removed immediately and spread out to cool down.

Warning and Safety instructions

► Fire hazard!

This tumble dryer must not be connected to a controllable socket (e.g. a timer or a peak-load switch-off device).

The tumble dryer may only be operated with a peak-load device if this is connected to the tumble dryer via the Miele XCI box and the relevant settings have been configured on the tumble dryer.

There is a risk of the laundry self-igniting if the drying programme is cancelled before the cooling phase has finished.

► To prevent the risk of fire, the following textiles must never be dried in the tumble dryer:

- Items which have been cleaned using industrial chemicals (e.g. professional dry-cleaning agents).
- Fabrics which contain a large proportion of rubber, foam rubber or rubber-like materials. For example, products made from latex foam rubber, shower caps, waterproof textiles, rubberised articles and items of clothing and pillows with foam rubber filling.
- Fabrics which contain padding or fillings which are damaged (e.g. pillows, jackets). The filling could fall out and cause a fire.

► The programme finishes when the cooling phase has been completed. Many programmes are followed by a cooling phase to ensure that the items are not too hot to handle when you remove them (this also reduces the risk of the laundry self-igniting). Make sure that you do not remove the laundry until the programme has finished.

► Fabric softener and similar products must be used according to the instructions on the manufacturer's packaging.

► Do not store or use petrol, kerosene, paraffin or other flammable substances near the dryer. Risk of fire and explosion!

► Do not expose the dryer to air which contains chlorine, fluorine or other solvent vapours. This contaminated air can cause a fire.

► For appliance parts made from stainless steel:

Avoid contact between stainless steel surfaces and liquid detergents or disinfecting agents containing chlorine or sodium hypochlorite.

These agents can cause corrosion on stainless steel.

Aggressive chlorine bleach vapours can also be corrosive.

Do not store open containers of these agents near the appliance.

Warning and Safety instructions


Accessories

▶ Only use genuine Miele spare parts and accessories with this machine.

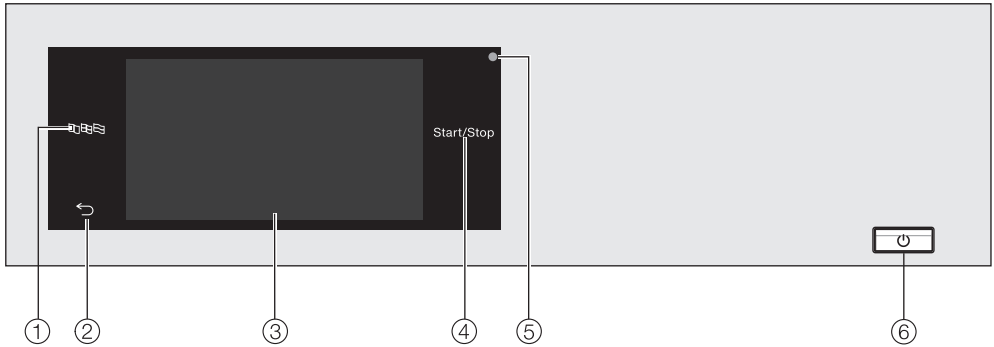
If spare parts or accessories from other manufacturers are used, any warranty, performance and product liability claims will be invalidated.

▶ Miele tumble dryers and Miele washing machines can be installed as a washer-dryer stack. This requires a Miele washer-dryer stacking kit which can be purchased separately. Please ensure that the washer-dryer stacking kit is suitable for your Miele tumble dryer and your Miele washing machine.

▶ If you order a plinth for this tumble dryer (available from Miele as an optional accessory), make sure it is the correct one.

 Miele cannot be held liable for damage caused by non-compliance with these Warning and Safety instructions.

Control panel



① **Language sensor**

For selecting the current user language.

The supervisor language is displayed again at the end of the programme.

② **Back sensor** ↶

Takes you back one level in the menu.

③ **Touch display**

④ **Start/Stop sensor**

For starting the selected drying programme and cancelling a programme that has already started. The programme selected can be started as soon as the sensor starts flashing.

⑤ **Optical interface**



For service technicians.

⑥ **Button** ①

For switching the tumble dryer on and off. The tumble dryer switches off automatically to save energy. This occurs 15 minutes after the end of the programme/anti-crease phase, or after being switched on if no further selection is made.

Operating the tumble dryer

Sensors and touch display with sensor controls

The ,  and *Start/Stop* sensors and the sensor controls in the display react to finger contact. Every touch of the sensors is confirmed by a keypad tone. You can adjust the volume of the keypad tone or switch it off (see “Supervisor level”).


The control panel with the sensor and the touch display can be scratched by pointed or sharp objects, e.g. pens.

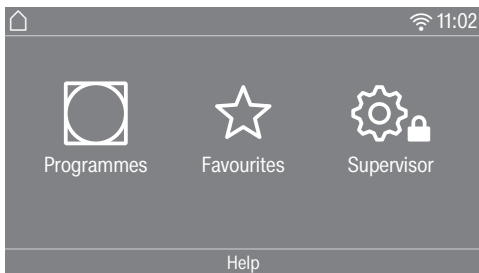
Only touch the display with your fingers.

Main menu

After switching on the tumble dryer, the main menu will appear in the display.

You can access all important submenus from the main menu.

Touch the  sensor at any time to return to the main menu. Values that have not yet been confirmed with the OK sensor are not saved when you return to the main menu.



Programmes

For selecting drying programmes.


Favourites

For selecting one of 12 favourite drying programmes which can be set up and saved by the operator (see “Supervisor level - Favourite programmes”).

Supervisor

You can alter the tumble dryer's electronics to suit changing requirements in the Supervisor level (see “Supervisor level”).

Networking

If the tumble dryer is networked, the  symbol indicates the signal strength of the network (SSID) to which it is connected. Touch the symbol to display the name of the network.

Help

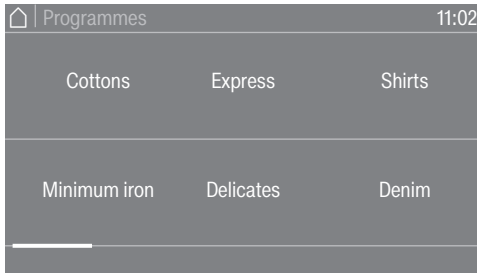
You can display help to assist you with the operation of the tumble dryer.

Operating the tumble dryer

Examples on how to operate the appliance

Selection lists

Programme menu (single selection)



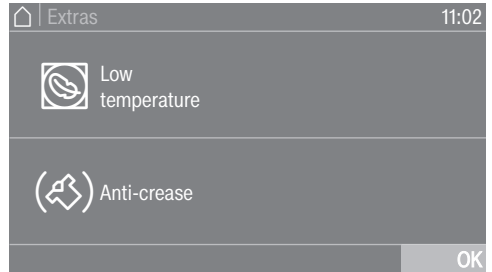
You can scroll to the right or left by swiping your finger across the screen. To do this, place your finger on the touch display and swipe it in the direction you want.

The orange bar under the pictures shows that there are further options to choose from.

Touch a programme name to select the drying programme.

The display will change to the standard display for that programme.

Extras menu (multiple selection)



Touch one or several *Extras* to select them.

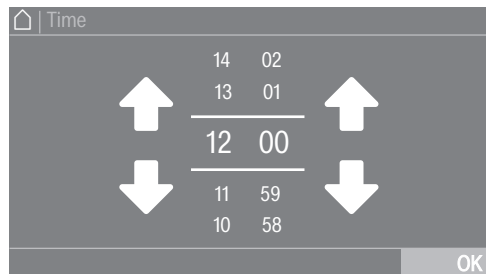
Currently selected *Extras* are highlighted in orange.

To deselect an *Extra*, simply touch the *Extra* again.

Use the OK sensor to activate the selected *Extras*.

Setting numerical values

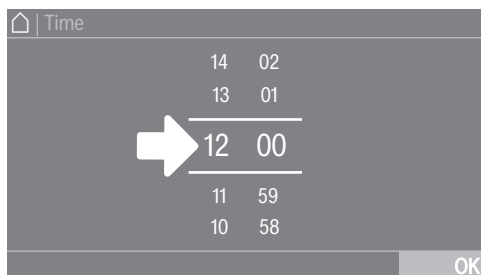
You can set numerical values in some menus.



Enter the numbers by swiping upwards or downwards. Place your finger on the number that you want to change and move your finger in the desired direction. Use the OK sensor to accept the set numerical value.

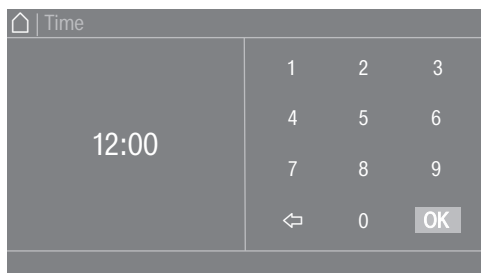
Operating the tumble dryer

Useful tip: For some settings, depending on the value range and increments, the value can also be set using a numerical keypad. Briefly touching the numbers will bring up the numerical keypad. Once a valid number has been entered, the OK sensor will be highlighted green.



- Briefly touch a number between the two lines.

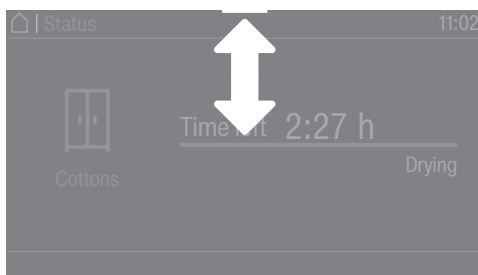
The numerical keypad will appear.



- Touch the numbers and confirm with OK.


Pull-down menu

The pull-down menu can be used to display information, e.g. about a drying programme.



If an orange bar appears at the top of the screen in the middle of the display, you can open the pull-down menu. Touch the bar and drag it down with your finger on the display.

Exiting a menu

- Touch the  sensor to return to the previous screen.

Entries made before this which have not been confirmed with OK will not be saved.

Help display

With some menus Help appears in the bottom line of the display.

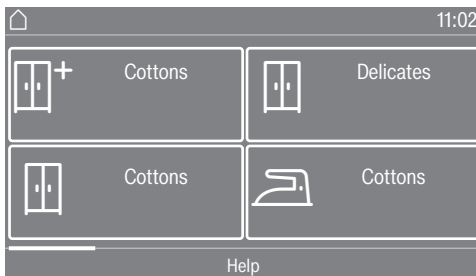
- Touch the Help sensor to display the text.
- Touch the Close sensor to return to the previous screen.

Operating the laundrette version

The entry menu will vary depending on the programming status (see “Supervisor level - Controls”).

Shortcuts are the easiest way to operate the machine. Operators cannot change the preset programmes.

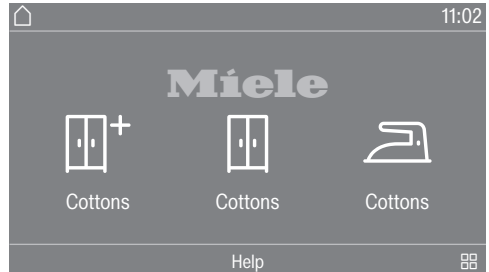
Laundrette, basic




A maximum of 12 and a minimum of 4 programmes can be selected.

Depending on the setting at Supervisor level, the programmes can be displayed with or without a border.







Laundrette Logo



The first 3 programmes can be selected directly. Up to 9 more programmes can be selected from the list .

Symbols in the display

Drying levels

-  Extra dry
-  Normal plus
-  Normal
-  Hand iron plus
-  Hand iron
-  Machine iron

Operating the tumble dryer

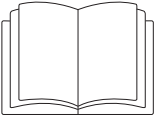
Laundrette Logo int. time / Laundrette Logo ext. time



4 timed programmes with different temperature levels are available for selection.

- 🌡️🕒 Temperature level cold
- 🌡️🕒 Temperature level low
- 🌡️🕒 Temperature level medium
- 🌡️🕒 Temperature level high

Laundrette Logo ext. time: the tumble dryer only functions correctly when it is provided with external time information by an external unit.



⚠ Risk of injury or damage to property due to improper installation. Improper installation of the tumble dryer may result in personal injury or damage to property.

Before using the tumble dryer for the first time, make sure it has been installed and connected correctly. Please observe the instructions in “Installation” and “Installation of the ducting”.

Follow all the steps required for initial commissioning. During the commissioning process, you will need to define the settings for daily use of the tumble dryer. Some of the settings can only be configured during the initial commissioning process. After that, they must be changed by Miele Professional Service.

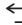
The settings are also described in “Supervisor level”.

Switching on the tumble dryer

- Press the  button.

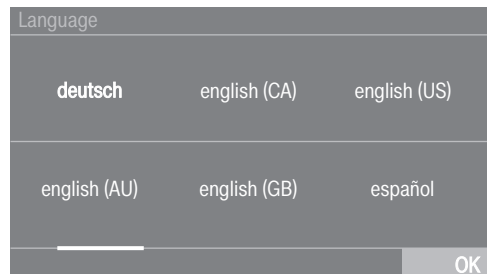
The welcome screen will light up.

Useful tip: During initial commissioning, you can go back to the previous screen if you need to correct an entry you have already made.

- Touch the  sensor to return to the previous screen.

Setting the display language

You will be asked to select the language for the display. You can change the language at any time (see “Supervisor level - Language”).



- Scroll to the left or the right until the language you want appears.
- Touch the sensor for the required language.

The selected language will be highlighted in orange and the display will change to the next setting.

Using for the first time

Reference to external appliances

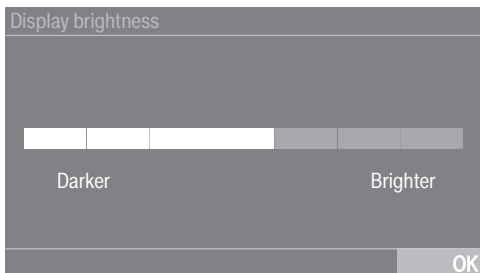
A reference to external hardware appears.

- Confirm with the OK sensor.

Connect the XCI box or XCI-AD accessory unit before using the appliance for the first time. Alternatively, slide a communication module into the slot on the back of the tumble dryer. The dryer must be disconnected from the power supply for this process. Then start the commissioning process.

Setting the display brightness

You will be asked to set the brightness of the display.



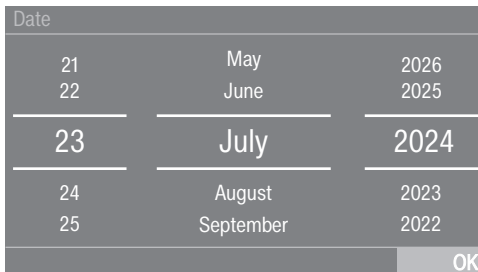
- Touch the segment bar until you reach the required level of brightness.

The selected brightness level will be highlighted in orange.

- Confirm with OK.

The display will change to the next setting.

Setting the date



- Place your finger on the number to be changed and move your finger in the desired direction.
- When all values have been set, confirm with the OK sensor.

The display will change to the next setting.

Confirming the time query

The following query will appear in the display:

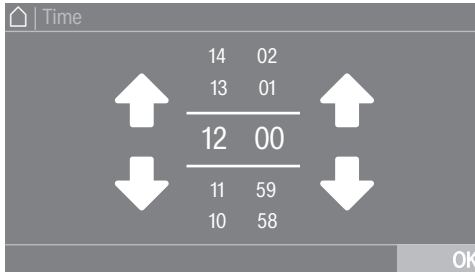
Should the clock display not be shown?

- Touch the Yes or No sensor.

If you select Yes, the system will skip the Time setting.

If you select No, the display will switch to the Time setting.

Setting the time of day



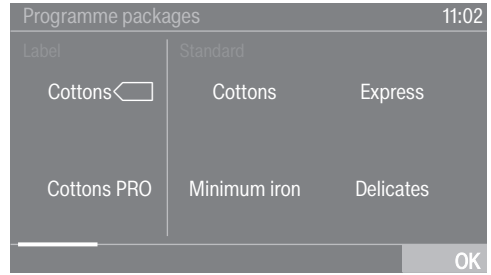
- Place your finger on the number that you want to change and move your finger in the desired direction.
- Confirm with the OK sensor.

The display will change to the next setting.

Selecting programme packages

You can select various programmes from the programme packages.

Any programmes already active are marked in orange.



- Scroll right until you reach a programme that is not marked in orange.
- Touch the sensor for the desired programme.

The selected programme is highlighted in orange, which means active.

- You can select further programmes.

Useful tip: You can deactivate a selected programme by touching the programme's sensor again.

- If you do not want to select any more programmes, confirm with the OK sensor.

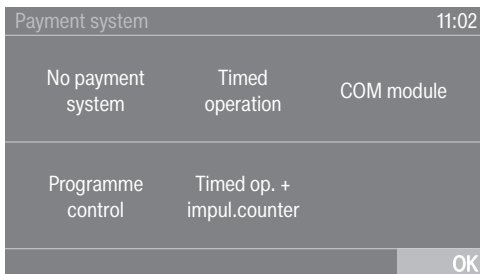
The display will switch to the next setting.

Using for the first time

Setting up a payment system

If you wish to set up a payment system, read the chapter “Supervisor level - Payment system”. These settings can only be changed during the initial commissioning process. If you wish to change the settings later, please contact Miele Professional Service.

If you do not wish to set up a payment system, you can skip this step.



- Touch the **No payment system sensor**.

The display will change to the next setting.

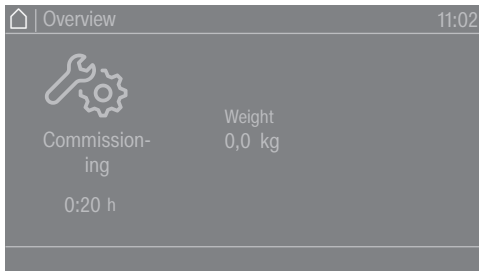
Completing the commissioning process

The commissioning process is completed when the **Commissioning** programme has been carried out in full.

The programme has a duration of 20 minutes and must run with an empty drum.

If there is an interruption to the power supply (or the machine is switched off with the ⓪ button) before or during the **Commissioning** programme, commissioning will be cancelled. If this happens, the commissioning process must be carried out again.

- Confirm with the **OK sensor**.



- Touch the flashing **Start/Stop sensor**.
- Once the programme has finished, switch the tumble dryer off briefly and then switch it back on again.


Commissioning is complete and the tumble dryer is ready for drying.

1. Notes on correct laundry care

Washing


- Wash heavily soiled laundry thoroughly. Ensure that you use sufficient detergent and select a high temperature. If in doubt, wash the items several times.
- New, coloured items should be washed thoroughly and separately. Do not dry these garments together with light coloured garments. There is the risk of colours running and discolouring other garments or even plastic components in the tumble dryer. Dark coloured fluff can also settle on light coloured garments and vice versa.

Drying

 Damage due to foreign objects which were not removed from the laundry.

Foreign objects can melt, burn, or explode.

Ensure that any foreign objects (e.g. detergent dispensing balls, lighters, etc.) have been removed from the laundry.








 Risk of fire due to incorrect use and operation.

The laundry can burn and destroy the dryer and the surroundings.

See “Warning and Safety instructions” for further information.

- Check seams and stitching to ensure that padding and linings are intact. This way you can prevent fillings from falling out, which could create a fire hazard.
- Sew in or remove loosened underwiring from bras.

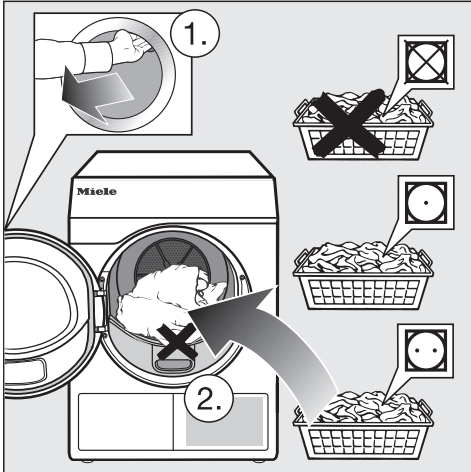
Garment care label symbols

Drying	
	normal/higher temperature
	reduced temperature*
* Select the <i>Low temperature Extra</i> .	
	Do not tumble dry
Ironing	
	very hot
	hot
	warm
	Do not iron

2. Loading the tumble dryer

Loading the laundry

Textiles can be damaged.
Before loading the dryer, read “1.
Notes on correct laundry care”.

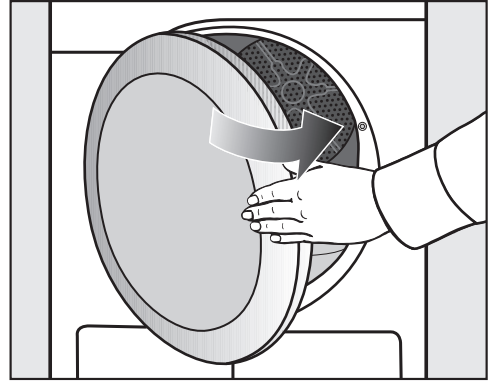


- Open the door.
- Load the laundry.

Textiles can be damaged.
When closing the door, make sure
that laundry does not get trapped in
the door opening.

Do not overload the drum. Overloading
can cause unnecessary wear and tear
to the laundry and give a disappointing
drying result. It can also cause more
creasing.

Closing the door



- Shut the door with a gentle swing.

3. Selecting a programme

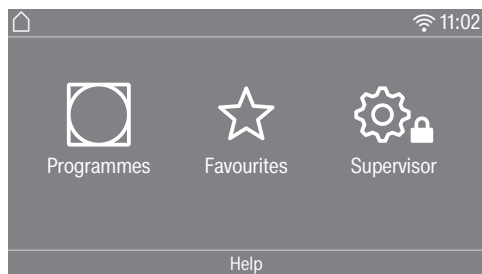
Switching on the tumble dryer

- Press the  button.

The interior drum lighting will come on.

The interior drum lighting will automatically go out after a few minutes and/or after the start of a programme to save energy.

Selecting a programme




There are different ways to select a programme.

- Touch the  Programmes sensor.




- Scroll to the right of the display until the programme you want appears.
- Touch the sensor for that programme.

The display will change to the standard menu for that drying programme.

Alternatively you can select a programme via  Favourites*.

* The preset programmes under Favourites cannot be changed.

- Touch the  Favourites sensor.

The programmes will appear in the display. Symbols representing the preset parameters (drying level, Extras or times) are displayed underneath the names of the programmes.



- Scroll to the right of the display until the programme you want appears.
- Touch the sensor for that programme.

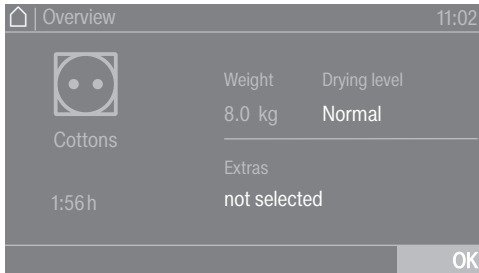
The display will change to the standard menu for that drying programme.

4. Selecting programme settings

Main menu for a programme

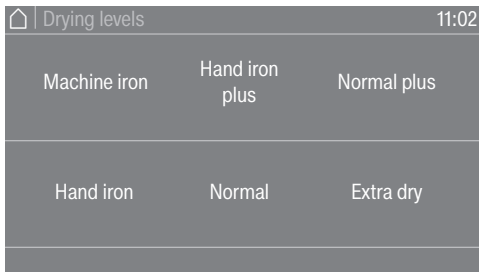
Selecting the drying level

The preset drying level can be changed for many programmes. Different drying levels are available depending on the programme.



■ Touch the Drying level sensor.

The drying level selection menu opens.



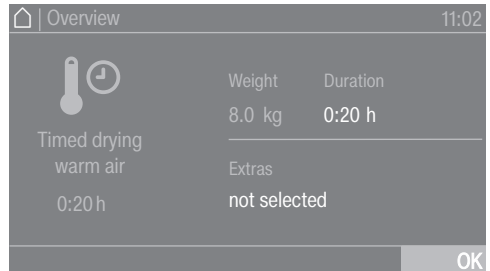
■ Touch the sensor for the required drying level.

Selecting the duration (timed drying programmes)

You can select the programme duration yourself.*

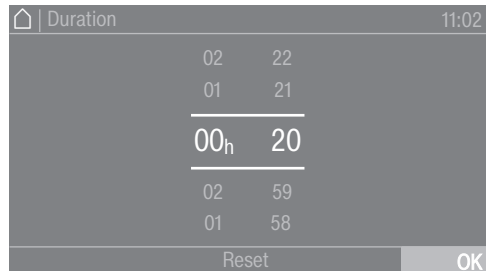
* The time frame for selecting the programme duration can be limited by Miele Professional Service.

- Timed drying warm air = 0:10-2:00 h
- Timed drying cool air = 0:10-2:00 h
- Basket programme/Basket -Low temperature = 0:20-1:30 h
- Timed drying warm air hyg. = 0:50-2:00 h



■ Touch the Duration sensor.

The selection menu for setting the duration opens.



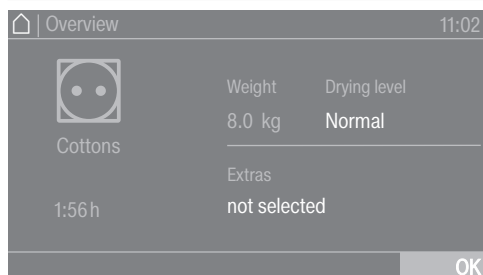
■ Select a duration.

■ Press OK when it is offered in the display.

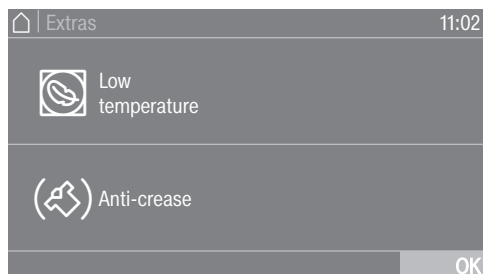
4. Selecting programme settings

Selecting Extras



The drying programmes can be supplemented with various Extras.



- Touch the Extras sensor.




- Touch the sensor for the Extra you want.
- Press OK when it is offered in the display.

The relevant symbol for the required Extra  or  will light up.

Not all Extras can be selected with every programme, only with those for which it makes sense.

Low temperature

Delicate fabrics (with the  symbol on the care label, e.g. acrylic garments) are dried at a lower temperature. The programme duration is longer.

Anti-crease

After the programme has finished, the drum can be set to continue to rotate in a certain rhythm, depending on the selected programme. This helps to prevent creasing after the programme has ended.

The Anti-crease function is switched off at the factory. It can be switched on in the Supervisor level with a variable duration of up to 12 hours.

5. Starting a programme

Payment system

Useful tip: If your machine is connected to a payment system, the amount of payment required will appear in the display.

Do not open the door or cancel the programme once it has started. Depending on the settings, credit with the payment system may be lost if the programme is cancelled.

Starting a programme

The programme can be started once the *Start/Stop* sensor is flashing on and off.

- Touch the *Start/Stop* sensor.

If a delay start time has been selected, this will count down in the display.

At the end of the delay start time or immediately after the programme has started, the programme duration will appear in the display. The programme sequence is also shown in the display.

Useful tip: You can use the pull-down menu to display the selected temperature, spin speed, and any selected Extras.

Programme duration/estimated time remaining

The programme duration depends on the quantity of laundry, the type of fabric and the residual moisture in the laundry, and also the water hardness. For this reason, the time left for the drying level programmes may vary or “jump”. The tumble dryer's electronic control system adapts to these factors and then adjusts the displayed duration with increasing accuracy.

6. End of programme - unloading the drum

At the end of the programme

The laundry is cooled down shortly before the end of the programme. The laundry can then be removed.

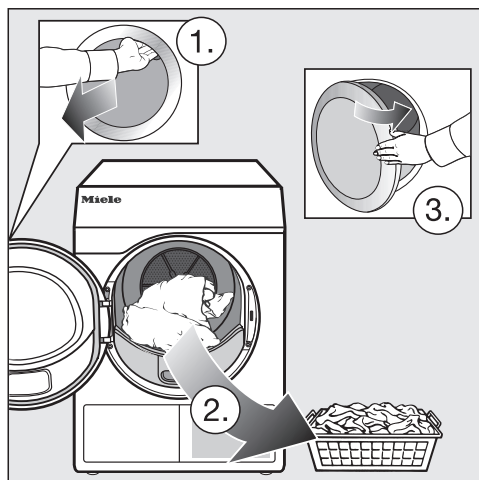
- Finish lights up.

If *Anti-crease* (☞)* has been selected, the drum will rotate in intervals. This reduces creasing if the laundry cannot be removed straight away.

The anti-crease function is switched off at the factory.

The tumble dryer switches off automatically 15 minutes after the end of the programme.

Removing the laundry



- Open the door.
- Make sure that you empty the drum completely.

Items left in the dryer could be damaged by overdrying when the dryer is used the next time. Always remove all items from the drum.

- Switch the tumble dryer off.

Observing care instructions


This tumble dryer requires regular maintenance, particularly if it is used on a continuous basis.

Useful tip: See “Cleaning and care”. Read the section “Cleaning interval” first.

Timer



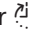
Delay start must be activated in the Supervisor level so that the Timer can be selected.
The Timer can be used to select the time at which a programme starts or finishes.

Setting the Timer

- Touch the  Timer sensor.
- Select the Finish at, Start in or Start at option.
- Set the hours and the minutes and confirm your entry with the OK sensor.


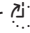
Changing the Timer

The selected delay start time can be changed before the programme starts.

- Touch the ,  or  sensor.
- Change the time set and confirm with the OK sensor.

Deleting the Timer

The selected delay start time can be cancelled before the programme starts.

- Touch the ,  or  sensor.

The selected delay start time will appear in the display.

- Touch the Delete sensor.
- Confirm with the OK sensor.

The selected delay start time is deleted.

Starting the Timer

- Touch the *Start/Stop* sensor.

The door will lock and the time remaining until the programme starts will appear in the display.

After the programme has started, the selected time can only be changed or cancelled by interrupting the programme.


The programme can be started immediately at any time.

- Touch the Start immediately sensor.

Programme chart

All weights marked with * are based on the weight of dry laundry.

Label


Cottons 		Max. load 8 kg*
Items	Cotton items such as those described under <i>Cottons Normal</i> with normal residual moisture.	
Notes	This programme only dries to the <i>Normal</i> level.	
Cottons PRO		Max. load 8 kg*
Items	Cotton items such as those described under <i>Cottons Normal</i> with normal residual moisture.	
Notes	This programme only dries to the <i>Normal</i> level.	

Programme chart

Programme packages

You can select various programmes from the programme packages. The programmes will be displayed in the programme list.

Standard

Cottons		Max. load 8 kg*
Extra dry, Normal plus, Normal		
Items	<ul style="list-style-type: none"> - Single and multi-layered cotton fabrics. - Towelling, bathrobes, T-shirts, underwear, jersey/terry bed linen, baby clothes. - Workwear, jackets, cotton blankets, aprons, tea towels, bed linen, towels, overalls, table linen. 	
Notes	<ul style="list-style-type: none"> - Select <i>Extra dry</i> for multi-layered and very thick fabrics. - Do not use <i>Extra dry</i> for jersey fabrics (e.g. T-shirts, underwear, baby clothes), as they have a tendency to shrink. 	
Hand iron plus, Hand iron, Machine iron		
Items	<ul style="list-style-type: none"> - Cotton and linen fabrics. - Table linen, bed linen, or starched laundry. 	
Notes	To prevent laundry from drying out, it should be rolled up until you are ready for ironing.	
Minimum iron		Max. load 4 kg*
Normal plus, Normal, Hand iron		
Items	<ul style="list-style-type: none"> - Minimum iron items made of cotton, synthetic, or mixed fibre. - Workwear, overalls, pullovers, dresses, trousers, leggings and table linen. 	
Notes	 is selected automatically.	
Express		Max. load 4 kg*
Extra dry, Normal plus, Normal, Hand iron plus, Hand iron, Machine iron		
Items	Hard-wearing textiles suitable for the <i>Cottons</i> programme.	
Notes	Shorter programme duration	

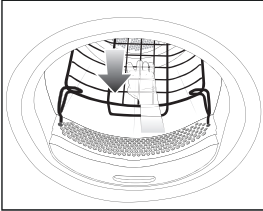
Programme chart

Delicates		Max. load 4 kg*
Normal plus, Normal, Hand iron plus		
Items	<ul style="list-style-type: none"> - Delicate items made of cotton, synthetic, or mixed fibre. - Lightweight pullovers, dresses, trousers, overalls, table cloths, shirts and blouses. - Lingerie and appliquéd fabrics. 	
Notes	Less creasing occurs in this programme.	
Notes	Reducing the load will further reduce creasing.	
Shirts		Max. load 2 kg*
Normal, Hand iron plus		
Items	Shirts and blouses.	
Denim		Max. load 3.5 kg*
Normal, Hand iron plus		
Items	Denim jackets, jeans, shirts, and skirts.	
Woollens		Max. load 2 kg*
Items	Woollen garments and textiles containing wool blends, e.g. pullovers, cardigans, stockings.	
Notes	<ul style="list-style-type: none"> - Wool and wool blend items are only fluffed up; they are not dried completely. - Remove items as soon as the programme has finished and leave to finish drying at room temperature. 	
Silks		Max. load 1 kg*
Items	Silk garments which are suitable for drying in a tumble dryer, e.g. blouses and shirts.	
Notes	<ul style="list-style-type: none"> - Programme for reduced creasing. - Items are not dried completely. - Remove garments as soon as the programme has finished. 	
Towelling		Max. load 8 kg*
Items	Large quantities of single-layered and multi-layered towelling items. These include towels, bath robes, face washers, terry bed linen.	
Notes	This programme only dries to the <i>Normal plus</i> level.	

Programme chart

Smoothing		Max. load 1 kg*
Items	<ul style="list-style-type: none"> - Cotton and linen fabric. - Minimum iron items made of cotton, synthetic or mixed fibre, e.g. trousers, jackets, shirts. 	
Notes	<ul style="list-style-type: none"> - This programme smooths out creasing caused during the spin cycle in the washing machine. - Items are not dried completely. - For extra gentle smoothing, also select the <i>Low temperature Extra</i>. - Remove items as soon as the programme has finished and hang them up on a washing line or coat hanger to air dry. 	
Automatic plus		Max. load 5 kg*
Normal plus, Normal, Hand iron plus		
Items	Mixed loads of garments suitable for the <i>Cottons</i> and <i>Minimum iron</i> programmes.	
Microfibre		Max. load 7 kg*
Normal plus, Normal		
Items	Microfibre mops and cleaning cloths.	
Timed drying warm air		Max. load 8 kg*
Items	<ul style="list-style-type: none"> - Jackets, sleeping bags, pillows and other down-filled items. - Fabrics made up of multiple layers, e.g. heavy cotton table cloths. - Individual items of laundry, e.g. towels, swimwear, tea towels. 	
Notes	<ul style="list-style-type: none"> - For finishing drying multi-layered or voluminous items that dry unevenly due to their composition. - For drying a small number of individual garments. - Do not select the longest drying time to start with. Check the items as you are drying them to find the optimal time. 	
Timed drying cool air		Max. load 8 kg*
Items	Items which only need airing.	

Programme chart

Basket programme		Max. load for basket 3.5 kg
Basket - Low temperature		Max. load for basket 3.5 kg
Textiles/ items	<ul style="list-style-type: none">- It is essential to observe the information for the drying basket in the operating instructions.- Use this programme to dry or air items which are suitable for drying in a tumble dryer but which are not suitable for drying using mechanical action.	
Notes	<ul style="list-style-type: none">- This programme may only be used with the Miele drying basket (optional accessory) fitted.- A satisfactory drying result cannot be achieved without the drying basket.- Select <i>Basket - Low temperature</i> for temperature-sensitive items.- Make sure that the load (bag, boots etc.) does not touch the drum: The dryer drum rotates, which can damage the basket and the drum if loaded incorrectly. See the operating instructions supplied with the drying basket.- It is essential to observe the operating instructions for the drying basket. 	

Programme chart

Sport

Sportswear		Max. load 3 kg*
Items	Sportswear which is suitable for drying in a tumble dryer.	
Notes	This programme only dries to the <i>Normal</i> level.	
Outerwear		Max. load 2.5 kg*
Normal, Hand iron plus		
Items	Outerwear which is suitable for drying in a tumble dryer.	
Proofing		Max. load 2.5 kg*
Items	Microfibre fabric, ski wear, outerwear, fine close weave cotton garments (poplin), or tablecloths which are suitable for drying in a tumble dryer and have been treated to provide a water and dirt-resistant finish.	
Notes	<ul style="list-style-type: none">- This programme includes a proofing fixing phase.- Only use proofing agents which are stated by the manufacturer as being "suitable for use on membrane textiles". These agents contain fluorochemical compounds.- Do not dry items which have been treated with proofing agents containing paraffin. This substance is a fire hazard.- This programme only dries to the <i>Normal</i> level.	
Reactivation		Max. load 2.5 kg*
Items	Outerwear which is suitable for drying in a tumble dryer.	
Notes	<ul style="list-style-type: none">- The drying process revitalises the fibres, which improves water-repelling properties.- This programme only dries to the <i>Normal</i> level.	

Soft furnishings

Down bedding		Max. load 2 kg*
Items	Bedding suitable for tumble drying (duvets or pillows filled with down or feathers).	
Notes	This programme only dries to the <i>Normal</i> level.	
Notes	Feathers are a natural product and may develop odours when exposed to heat. Allow bedding to air outside the dryer after drying.	
Synthetic bedding		Max. load 2 kg*
Items	Bedding suitable for tumble drying (duvets or pillows filled with synthetic fillings).	
Notes	This programme only dries to the <i>Normal</i> level.	
Large items		Max. load 4 kg*
Normal plus, Normal, Hand iron, Machine iron		
Items	Hard-wearing, large textiles suitable for the <i>Cottons</i> programme. These include day blankets, multi-layered covers, large voluminous items.	

Programme chart

Hygiene

In the hygiene programmes, items will be dried with a temperature that is constant over an extended period (longer temperature holding time). This temperature holding time kills off micro-organisms such as germs or dust mites and reduces allergens in the laundry.

If a hygiene programme is cancelled early, micro-organisms will not be killed. Do not interrupt the programme.

Cottons hygiene		Max. load 4 kg*
Items	Cotton or linen items that come into direct contact with the skin. These include underwear, baby clothes, bed linen, towels, bathrobes, spa towels and face washers.	
Notes	This programme only dries to the <i>Normal</i> level.	
Minimum iron hygiene		Max. load 4 kg*
Items	<ul style="list-style-type: none"> - Minimum iron items made of cotton, synthetic, or mixed fibre. - Workwear, overalls, pullovers, dresses, trousers, leggings and table linen. 	
Notes	This programme only dries to the <i>Normal</i> level.	
Timed drying hygiene		Max. load 4 kg*
Items	<ul style="list-style-type: none"> - Jackets, sleeping bags, pillows and other voluminous items. - Fabrics made up of multiple layers, e.g. heavy cotton table cloths. - Individual items of laundry, e.g. towels, swimwear, tea towels. 	
Notes	<ul style="list-style-type: none"> - For finishing drying multi-layered or voluminous items that dry unevenly due to their composition. - For drying a small number of individual garments. - Do not select the longest drying time to start with. Check the items as you are drying them to find the optimal time. 	

WetCare

WetCare sensitive		Max. load 2.5 kg*
Items	For non-washable outer garments.	
Notes	The garments are briefly dried and fluffed up.	
WetCare Silks		Max. load 2.5 kg*
Normal, Hand iron plus, Hand iron		
Items	For non-washable outer silk garments which crease easily.	
WetCare intensive		Max. load 2.5 kg*
Normal, Hand iron, Hand iron plus, Machine iron		
Items	Washable outer garments.	

Flatwork

Cottons 40% residual moisture		Max. load 8 kg*
Cottons 25% residual moisture		Max. load 8 kg*
Minimum iron 20% residual moisture		Max. load 4 kg*
Items	<ul style="list-style-type: none"> - Hotel, residential care or hospital laundry that requires further processing (hand ironing, machine ironing, folding). - This includes cottons and minimum iron fabrics, such as bedding and table linen or towels. 	
Notes	<ul style="list-style-type: none"> - The residual moisture is absorbed by the fabric fibres, which makes them easier to smooth. - These programmes only dry to the <i>Machine iron</i> level. 	
Notes	<ul style="list-style-type: none"> - To prevent laundry from drying out, it should be rolled up until you are ready for ironing. - Shake the laundry before ironing. 	

Programme chart

Special programmes

You can put together 5 special programmes and assign your own programme names. Enter these into the tables.

Load: maximum 8 kg (weight of dry items)

Example

[Special programme 1] Dry+	
Res. moisture programme	
- Final residual moisture :	- 6 %
- Extra drying time :	- 30 min
- Temperature :	- 60°C

(1)
-
-
-
-
-
-
-

(2)
-
-
-
-
-
-
-

(3)
-
-
-
-
-
-
-

(4)
-
-
-
-
-
-
-

(5)
-
-
-
-
-
-
-

Changing the programme sequence


Payment system

Opening the door or cancelling the programme after it has started may result in a loss of credit (depending on the settings*).

* Either during the commissioning process or subsequently by Miele Professional Service, a time period can be set during which a programme change is permitted.

Changing a programme after it has started

Programme selection is no longer possible (protection against unintentional changes). If you want to select a new programme, you must first cancel the running programme.

 Risk of fire due to incorrect use and operation.

The laundry can burn and destroy the dryer and the surroundings.

See “Warning and Safety instructions” for further information.

Cancelling a programme

- Touch the *Start/Stop* sensor.

You will be asked in the display whether you want to cancel the programme.


- Touch the *Yes* sensor.

Reselecting a cancelled programme

- Open and close the door.
- Select and start a new programme.


Adding or removing laundry

- Open the door.

 Risk of burning when touching hot laundry in the drum.
You could burn yourself.
Let the laundry cool down and remove it carefully.

- Add or remove laundry.
- Close the door.
- Start the programme.

Interruption to the power supply

If the power supply was interrupted because the tumble dryer was switched off with the  button:

- Switch the tumble dryer back on.
- Touch the *Start/Stop* sensor.

If the programme was interrupted by a power cut:

- When power is restored, you need to confirm with *OK*.
- Touch the *Start/Stop* sensor.

Remaining programme time

Altering the programme sequence can cause the programme duration shown in the display to “jump”.

Cleaning and care

Cleaning interval

A two-piece filter system in the air flow areas of the dryer collects all fluff generated during the drying process.

Failure to clean the filters regularly can increase drying times.

⚠ Fire hazard due to irregular maintenance.

Too many fluff deposits in the filter system and tumble dryer pose a fire risk.

Check the filter system and air flow area on a regular basis. Always clean the filters when fluff deposits are present.

⚠ Damage caused by a missing or damaged filter.

Too many fluff deposits in the filter system and tumble dryer can lead to appliance malfunctions.

Never use the tumble dryer without the filters in place. Always replace a damaged filter immediately.

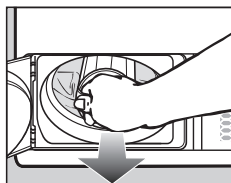
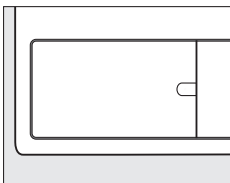
Always clean the appliance whenever prompted to do so in the display.

Various messages can be displayed:

Clean the filters.

Clean the fluff filter and rinse the plinth filter.

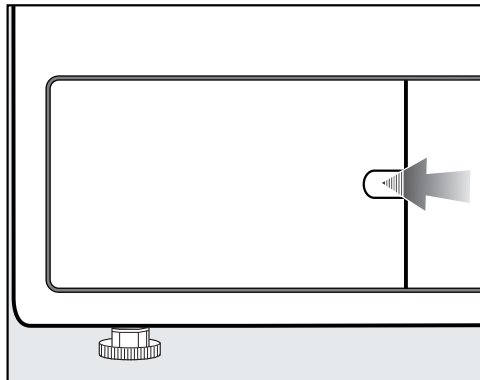
Rinse the fluff filter and plinth filter. Check the airways.



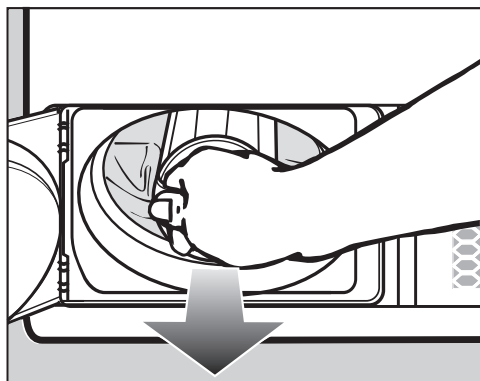
- To delete the message: open the fluff filter flap for at least 10 seconds while the tumble dryer is switched on.
- You might have to confirm with OK.

Cleaning the filters

Removing the filter in the plinth

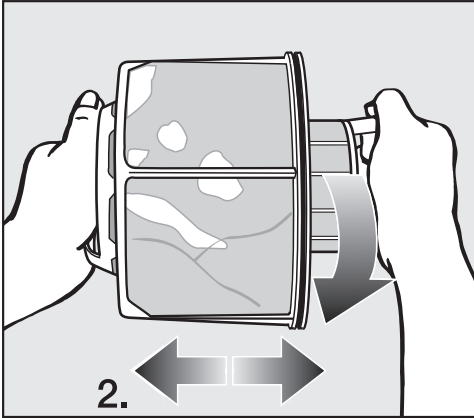


- Reach behind the catch with your finger.
- Open the fluff filter flap.



- Pull the filter out by its handle.

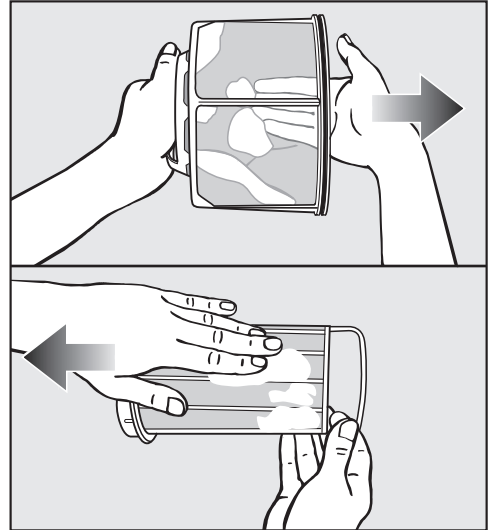
Dismantling the filter



- Hold onto both handles on the filter.
- Turn the inner part of the filter anti-clockwise slightly until you feel it click (1).
- Pull apart the two parts of the filter (2).

Cleaning the filter parts dry

Useful tip: The best cleaning result can be achieved with a vacuum cleaner.



- Use your fingers or a vacuum cleaner to remove the fluff from the surface of the filter.

Cleaning the filter parts with water

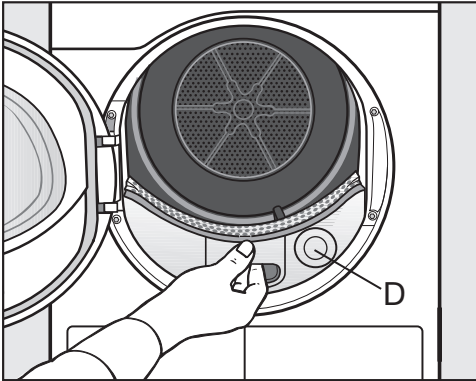
If there is a lot of compacted fluff on the filter parts, you should also clean them under warm running water.

Ensure the filter is dry before replacing it. Damp or wet filters can cause operational faults. Shake both parts thoroughly and then dry them carefully.

Cleaning and care

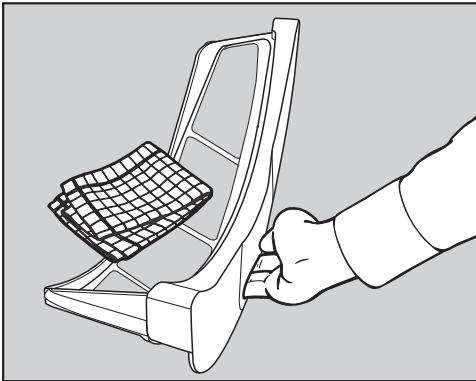
Cleaning the filter in the drum loading area

- Open the door.

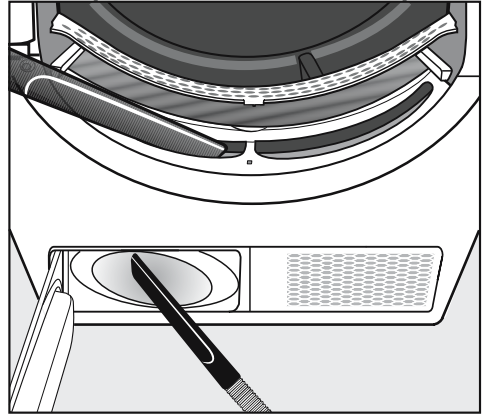


The round cover (D) has no function and cannot be removed.

- Pull out the cover for the air flow area.

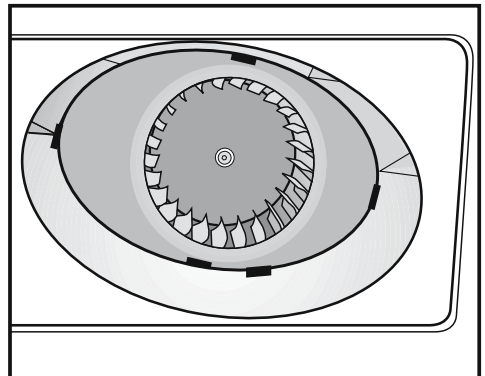


- Clean the cover for the air flow area and the filter with a damp cloth.
- Put the cover aside.

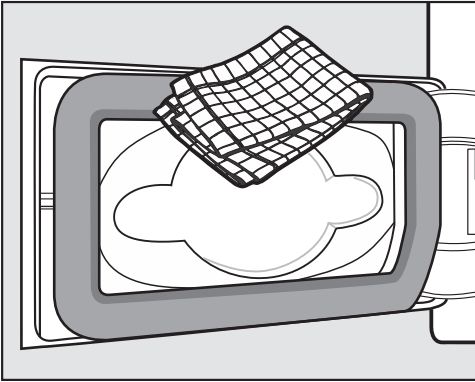


- You can use a vacuum cleaner to remove fluff.

The fan impeller inside the tumble dryer may be clogged with detergent residue and fluff.

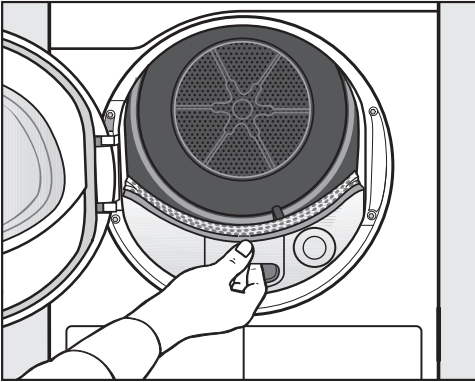


- Using a damp cleaning cloth, carefully remove
 - ... the coating on the fan impeller.
 - ... the fluff from the area in front of the fan impeller.

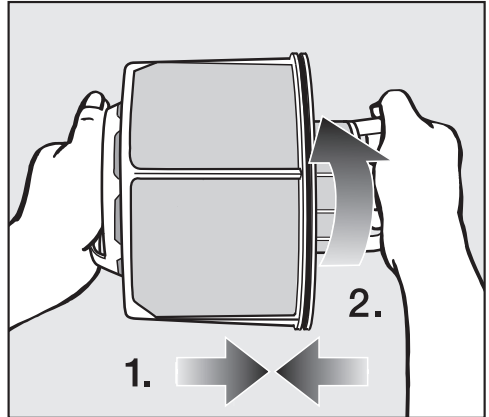


- Use a damp cloth to remove any fluff. Make sure that you do not damage the rubber seal when doing this.

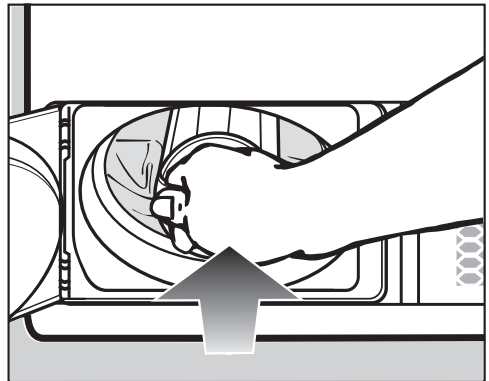
Assembling and refitting the filters



- Push the air flow area cover back in.

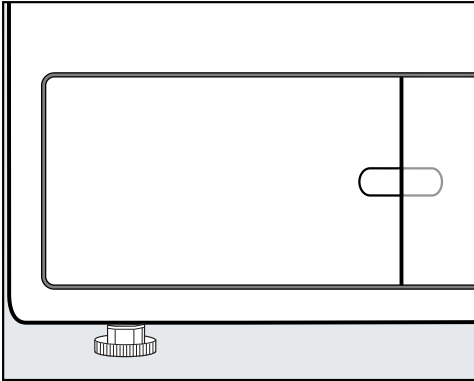


- Insert the inner part of the plinth filter into the outer part (1).
- Turn the inner part of the filter clockwise slightly until you feel it click (2).



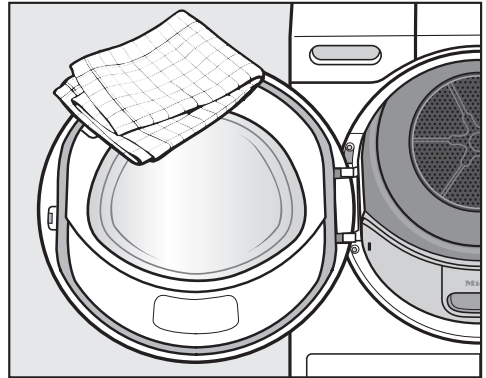
- Push the plinth filter in completely until it engages.

Cleaning and care



- Close the fluff filter flap.


The filter must be inserted correctly and the fluff filter flap must be closed to ensure the system is sealed and that the tumble dryer will function correctly.




- Clean the dryer and the seal on the inside of the door only with a slightly damp, soft cloth and mild detergent or soapy water.
- Dry all parts with a soft cloth.
- The drum and other stainless steel parts can be cleaned with a suitable stainless steel cleaner following the manufacturer's instructions.

Cleaning the dryer

Disconnect the dryer from the electricity supply.

 Damage due to the use of unsuitable care products. Unsuitable care products can damage plastic surfaces and other parts. Do not use solvents, abrasive cleaners, glass cleaners or all-purpose cleaners.



 Risk of electric shock due to water. If water runs over or into the tumble dryer, there is a risk of electric shock. Never spray the tumble dryer with water. Only ever clean the appliance with a slightly damp, soft cloth.

Many malfunctions and minor faults that can occur in daily operation can be corrected without contacting Miele. This will save you time and money because you will not need a service call.



You can find information on how to remedy faults yourself at www.miele.com.au/service or www.miele.co.nz/service and on the Miele website.

Please note, however, that a call-out charge will be applied to unnecessary service visits where the problem could have been rectified as described in these operating instructions.

Programme cancellation and fault messages in the display

Message	Possible cause and remedy
 The drum is empty or the laundry is too dry	<p>In some programmes, if the drum has been underloaded or is empty, the programme will be cancelled. This can also happen if the items are already dry. This is not a fault or a malfunction.</p> <ul style="list-style-type: none">■ Open the door and check the laundry.■ Add or remove laundry.■ Close the door.■ Start a drying programme. <p>Use the <i>Warm air</i> programme to dry individual items.</p>
 Obstruction detected. Untangle laundry and restart.	<p>The laundry is unevenly distributed or has rolled up.</p> <ul style="list-style-type: none">■ Open the door and loosen the laundry. Take out some of the laundry.■ Close the door.■ Start a drying programme.

Problem solving guide

Message	Possible cause and remedy
 <p>Rinse the fluff filter and plinth filter. Check the airways.</p>	<p>You have attempted to dry only a few items of varying size. A smaller item has been sucked into the loading area in the door. It is clogging the holes in the laundry deflector.</p> <ul style="list-style-type: none"> ■ To delete the message: touch the OK sensor. ■ Open the tumble dryer door. ■ Always dry small, individual items together with larger items. ■ Remove the item that is blocking the holes. <p>If you are able to exclude all this, the system has been clogged by fluff or detergent residue.</p> <hr/> <p>The system is clogged by fluff or detergent residues.</p> <ul style="list-style-type: none"> ■ Clean the filters and the airways. ■ Check the ducting to make sure the drying air can be extracted without any obstructions. <p>Please see "Cleaning and care" for notes on cleaning. Always replace a damaged fluff filter.</p> <ul style="list-style-type: none"> ■ To delete the message: touch the OK sensor.
 <p>Fault F. If restart fails, call Miele.</p>	<p>There is no obvious cause for the cancellation of the programme.</p> <ul style="list-style-type: none"> ■ Follow the prompt in the display. ■ Touch the OK sensor. ■ Start a drying programme. <p>If the programme terminates again with the same error message, then there is a fault. Contact Miele.</p>

Messages in the display

Message	Possible cause and remedy
<p>i Close the fluff filter compartment</p>	<p>The fluff filter flap for the plinth filter is open.</p> <ul style="list-style-type: none"> ■ Close the fluff filter flap. <p>The message will go out.</p> <hr/> <p>Never open the fluff filter flap while the programme is running. Opening the fluff filter flap during an active programme interrupts the airflow. The programme will also be cancelled. If the airflow is interrupted, the tumble dryer cannot discharge the hot air quickly enough. This safety feature of the tumble dryer can switch off the dryer permanently. If this happens, contact Miele.</p>
<p>i Clean the filters</p>	<p>The message lights up after a specific period of time following the end of a programme.</p> <ul style="list-style-type: none"> ■ Clean the filters. ■ Check and clean the air flow area. <p>Please see "Cleaning and care" for notes on cleaning.</p> <ul style="list-style-type: none"> ■ To delete the message: open the fluff filter flap for at least 10 seconds while the tumble dryer is switched on. <hr/> <p>You can set an hourly interval for this reminder. The hourly interval depends on how much fluff tends to build up and how often you wish to clean the filter, e.g. for hygiene purposes.</p> <p>See "Supervisor level – Process technology – Clean the filters" for more information.</p>
<p>i Clean the fluff filter and rinse the plinth filter.</p>	<p>This information is displayed at the end of the programme if the tumble dryer is not working correctly or economically.</p> <p>The fluff filters may be clogged.</p> <ul style="list-style-type: none"> ■ Clean the filters. ■ Check and clean the air flow area. <p>Please see "Cleaning and care" for notes on cleaning.</p> <ul style="list-style-type: none"> ■ To delete the message: open the fluff filter flap for at least 10 seconds while the tumble dryer is switched on.

Problem solving guide

Message	Possible cause and remedy
i Power outage. Programme stopped.	There has been an interruption to the power supply. <ul style="list-style-type: none"> ■ When power is restored, you need to confirm with OK. ■ Touch the <i>Start/Stop</i> sensor.
Finish/Cooling down	There is no fault, but the drying process continues. The laundry is still being cooled. The programme is just about to end. <ul style="list-style-type: none"> ■ Either remove the laundry and spread it out to cool down or leave it in the tumble dryer to cool down during the cooling phase.

Unsatisfactory drying result

Problem	Possible cause and remedy
The laundry is not sufficiently dry.	The load consisted of different types of fabric. <ul style="list-style-type: none"> ■ Finish drying using the <i>Timed drying warm air</i> programme.
Large items of laundry have rolled up, causing a problem. The individual items of laundry are still damp.	The laundry could not be untangled in the programme you selected. Smaller items have rolled up into one. <ul style="list-style-type: none"> ■ Untangle the laundry. ■ Select the <i>Large items</i> programme.
	If the <i>Large items</i> programme does not appear in the display for selection, you can activate it later. How to activate a programme subsequently is described in “Supervisor level – Opening the Supervisor level” and “Programme selection/ Programme packages”.
Laundry or feather filled pillows smell after drying.	The laundry was washed with insufficient detergent. Feathers are a natural product and may develop odours when exposed to heat. <ul style="list-style-type: none"> ■ Laundry: Wash with sufficient detergent next time. ■ Pillows: Take out of the tumble dryer and aerate.
Items made of synthetic fibres are charged with static electricity after drying.	Synthetic fibres tend to attract static charge. <ul style="list-style-type: none"> ■ Static charge can be reduced by adding fabric softener to the final rinse in the washing programme.

Problem solving guide

Problem	Possible cause and remedy
Fluff is caused by tumble drying.	<p>Fluff is principally the result of friction when garments are being worn and to some extent when they are being washed. Tumble drying hardly causes any fluff to form.</p> <p>Fluff is collected by the fluff filters and fine filters and can easily be removed.</p> <p>■ See “Cleaning and care”.</p>

The drying process takes a long time.


Problem	Possible cause and remedy
The drying process goes on for too long or even switches off.*	<p>You may be asked again to clean the air channels/ filters.</p> <p>■ Check all of the possible causes described below.</p>
	<p>Detergent residues, hair and fine fluff can clog the filter.</p> <p>■ Clean the filters (see “Cleaning and care”).</p> <p>■ Clean the air flow area.</p> <p>■ You can remove the cover in the drum loading area to clean the air flow area underneath.</p>
	<p>The ducting or its openings are clogged, e.g. with hair or fluff.</p> <p>■ Regularly check and clean all components of the ducting (e.g. wall pipe, external grille, bends, elbows, etc.).</p>
	<p>The air supply is not adequate in small, unventilated rooms.</p> <p>■ While drying, open the door or a window for ventilation.</p>
	<p>The laundry is too damp.</p> <p>■ Spin the laundry using a higher spin speed in the washing machine.</p>
	<p>The drum has been overloaded.</p> <p>■ Do not exceed the maximum load for the programme selected.</p>
	<p>Metallic components, e.g. zippers, have prevented the dryer from registering the correct moisture level.</p> <p>■ Open the zippers next time.</p>

Problem solving guide

Problem	Possible cause and remedy
	<ul style="list-style-type: none"> ■ If the problem occurs again, dry these items using the <i>Timed drying warm air</i> programme.

* Switch the tumble dryer off and on again after a short waiting period before starting a new programme.

General problems with the tumble dryer

Problem	Possible cause and remedy
Condensation is forming in the drum.	<p>The tumble dryer is installed on a shared exhaust air duct.</p> <ul style="list-style-type: none"> ■ The tumble dryer must always be installed with a non-return flap when using a shared exhaust air duct. ■ Check the non-return flap for possible defects on a regular basis and replace it if necessary.
The interior drum lighting does not come on.	<p>To save energy, the drum lighting goes out automatically after a set time and after the programme starts.</p> <ul style="list-style-type: none"> ■ Switch the tumble dryer off and then on again. ■ To switch the drum lighting on, open the door of the tumble dryer.
	<p>The drum lighting is faulty. The drum lighting is designed to last a long time and should not normally need to be replaced.</p> <ul style="list-style-type: none"> ■ If you have tried everything but the drum lighting still does not come on, contact the Miele Professional Service Department.
The display is in a different language.	<p>A different language has been selected.</p> <ul style="list-style-type: none"> ■ Set the language you want. The flag symbol  serves as a guide.

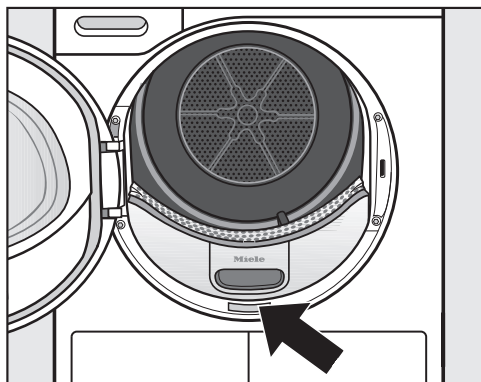
Contact in case of fault

In the event of any faults which you cannot remedy yourself, please contact Miele Professional Service.

You can book a Miele customer service call-out online at www.miele.com.au/professional. Contact information for Miele can be found at the end of this booklet.

Please quote the model and serial number of your appliance when contacting Miele. This information can be found on the data plate.

You can see the data plate when you open the door of your tumble dryer:

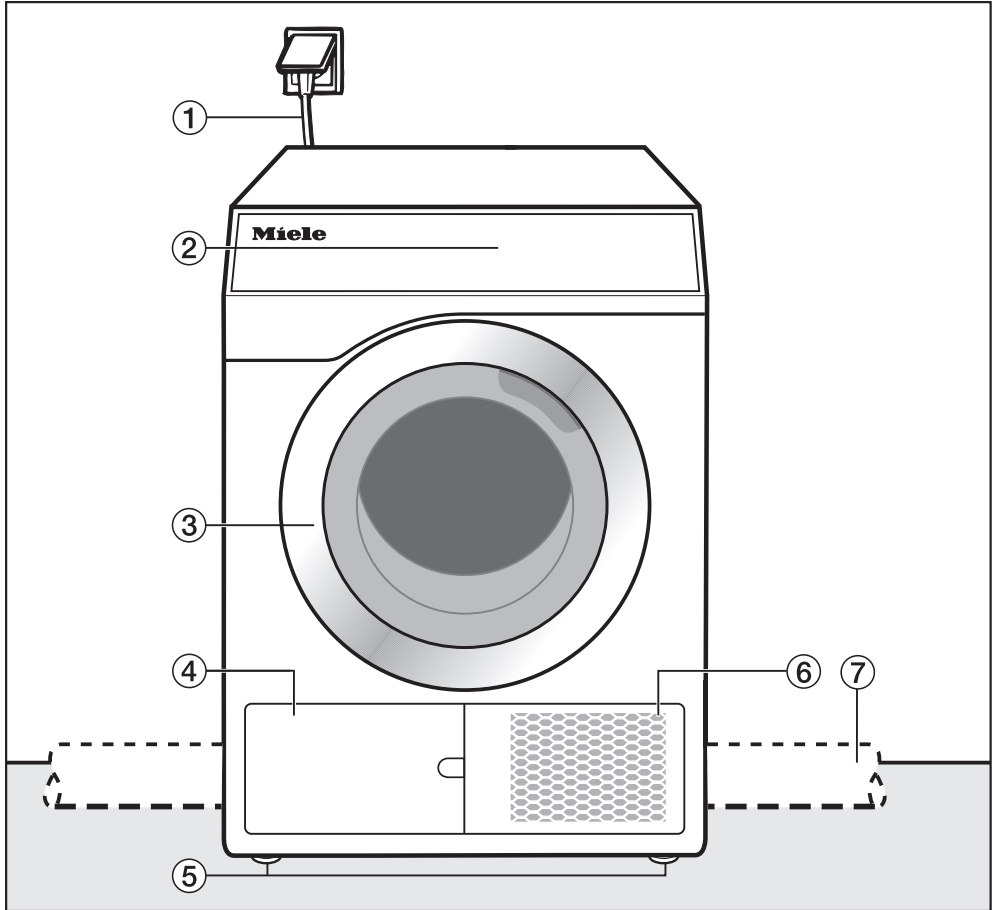


Optional accessories

Optional accessories for this tumble dryer are available from Miele (see contact details at the back of these instructions).

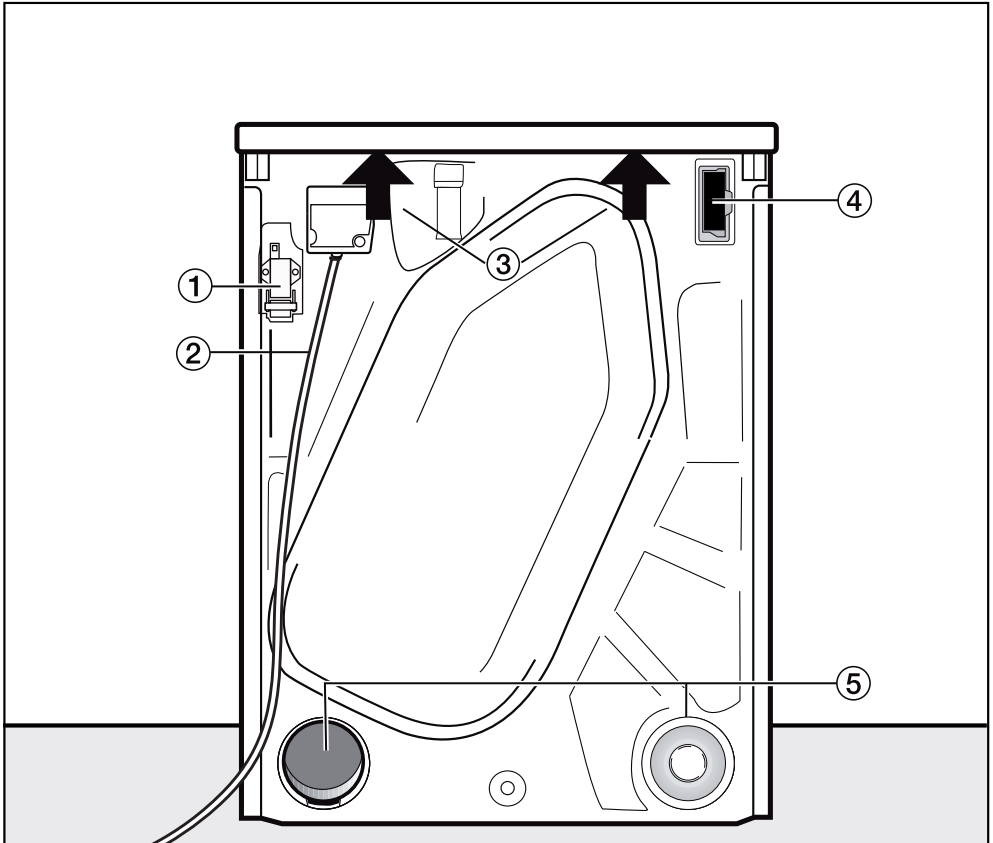
Installation

Front view



- ① Mains connection cable
- ② Control panel
- ③ Door
- ④ Fluff filter flap for the filter in the plinth
Do not open the flap during a running programme. Open only when a prompt appears in the display
Otherwise a technical fault may occur.
- ⑤ 4 height-adjustable screw feet
- ⑥ Intake for air cooling
- ⑦ On-site ducting (installed on the right or left rear side)

Rear view



- ① Interface for communicating with external devices
- ② Mains connection cable
- ③ Protruding lid for holding the appliance during transport
- ④ Module slot (for external communication module)
- ⑤ Exhaust air connections
 - Exhaust air connections not in use must be sealed with a cap

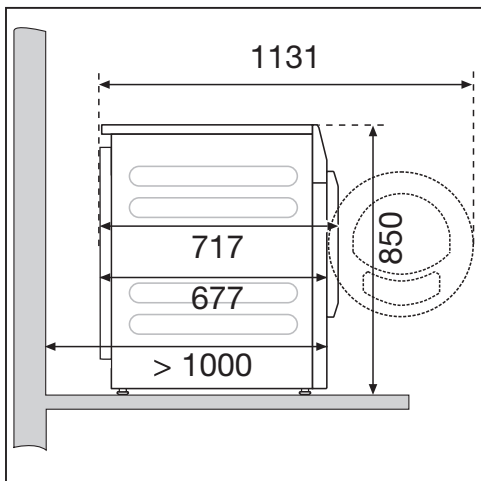
Installation

Installation locations

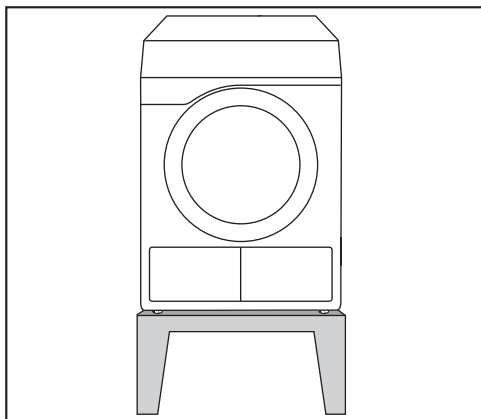
All measurements are in mm.

The distances between the machine and the wall are recommended for making service work easier. The machine may be pushed against the wall if installation conditions mean there is limited space.

Side view

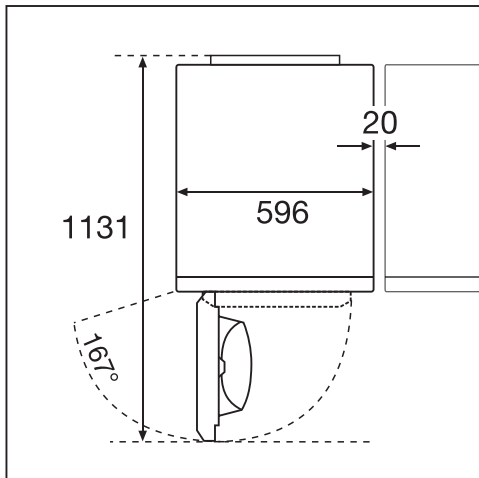


Steel plinth



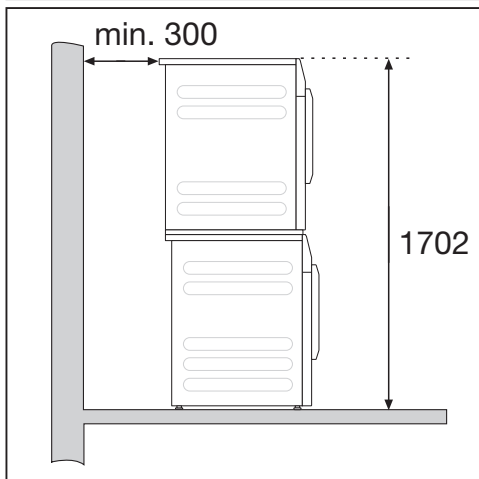
Steel plinth* (open or closed bases)

View from above



Washer-dryer stack


⚠ Installing the washer-dryer stack on a Miele plinth is not permitted.



A stacking kit* is required. This must be fitted by a Miele authorised service technician.

* Miele accessory available to order

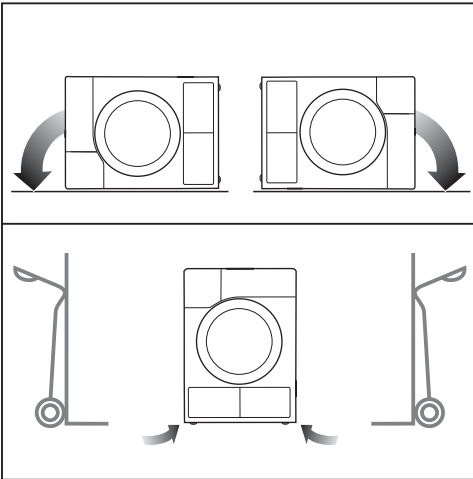
Transporting the dryer to its installation site

 Risk of damage from incorrect transport.

If the tumble dryer tips over, there is a danger of injury to people and damage to property.


Ensure that the tumble dryer is stable during transportation.

Transporting the tumble dryer



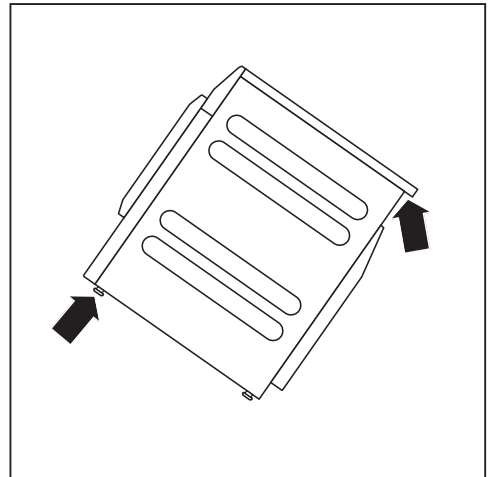
- If the tumble dryer is being transported horizontally, it must only be tipped onto its left or right side.
- If the tumble dryer is being transported upright and you are using a handcart or trolley, you must only transport it with its left or right side resting on the handcart or trolley.

Transporting the tumble dryer to its installation site

 Danger of injury due to unsecured lid.

The rear attachment of the lid may become brittle due to external circumstances. There is a danger of the lid being pulled off when carrying the appliance.

Before carrying the appliance, check that the lid is secure where it protrudes at the back.



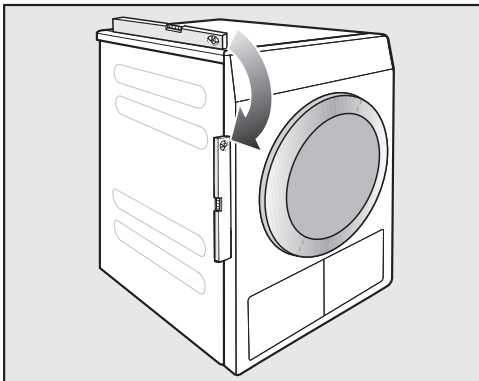
- Carry the tumble dryer by the front feet and by the lid where it protrudes at the back of the appliance.

Installation

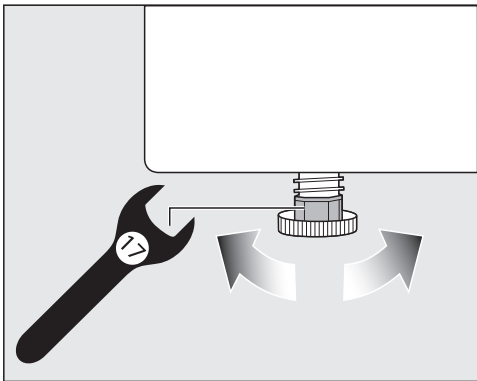
Installation

Ensure that no lockable door, sliding door or a door hinged in the opposite direction is installed in the pivoting range of the dryer door.

Levelling the dryer




The appliance must stand perfectly level on all four feet to ensure safe and proper operation.



The screw feet can be adjusted to compensate for unevenness in the floor.

This tumble dryer is not suitable for building under.

Never block the ventilation slots on the tumble dryer. Do not block the gap between the bottom of the tumble dryer and the floor with plinth boards, deep pile carpet etc. which could obstruct the openings. This would hinder a sufficient flow of air to the tumble dryer.

 Damage caused by incorrectly installed or missing ducting. Moist air from the dryer can cause damage in the room where the appliance is installed. Please observe the instructions in "Installation of the ducting".

External control equipment

An optional accessory unit has to be purchased to set up a connection with external systems:

- XCI box communication module (e.g for peak load control units or payment systems)
- XCI-AD communication adapter (for payment systems only)

Payment system

The dryer can be fitted with a payment system (optional accessory). This must be connected and programmed by a Miele Professional Service technician.


Coins/tokens must be removed from the coin box regularly. Otherwise, the payment system will become blocked.

Electrical connection

This description applies to tumble dryers both with and without a mains plug.

The following applies to tumble dryers with a mains plug:

- This tumble dryer is supplied with a mains cable with moulded plug.
- The electrical socket must be easily accessible so that the tumble dryer can be disconnected from the electricity supply.

 **Damage caused by incorrect supply voltage.**

The data plate indicates the nominal power consumption and the appropriate fuse rating.

Compare the specifications on the data plate with those of the mains electricity supply.

The dryer must only be connected to a permanent electrical system that conforms to the national and local codes and regulations.

Do not connect the machine via an extension lead or power board. They do not guarantee the required safety of the appliance (e.g. danger of overheating and fire).

If the appliance is hard wired, an all-pole disconnection must be provided on site. The means of disconnection must be incorporated in the fixed wiring in accordance with the wiring rules. When switched off, there must be an all-pole contact gap of at least 3 mm in the isolator switch (including circuit breakers, fuses, and relays according to AS/NZS 3000). This connection must be carried out by a qualified and competent electrician.

The plug connector or isolator switch should be easily accessible at all times.

 **Risk of electric shock!**

If the dryer is disconnected from the power supply, protective measures must be taken to ensure that the point of disconnection cannot accidentally be switched on again.

Make sure the isolator is lockable or the point of disconnection is monitored at all times.

New connections, modifications to the system, or servicing of the protective conductor, including determining the correct fuse rating, must be carried out by a qualified and competent electrician, as they are familiar with the pertinent regulations and the specific requirements of the electrical utility company.

If converting the dryer to an alternative voltage, ensure that the connection data on the data plate (voltage, frequency and fuse rating) match the mains electricity supply. Observe the instructions in the wiring diagram.

Conversion may only be performed by Miele Professional Service or a Miele authorised service technician.

The dryer must not be connected to devices such as timers which would switch it off automatically.

Installation of the ducting

General principles of exhaust air management

⚠ Damage caused by incorrectly installed or missing ducting. Moist air from the dryer can cause damage in the room where the appliance is installed. Please observe the instructions in "Installation of the ducting".

⚠ Inconveniences (odours) or damage (moisture) caused by improper installation of the ducting opening. The drying air can be bothersome or cause damage. Install the open end of the ducting where the exhaust air escapes far away from windows, doors or other openings.

While installing the ducting, keep the tumble dryer disconnected from the mains electricity supply.

Try to keep the ducting as short as possible and try to avoid too many tight bends or elbows. This will prevent a reduced dryer performance with long programme times and excessive time and energy consumption.

- **Ducting with a minimum diameter of 100 mm**
e.g. exhaust hose (made from plastic or aluminium)
- **Open end of the ducting**
e.g. wall pipe or window connection

General principles of the air supply

The air sucked into the appliance for the drying process is extracted from the ambient air. It must therefore be ensured that the room is sufficiently ventilated.

⚠ Risk of suffocation due to the use of fireplaces or other technical equipment in the area of influence of the installation room.

The tumble dryer extracts the air it needs to dry items from the room air. This could result in exhaust gases from fireplaces or technical equipment being drawn back into the appliance.

When drying, always apply measures to ensure sufficient room ventilation in accordance with these operating instructions.

Measures for sufficient room ventilation

- Open any windows wide.
- Install a window contact switch: The tumble dryer's electrical connection only switches when a window is open.
- Install a vent that cannot be closed in the outer wall: approx. 237 cm²

Calculating the total ducting length

The entire ducting system (including bends and components) generates air resistance that pushes against the exhaust air. The relative pipe lengths and total ducting length have to be calculated for this reason:

- The **A relative pipe length** (table I) indicates how much greater the air resistance of a bend is, for example, compared to 1 metre of a straight plastic pipe.
- Adding all of these relative pipe lengths together gives the **B total ducting length**. This is not the actual length but a calculated figure. The total ducting length (table II) represents the air resistance of the entire exhaust air system.

Because a larger **C pipe diameter** (table II) reduces the air resistance, a longer total ducting length requires a greater pipe diameter.

Procedure

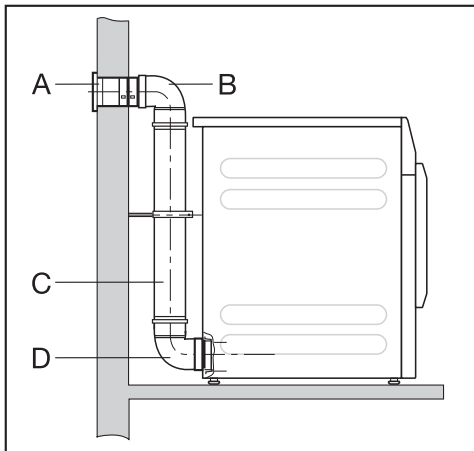
- 1 Measure the length needed for the straight sections of ducting. Multiply the length by the corresponding relative pipe length from **table I**.
- 2 Calculate the number of bends and elbows needed. Use **table I** to help you add together their relative pipe lengths.
- 3 Calculate the total length of the ducting: Add up all of the relative pipe lengths calculated under **1** and **2**.
- 4 Refer to **table II** for the pipe diameter needed for the total ducting length.

Table I	
Components	A Relative pipe length
Exhaust air hose (highly flexible)	
1 m, installed straight	1.8 m
45° bend (radius of bend = 0.25 m)	1.5 m
90° bend (radius of bend = 0.25 m)	2.5 m
Exhaust air hose (flexible or flexible aluminium) / plastic pipe	
1 m, installed straight/straight pipe	1.0 m
45° bend (radius of bend = 0.25 m)	0.6 m
90° bend (radius of bend = 0.25 m)	0.8 m
Wall pipe or window connection	
with inserted grate	3.8 m
with non-return flap (swinging flap)	1.5 m
Non-return flap for integration into the ducting	
(see "Shared exhaust air duct")	14.3 m
Flat ducting (for stacked installation)	
	11.0 m

Table II	
B Total ducting length	C Pipe diameter
maximum 20 m	100 mm
maximum 40 m	125 mm
maximum 80 m	150 mm

Installation of the ducting

Sample calculation



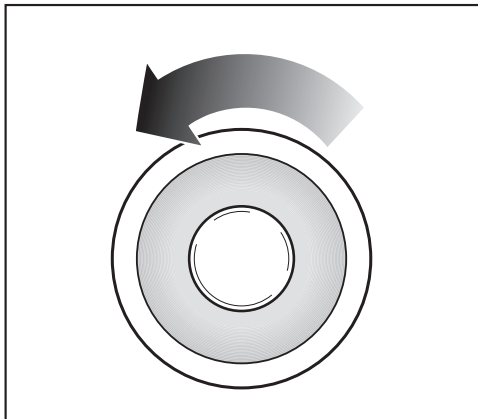
A	Wall pipe, with inserted grate		
	= 1 x 3.8 m relative pipe length	=	3.8 m
B/D	2 bends, 90° plastic pipe		
	= 2 x 0.8 m relative pipe length	=	1.6 m
C	0.5 m plastic pipe		
	= 0.5 x 1 m relative pipe length	=	0.5 m
	Total ducting length	=	5.9 m

Because the total ducting length is less than 20 m (according to table II), a pipe diameter of 100 mm will be sufficient.

Exhaust air outlets on the back of the tumble dryer

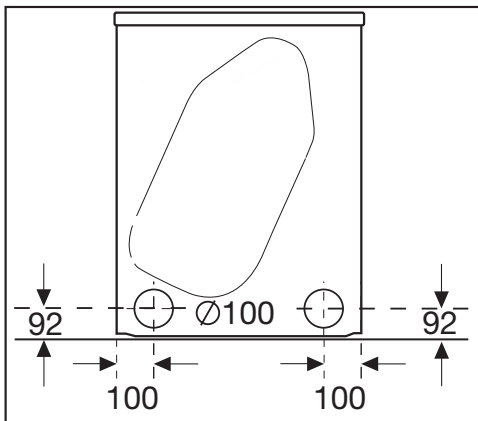
Sealing the air outlets

The ducting is installed on the right or left side of the tumble dryer's back panel. You must seal the unused connection with a cap.



- Turn the cap to the left to remove it.
- Press the cap firmly into the open air outlet.

Dimensions of the exhaust air outlets



All measurements in mm

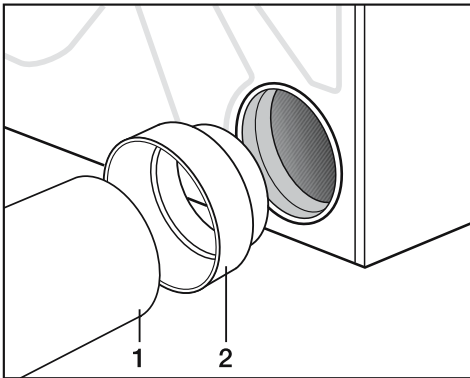
Installation of the ducting

Installing plug-in pipes

The tumble dryer is supplied with a connector for installing a pipe. It can be beneficial to use plug-in pipes if the total ducting length is long. A pipe generates less resistance against the exhaust air than a highly flexible exhaust air hose, for example. This has a positive effect on the time and energy needed for drying.

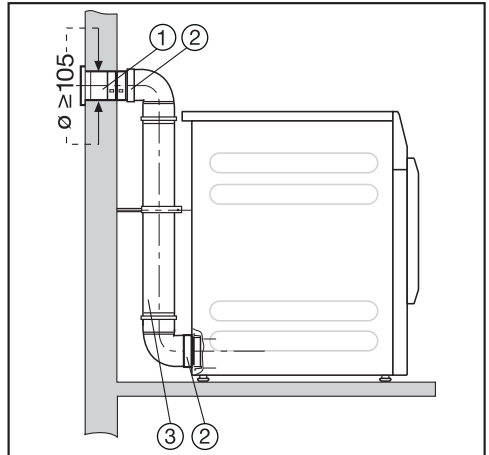
You will need

- the connector provided
 - a wall pipe or a window connection
 - a plastic pipe from a specialist retailer.
- If the required pipe diameter is over 100 mm, additional adapter pipes are needed for the pipe system (e.g. from 100 mm to 125 mm).



- Insert the connector (2) into the exhaust air outlet.
- Install the pipe (1).

Example



- ① Wall pipe
- ② Connector
- ③ Plastic pipe, diameter DN 100

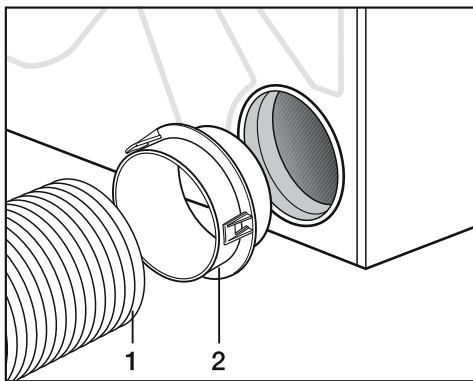
Installation of the ducting

Installing flexible hoses

You can install an exhaust air hose with the help of an adapter or flat ducting.

You will need

- an exhaust air hose (highly flexible, flexible, or flexible aluminium)
- an adapter or flat ducting (for a flexible exhaust air hose)
- a wall pipe or window connection

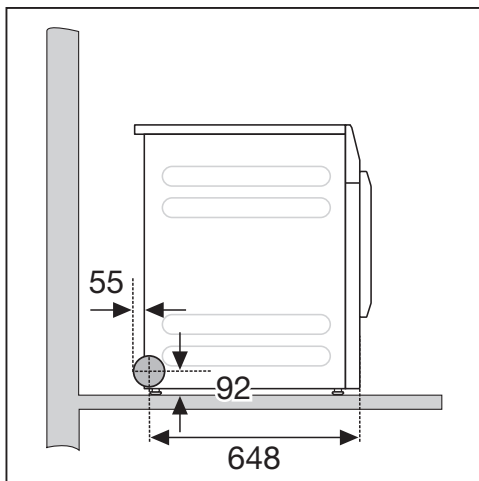
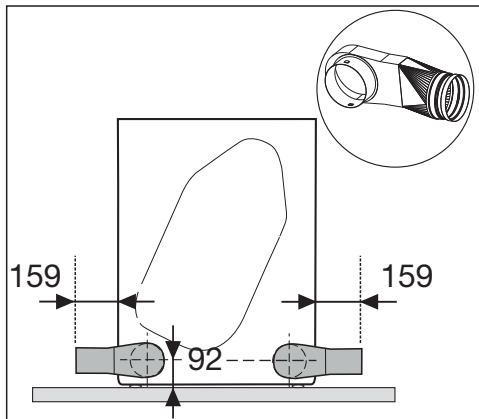


- Insert the adapter (2) into the exhaust air outlet.
- Install the exhaust air hose (1).

Flat ducting

Use the flat ducting to install the exhaust air hose onto the tumble dryer if there is no space to install it to the back.

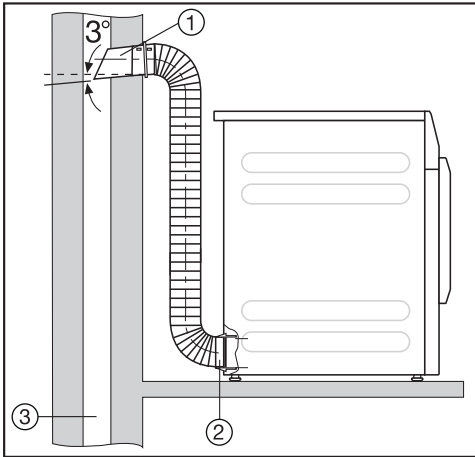
- Position the flat ducting at a slight angle as far as it will go.
- Rotate the flat ducting downward until it engages.



Installation of the ducting

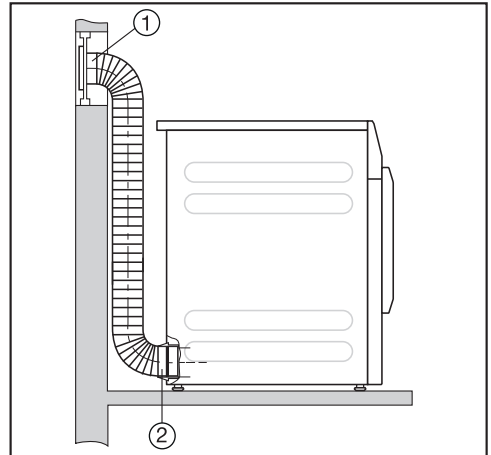
Examples

Connection to a ventilation stack

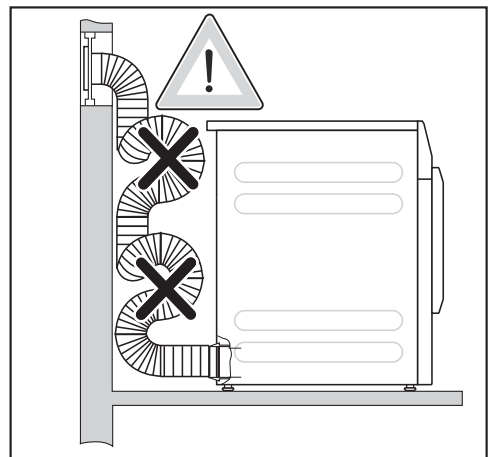


- ① Pipe with connector
- ② Adapter for a flexible exhaust air hose
- ③ Ventilation stack, moisture-proof

Window connection



- ① Window connection (inserted in a pane of Perspex)
- ② Adapter for a flexible exhaust air hose



Condensation may run into the tumble dryer.

Do not lay the exhaust air hose in loops. Cut the exhaust air hose to the required length.

⚠ Risk of toxic fumes due to the intake of poisonous exhaust gas. The tumble dryer extracts air for drying from the room where the appliance is installed. If the appliance is operated at the same time as fireplaces or other technical equipment in the area of influence in the installation room, toxic exhaust gases can be sucked back in. Exhaust air must not be vented into a chimney or vent flue which is otherwise in use and must not be channeled into ducting which ventilates rooms with fireplaces.

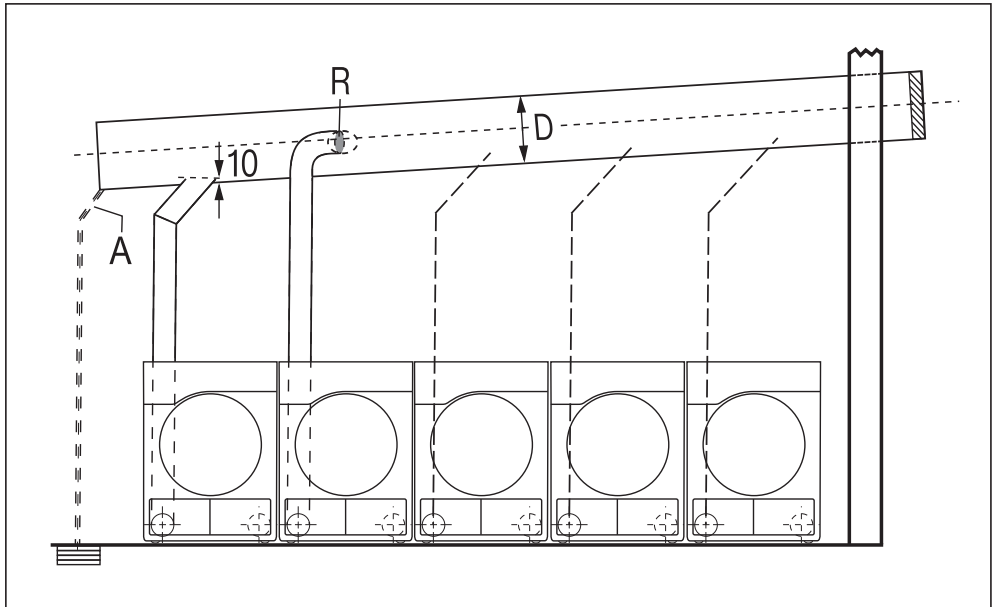
Installation of the ducting

Shared exhaust air duct

⚠ Damage and impairment to the tumble dryer and its electrical safety as a result of condensation.

Condensation in the shared exhaust air duct can flow back into the tumble dryer and cause damage.

Install the shared exhaust air duct onto the tumble dryer in accordance with these operating instructions.



A = Drain for condensation

A drain must be installed on the shared exhaust air duct.

R = Non-return flap

The non-return flap is installed directly on the shared exhaust air duct.

D = Pipe diameter

Depends on the number of tumble dryers installed

A maximum of 5 tumble dryers may be installed on a shared exhaust air duct.

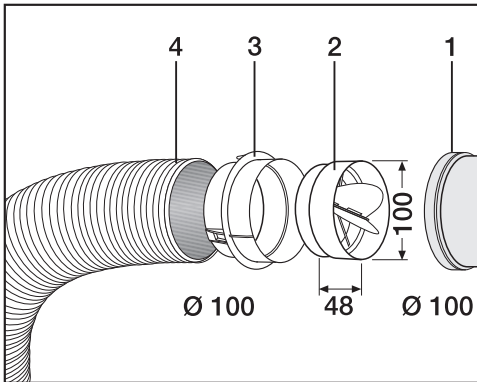
Installation of the ducting

Table “Pipe diameter for shared exhaust air ducts”

If 3–5 tumble dryers are installed on one shared exhaust air duct, the pipe diameter **D** must be increased.

Number of tumble dryers	Factor for increasing the pipe diameters from table II
3	1.25
4–5	1.5

The method for calculating the total duct length (table I) with the necessary pipe diameter (**table II**) is described in “Installation of the ducting” under “Calculating the total duct length”.



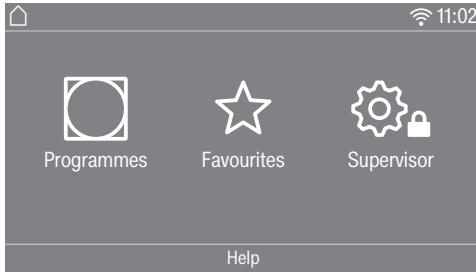
- ① Connection to the shared exhaust air duct
- ② Non-return flap
- ③ Adapter
- ④ Exhaust air hose, highly flexible


■ Press the non-return flap (2) all the way into the adapter (3).

Technical data

Height	850 mm
Width	596 mm
Width (for appliances with a stainless steel lid)	605 mm
Depth	717 mm
Depth with door open	1131 mm
Weight	52 kg
Drum volume	130 l
Load size	8 kg (weight of dry laundry)
Length of connection cable	2000 mm
Supply voltage	See data plate on back of machine
Rated load	See data plate on back of machine
Fuse rating	See data plate on back of machine
Test certificates awarded	See data plate on back of machine
LEDs	Class 1
Max. floor load during operation	670 N
Product safety standard	AS/NZS 60335
A-rated sound emissions L_{pA} in accordance with EN ISO 11204/11203	<70 dB re 20 μ Pa
Frequency band	2.4000 GHz – 2.4835 GHz
Maximum transmission power	< 100 mW

Opening the Supervisor level



Touching the  sensor takes you to the Supervisor level.

Access via code

A code is needed to access the Supervisor level.

Factory default: the code is **000**.

Change code

You can change the Supervisor level access code to protect the tumble dryer from unauthorised access.

Carefully enter a new code.
You will need to inform Miele if you have forgotten your new code. Miele will have to reset the code.
Make a note of your new code and store it in a safe place.

Demo programme

In showrooms, a Demo programme can be started with a simulation.

The programme does not start. The operational sequence is simply a simulation.

Useful tip: The Demo programme will only be available if a drying programme lasting more than 1 hour has not been carried out. After this, the Demo programme will not be available.

Closing the settings menu

■ Touch the  sensor.

The display will go back to the previous menu level.

■ Touch the  sensor.


The display will switch to the main menu.

Controls / Display

Language

The display can be set to appear in one of several different languages. To select the language you want, go to the *Languages* submenu.

You can change the language as follows:


- Permanently: in the Supervisor level (= "Supervisor language").
- Only for the duration of the current programme: via the  sensor. The supervisor language is displayed again at the end of the programme.

Supervisor level


Language entry

The display can be set to one of several different user languages. This setting allows you to determine how languages can be selected.

You can change the language as follows:
International


6 languages are available. The  sensor is not active. Note the setting Set languages.

Language setting

The  sensor can be used to select a language. All languages are available (factory setting).

You can change the order of the first 4 languages. These slots are allocated to the most commonly used languages.

Standard language

The user language cannot be changed. The user language is the same as the supervisor language. The  sensor is not active.

Set languages

The languages for the setting Language entry International can be changed.

6 languages can be selected. All languages are available.

If you wish to add a new language to the language menu:

- First select the language you want to replace.

All available languages are displayed.

- Select and confirm the language that is to replace the previous language.

The new language will appear in the place of the old one.

Display brightness

The brightness of the display can be altered. The setting depends on the various lighting conditions in the place of installation.

- It can be set to one of 10 different levels.

Time

After selecting the clock format, you can set the time of day.

Clock format

- Factory setting: 24-hour display
- 12-hour display
- No clock

Set

- The time can be set.

Date

The date can be set after selecting the date format.

- Date format

The date can be shown starting with the day, month, or year.

- Date

The date is set.

Volume

The volume for various signal tones can be changed.

The volume can be changed.

- Finish tone
- Keypad tone
- Welcome tone
- Fault alarm
The acoustic signal that indicates a fault can be switched off. The volume cannot be changed for this.

Res. moisture display

In addition to displaying the drying level, the residual moisture can also be indicated as a percentage.

- Factory default: without percentages
- With percentages

Visibility parameters

Various parameters are offered/ displayed when a programme is selected. You can decide which parameters should not be displayed. These parameters can then not be edited during programme selection.

- Residual moisture
- Duration
- Low temperature
- Anti-crease
- Load size

Supervisor level

“Display” off status

The display switches off to save energy; only the *Start/Stop* sensor flashes slowly. This can be changed.

Changing this setting leads to increased energy consumption.

- *Off*
Not switching off
- *On (10 min.) Not curr.prog.*
The display will remain on while the programme is running but will go out 10 minutes after the end of the programme.
- *Logo (10 min.) Not curr.prog.*
The display will remain on while the programme is running but the logo will light up 10 minutes after the end of the programme.
- Factory setting: *On after 10 min.*
The display switches off after 10 minutes.
- *On (30 min.) Not curr.prog.*
The display will remain on while the programme is running but will go out 30 minutes after the end of the programme.
- *Logo (30 min.) Not curr.prog.*
The display will remain on while the programme is running but the logo lights up 30 minutes after the end of the programme.
- *On after 30 min.*
The display will go out after 30 minutes.

“Machine” off status

In order to save energy, the tumble dryer will switch off automatically after the end of the programme or if no further selection is made. This can be changed.

Changing this setting leads to increased energy consumption.

- Not switching off
- Factory setting: Switching off after 15 minutes
- Switching off after 20 minutes
- Switching off after 30 minutes

Delay start

The delay start (Timer) can be activated or deactivated.

- Factory setting: Off
- On

SmartStart (only available in selected countries)

The function of Delay start changes when the *SmartGrid* setting is activated. The period of time in which the drying programme will start automatically is then shown in the display: *SmartStart by*, *SmartStart in*, or *SmartFinish by*.

The programme is started via an external signal.

The time period can be defined up to 24 hours. During this period, the tumble dryer waits for an external signal. If no signal is sent during the defined period, the tumble dryer starts the drying programme once the defined period of time has elapsed.

Memory

The tumble dryer saves the settings that were last selected for a drying programme (drying level and/or Extras, or the duration for some programmes).

- Factory setting: Off
- On

Temperature unit

You can select the unit for the temperature display.

- Factory setting: °C / *Celsius*
- °F / *Fahrenheit*

Weight unit

You can decide whether load quantities are displayed in “kg” or “lb”.

- Factory setting: kg
- lb

Logo

You can choose whether the “Miele Professional” logo or your own logo appears in the display.

Supervisor code

You can change the Supervisor level access code to protect the tumble dryer from unauthorised access.

- Enter the existing code.
- Then enter your new code.

Supervisor level

Programme selection

Controls

You can select whether the tumble dryer is operated as a “laundrette” machine. Shortcuts are the easiest way to operate the machine. Operators cannot change the preset programmes.

Useful tip: Start by configuring all necessary settings and changes to the tumble dryer before adjusting any of the options below.

Caution: When activating any of these options, the Supervisor level will no longer be available. You will no longer be able to access the Supervisor level via the display. Please follow the instructions below if you wish to change any other settings.

Opening the Supervisor level (laundrette mode)

- Switch the tumble dryer on and open the dryer door.
- ① Touch the *Start/Stop* sensor and hold it down while carrying out steps ②–③.
- ② Close the tumble dryer door.
- ③ Wait until the *Start/Stop* sensor, which will now be flashing quickly, lights up constantly ...
- ④ ... then release the *Start/Stop* sensor.

- *Standard*

Factory setting: All (selected) programmes are available.

- *Laundrette, basic*

12 programmes are available.

Under *Favourite programmes*, you can set which or how many programmes can be selected/modified.

- *Laundrette Logo*

12 programmes are available.

Under *Favourite programmes*, you can set which or how many programmes can be selected/modified.

The first 3 programmes can be selected directly. The remaining programmes are selected via another list.

- *Laundrette Logo ext. time*

4 timed programmes* with different temperature levels are time-controlled via an external payment system. The maximum laundry weight is 8 kg.

The set value indicates the running time and cannot be modified by the user.

This option is only available with an external payment system.

* The maximum running time is specified during initial commissioning.

- *Launderette Logo int. time*

4 timed programmes* with different temperature levels are time-controlled via the tumble dryer electronics. The maximum laundry weight is 8 kg.

The set value indicates the maximum running time and can be modified by the user.

* The maximum running time is specified during initial commissioning.

- *External prog. selection*

A communication module can be used to select the programme from an external terminal.

Programme packages

This allows you to specify the scope of the tumble dryer programme. You can select all of the programmes or individual programmes from the relevant programme packages.

The programme packages are described in detail in the “Programme chart”.

Favourite programmes

After switching on, you can also select a programme via: ☆ Favourites. 12 programmes can be stored as favourite programmes based on your own priorities and requirements.

These favourite programmes will also be made available in the control options

- *Launderette Logo*

- *Launderette, basic*

You can specify the control options under *Controls*.

Useful tip: You can assign a different colour to each programme. In this case, the Prog. colour allocation setting must be set to *On*.

Changing Favourite programmes

- Select the programme you wish to change or replace.
- Confirm the programme or the setting to be changed.

Another menu opens, enabling you to select a new programme or change the parameters.

- Confirm with the *Save* sensor.

Your selection is now active.

Supervisor level

Reducing the number of Favourite programmes

You can reduce the number of Favourite programmes by “deactivating” each one individually.

- Select the programme you wish to deactivate.
- Confirm the programme.
- Select <empty> from the list instead of a programme.

The selection in the ☆ Favourites and the selection in the Launderette, basic and Launderette Logo control option is reduced.

Once a programme has been deactivated, ∅<empty> is displayed in its place. You can add a programme again at any time.

Changing the sequence of Favourite programmes

You can change the sequence of Favourite programmes by moving the programmes around.

- Touch the programme that you wish to move.

An orange border appears around the selected programme.

- Touch the programme with your finger and keep your finger pressed down.
- Drag the programme to the required position.

Special programmes



You can put together 5 special residual moisture or time-controlled programmes and assign your own programme names.

First, enter the programme name.

- Select the special programme you want to change.

The **Save as** menu opens.

- Use the letters and symbols below the line to enter the name.
- Touch the **Save** sensor.

You can now enter the parameters for a  Res. moisture programme or  Timed drying.

The 5 special programmes are pre-programmed at the factory, see “Supervisor level”. You can change these special programmes.

The special programmes are added to the programme packages. Enter the names and settings of your special programmes into the “Special programmes” table at the end of the “Programme chart”.

Res. moisture programme

- Final residual moisture:
 - 6% (dry) – 40% (damp)
- Extra drying time:
 - 0 – 60 minutes
- Temperature (Process air):
 - cold – 60°C
- Holding phase
 - Holding time:
 - 0 – 60 minutes
 - Holding temperature (Process air):
 - cold – 60°C

- Cooling down temp. (Process air):
 - 40 – 55°C
- Anti-crease
 - Drum rotation main direction:
 - 0 - 500 seconds
 - Pause:
 - 100 - 3000 seconds
 - Drum reversal:
 - 0 - 500 seconds

Timed drying

- Running time:
 - 1 – 120 minutes
- Temperature (Process air):
 - cold – 60°C
- Cooling down temp. (Process air):
 - 40 – 55°C
- Anti-crease
 - Drum rotation main direction:
 - 0 - 500 seconds
 - Drum reversal:
 - 0 - 500 seconds
 - Pause:
 - 100 - 3000 seconds

Supervisor level

Sort programmes

Programmes can be moved within the programme list and in the Favourites list.

- Factory setting: Off
- On
- Select the “On” option.
- Exit Supervisor level.
- Select Programmes.
- Touch the programme that you wish to move.

An orange border appears around the selected programme.

- Touch the programme with your finger and keep your finger pressed down.
- Drag the programme to the required position.

Prog. colour allocation

You can assign a specific colour to a favourite programme. In the list of favourites, each favourite programme is given a coloured frame, which can be selected.

- Factory setting: Off
- On

Process technology

Anti-crease

At the end of the programme, the drum will continue to rotate at intervals if the laundry is not removed immediately.

Changing this setting leads to increased energy consumption.

The setting (⌘) can be switched off or set to a time between 1 and 12 hours.

Factory setting: Off

Drying levels

Changing this setting leads to increased energy consumption.

You can alter the drying levels for the *Cottons*, *Minimum iron*, and *Automatic plus* programmes.

They can be set to one of 7 different levels.

Factory setting: Normal

The *Machine iron* drying level in the *Cottons* programme can be individually adapted.

You can change the residual moisture in this programme to one of 11 levels from 16% (drier) to 26% (damper).

Factory setting: 20%

Further cooling

Before the end of the programme, the temperature of the dried laundry is monitored and the cooling phase at the end of the programme is extended if necessary.

Changing this setting leads to increased energy consumption.

- Factory setting: Off
- On

Cooling down temperature

The laundry will be cooled down automatically before the end of the programme. The automatic cooling-down phase which takes place before the end of a programme can be set at a cooler level for all programmes. This means that the cooling phase is extended.

Changing this setting leads to increased energy consumption.

The setting can be changed from 40°C–55°C.

Factory setting: 55°C

Service

Clean out the airways

The tumble dryer's electronics calculate the degree at which fluff or detergent residue in the fluff filters and air ducts are impairing performance. A message to check them appears. You can decide at what level of fluff this reminder should be displayed.

This prompt, which you can configure, is displayed: Clean the fluff filter and rinse the plinth filter.

- Off
The reminder does not appear. However, if there is a very severe blockage in the ducting, the programme will be cancelled and the reminder will appear in the display regardless of this option.
- Heavy
The reminder only appears when there is a heavy build-up of fluff.
- Factory setting: Normal
- Sensitive
The reminder appears when there is only a small build-up of fluff.

Supervisor level

Clean the filters

The fluff filter in the air duct area must be cleaned on a regular basis. You can set an hourly interval for the reminder.

The selected hourly interval depends on how much fluff tends to build up and how often you wish to clean the filter, e.g. for hygiene purposes.

You can adjust this reminder: Clean the filters

- Time interval of 5–55 hours
- Factory setting: after 55 hours
- Off

Service interval

The tumble dryer shows a custom message at a selected interval to prompt you to undertake specific maintenance tasks.

3 different messages can be created: 1/2/3. Each message is created in the language and alphabet of the current supervisor language.

Your message is displayed at the end of the programme and can be acknowledged with OK. The same message appears at the end of the next programme.

Settings

This setting allows you to determine the interval (by hours or date) at which the message appears.

- Factory setting: Off
- by time
You can select a time interval between 1-9999 hours.
- by date
You can enter a date.

Message text

Enter your individual message text for your planned maintenance work. You can edit one, two, or all three of the 1/2/3 messages.

Reset display

The message will appear until the display is permanently reset. The message then only appears again when the next interval is reached.

External applications

External exhaust flap

External hardware is connected via the Miele XCI box.

The time delay between the external exhaust air flap's activation point and the switch-on time for the drum/fan motor is regulated.

A message appears in the display while the exhaust air flap is open.

- Factory setting: Off

This option must always be selected if there is no exhaust air flap to activate. This prevents the programme from being cancelled.

- On

- 0 seconds

- 1 second

- 2 seconds

...

- 300 seconds

Additional fan

External hardware is connected via the Miele XCI box.

If an extra fan is connected, it must be switched on at the same time as the drive unit.

- Off

- On

Pressure sensor

External hardware is connected via the Miele XCI box.

When using a shared exhaust air duct, one tumble dryer may have to be switched off or suppressed from the outset if certain pressure levels have built up in the ducting. Because the pressure sensor is an external unit, there is the option to add both a normally open contact or a normally closed contact.

A message appears in the display while the exhaust air flap is open.

- Off = Not active

- Normally open contact = Active
Responds to **high potential**

- Norm. closed contact = Active
Responds to **low potential**

Supervisor level

Peak load signal

External hardware is connected via the Miele XCI box.

The peak-load negotiation function enables the tumble dryer to be connected to an energy management system. When a signal is registered, the tumble dryer's heater is switched off for a short period or the appliance is prevented from being switched on. The tumble dryer may only be operated with a peak-load system if this system is connected to the tumble dryer via the Miele XCI Box.

- Factory setting: No function
- Peak load with 230 V
- Peak load with 0 V
- COM module

Peak load prevention

With this function, the application of a hygiene programme is not amended when a peak load signal is in place. The heater stays switched on.

- Factory setting: Off
- On

COM module selection

This tumble dryer is equipped with an integrated Wi-Fi module. However, the tumble dryer can also be equipped with an external module.

- Off
- Internal module (factory default)
The internal Wi-Fi module is used.
- External module
An XKM module or RS232 module is inserted into the module slot.

Availability of Miele digital products

The ability of Miele digital products depends on the availability of the services in your country.

The different services are not available in all countries.

For information about availability, please visit www.miele.com.

Wi-Fi / LAN

Control the networking of your tumble dryer.

- Setup
This message only appears if the tumble dryer has not yet been connected to a Wi-Fi network.
- Deactivate (visible when the network is activated)
The network remains set up; the Wi-Fi function is switched off.
- Activate (visible when the network is deactivated)
The Wi-Fi function is reactivated.
- Connection status (visible when the network is activated)
The following values are displayed:
 - the quality of Wi-Fi reception
 - the network name
 - the IP address
- Reset (visible if set up)
Resets the Wi-Fi login (network) to immediately re-establish a new connection.
- Reset (visible if set up)
The network is no longer set up. To use the network again, a new connection must be established.
 - The Wi-Fi is switched off.
 - The Wi-Fi connection will be reset to the factory default setting.

Wi-Fi setup

There are 2 possible connection methods.

Via WPS

- Activate the WPS function on your router within 2 minutes.

Useful tip: If the connection has not been set up when the timeout has finished counting down, repeat the process.

Via Soft AP

- Activate the function with the Miele App on your smart device within 10 minutes.

Useful tip: The App will guide you through the remaining steps.

Supervisor level

Network time

The date and time can be synchronised via the network.

- Off

The date and time are not synchronised via the network.

- as a master

The machines are in a network but are not connected to the internet. One machine is declared as the master and sends data to the *slave* devices.

- as a slave

The machines are in a network with internet connection. All machines are configured as *slaves*. Data is synchronised over the internet.

Remote

Programmes are selected on an external terminal.

- Factory setting: On

- Off

Remote Update

(only available in selected countries)

The RemoteUpdate function is used for updating the software in your tumble dryer.

RemoteUpdate is activated at the factory.

If you do not install a RemoteUpdate, you can continue to use your tumble dryer in the usual way. However, Miele recommends installing remote updates.

Activation

The RemoteUpdate menu option is only displayed and can only be selected if you have added your tumble dryer to your Wi-Fi network.

Miele's RemoteUpdate function can only be used if the tumble dryer is connected to a Wi-Fi network and you have an account in the Miele Professional App. The tumble dryer must be registered in the App.

See the Miele Professional App for terms and conditions of use.

Some software updates can only be carried out by a Miele service technician.

Running a RemoteUpdate

If a RemoteUpdate is available for your tumble dryer, it will be displayed automatically when the Supervisor level is open.

You can choose to start the RemoteUpdate immediately or wait until later. If you select “Start later”, the prompt to run the RemoteUpdate will be displayed again the next time you switch on the dryer.

The RemoteUpdate can take several minutes.

Please note the following information about the RemoteUpdate function:

- You will only receive a message when a RemoteUpdate is available.
- Once a RemoteUpdate has been installed, it cannot be undone.
- Do not switch off the tumble dryer during a RemoteUpdate. Otherwise, the RemoteUpdate will be aborted and will not be installed.

SmartGrid

(only available in selected countries)

The SmartGrid setting is only visible if a network has been set up and activated. You can use this function to integrate your tumble dryer into building energy management systems.

Supervisor level

Machine parameters

Open source licences

You can view information at this point.

Copyright and licences for operating and control software

For the purpose of operating and controlling the machine, Miele uses proprietary or third-party software that is not covered by open source licensing terms. These items of software/software components are protected by copyright. The copyright powers of Miele and third parties must be respected.

In addition, the machine contains software components which are distributed under open source licensing terms. You can access these open source components along with the associated copyright notices, copies of the valid licensing terms and any further information in the machine under the menu option [Settings | Machine parameters | Legal information | Open source licences](#). The liability and warranty arrangements for the open source licences displayed at this location only apply in relation to the respective rights holders.

Payment system

The XCI-AD or XCI box accessory unit is required to connect a payment system.

Settings for the payment system

If you wish to change the settings later, please contact Miele.

You would like to connect a payment system.

- No payment system
 - The next settings are skipped and initial commissioning can be completed.
- Programme operation
 - The machine is operated using a payment system. The user purchases a wash programme.
- Time operation
 - The tumble dryer is coin-operated using a time meter. The user purchases a time-controlled programme.
- Timed operation with pulse counter
 - For payment systems where the usage time is increased each time a coin is inserted.
- COM module
 - The machine is operated by a central control unit.

F-back signal to pay system

Setting the feedback signal for the payment system.

- Factory setting: Off
- At the end of the programme

The feedback signal is sent at the end of the programme.
- Release of the start button

The feedback signal is sent when the start button is released.
- Start and end of the programme

The feedback signal is sent at the start and the end of the programme.
- During the running programme

The feedback signal is sent continuously from the start until the end of the programme.
- Process air temperature

The feedback signal is sent dependent on the temperature if the temperature of the process air is equal to or higher than the set temperature.

Payment system lock

To avoid tampering, a programme lock can be set up in programme operation. If the lock is applied, the programme is interrupted and payment credit is lost as soon as the door is opened.

To offer the possibility to add laundry, the time when the lock activates can be adjusted.

- Factory setting: Off
- As soon as the programme starts
- 1-5 minutes after the start of the programme

Clear paid signal

The "Paid" signal in coin mode can be applied until the end of the programme or discarded after 5 minutes if the programme has not been started.

- Factory setting: Off
- On

Supervisor level

Debounce time

In coin mode, the debounce time for the minimum payment signal that must be applied can be adjusted.

- Factory default: Short
For payment systems where the falling coin generates the paid pulse.
- Long
For central control units on a 230 V basis.

Pay system override time

Setting the transition signal for the payment system. Security time margin to prevent the payment system being tampered with.

The override time can be set or switched off in increments of one minute from 30 minutes up to 4 hours. If the programme does not end within the transition period, the setting in the payment system is reset. The programme is cancelled.
Factory setting: 3 hours

Duration Cool air

The programme running time can be adjusted.

A time of between 10 minutes and 2 hours can be set in five-minute intervals.
Factory setting: 2 hours

Duration Warm air

The programme running time can be adjusted.

A time of between 20 minutes and 2 hours can be set in five-minute intervals.
Factory setting: 2 hours

FOC programmes

In coin mode, you can decide whether the *Timed drying cool air* programme can be used for free.

- Factory setting: Off
- On

Miele Australia Pty. Ltd.

ACN 005 635 398

ABN 96 005 635 398

Melbourne:

Level 4, 141 Camberwell Road

Hawthorn East, VIC 3123

Telephone: 1300 731 411

service.prof@miele.com.au

**www.miele.com.au/professional
professional.sales@miele.com.au**

Miele New Zealand Limited

IRD 98 463 631

8 College Hill

Freemans Bay

Auckland 1011

New Zealand

Telephone: 0800 4 MIELE

(0800 464 353)

www.miele.com.au/professional

professional.sales@miele.com.au



Miele Global Headquarters: Miele & Cie. KG
Carl-Miele-Straße 29, 33332 Gütersloh, Germany

PDR 908 EL

en-AU, NZ

M.-Nr. 12 449 960 / 00